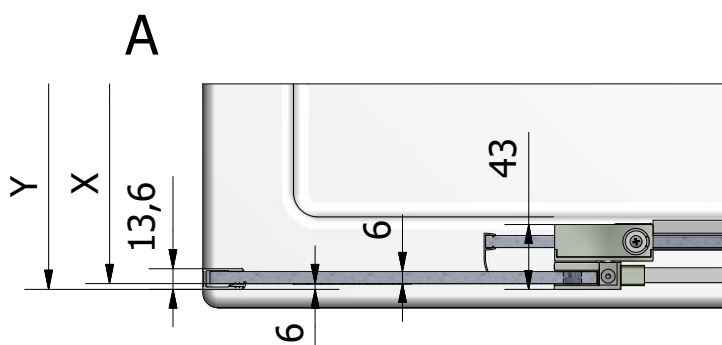
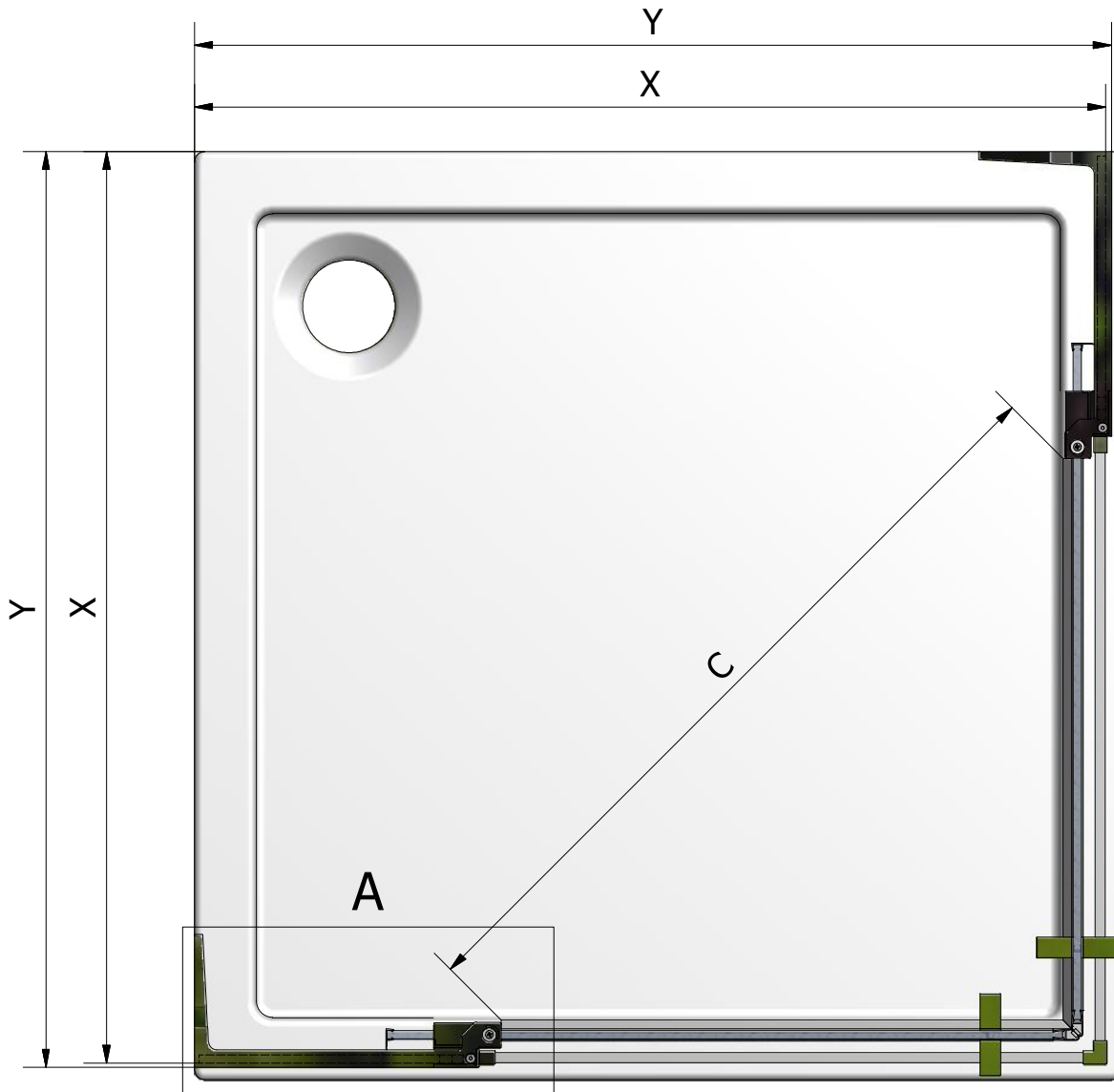


# GDO1N + GDO1N



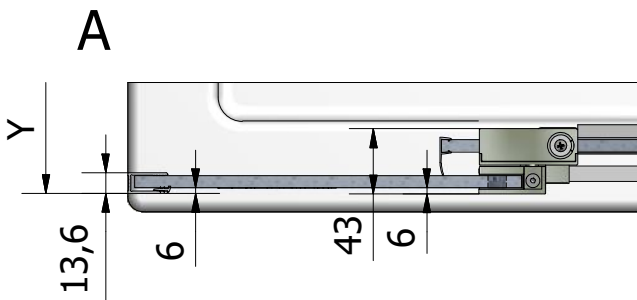
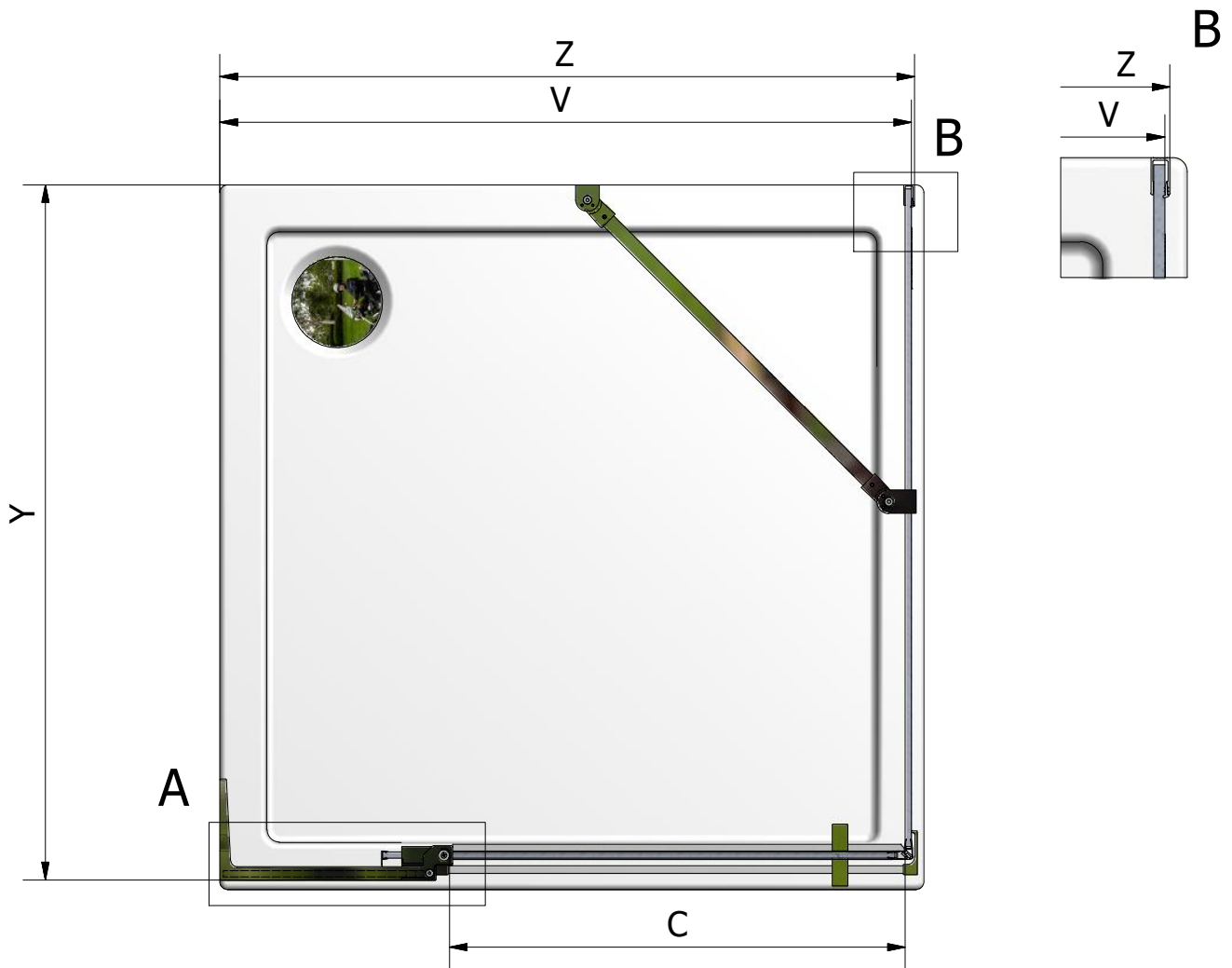


# GDO1N+GDO1N



GDO1N + GDO1N			
Size [mm]	X	Installation size Y [mm]	Entrance size C [mm]
700-800	679-779	685-785	510-650
800-900	779-879	785-885	650-790
900-1000	879-979	885-985	790-930
1000-1100	979-1079	985-1085	930-1070
1100-1200	1079-1179	1085-1185	1070-1210

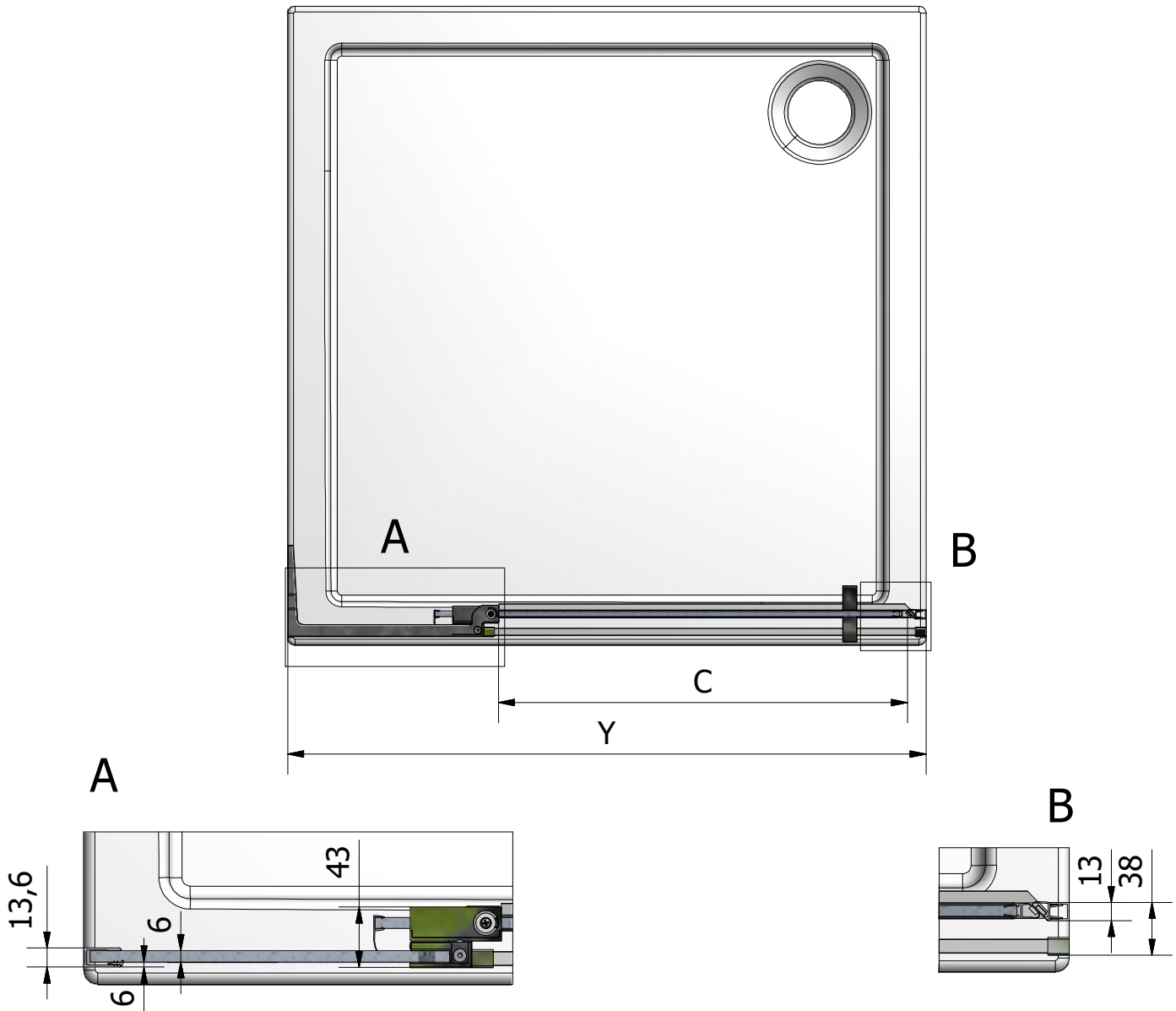
# GDO1N+GBN



GBN	
Size [mm]	Installation size Y [mm]
800	775-785
900	875-885
1000	975-985

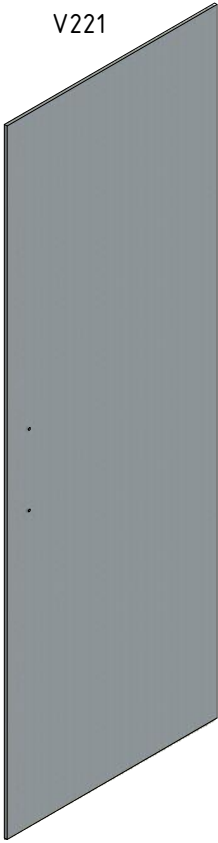
GDO1N+GBN			
Size [mm]	Installation size V [mm]	Z	Entrance size C
700-800	685-785	691-791	380-480
800-900	785-885	791-891	480-580
900-1000	885-985	891-991	580-680
1000-1100	985-1085	991-1091	680-780
1100-1200	1085-1185	1091-1191	780-880

# GDO1N+GZ



GDO1N + GZ		
Size [mm]	Y	Entrance size C [mm]
700-800	685-785	360-460
800-900	785-885	460-560
900-1000	885-985	560-660
1000-1100	985-1085	660-760
1100-1200	1085-1185	760-860

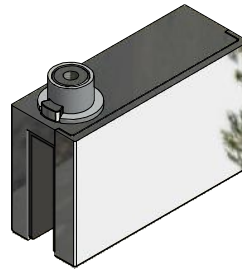
1. 1x  
V221



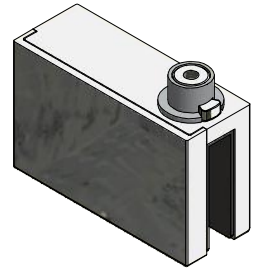
2. 1x  
V220



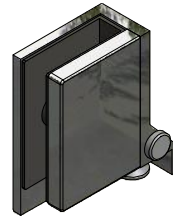
3. 1x LEFT  
MA7891



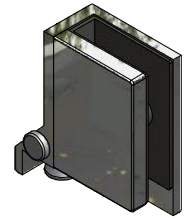
4. 1x RIGHT  
MA7890



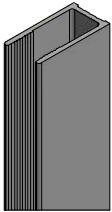
5. 1x LEFT  
MA7893



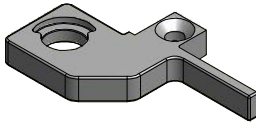
6. 1x RIGHT  
MA7892



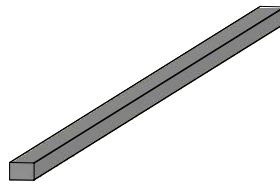
7. 1x  
MA7187



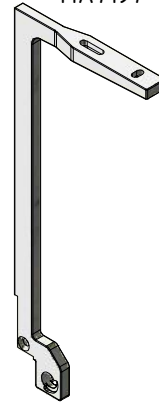
8. 1x  
MA7198



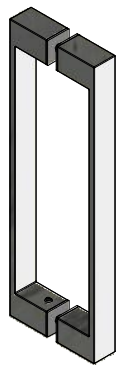
9. 1x  
MA7203



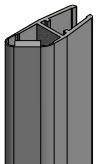
10. 1x  
MA7197



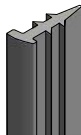
11. 1x  
MA7196



12. 1x  
MA7185



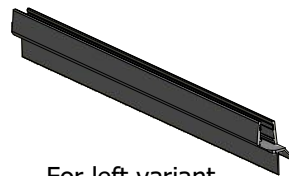
13. 1x  
MA7186



14. 1x  
MA7193

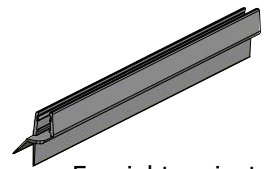


15. 1x  
MA7195



For left variant

16. 1x  
MA7194



For right variant

17. 1x  
MA7209



18. 1x  
MA7211

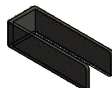


USE ONLY FOR  
GDO1N+GDO1N  
VARIANT

19. 2x  
MA7210



20. 1x  
MA7215



21. 5x  
M0511



22. 5x  
M0811



23. 4x  
M0827

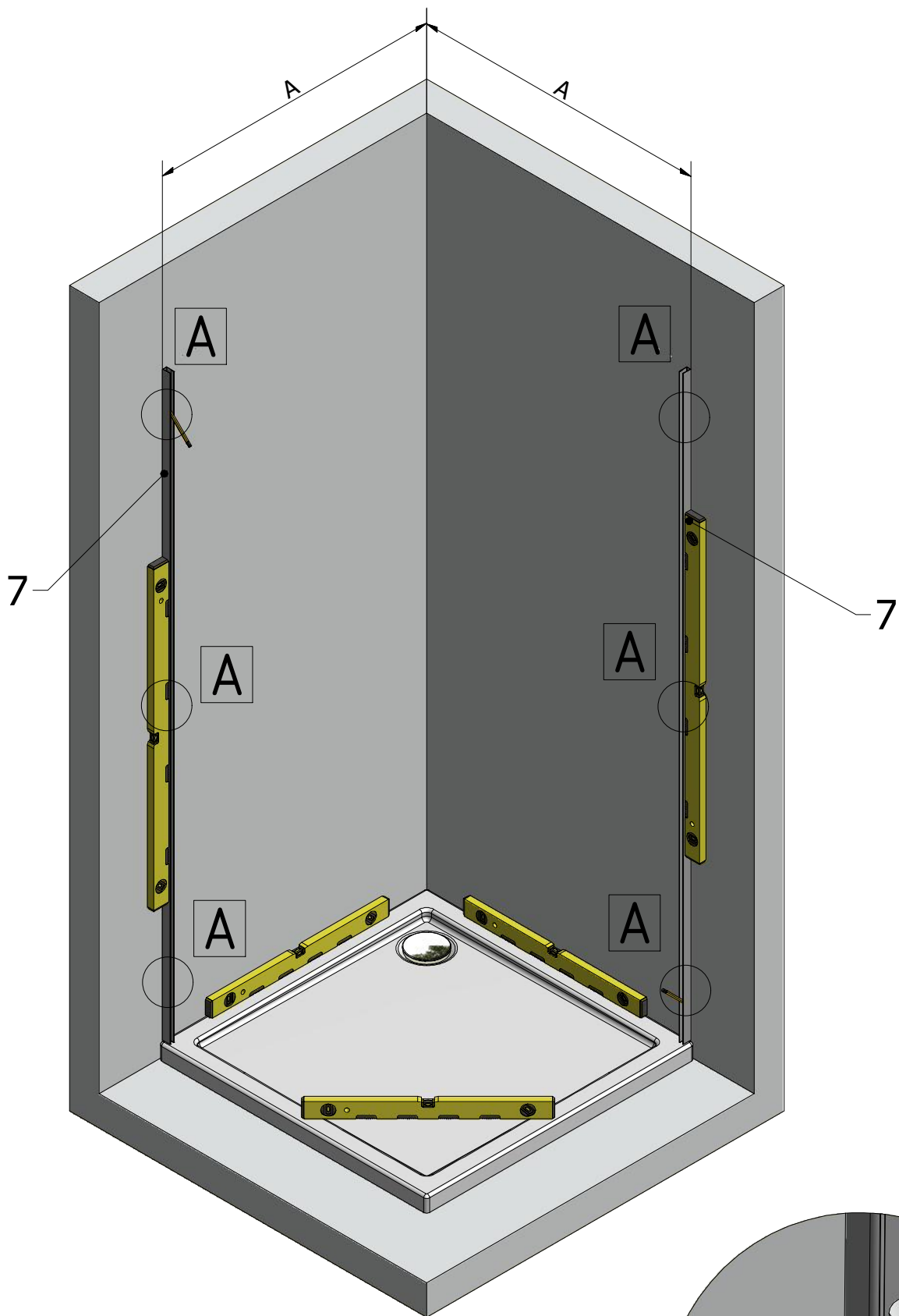


24. 2x  
MA7222



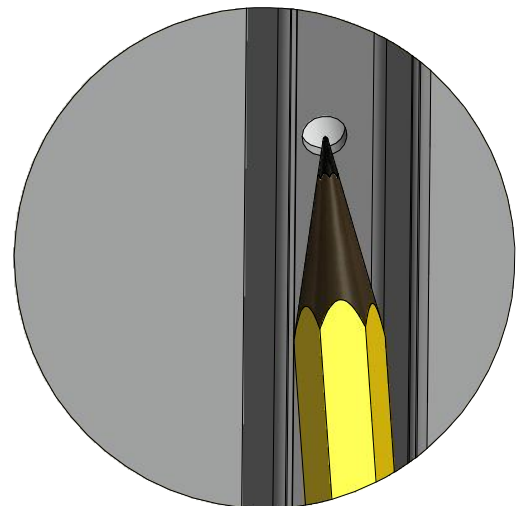
25. 2x  
MA7224

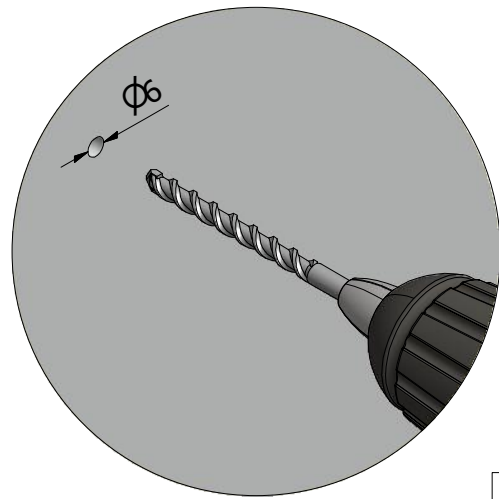
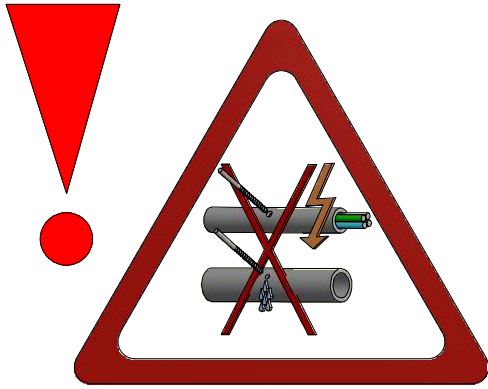




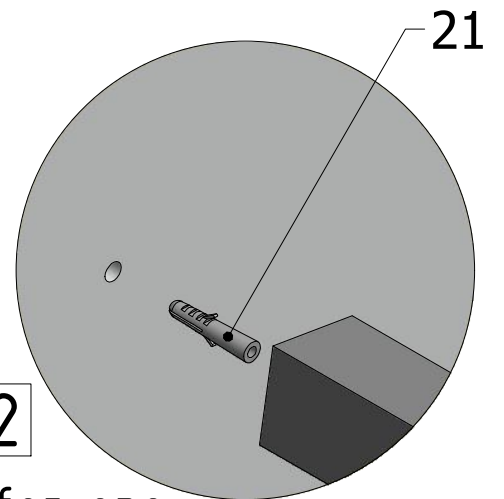
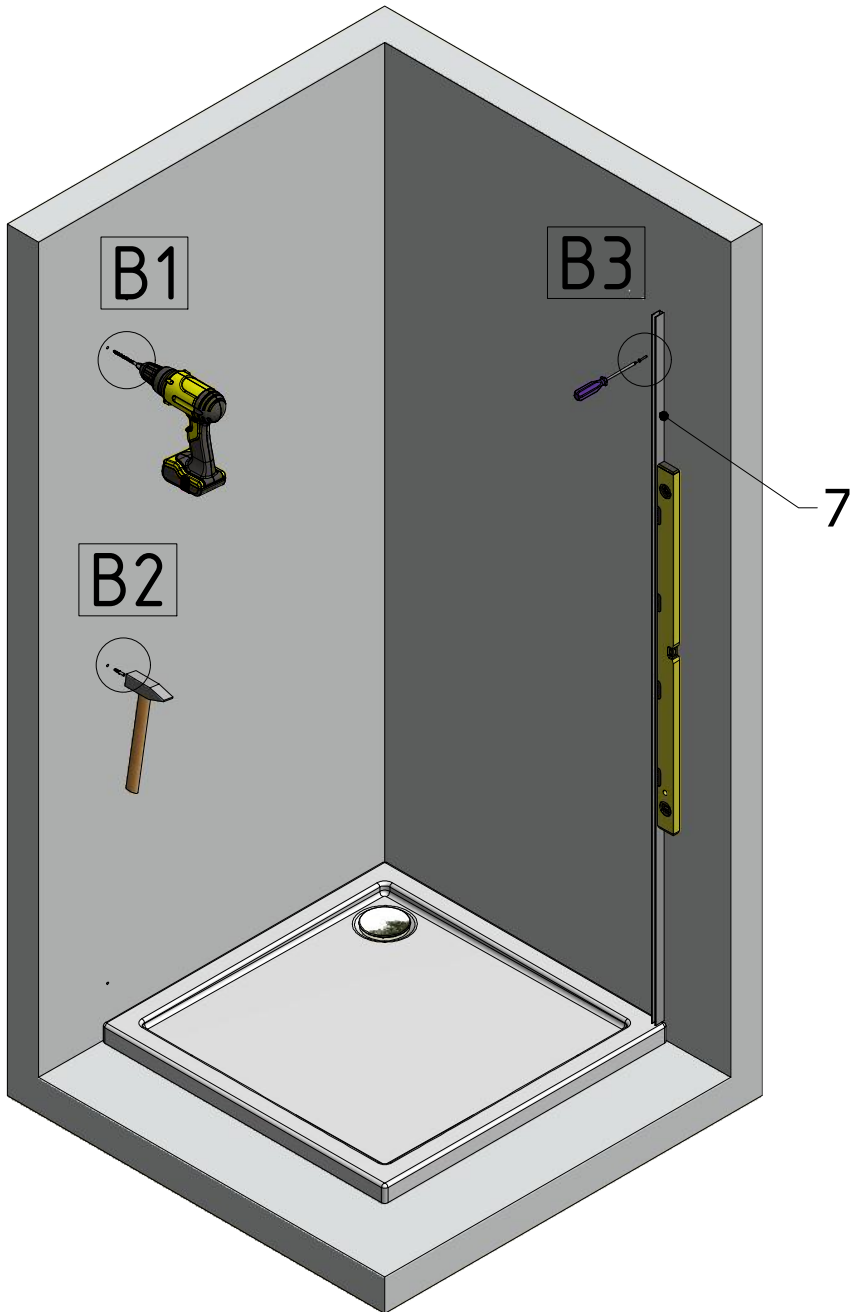
A

3x for one  
GD01N set

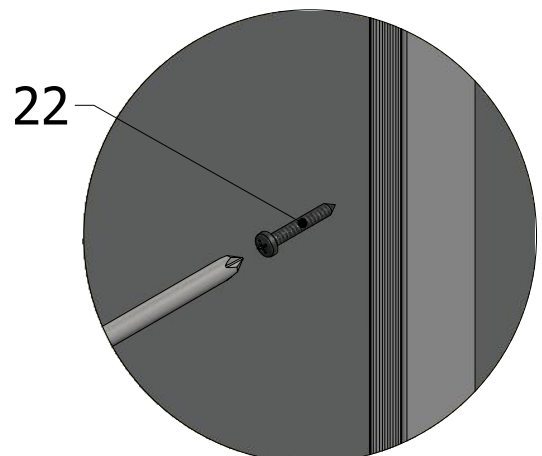




3x for one **B1**  
GD01N set

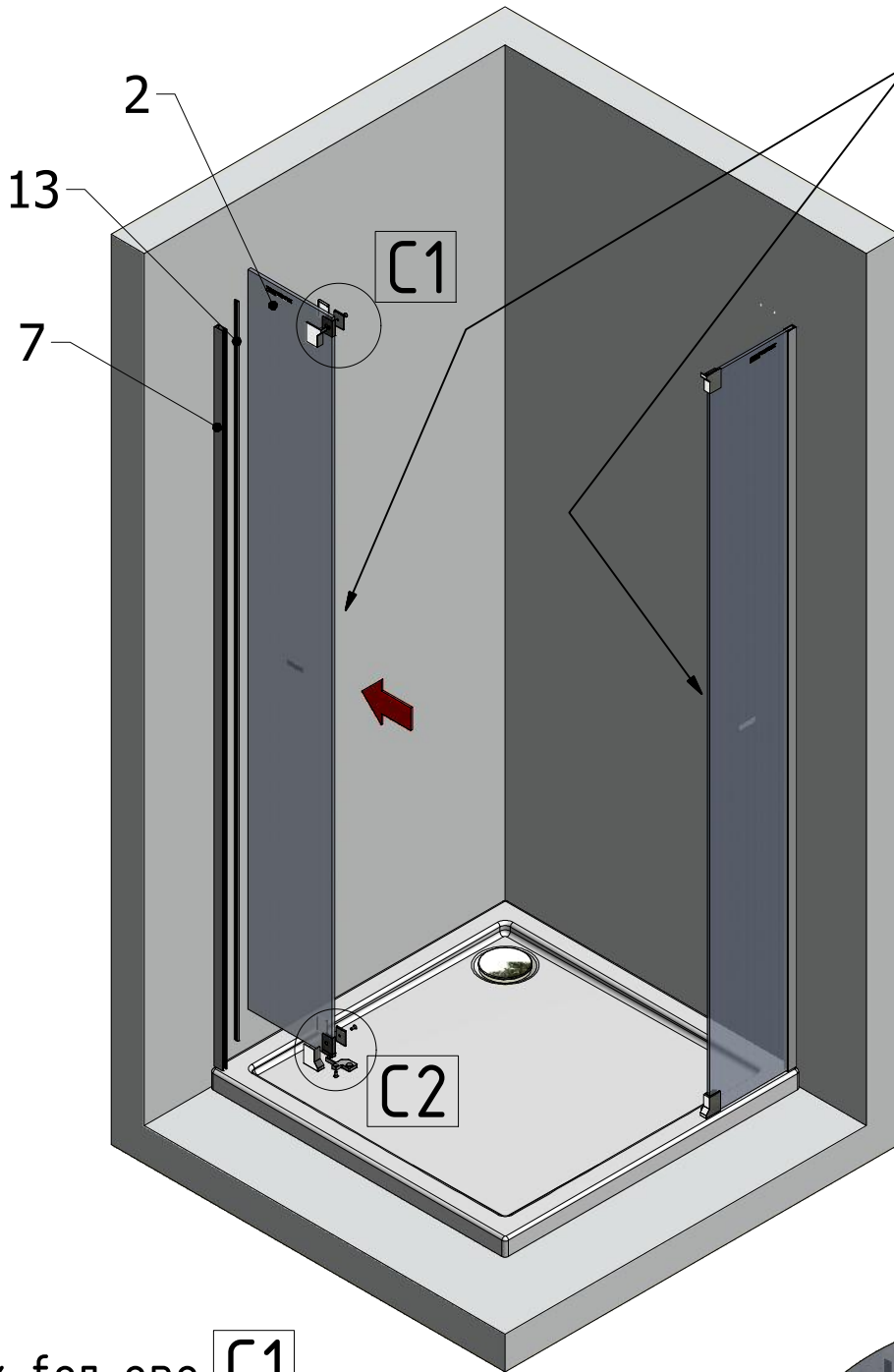


**B2**  
3x for one  
GD01N set



**B3**  
3x for one  
GD01N set



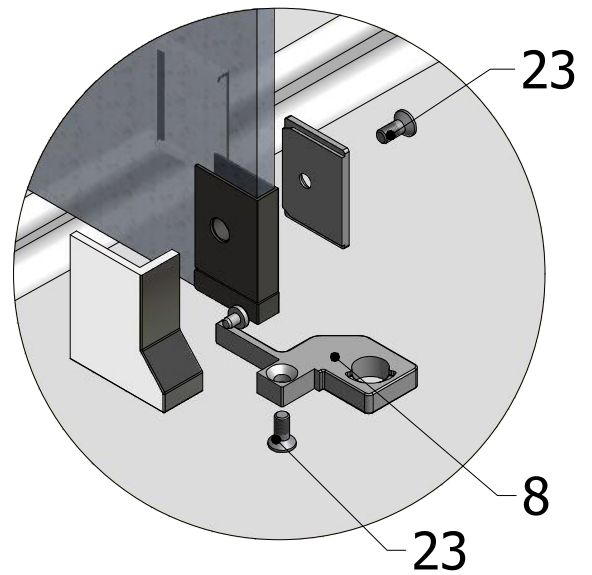
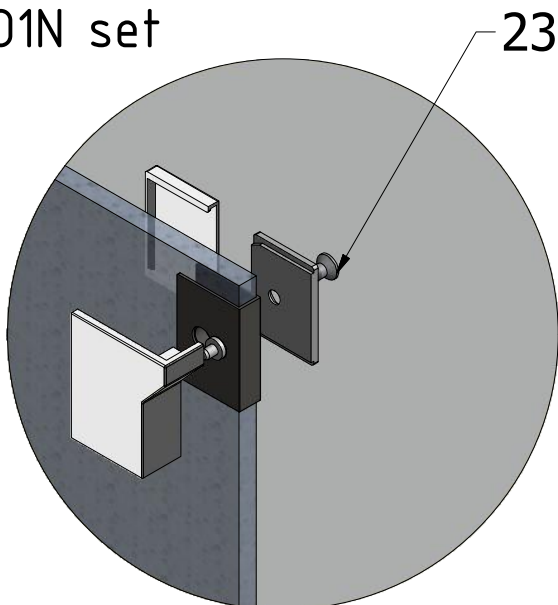


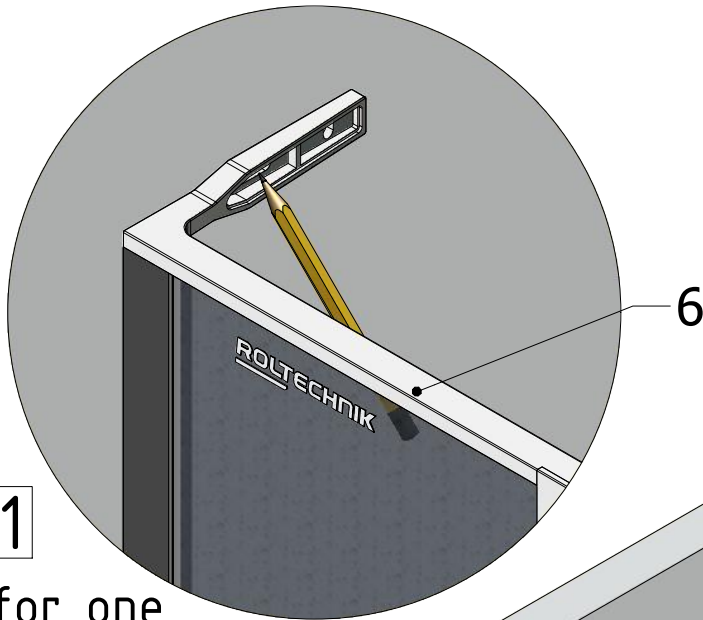
ROLSHIELD glass protection  
 (DE) Behandelten Seite (INNERE)  
 (FR) Face traitée (INTERIEUR)  
 (GB) Treated side (INTERIOR)  
 (CZ) Ošetřená strana (INTERIÉR)



1x for one **C2**  
 GD01N set

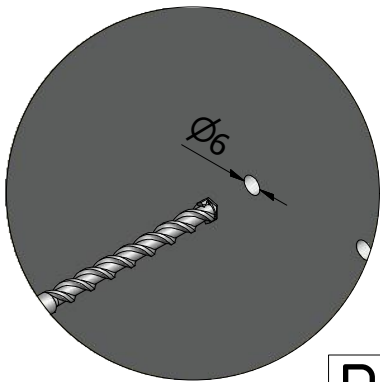
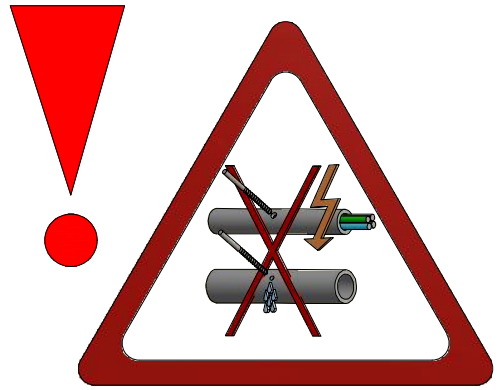
1x for one **C1**  
 GD01N set





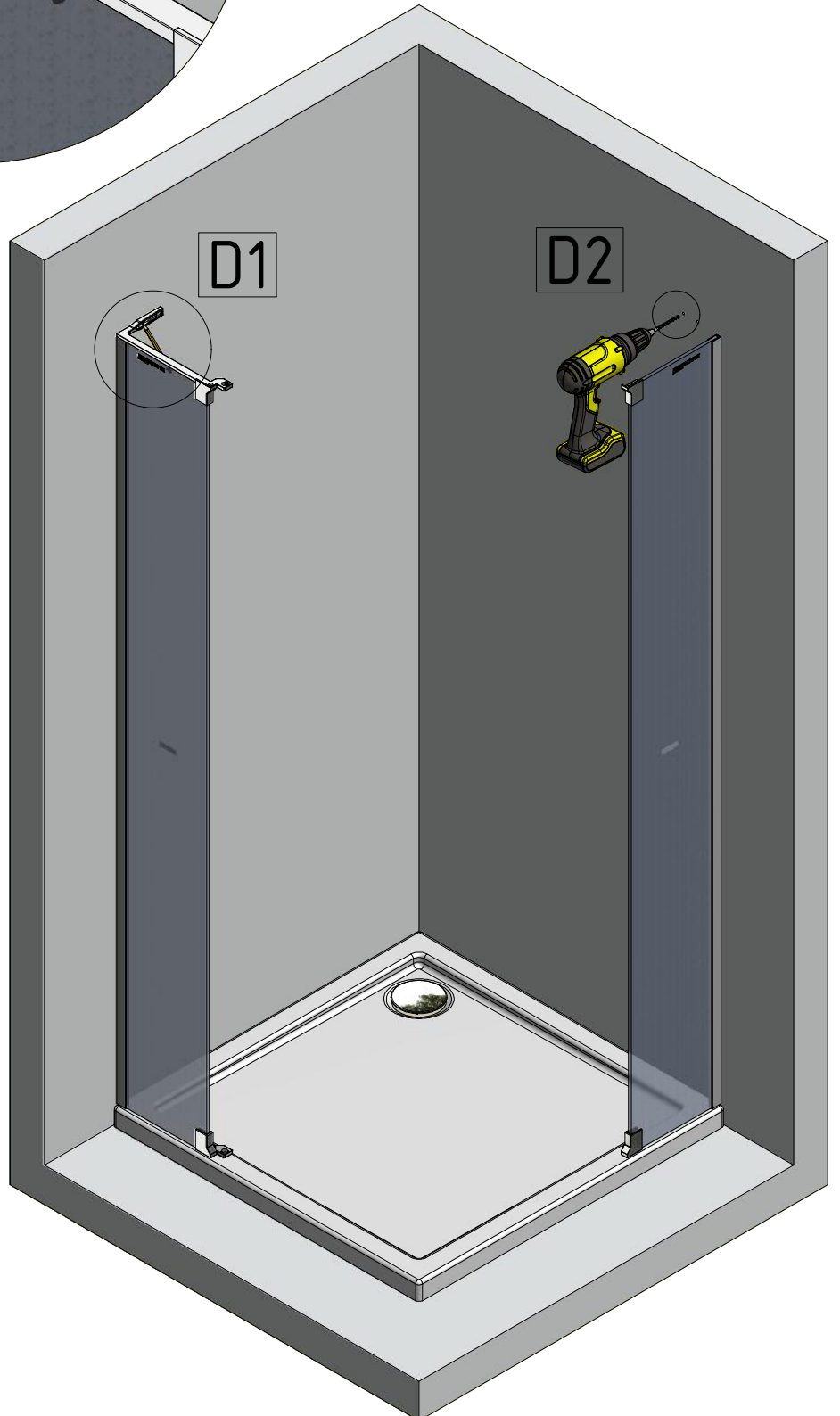
**D1**

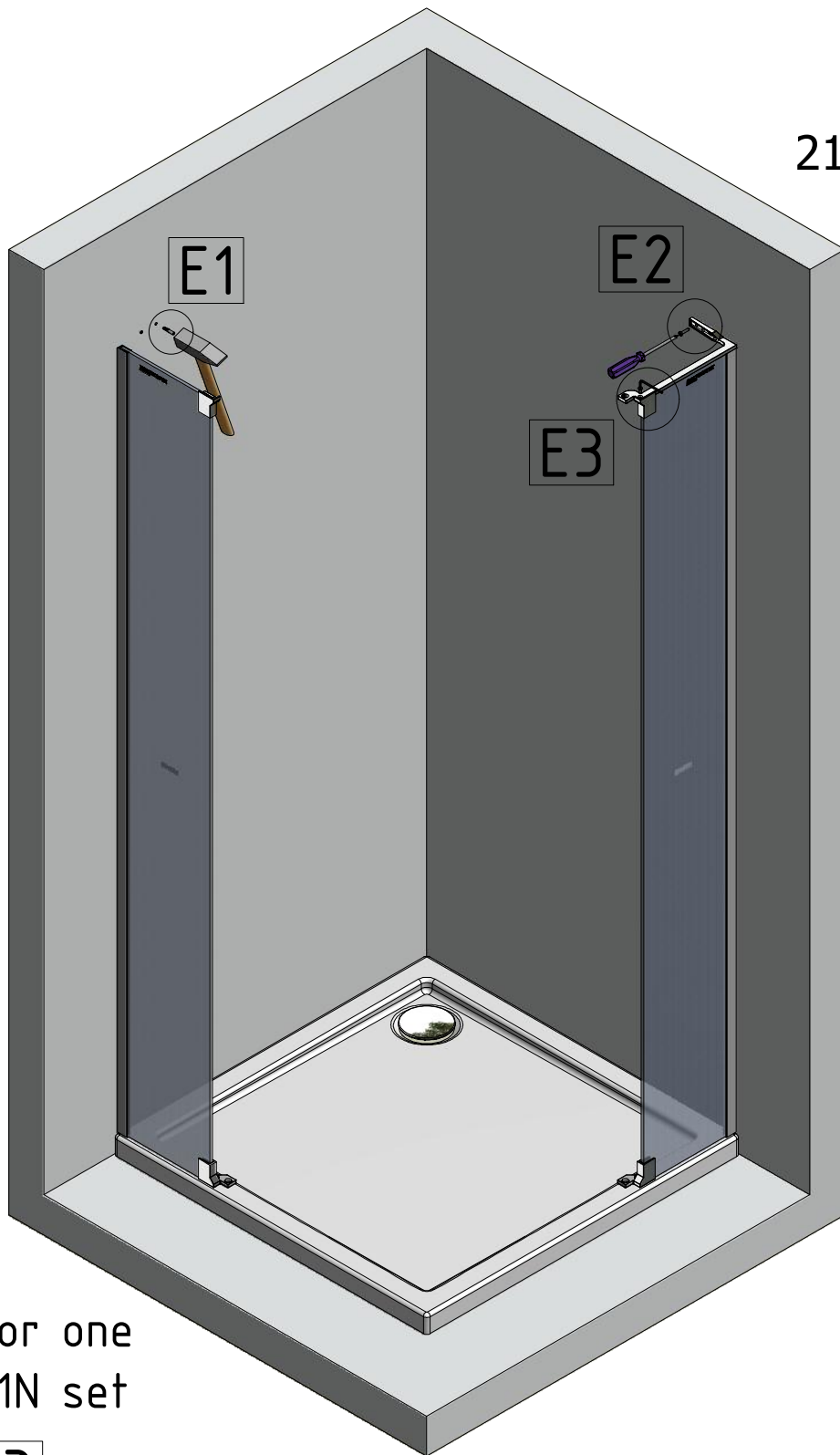
2x for one  
GD01N set



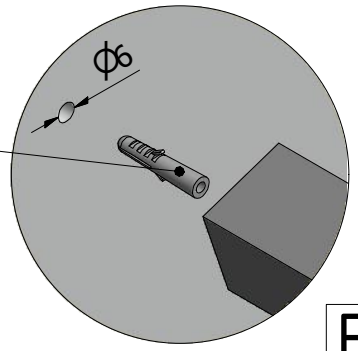
**D2**

2x for one  
GD01N set





21



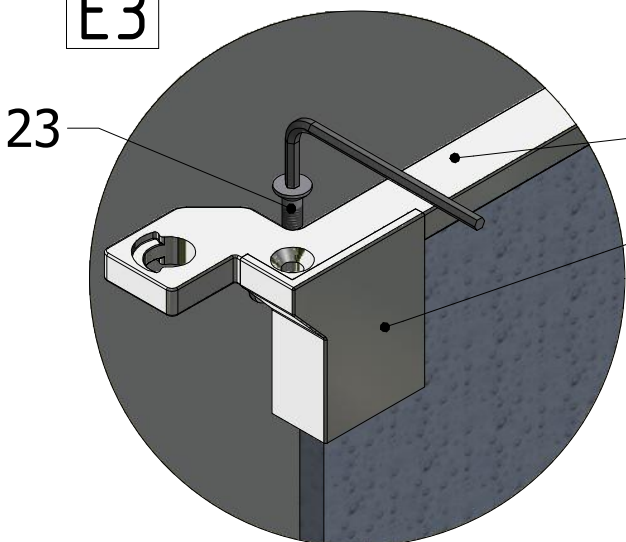
E1

2x for one  
GD01N set

1x for one  
GD01N set

2x for one  
GD01N set

E3



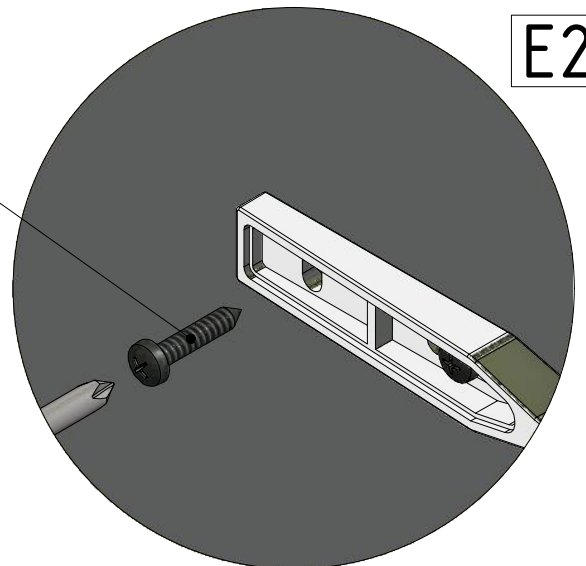
23

10

22

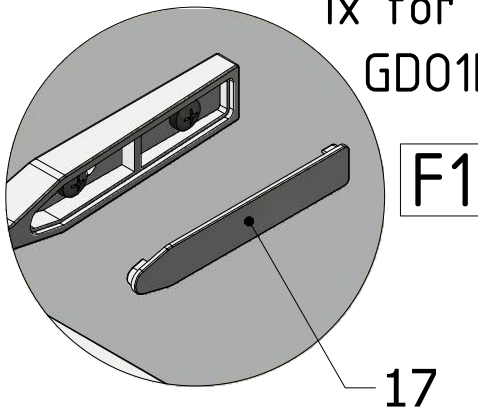
5(6)

E2

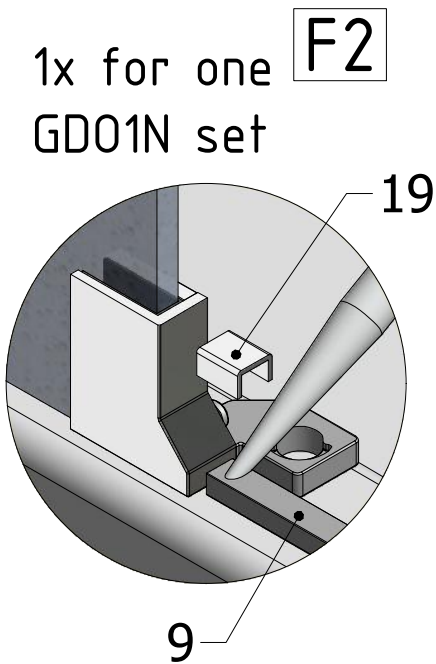


# GDO1N+GDO1N

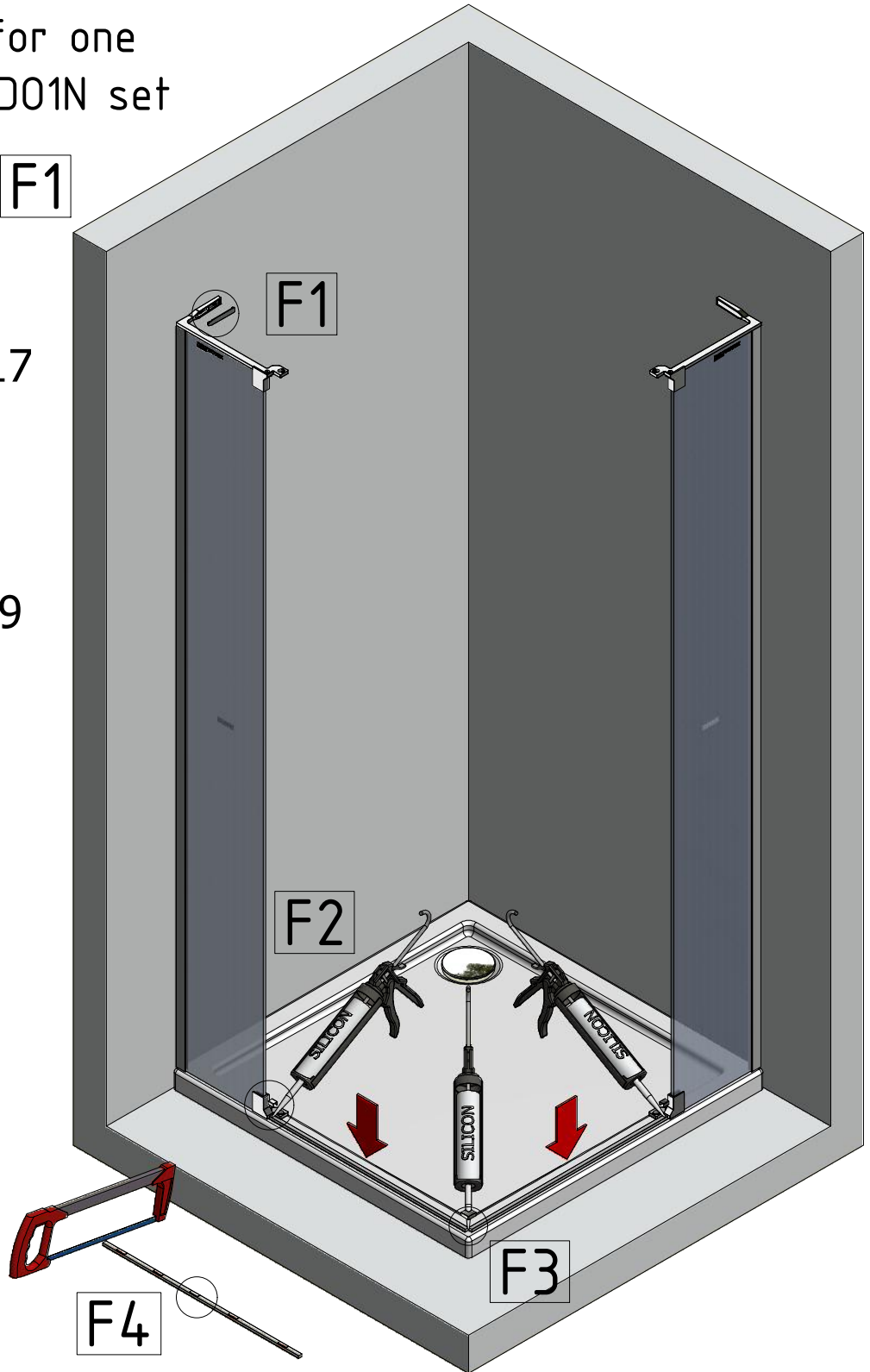
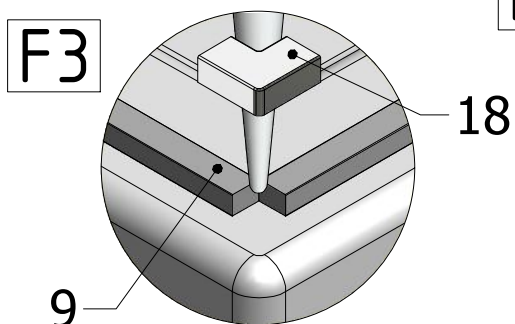
1x for one  
GDO1N set



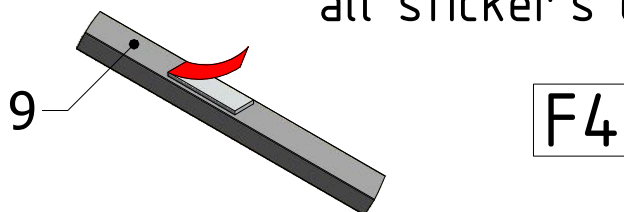
1x for one  
GDO1N set



Use only for  
2x GDO1N  
variant



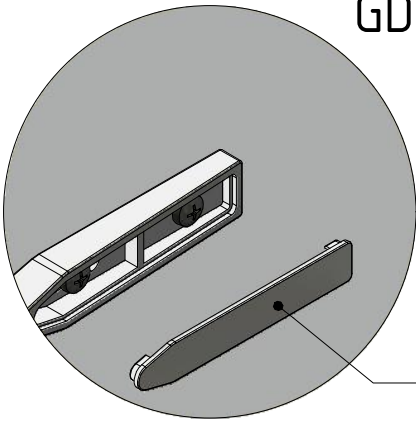
Before installing remove  
all sticker's cover



# GDO1N+GBN

1x for one  
GDO1N set

F1

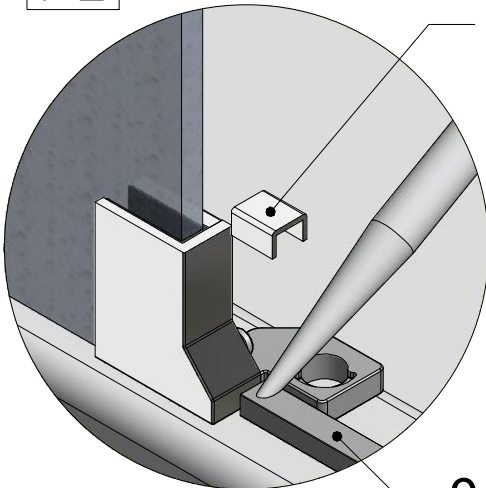


17

1x for one  
F2 GDO1N set

F2

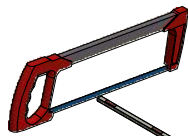
19



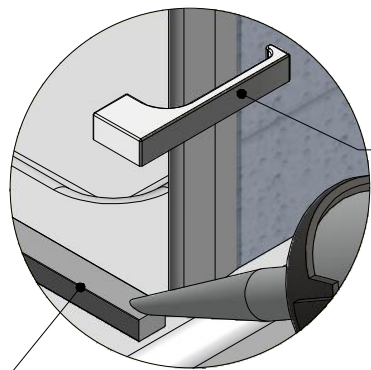
9

Use only for  
GDO1N +GBN  
variant

F3

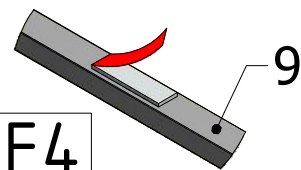


F4



9

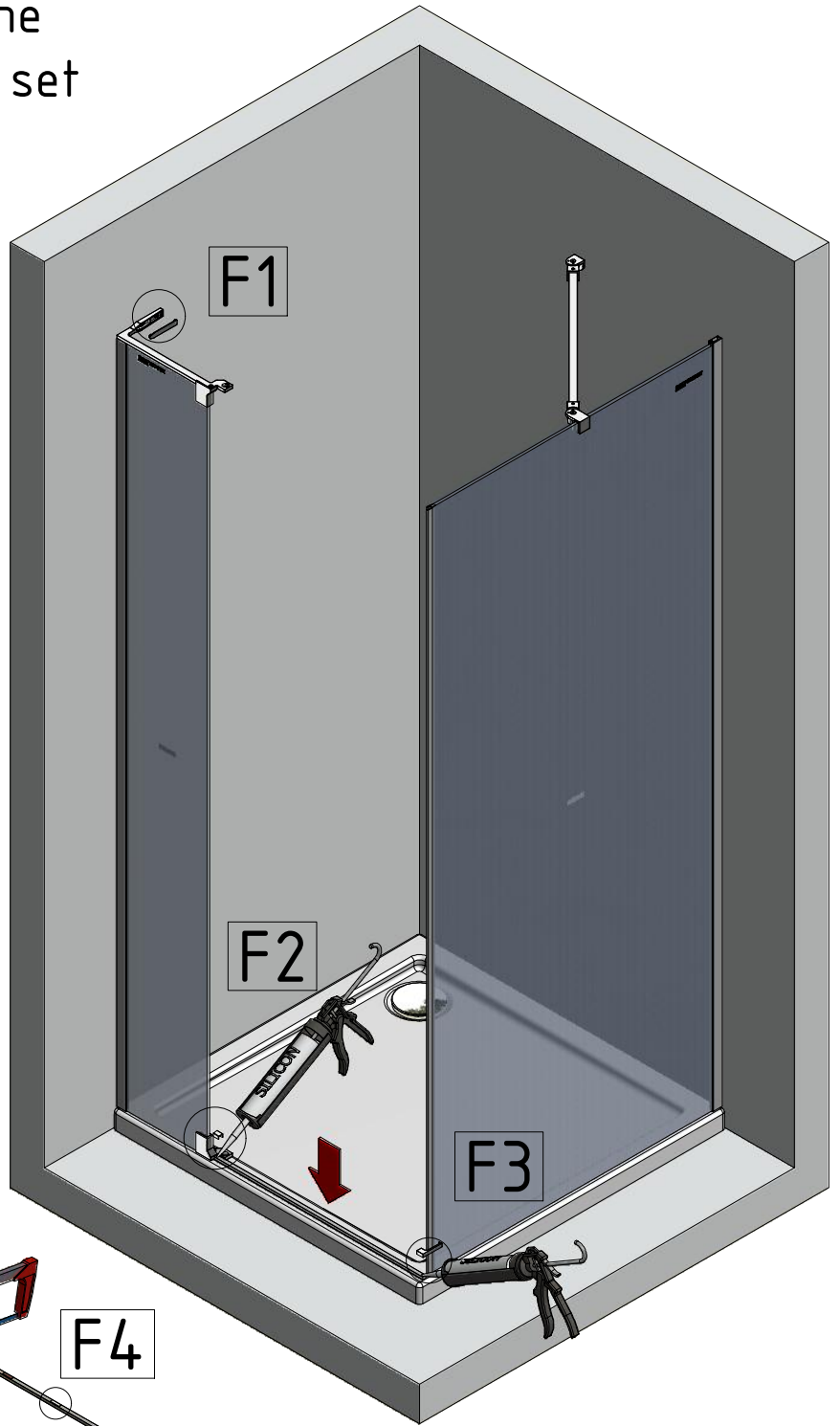
Part of GBN  
Use only for  
GDO1N+GBN  
variant



F4

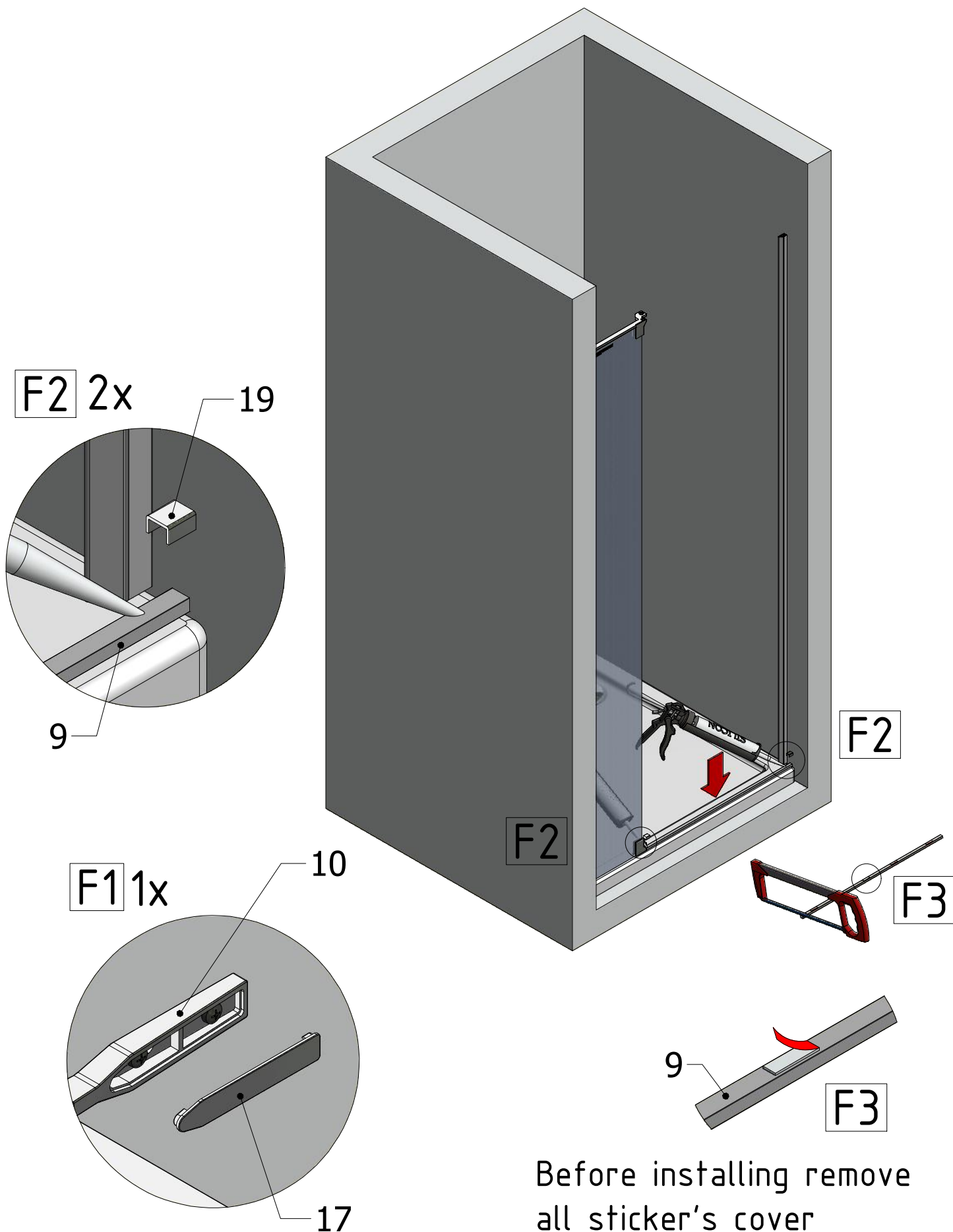
9

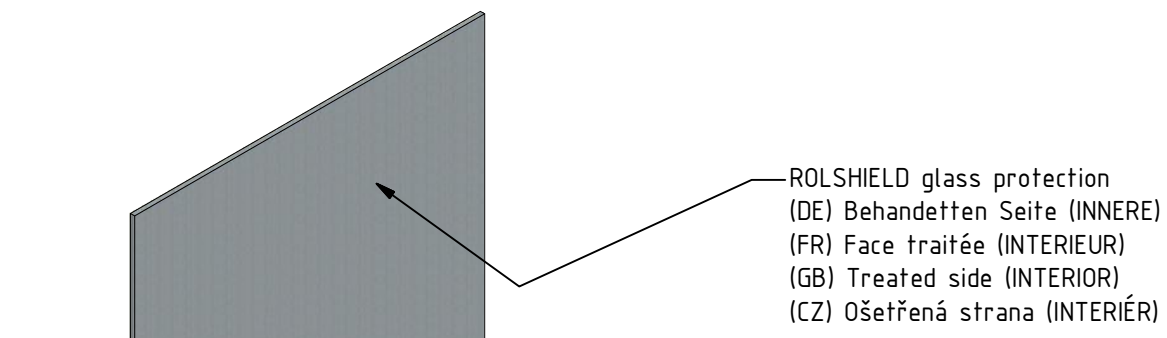
Before installing remove  
all sticker's cover



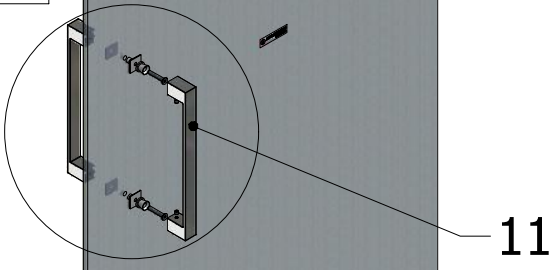


# GDO1N+GZ



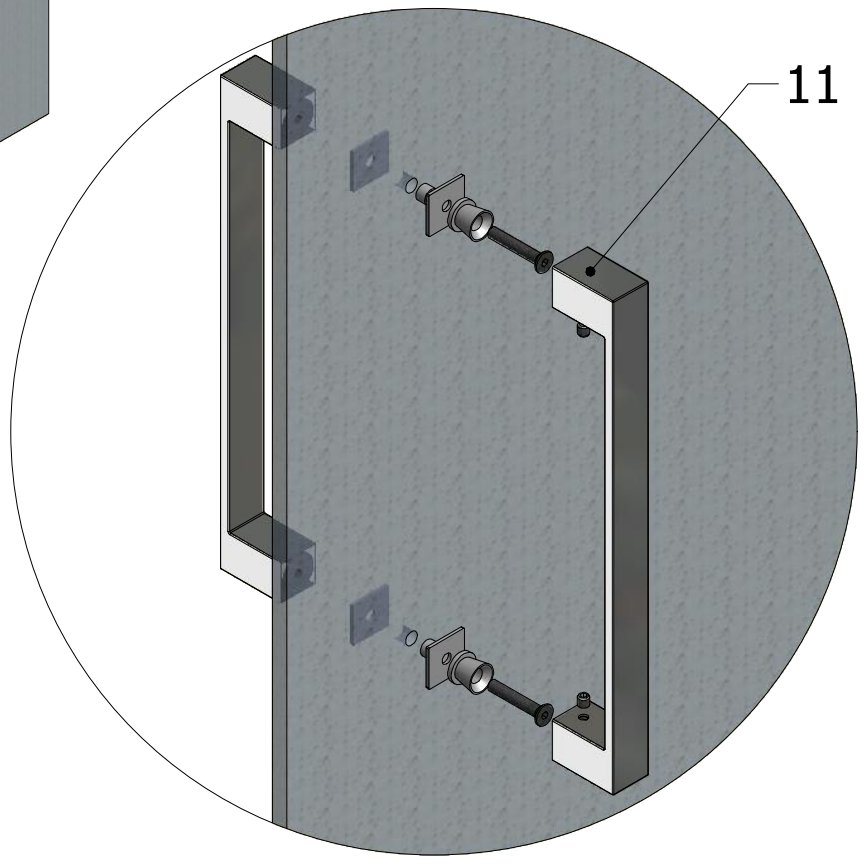


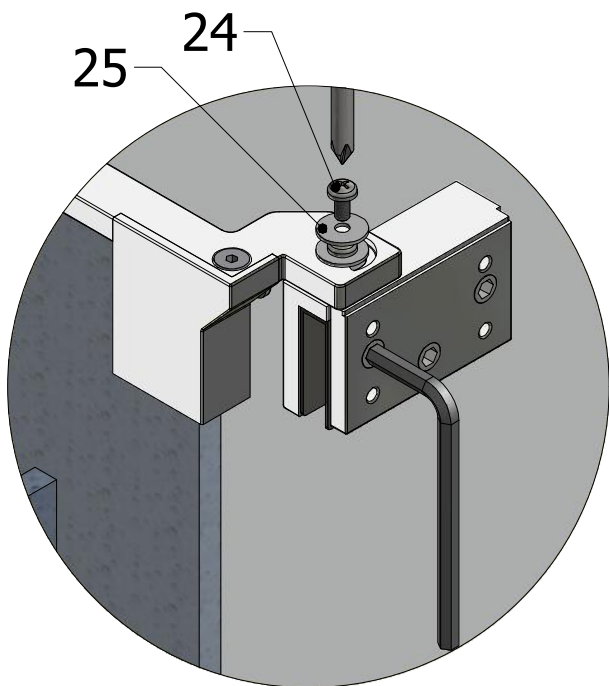
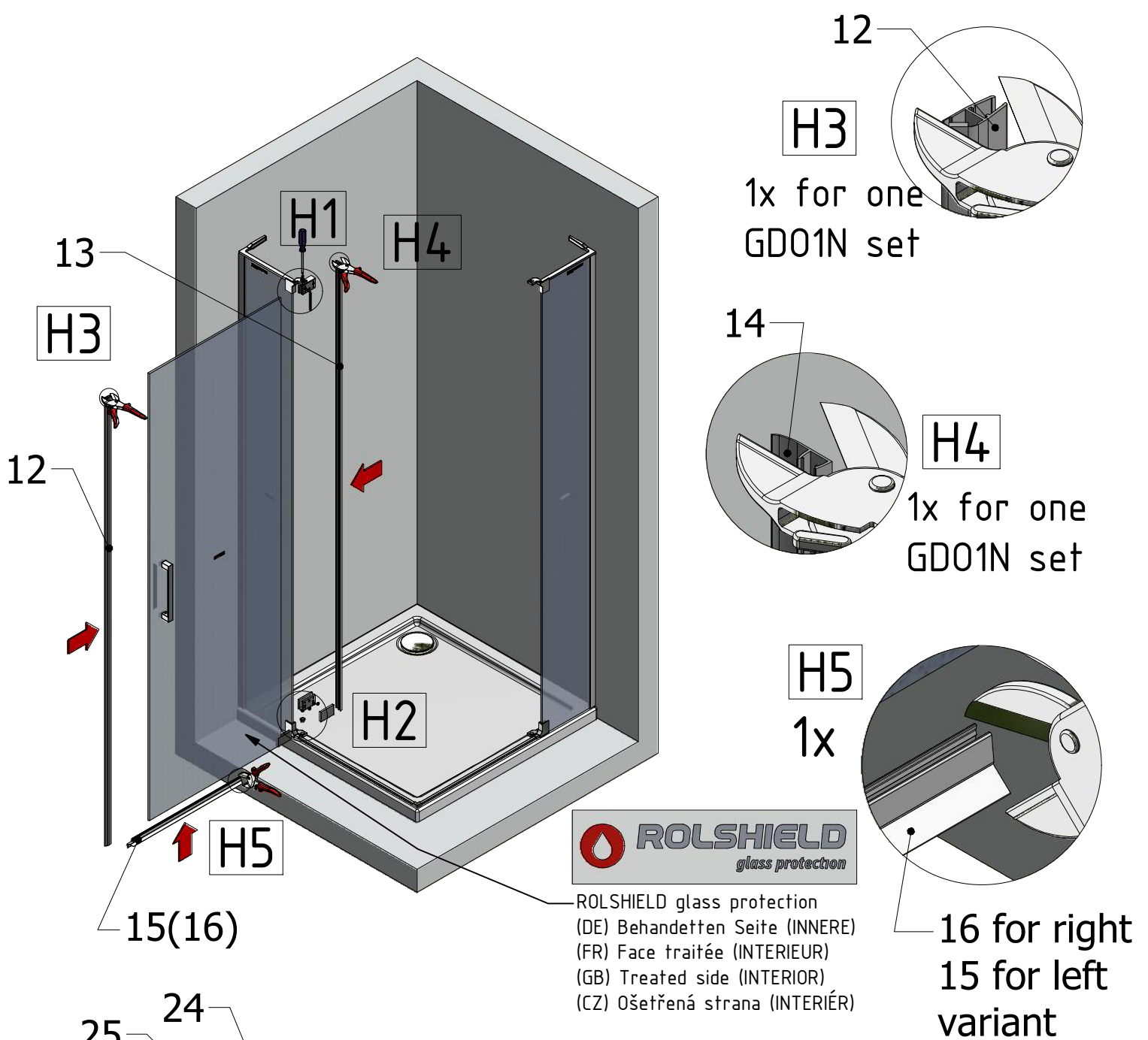
G1



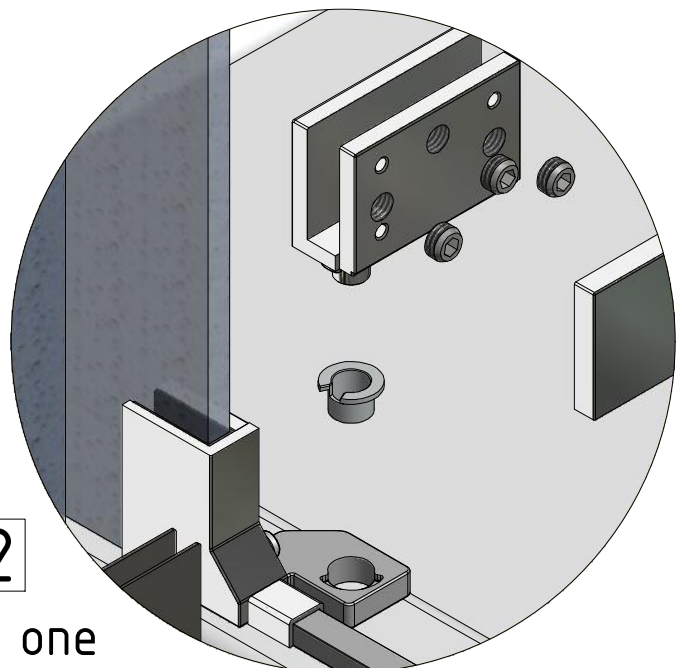
1x for one  
 GD01N set

G1





**H1**  
1x for one GD01N set



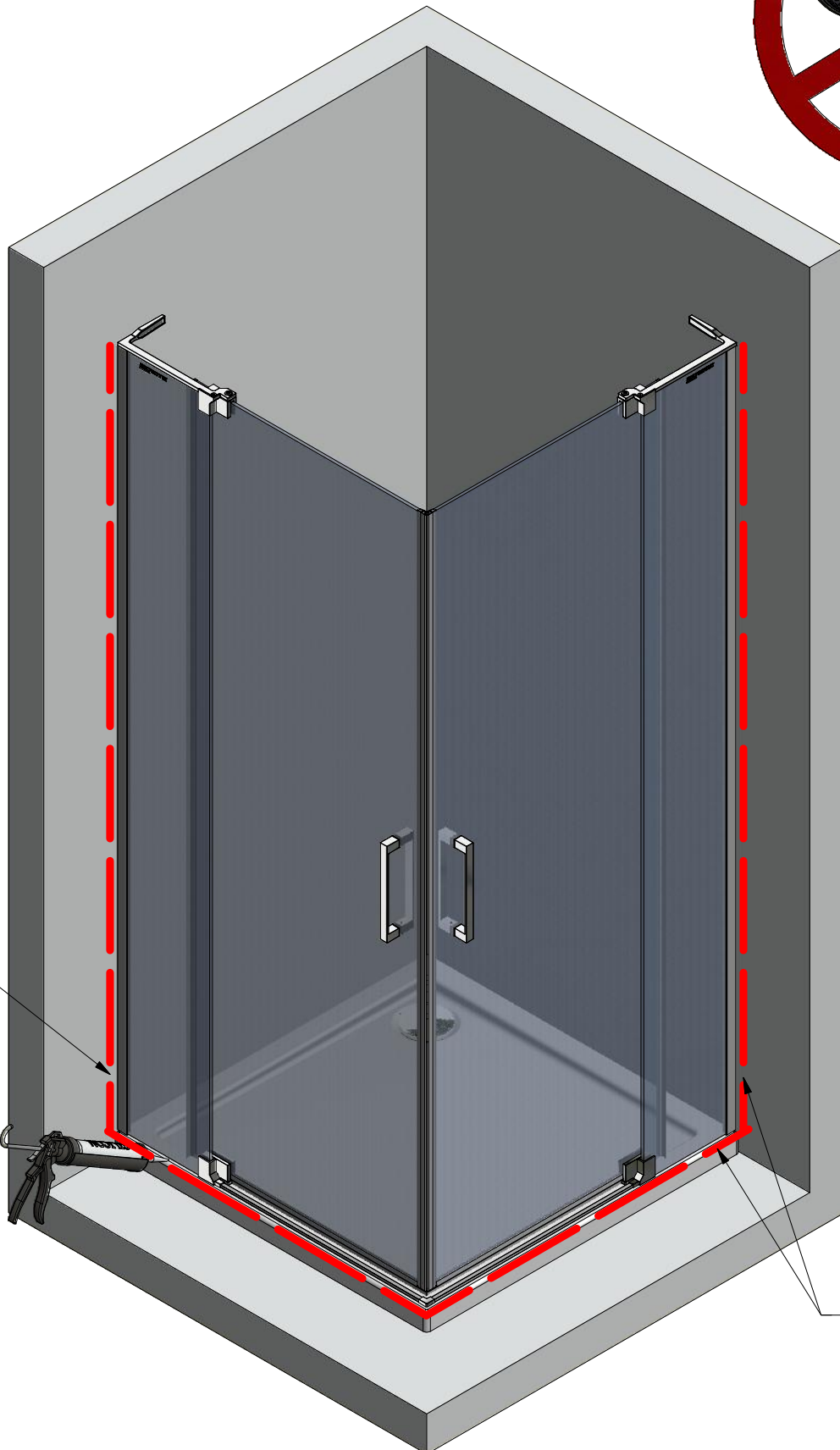
**H2**  
1x for one GD01N set



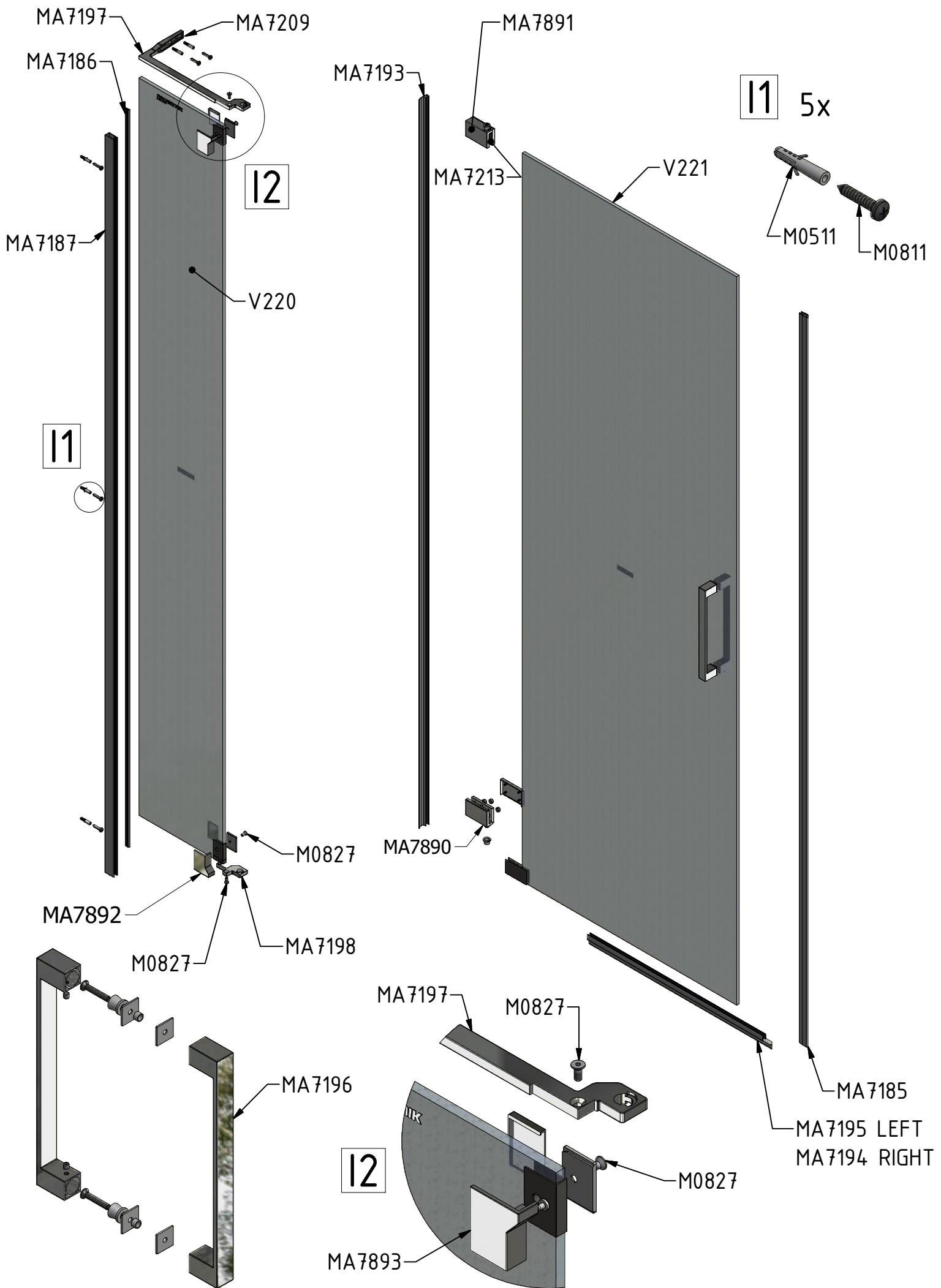
# GDO1N+GDO1N



SILICONE



SILICONE



V220	800;900;1000;1100;1200	Transparent	ND01-3621
V221	800	Transparent	ND01-3622
	900		ND01-3623
	1000		ND01-3624
	1100		ND01-3625
	1200		ND01-3626