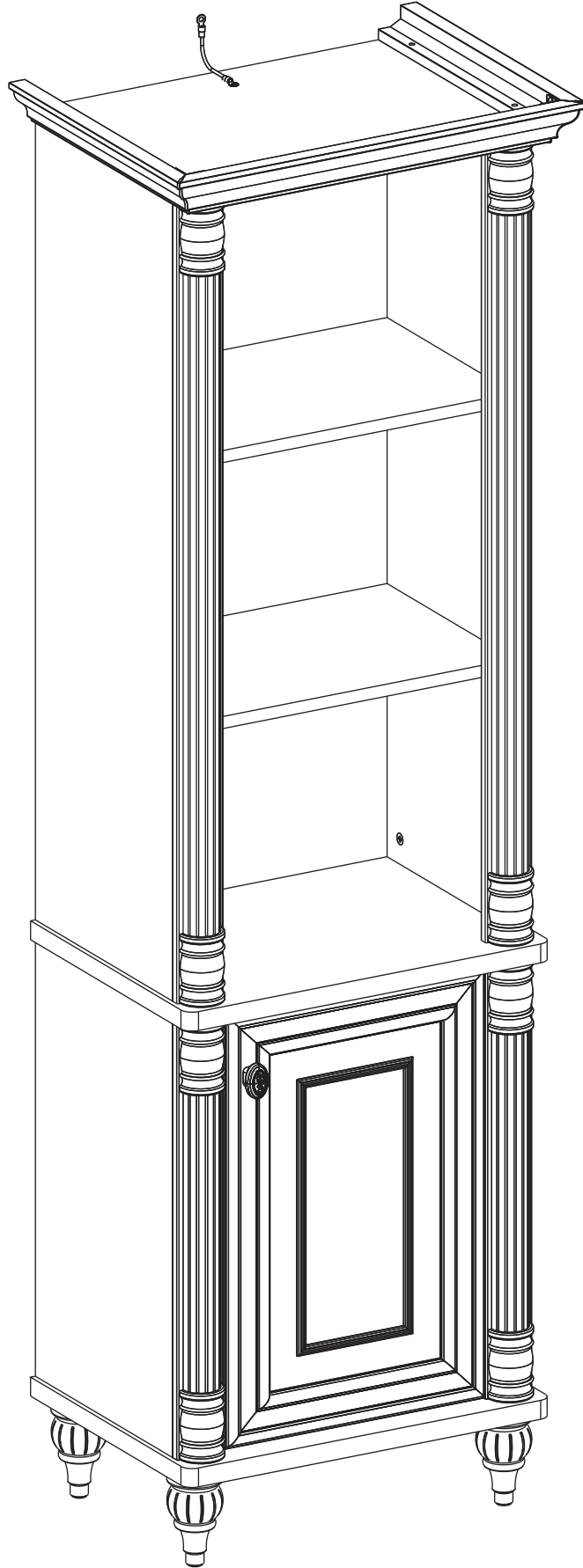
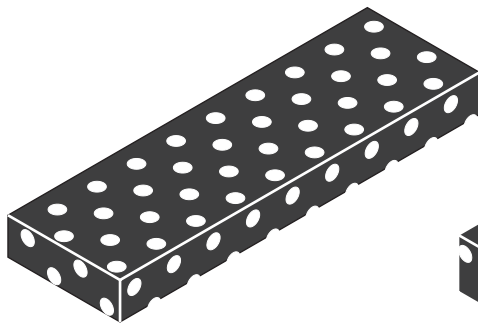
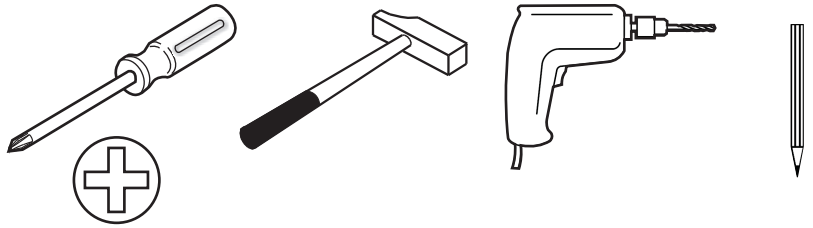
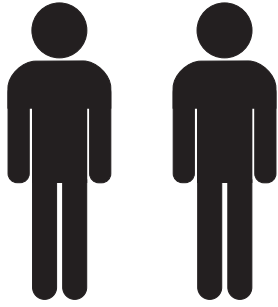
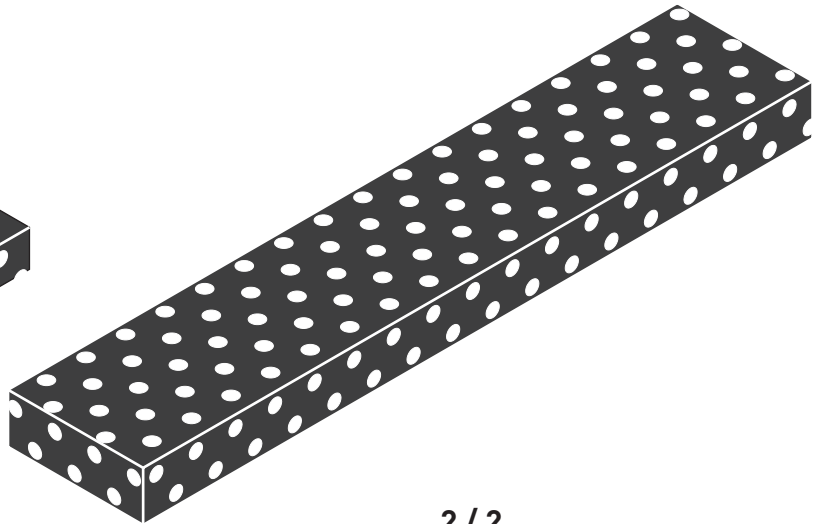


# 20.21.1502.00

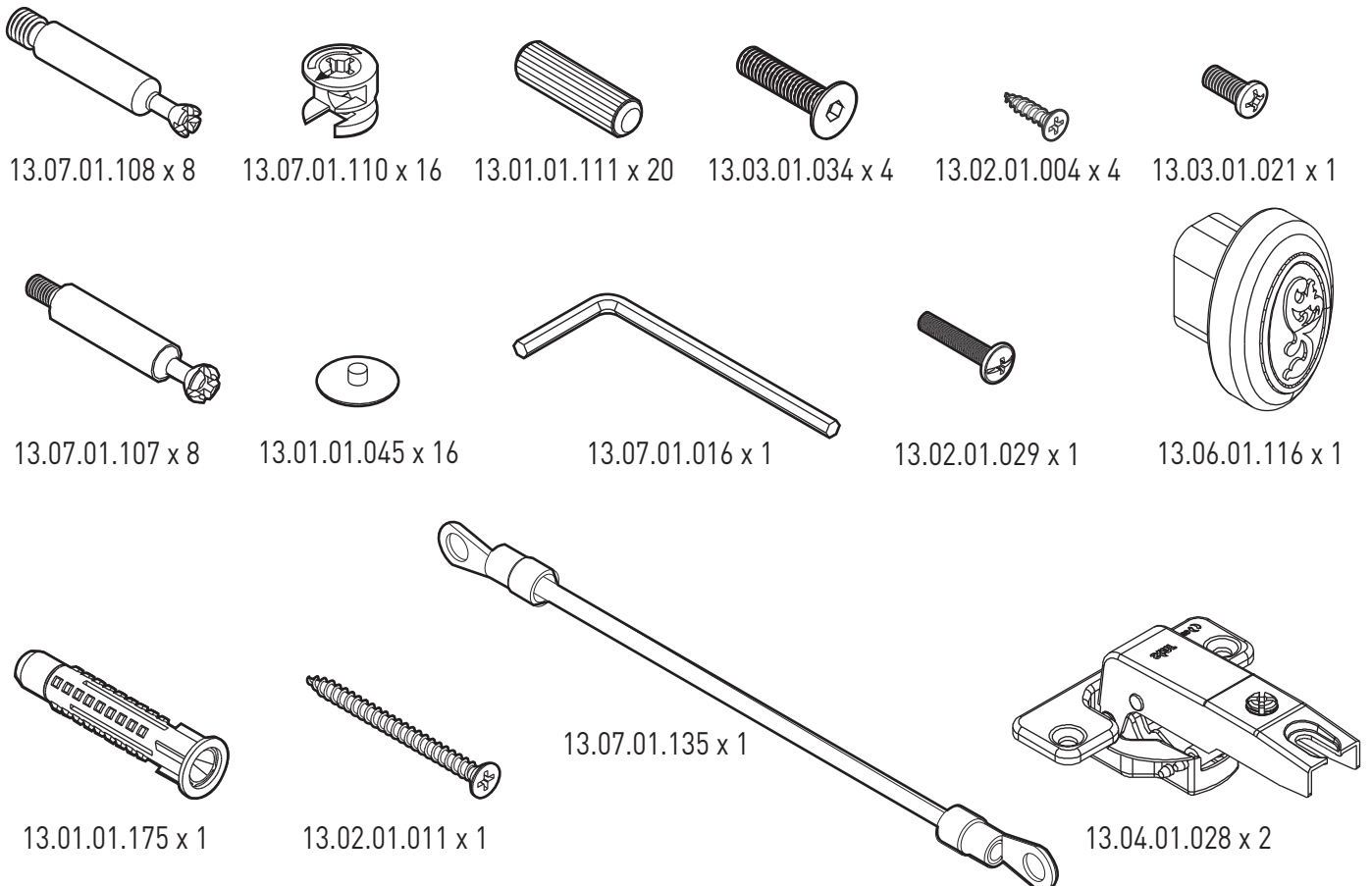




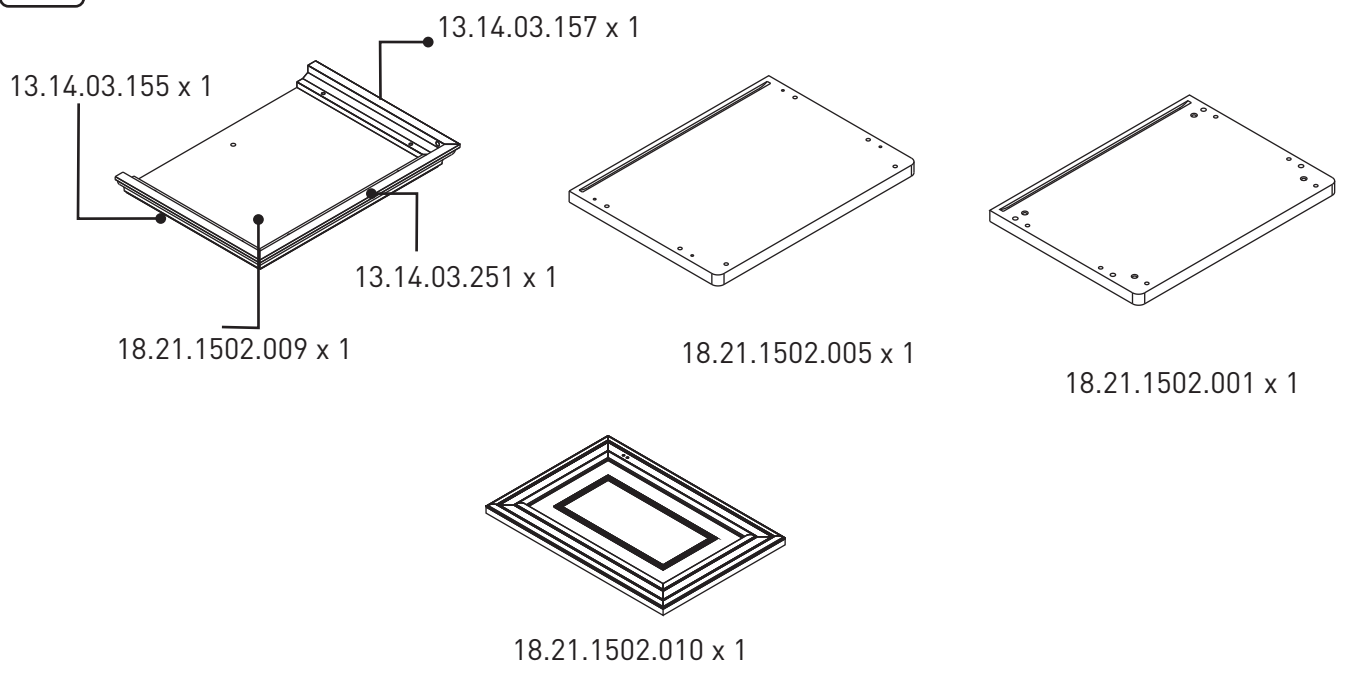
2 / 1



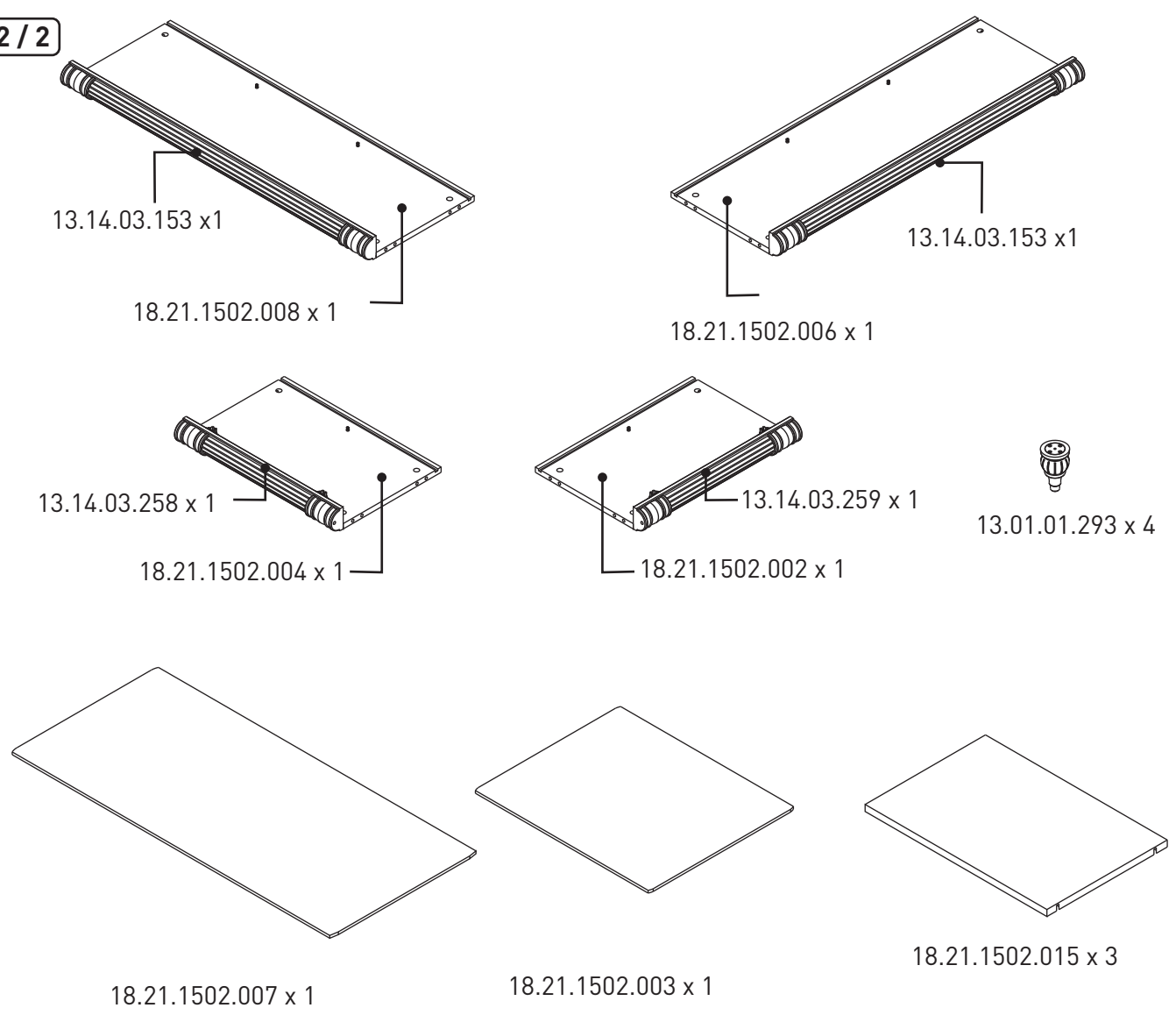
2 / 2

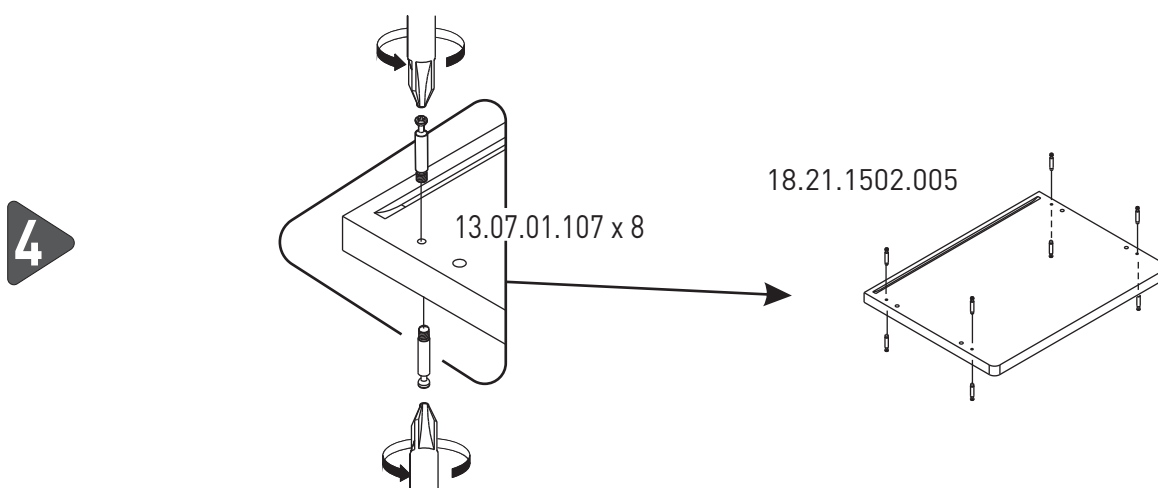
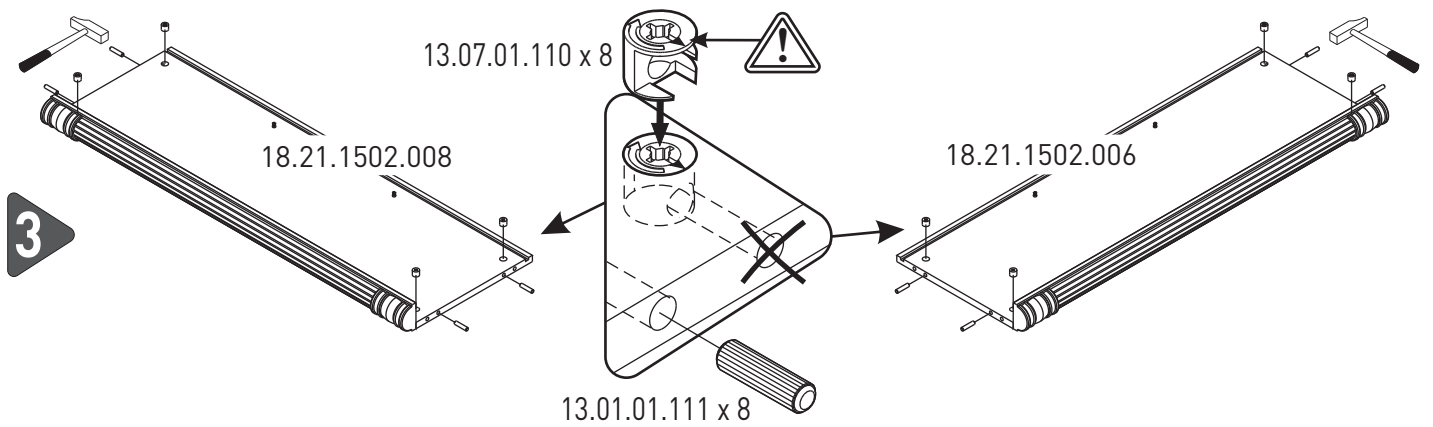
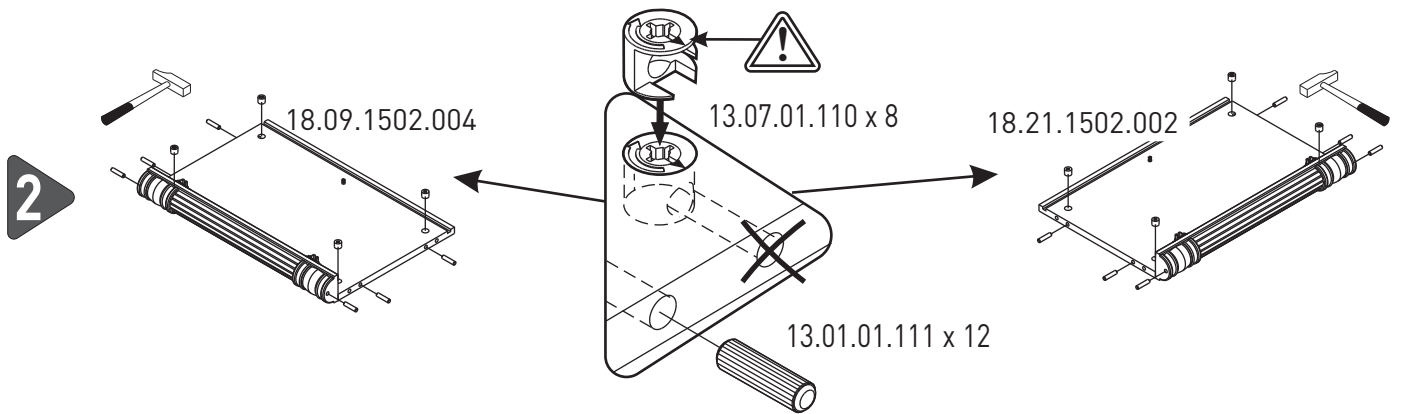
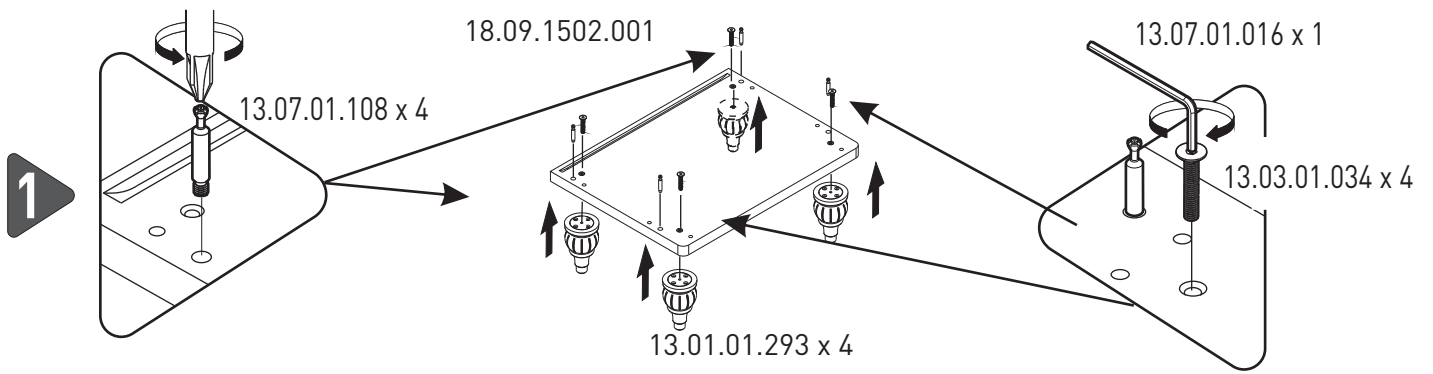


2/1

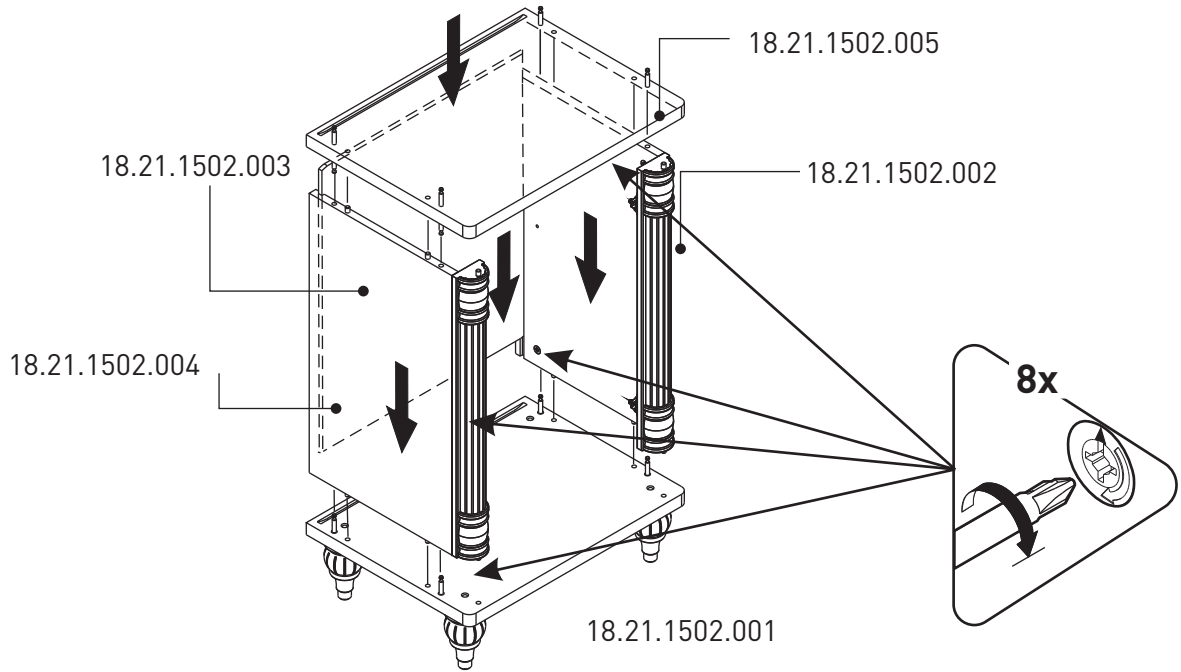


2/2

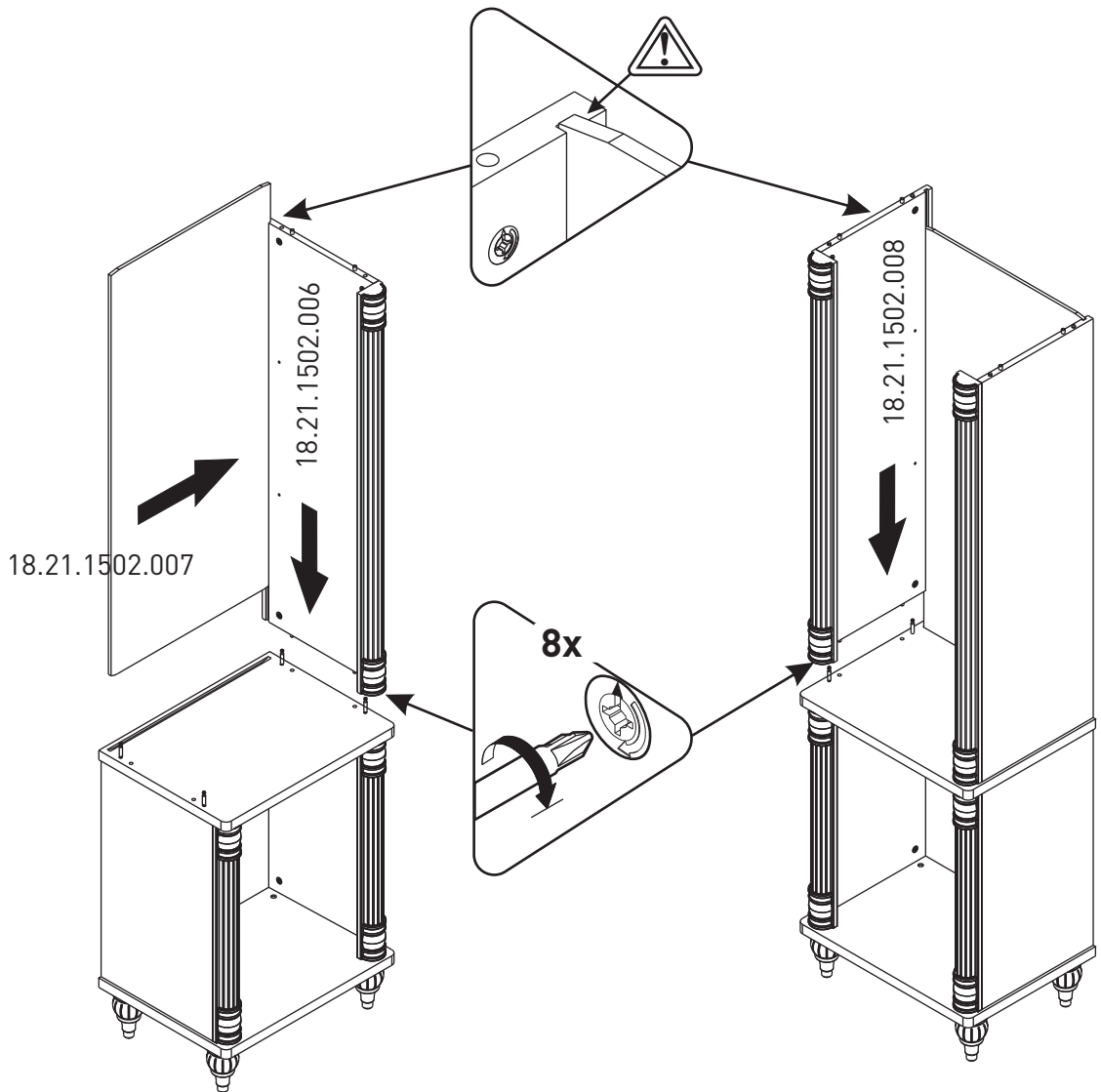


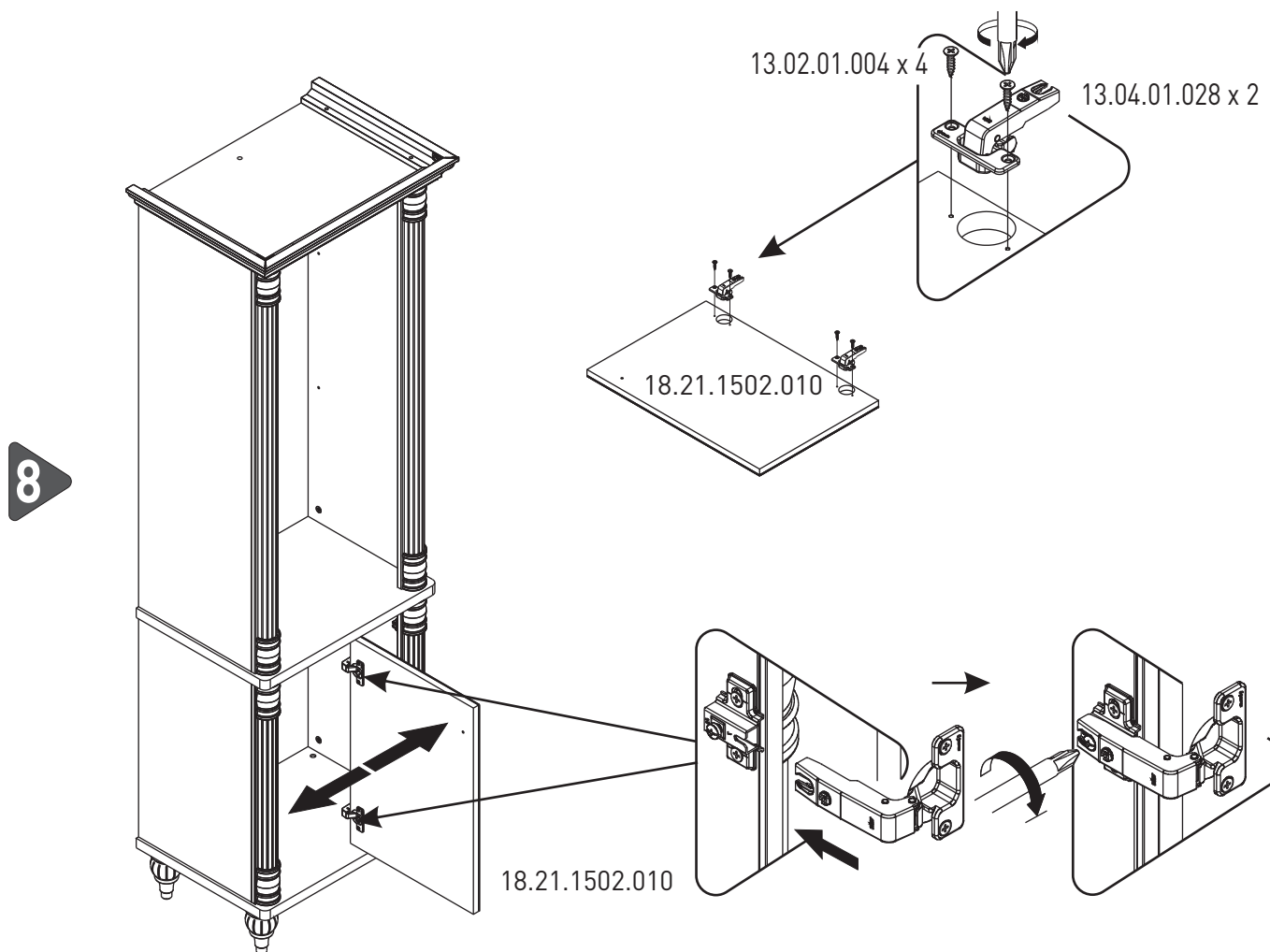
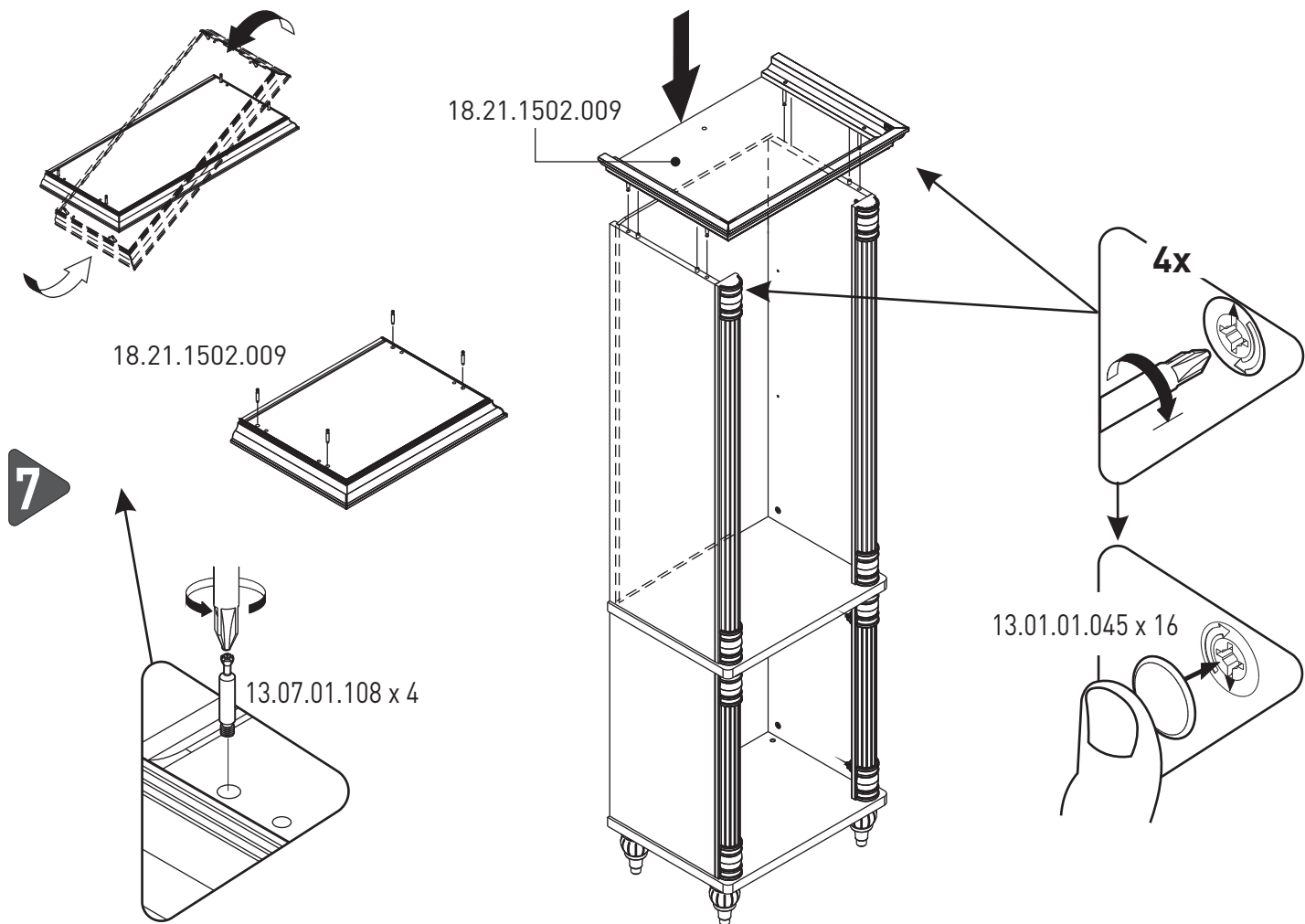


5

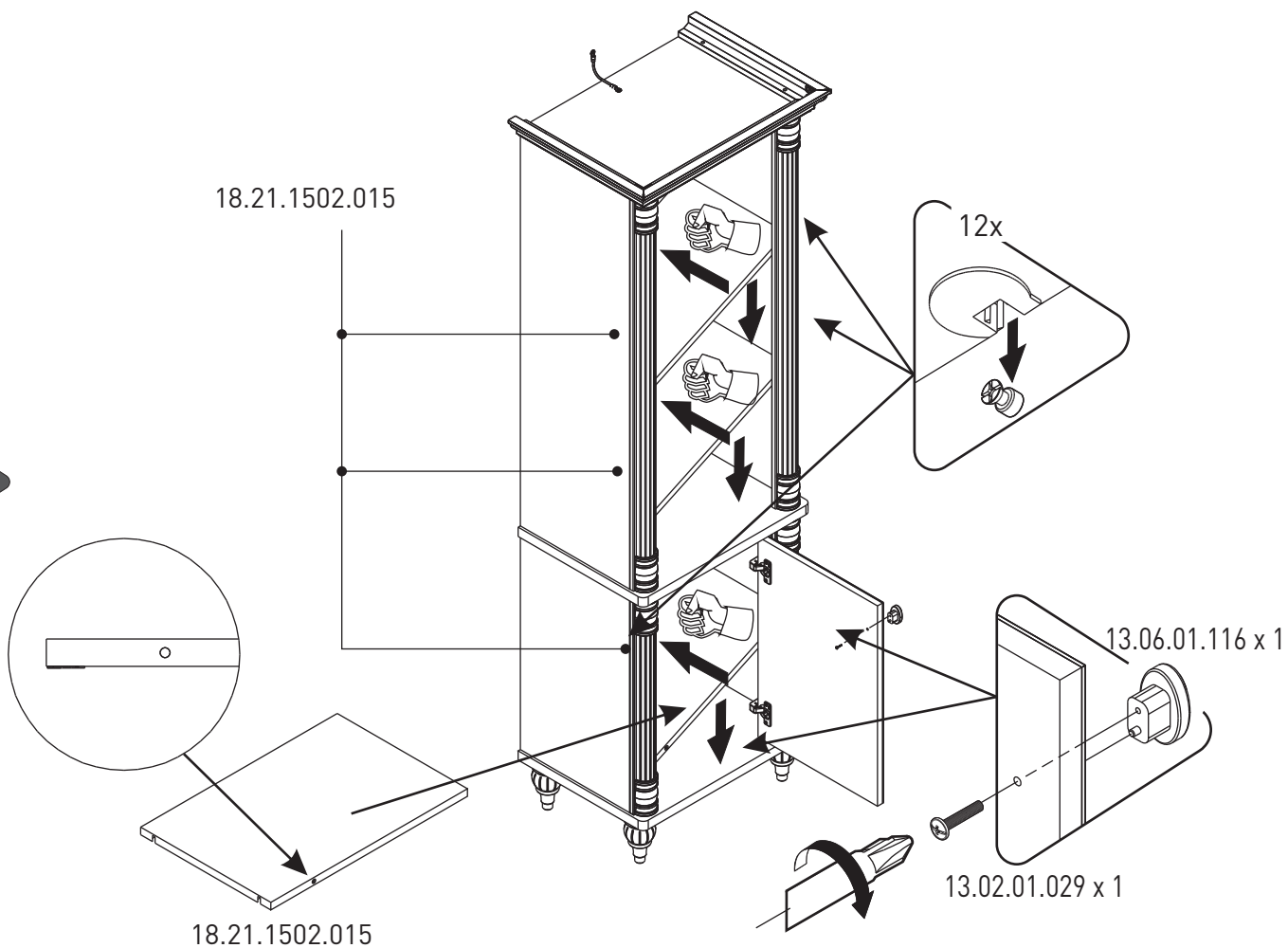


6

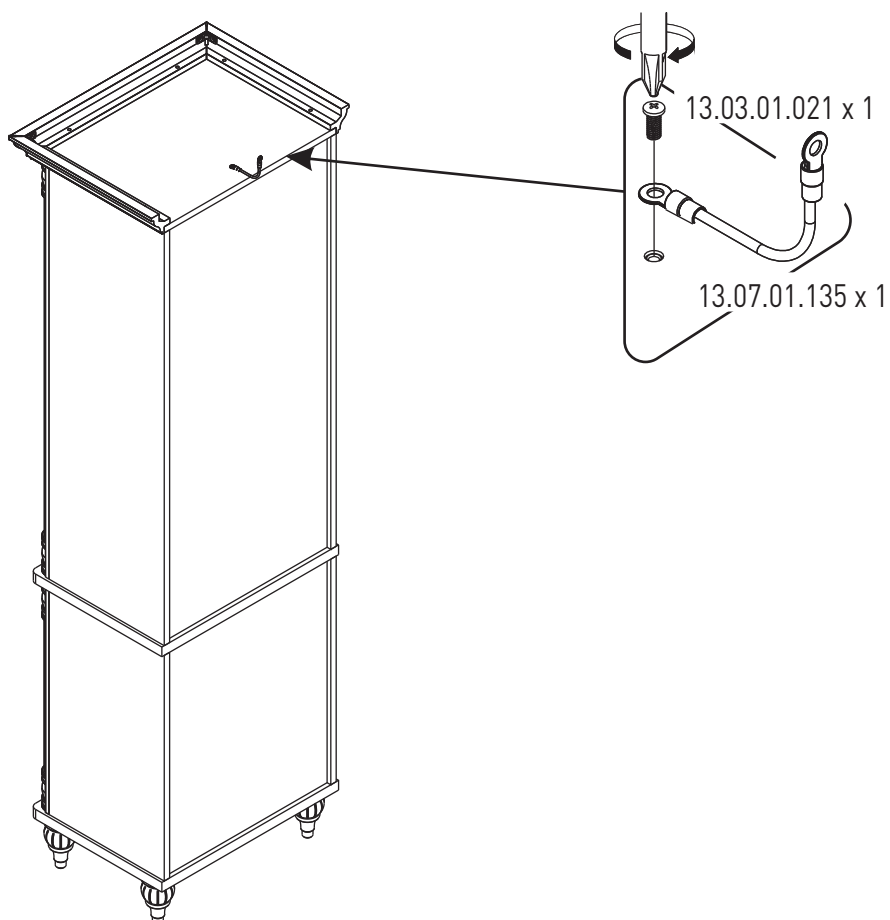




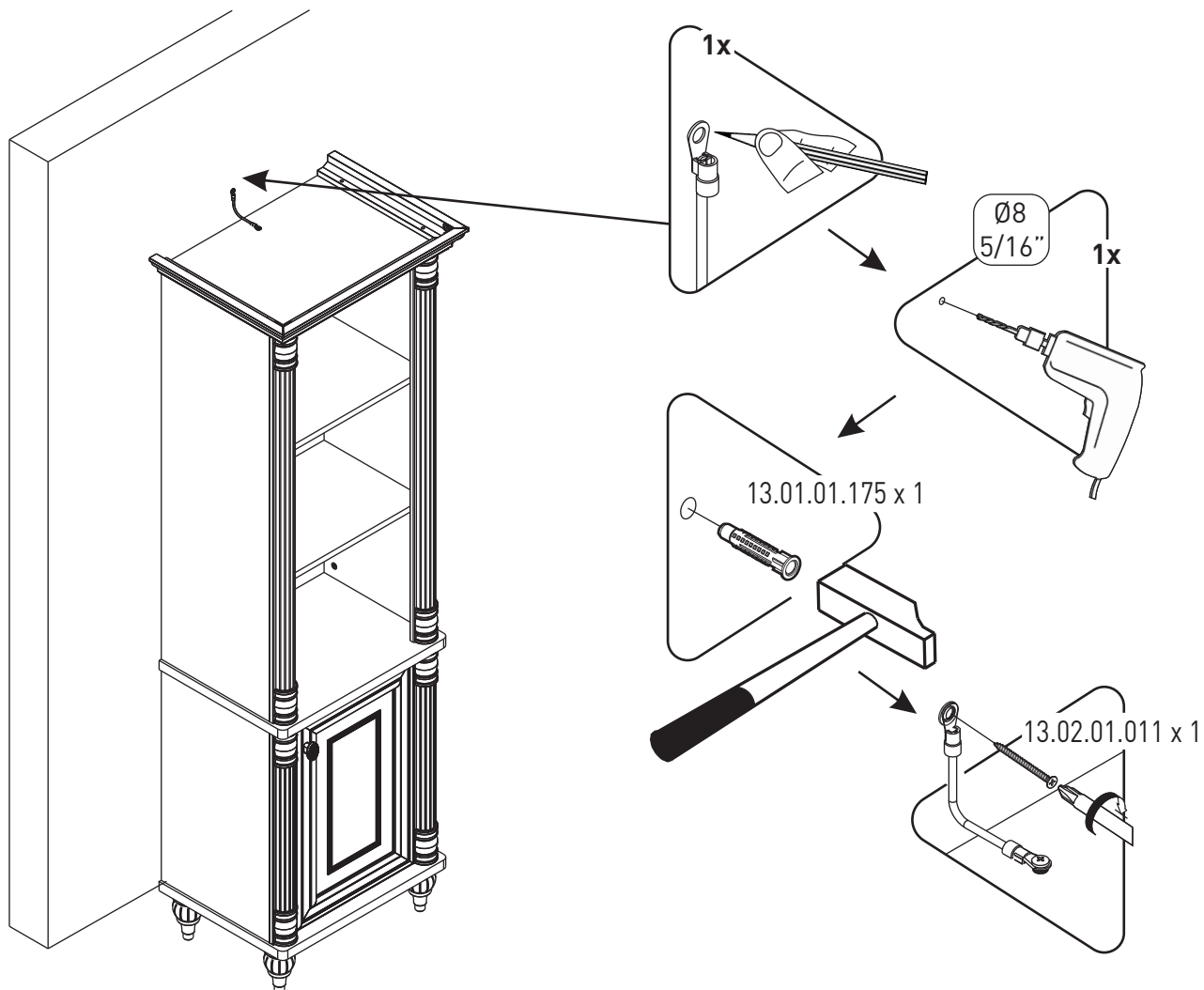
9



10



11



i

