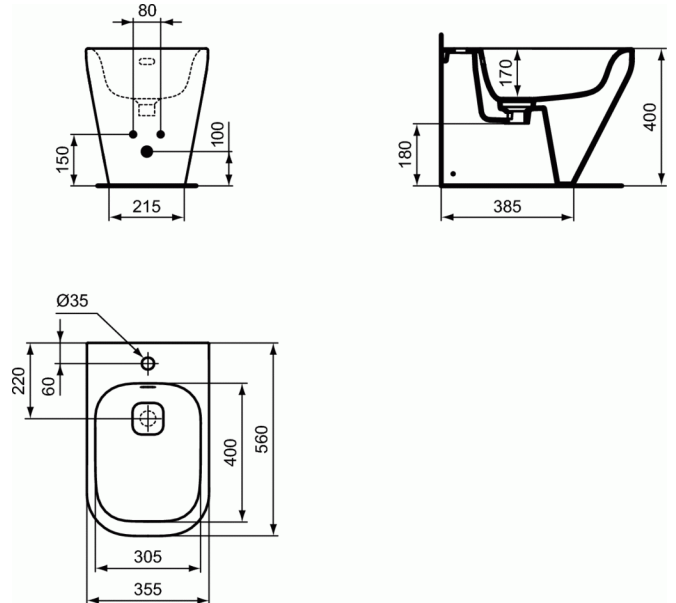


TONIC II

Floor standing BTW bidet



Floor standing BTW bidet

One tap hole

Back to wall

Including:

- Fixation set TT0257919
- Ceramic waste cover T854601

In carton box

EN 14528

Recommended equipment:

- Siphon waste for bidet G1 1/4 (A2307AA)
- Stop angle valve (water connection G1/2, connection with mixer 10 mm/ G3/8) (B7883AA)

RECOMMENDED

One-hole bidet mixer

A6336

FINISHES*



* 01 = Euro White

KEY FEATURES & BENEFITS

