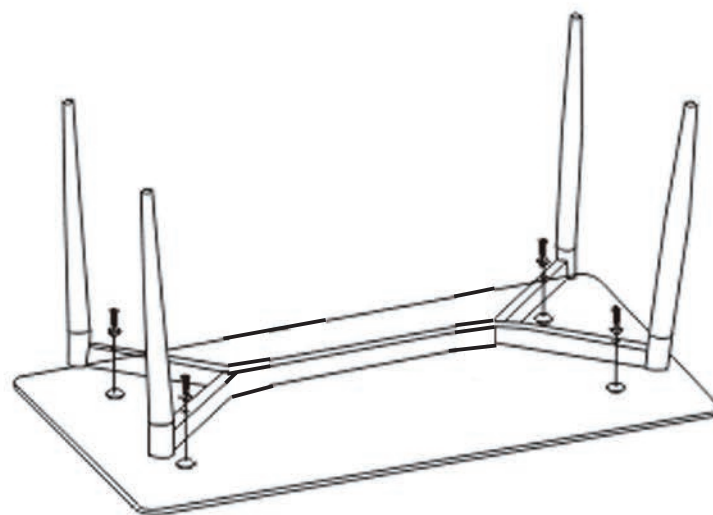
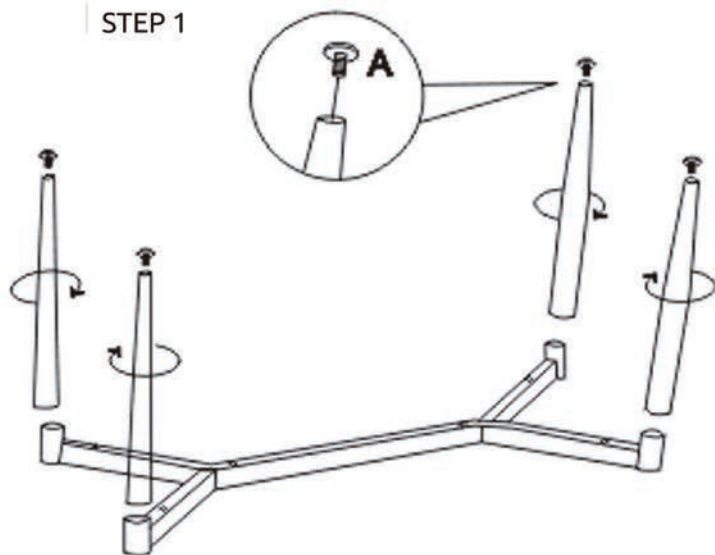


STEP 1



STEP 3



A



X4

B



X4

C



X4

D



X1