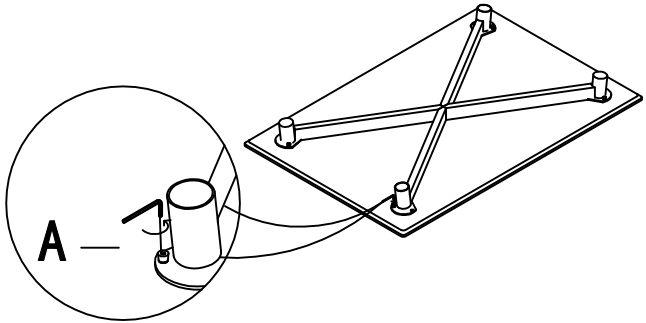
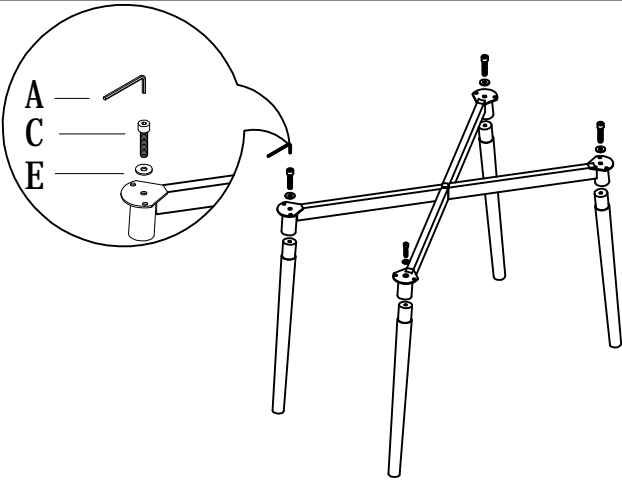


ASSEMBLY INSTRUCTION

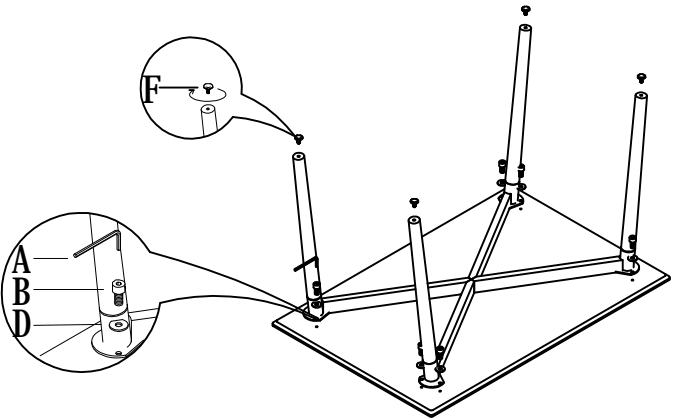
1



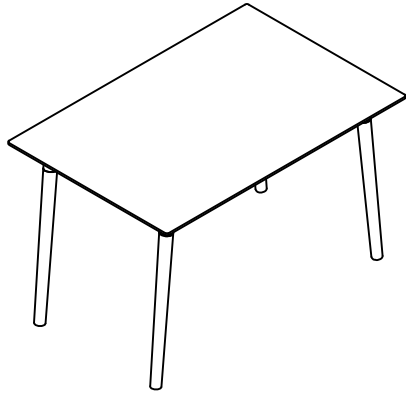
2



3



4



A



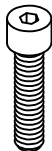
x1

B



x8

C



x4

D



x8

E



x4

F



x4