

# Contents

<b>1</b>	<b>Instructions</b>	<b>46</b>
1.1	General safety instructions	46
1.2	Manufacturer liability	50
1.3	Appliance purpose	50
1.4	Disposal	51
1.5	Identification plate	51
1.6	This user manual	51
1.7	How to read the user manual	52
<b>2</b>	<b>Description</b>	<b>53</b>
2.1	General Description	53
2.2	Cooking hob	54
2.3	Control panel	54
2.4	Other parts	55
2.5	Available accessories	56
<b>3</b>	<b>Use</b>	<b>57</b>
3.1	Instructions	57
3.2	First use	58
3.3	Using the accessories	58
3.4	Using the hob	59
3.5	Using the oven	60
3.6	Using the storage compartment	61
3.7	Cooking advice	61
<b>4</b>	<b>Cleaning and maintenance</b>	<b>64</b>
4.1	Instructions	64
4.2	Cleaning the appliance	64
4.3	Removing the door	65
4.4	Cleaning the door glazing	66
4.5	Removing the internal glass panes	66
4.6	Removing the internal glass panes	66
4.7	Extraordinary maintenance	68
<b>5</b>	<b>Installation</b>	<b>70</b>
5.1	Gas connection	70
5.2	Adaptation to different types of gas	73
5.3	Positioning	78
5.4	Electrical connection	83
5.5	Instructions for the installer	85

We advise you to read this manual carefully, as it contains all the instructions for maintaining the appliance's aesthetic and functional qualities.

For further information on the product: [www.smeg.com](http://www.smeg.com)



# Instructions

## 1 Instructions

### 1.1 General safety instructions

#### Risk of personal injury

- During use the appliance and its accessible parts become very hot. Never touch the heating elements during use.
- Protect your hands by wearing oven gloves when moving food inside the oven.
- Never try to put out a fire or flames with water: turn off the appliance and smother the flames with a fire blanket or other appropriate cover.
- This appliance may be used by children aged at least 8 and by people of reduced physical, sensory or mental capacity, or lacking in experience in the use of electrical appliances, provided that they are supervised or instructed by adults who are responsible for their safety.
- Children must never play with the appliance.
- Keep children under the age of 8 at a safe distance unless they are constantly supervised.
- Keep children under the age of 8 away from the appliance when it is in use.
- Cleaning and maintenance must not be carried out by unsupervised children.
- Make sure that the flame-spreader crowns are correctly positioned in their seats with their respective burner caps.
- Be aware of how rapidly the cooking zones heat up. Do not place empty pans on the heat. Danger of overheating.
- Fats and oils can catch fire if they overheat. Do not leave the appliance unattended while preparing foods containing oils or fats. If fats or oils catch fire, never put water on them. Place the lid on the pan and turn off the relevant cooking zone.
- Cooking process should always be kept under control. A short cooking process must be continuously surveyed.



- While cooking do not place metal objects, such as cutlery or dishes on the hob surface as they may overheat.
- Do not insert pointed metal objects (cutlery or utensils) into the slots in the appliance.
- Do not pour water directly on very hot trays.
- Keep the oven door closed during cooking.
- If you need to move food or at the end of cooking, open the door 5 cm for a few seconds, let the steam come out, then open it fully.
- Do not open the storage compartment (where present) when the oven is on and still hot.
- The items inside the storage compartment could be very hot after using the oven.
- DO NOT USE OR STORE FLAMMABLE MATERIALS IN THE STORAGE COMPARTMENT (IF AVAILABLE) OR NEAR THE APPLIANCE.
- DO NOT USE AEROSOLS IN THE VICINITY OF THIS APPLIANCE WHILST IT IS IN USE.
- Switch off the appliance after use.
- DO NOT MODIFY THIS APPLIANCE.
- Before any operation on the appliance (installation, maintenance, positioning or movement) always wear PPM.
- Before performing any operation on the appliance, switch off the power supply.
- Have qualified personnel carry out installation and assistance interventions according to the standards in force.
- Do not try to repair the appliance yourself or without the intervention of a qualified technician.
- Do not pull the cable to remove the plug.
- If the power supply cable is damaged, contact technical support immediately and they will replace it.



## Instructions

### Risk of damaging the appliance

- Do not use abrasive or corrosive detergents (e.g. scouring powders, stain removers and metallic sponges) on glass parts.
- Use wooden or plastic utensils.
- Racks and trays should be inserted as far as they will go into the side guides. The mechanical safety locks that prevent them from being removed must face downwards and towards the back of the oven.
- Do not sit on the appliance.
- Do not use steam jets to clean the appliance.
- Do not obstruct ventilation openings and heat dispersal slots.
- Never leave the appliance unattended during cooking operations where fats or oils could overheat and take fire. Be very careful
- Never leave objects on the cooking surface.
- **DO NOT USE THE APPLIANCE TO HEAT ROOMS FOR ANY REASON.**
- Do not spray any spray products near the oven.
- Do not use plastic cookware or containers for cooking.
- Do not place sealed tins or containers in the oven cavity.
- Remove all trays and racks which are not required during cooking.
- Do not cover the bottom of the oven cavity with aluminium or tin foil sheets.
- Do not place pans or trays directly on the bottom of the oven cavity.
- If you wish to use greaseproof paper, place it so that it will not interfere with the hot air circulation inside the oven.
- Do not use the open door to place pans or trays on the internal glazing pane.
- Cooking vessels or griddle plates should be placed inside the perimeter of the hob.
- All pans must have smooth, flat bottoms.
- If any liquid does boil over or spill, remove the excess from the hob.



- Take care not to spill acid substances such as lemon juice or vinegar on the hob.
- Do not put empty pans or frying pans on switched on cooking zones.
- Do not use steam jets to clean the appliance.
- Do not use rough or abrasive materials or sharp metal scrapers.
- Do not use cleaning products containing chlorine, ammonia or bleach on parts made of steel or that have metallic surface finishes (e.g. anodizing, nickel- or chromium-plating).
- Do not use abrasive or corrosive detergents (e.g. scouring powders, stain removers and metallic sponges) on glass parts.
- Do not wash the removable components such as the hob grids, flame-spreader crowns and burner caps in a dishwasher.
- Never use the oven door to lever the appliance into place when fitting.
- Avoid exerting too much pressure on the door when open.
- Do not use the handle to lift or move this appliance.

## Installation

- **THIS APPLIANCE MUST NOT BE INSTALLED IN A BOAT OR CARAVAN.**
- This appliance must not be installed on a pedestal.
- Position the appliance into the cabinet cut-out with the help of a second person.
- To prevent any possible overheating, the appliance should not be installed behind a decoration door or a panel.
- Have the gas connection performed by authorised staff.
- Installation using a hose must be carried out so that the length of the hose does not exceed 2 metres when fully extended for steel hoses and 1.5 metres for rubber hoses.
- The hoses should not come into contact with moving parts and should not be crushed in any way.
- If required, use a pressure regulator that complies with current regulations.
- After carrying out any operation, check that the tightening torque of gas connections is between 10 Nm and 15 Nm.



## Instructions

- At the end of the installation, check for any leaks with a soapy solution, never with a flame.
- Have the electrical connection performed by authorised technicians.
- The appliance must be connected to ground in compliance with electrical system safety standards.
- Use cables withstanding a temperature of at least 90 °C.
- The tightening torque of the screws of the terminal board leads must be 1.5 - 2 Nm.

### For this appliance

- Ensure that the appliance is switched off before replacing the bulb.
- Do not rest any weight or sit on the open door of the appliance.
- Take care that no objects are stuck in the doors.

### 1.2 Manufacturer liability

The manufacturer declines all liability for damage to persons or property caused by:

- use of the appliance other than that specified;
- failure to comply with the instructions in the user manual;
- tampering with any part of the appliance;
- use of non-original spare parts.

### 1.3 Appliance purpose

- This appliance is intended for cooking food in the home environment. Every other use is considered inappropriate.
- The appliance is not designed to operate with external timers or with remote-control systems.



## 1.4 Disposal



This appliance must be disposed of separately from other waste (Directives 2002/95/EC, 2002/96/EC, 2003/108/EC). The appliance does not contain substances in quantities sufficient to be considered hazardous to health and the environment, in accordance with current European directives.

To dispose of the appliance:

- Cut the power supply cable and remove it along with the plug.



**Power voltage**

**Danger of electrocution**

- Disconnect the mains power supply.
- Unplug the appliance.
- Deliver the appliance to the appropriate recycling centre for electrical and electronic equipment waste, or return it to the retailer when purchasing an equivalent product, on a one for one basis.

Our appliances are packaged in non-polluting and recyclable materials.

- Deliver the packing materials to the appropriate recycling centre.



**Plastic packaging**

**Danger of suffocation**

- Do not leave the packaging or any part of it unattended.
- Do not let children play with the plastic bags.

## 1.5 Identification plate

The identification plate bears the technical data, serial number and brand name of the appliance. Do not remove the identification plate for any reason.

## 1.6 This user manual

This user manual is an integral part of the appliance and must therefore be kept in its entirety and within the user's reach for the whole working life of the appliance.

Read this user manual carefully before using the appliance.



# Instructions

## 1.7 How to read the user manual

This user manual uses the following reading conventions:

### Instructions



General information on this user manual, on safety and final disposal.

### Description



Description of the appliance and its accessories.

### Use



Information on the use of the appliance and its accessories.

### Cleaning and maintenance



Information for proper cleaning and maintenance of the appliance.

### Installation



Information for the qualified technician: Installation, operation and inspection.



Safety instructions



Information



Advice

1. Sequence of instructions for use.

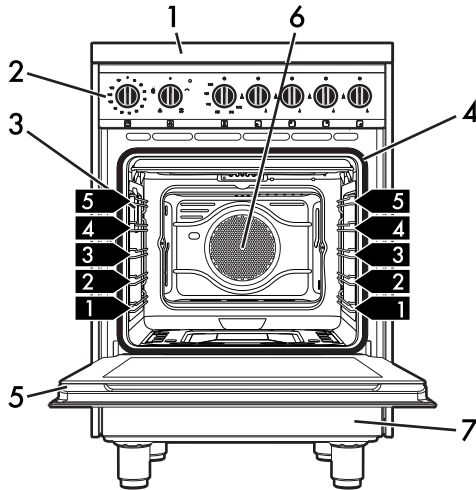
- Standalone instruction.





## 2 Description

### 2.1 General Description



- 1 Cooking hob
- 2 Control panel
- 3 Light bulb
- 4 Seal

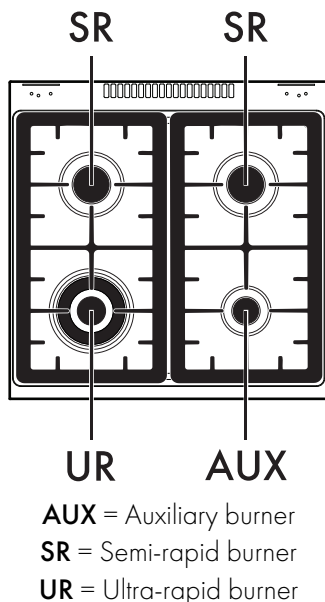
- 5 Door
- 6 Fan
- 7 Storage compartment

**1,2,3...** Rack/tray support frame shelf

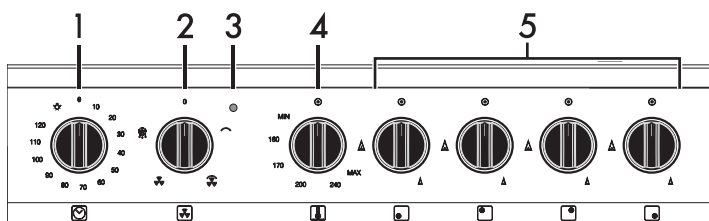


## Description

### 2.2 Cooking hob



### 2.3 Control panel



#### 1 Timer knob

Allows you to set manual cooking or a timer with automatic oven switch off at the end of cooking.

#### 2 Function knob

The oven's various functions are suitable for different cooking modes. After selecting the required function, set the cooking temperature using the temperature knob.

#### 3 Temperature knob

This knob allows you to select the cooking temperature.

Turn the knob clockwise to the required value, between the minimum and maximum setting.



## 4 Indicator light

The indicator light comes on to indicate that the oven is heating up. It turns off as soon as it reaches the set temperature.

It flashes regularly to indicate that the temperature set inside the oven is kept constant.

## 5 Function knob



Used for lighting and adjusting the hob burners.


Press and turn the knobs anti-clockwise to



in order to light the relative burners.

Turn the knobs to the zone between the

maximum  and minimum  setting to adjust the flame.

Return the knobs to the position  to turn off the burners.

## 2.4 Other parts

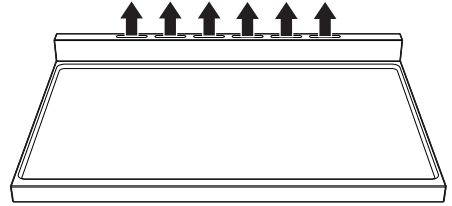
### Shelves

The appliance features shelves to position trays and racks at different heights. The insertion heights are indicated from the bottom upwards (see 2.1 General Description).

## Cooling fan

The fan cools the oven and comes into operation during cooking.

The fan causes a steady outflow of air that exits from the rear of the appliance and which may continue for a brief period of time even after the appliance has been turned off.



Do not obstruct ventilation openings and heat dispersal slots.

## Interior lighting

The appliance's interior lighting comes on:

- when the door is opened:



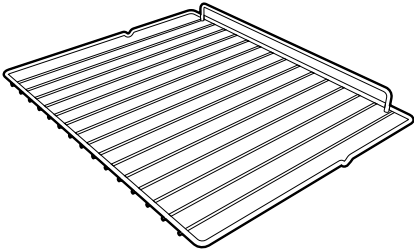
## Description

### 2.5 Available accessories



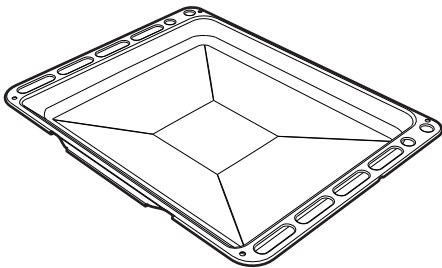
Not all accessories are available on some models.

#### Rack



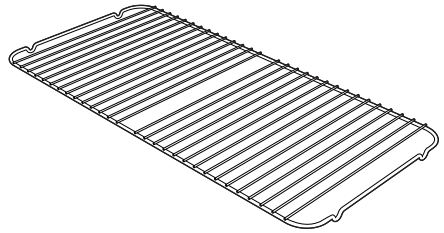
Used for supporting containers with food during cooking.

#### Deep tray



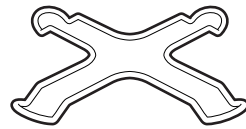
Useful for collecting fat from foods placed on the rack above.

#### Tray rack



To be placed over the top of the oven tray; for cooking foods which may drip.

#### Ring reducer



Useful when using small cookware.



The accessories intended to come into contact with food are made of materials that comply with the provisions of current legislation.



Supplied and optional accessories can be requested to Authorised Service Centres. Use only original accessories supplied by the manufacturer.



## 3 Use

### 3.1 Instructions



#### High temperature inside the oven during use Danger of burns

- Keep the oven door closed during cooking.
- Protect your hands wearing heat resistant gloves when moving food inside the oven
- Do not touch the heating elements inside the appliance.
- Do not pour water directly on very hot trays.
- Keep children under the age of 8 away from the appliance when it is in use.
- If you need to move food or at the end of cooking, open the door 5 cm for a few seconds, let the steam come out, then open it fully.



#### Improper use Danger of burns

- Make sure that the flame-spreader crowns are correctly positioned in their seats with their respective burner caps.
- Oils and fats could catch fire if overheated. Be very careful.



#### Improper use Risk of damage to surfaces

- Do not cover the bottom of the oven cavity with aluminium or tin foil sheets.
- If you wish to use greaseproof paper, place it so that it will not interfere with the hot air circulation inside the oven.
- Do not place pans or trays directly on the bottom of the oven cavity.
- Do not use the open door to place pans or trays on the internal glazing pane.
- Do not pour water directly on very hot trays.
- Cooking vessels or griddle plates should be placed inside the perimeter of the hob.
- All pans must have smooth, flat bottoms.
- If any liquid does boil over or spill, remove the excess from the hob.



#### High temperature inside the storage compartment Danger of burns

- Do not open the storage compartment when the oven is on and still hot.
- The items inside the storage compartment could be very hot after using the oven.



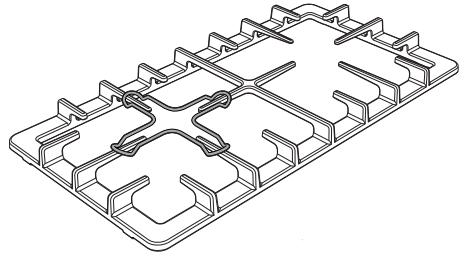
High temperature inside the storage compartment during use  
**Danger of fire or explosion**

- Do not spray any spray products near the oven.
- Do not use or leave flammable materials near the oven or the storage compartment.
- Do not use plastic cookware or containers for cooking.
- Do not put sealed tins or containers in the oven.
- Do not leave the oven unattended during cooking operations where fats or oils could be released.
- Remove all trays and racks which are not required during cooking.

## 3.3 Using the accessories

### Ring reducers

The ring reducers have to be placed on the hob grids. Make sure they are placed properly.



## 3.2 First use

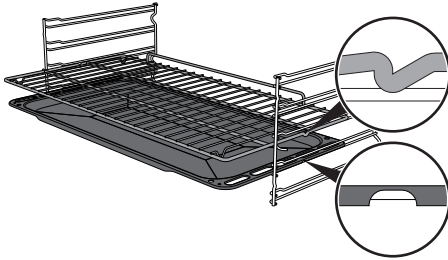
1. Remove any protective film from the outside or inside of the appliance, including accessories.
2. Remove any labels (apart from the technical data plate) from the accessories and from the oven cavity.
3. Remove and wash all the appliance's accessories (see 4 Cleaning and maintenance).
4. Heat the empty oven at the maximum temperature to burn off any residues left by the manufacturing process.



## Racks and trays

Racks and trays have to be inserted into the side guides until they come to a complete stop.

The mechanical safety locks that prevent the rack from being taken out accidentally have to face downwards and towards the oven back.



Gently insert racks and trays into the oven until they come to a stop.



Clean the trays before using them for the first time to remove any residues left by the manufacturing process.

## 3.4 Using the hob


All the appliance's control and monitoring devices are located together on the front panel. The burner controlled by each knob is shown next to the knob. The appliance is equipped with an electronic ignition device. Simply press the knob and turn it anti-clockwise to the maximum flame symbol, until the burner ignites. If the burner does not light in the first 15 seconds, turn the knob to



and wait 60 seconds before trying again. After lighting, keep the knob pressed in for a few seconds to allow the thermocouple to heat up.

The burner may go out when the knob is released: In this case, the thermocouple has not heated up sufficiently. Wait a few moments and repeat the operation. Keep the knob pressed in longer.

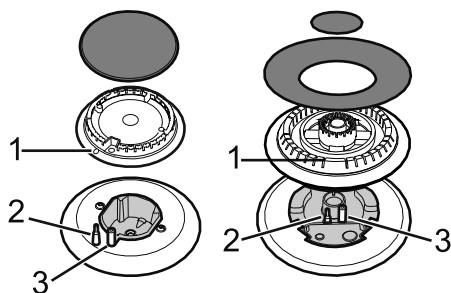


In case of an accidental switching off, a safety device will be tripped, cutting off the gas supply, even if the gas cock is open. Return the knob to  and wait at least 60 seconds before lighting it again.



## Correct positioning of the flame-spreader crowns and burner caps

Before lighting the hob burners, make sure that the flame-spreader crowns are correctly positioned in their seats with their respective burner caps. Make sure that the holes **1** of the flame-spreader crowns are aligned with the thermocouples **2** and igniters **3**.



## Practical tips for using the hob

For better burner efficiency and to minimise gas consumption, use pans with lids and of suitable size for the burner, so that the flames do not reach up the sides of the pan. Once the contents come to the boil, turn down the flame far enough to ensure that the liquid does not boil over.



Cookware diameters:

- Auxiliary: 12 - 14 cm.
- Semi-rapid: 16 - 24 cm.
- Rapid: 18 - 26 cm.
- Ultra-rapid: 18 - 28 cm.

## 3.5 Using the oven

### Switching on the oven

To switch on the oven:

1. Set the cooking duration using the minute minder knob. Adjustment is progressive so that the time can also be set to any intermediate value between these numbers.
2. Select the temperature using the temperature knob.
3. Select the cooking function using the function knob.
4. At the end of timed cooking, a buzzer sounds that stops automatically after a few seconds.

### Functions list



#### Fan-assisted

This function is useful for activating ventilation while using the bottom gas burner. The air produced by the fan helps distribute heat evenly inside the oven.



#### Grill

The heat coming from the grill element gives perfect grilling results above all for thin and medium thickness meat and, in combination with the rotisserie (where fitted), gives the food an even browning at the end of cooking. Perfect for sausages, spare ribs and bacon. This function enables large quantities of food, particularly meat, to be grilled evenly.





### Fan with grill

The air produced by the fan softens the strong heatwave generated by the grill, grilling perfectly even very thick foods. Perfect for large cuts of meat (e.g. shin of pork).



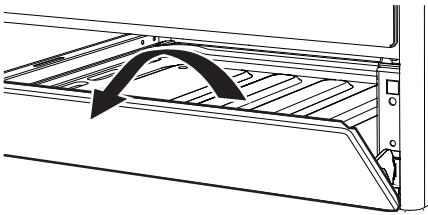
### Defrosting

Rapid defrost is helped by the switching on of the fan provided and by the upper heating element, which ensure uniform distribution of low temperature air inside the oven cavity.

## 3.6 Using the storage compartment

There is a storage compartment located at the bottom of the cooker; this can be used to store pans or metal objects required to use the cooker.

Press lightly on the sides of the door to open it.



## 3.7 Cooking advice

### General advice

- Use a fan assisted function to achieve consistent cooking at several levels.

- It is not possible to shorten cooking times by increasing the temperature (the food could be overcooked on the outside and undercooked on the inside).

### Advice for cooking meat

- Cooking times vary according to the thickness and quality of the food and to consumer taste.
- Use a meat thermometer when roasting meat, or simply press on the roast with a spoon. If it is hard, it is ready; If not, it needs another few minutes cooking.

### Advice for cooking with the Grill and the Fan grill

- Meat can be grilled even when it is put into the cold oven or into the preheated oven if you wish to change the effect of the cooking.
- With the Fan grill function, we recommend that you preheat the oven before grilling.
- We recommend placing the food at the centre of the rack.
- With the Grill function, we recommend that you turn the temperature knob to the maximum value near the  symbol to optimise cooking.
- Foods should be seasoned before cooking. Foods should also be coated with oil or melted butter before cooking.
- Use the oven tray on the first bottom shelf to collect liquids produced by grilling.
- Grilling processes must never last more than 60 minutes.



### Advice for cooking desserts/pastries and biscuits

- Use dark metal moulds: They help to absorb the heat better.
- The temperature and the cooking time depend on the quality and consistency of the dough.
- To check whether the dessert is cooked right through: at the end of the cooking time, put a toothpick into the highest point of the dessert. If the dough does not stick to the toothpick, the dessert is cooked.
- If the dessert collapses when it comes out of the oven, on the next occasion reduce the set temperature by about 10 °C, selecting a longer cooking time if necessary.
- While cooking desserts or vegetables, excessive condensation may form on the glass. In order to avoid this, open the door very carefully a couple of times while cooking.

### Advice for defrosting and proving

- Place frozen foods without their packaging in a lidless container on the first shelf of the oven.
- Avoid overlapping the food.
- To defrost meat, use the rack placed on the second level and a tray on the first level. In this way, the liquid from the defrosting food drains away from the food.
- The most delicate parts can be covered with aluminium foil.
- For successful proving, a container of water should be placed in the bottom of the oven.

### To save energy

- Stop cooking a few minutes before the time normally used. Cooking will continue for the remaining minutes with the heat which has accumulated inside the oven.
- Reduce any opening of the door to a minimum to avoid heat dispersal.
- Keep the inside of the appliance clean at all times.



## Cooking information table

Food	Weight (kg)	Runner position from the bottom	Static oven		Fan-assisted oven			
			Temperature (°C)	Time (minutes)	Temperature (°C)	Time (minutes)		
Lasagna	3	3	230 - 240	50 - 60		230 - 240	45 - 50	
Cannelloni	2.5	2	220 - 230	25 - 30		220 - 230	25 - 30	
Pasta bake	2.5	2	220 - 230	25 - 30		220 - 230	25 - 30	
Roast chicken	1.2	2	200 - 210	80 - 90		200 - 210	70 - 80	
Turkey breast	3	2	200 - 210	90 - 100		200 - 210	90 - 100	
Pork loin	1.2	2	210 - 220	70 - 75		200 - 210	90 - 100	
Roast rabbit	1.5	2	200 - 210	75 - 80		200 - 210	75 - 80	
Lamb	1.5	2	200 - 210	90 - 95		200 - 210	90 - 95	
				1 <sup>nd</sup> surface	2 <sup>nd</sup> surface		1 <sup>nd</sup> surface	2 <sup>nd</sup> surface
Pork chops	1	3	Grill	15	8	Grill	15	8
Hamburgers	1	4	Grill	11	7	Grill	11	7
Sausages	1.5	4	Grill	15	5	Grill	15	5
Spare ribs	1.5	4	Grill	15	5	Grill	15	5
Kebabs	1.5	4	Grill	11	10	Grill	11	5
Mackerel	8	2	180 - 190	25 - 30		180 - 190	25 - 30	
Salmon trout	1.3	2	180 - 190	35 - 40		180 - 190	35 - 40	
Flounder	1	2	180 - 190	25 - 30		180 - 190	25 - 30	
Fish kebabs	1	4	Grill	7	3	Grill	7	5
Pizza	1	2	240	12 - 15		240	12 - 15	
Biscuits	1	1	190	18		180	18	
Chiffon cake	1	1	190	50 - 55		180	55 - 60	
Tart	1	1	190	35 - 40		180	35 - 40	
Ring cake	1.2	1	190	45 - 50		180	50 - 55	

The times indicated in the table do not include preheating times and are provided only as a guide.



# Cleaning and maintenance

## 4 Cleaning and maintenance

### 4.1 Instructions



**Improper use**

**Risk of damage to surfaces**

- Do not use steam jets to clean the appliance.
- Do not use cleaning products containing chlorine, ammonia or bleach on parts made of steel or that have metallic surface finishes (e.g. anodizing, nickel- or chromium-plating).
- Do not use abrasive or corrosive detergents (e.g. scouring powders, stain removers and metallic sponges) on glass parts.
- Do not use rough or abrasive materials or sharp metal scrapers.
- Do not wash the removable components such as the hob grids, flame-spreader crowns and burner caps in a dishwasher.

### 4.2 Cleaning the appliance



We recommend the use of cleaning products distributed by the manufacturer.

### Recommendations for cleaning the hob

To keep the surfaces in good condition, they should be cleaned regularly after use. Let them cool first.

### Cleaning the hob

1. Pour some non-abrasive detergent on a damp cloth and wipe the surface.
2. Rinse thoroughly.
3. Dry with a soft cloth or a microfibre cloth.

### Cleaning the hob grids, flame-spreader crowns and burner caps

1. Remove the components from the hob.
2. Clean with lukewarm water and non-abrasive detergent. Make sure to remove any encrustations.
3. Dry thoroughly with a soft cloth or a microfibre cloth.
4. Replace the components on the hob.

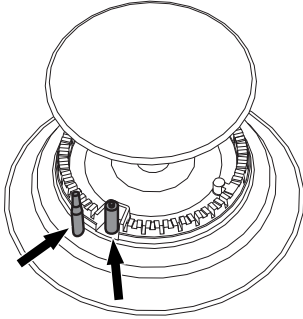


The continuous contact between the grids and the flame can cause modifications to the enamel over time in those parts exposed to heat. This is a completely natural phenomenon which has no effect on the operation of this component.



## Cleaning the igniters and thermocouples

- If necessary, clean the igniters and thermocouples with a damp cloth.
- If there is any dry residue, remove it with a toothpick or needle.



## Cleaning the oven cavity

For the best oven cavity upkeep, clean it regularly after having allowed it to cool. Avoid letting food residue dry inside the oven cavity, as this could damage the enamel.

Before cleaning, take away all removable items.

For easier cleaning, it is recommended to remove:

- the door
- the rack/tray support frames
- the seal



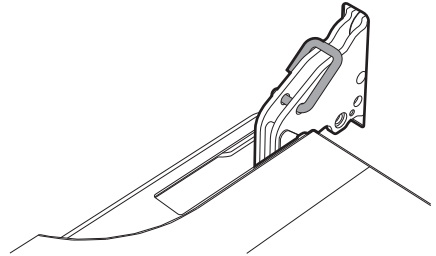
In the event you are using specific cleaning products, we recommend running the oven at maximum temperature for 15-20 minutes in order to eliminate any residue.

## 4.3 Removing the door

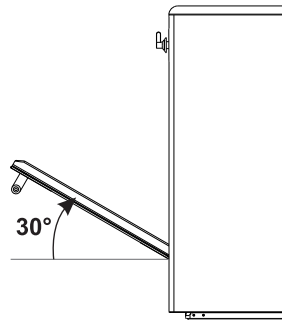
For easier cleaning, the door can be removed and placed on a tea towel.

To remove the door proceed as follows:

1. Open the door completely and insert two pins into the holes on the hinges indicated in the figure.



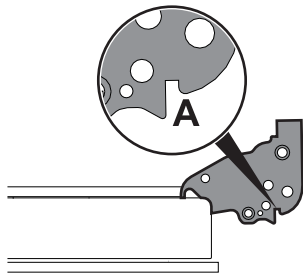
2. Grasp the door on both sides with both hands, lift it forming an angle of around 30° and remove it.





## Cleaning and maintenance

- To reassemble the door, put the hinges in the relevant slots in the oven, making sure that grooved sections **A** are resting completely in the slots. Lower the oven door and once it is in position, remove the pins from the holes in the hinges.



### 4.4 Cleaning the door glazing

The door glazing should always be kept thoroughly clean. Use absorbent kitchen roll. In case of stubborn dirt, wash with a damp sponge and an ordinary detergent.

### 4.5 Removing the internal glass panes

The door glazing should always be kept thoroughly clean. Use absorbent kitchen roll. In case of stubborn dirt, wash with a damp sponge and an ordinary detergent.

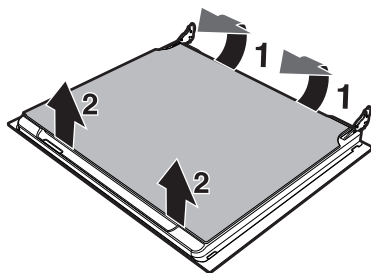


We recommend the use of cleaning products distributed by the manufacturer.

### 4.6 Removing the internal glass panes

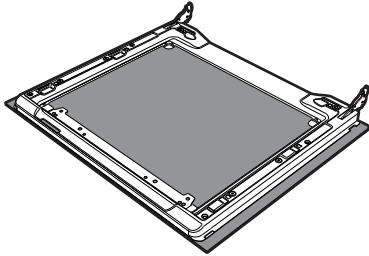
For easier cleaning, the internal glass panes of the door can be removed.

- Remove the internal glass pane by pulling the rear part gently upwards following the movement indicated by the arrows (1).
- Then, pull the front part upwards (2). This way, the 4 pins attached to the glass detach from their housings in the door.

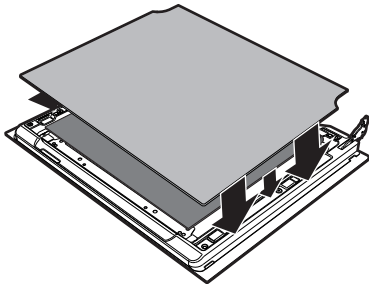




3. Clean the external glass pane and the internal pane which you have removed previously. Use absorbent kitchen roll. In case of stubborn dirt, wash with a damp sponge and neutral detergent.



4. Refit the panes in the reverse order of removal.
5. Reposition the internal glass pane. Take care to centre and insert the 4 pins into their housings in the oven door by applying slight pressure.

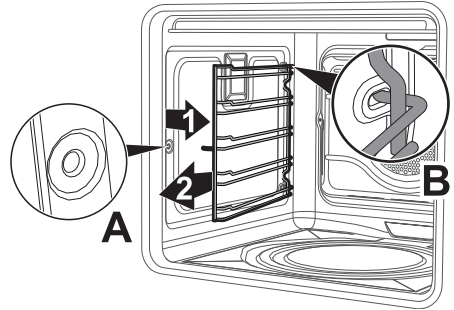


## Removing racks/trays support frames

Removing the rack/tray support frames enables the sides to be cleaned more easily.

To remove the rack/tray support frames:

- Pull the frame towards the inside of the oven to unhook it from its groove **A**, then slide it out of the seats **B** at the back.



- When cleaning is complete, repeat the above procedures to put the rack/tray support frames back in.



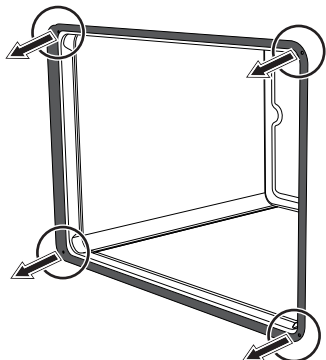
# Cleaning and maintenance

## 4.7 Extraordinary maintenance

### Installing and removing the seal

To remove the seal:

- Unhook the clips in the 4 corners then pull the seal outwards.



To refit the seal:

- Hook the clips in the 4 corners onto the seal.

### Seal maintenance tips

The seal should be soft and elastic.

- To keep the seal clean, use a non-abrasive sponge and wash with lukewarm water.

## Replacing the internal light bulb



Live parts

**Danger of electrocution**

- Unplug the appliance from the mains.

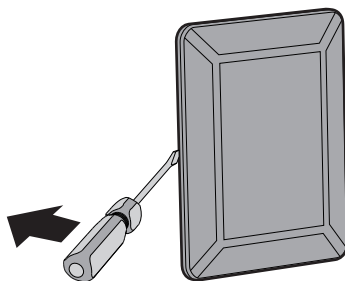


The oven is fitted with a 40 W halogen light bulb.

1. Remove all accessories from inside the oven cavity.
2. Remove the rack/tray support frames.
3. Remove the bulb cover using a tool (e.g. a screwdriver).



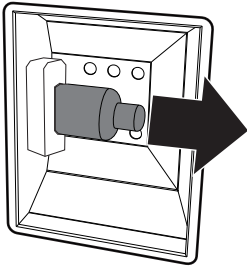
Take care not to scratch the enamel of the oven cavity wall.





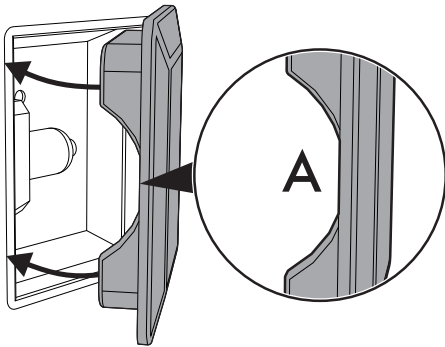


- Slide out and remove the light bulb.



Do not touch the halogen light bulb directly with your fingers, use an insulating material.

- Fit the new light bulb.
- Refit the cover. Ensure the moulded part of the glass (**A**) is facing the door.



- Press the cover down as far as it will go so that it attaches completely to the bulb support.



# Installation

## 5 Installation

### 5.1 Gas connection



Gas leak  
Danger of explosion

- After carrying out any operation, check that the tightening torque of gas connections is between 10 Nm and 15 Nm.
- If required, use a pressure regulator that complies with current regulations.
- At the end of the installation, check for any leaks with a soapy solution, never with a flame.
- Installation using a hose must be carried out so that the length of the hose does not exceed 2 metres when fully extended for steel hoses and 1.5 metres for rubber hoses.
- The hoses should not come into contact with moving parts and should not be crushed in any way.

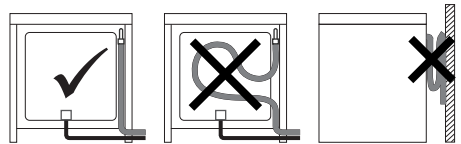
### General information

Connection to the gas mains can be made using a continuous wall steel hose in compliance with the guidelines established by the standards in force. For supplying it with other types of gas, see chapter "5.2 Adaptation to different types of gas". The gas inlet connection is threaded 1/2" external gas (ISO 228-1).

### Connection with a rubber hose

Verify that all following conditions are met:

- the hose is fixed to the hose connection with safety clamps;
- no part of the hose is in contact with hot walls (max. 50 °C);
- the hose is not under traction or tension and has no kinks or twists;
- the hose is not in contact with sharp objects or sharp corners;
- if the hose is not perfectly airtight and leaks gas, do not try to repair it; replace it with a new hose;
- verify that the hose is not past its expiry date (serigraphed on the hose itself).

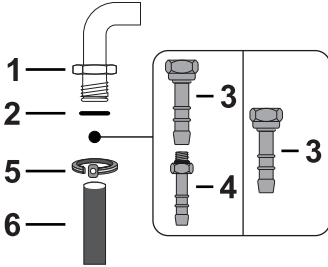


Make the connection to the gas mains using a rubber hose whose specifications comply with current standards (verify that the reference standard is stamped on the hose).

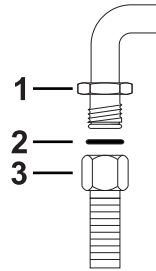
Carefully screw the hose connector **3** to the appliance's gas connector **1** (1/2" thread ISO 228-1), placing the seal **2** between them. The hose connector **4** can also be screwed to the hose connector **3**, depending on the diameter of the gas hose used.



After tightening the hose connector(s), push the gas hose **6** onto the hose connector and secure it with the clamp **5**, which must be compliant with applicable regulations.



Carefully screw the connector **3** to the gas connector **1** of the appliance, placing the seal **2** between them.



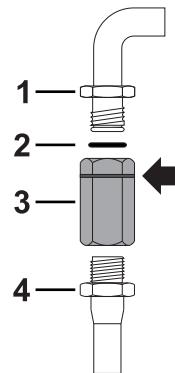
Connection using a rubber hose complying with current standards is only permitted if the hose can be inspected along its entire length.



The inside diameter of the hose must be 8 mm for LPG and 13 mm for Natural gas and Town gas.

## Connection with a steel hose with bayonet fitting

Carry out the connection to the gas mains using a steel hose with bayonet fitting compliant with B.S. 669. Apply insulating material to the thread of the gas hose connector **4** and then tighten the adapter **3**. Screw the assembly to the movable connector **1** of the appliance, placing the supplied seal **2** between them.



## Connection with a steel hose

Make the connection to the gas mains using a continuous wall steel hose whose specifications comply with the applicable standard.

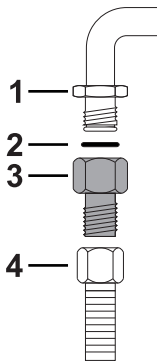


# Installation

## Connection with a steel hose with conical fitting

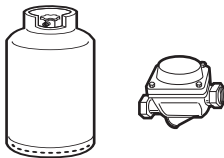
Make the connection to the gas mains using a continuous wall steel hose whose specifications comply with the applicable standard.

Carefully screw the hose connector **3** to the appliance's gas connector **1** ( $\frac{1}{2}$ " thread ISO 228-1), placing the supplied seal **2** between them. Apply insulating material ( $\frac{1}{2}$ " ISO 7.1) to the thread of connector **3**, then tighten the steel hose **4** to the connector **3**.



## Connection to LPG

Use a pressure regulator and make the connection on the gas cylinder following the guidelines set out in the standards in force.



The supply pressure must comply with the values indicated in the table "Burner and nozzle specifications tables".

## Room ventilation

The appliance should be installed in rooms that have a permanent air supply in accordance with the standards in force. The room where the appliance is installed must have enough air flow for the regular combustion of gas and the necessary air change in the room itself. The air vents, protected by grilles, must be the right size to comply with current regulations and positioned so that no part of them is obstructed, not even partially.

The room must be kept adequately ventilated in order to eliminate the heat and humidity produced by cooking: In particular, after prolonged use, you are recommended to open a window or to increase the speed of any fans.

## Extraction of the combustion products

The combustion products may be extracted by means of hoods connected to a natural draught chimney whose efficiency is certain or via forced extraction. An efficient extraction system requires precision planning by a specialist qualified in this area and must comply with the positions and clearances indicated by the applicable standards.



When the job is complete, the installer must issue a certificate of conformity.

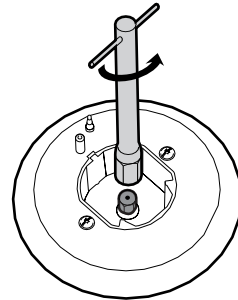
## 5.2 Adaptation to different types of gas

In case of operation with other types of gas, the burner nozzles must be changed and the minimum flame adjusted on the gas cocks.

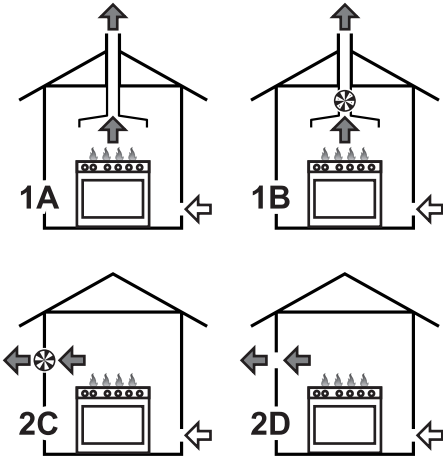
EN

### Replacing nozzles

1. Remove the grids, burner caps and flame-spreader crowns to access the burner cups.
2. Replace the nozzles using a 7 socket wrench according to the gas to be used (see "Burner and nozzle specifications tables").



3. Replace the burners in their respective housings.



- 1 Extraction using a hood
- 2 Extraction without a hood

- A Single natural draught chimney
- B Single chimney with extractor fan
- C Directly outdoors with wall- or window-mounted extractor fan
- D Directly outdoors through wall

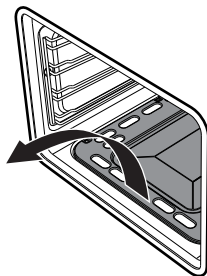
- Air
- Combustion products
- Extractor fan



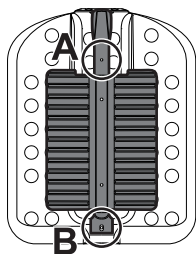
# Installation

## Replacing the oven burner nozzle

1. Open the door.
2. Remove all accessories from inside the oven.
3. Lift up the oven surface and pull it outwards.



4. Loosen the screws **A** and **B**.
5. Move away the lock that secures the thermocouple and igniter to the burner with screw **A**.



6. Take out the burner pulling it outwards until the nozzle is accessible.
7. Replace the nozzle using a 7 socket wrench.



Take care not to damage the thermocouple or the igniter when doing this.

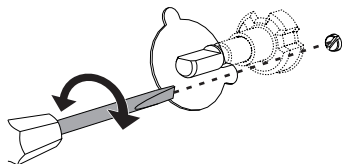
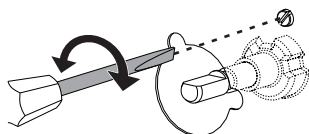


The tightening torque of the nozzle must be 4 Nm.

## Adjusting the minimum setting for natural or town gas

Light the burner and turn it to the minimum position. Extract the gas cock knob and turn the adjustment screw next to the tap rod (depending on the model) until the correct minimum flame is achieved.

Refit the knob and verify that the burner flame is stable. Turn the knob rapidly from the maximum to the minimum setting: The flame should not go out. Repeat the operation on all gas cocks.

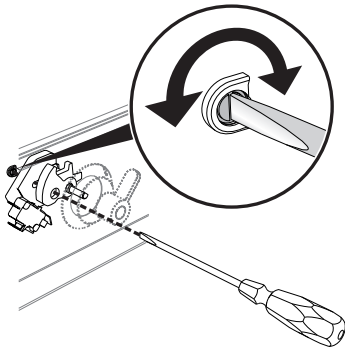




## Adjusting the oven burner minimum setting

The oven thermostat is equipped with a screw for regulating the minimum. When changing the type of gas supply, the minimum must be adjusted as follows:

1. Light the oven burner and keep it at maximum for 10-15 minutes with the door closed and without the shelf installed. Then turn the knob to the minimum temperature.
2. Slide off the knob and insert a straight edge screwdriver to make the adjustment.
3. If using liquid gas the adjustment screw must be tightened clockwise to the very end.



## Adjusting the minimum setting for LPG

Tighten the screw located at the side of the cock rod clockwise all the way.



Following adjustment to a gas other than the one originally set in the factory, replace the gas setting label on the appliance with the one corresponding to the new gas. The label is inserted inside the nozzle pack (where present).

EN

## Lubricating the gas cocks

Over time the gas cocks may become difficult to turn and get blocked. Clean them internally and replace the lubrication grease.



Lubrication of the gas cocks should be performed by a specialised technician.



# Installation

## Gas types and Countries

Gas types		IT	GB-IE	FR-BE	DE	AT	NL	ES	PT	SE	RU	DK	PL	HU
<b>Natural Gas G20</b>														
G20	20 mbar	•	•		•	•		•	•	•	•	•		
<b>LPG G30/31</b>														
G30/31	28/37 mbar		•	•				•			•			
G30/31	30/37 mbar	•							•					
<b>City Gas G110</b>														
G110	8 mbar	•								•		•		
<b>City Gas G120</b>														
G120	8 mbar									•				



It is possible to identify the available gas types based on the country the appliance is to be installed in. Refer to the heading number to identify the correct values in the "Burner and nozzle specifications tables".





## Burner and nozzle specifications tables

Natural gas G20 - 20 mbar	AUX	SR	UR	Oven
Rated heating capacity (kW)	1.05	1.8	3.9	2.6
Nozzle diameter (1/100 mm)	72	97	135	120
Pre-chamber (printed on nozzle)	(X)	(Z)	(S)	(H3)
Reduced flow rate (W)	400	500	1600	900
LPG G30/31 - 30/37 mbar	AUX	SR	UR	Oven
Rated heating capacity (kW)	1.05	1.8	3.9	2.6
Nozzle diameter (1/100 mm)	50	65	100	76
Pre-chamber (printed on nozzle)	-	-	-	-
Reduced flow rate (W)	400	500	1600	900
Rated flow rate G30 (g/h)	76	131	284	189
Rated flow rate G31 (g/h)	75	129	279	186
Town gas G110 - 8 mbar	AUX	SR	UR	Oven
Rated heating capacity (kW)	1.05	1.8	3.9	2.6
Nozzle diameter (1/100 mm)	145	185	340	245
Pre-chamber (printed on nozzle)	(/8)	(/2)	(/13)	-
Reduced flow rate (W)	400	500	1200	900
Town gas G120 - 8 mbar	AUX	SR	UR	Oven
Rated heating capacity (kW)	1.05	1.8	3.9	2.6
Nozzle diameter (1/100 mm)	135	175	315	215
Pre-chamber (printed on nozzle)	(/8)	(/2)	(/13)	-
Reduced flow rate (W)	400	500	1400	900

The nozzles not provided are available at Authorised Service Centres.



# Installation

## 5.3 Positioning



**Heavy appliance**  
**Crushing hazard**

- Position the appliance into the cabinet cut-out with the help of a second person.



**Pressure on the open door**  
**Risk of damage to the appliance**

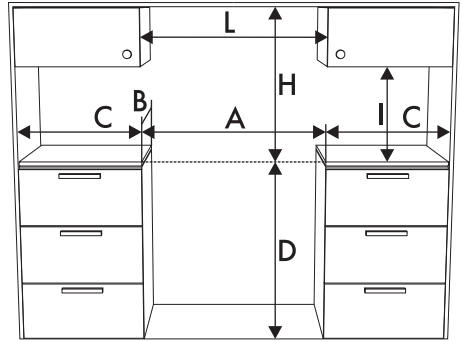
- Never use the oven door to lever the appliance into place when fitting.
- Avoid exerting too much pressure on the door when open.



**Heat production during appliance operation**  
**Risk of fire**

- Veneers, adhesives or plastic coatings on adjacent furniture should be temperature-resistant (not less than 90 °C).

## Dimensions



<b>A</b>	600 mm
<b>B</b>	600 mm
<b>C<sup>1</sup></b>	min. 100 mm
<b>D</b>	900 mm
<b>H*</b>	750 mm
<b>I</b>	450 mm
<b>L<sup>2</sup></b>	800 mm

<sup>1</sup> Minimum distance from side walls or other flammable material.

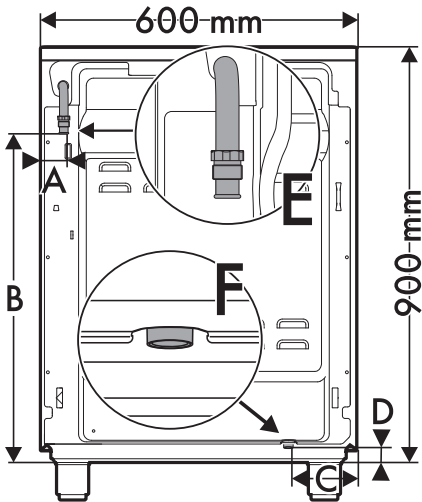
<sup>2</sup> Minimum cabinet width (=A)

\* If there is a piece of furniture above the appliance. In case of hood, refer to the values on the dedicated manual.



## Position of gas and electrical connections

Depending on the type of installation, this appliance belongs to classes:



A	53 mm
B	623 mm
C	121 mm
D	27 mm

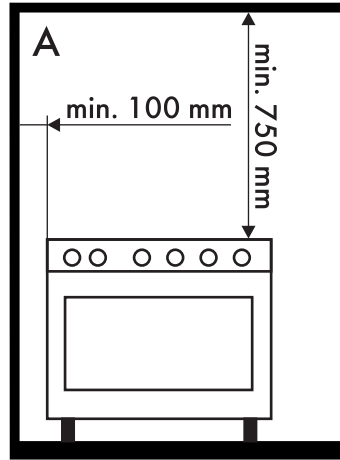
E Gas connection

F Electrical connection

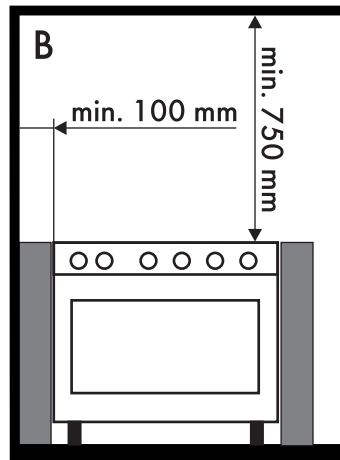
## General information

This appliance may be installed next to walls, one of which must be higher than the worktop, at a minimum distance of 100 mm from the side of the appliance, as shown in figures **A** and **C** relative to the installation classes.

Any wall units positioned above the worktop of the appliance must be at a minimum distance of at least 750 mm. If a hood is installed above the hob, refer to the hood instruction manual to ensure the correct clearance is left.



**A - Class 1**  
(Free-standing appliance)



**B - Class 2 subclass 1**  
(Built-in appliance)



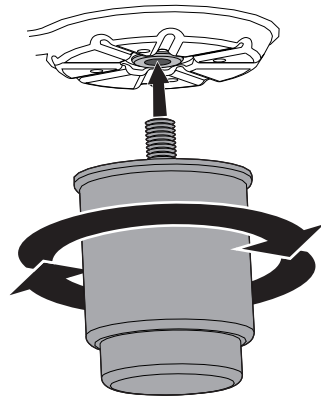
# Installation

## Positioning and levelling



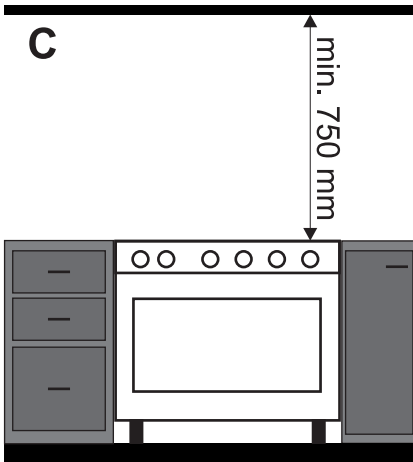
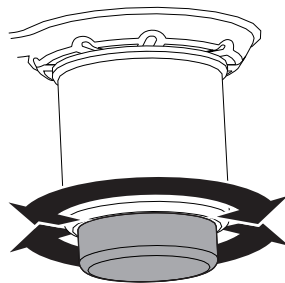
Heavy appliance  
Risk of damage to the appliance

- Insert the front feet first and then the rear ones.
- After making the gas and electrical connections, screw on the four feet supplied with the appliance.



The appliance must sit level on the floor to ensure stability:

- Screw or unscrew the bottom part of the foot until the appliance is stable and level on the floor.



C - Class 2 subclass 1  
(Built-in appliance)



The appliance must be installed by a qualified technician and according to the regulations in force.

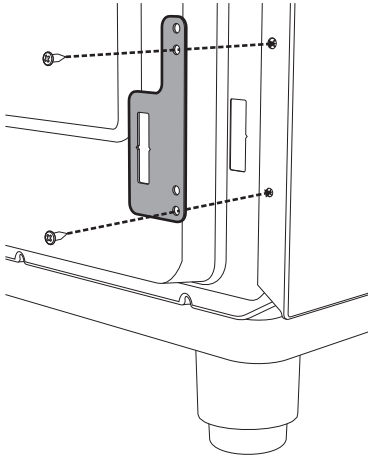


## Fastening to the wall

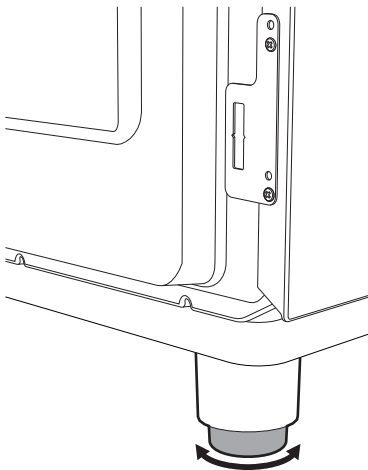


The anti-tip devices must be installed in order to prevent the appliance from tipping over.

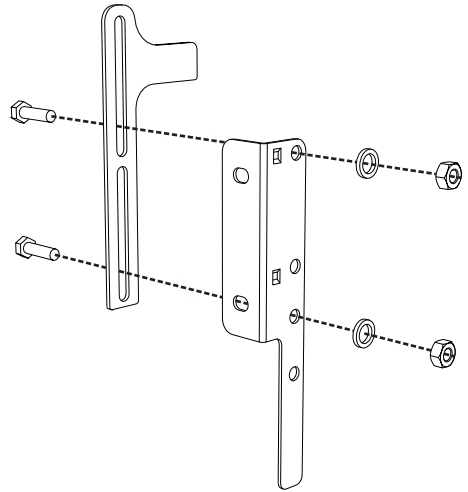
1. Screw the wall fastening plate to the rear of the appliance.



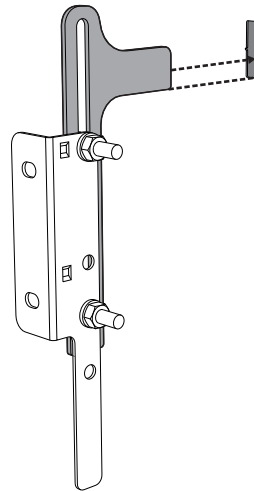
2. Adjust the height of the 4 feet.



3. Assemble the fastening bracket.



4. Align the base of the hook on the fastening bracket with the base of the slot on the wall fastening plate.

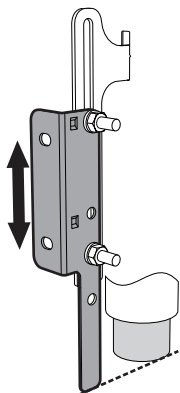


EN

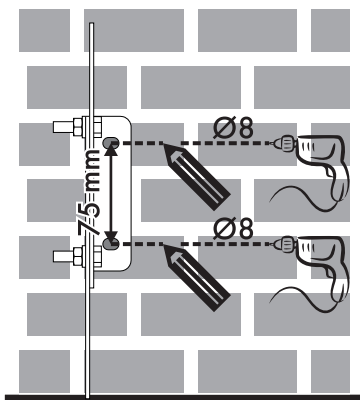


## Installation

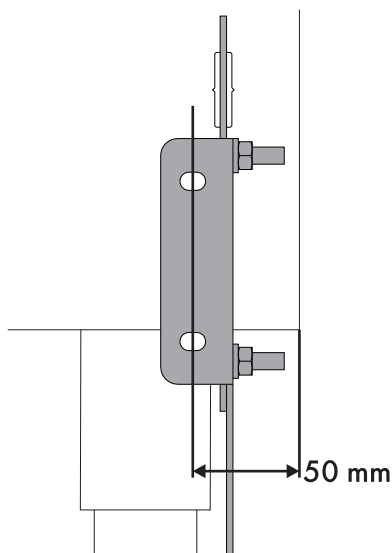
5. Align the base of the fastening bracket with the ground and tighten the screws to fix the measurements.



7. Move the bracket onto the wall and mark the position of the holes to be drilled in the wall.

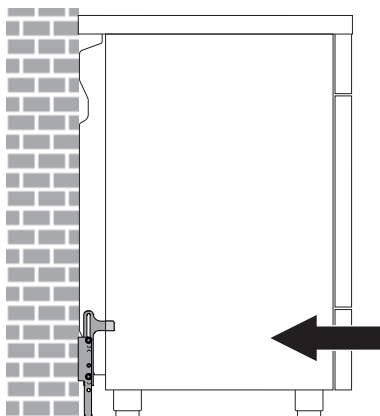


6. Use 50 mm for the distance from the side of the appliance to the bracket holes.



8. After drilling the holes in the wall, use wall plugs and screws to fasten the bracket to the wall.

9. Push the cooker towards the wall, and at the same time, insert the bracket in the plate fastened to the rear of the appliance.





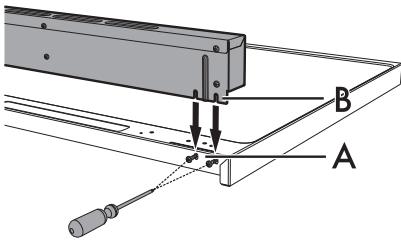
## Assembling the upstand



The upstand provided is an integral part of the product; it must be fastened to the appliance prior to installation.

The upstand must always be positioned and secured correctly on the appliance.

1. Loosen the 4 screws (**A**) on the back of the hob (2 for each side) using a screwdriver.
2. Place the upstand on the worktop.
3. Align the slots of the upstand (**B**) with the screws (**A**).



4. Secure the upstand to the hob by tightening the 4 screws previously loosened.

## 5.4 Electrical connection



**Power voltage**  
**Danger of electrocution**

- Have the electrical connection performed by authorised technicians.
- Use personal protective equipment.
- The appliance must be connected to ground in compliance with electrical system safety standards.
- Disconnect the mains power supply.
- Do not pull the cable to remove the plug.
- Use cables withstanding a temperature of at least 90 °C.
- The tightening torque of the screws of the terminal board leads must be 1.5 - 2 Nm.

### General information

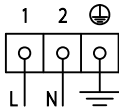
Check the mains characteristics against the data indicated on the plate. The identification plate bearing the technical data, serial number and brand name is visibly positioned on the appliance. Do not remove this plate for any reason. The appliance must be connected to ground using a wire that is at least 20 mm longer than the other wires.



# Installation

The appliance can work in the following modes:

- **220 - 240 V 1N~**



Three-pole  **cable, 3x1.5 mm<sup>2</sup>**.



The values indicated above refer to the cross-section of the internal lead.



The aforementioned power cables are sized taking into account the coincidence factor (in compliance with standard EN 60335-2-6).

## Fixed connection

Fit the power line with an all-pole disconnection switch, with at least 3 mm between its contacts, in compliance with installation regulations.

The circuit breaker should be located near the appliance and in an easily reachable position.

## Connection with plug and socket

Make sure that the plug and socket are of the same type.

Avoid using adapters, gang sockets or extensions as these could cause overheating and a risk of burns.

## Testing

At the end of installation, carry out a brief inspection test. If the appliance fails to operate, after checking that you have followed the instructions correctly, unplug the appliance and contact Technical Support.





## 5.5 Instructions for the installer

- The plug must be accessible after installation. Do not bend or trap the power cable.
- The appliance must be installed according to the installation diagrams.
- Do not try to unscrew or force the threaded elbow of the fitting. You may damage this part of the appliance, which may void the manufacturer's warranty.
- Use soap and water to check for gas leaks on all connections. **DO NOT** use naked flames to find leaks.
- Turn on all the burners separately and at then all together to make sure that the gas valve, burner and ignition are working properly.
- Turn the burner knobs to the minimum position and check that the flame is stable for each individual burner and all the burners together.
- If the appliance does not work correctly after having carried out all the checks, contact your local Authorised Service Centre.
- Once the appliance has been installed, please explain to the user how to use it correctly.

