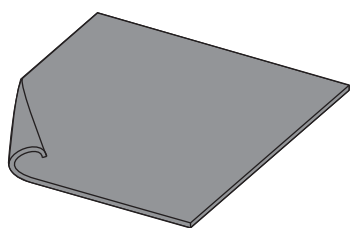
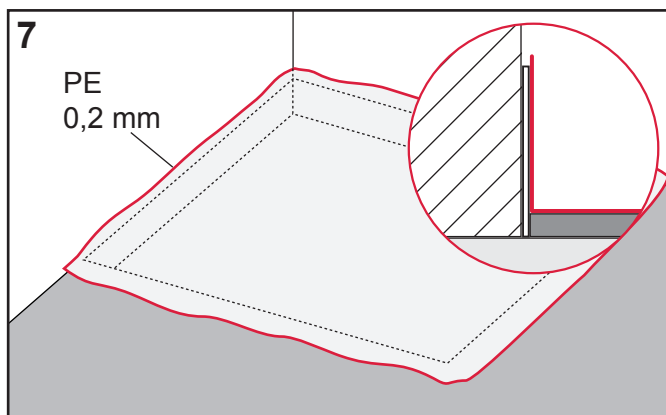
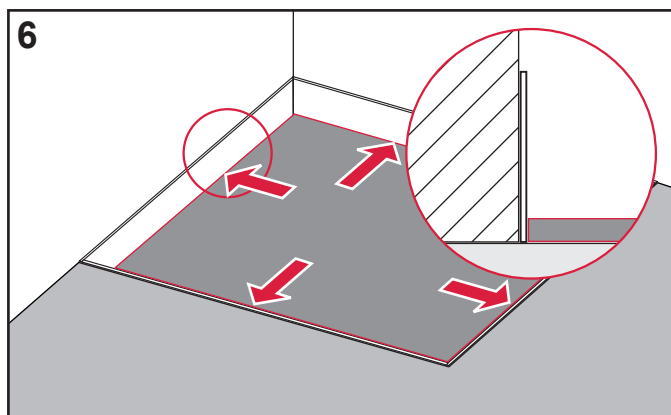
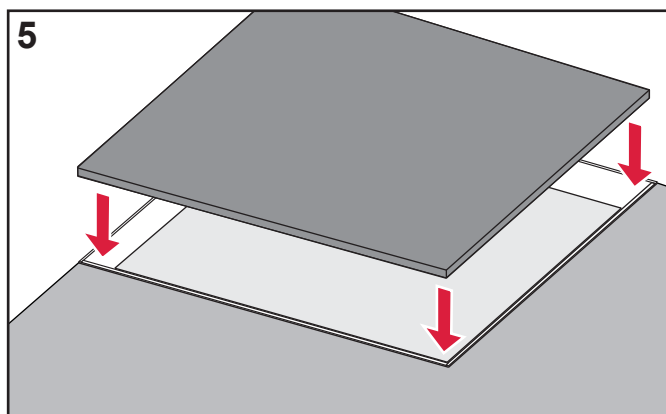
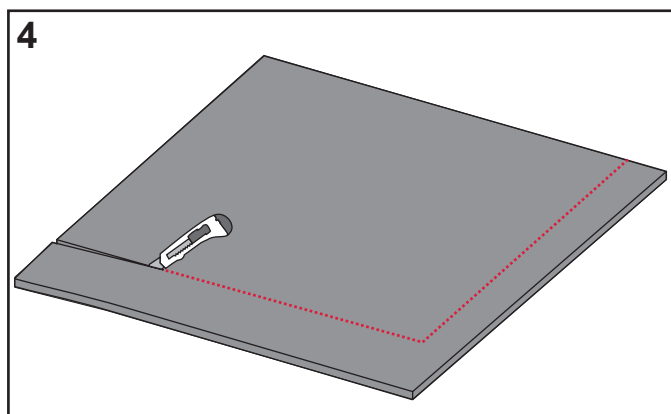
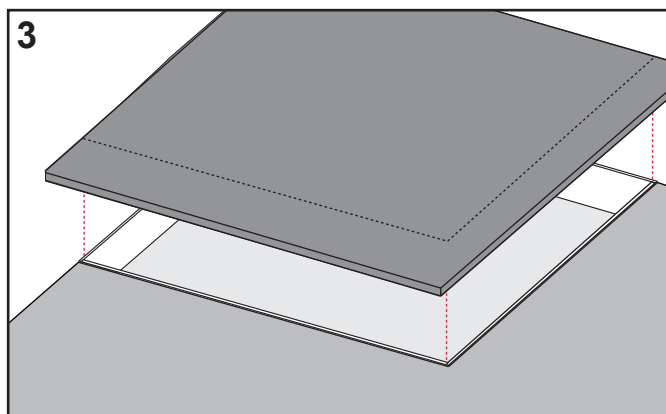
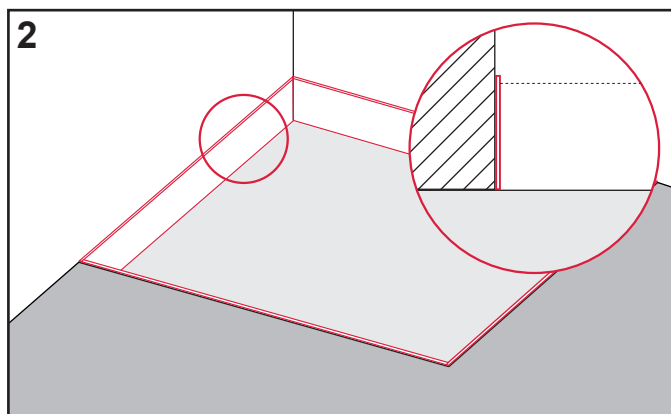
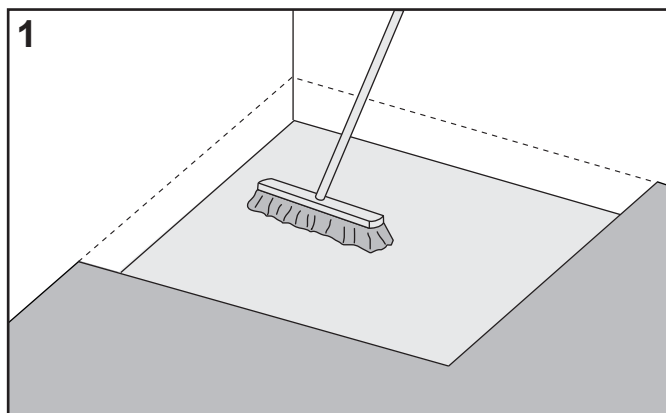


# Drainbase + TECEdrainline/-board



6 600 01  
1250 x 1250 x 6 mm  
6 600 02  
8000 x 1250 x 6 mm



AT430 011 00 b

# TECE: