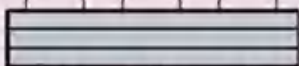
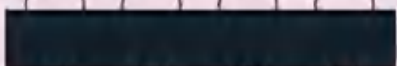


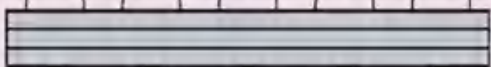
I



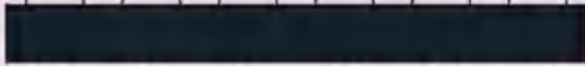
3



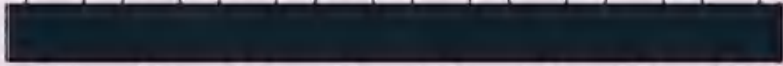
4



5



6



8



0 1 2 3 4 5 6 7 8 9 10 11 12 13 14 15 16

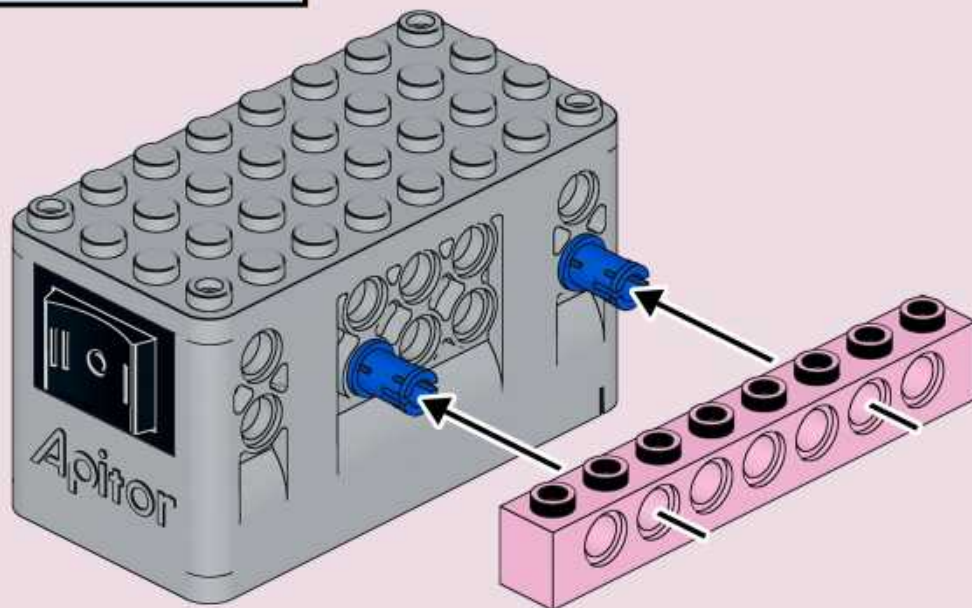
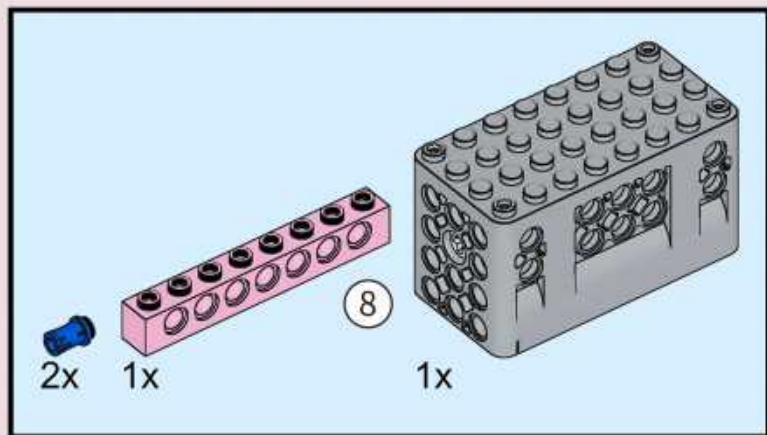


**II**

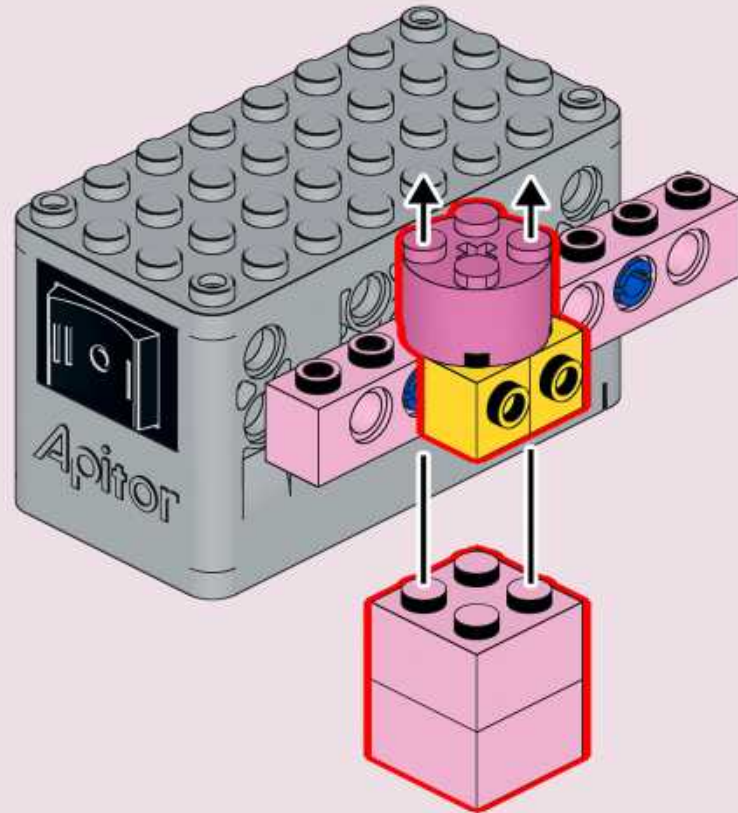
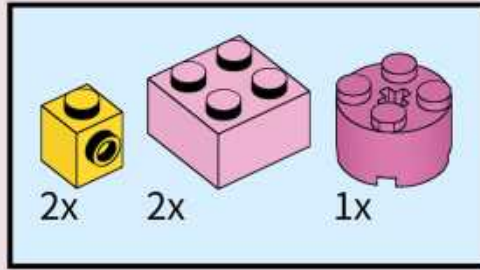


**AA x2**

# 1

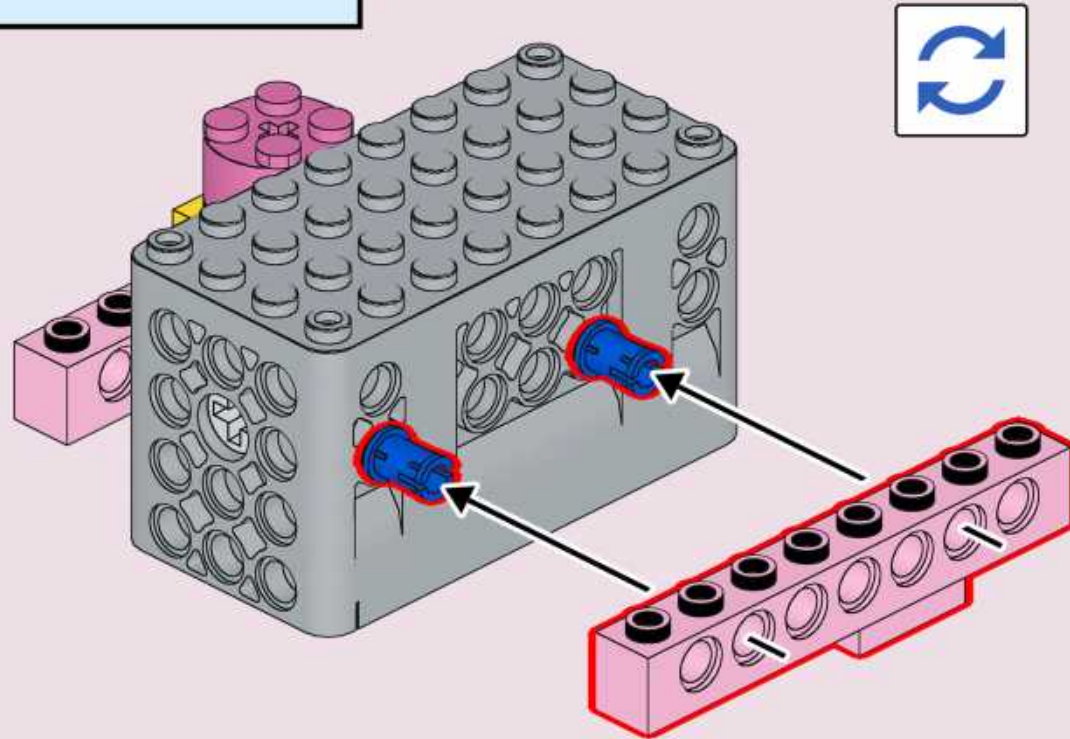
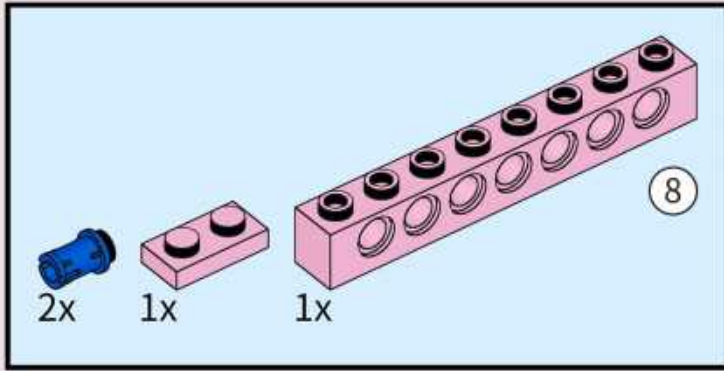


# 2

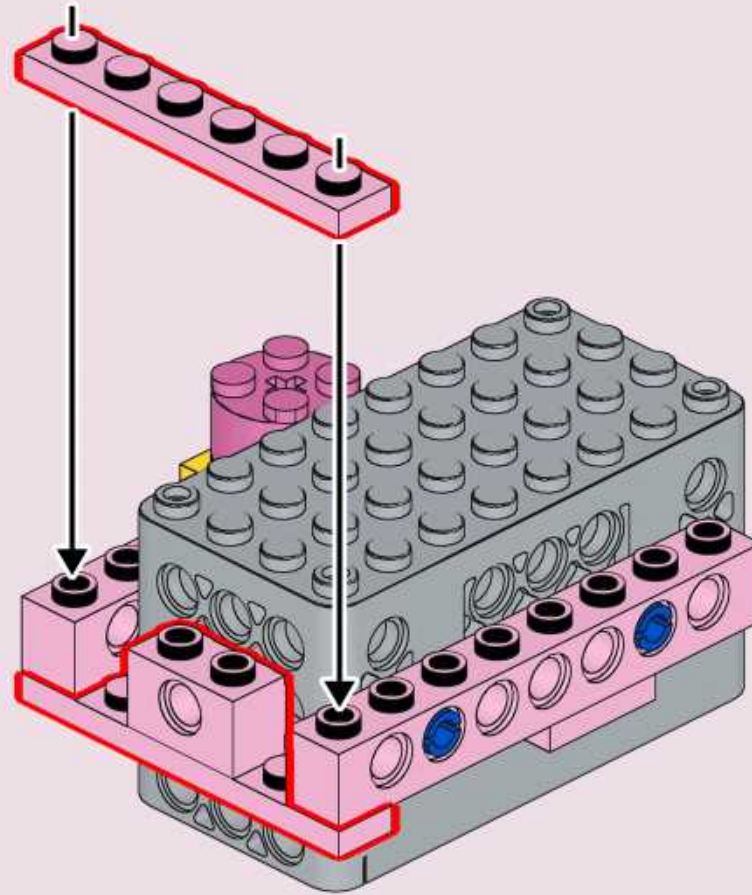
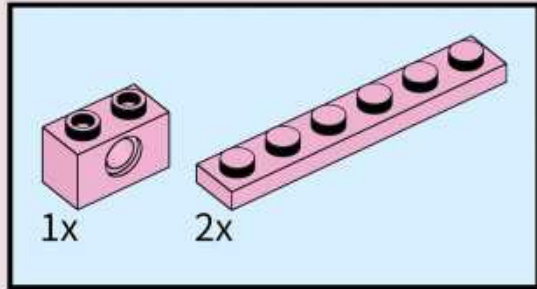




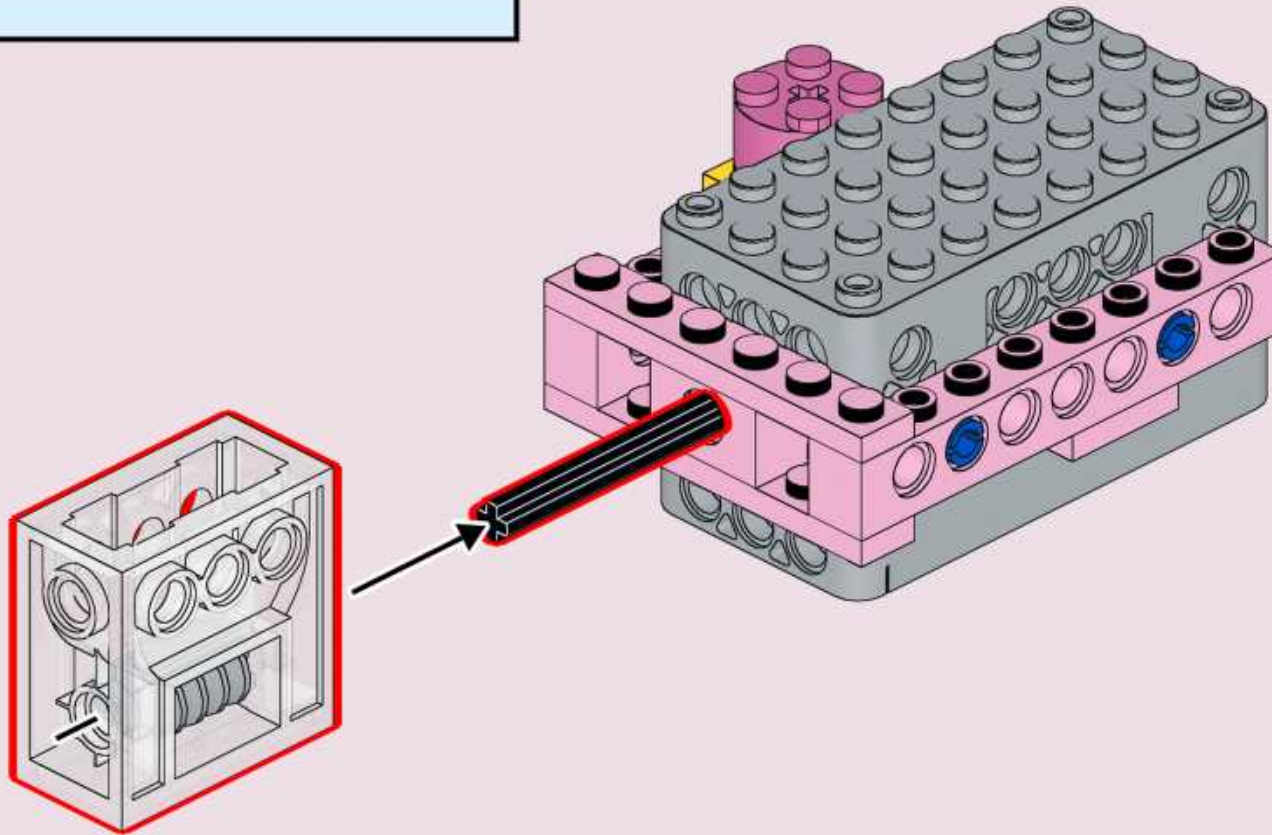
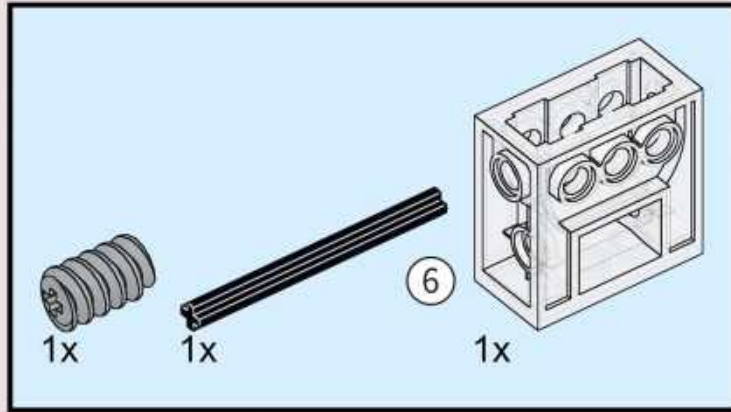
# 3



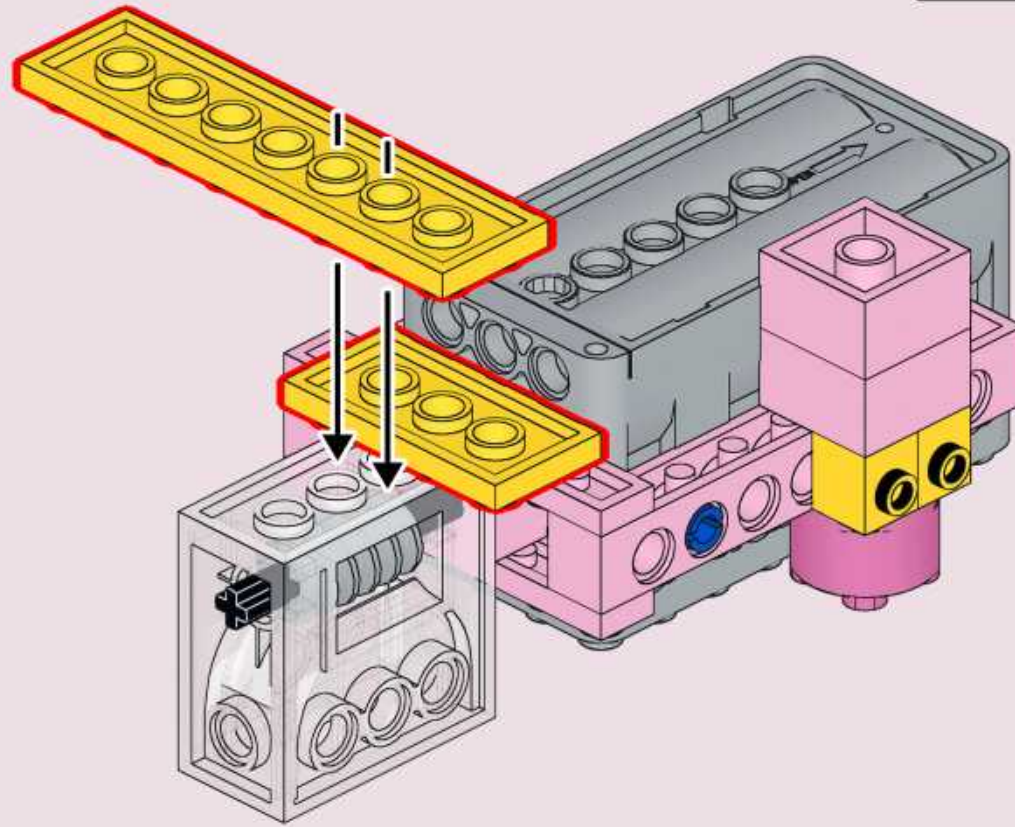
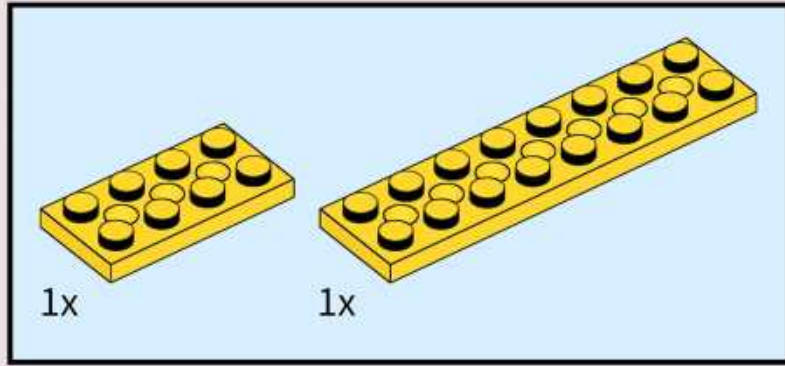
4



# 5

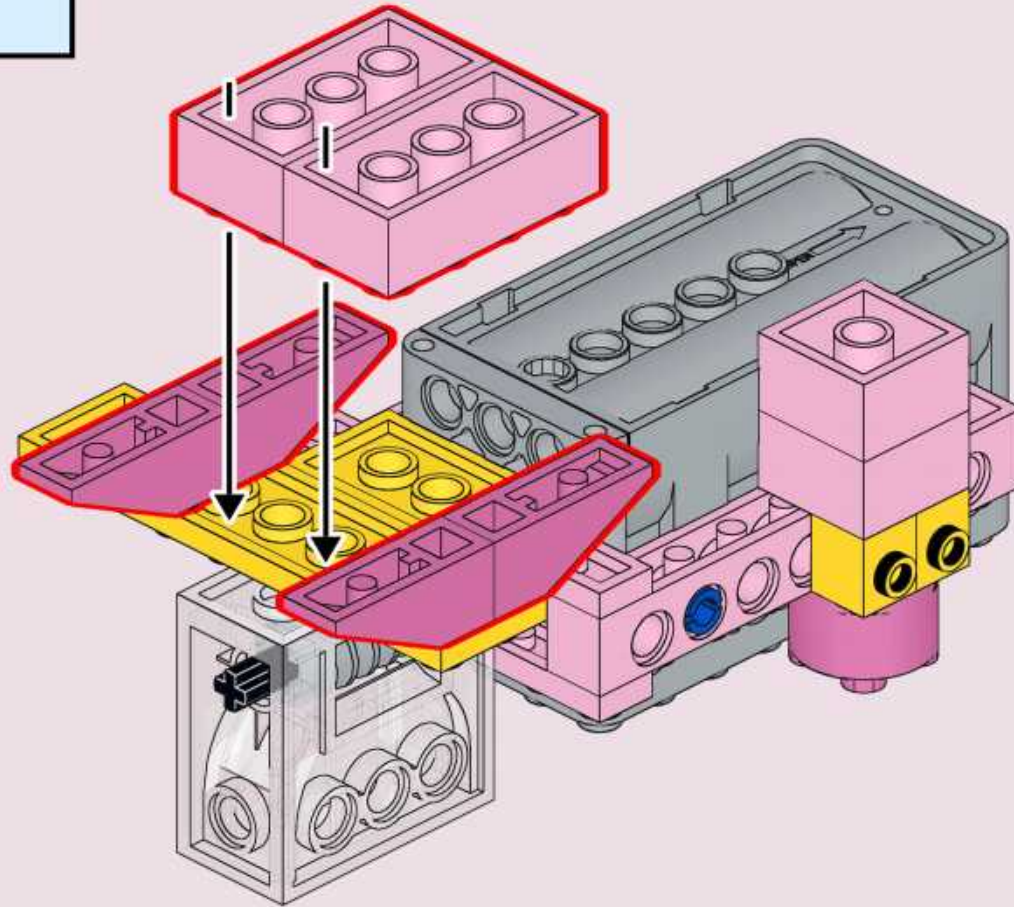
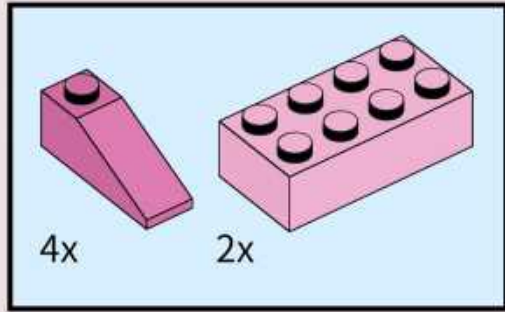


6

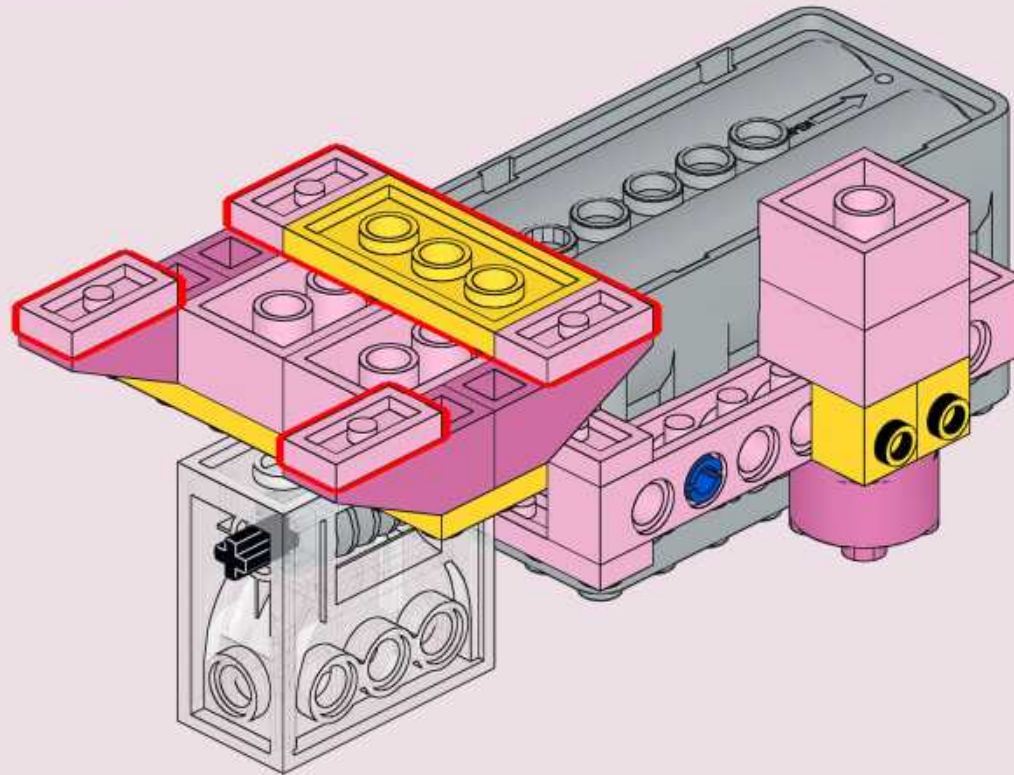
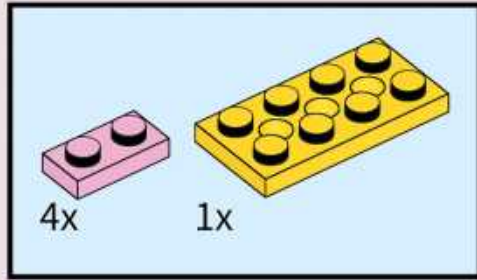




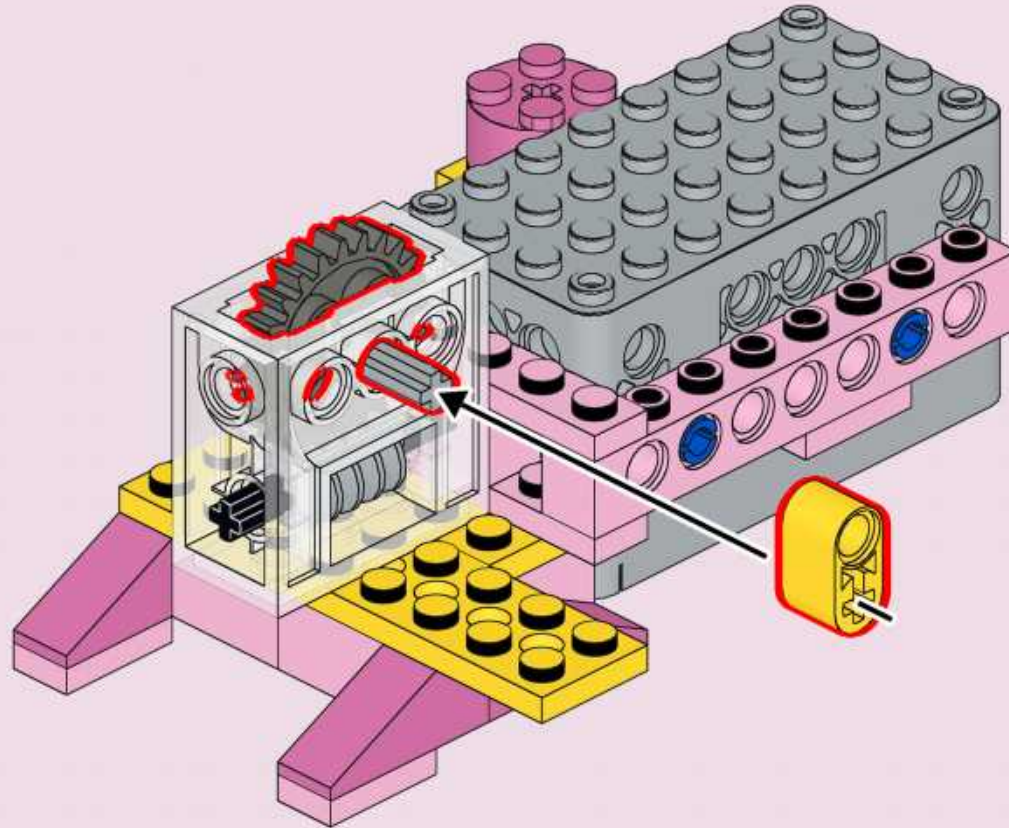
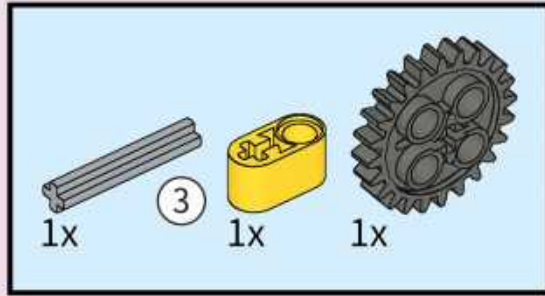
7



8



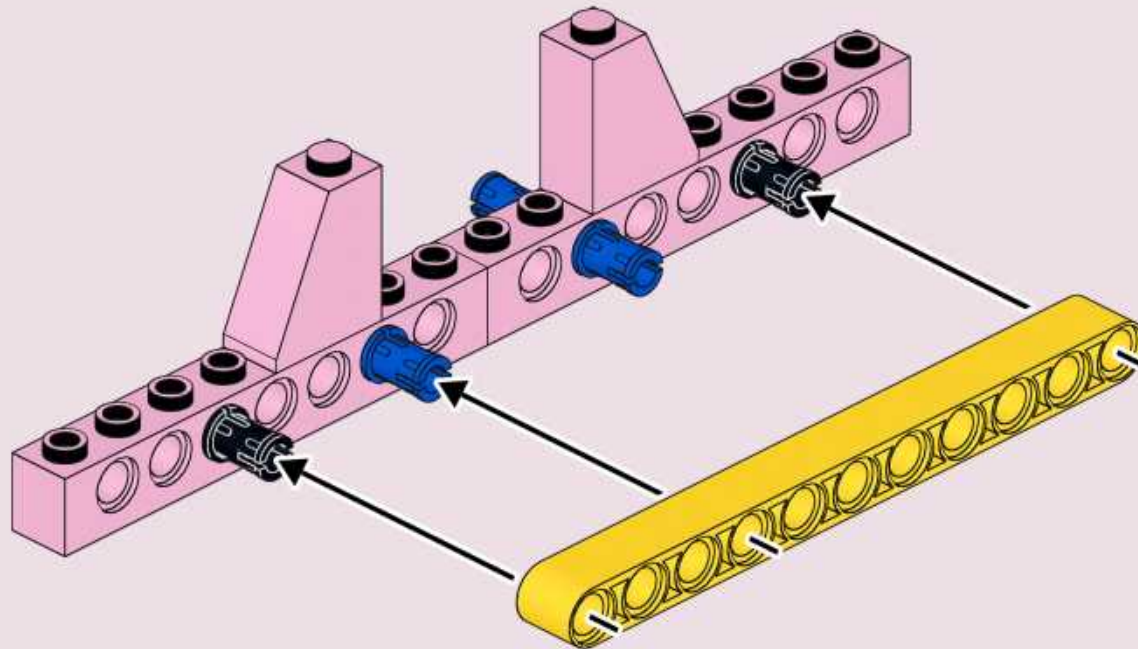
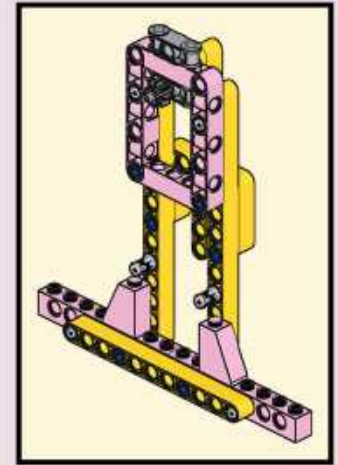
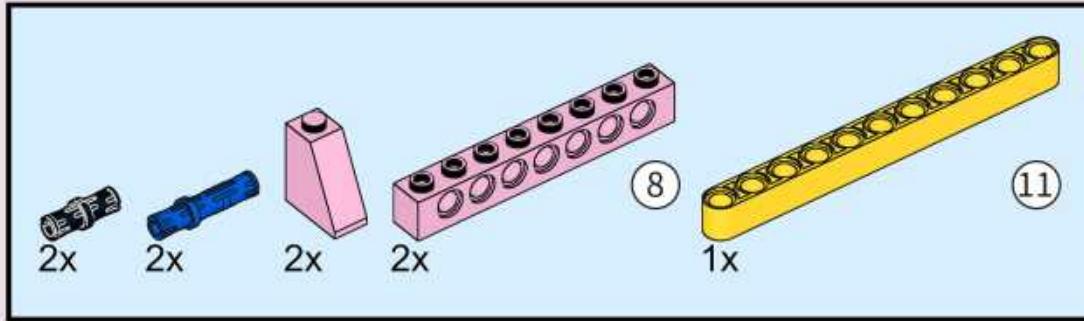
# 9



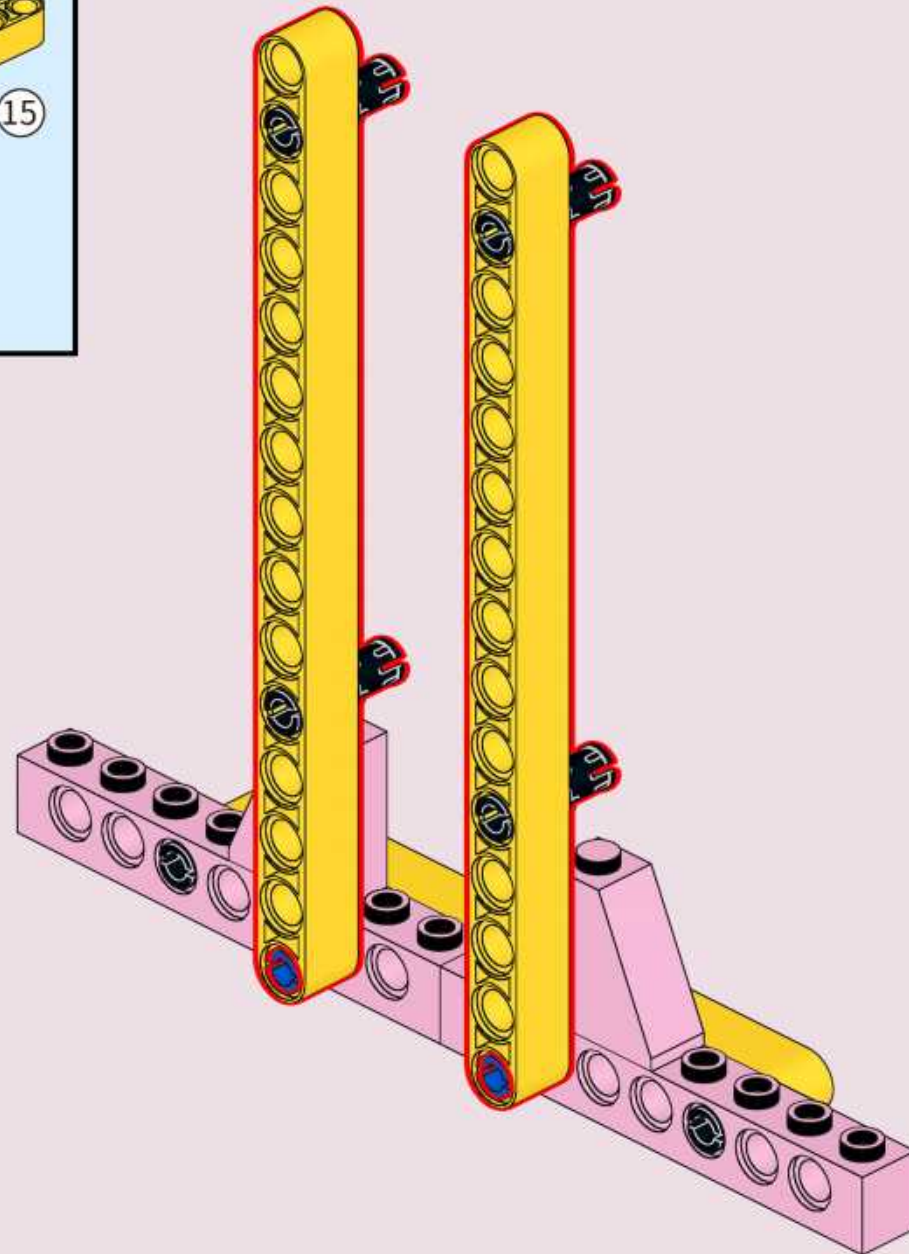
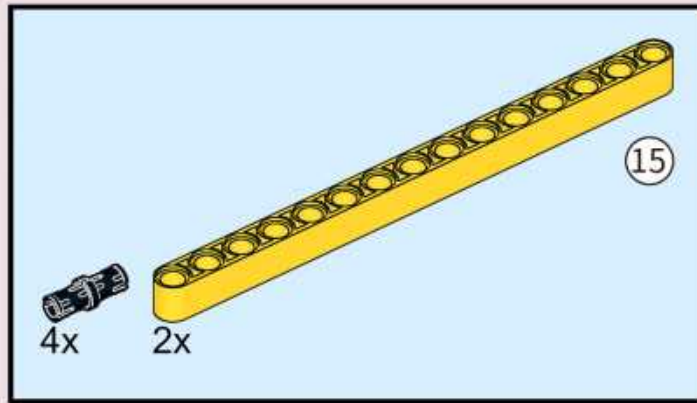




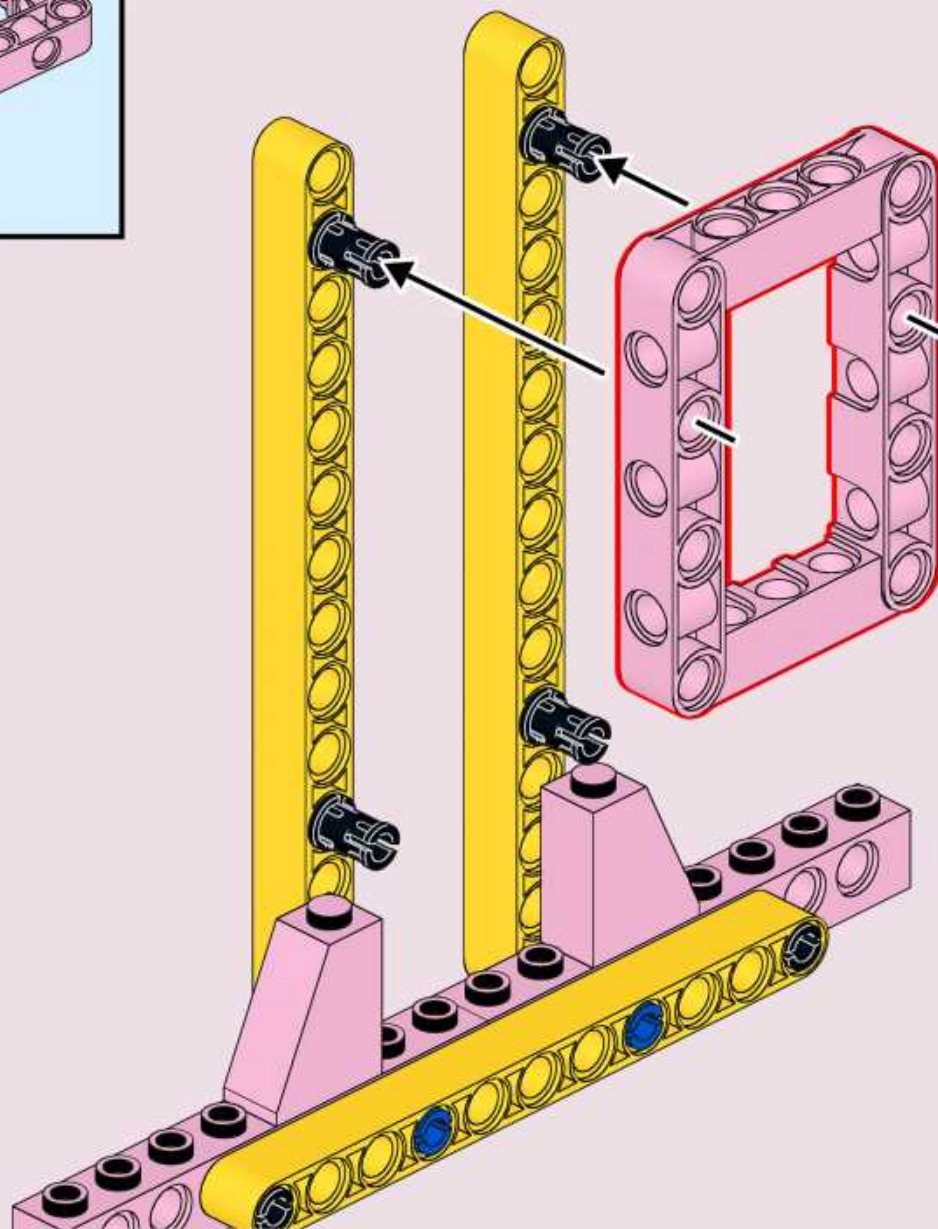
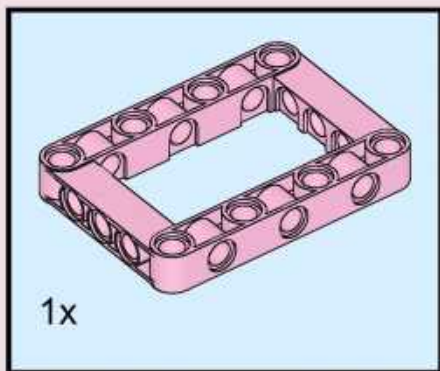
# 11



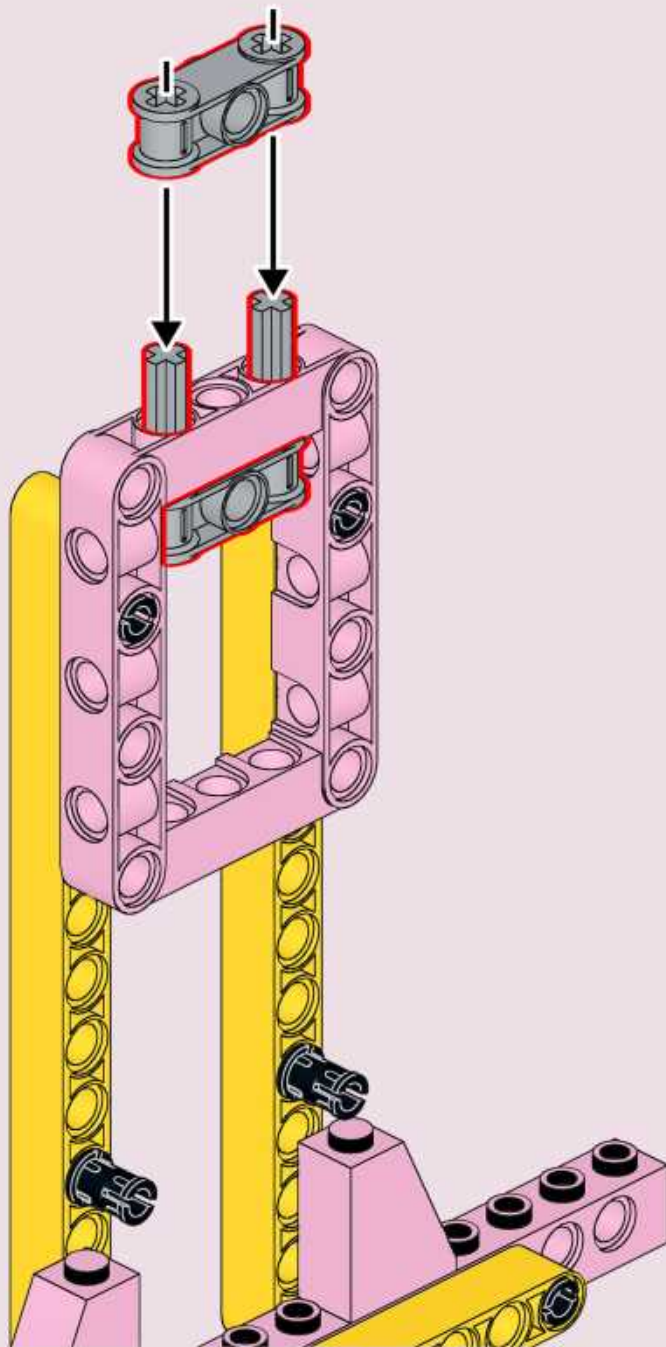
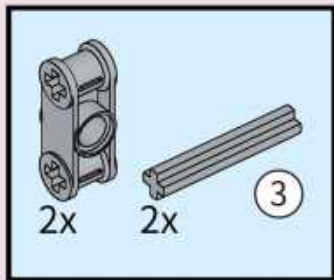
# 12



# 13

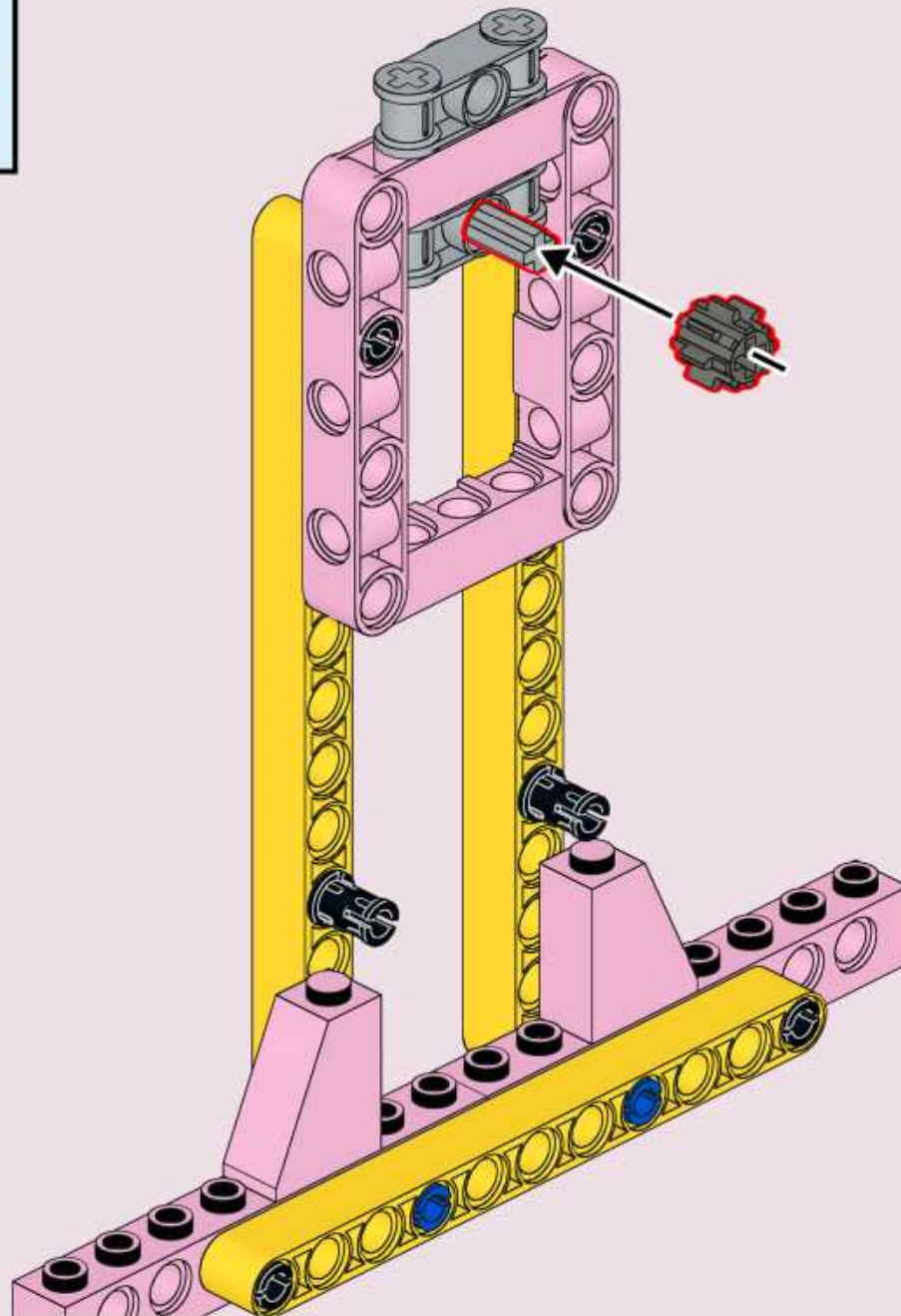
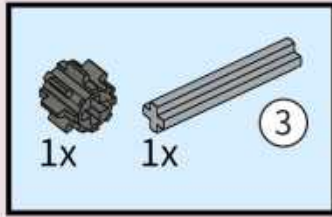


# 14

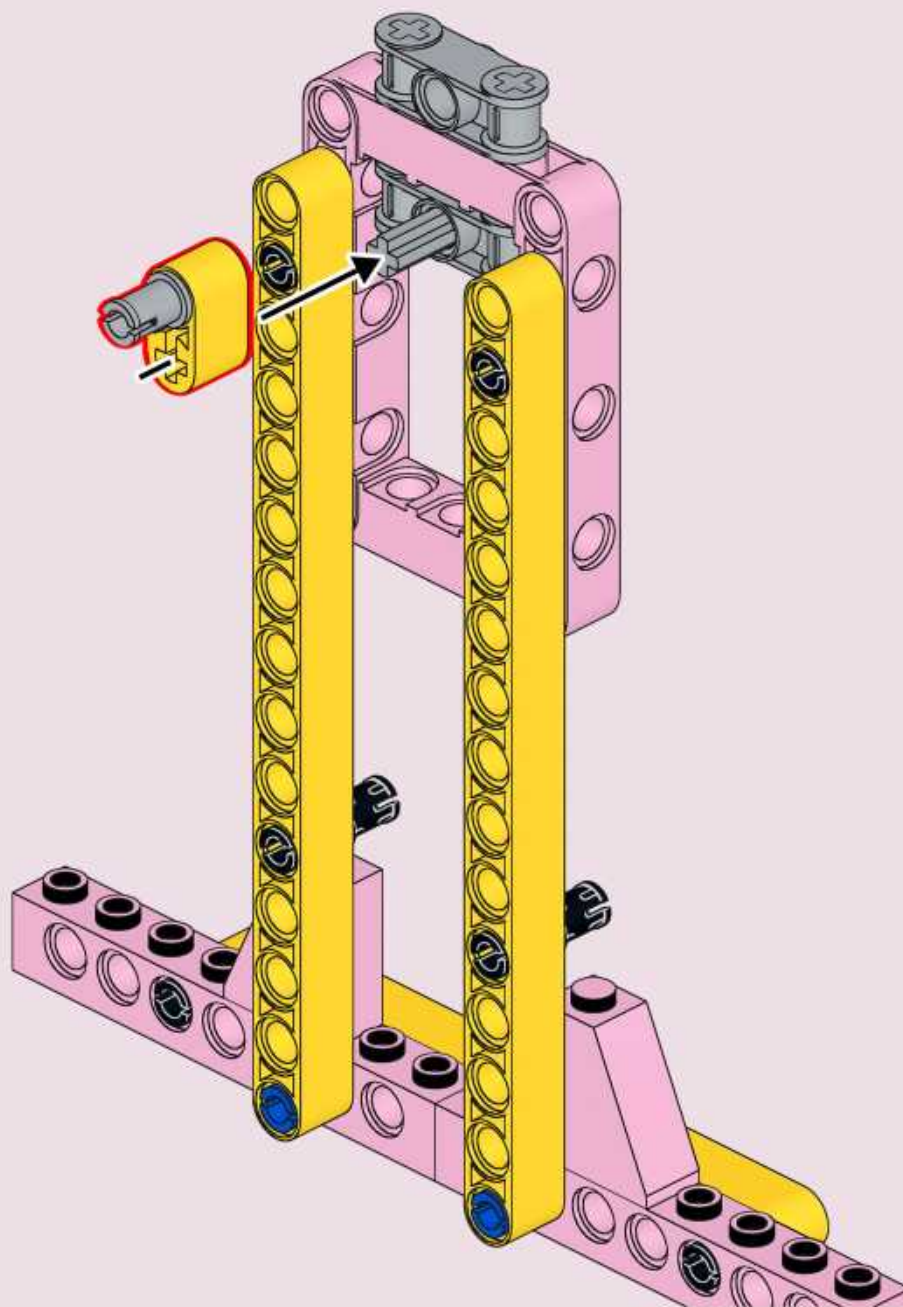
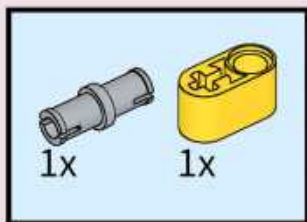




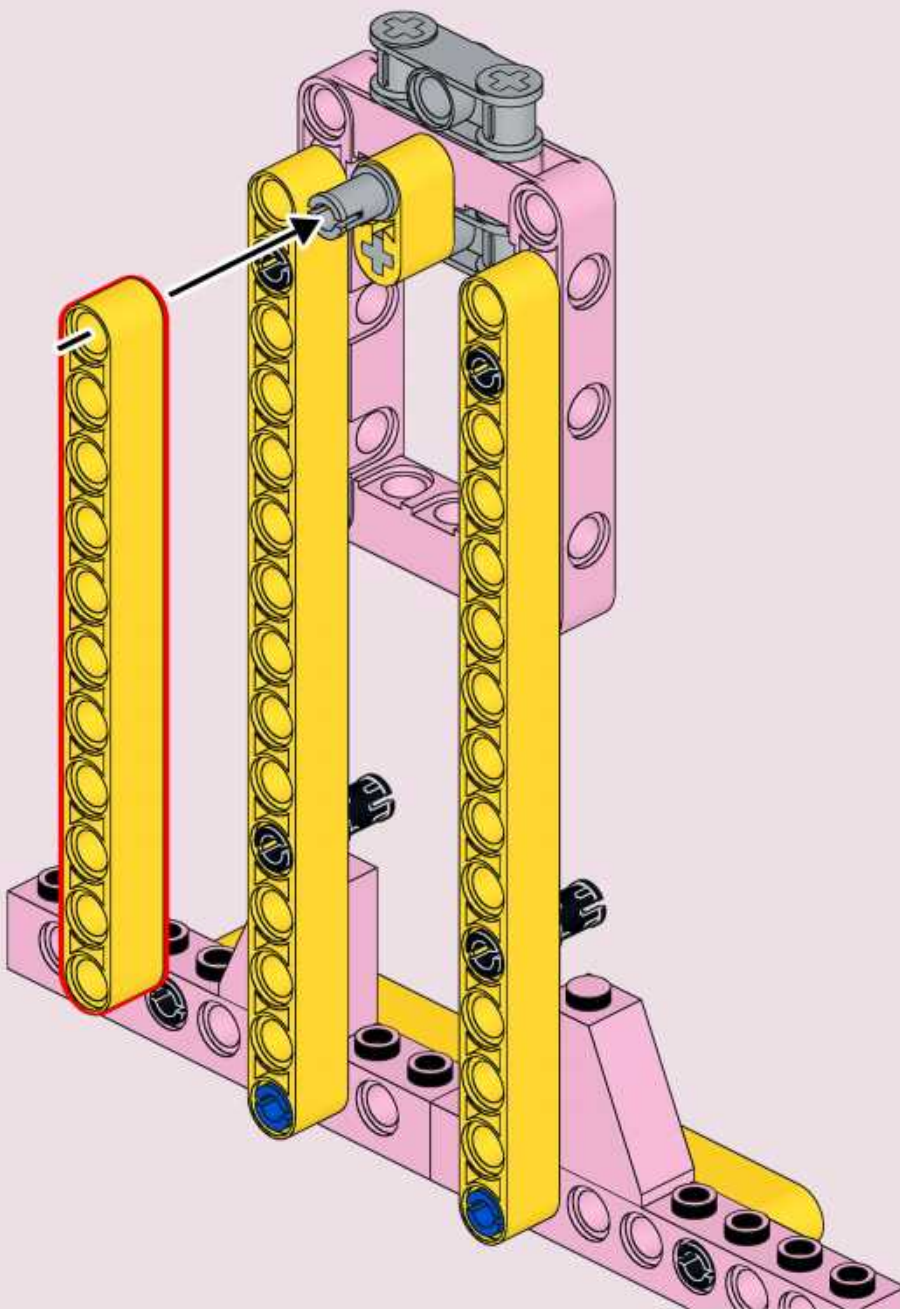
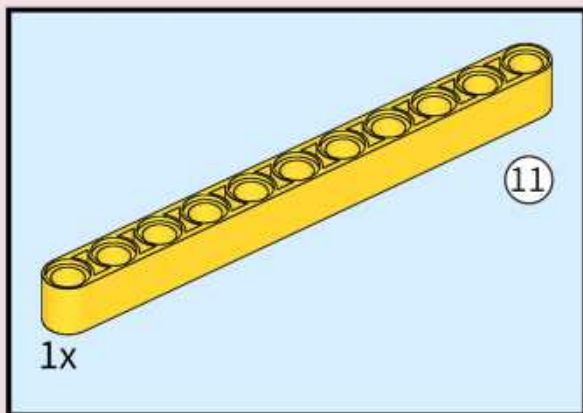
# 15



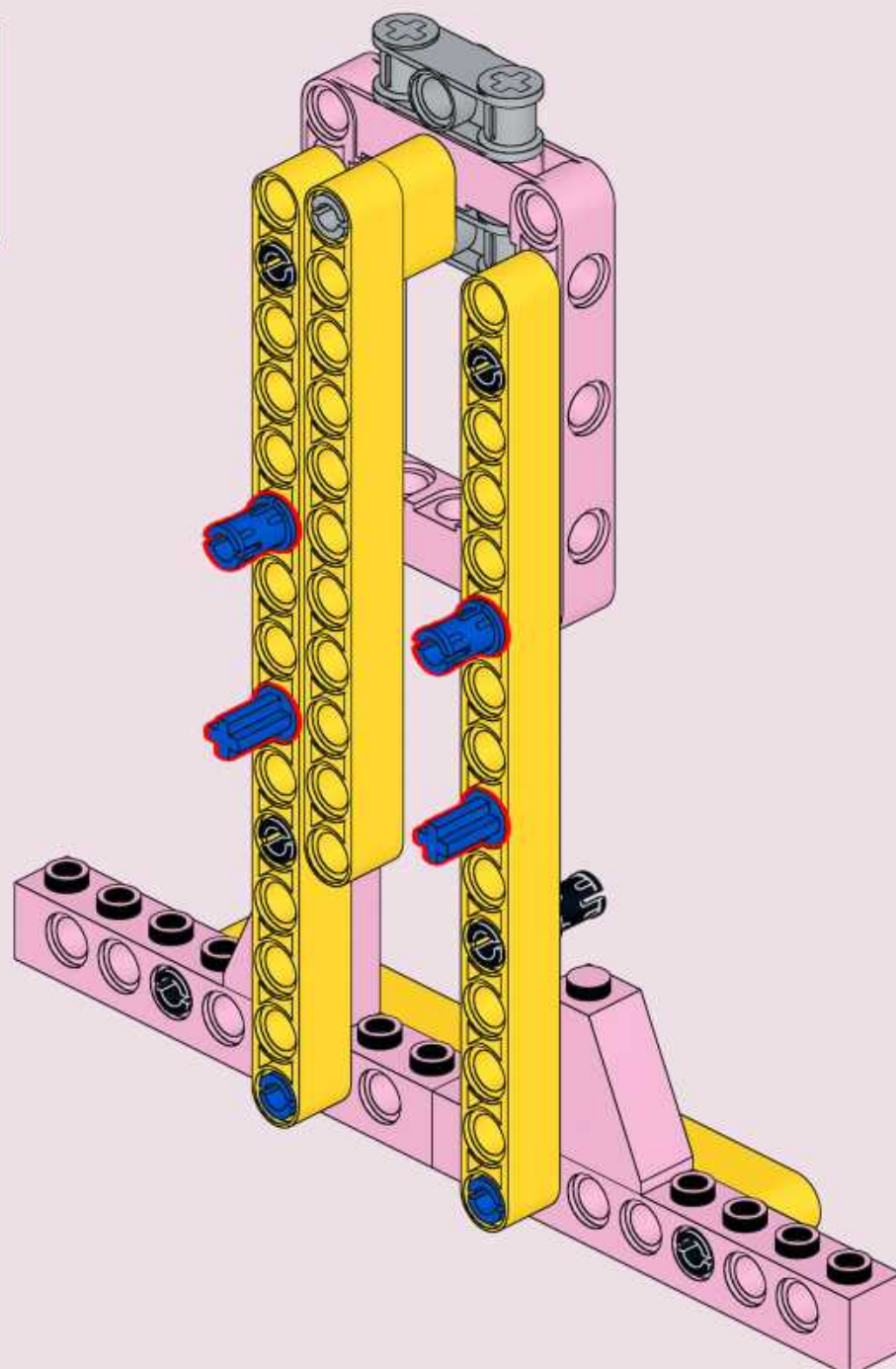
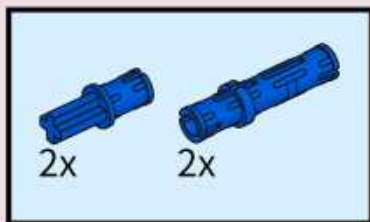
# 16



# 17

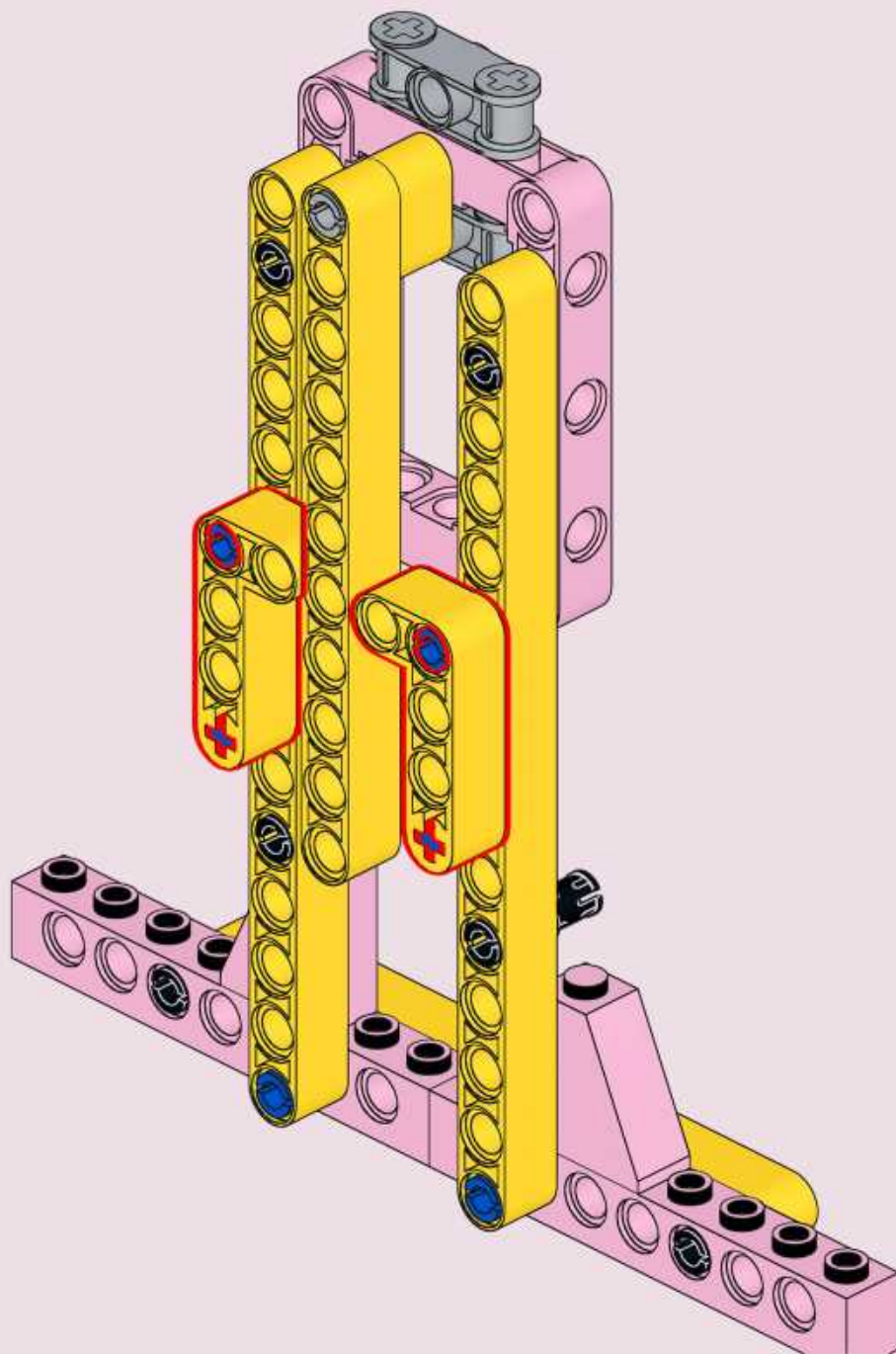
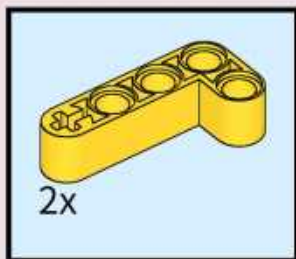


# 18

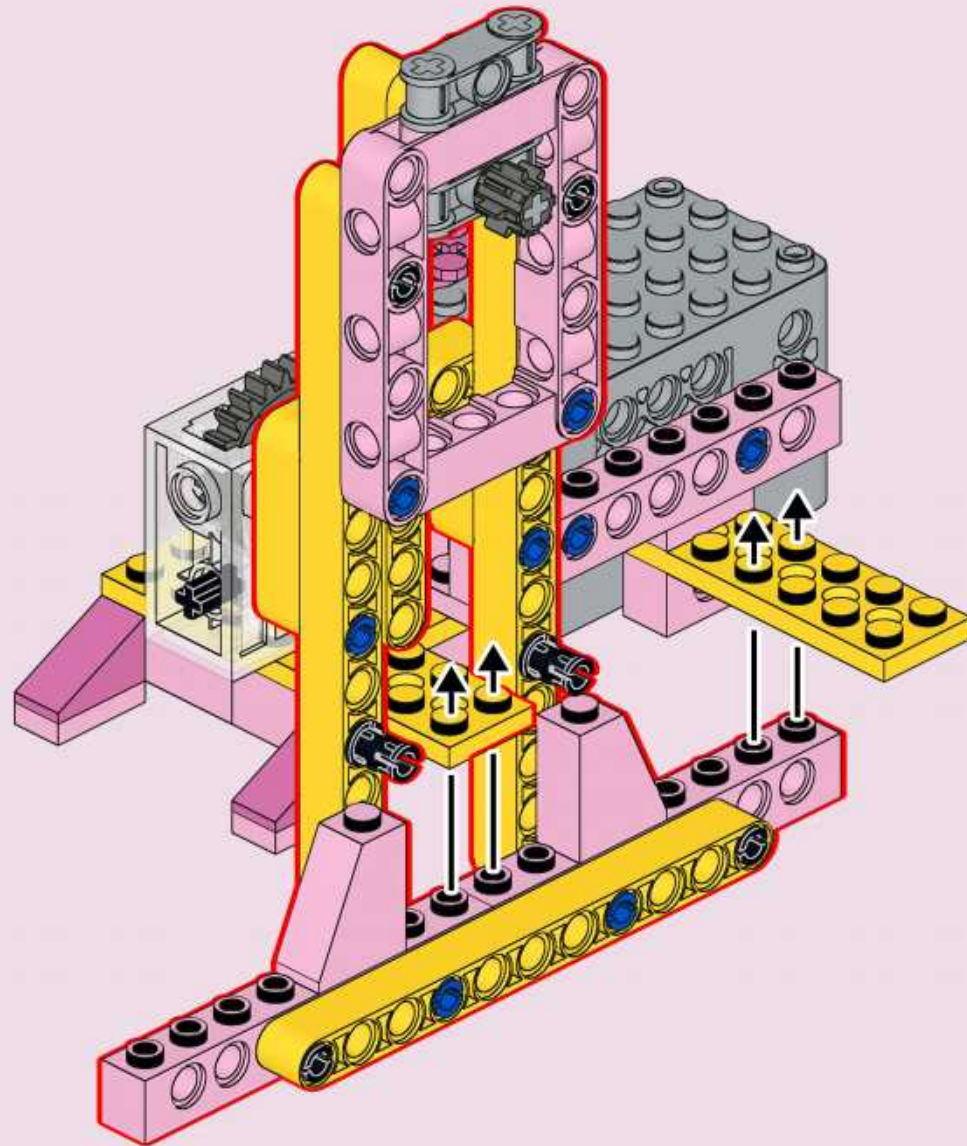




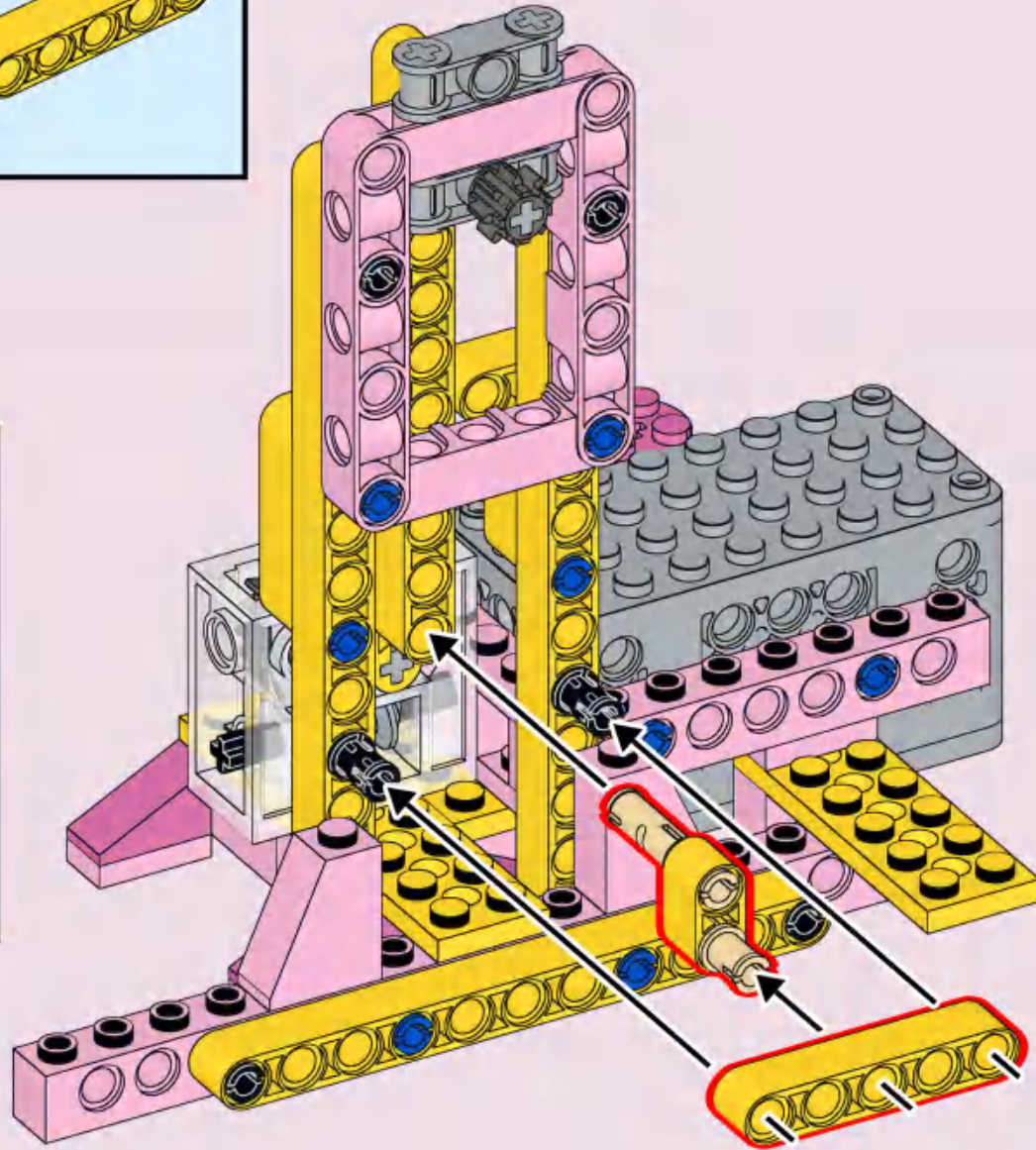
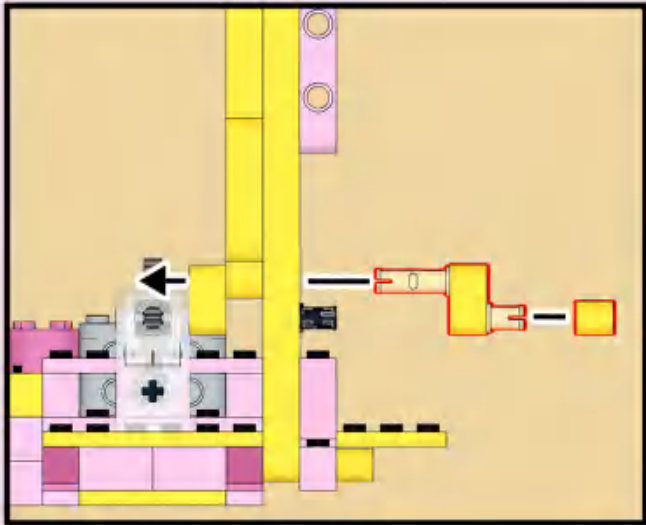
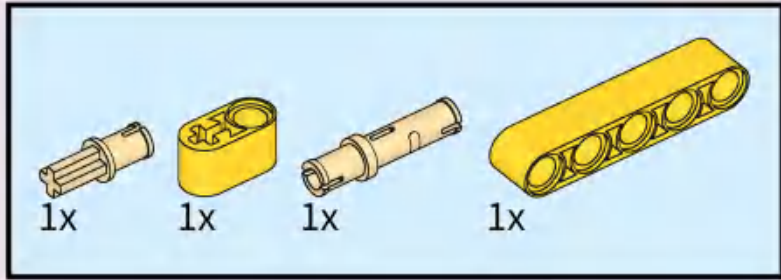
# 19



# 20

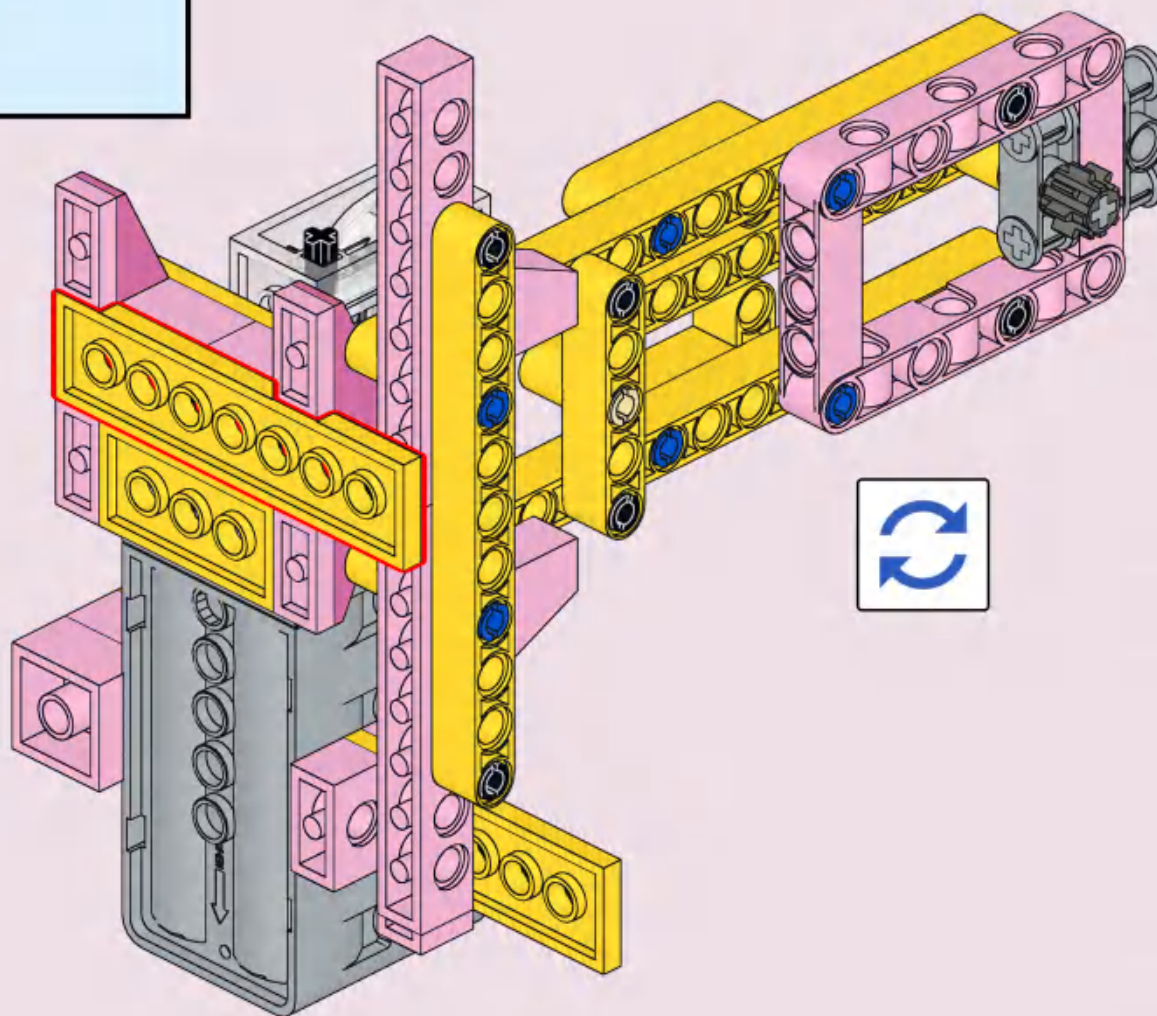
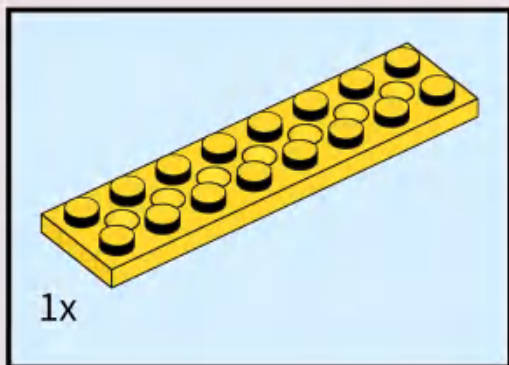


# 21



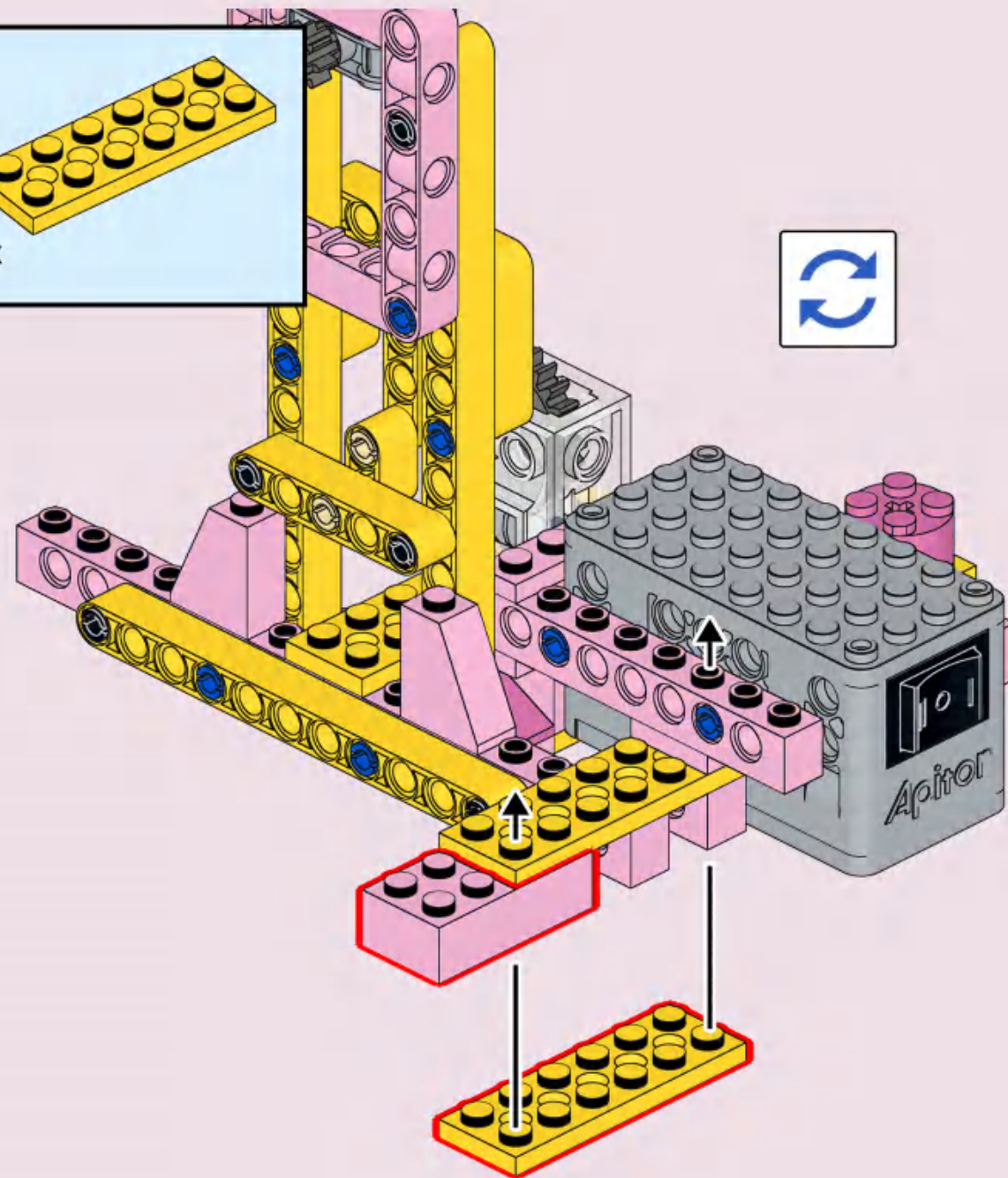
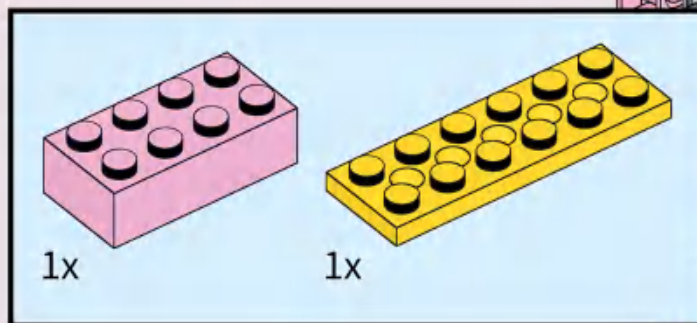


# 22

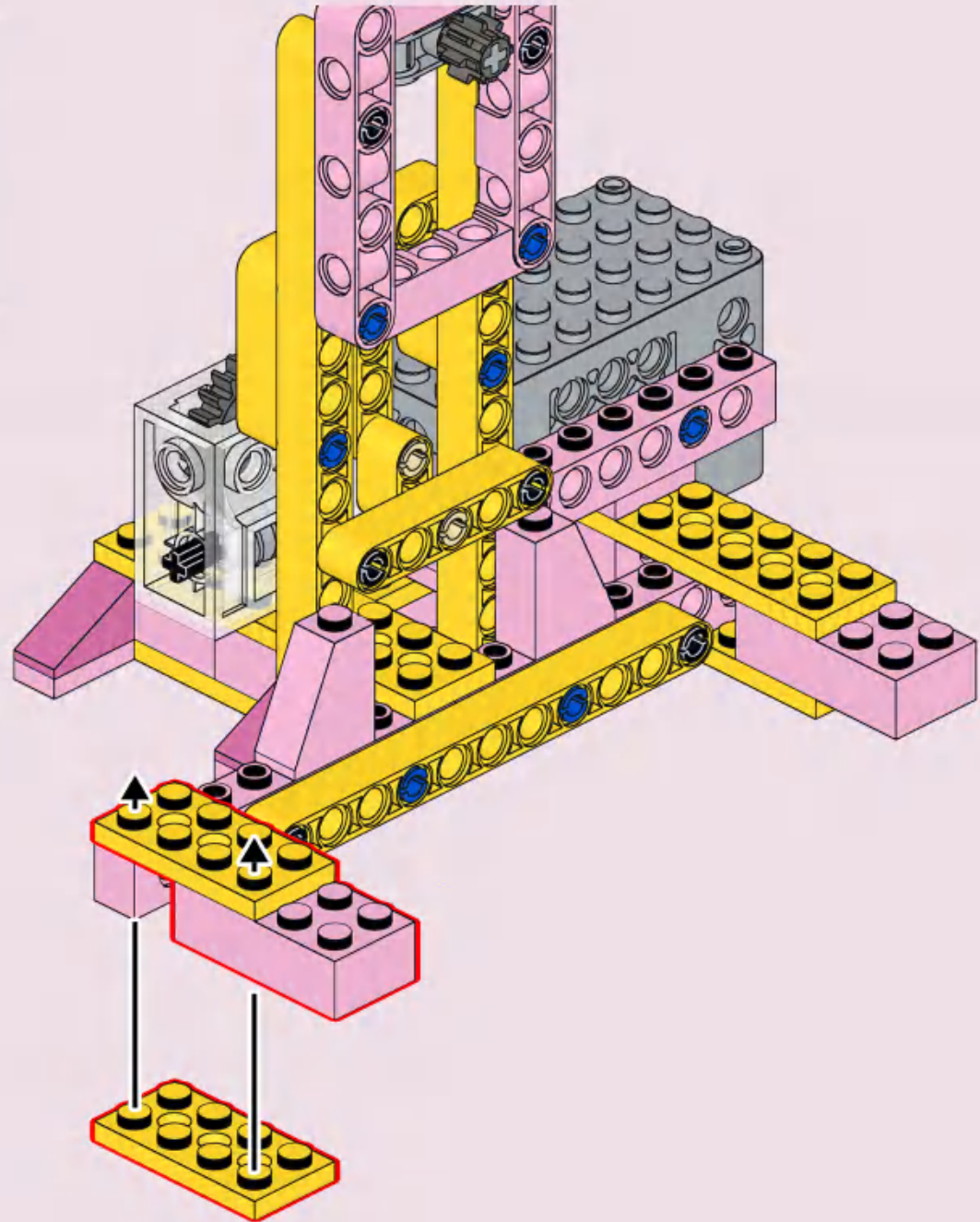
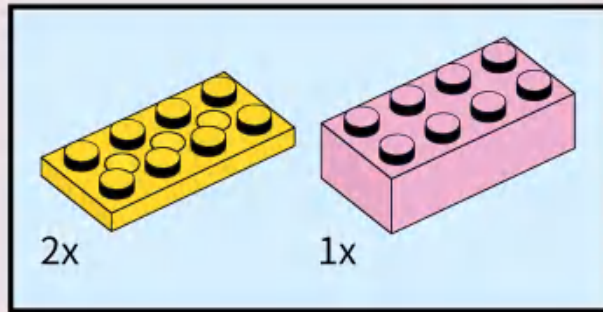




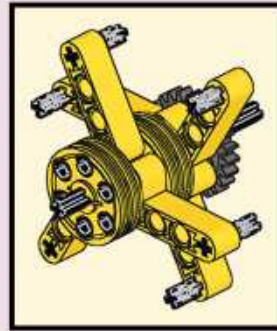
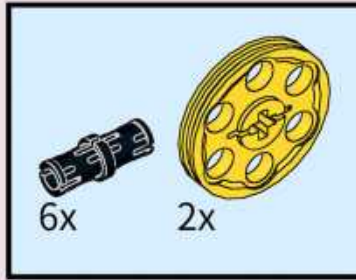
# 23



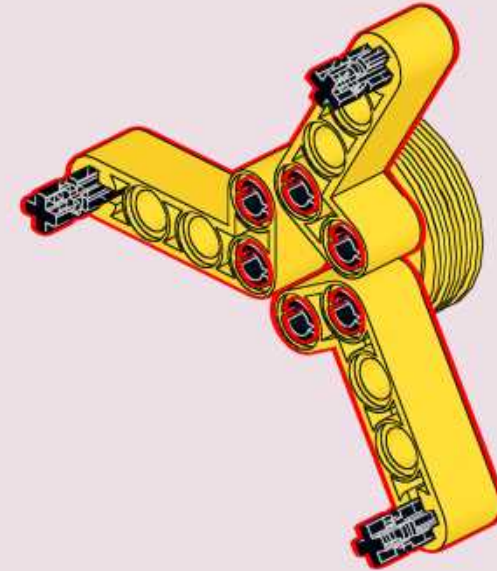
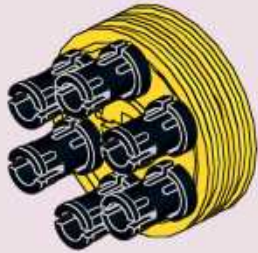
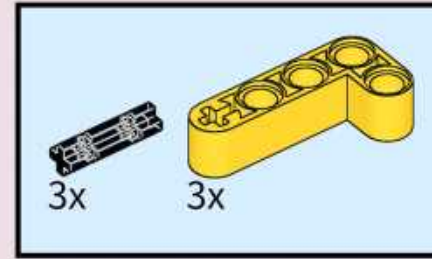
# 24



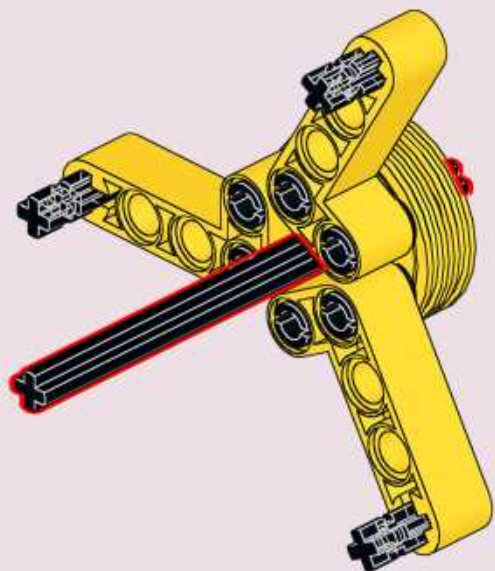
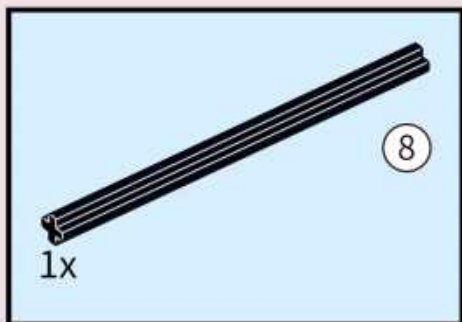
# 25



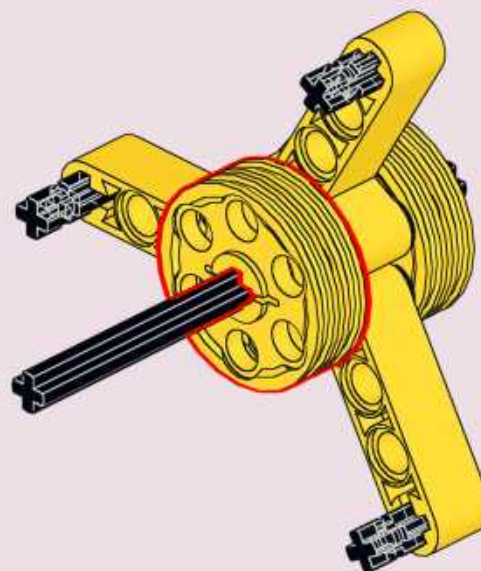
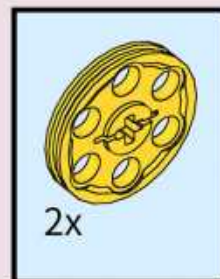
# 26



# 27

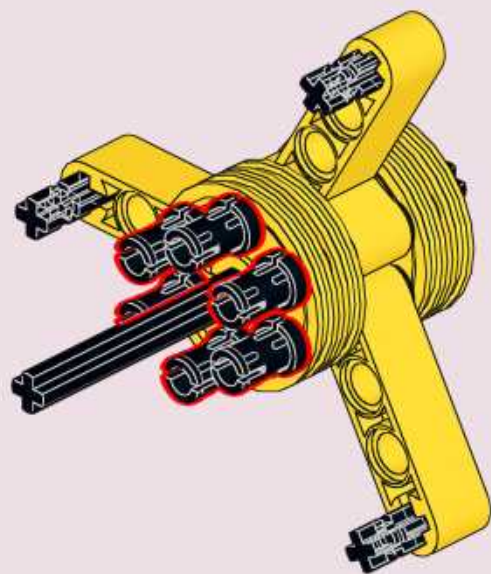


# 28

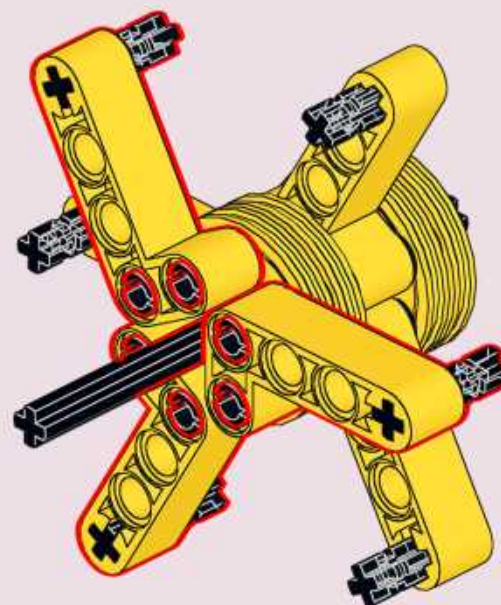
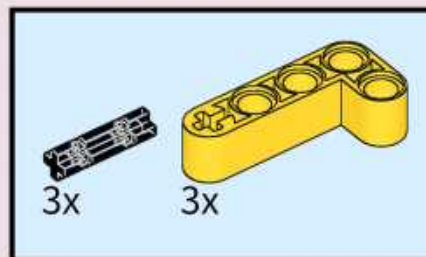




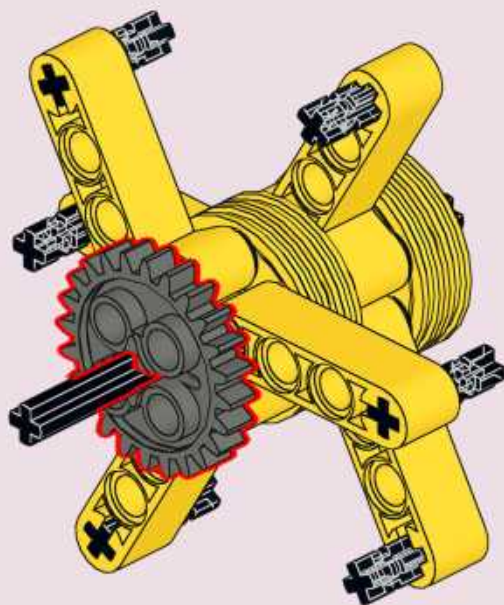
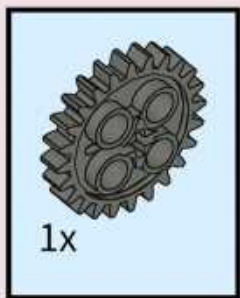
# 29



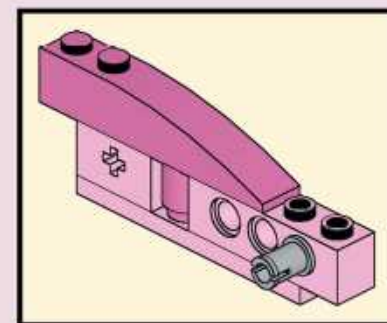
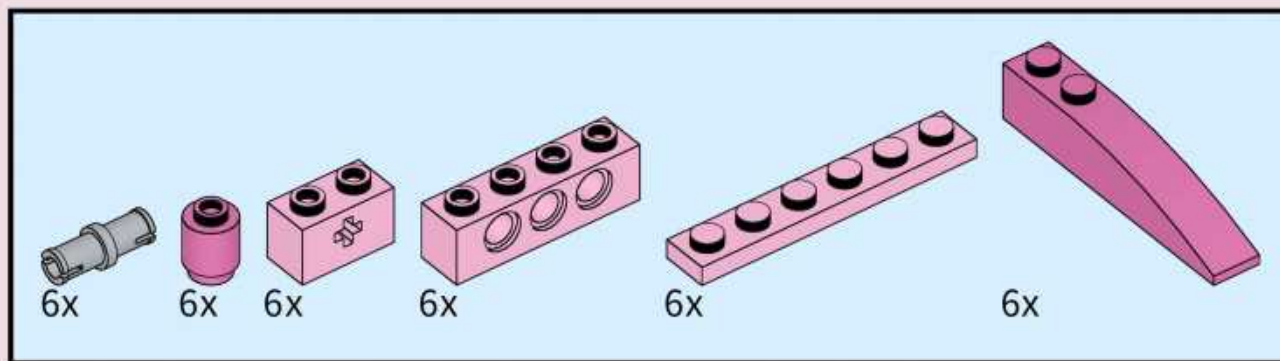
# 30



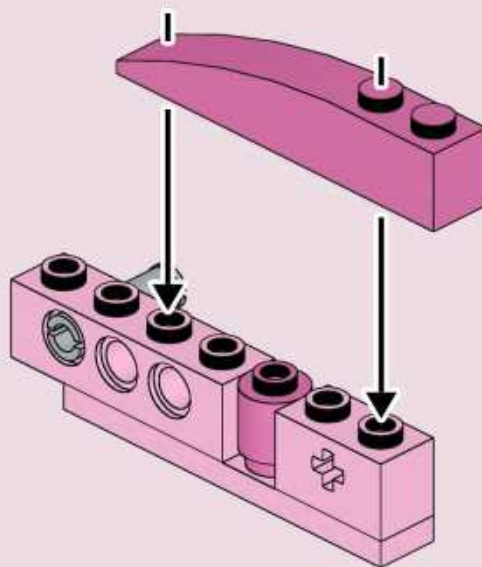
# 31



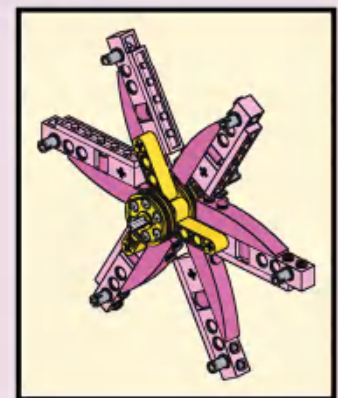
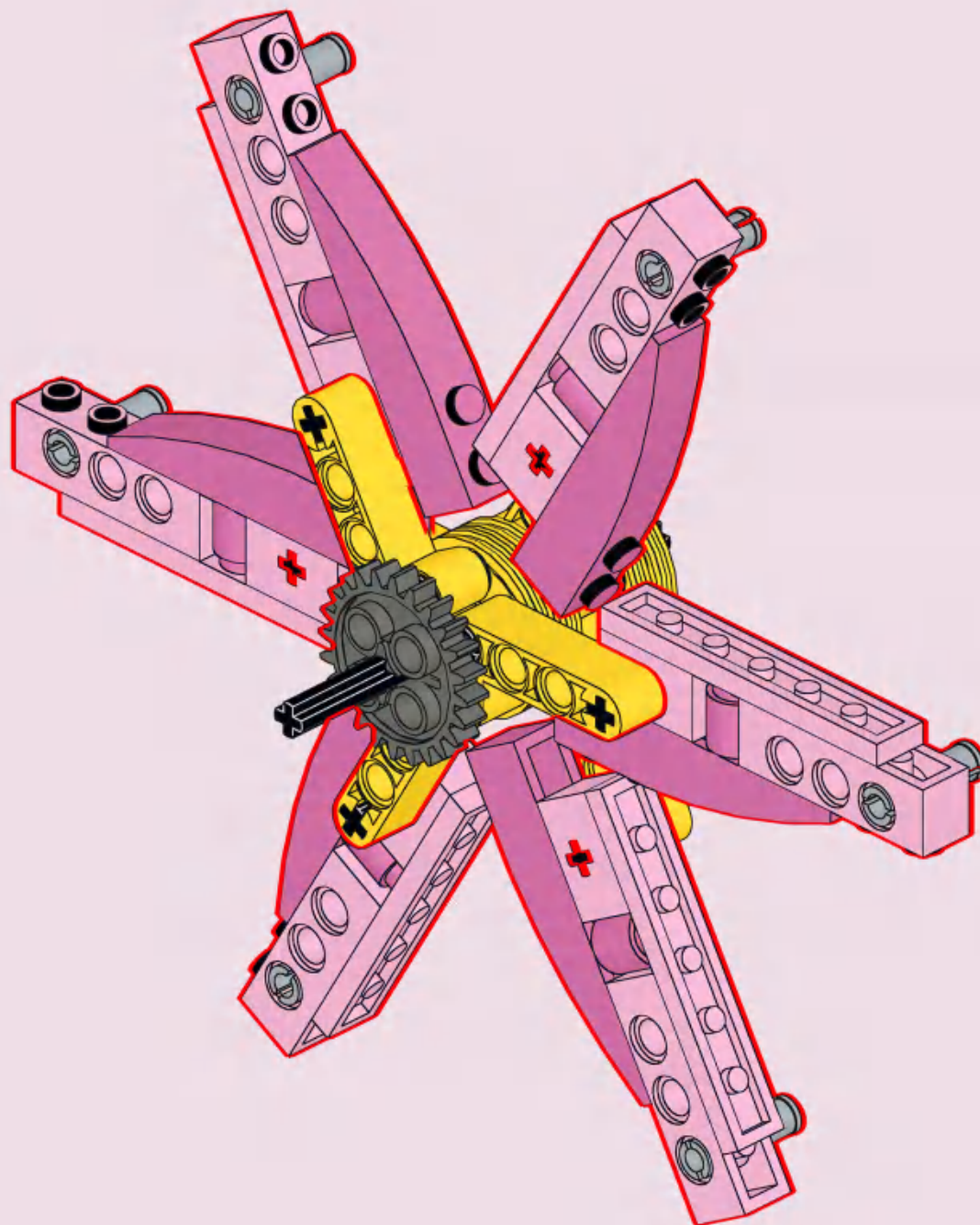
# 32



6x

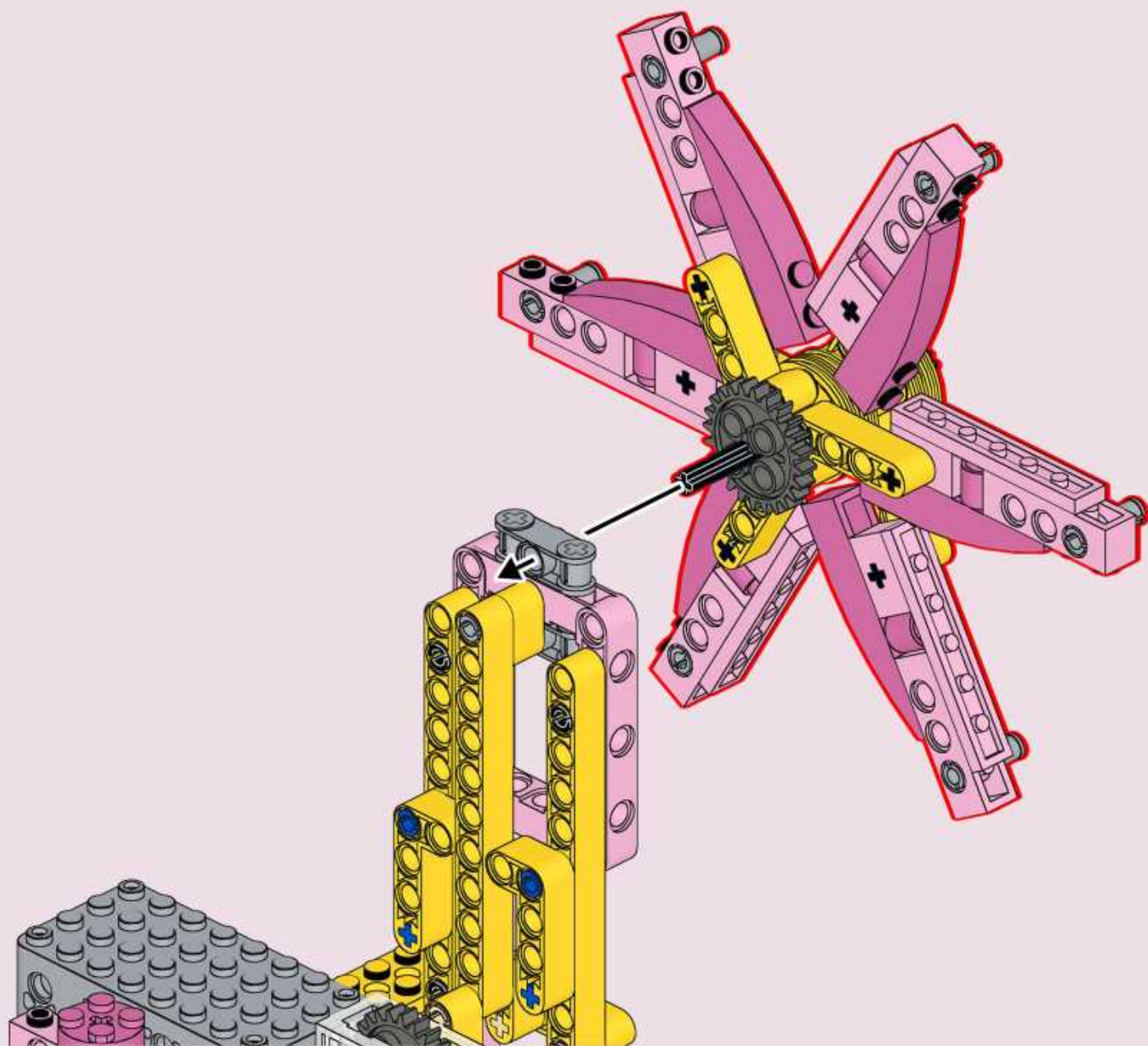


33

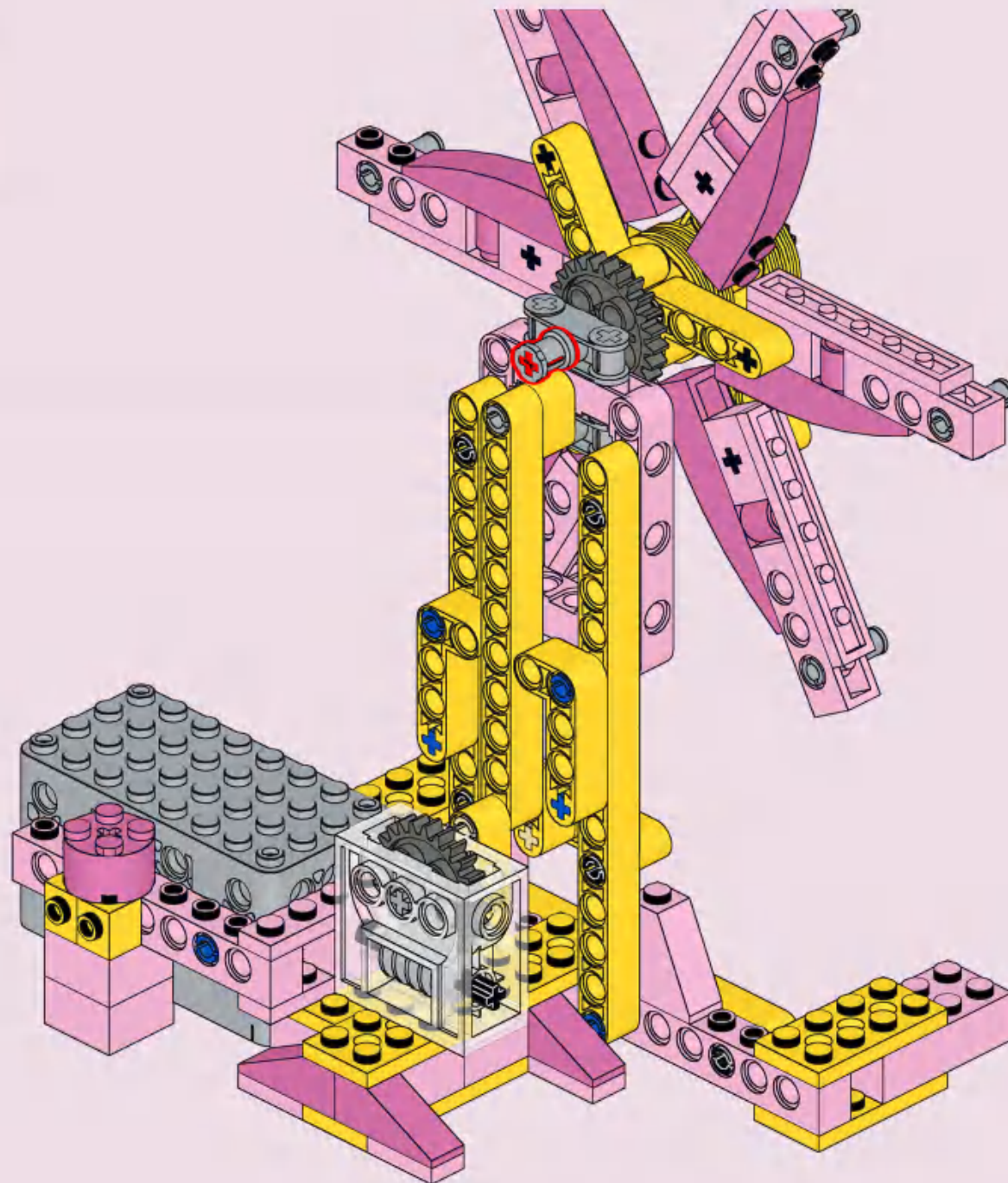
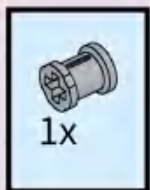




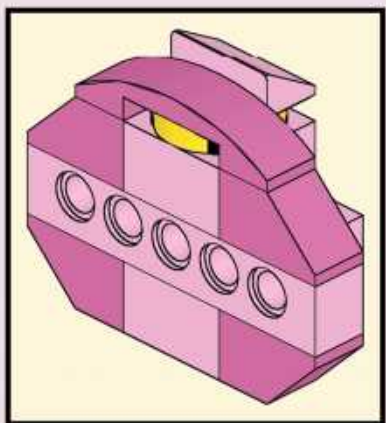
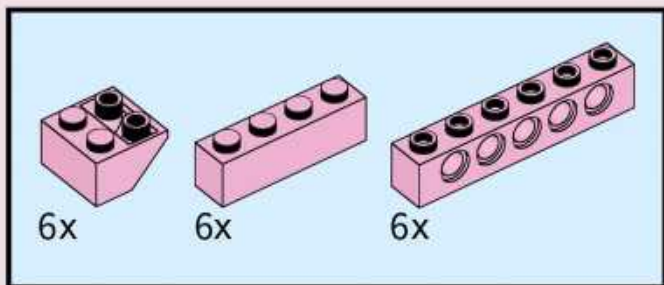
# 34



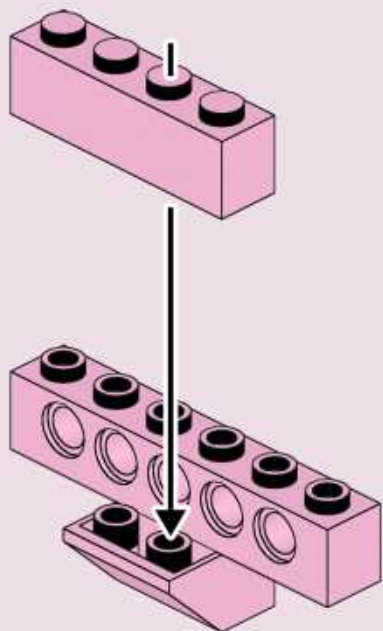
# 35



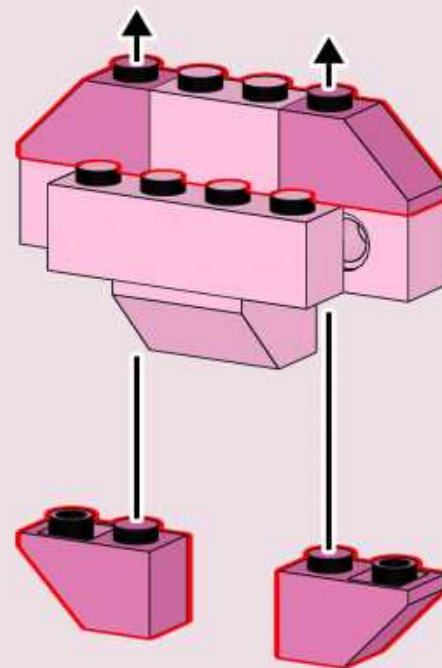
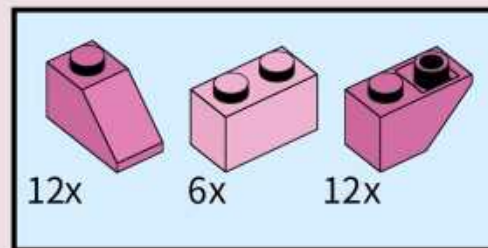
# 36



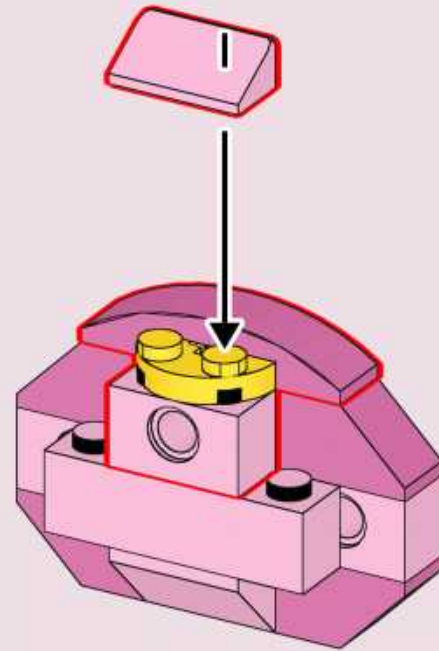
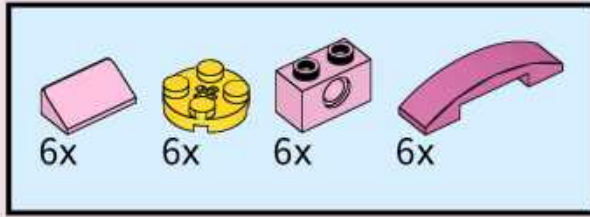
6x



# 37

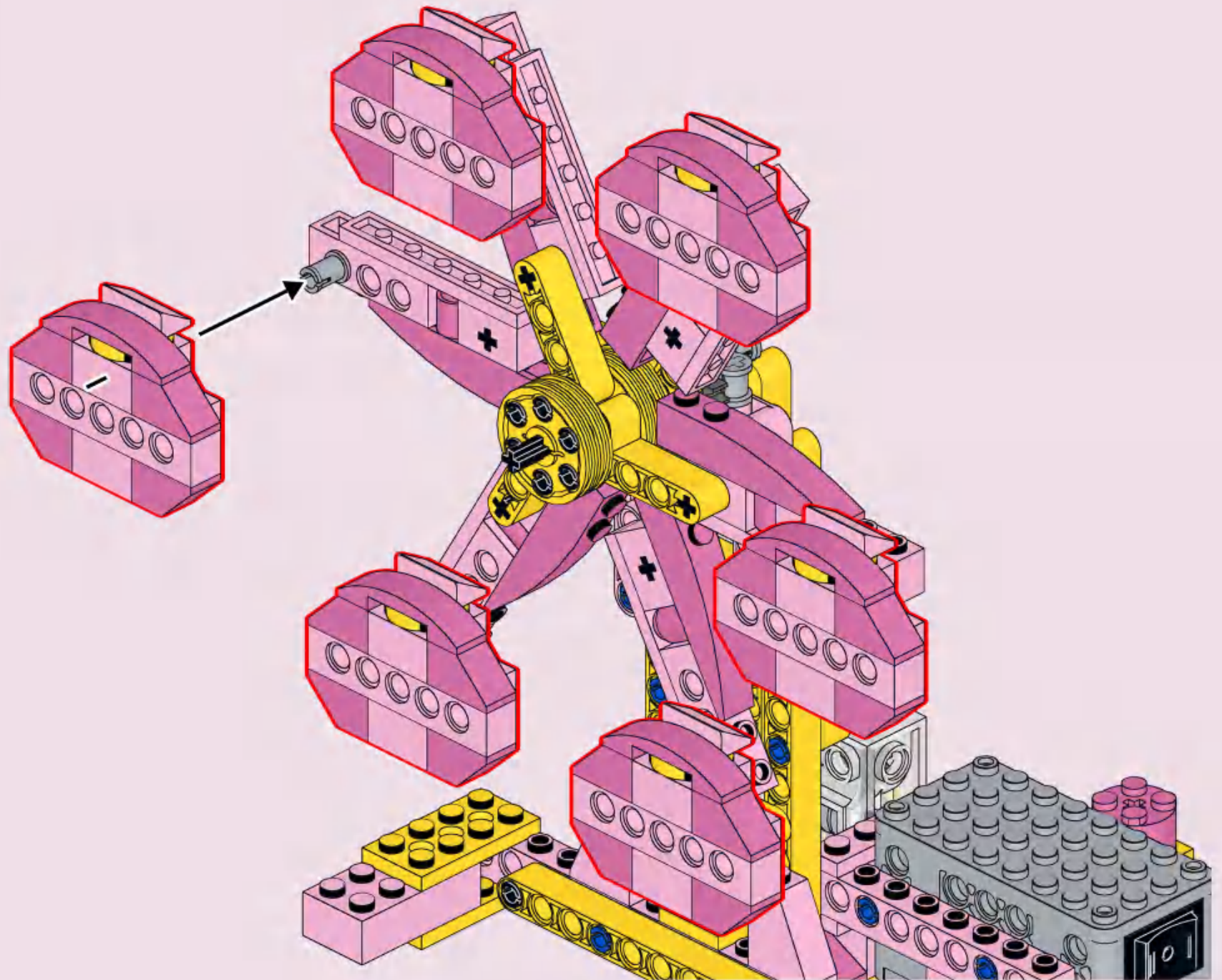


# 38

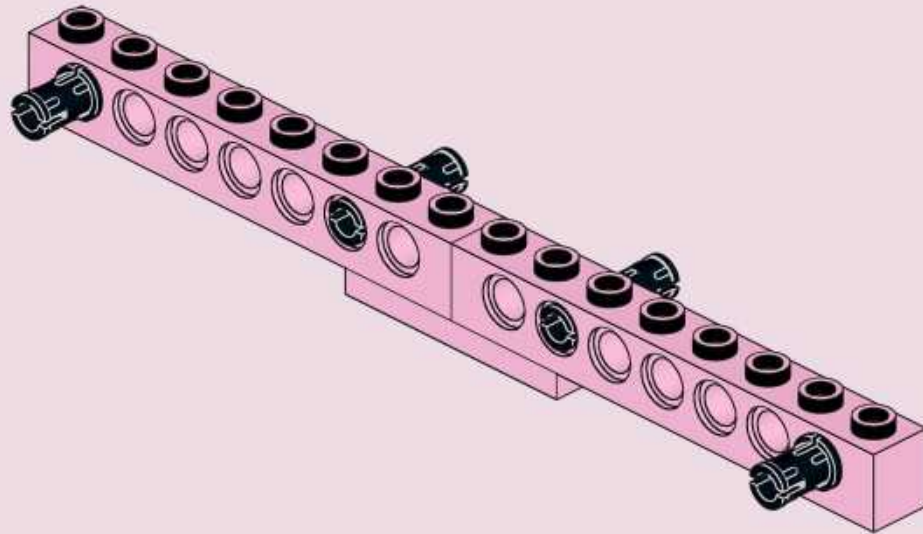
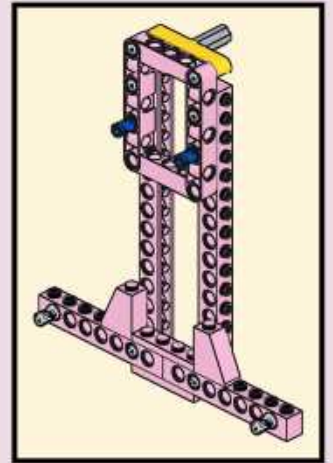
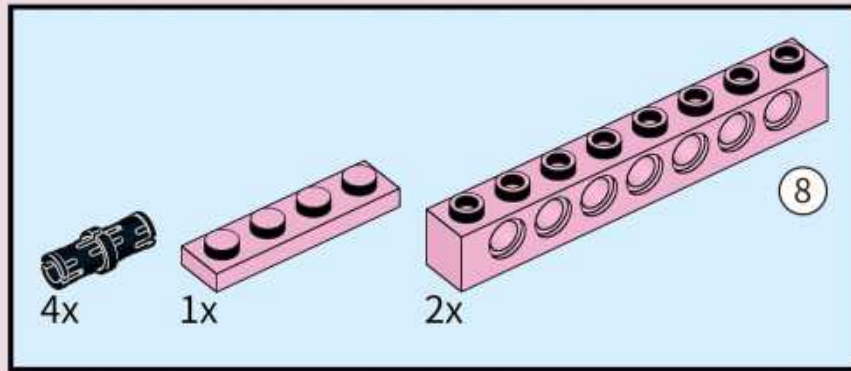




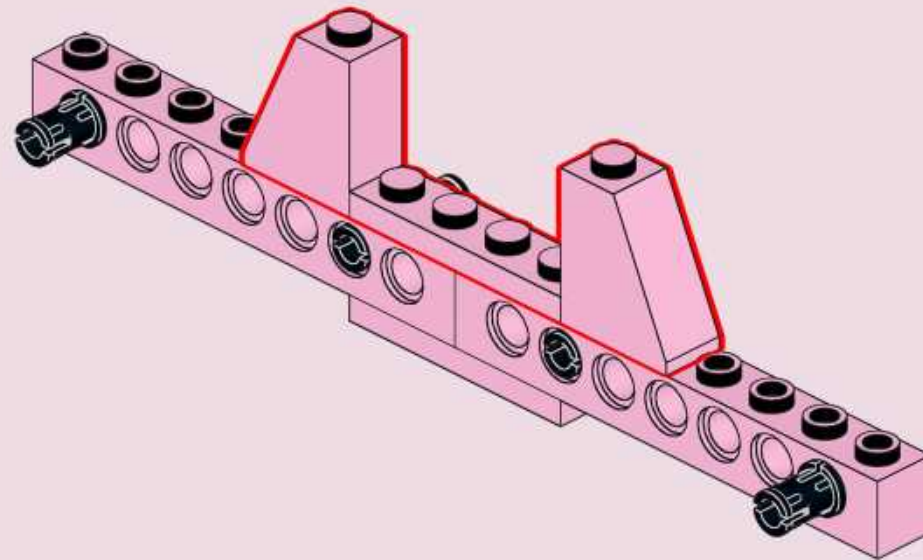
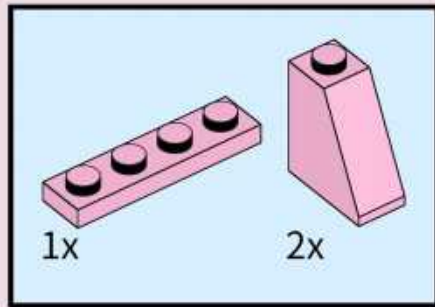
# 39



# 40



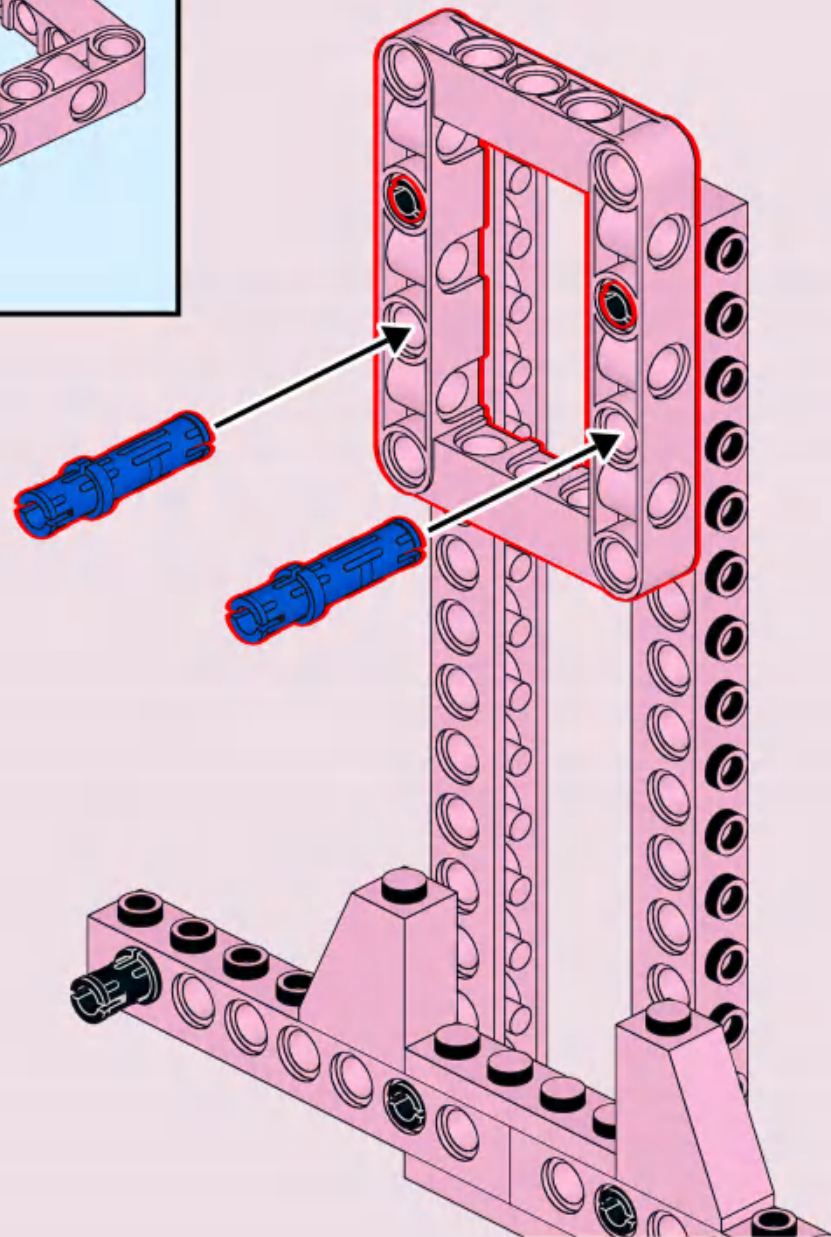
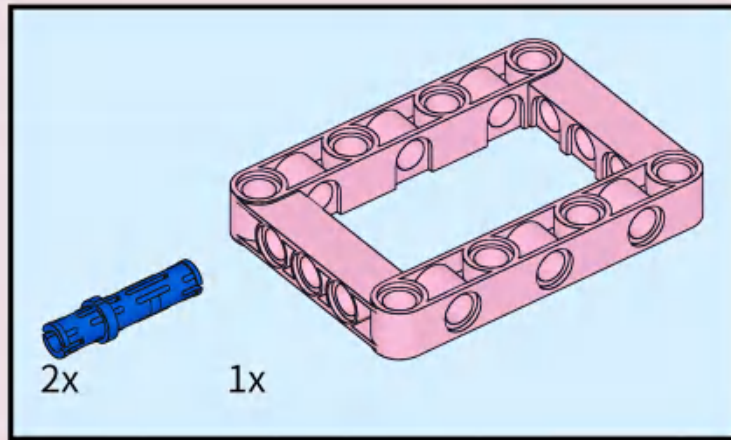
# 41



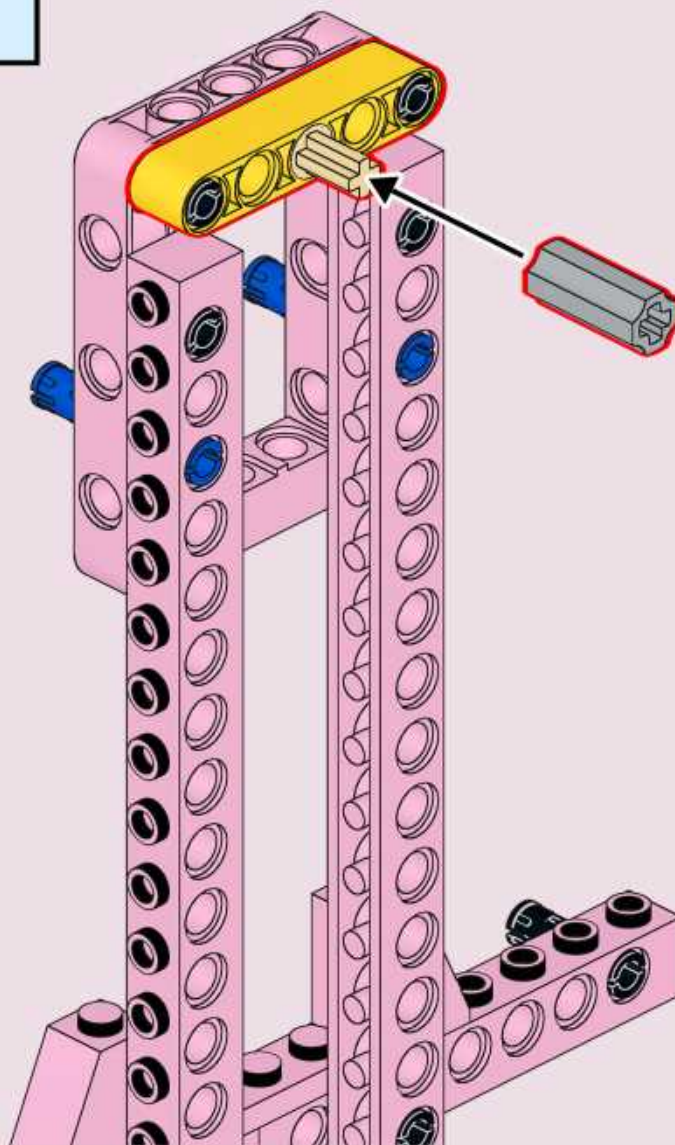
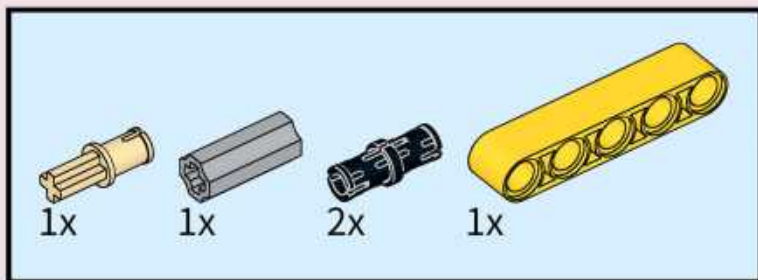




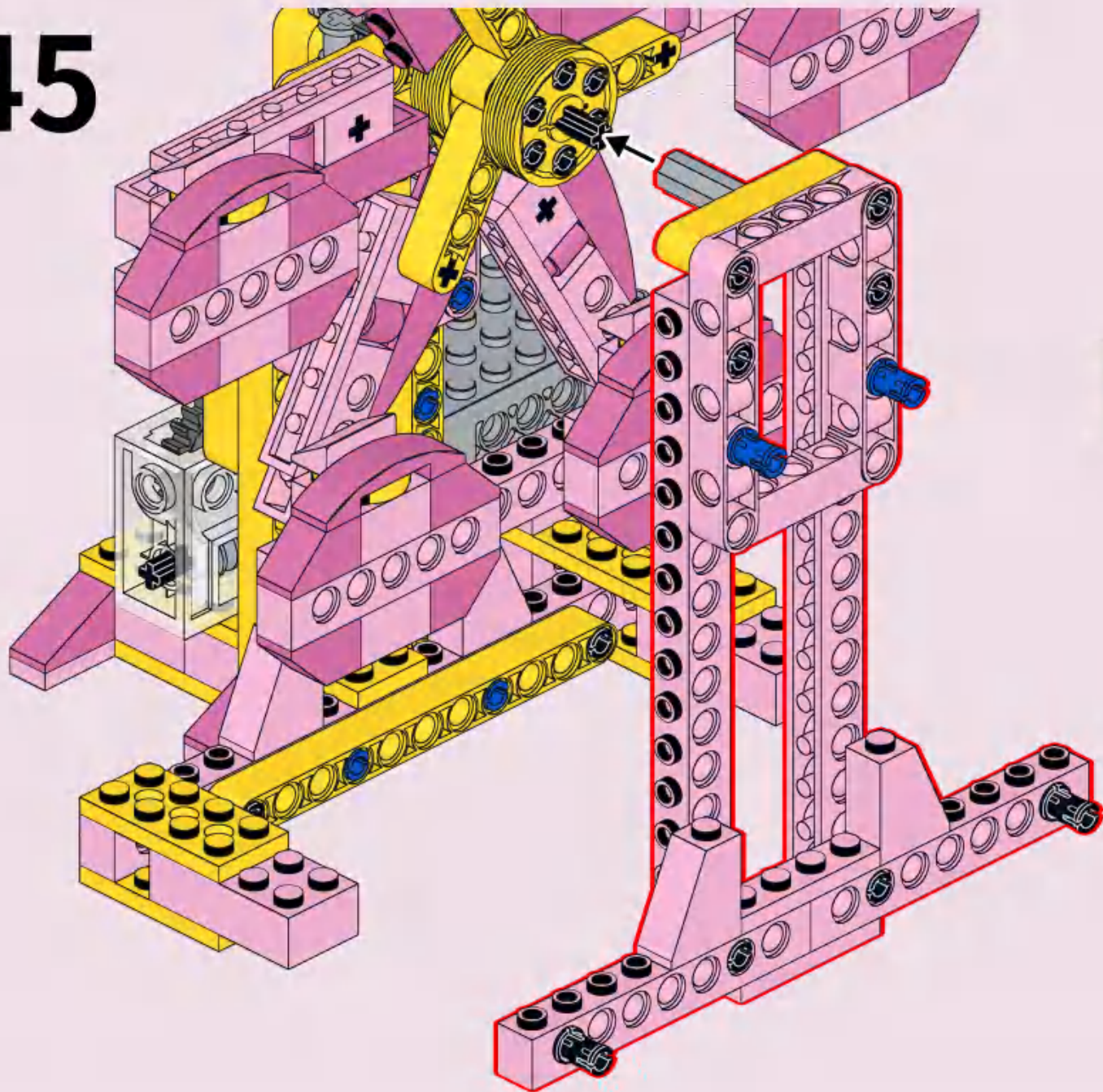
# 43



# 44

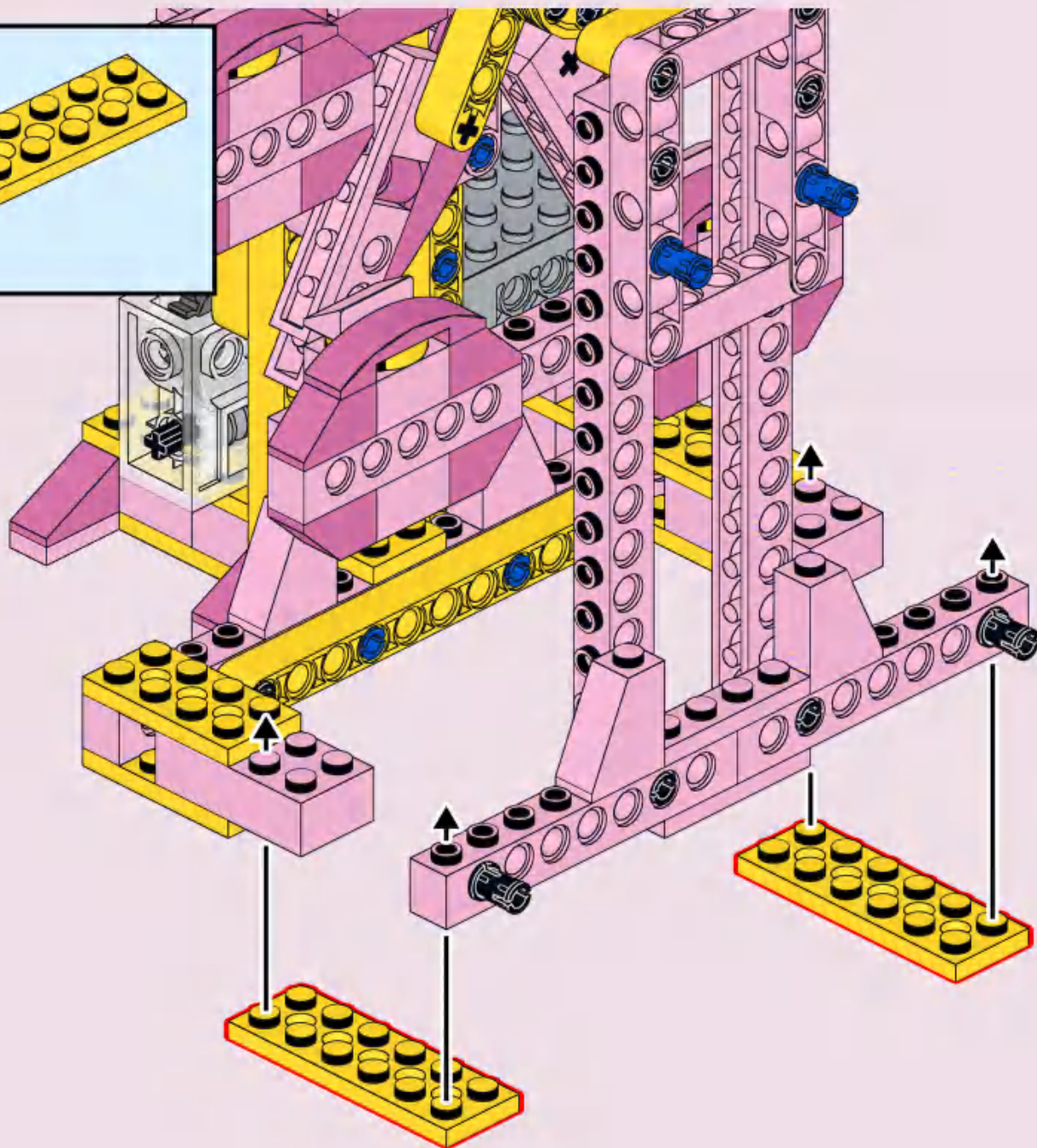
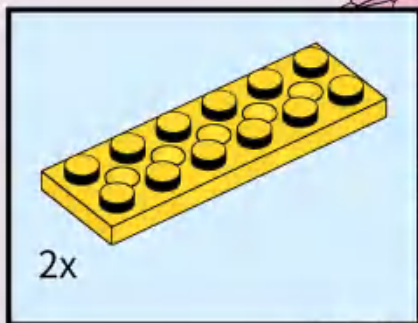


45



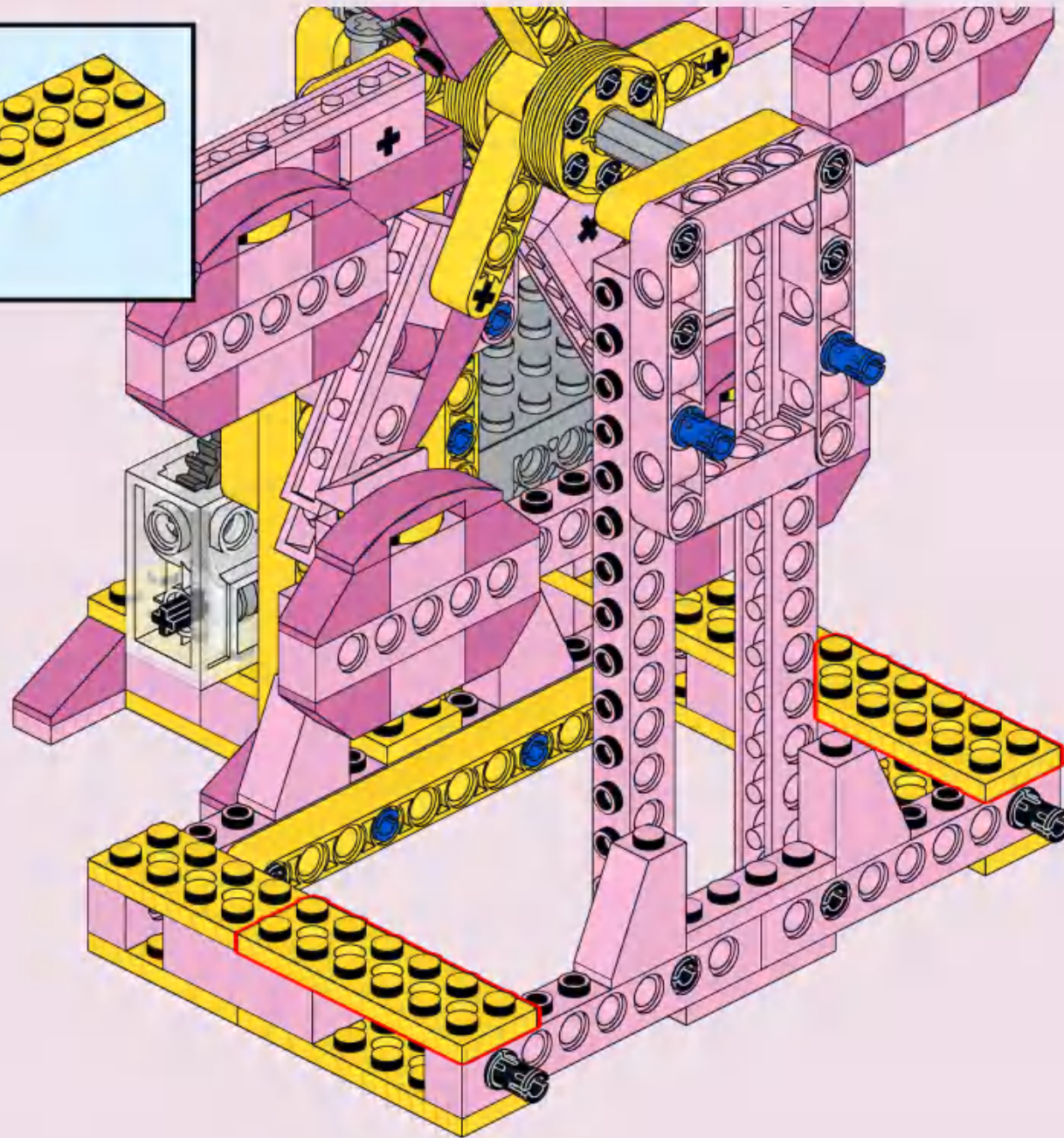
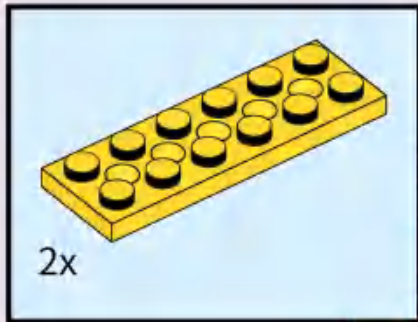


# 46

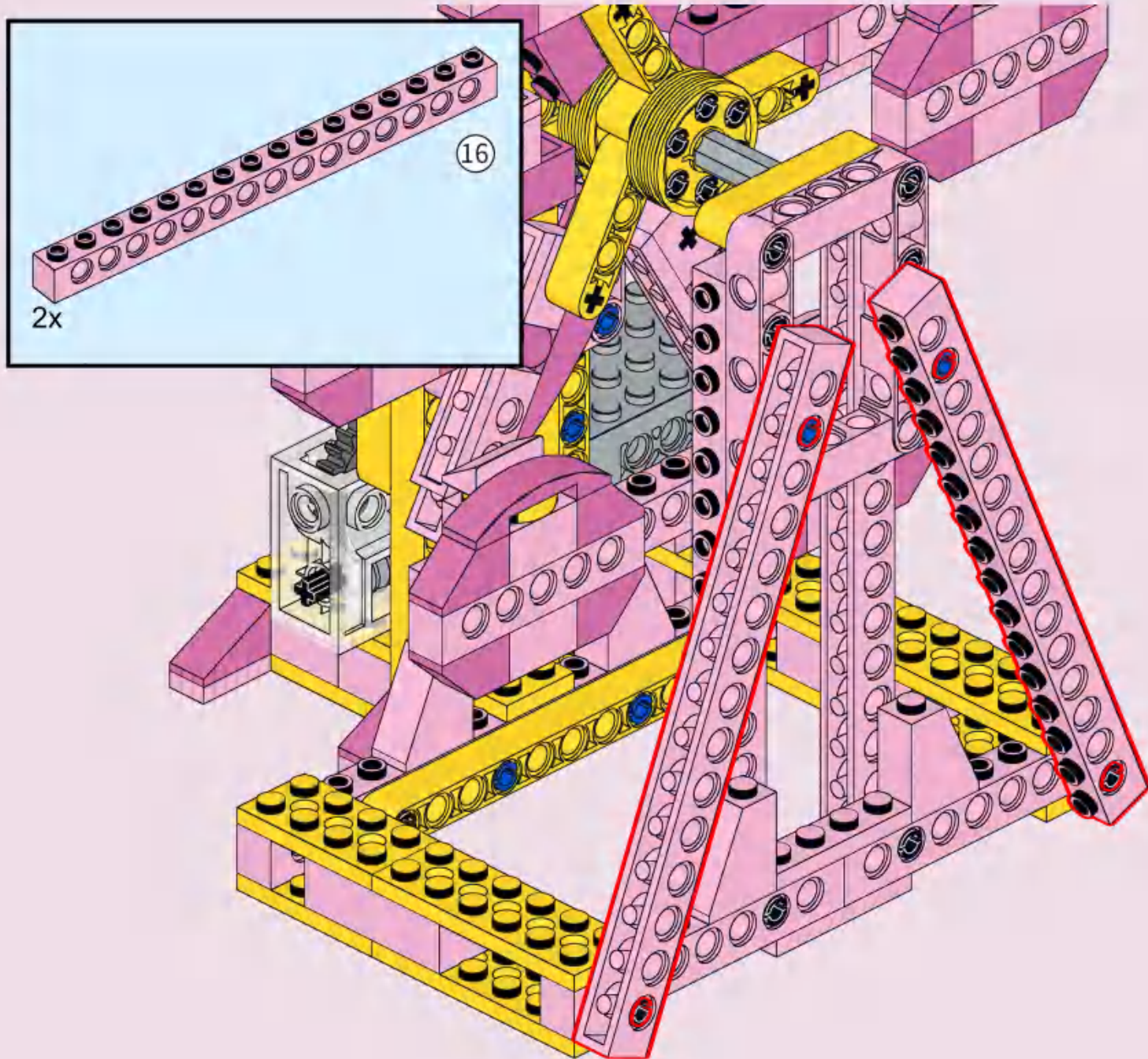




# 47



# 48





49

