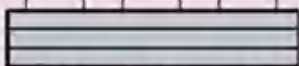
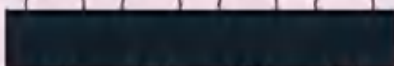


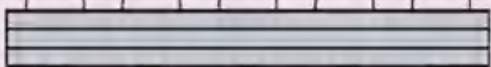
I



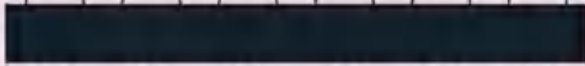
3



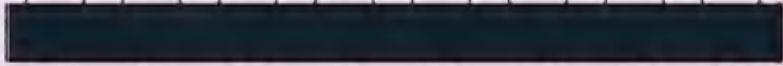
4



5



6



8



3

4

5

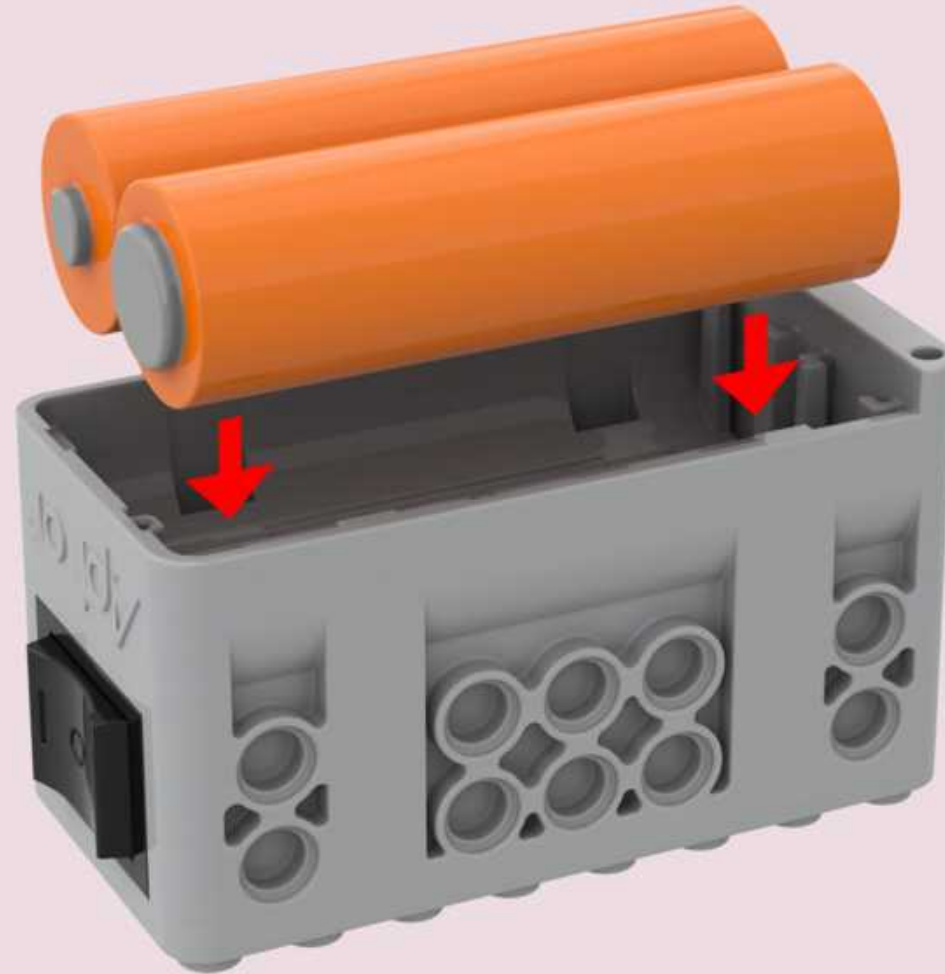
6

8

0 1 2 3 4 5 6 7 8 9 10 11 12 13 14 15 16

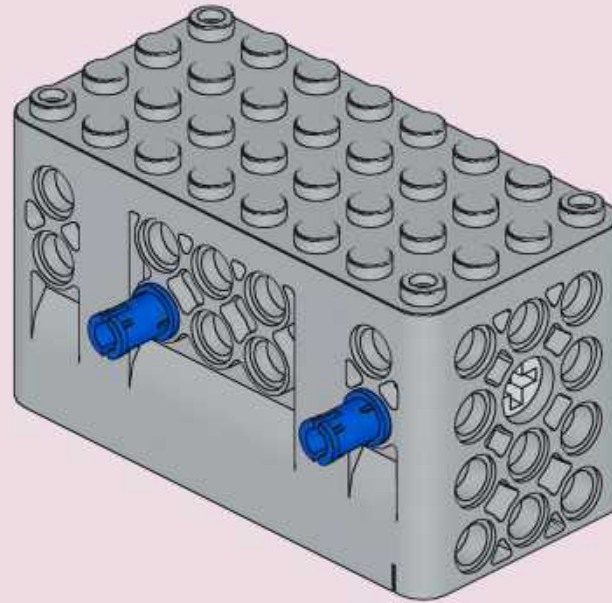
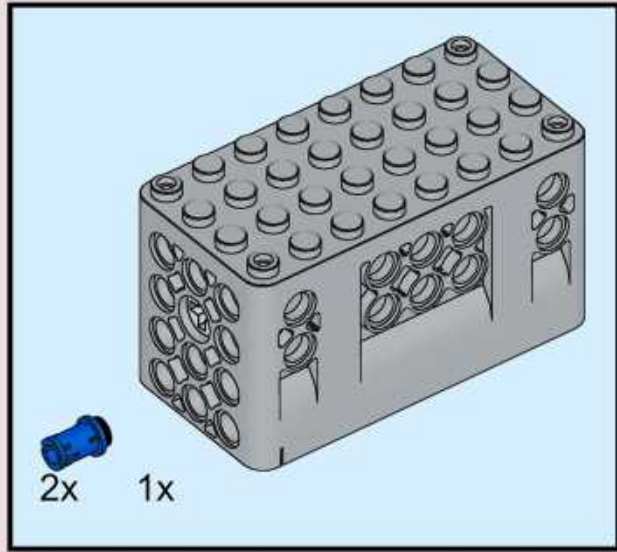


**II**

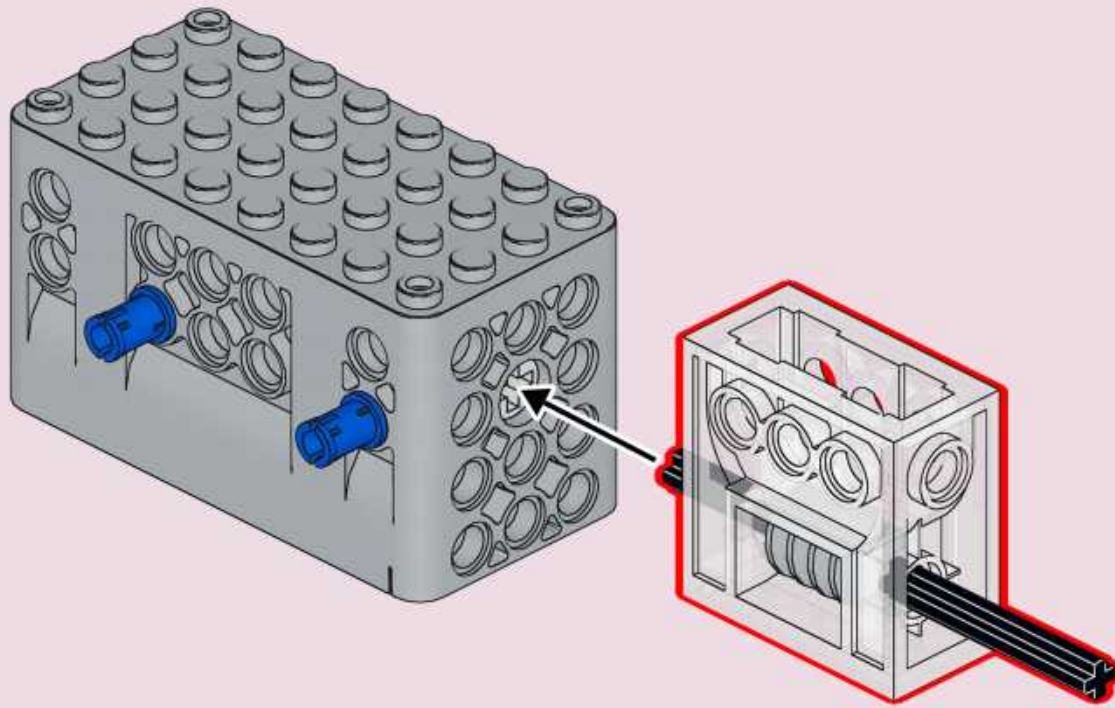
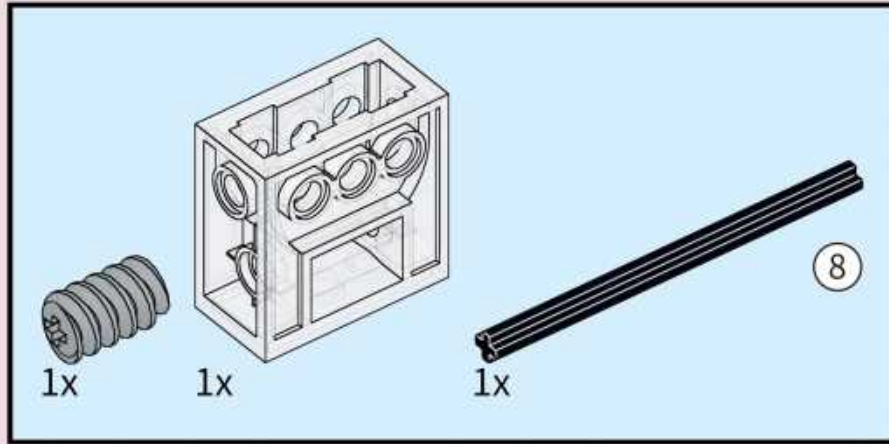


**AA x2**

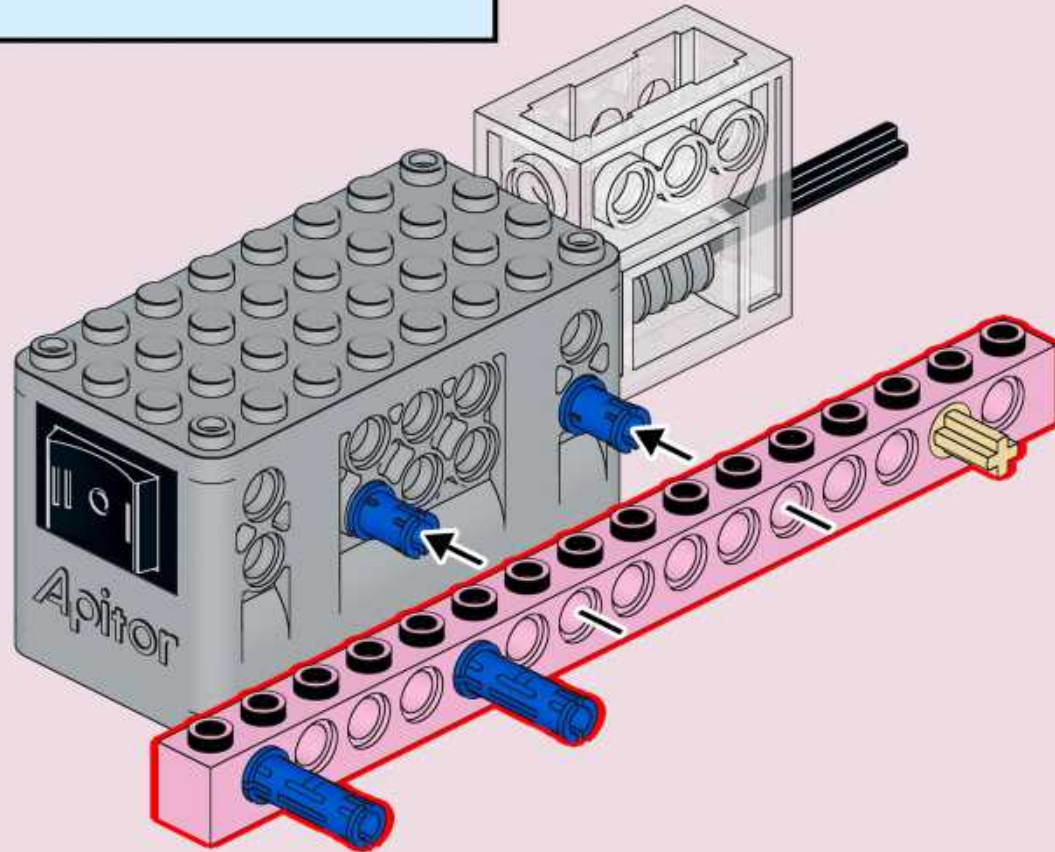
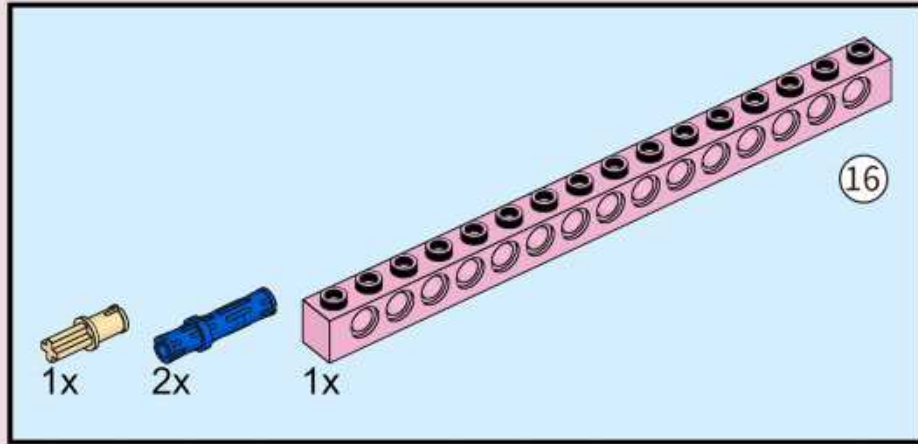
# 1



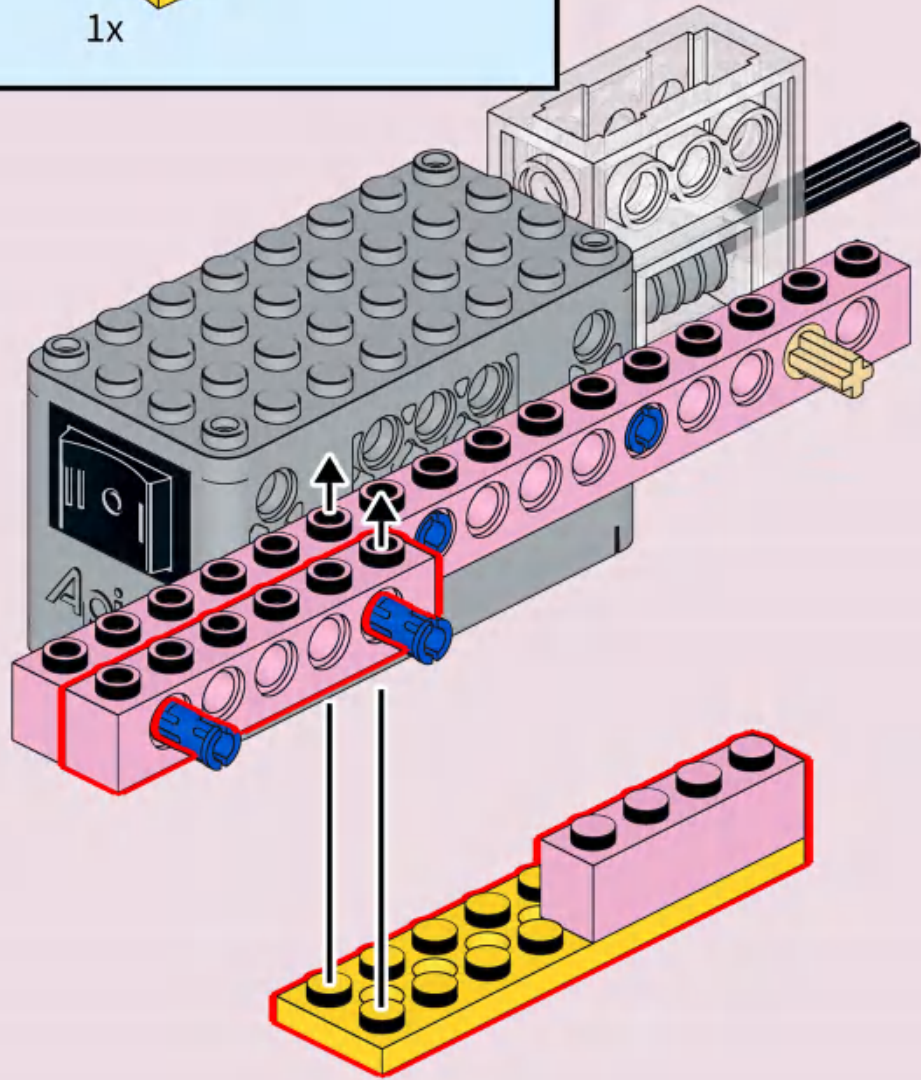
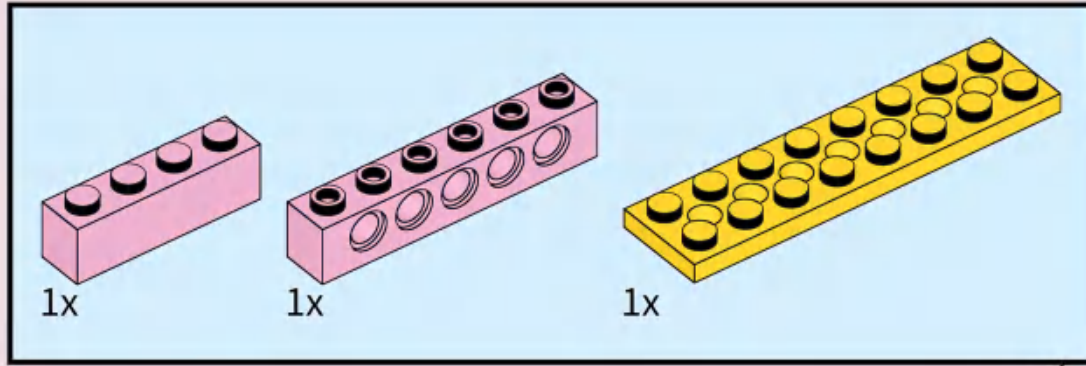
# 2



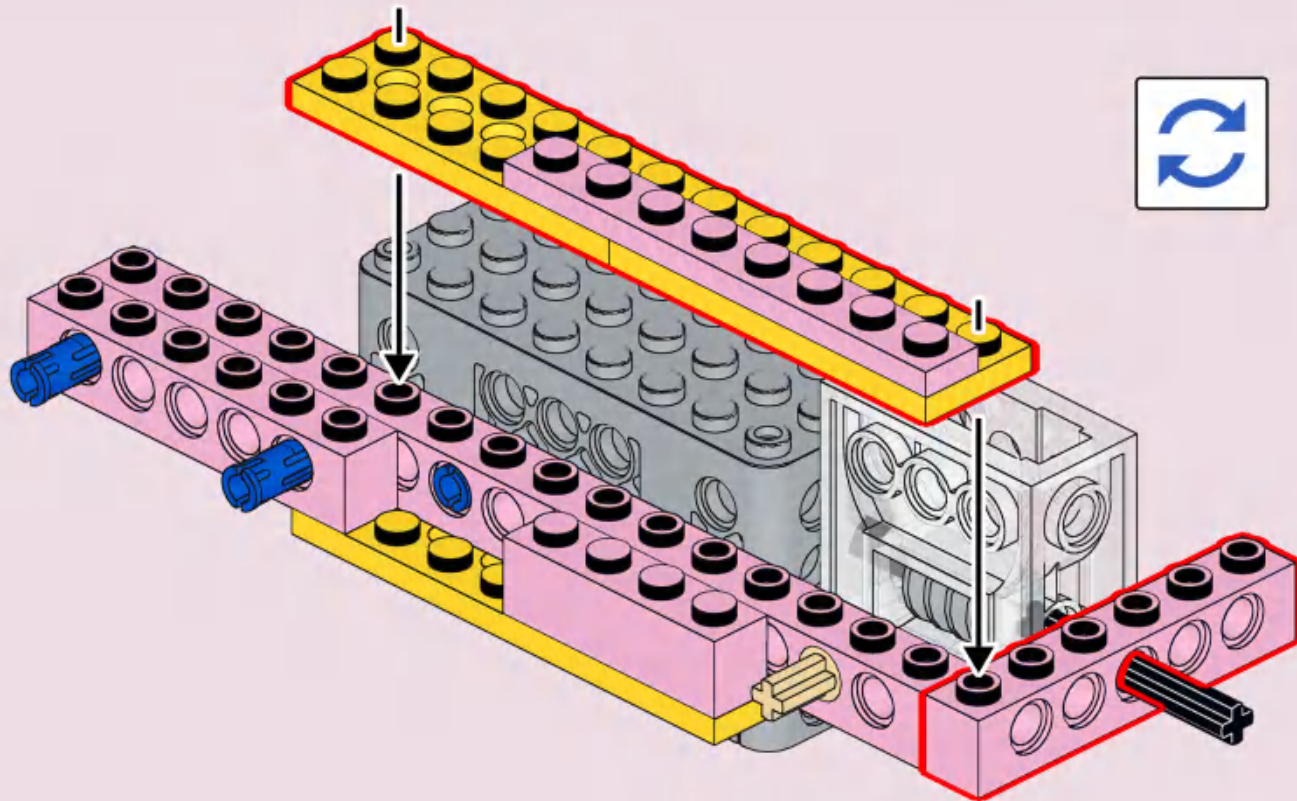
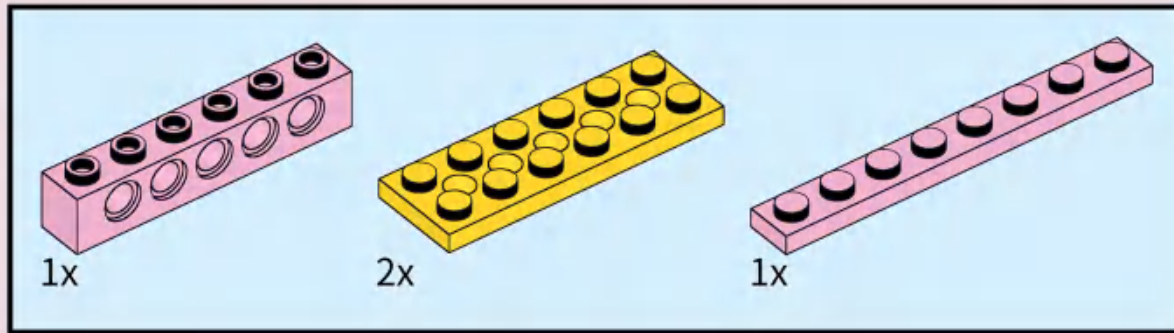
# 3



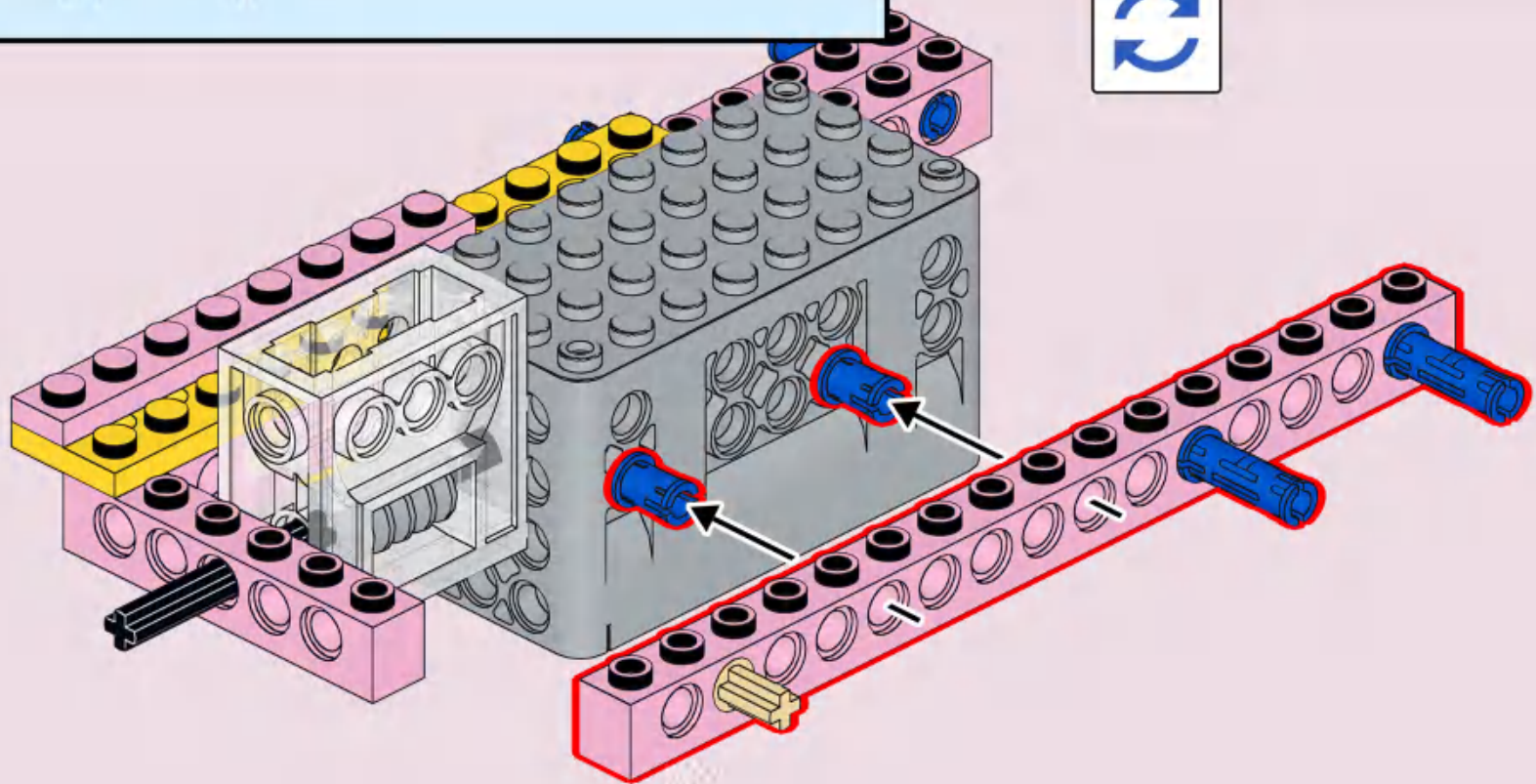
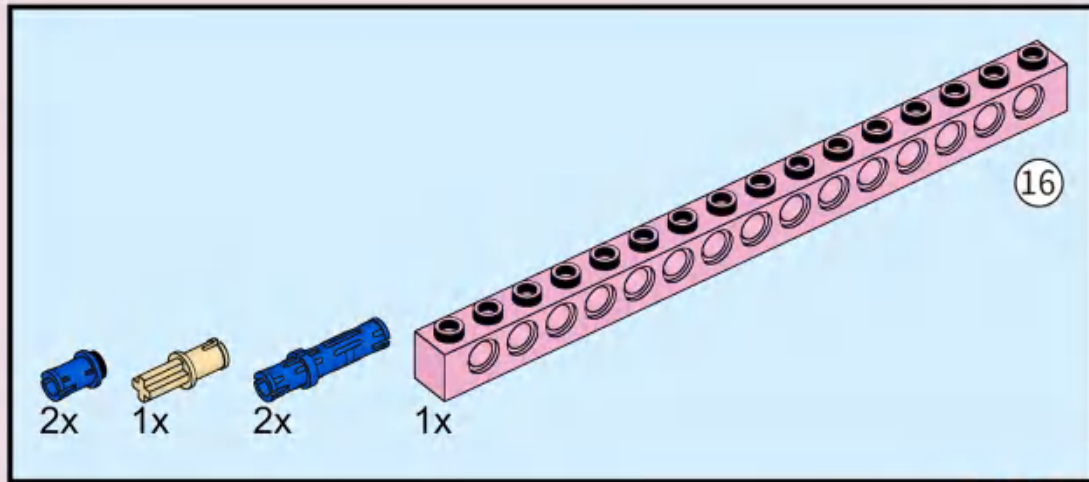
# 4



# 5

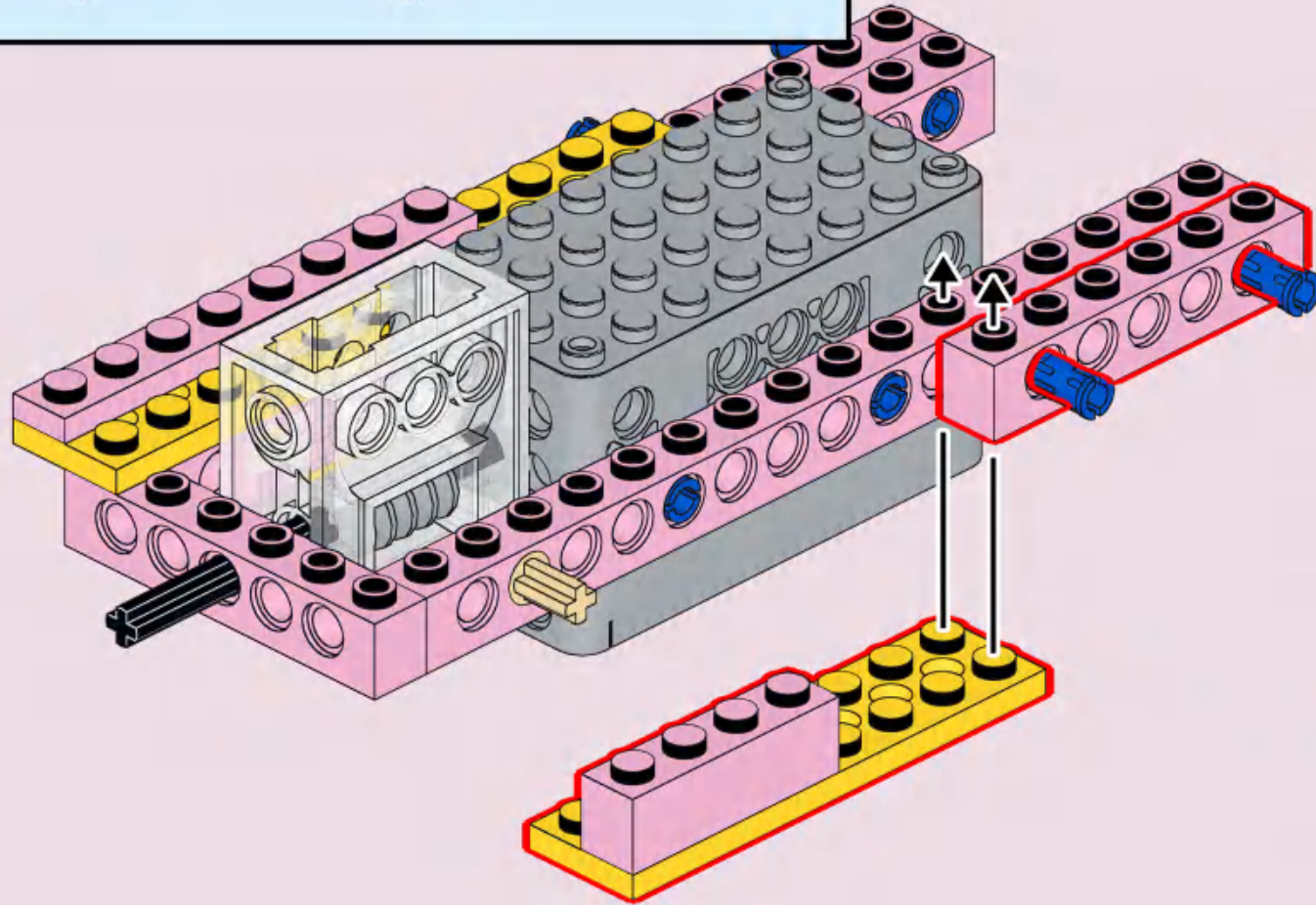
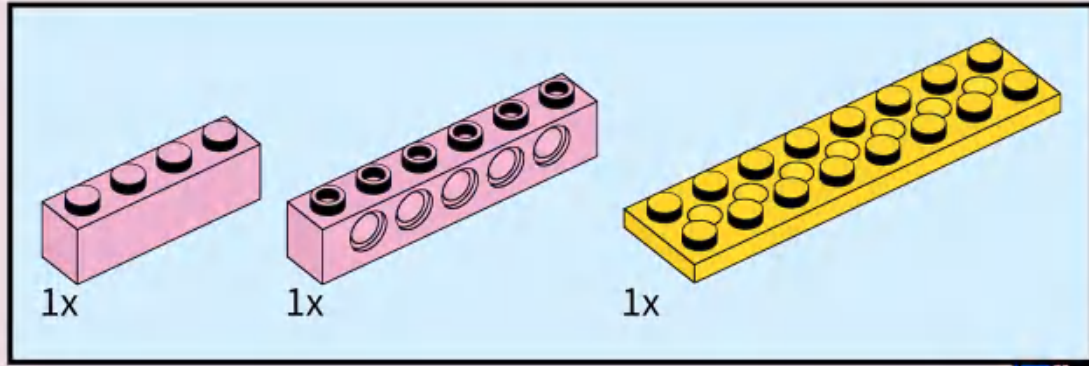


# 6

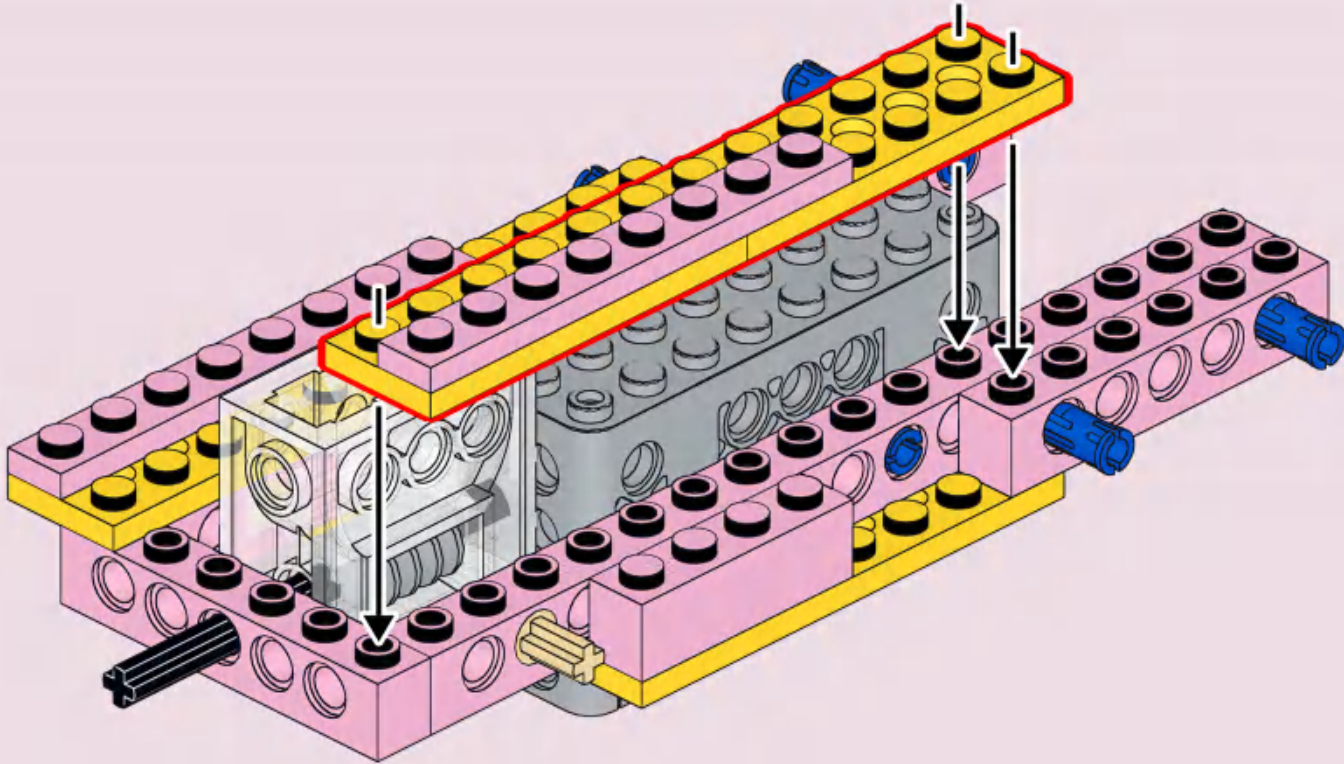
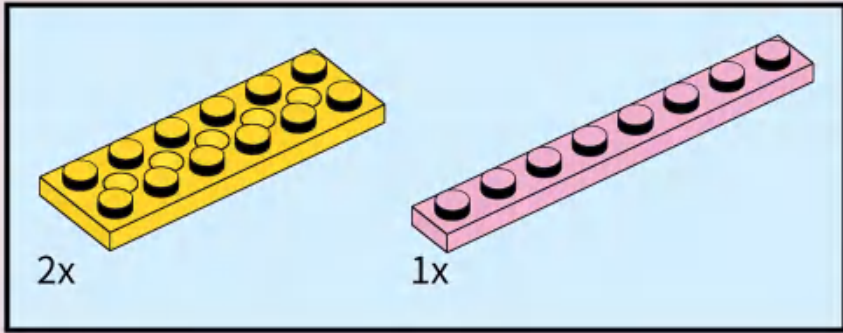




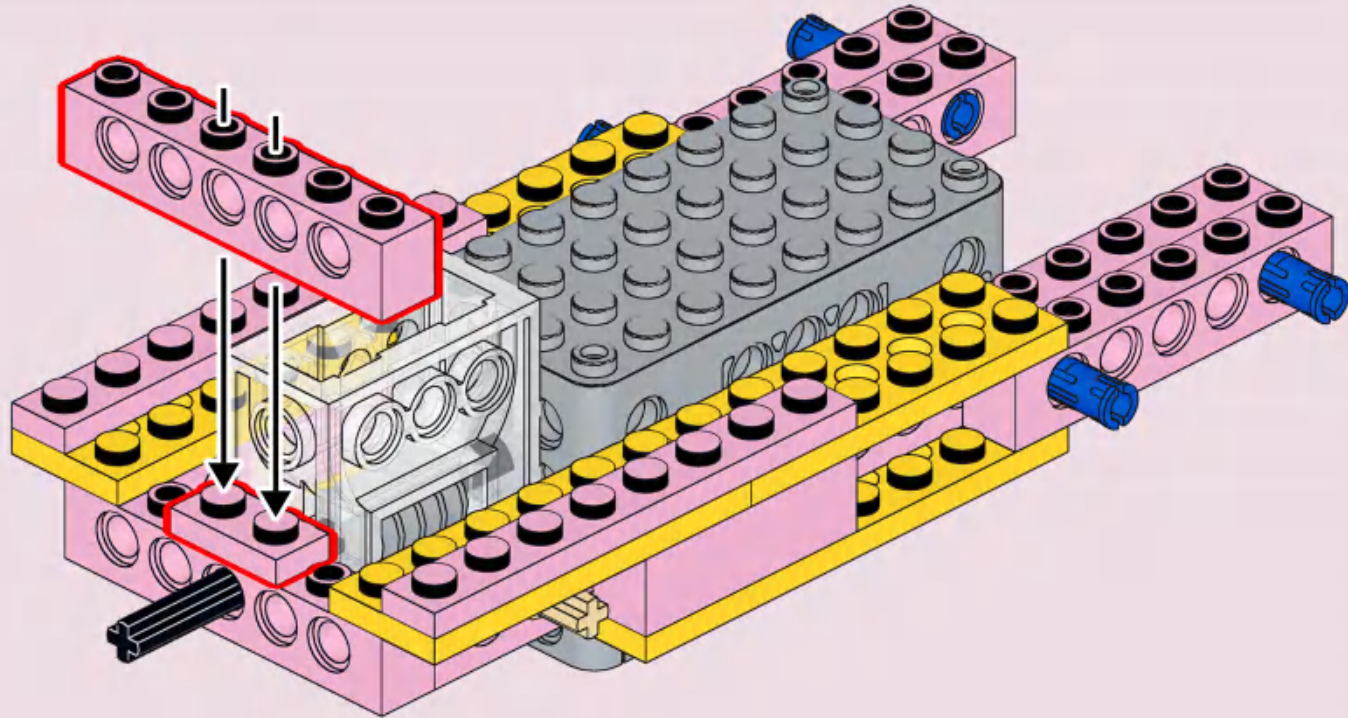
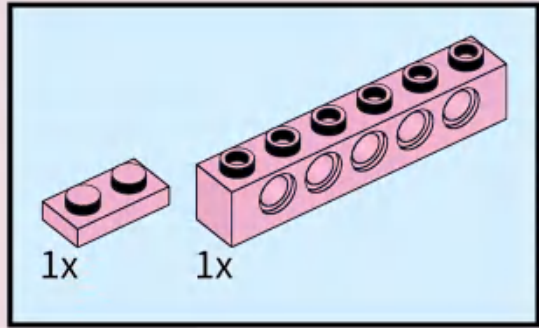
# 7



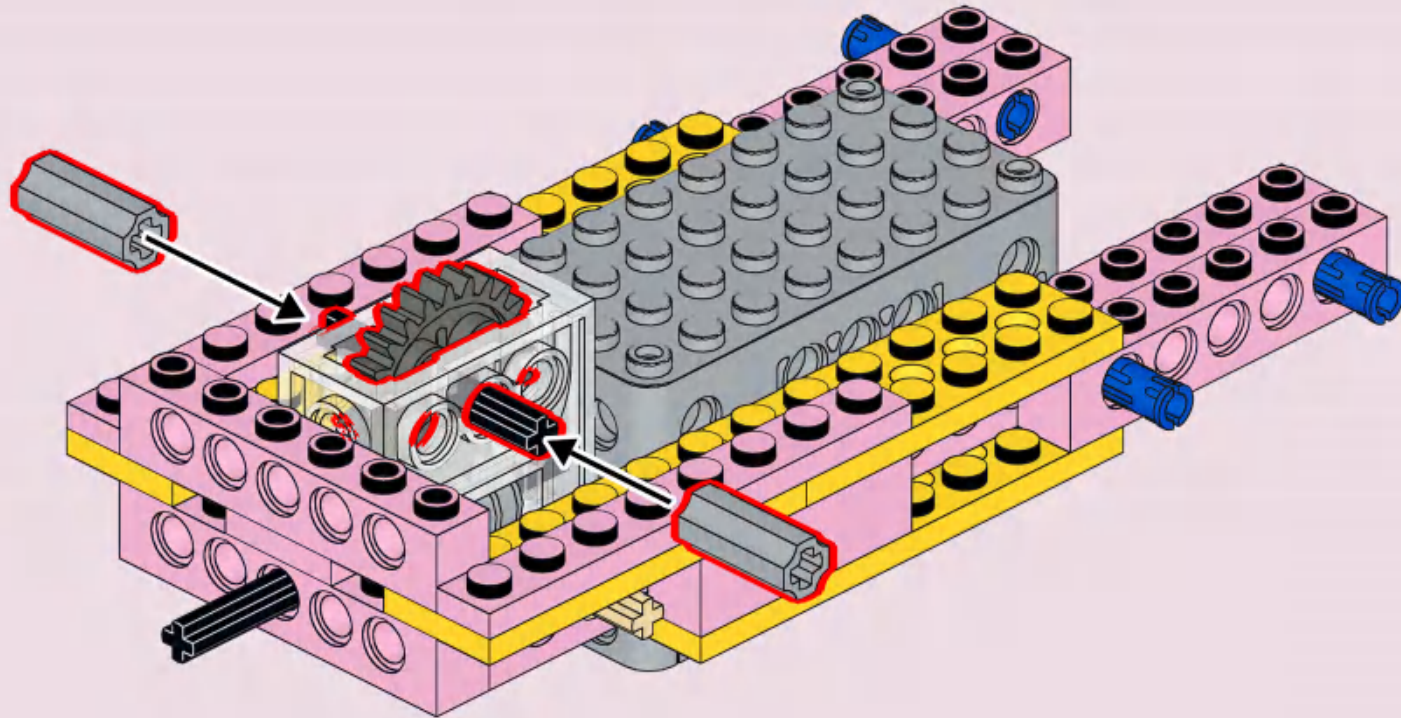
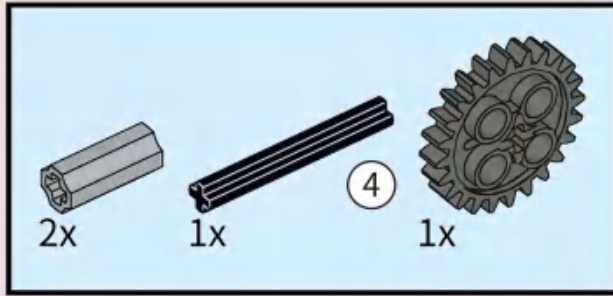
8



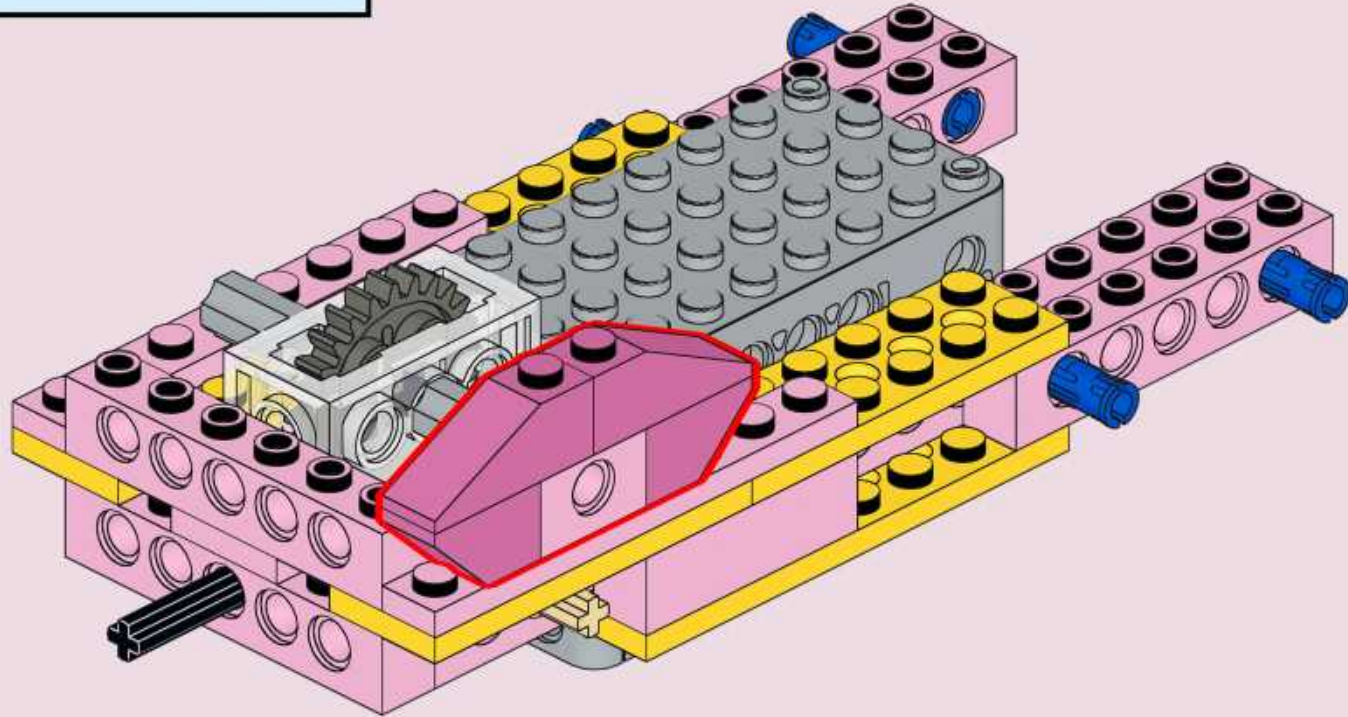
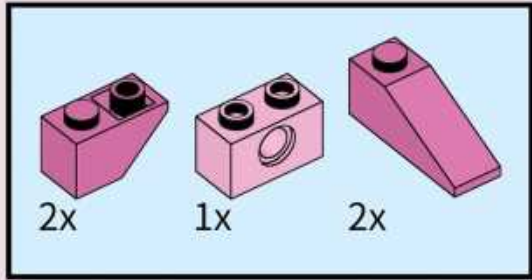
9



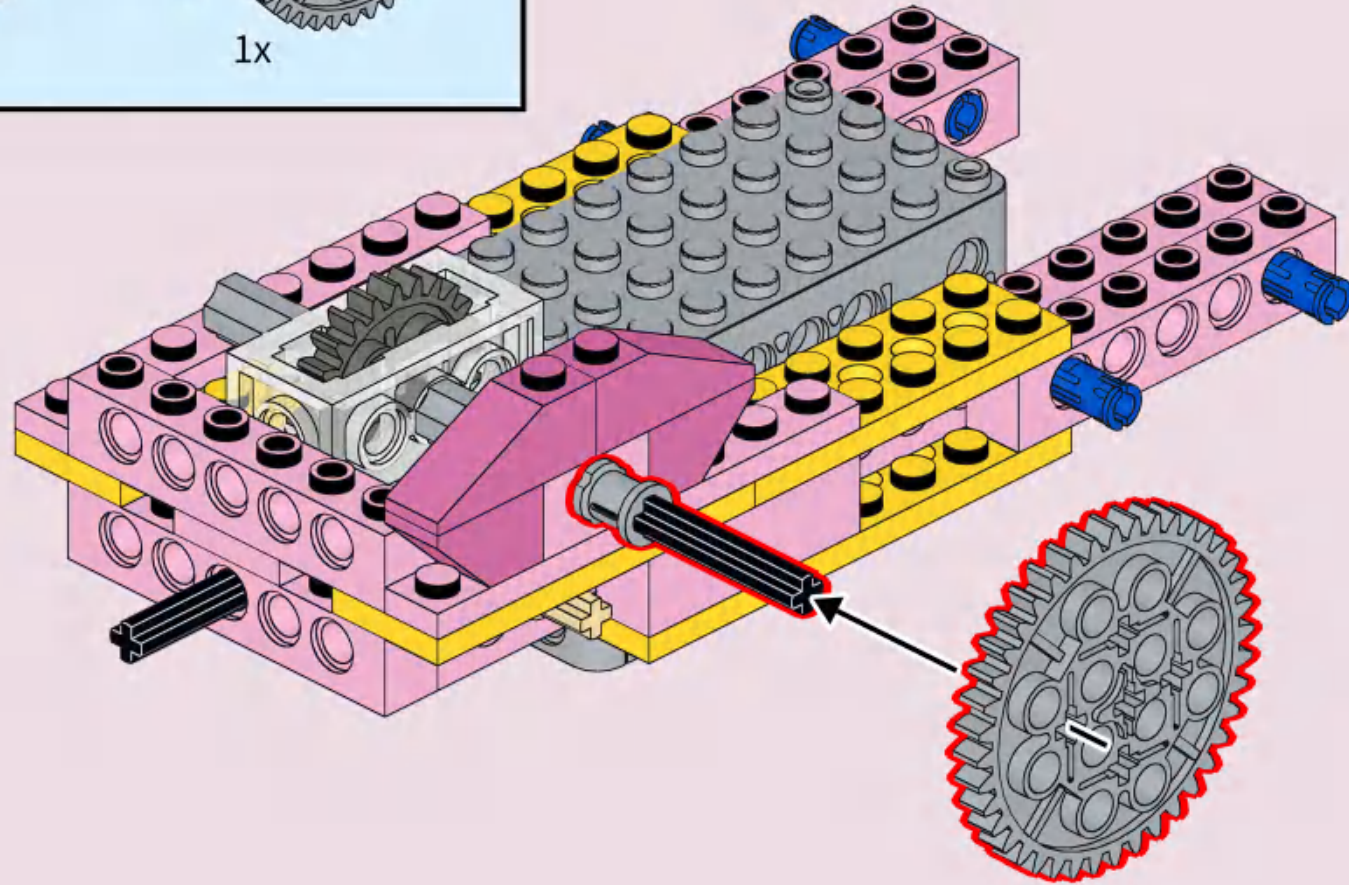
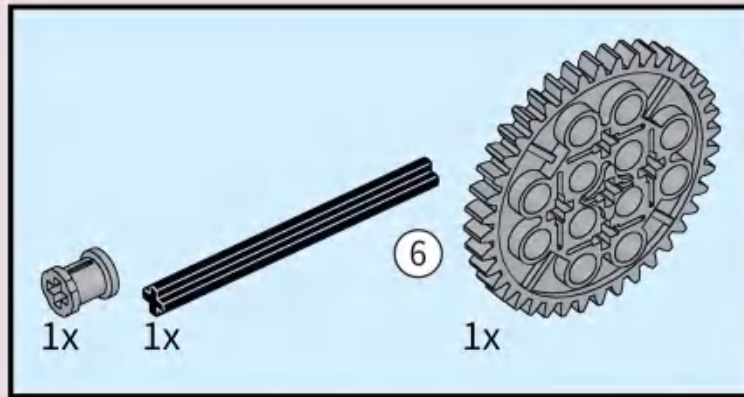
# 10



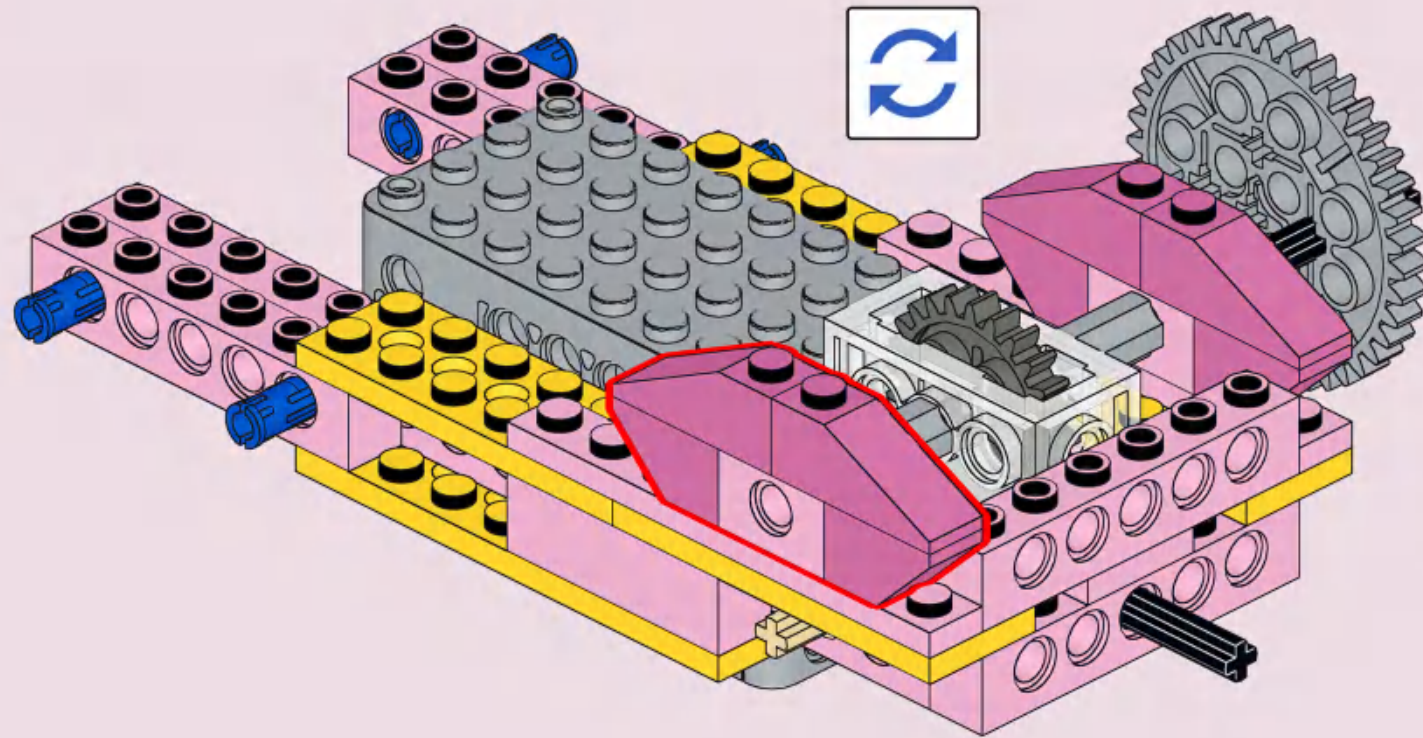
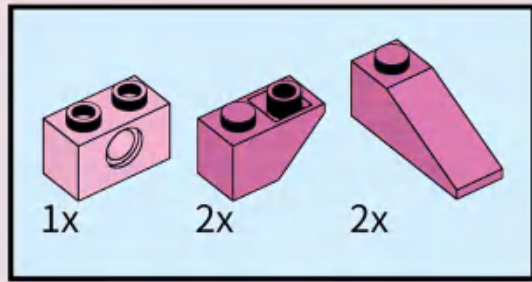
# 11



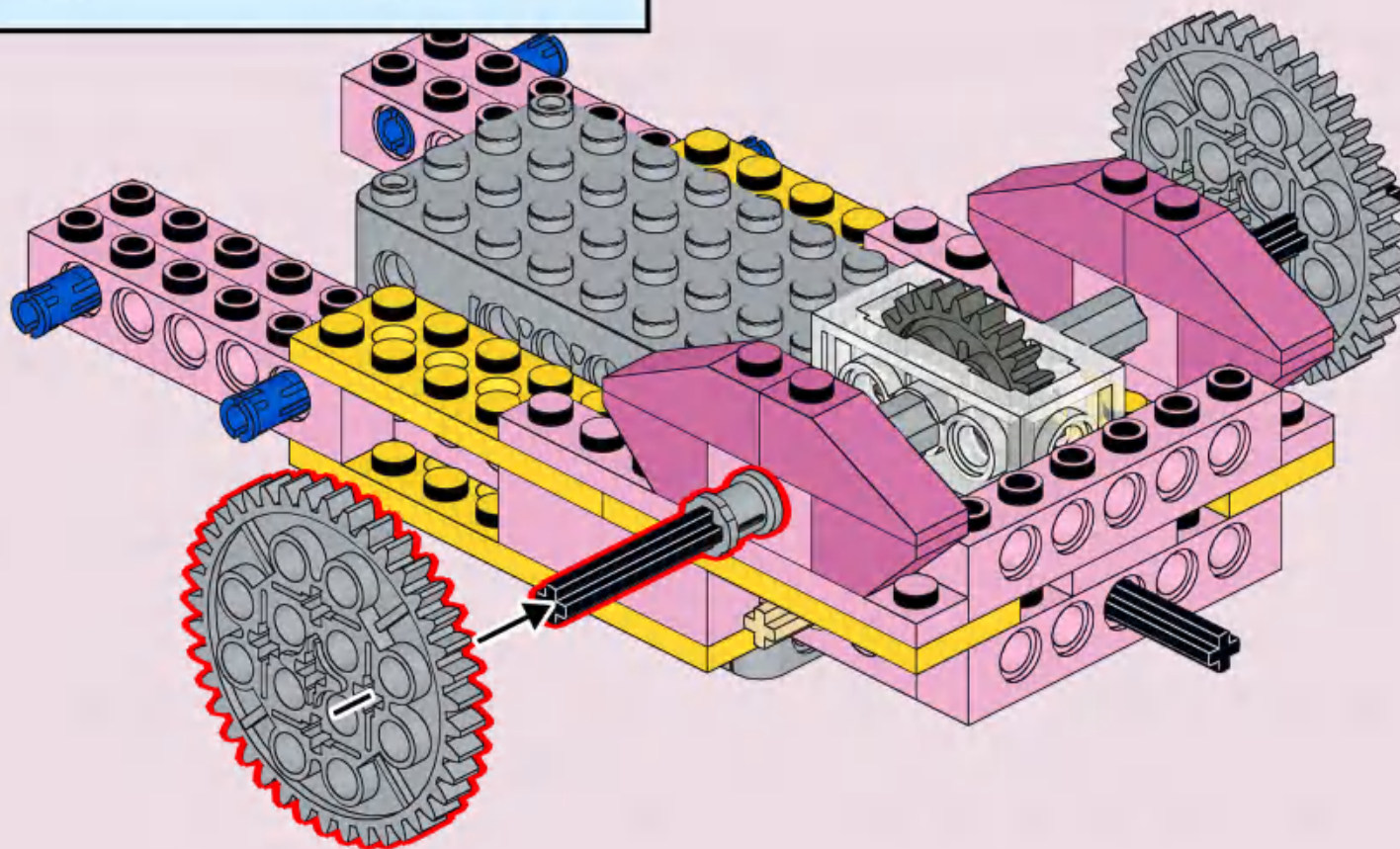
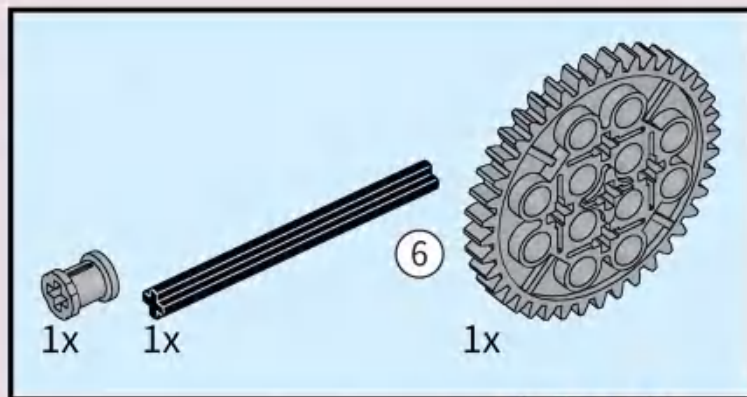
# 12



# 13

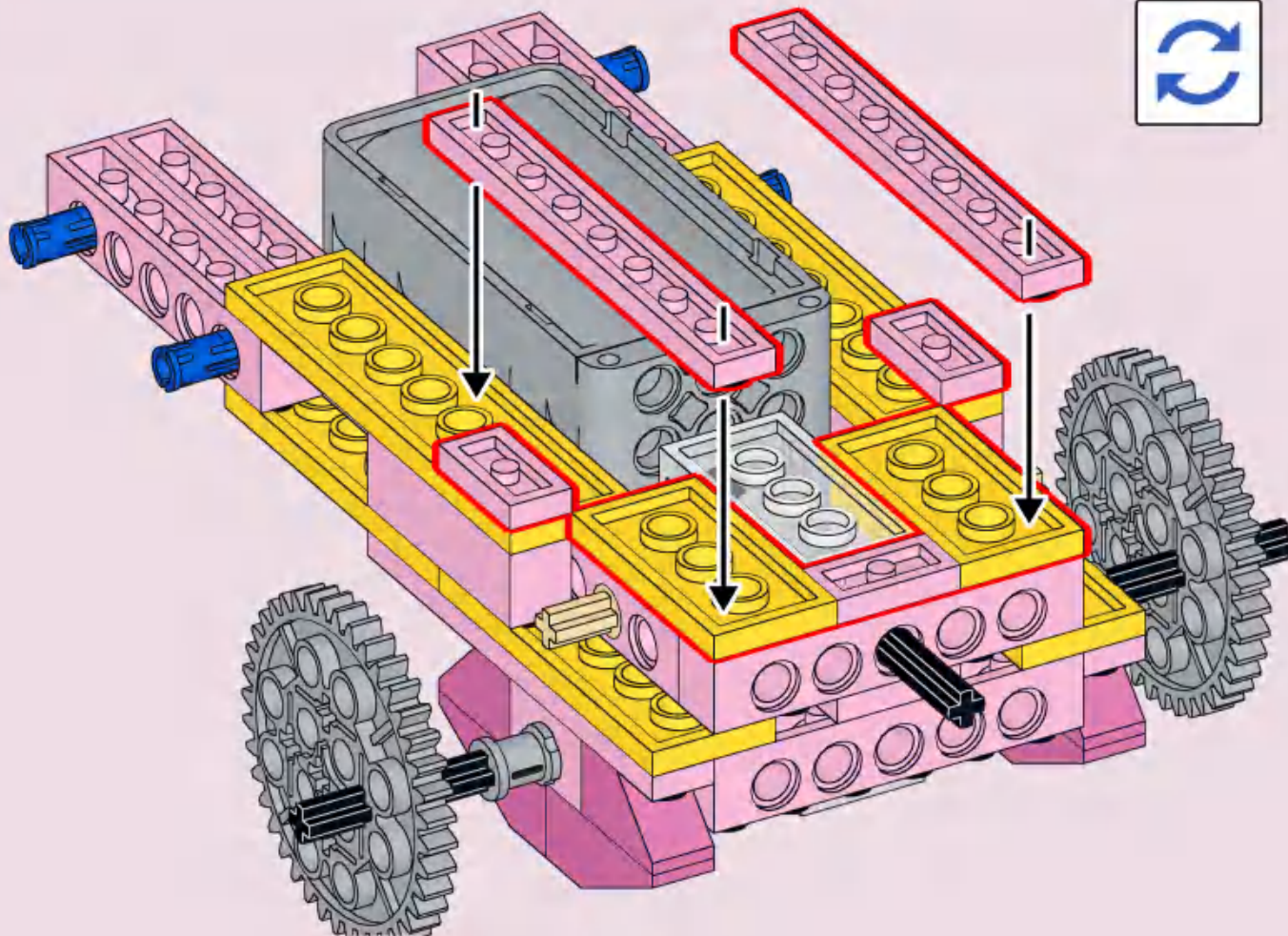
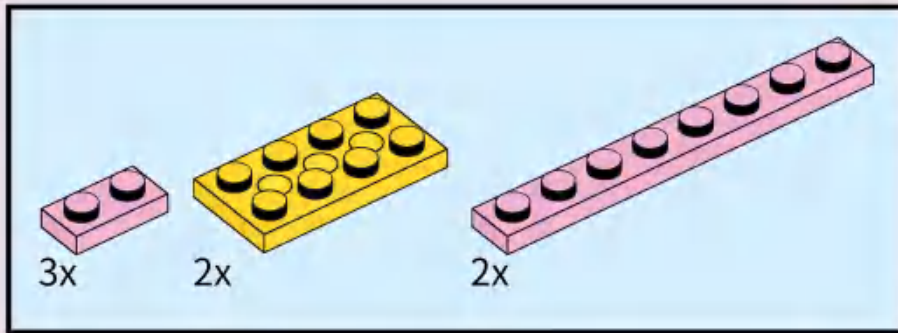


# 14

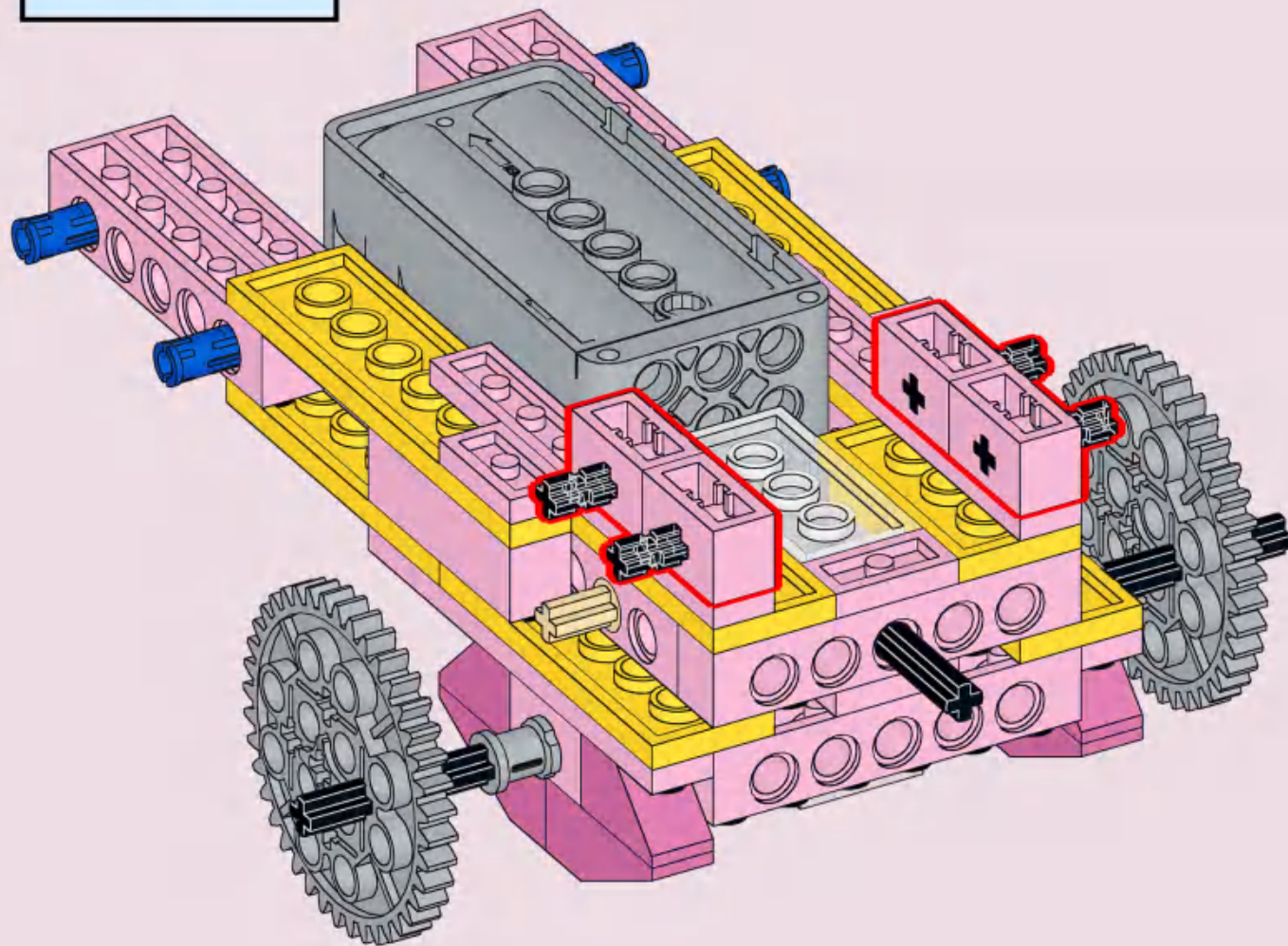
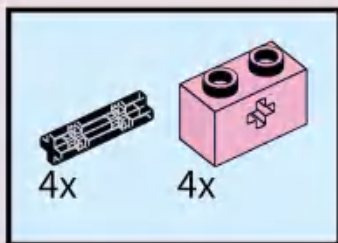




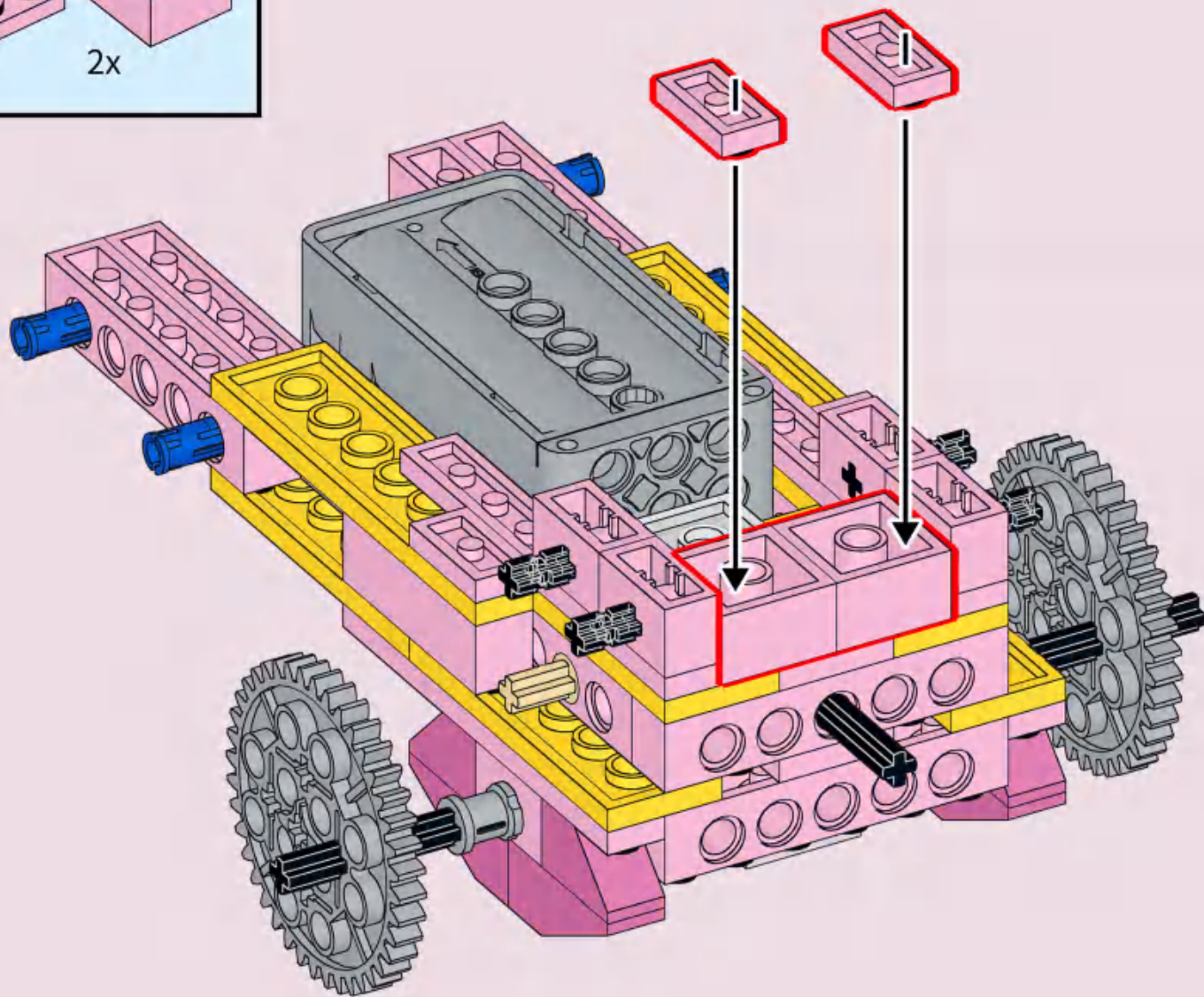
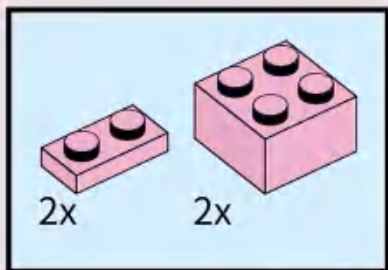
# 15



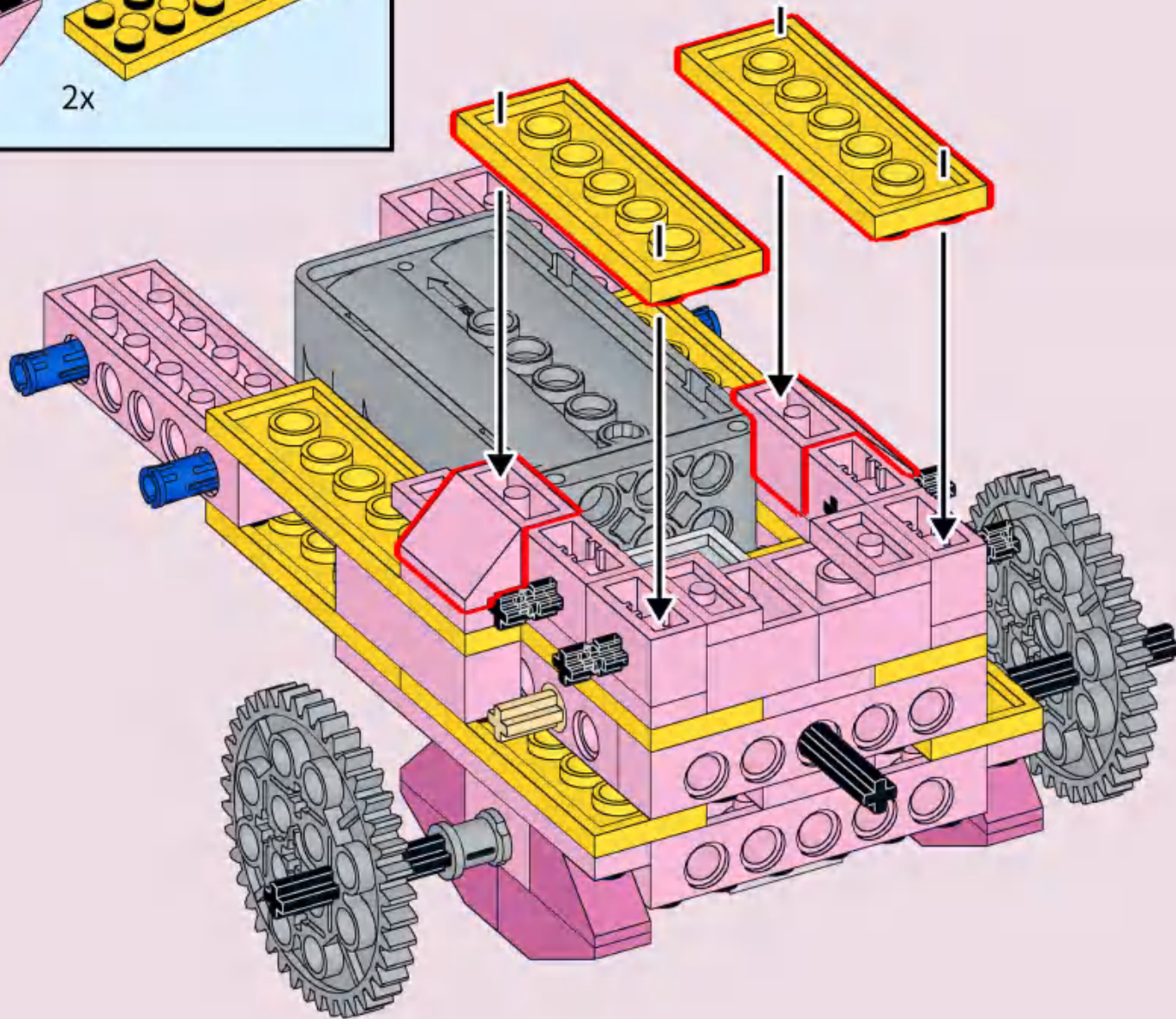
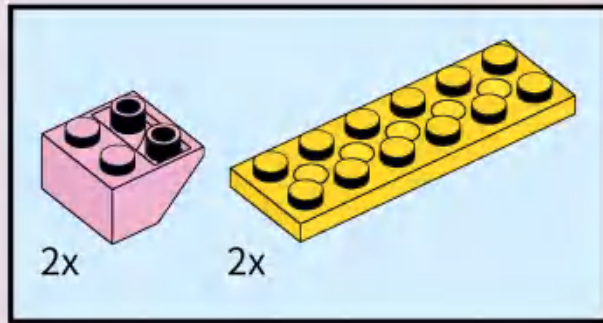
# 16



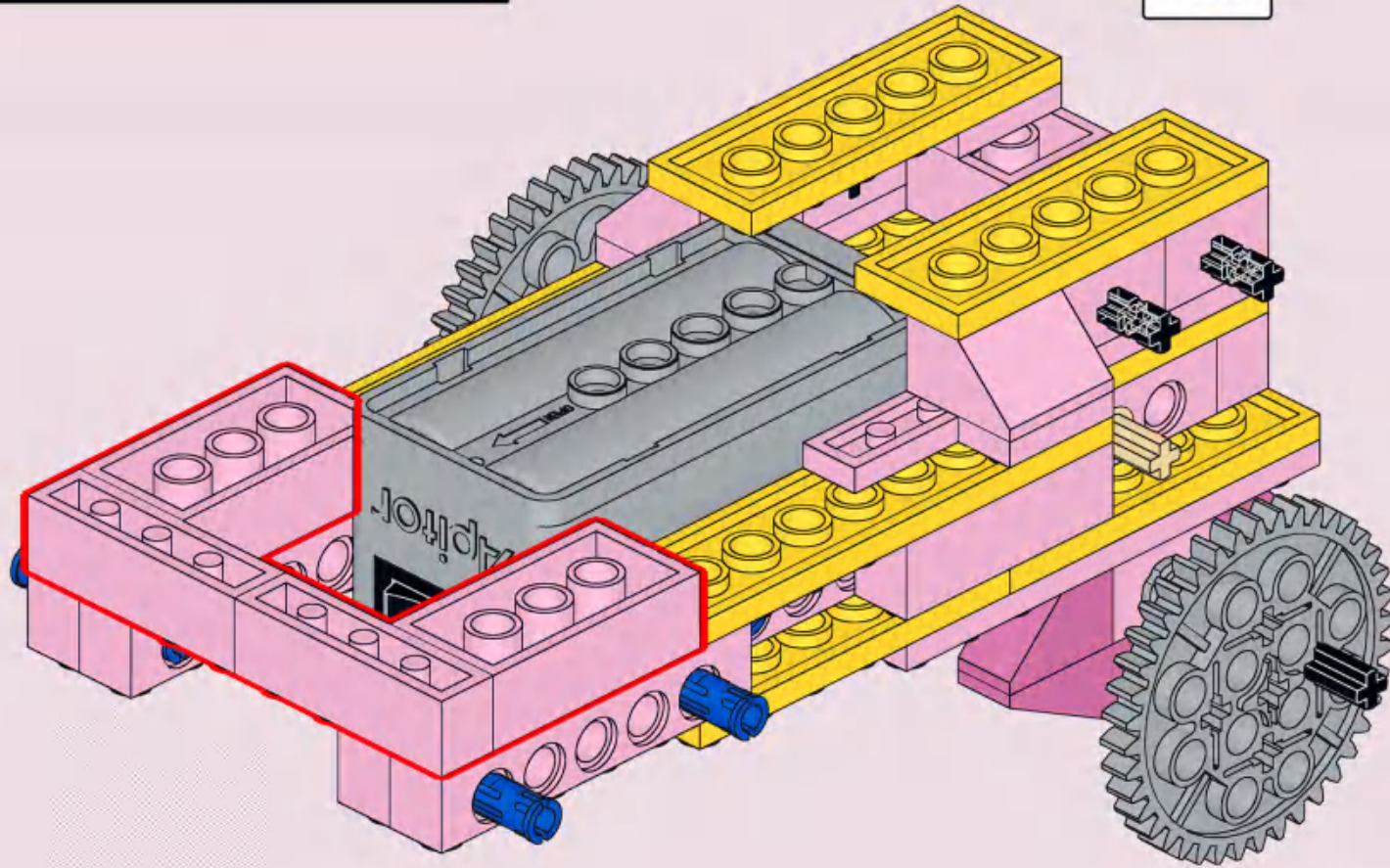
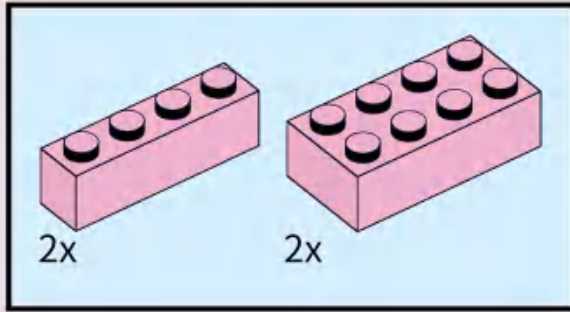
# 17



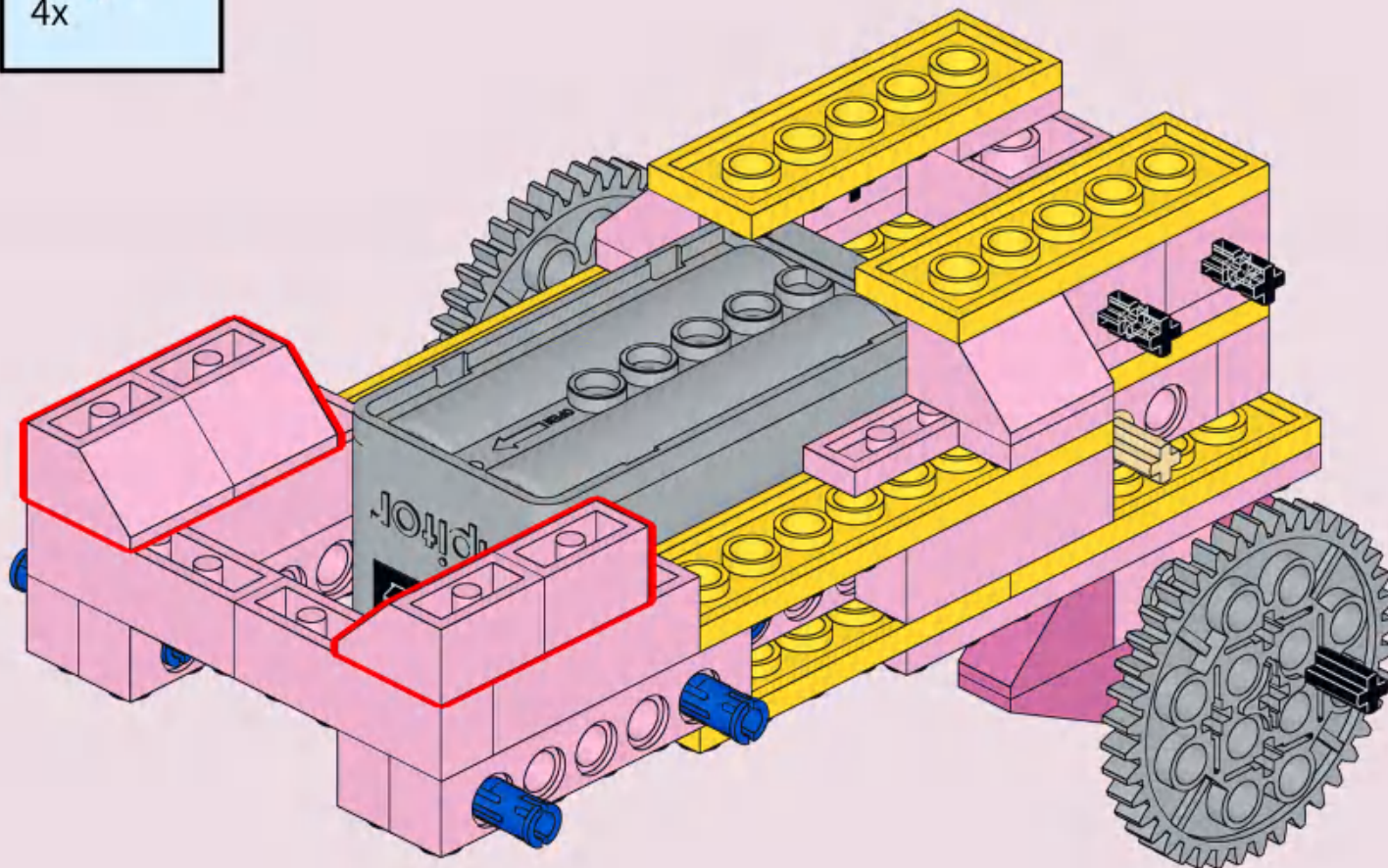
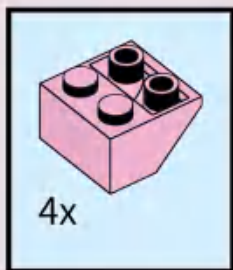
# 18



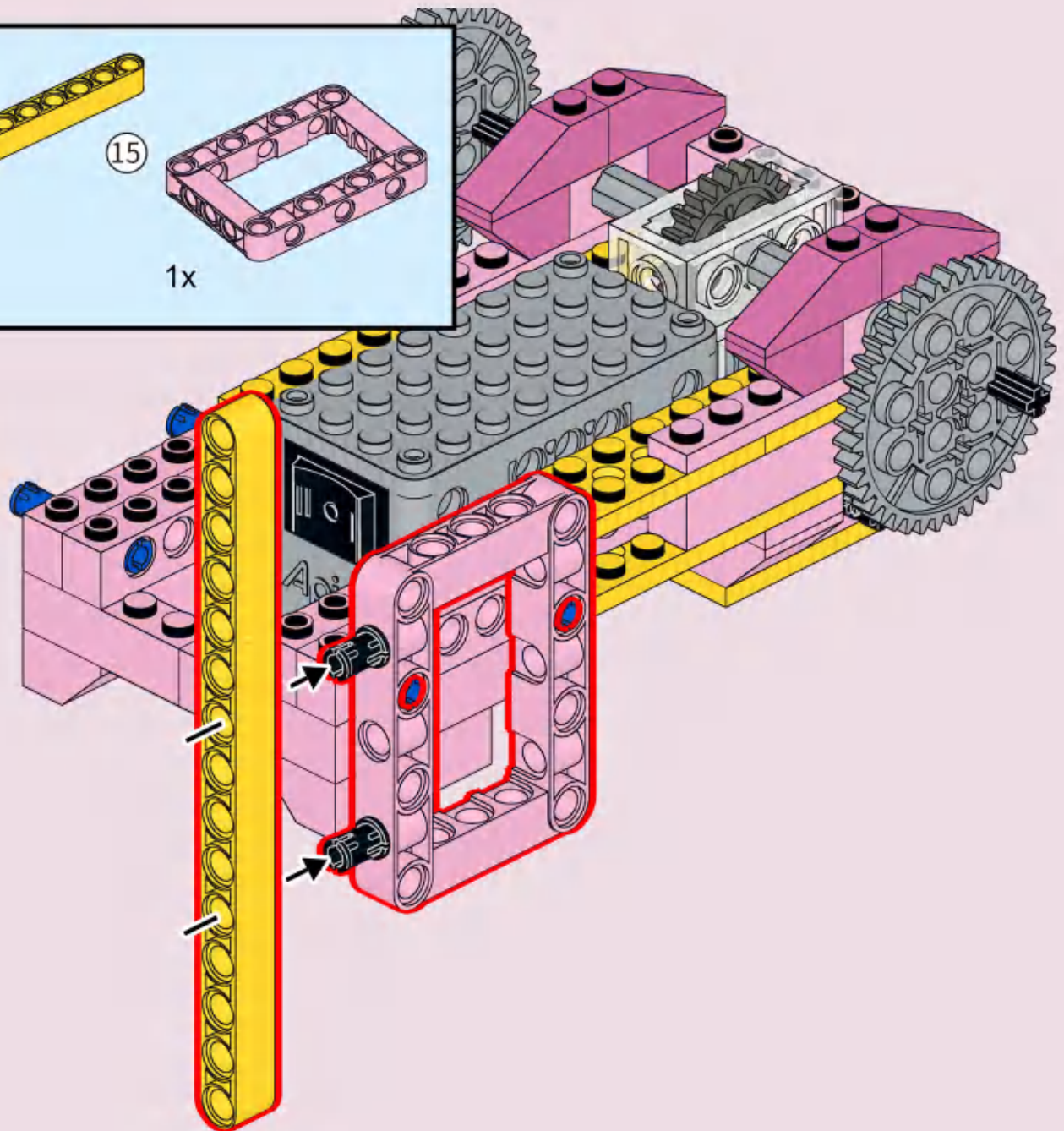
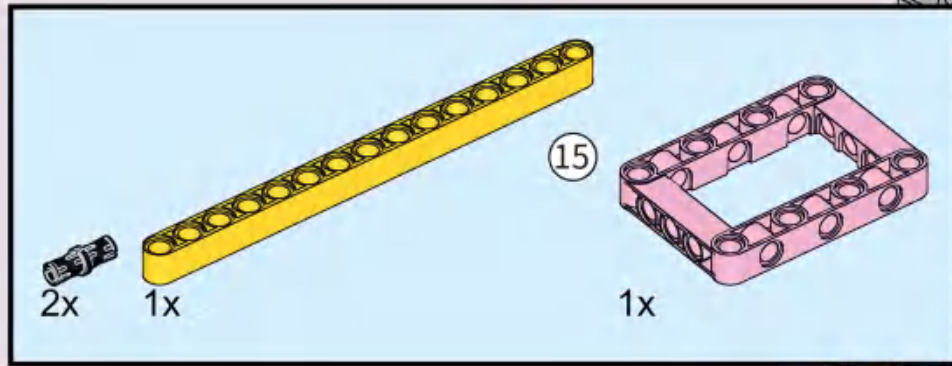
# 19



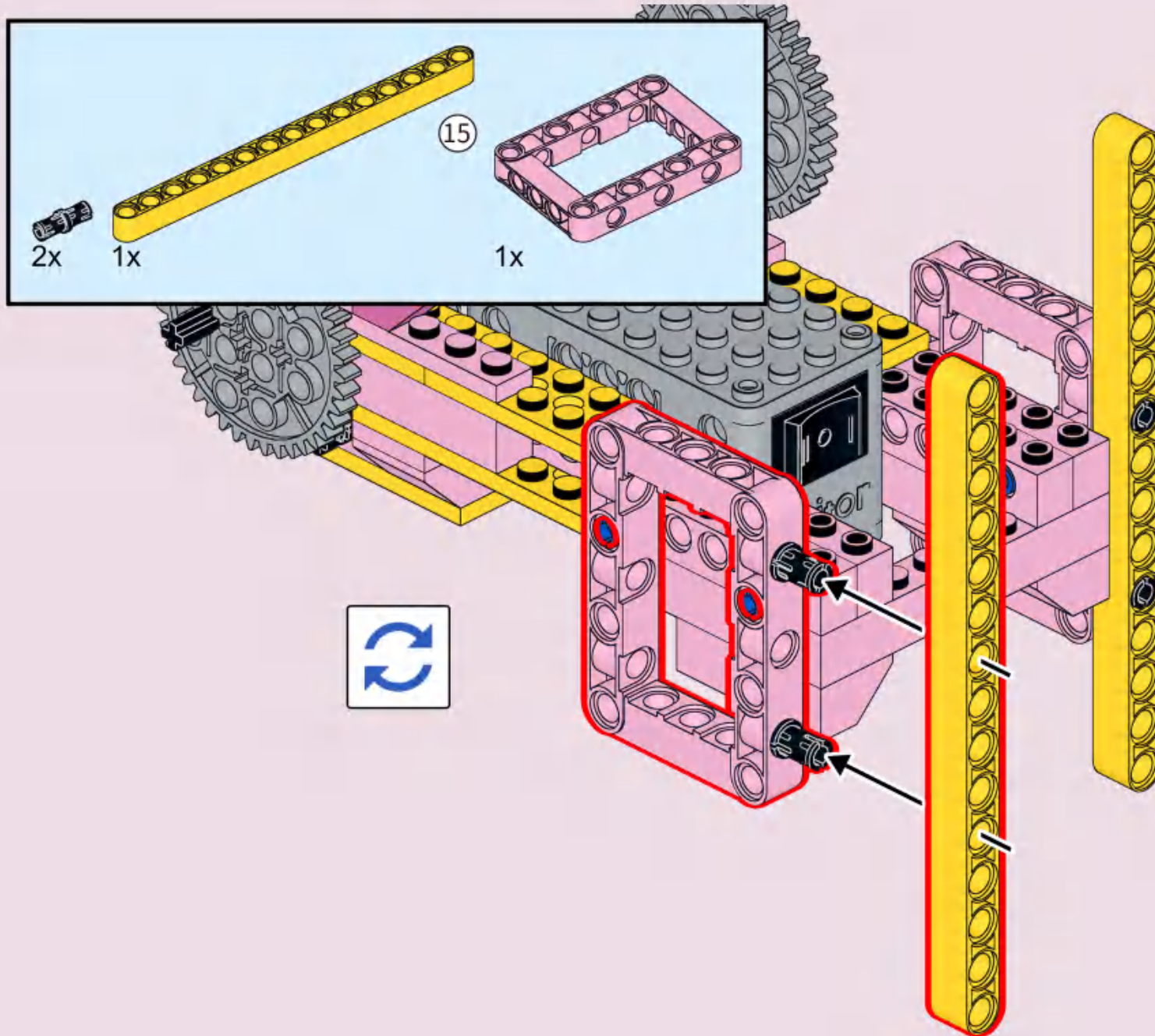
# 20



# 21

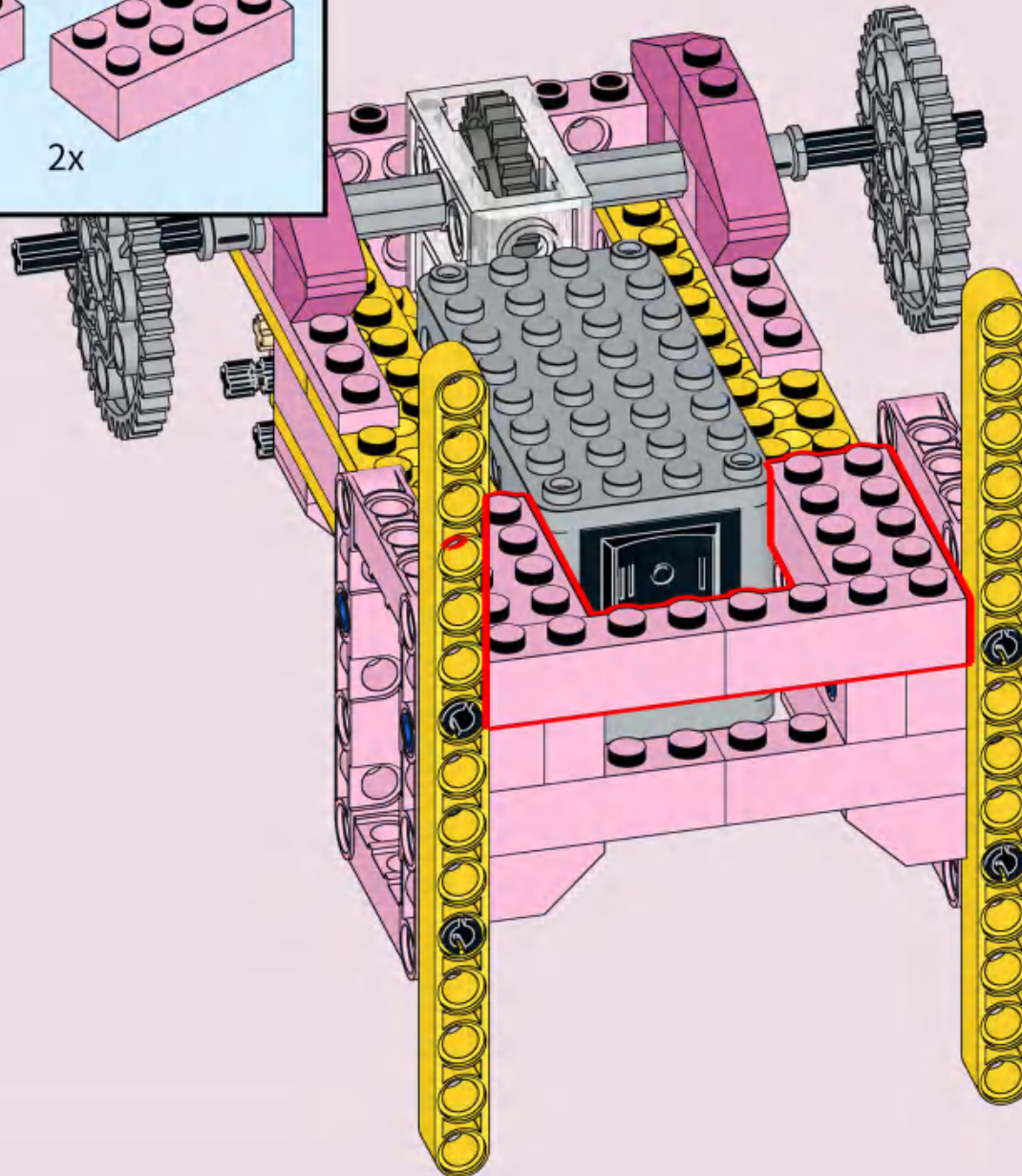
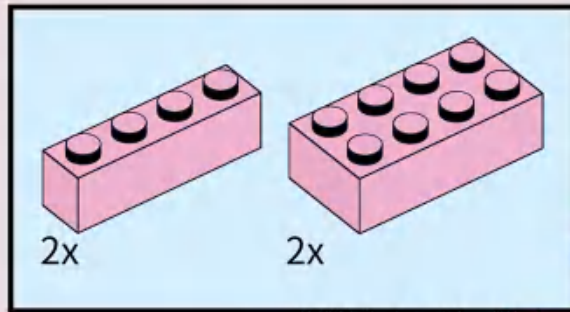


# 22

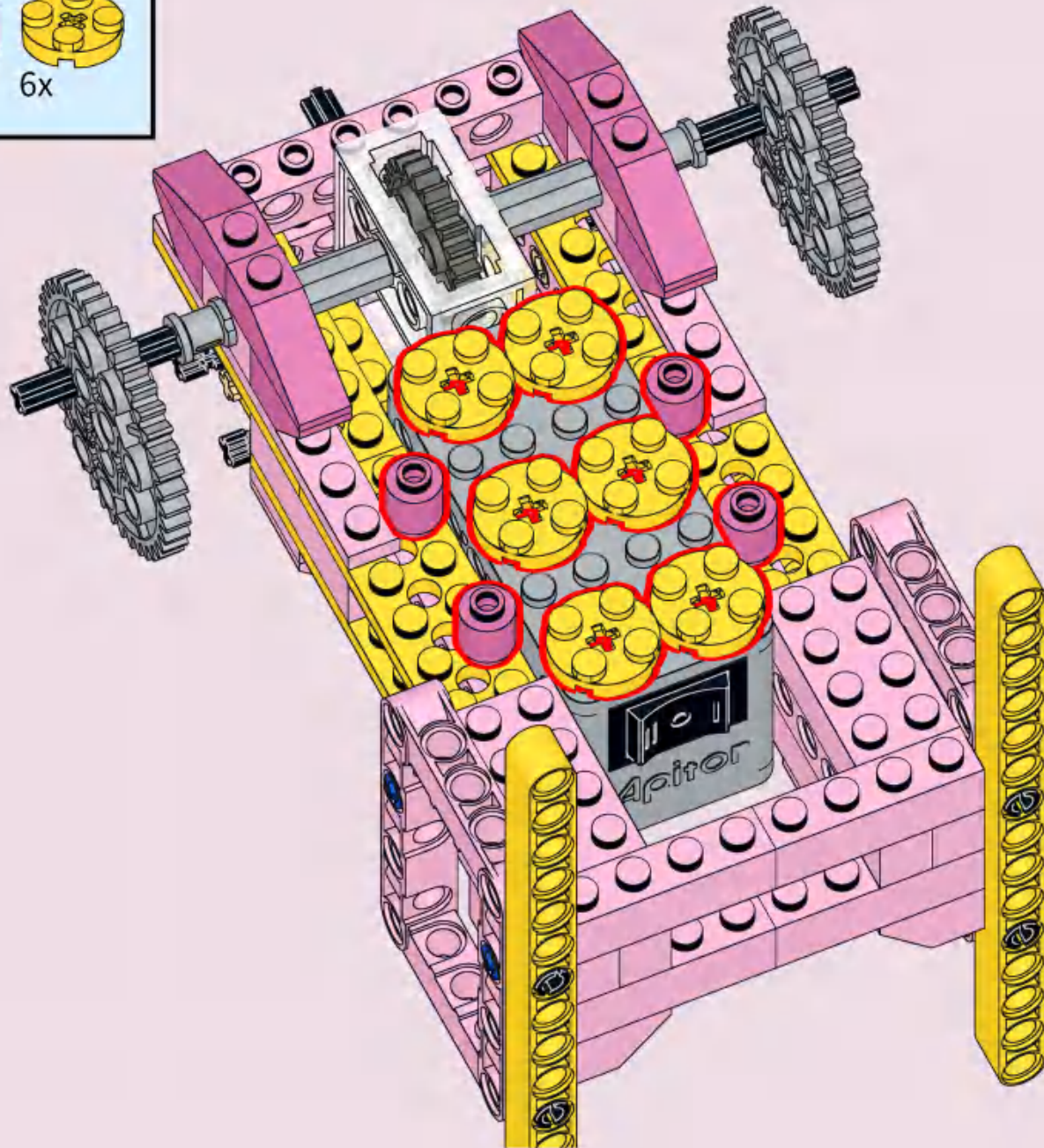
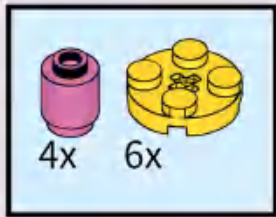




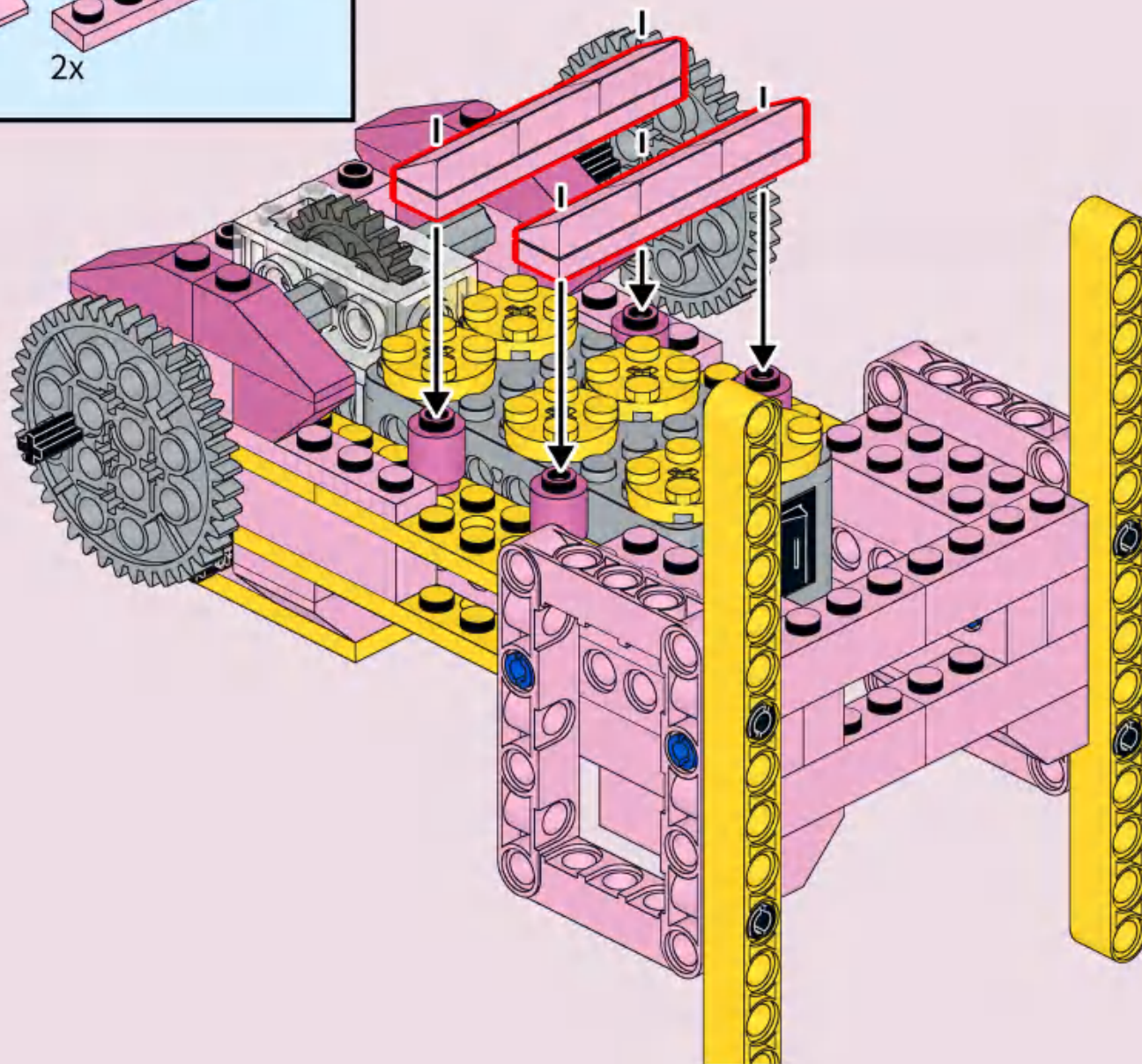
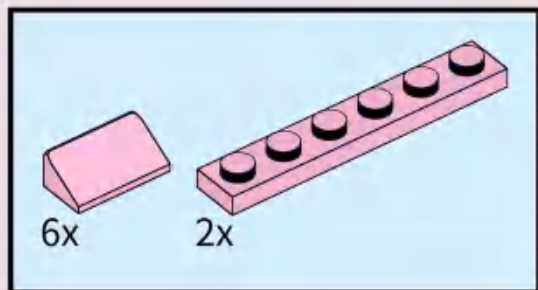
# 23



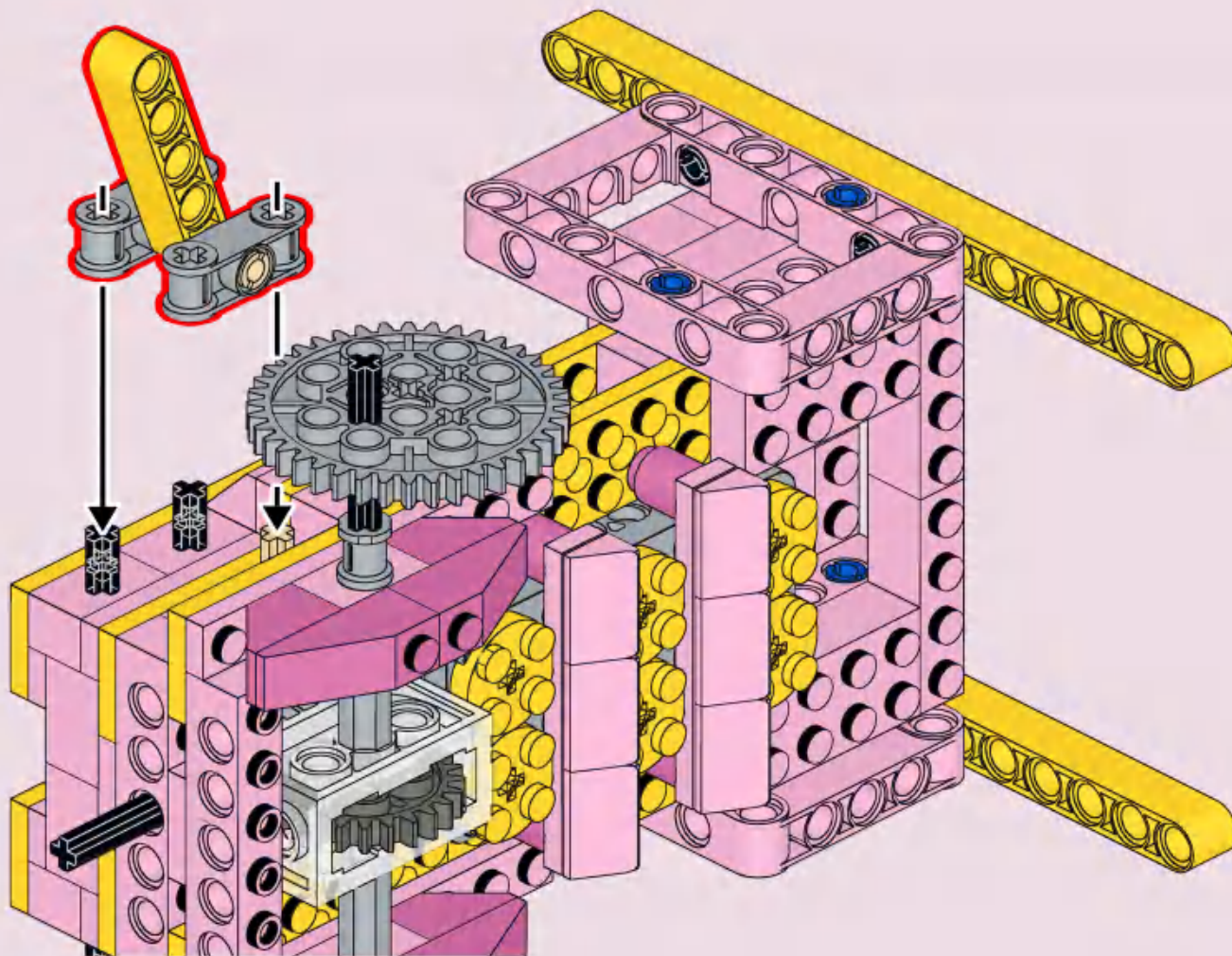
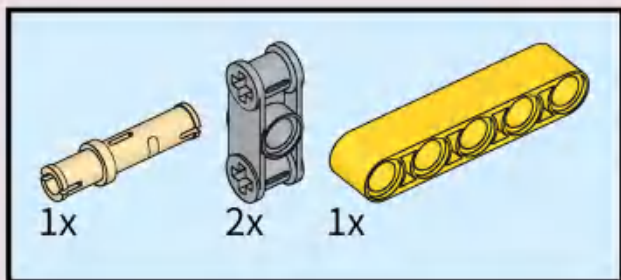
# 24



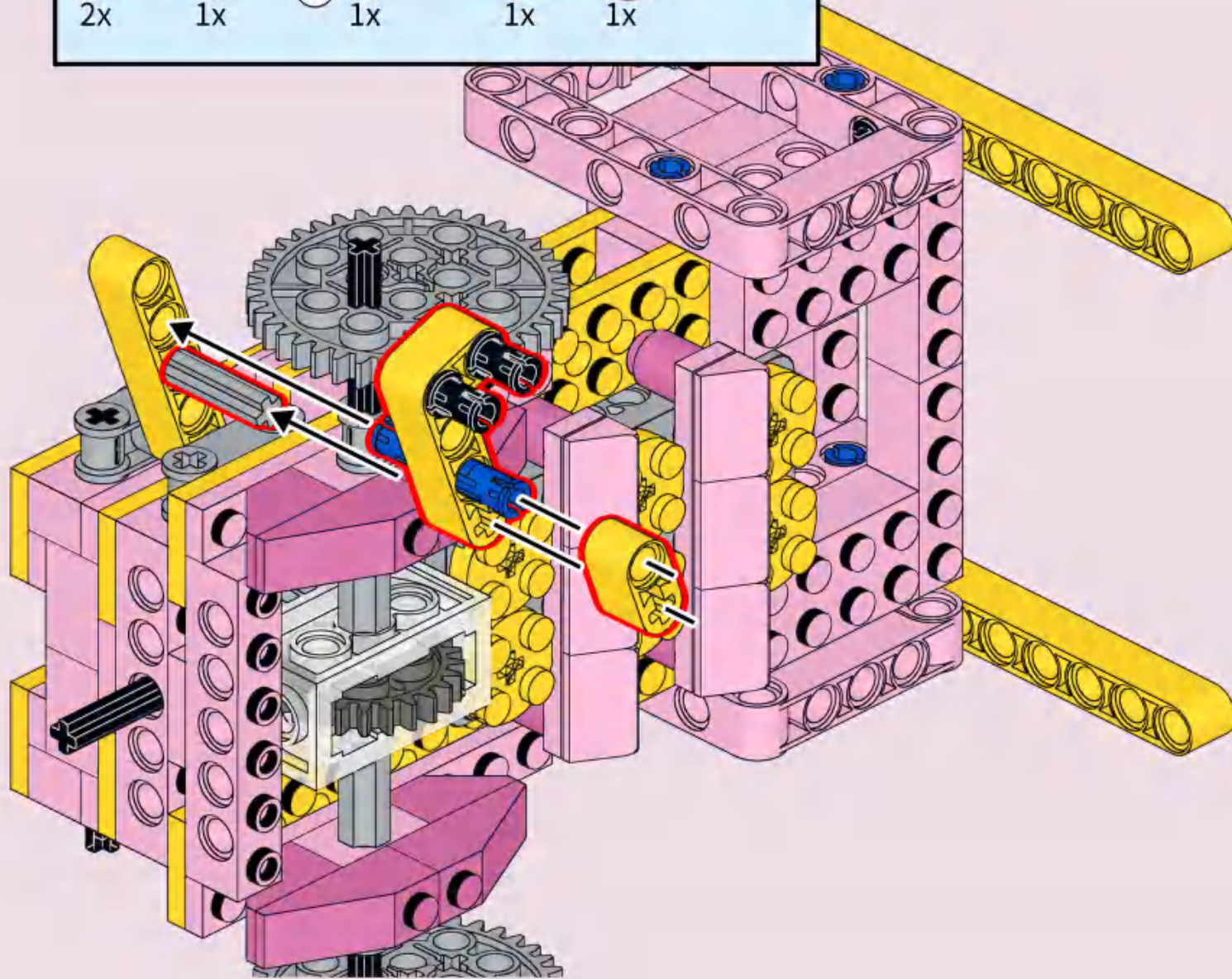
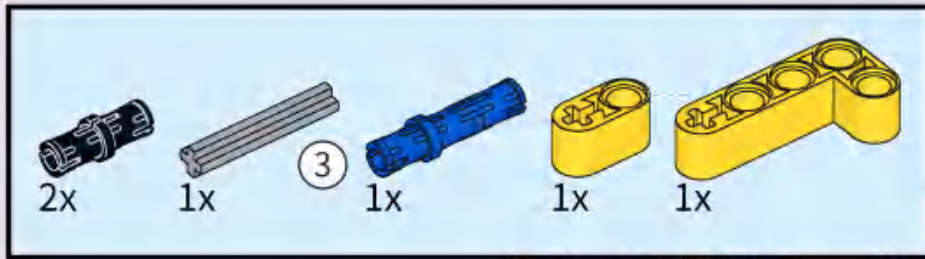
# 25



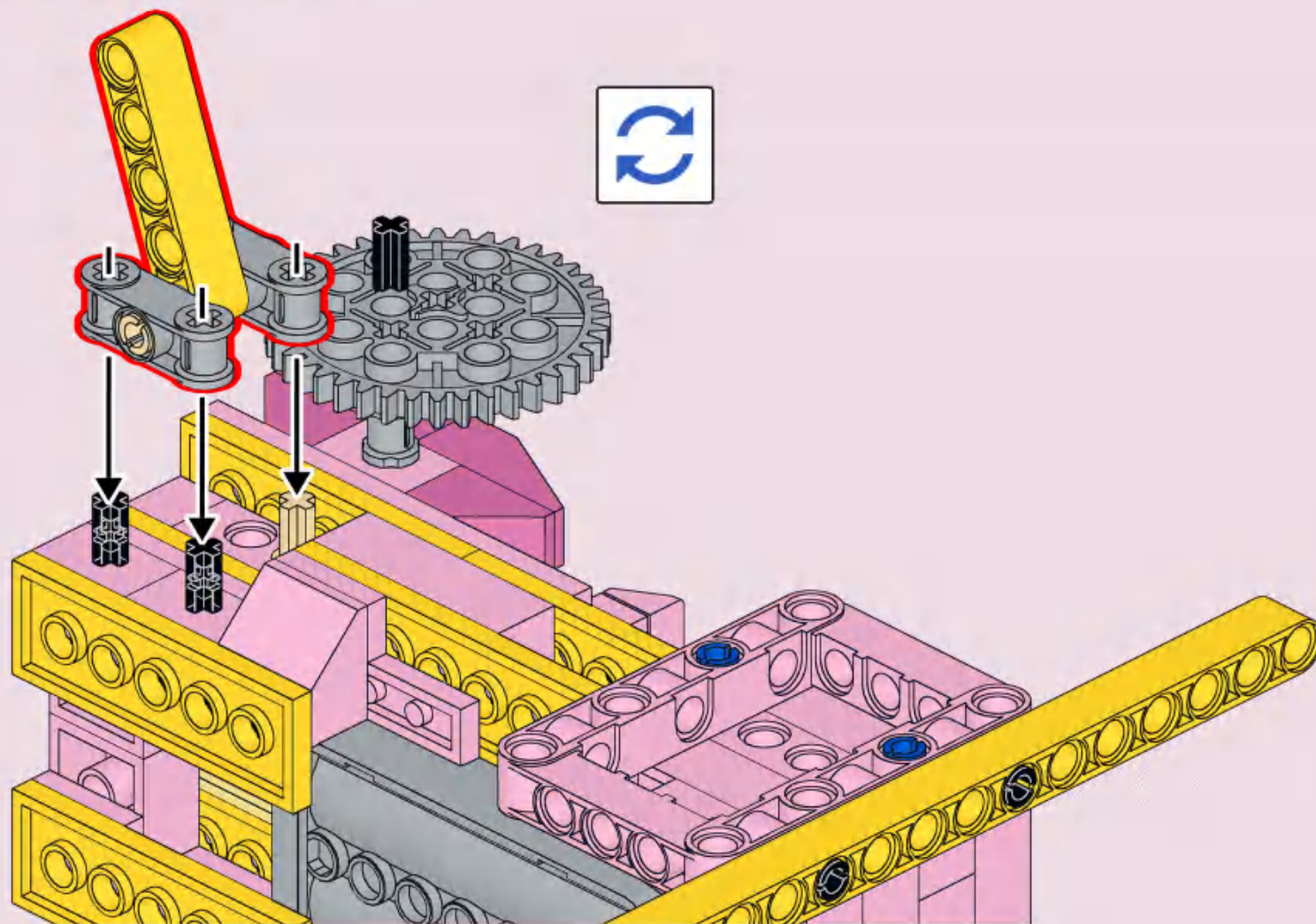
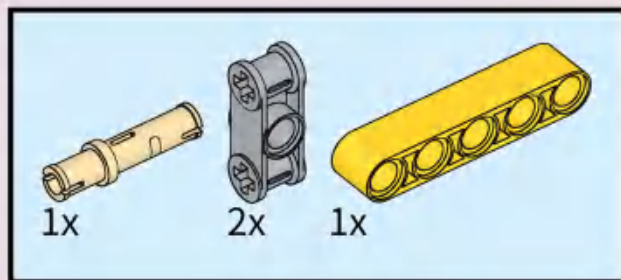
# 26



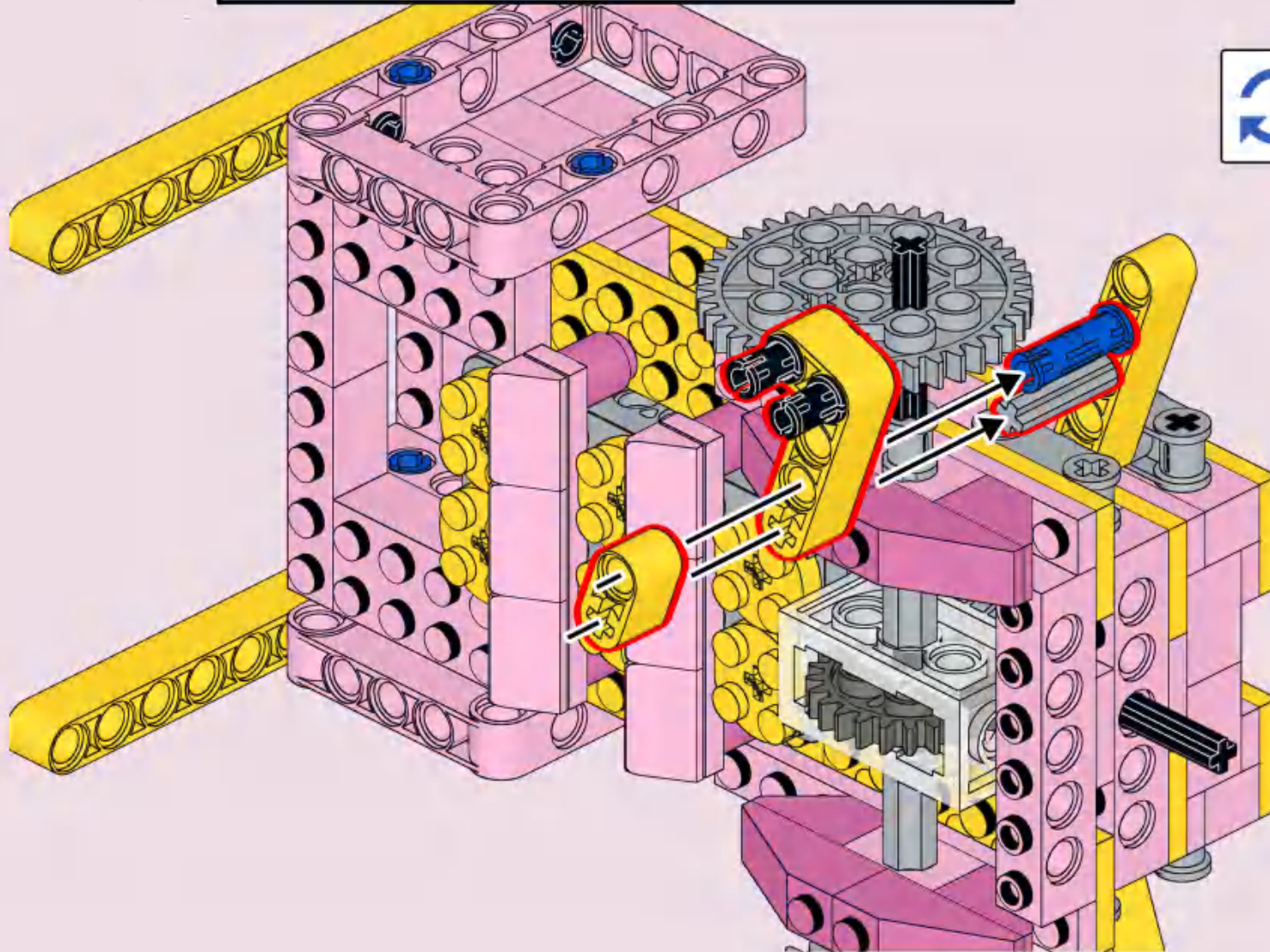
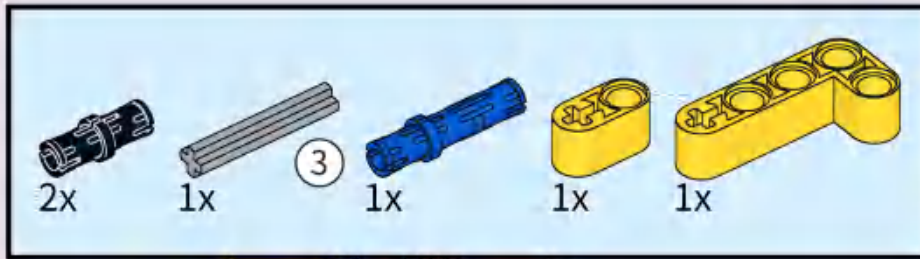
# 27



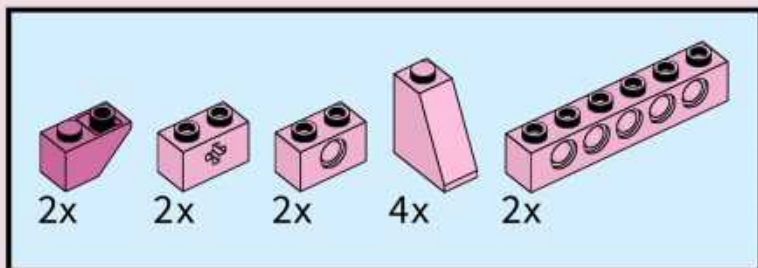
# 28



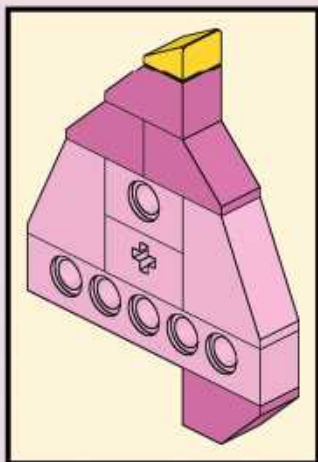
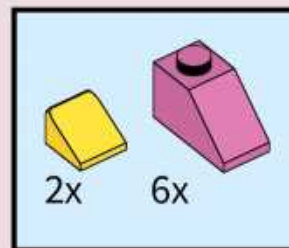
# 29



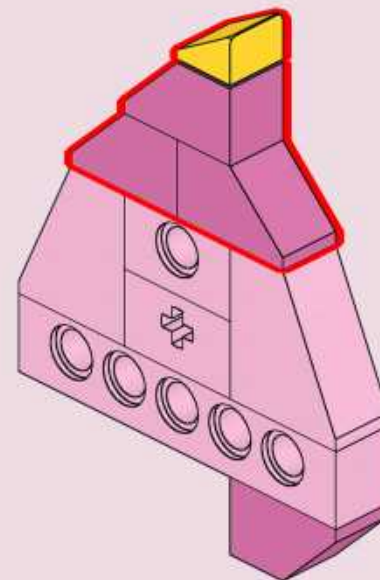
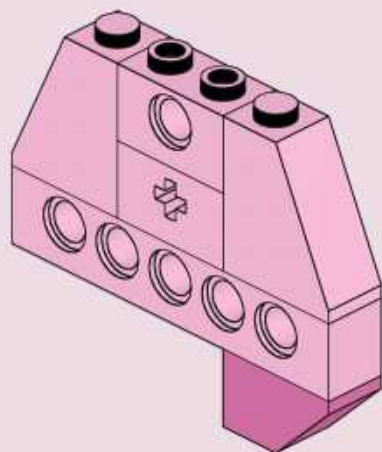
# 30



# 31

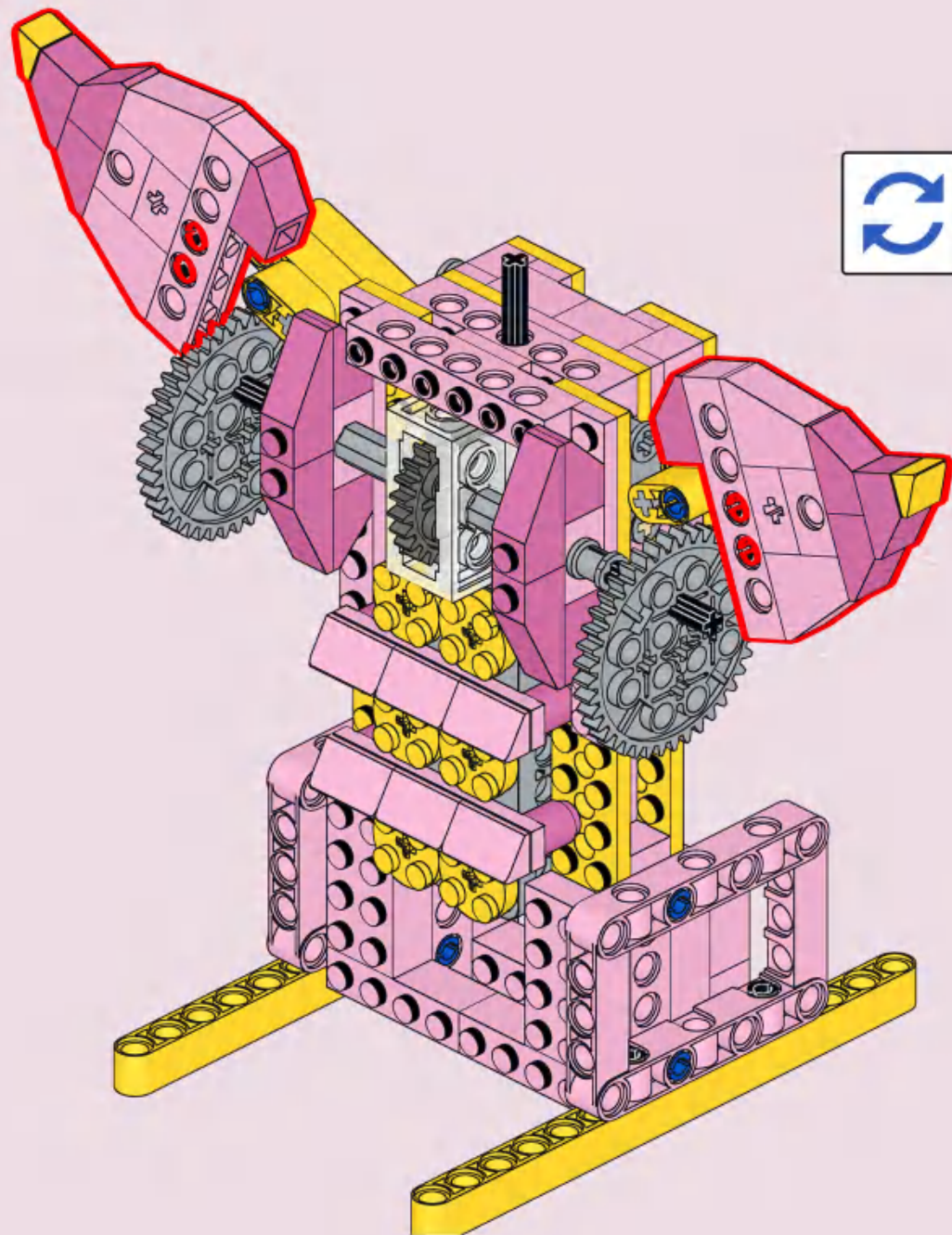


2x

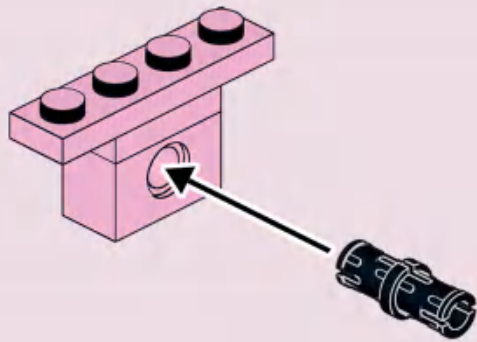
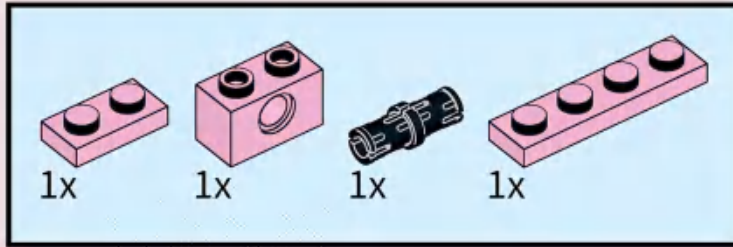




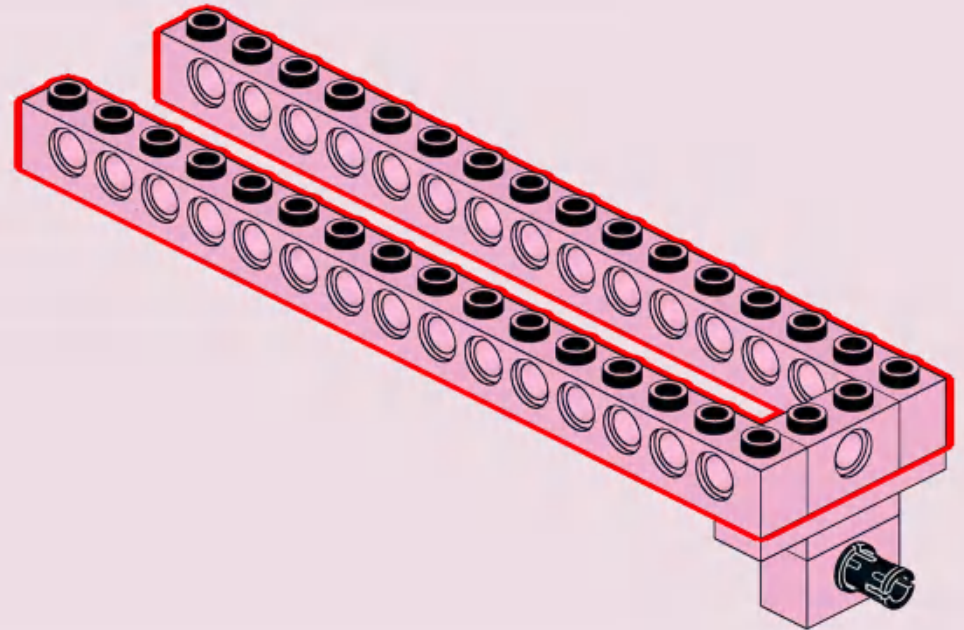
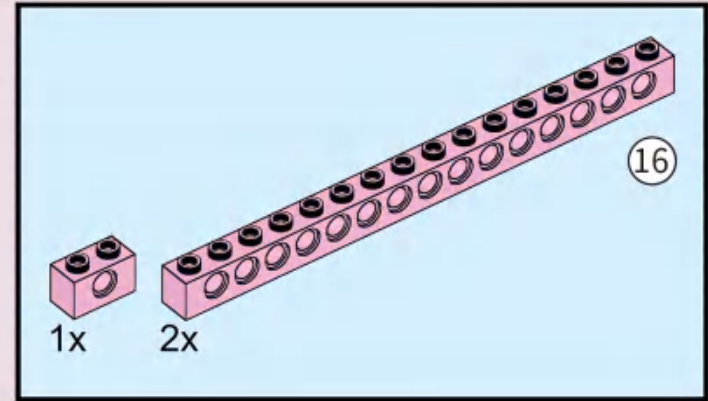
32



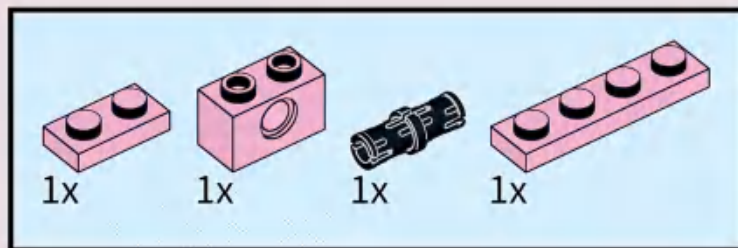
# 33



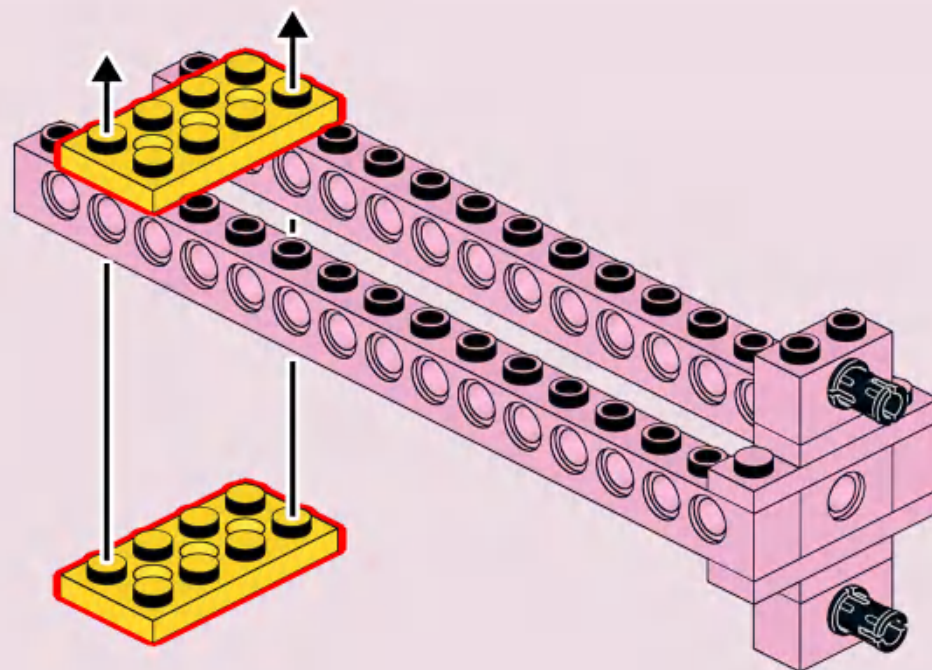
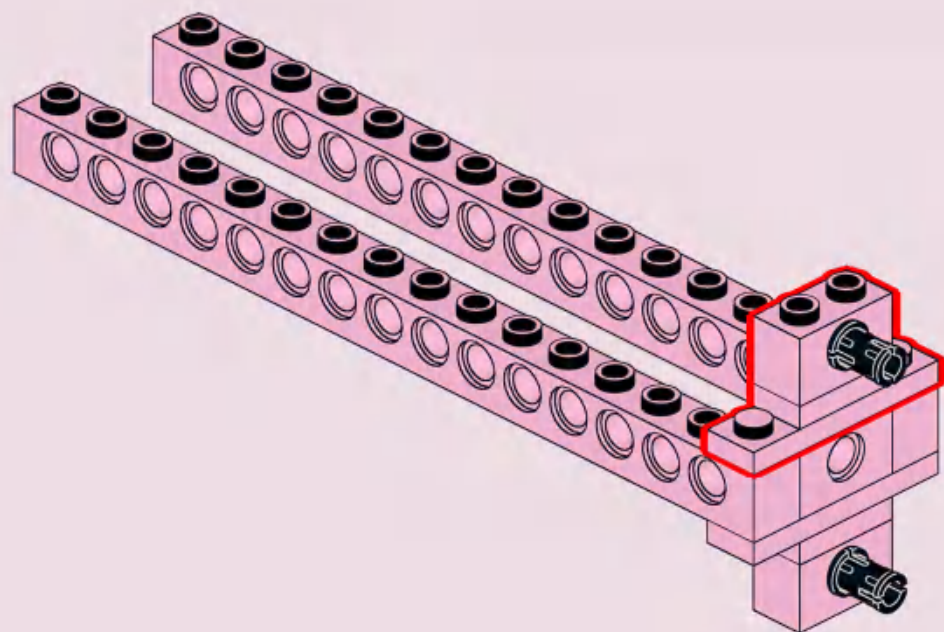
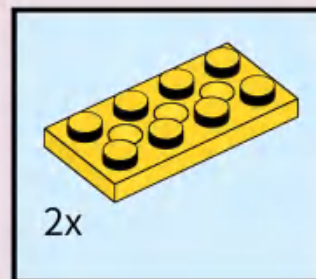
# 34



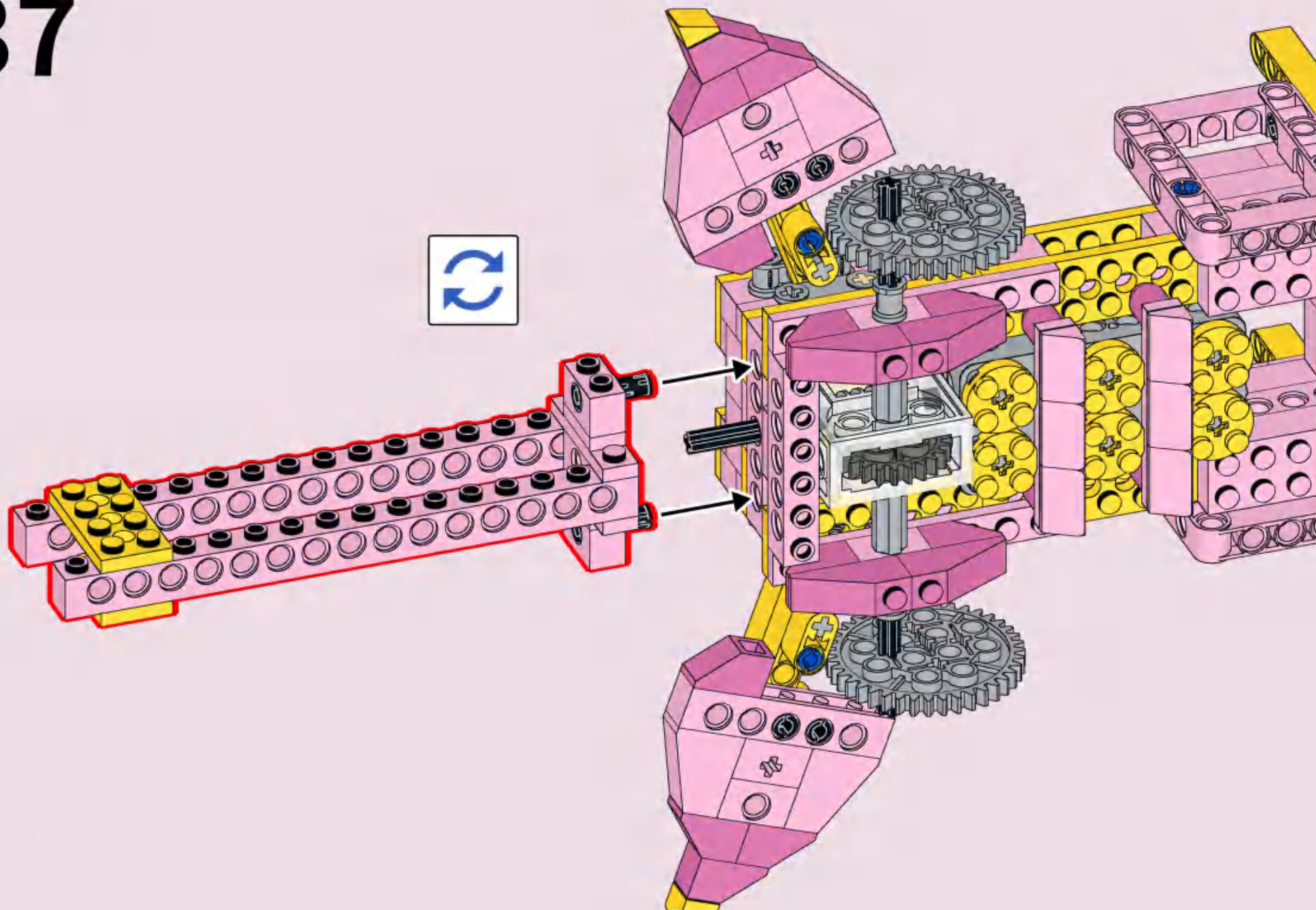
# 35



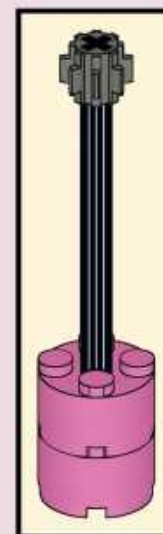
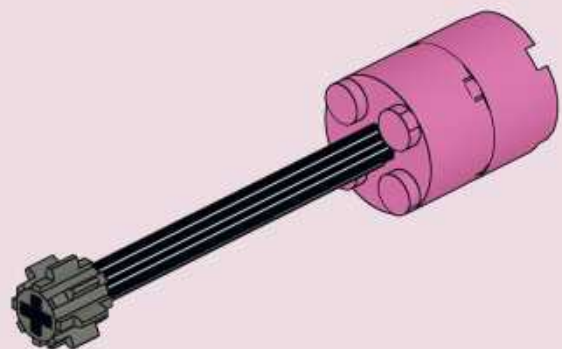
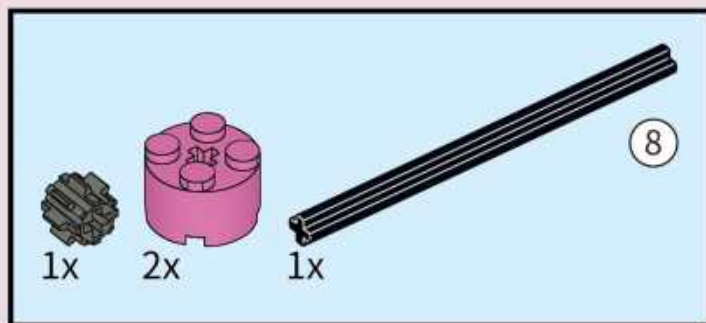
# 36



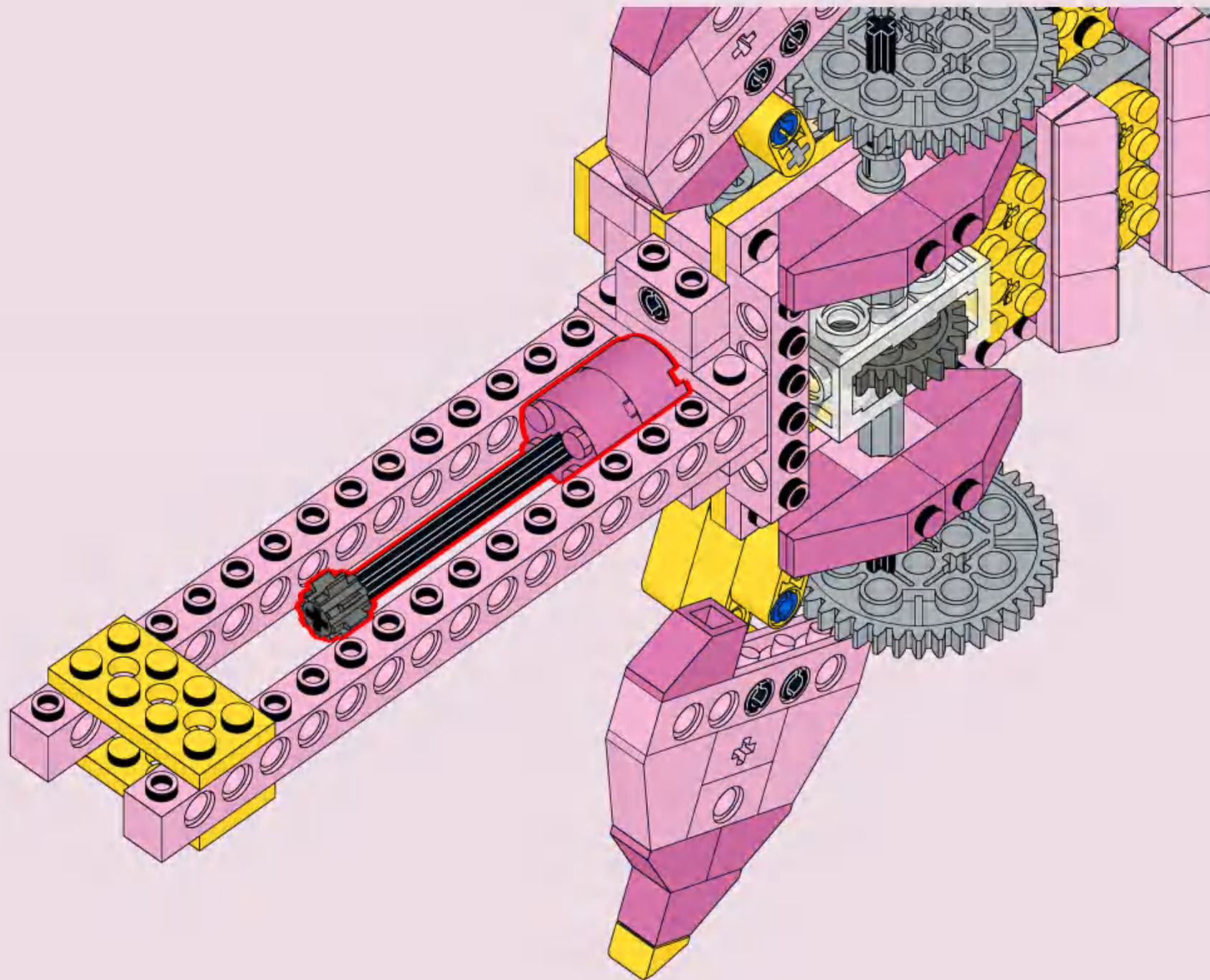
# 37



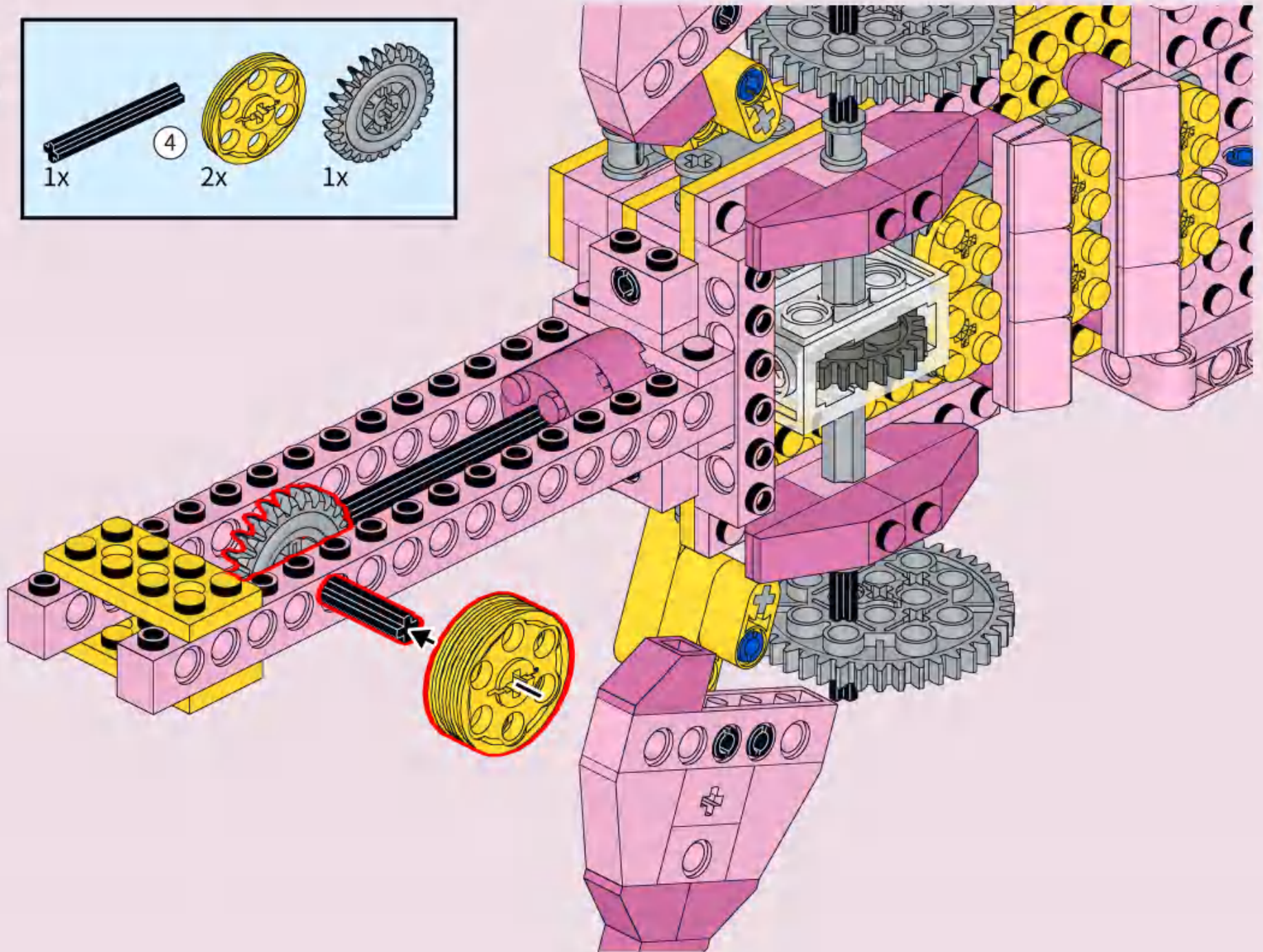
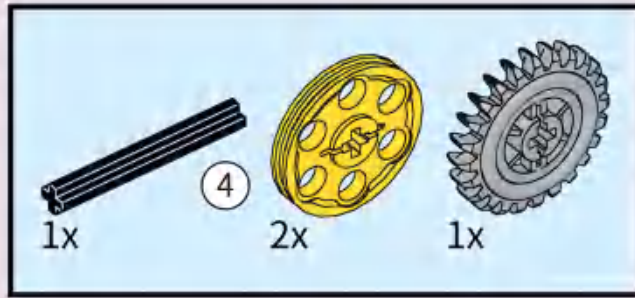
# 38



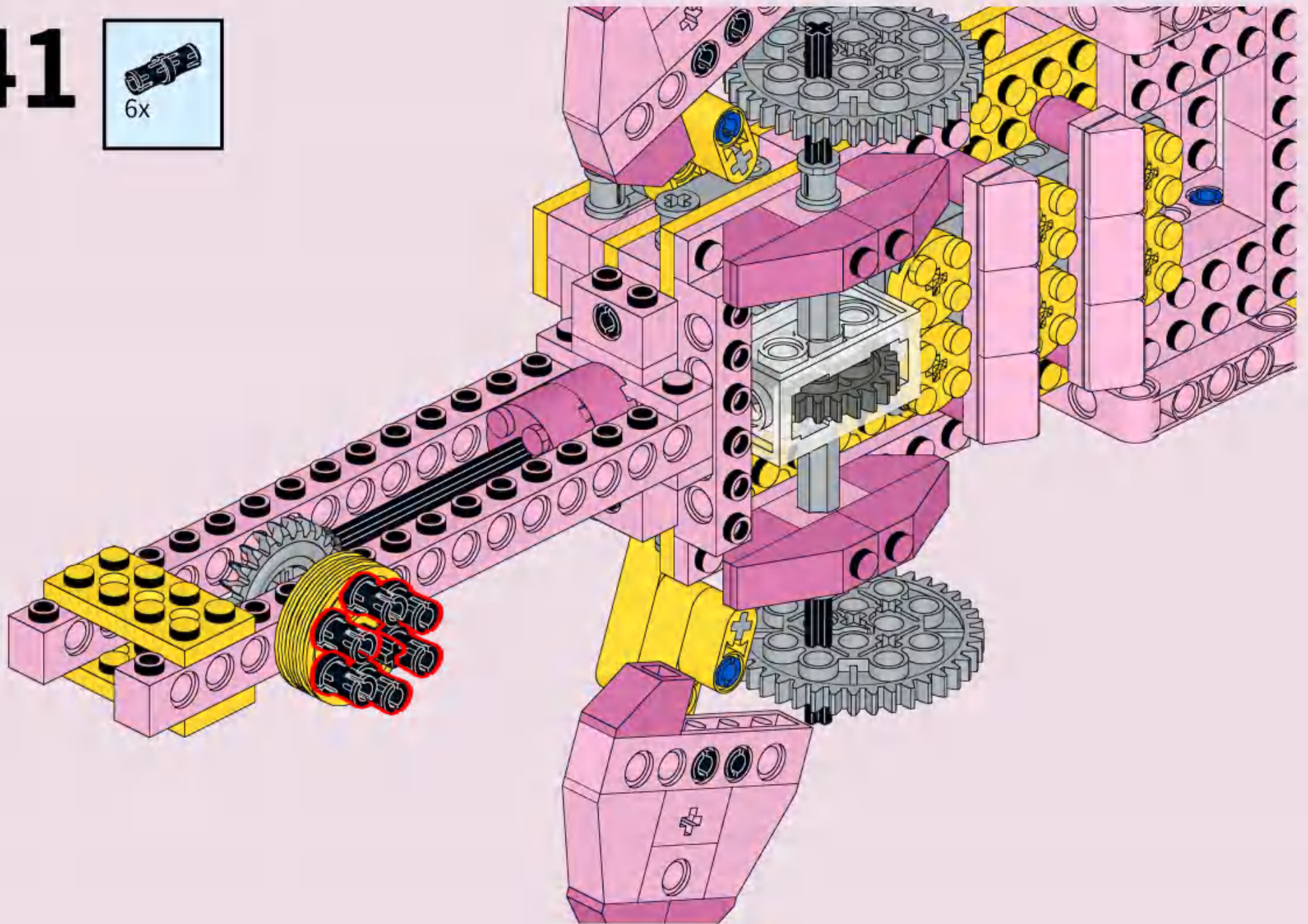
39



# 40



# 41

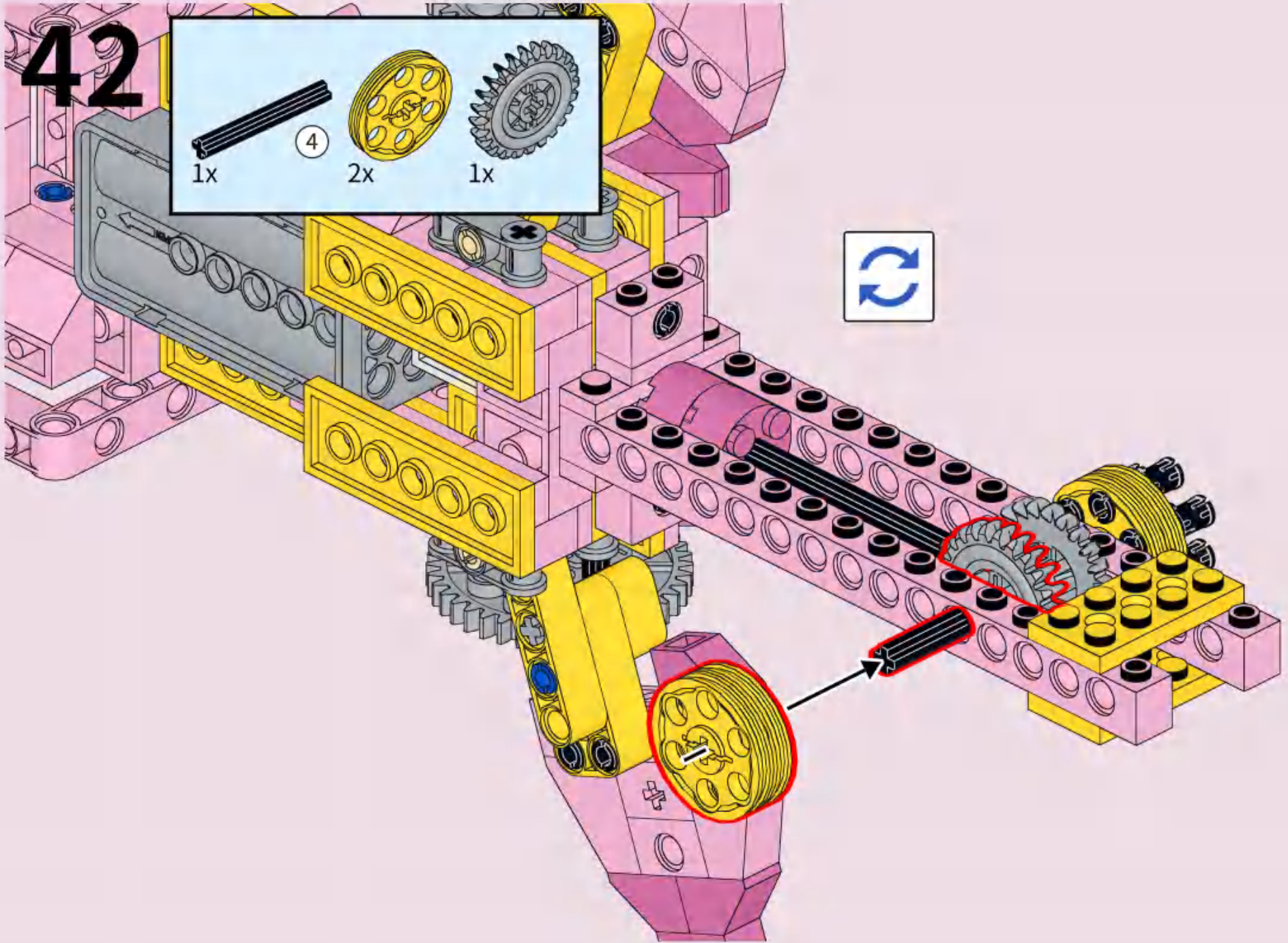




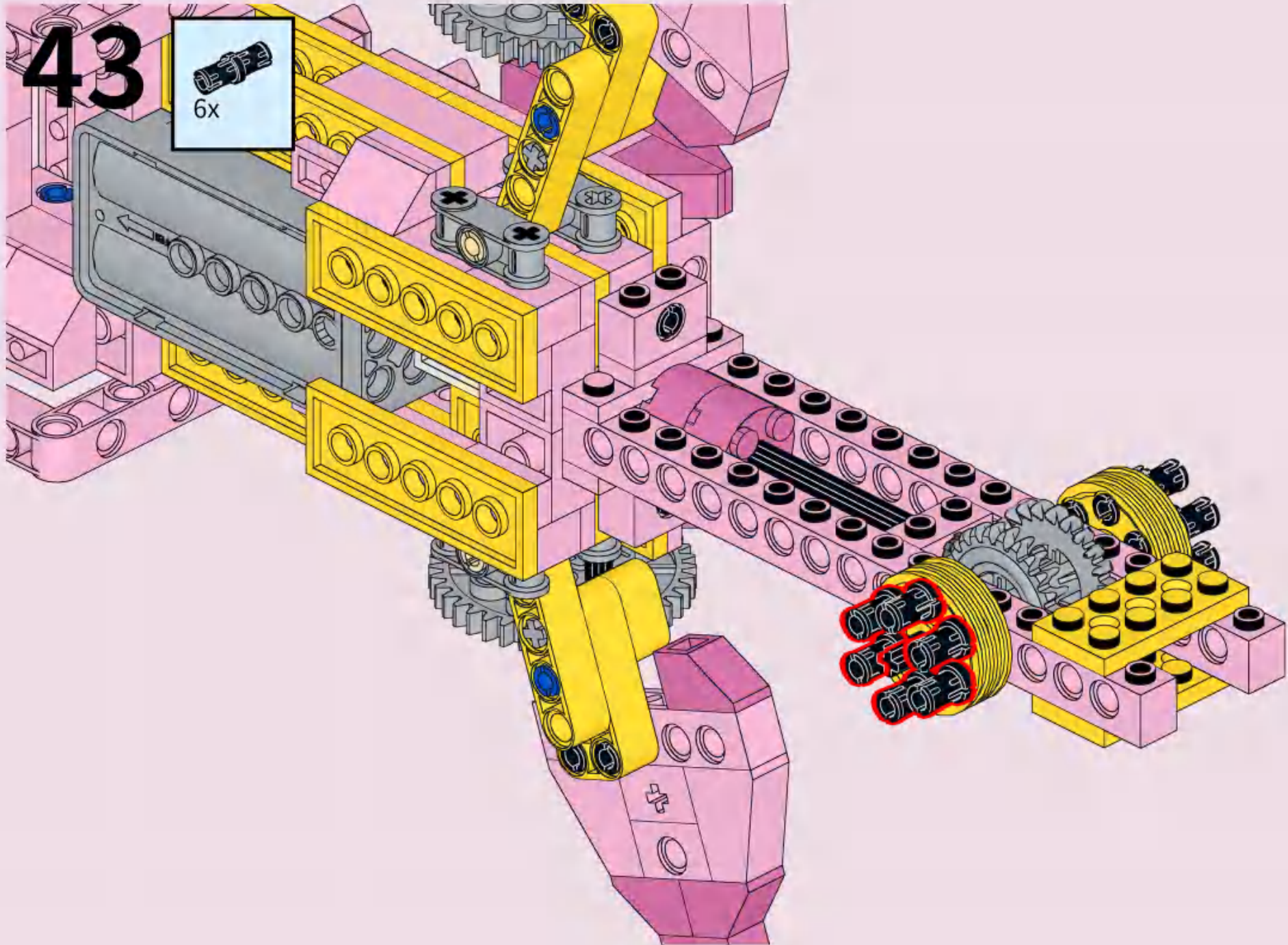
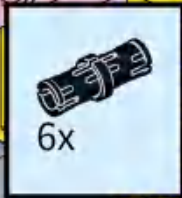
42

1x 4 2x 1x

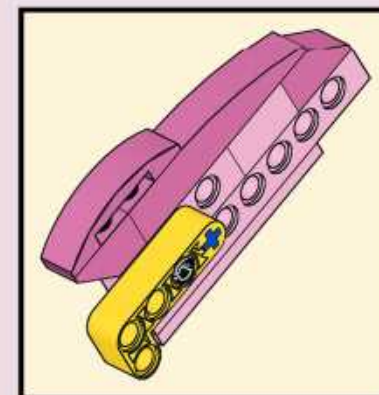
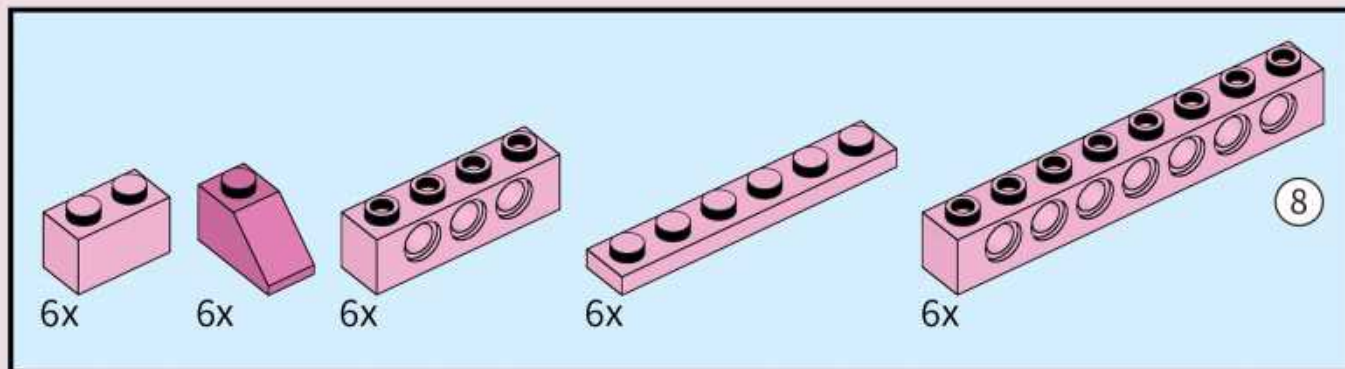
This inset box lists the required parts for step 42: one black axle (labeled '1x'), a yellow 24-tooth gear (labeled '4' in a circle and '2x'), and a grey 24-tooth gear (labeled '1x').



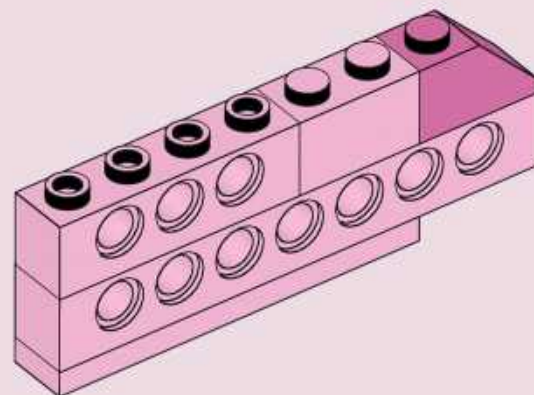
43



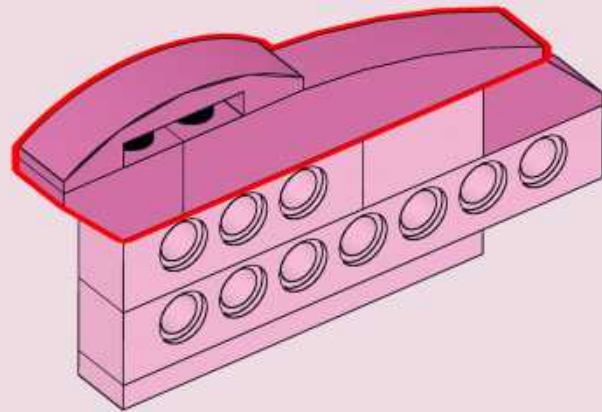
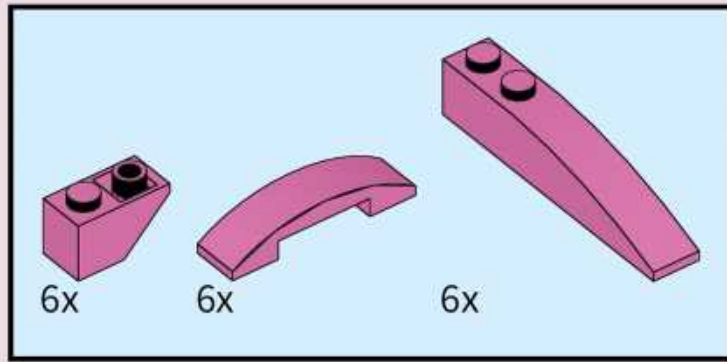
# 44



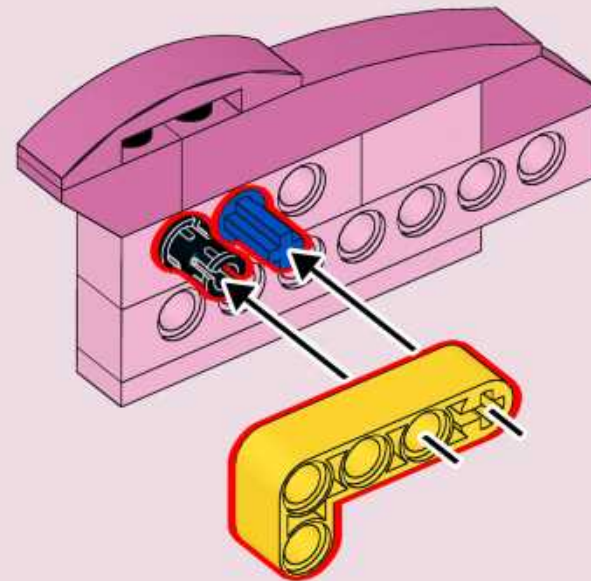
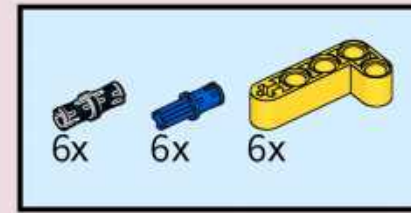
**6x**



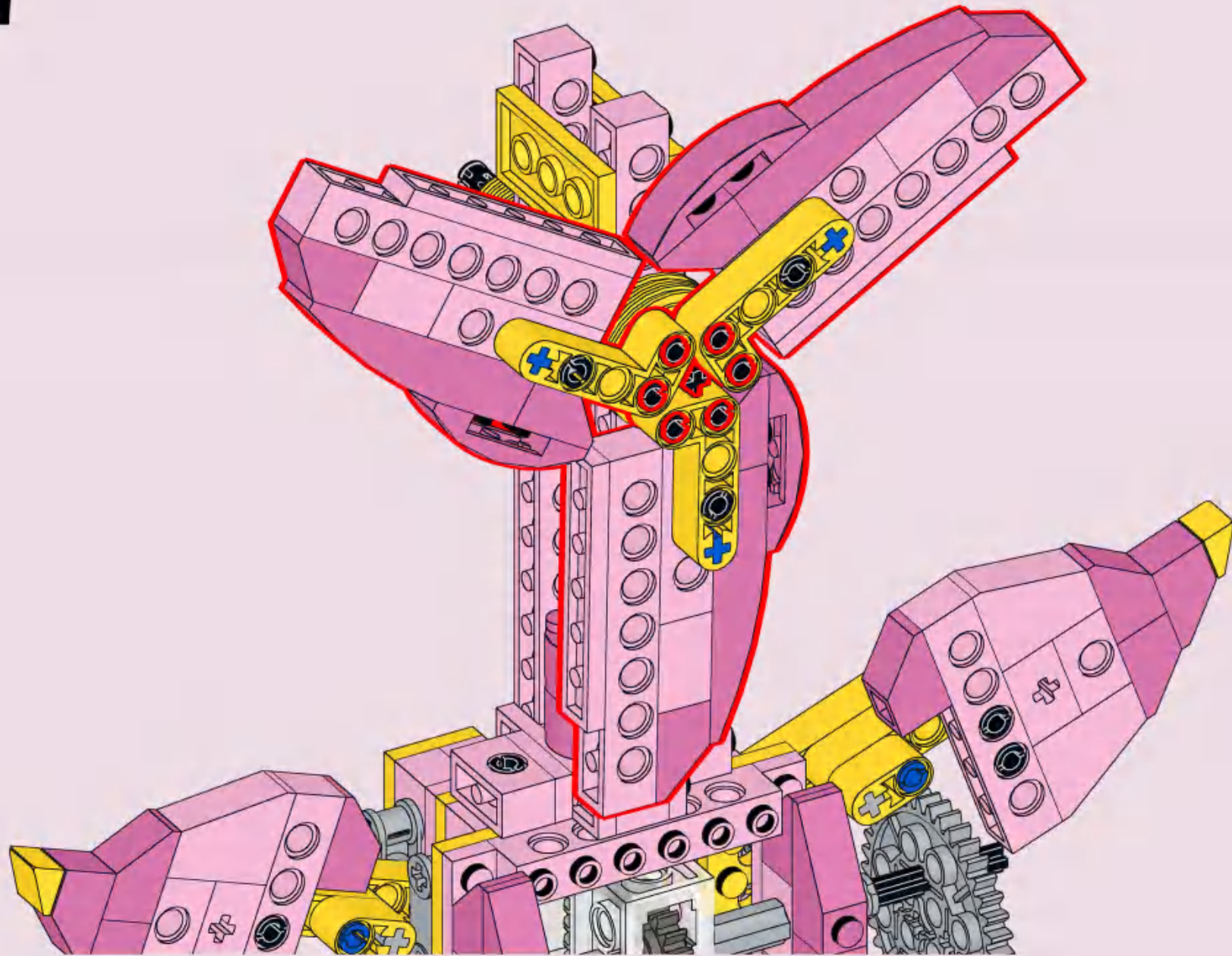
# 45



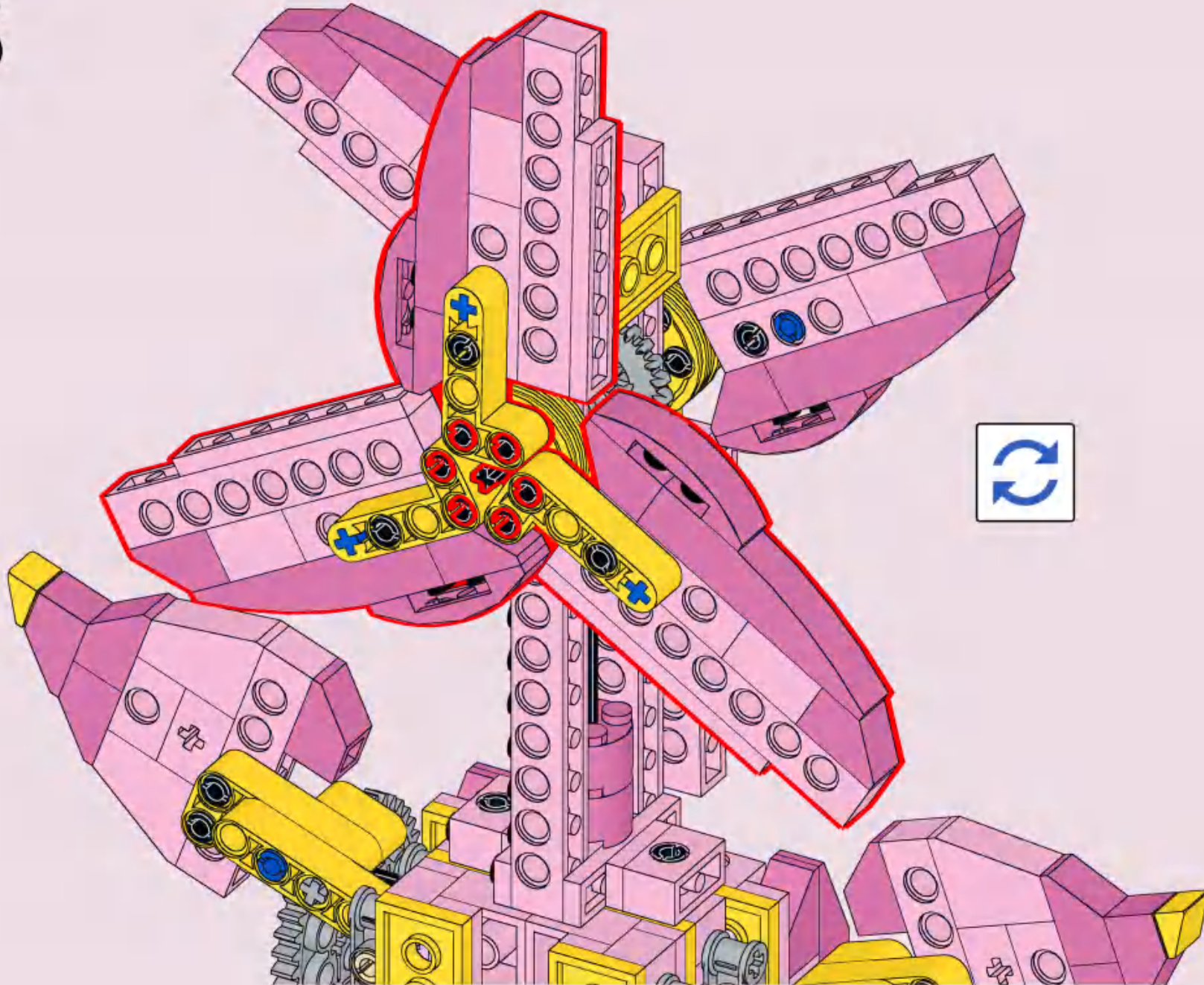
# 46



47



48



49

