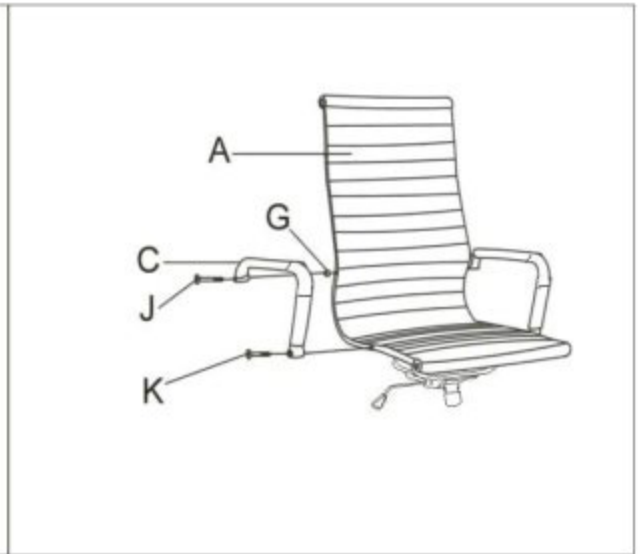
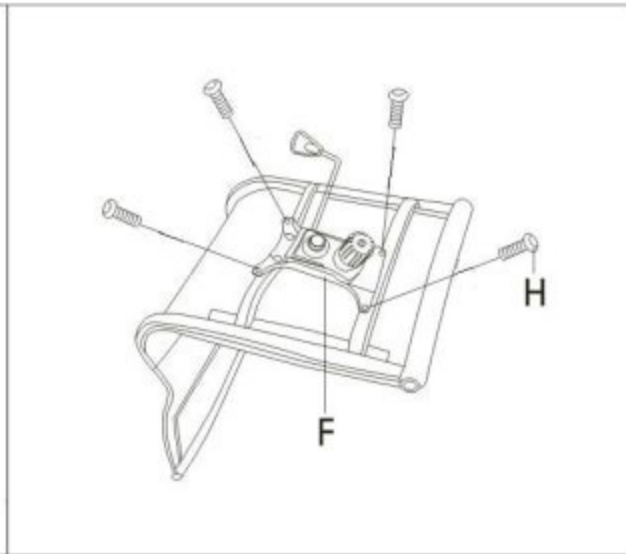
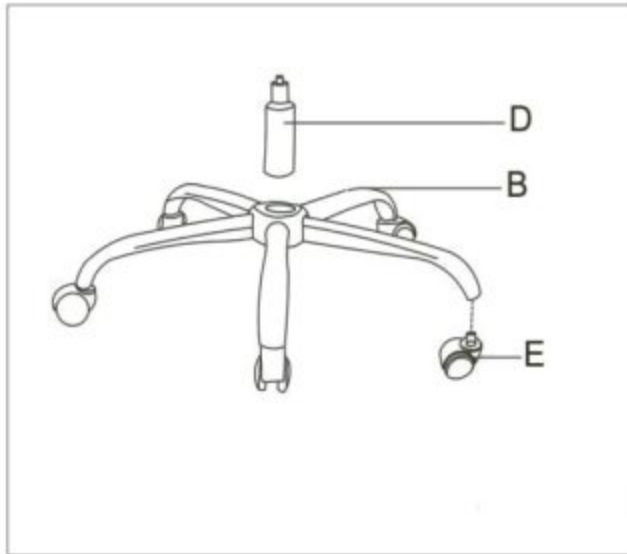


# ASSEMBLE INSTRUCTION



A		1	G		2
B		1	H	 M8x16mm	4
C		2			
D		1	J	 M8x55mm	2
E		5	K	 M8x45mm	2
F		1	L		1