

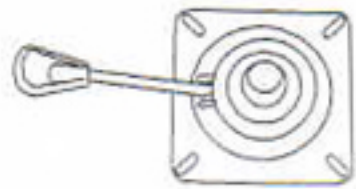
(1)X1



(5)X5



(2)X1



(6)X4



M6x20MM

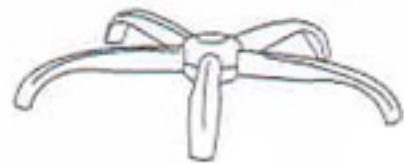
(3)X1



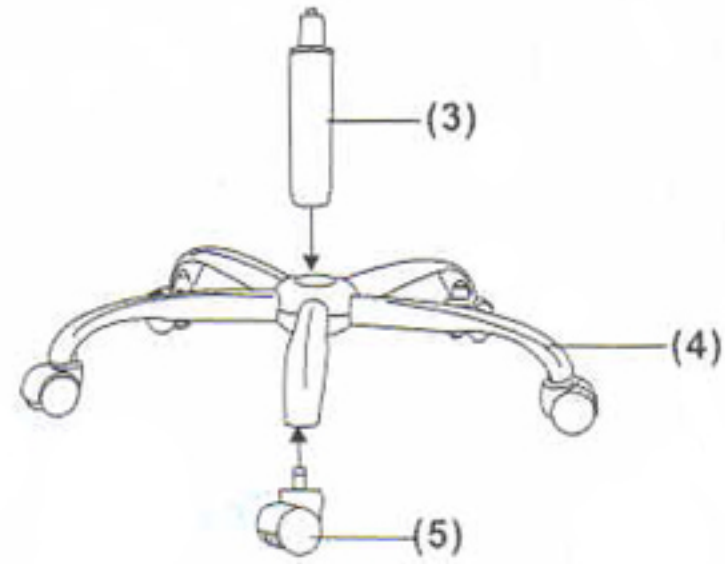
(7)X1



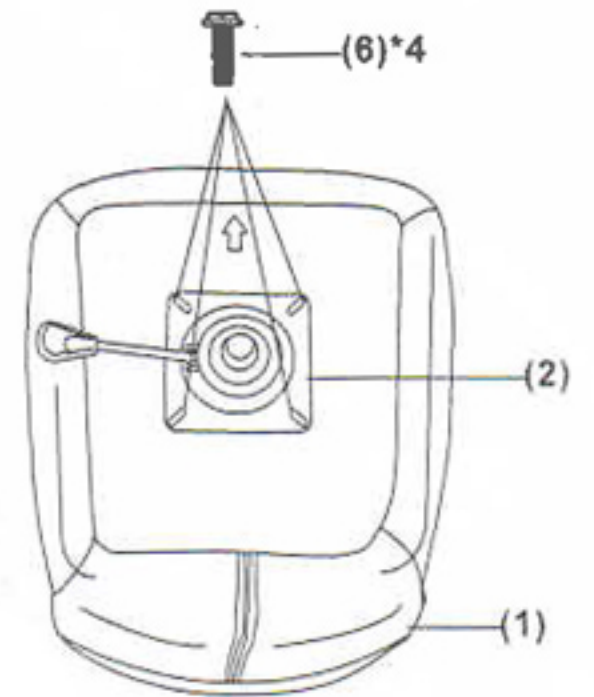
(4)X1



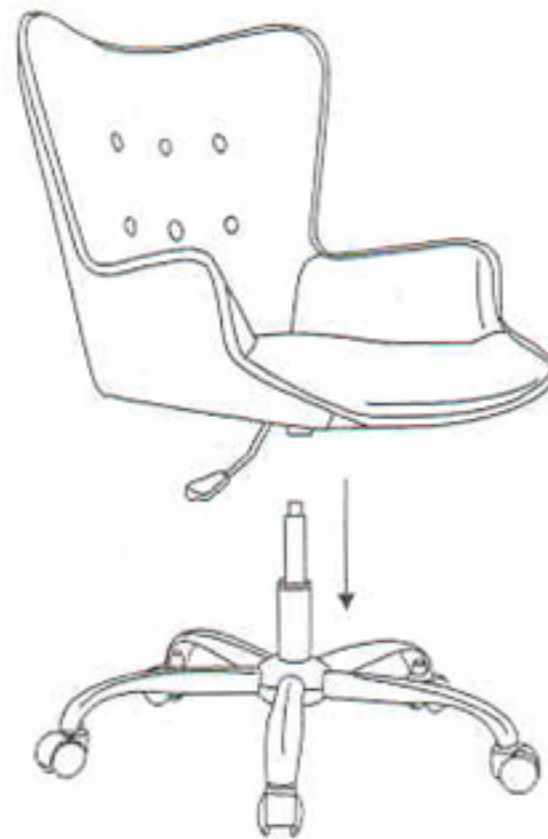
1



2



3



4

