

FOCUS FC



FOCUS FC



FOCUS R FC

Le informazioni contenute in questo documento sono state attentamente redatte e controllate. Tuttavia non è assunta alcuna responsabilità per eventuali inesattezze. Tutti i diritti sono riservati e questo documento non può essere copiato, fotocopiato, riprodotto per intero o in parte senza previo consenso scritto della D.T.S .

D.T.S si riserva il diritto di apportare senza preavviso cambiamenti e modifiche estetiche , funzionali o di design a ciascun proprio prodotto. D.T.S non assume alcuna responsabilità sull'uso o sull'applicazione dei prodotti o dei circuiti descritti.

The information contained in this publication has been carefully prepared and checked. However, no responsibility will be taken for any errors. All rights are reserved and this document cannot be copied, photocopied or reproduced, in part or completely, without prior written consent from D.T.S. D.T.S. reserves the right to make any aesthetic, functional or design modifications to any of its products without prior notice. D.T.S. assumes no responsibility for the use or application of the products or circuits described herein.

Les informations contenues dans le présent manuel ont été rédigées et contrôlées avec le plus grand soin. Nous déclinons toutefois toute responsabilité en cas d'éventuelles inexactitudes. Tous droits réservés. Ce document ne peut être copié, photocopié ou reproduit, dans sa totalité ou partiellement, sans le consentement préalable de D.T.S.

D.T.S. se réserve le droit d'apporter toutes modifications et améliorations esthétiques, fonctionnelles ou de design, sans préavis, à chacun de ses produits. D.T.S. décline toute responsabilité sur l'utilisation ou sur l'application des produits ou des circuits décrits.

Las informaciones contenidas en este documento han sido cuidadosamente redactadas y controladas. Con todo, no se asume ninguna responsabilidad por eventuales inexactitudes. Todos los derechos han sido reservados y este documento no puede ser copiado, fotocopiado o reproducido, total o parcialmente, sin previa autorización escrita de D.T.S.

D.T.S. se reserva el derecho a aportar sin previo aviso cambios y modificaciones de carácter estético, funcional o de diseño a cada producto suyo. D.T.S. no se asume responsabilidad de ningún tipo sobre la utilización o sobre la aplicación de los productos o de los circuitos descritos.

TECHNICAL SPECIFICATIONS

DTS Product Codes:

03.LCB001E20FC25	FOCUS FC Medium flood lenses
03.LCB001E20FC40	FOCUS FC Wide flood lenses
03.LCT001E99FC25	FOCUS R FC Medium flood lenses
03.LCT001E99FC40	FOCUS R FC Wide flood lenses

LED technology

3 x FULL RGBW LEDs
Lumens: 1288 @ 700mA
LEDs lifespan: 50.000 hours (70% lumen output)

Optical group

2 lenses sets available: Medium flood and Wide flood

Control

DMX 512 / RDM / Art-Net (DRIVENET 416, 832 or 1664 PSU is required)

IP protection degree

IP65

Construction

FOCUS FC and FOCUS R FC are made on aluminium.
FOCUS FC is fitted with an adjustable bracket.
FOCUS R FC is fitted with a round flange for recessed installation.

Power supply

DRIVENET 416 or 832 PSU (full-range 100-240V 50-60 Hz)
DRIVENET 1664 PSU (range 180-240V 50-60 Hz)

Power consumption

Max 30W @ 700mA

Connections

End-stripped 8 poles cable (90 cm length)

Operating temperature

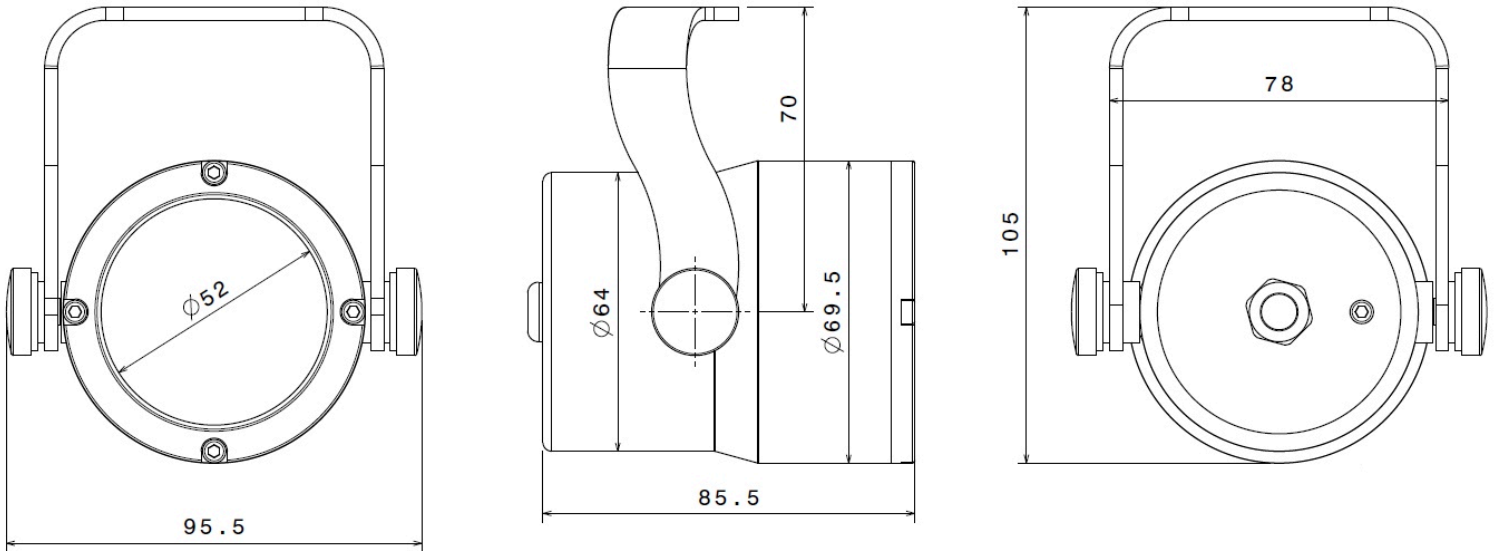
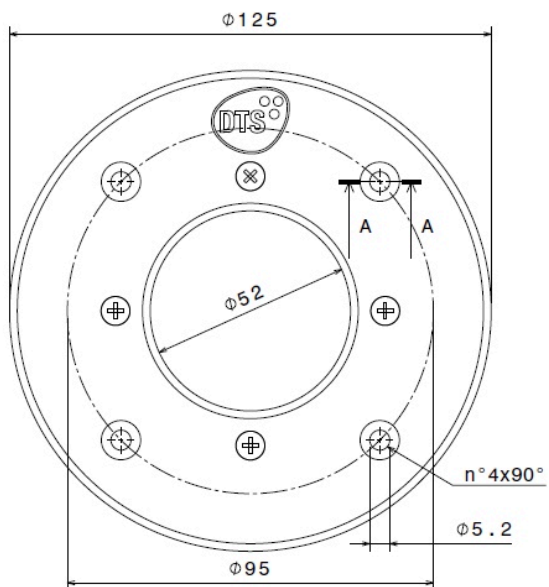
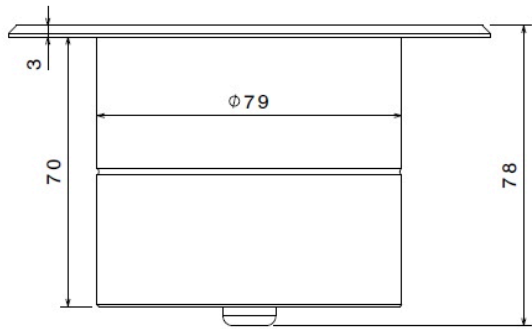
-10° / 40°C

Weight

FOCUS FC: 0,6 Kg
FOCUS R FC: 1 Kg

ACCESSORIES

- DRIVENET 416 PSU (Code 03.LA.196)
- DRIVENET 832 PSU (Code 03.LA.177)
- DRIVENET 1664 PSU (Code 03.LA.198)
- T-BOX IP20 3 OUTS Screw terminals (Code 03.LA.131)
- T-BOX IP56 3 OUTS Screw terminals (Code 03.LA.131.IP56)
- Outercase IP20 for FOCUS R (Code 03.LA.084)

DIMENSIONS**FOCUS FC****FOCUS R FC**

IMPORTANT SAFETY INFORMATION

Fire prevention:

It is permissible to place the unit on normally flammable surfaces.

Suitable for mounting on normally flammable materials surfaces greater than 200°C with some combustion time lag.

Prevention of electric shock:

Class II LED product according to standard EN 60598-1.

Safety:

Risk group 2 product according to EN 62471.

CAUTION. Do not look directly into the light output. May be harmful to the eyes and skin.

Do not stare at the operating light source.

The unit is not for household use and must be installed by a qualified electrician or experienced person.

LEDs are not replaceable.

The external surface of the unit may exceed 50°C, never handle the unit until at least 5 minutes have elapsed since the unit was turned off.

Never install the unit in an enclosed area lacking sufficient air flow.

The ambient temperature should not exceed 40°C and should not be lower than -10°C.

Waste Electrical and Electronic Equipment (WEEE) directive:

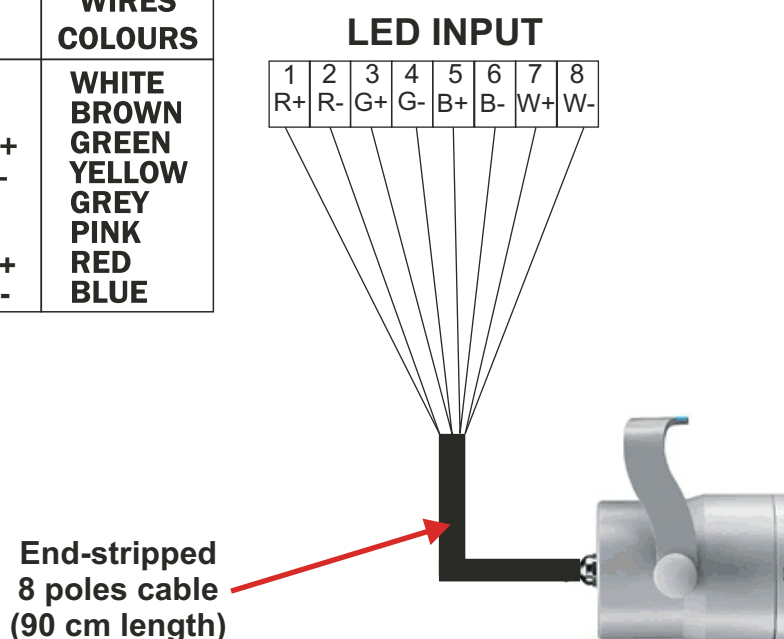
The machine, accessories and packaging should be sorted for environmental-friendly recycling.

For EC countries: according to the European Directive 2012/19/EC for Waste Electrical and Electronic Equipment and its implementation into national right, luminaires that are no longer usable must be collected separately and disposed of in an environmentally correct manner.

CONNECTIONS

FOCUS FC is provided with an end-stripped 8 poles cable (90 cm length).

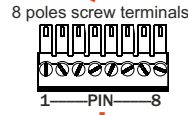
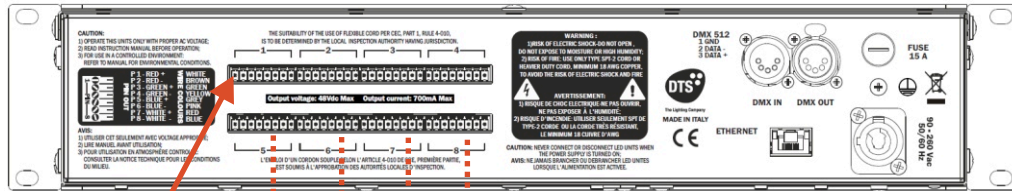
CONNECTION		
PIN OUT	LED	WIRES COLOURS
PIN 1	RED +	WHITE
PIN 2	RED -	BROWN
PIN 3	GREEN +	GREEN
PIN 4	GREEN -	YELLOW
PIN 5	BLUE +	GREY
PIN 6	BLUE -	PINK
PIN 7	WHITE +	RED
PIN 8	WHITE -	BLUE



The maximum distance between DRIVENET PSU and the unit should not exceed 100 meters.

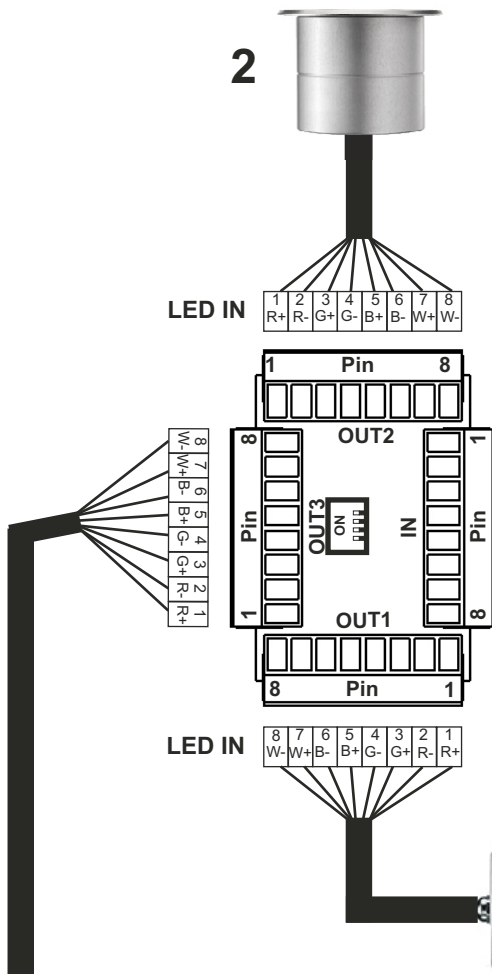
CONNECTION DIAGRAM

DRIVENET 832 PSU (Code 03.LA.177)

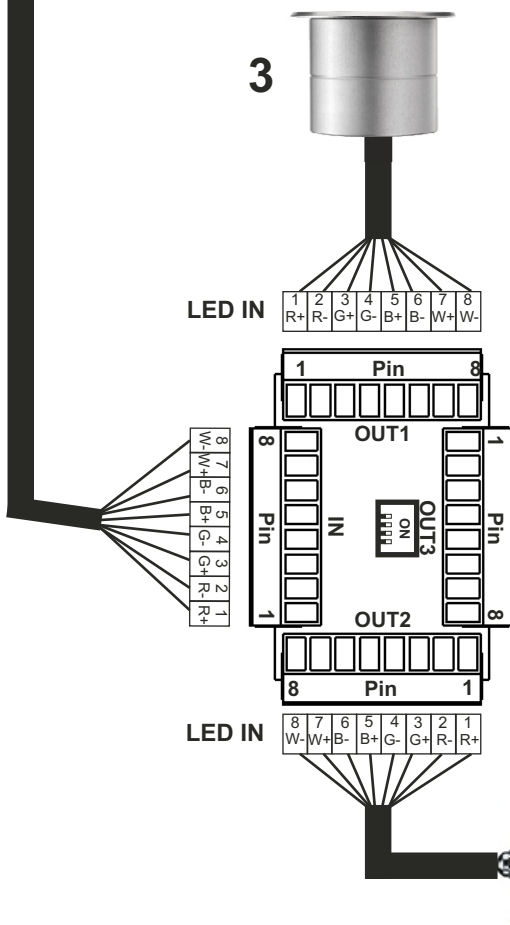
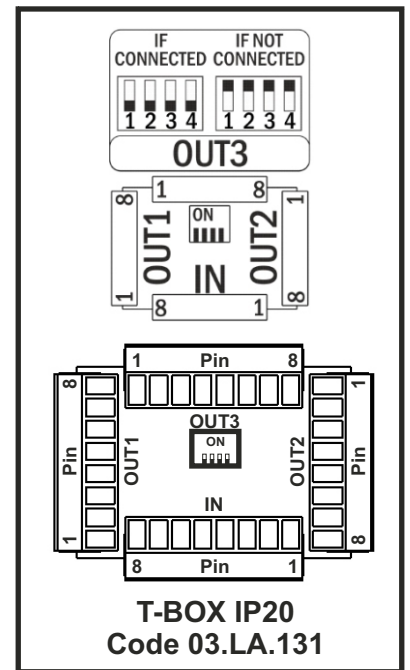


LEDs OUT 8
LEDs OUT 7
LEDs OUT 6
LEDs OUT 5


CONNECTION		
PIN OUT	LED	WIRES COLOURS
PIN 1	RED +	WHITE
PIN 2	RED -	BROWN
PIN 3	GREEN +	GREEN
PIN 4	GREEN -	YELLOW
PIN 5	BLUE +	GREY
PIN 6	BLUE -	PINK
PIN 7	WHITE +	RED
PIN 8	WHITE -	BLUE



1



4

ATTENTION:
TO CLOSE THE LINE THE DIP SWITCH OF THE OUT 3 NOT USED MUST BE SET TO ON ().

The maximum number of FOCUS FC connectable to each output of DRIVENET 832 PSU is 4 pcs.

Never plug the cable coming from the PSU into OUT 1, OUT 2 or OUT 3 of the T-BOX because a wrong connection can seriously damage the unit or the PSU.

Never plug in a new FOCUS FC when the PSU is turned on.

The maximum distance between DRIVENET PSU and the unit should not exceed 100 meters.

NOTES

PROUDLY
MADE IN ITALY



DTS products are designed
and manufactured at the
DTS plants in Italy



ISO 9001:2008

DTS quality system is certified
to the ISO 9001:2008 standard

D.T.S. Illuminazione s.r.l - Via Fagnano Selve 12-14
47843 Misano Adriatico (RN) Italy
Tel.: +39 0541 611131 Fax +39 0541 611111
Info@dts-lighting.it www.dts-lighting.it



05171090