



Engineering Data Sheet

A 118A

Powered 18-inch subwoofer

Features:

- EVS-18K 18-inch Woofer
- 123 dB max. SPL
- 400 W Class-D Amplifier
- Integrated DSP



Wir weisen ausdrücklich darauf hin, dass bei gehängten Lautsprecherboxen die einschlägigen Sicherheitsbestimmungen zu beachten sind. Es muss unbedingt qualifizierte Fachberatung in Anspruch genommen werden!

We expressly point out that the relevant safety regulations must be observed for "flying" loudspeaker systems. It is imperative that qualified expert advice is sought.

WARNING:

**THIS LOUDSPEAKER SYSTEM CAN PERMANENTLY DAMAGE HEARING!
USE EXTREME CARE WHEN SETTING SOUND PRESSURE LEVELS!**

DANGER:

CONSULT A CERTIFIED STRUCTURAL ENGINEER BEFORE ANY ATTEMPT TO SUSPEND THIS LOUDSPEAKER! LOUDSPEAKER CAN FALL FROM IMPROPER SUSPENSION, RESULTING IN SEVERE INJURY AND DAMAGE OF PROPERTY. DO NOT SUSPEND OR MOUNT ANY OTHER PRODUCT OR DEVICE FROM THIS LOUDSPEAKER ENCLOSURE! USE GRADE 5 HARDWARE OR BETTER ONLY!

Order No.	230 V: F01U270190 (A118A-230V) 120 V: F01U275164 (A118A-120V)
Cabinet	Powered subwoofer 1 x 18", vented design
Maximum Amplifier Output Capability, IHF-A	400 W
Amplifier Power RMS	305 W
Output Stage Topology, amplifier	Class D
Max. SPL 1 m / calc.	123 dB
Frequency Range (-10 dB)	40 Hz to 130 Hz
Frequency Response (-3 dB)	50 Hz to 100 Hz
Nominal Coverage Angle	Omnidirectional
Audio Input	XLR and 1/4" TRS combination
Audio Output (LINK OUTPUT)	XLR, balanced
Digital Signal Processing	28/56-Bit, 48 kHz
Crossover Frequency	100 Hz
Switchable Phase (Polarity)	0°, 180°
LF Transducer	1 x EVS-18K, 457 mm (18"), F01U250964
Power Requirement	230 V: 220 to 240 V AC, 50 to 60 Hz, 0.6 A, IEC inlet 120 V: 100 to 120 V AC, 50 to 60 Hz, 1.0 A, IEC inlet
Safety Class	I
Operating Temperature Range	0 °C to 40 °C
Product Dimensions (W x H x D)	661 x 507 x 574 mm
Shipping Dimensions (W x H x D)	793 x 575 x 642 mm
Net Weight	31.3 kg
Shipping Weight	40.1 kg
Enclosure Material	15-mm Multi-ply wood
Finish	Textured paint
Grille	18-GA steel with black powder coat
Handles	1
Optional Accessories	
Dust Cover	SH-118A: F01U270397
Recommended extensions	
A 112A Powered two-way full-range speaker, 12"	230 V: F01U270188 120 V: F01U275161
A 115A Powered two-way full-range speaker, 15"	230 V: F01U270189 120 V: F01U275163

Description

Clear, powerful and musical DYNACORD loudspeakers command the stage at high-profile venues and major events worldwide. Born stage-ready, the A-Line includes powered and passive models that all feature DYNACORD-engineered components in solid wood cabinets. Wherever performance matters, A-Line is serious gear for serious sound.

Illustration 1: Dimensions

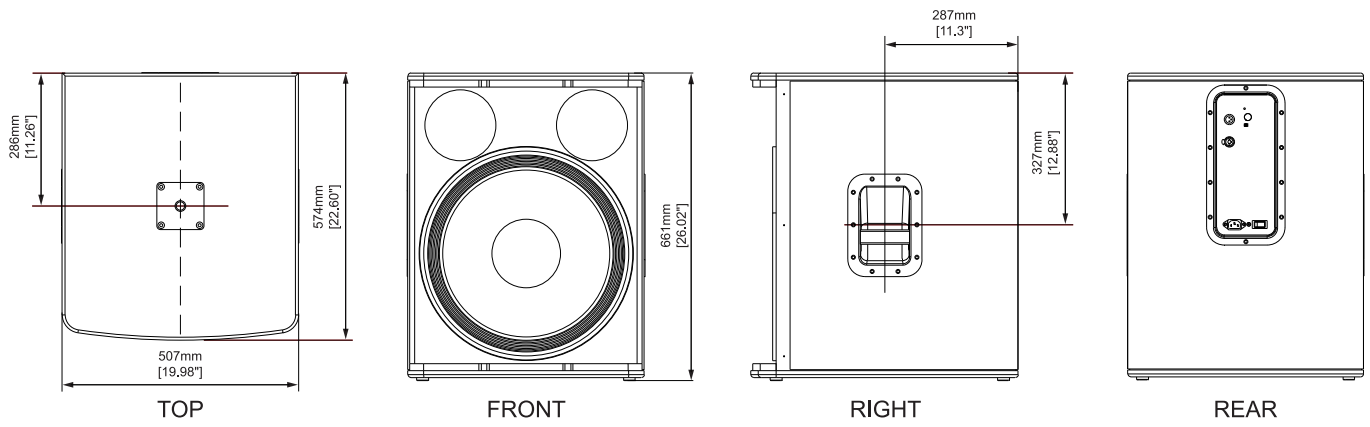


Illustration 2: Frequency Response

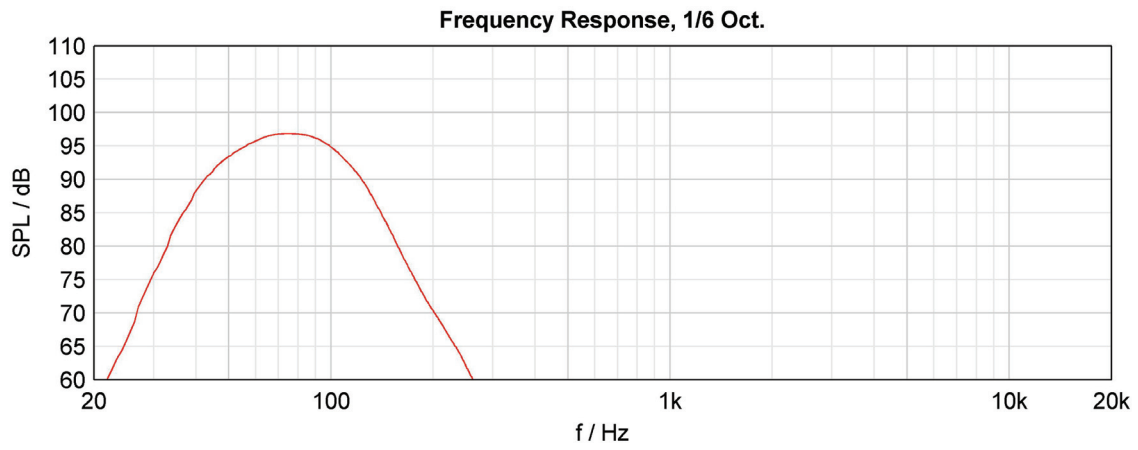


Illustration 3: Circuit diagram

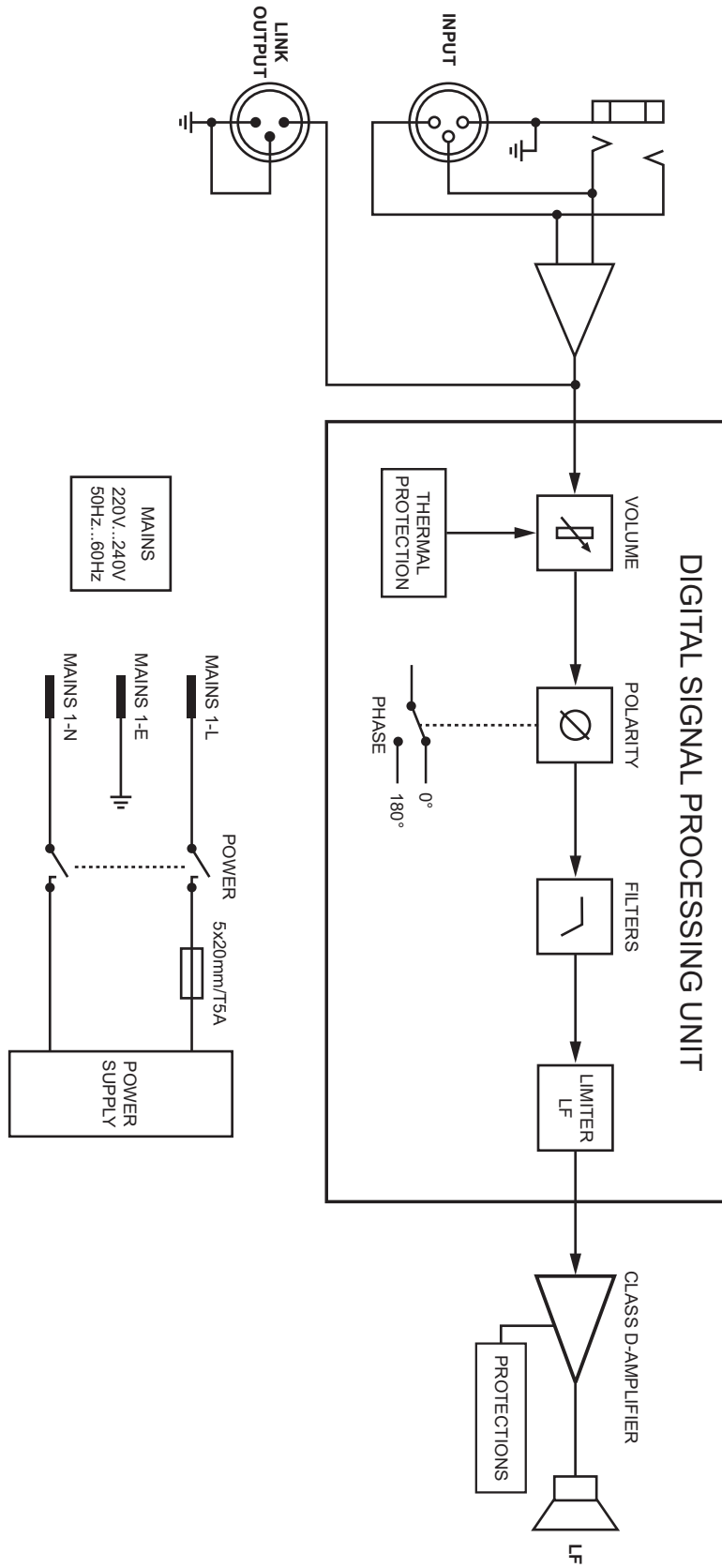
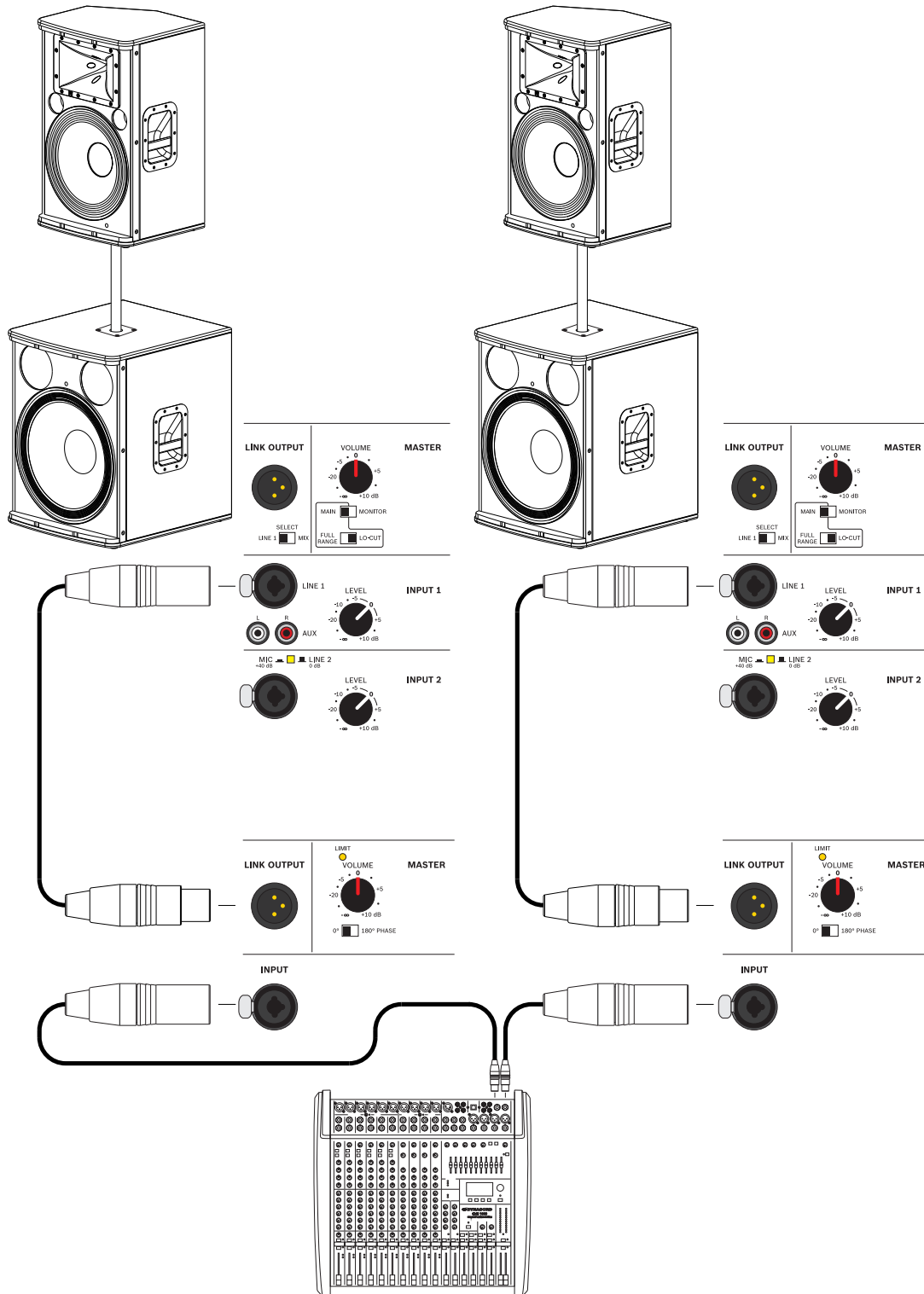


Illustration 4: Stacking full-range systems with subwoofers (Dual A 112A or A 115A with LO-CUT setting selected, dual A 118A subwoofers)



12000 Portland Avenue South, Burnsville, MN 55337, USA
 Phone: +1 952/844-4051, Fax: +1 952/884-0043

www.dynacord.com

© Bosch Communications Systems 10/2012
Part Number F01U270190 Vs 02

Europe, Africa, and Middle East only. For customer orders, contact Customer Service at:
+49 9421-706 0 Fax: +49 9421-706 265

Asia & Pacific only. For customer orders, contact Customer Service at:
+65 6571 2534 Fax: +65 6571 2699

For technical assistance, contact Technical Support at: **+49 9421-706 0**

Specifications subject to change without notice.