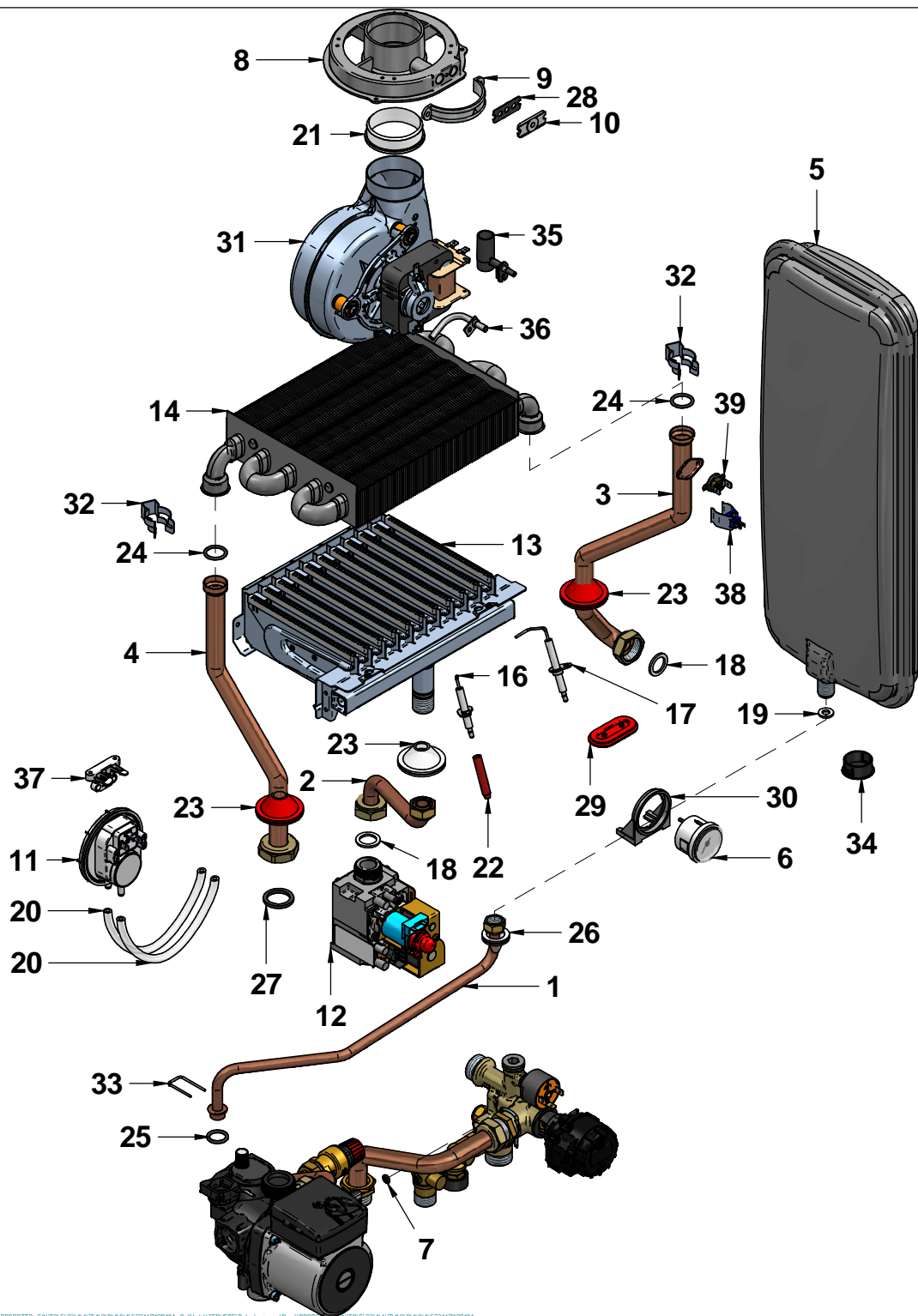


N°	Code	Description	Qty
1	12-00232	FLUE HOOD	1
2	15-00064	COMBUSTION CHAMBER FRONT PANEL	1
3	15-00090	ROOM-SEALED CHAMBER BACK PANEL	1
4	15-00147	FRAME SUPPORT RIGHT SIDE	1
5	15-00148	FRAME SUPPORT LEFT SIDE	1
6	15-00150	ROOM-SEALED CHAMBER TOP	1
7	15-00151	EXPANSION VESSEL TOP BRACKET	1
8	15-00152	CASING LEFT SIDE PANEL	1
9	15-00210	COMBUSTION CHAMBER RIGHT SIDEPANEL	1
10	15-00211	COMBUSTION CHAMBER LEFT SIDEPANEL	1
11	15-00264	FLUE HOOD BACK PIECERBS23	1
12	15-00294	EXPANSION VESSEL BOTTOM BRACKET	1
13	15-00804	CYLINDER PIPES SUPPORT BRACKET	1
14	15-01240	CONTROL PANEL LEFT SIDE BRACKET - RSR24/RBS24	1
15	15-01241	CONTROL PANEL RIGHT SIDE BRACKET	1
16	15-01400	BOTTOM BOILER PLATE	1
17	15-01421	ROOM-SEALED CHAMBER BOTTOM PLATE	1
18	15-01800	FAN FIXING PLATE	1
19	15-02149	CASING RIGHT SIDE PANEL	1
20	30-00011	CERAMIC FIBRE FRONT SIDE	1
21	30-00014	CERAMIC FIBRE BACK SIDE	1
22	30-00025	CERAMIC FIBRE DX/SX	2
23	34542LP	FLUE HOOD LEFT DEFLECTOR	1
24	35-00156	CASING FRONT PANEL	1
25	43212LA	RIGHT/LEFT PANEL INSULATION	2
26	43213LA	ALUMINIUM ADHESIVE RIGHT/LEFTSIDE PANEL 300X220	1
27	43283LA	INSULATION FRONT PANEL M24395x520x10sp	1
28	62011LP	HOLES CLOSING PLATE Ø100	2
29	74223LP	WALL HANGING BRACKET MICROSLIM	1
30	74266LP	CASING WALL HANGING BRACKETM24-RK25/34OV	1


Disegnatore	Rev.	data revisione	Autore revisione	Descrizione revisione
crislian.pazzaglini				
Modificato				
crislian.pazzaglini				
Data di creazione	Scala	Materiale	Sp.	Peso (Kg)
13/04/2021	17			28.049
Note				
Descrizione completa PREMIUM 24B - MET - MIAB2013 - R7 - B3 - RS 24/B c/GRUNDFOS				
Codice			Revisione	
G231A712P101			00	



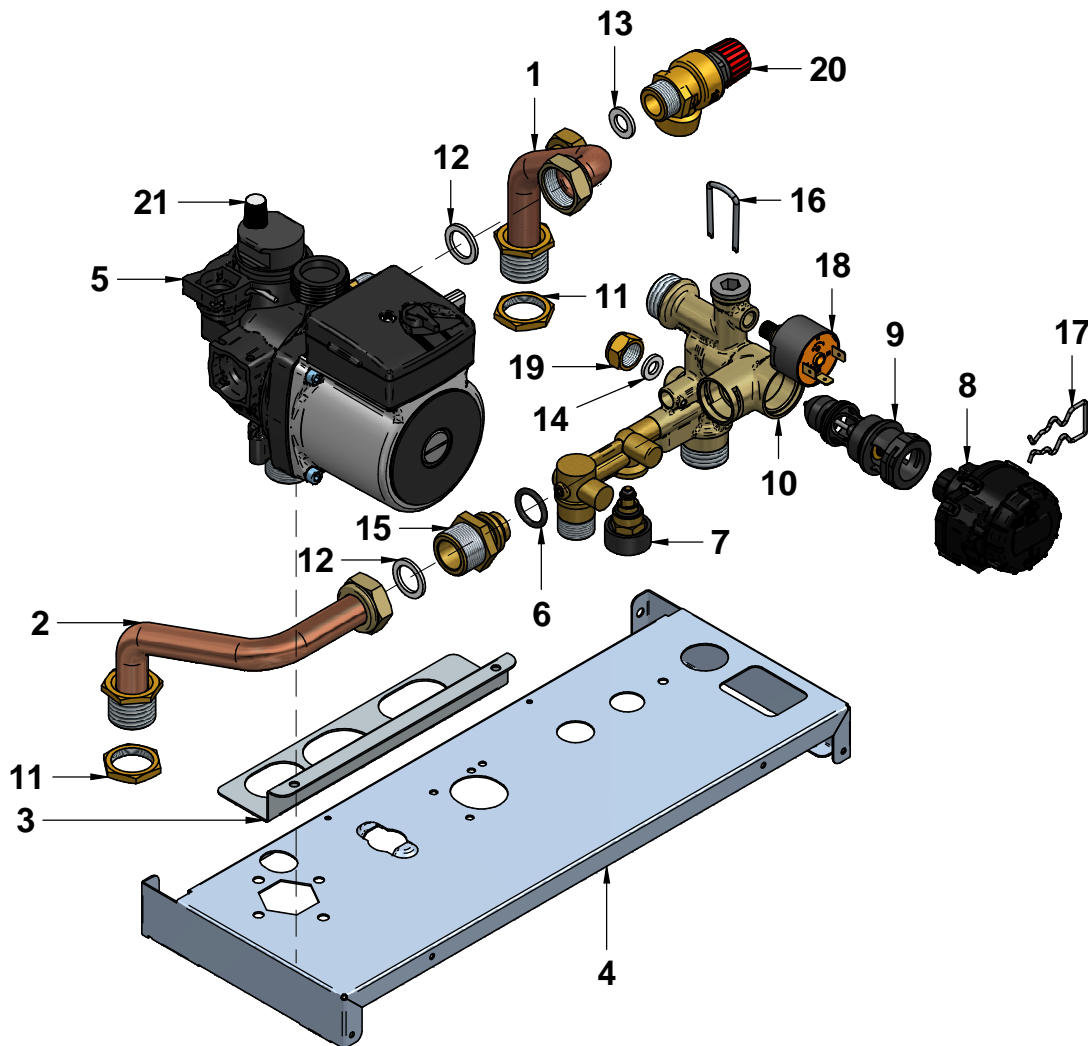


N°	Code	Description	Qty
1	12-00918	PIPE Ø10 EXPANSION VESSEL	1
2	12-01012	PIPE Ø14 GAS INLET	1
3	12-02886	PIPE Ø18 HTG FLOW	1
4	12-02940	PIPE Ø18 HTG RETURN	1
5	25-00283	EXPANSION VESSEL 7 LT. 3/8"	1
6	25-00363	WATER PRESSURE GAUGE-QUICK CONNECTION	1
7	25-00404	OR 5,00x2 EPDM	1
8	27066LA	FLUE INSPECTION	1
9	27067LA	FIXING CLAMP FLUE INSPECTION	1
10	27068LA	PLATE FOR FLUE INSPECTION CLOSURE	1
11	30-00023	AIR PRESSURE SWITCH 2.14-1.96	1
12	30-00035	SIT GAS VALVE 845 113 230V	1
13	30-00052	BURNER 11R 1.35 pitch 19 NAT.GAS	1
14	30-00084	HEAT EXCHANGER	1
15	31333LA	IGNITION ELECTRODE EARTH CABLE	1
16	35007LA	IGNITION ELECTRODE E. 0774527	1
17	35009LA	IONISATION ELECTRODE EL.0774929	1
18	43001LA	WASHER Ø 23.5x17x2 3/4" -AFM34	2
19	43003LA	WASHER Ø15x8x2 3/8" -AFM34	1
20	43018LA	SYLICON/TRANSPARENT PIPE Ø8x4	2
21	43031LA	EXHAUST FAN D.54 RUBBER COLLAR	1
22	43040LA	ELECTRODE RED RUBBER CAP 0619/36	1
23	43047LA	GAS VALVE WHITE WASHER - CONETYPE M24 - 99100016	3
24	43118LA	MAIN HEAT EXCHANGER O-RING	2
25	43150LA	EPDM O-RING 14X30 FOR BRASS CONNECTIONS M.PLEX	1
26	43154LA	HTG FLOW WHITE CONICAL WASHER	1
27	43208LA	WASHER 23x30x3sp EPDM 80sh 1"	1
28	43220LA	RUBBER WASHER EPDM FLUE INSPECTION	1
29	43352LA	FB12/1 SYLICON RED WASHER-OVAL	1
30	45-00084	WATER PRESSURE GAUGE FIXING PLATE	1
31	50-00011	EXHAUST FAN	1
32	54020LA	DUAL CIRC. EXCHANGER FIXING CLIP	2
33	55-00227	EXPANSION VESSEL PIPE FIXING CLIP	1
34	55-00237	CAP D.28 EXPANSION VESSEL CHARGING 7L.	1
35	57525LA	VENTURI NEGATIVE PRESSURE POINT 2008	1
36	57526LP	PRESSURE POINT MINI 24 FIME	1
37	59023LA	AIR PRESS.SWITCH FIXING CLIP - PLASTIC	1
38	73516LA	HTG CLIP SENSOR X PIPE 17/18mm BLUE	1
39	86006LA	SAFETY THERMOSTAT 95gr(ø).E.	1

Disegnatore	Rev.	data revisione	Autore revisione	Descrizione revisione
crislian.pazzagliani				
Modificato				
crislian.pazzagliani				
Data di creazione	Scala	Materiale	Sp.	Peso (Kg)
13/04/2021	14,5			28.049
Note				
Descrizione completa <b>PREMIUM 24B</b> - MET - MIAB2013 - R7 - B3 - RS 24/B c/GRUNDFOS				



Codice: **G231A712P101**  
 Revisione: **00**

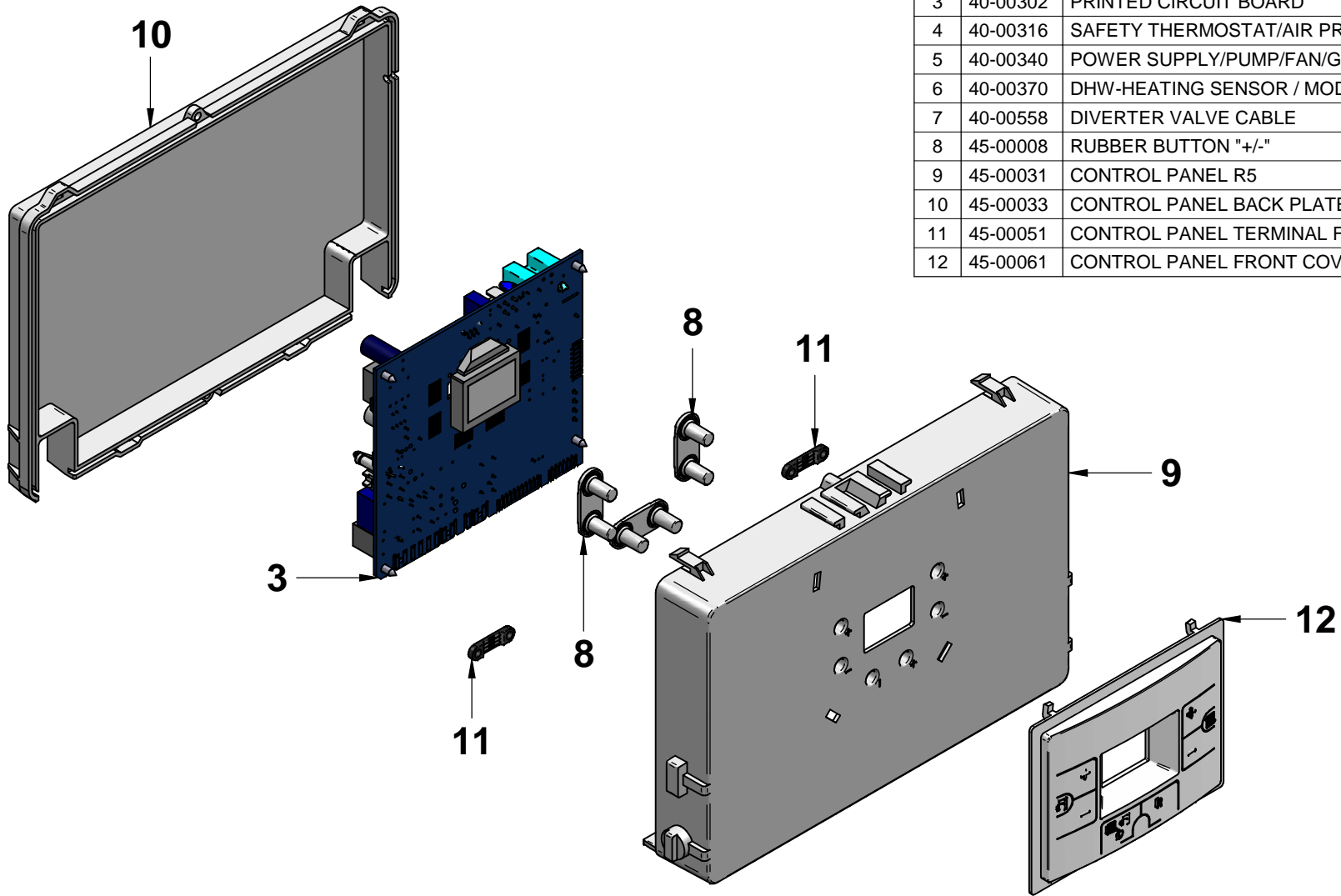


N°	Code	Description	Qty
1	12-01169	PIPE D.18 HTG RETURN CYLINDER	1
2	12-02874	PIPE Ø18 CYLINDER FLOW	1
3	15-00804	CYLINDER PIPES SUPPORT BRACKET	1
4	15-01400	BOTTOM BOILER PLATE	1
5	25-00261	PUMP AOKR GRUNDFOS UPSO15-50	1
6	25-00269	PUMP/PUMP CONNECTION BODY OR 18,64x3,53 EPDM	1
7	25-00491	FILLING TAP	1
8	25-00800	3-WAY VALVE ACTUATOR ELBI 230V	1
9	25-00844	3-WAY VALVE SHUTTER	1
10	25-00847	COLD WATER INLET/HTG FLOW CONNECTION	1
11	34002LA	BRASS BACKNUT 3/4" E.30x5	2
12	43001LA	WASHER Ø 23.5x17x2 3/4" -AFM34	2
13	43002LA	WASHER Ø 18.5x10.2x2 1/2" -AFM34	1
14	43003LA	WASHER Ø15x8x2 3/8" -AFM34	1
15	55-00191	NIPPLES 3/4" w/O-RING	1
16	55-00215	FIXING CLIP - STAINLESS STEEL	1
17	55-00704	3-WAY VALVE ACTUATOR FIXING CLIP	1
18	59015LA	WATER PRESSURE SWITCH PC5411 BRASS-54118N9000,2	1
19	89133LA	BRASS CAP 3/8" F E.19 Fi.15	1
20	96005LA	SAFETY VALVE 1/2" 3 bar	1
21	96030LA	SHUL AUTOMATIC AIR VENT VALVE 3/8"	1

Disegnatore	Rev.	data revisione	Autore revisione	Descrizione revisione
cristian.pazzaglini				
Modificato				
cristian.pazzaglini				
Data di creazione	Scala	Materiale	Sp.	Peso (Kg)
12/03/2021	13			3.274
Note				
Descrizione completa HYDRAULIC GROUP RS 24/B - R5/R7 - B3 - c/GRUNDFOS				
Codice			Revisione	
26-00681			00	



N°	Code	Description	Qty
1	40-00107	FRAME-PRINTED CIRCUIT BOARD CABLE	1
2	40-00299	LINK JUMPER CABLE	1
3	40-00302	PRINTED CIRCUIT BOARD	1
4	40-00316	SAFETY THERMOSTAT/AIR PRESS./WATER PRESS. SWITCH CABLE	1
5	40-00340	POWER SUPPLY/PUMP/FAN/GAS VALVE CABLE	1
6	40-00370	DHW-HEATING SENSOR / MODULATOR CABLE	1
7	40-00558	DIVERTER VALVE CABLE	1
8	45-00008	RUBBER BUTTON "+/-"	3
9	45-00031	CONTROL PANEL R5	1
10	45-00033	CONTROL PANEL BACK PLATE	1
11	45-00051	CONTROL PANEL TERMINAL FIXING CLAMP - R5	2
12	45-00061	CONTROL PANEL FRONT COVER	1



Disegnatore	Rev.	data revisione	Autore revisione	Descrizione revisione
cristian.pazzaglini				
Modificato				
cristian.pazzaglini				
Data di creazione	Scala	Materiale	Sp.	Peso (Kg)
13/04/2021	12			342
Note				
Descrizione completa CONTROL PANEL COMPLETE RS 24/B c/GRUNDFOSS - R7 BIANCO - B3				
Codice				Revisione
41-00424				00

