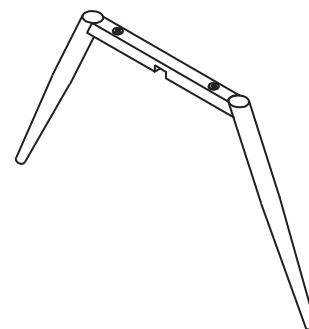
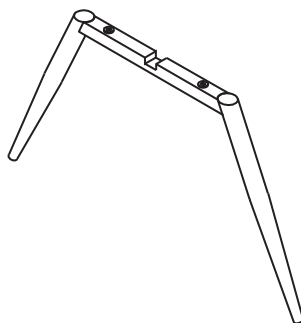
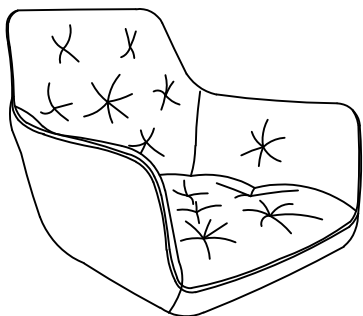


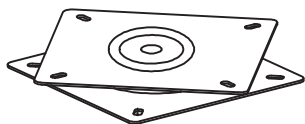
1

2

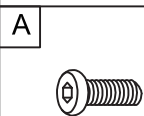
3



4

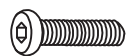


1	1 x
2	1 x
3	1 x
4	1 x



M6x16mm

9x



M6x25mm

3x



Ø18xØ6x1.5mm 8x



5MM

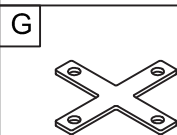
1x



Ø22xØ8x15mm 1x



Ø18xØ8x4mm 2x

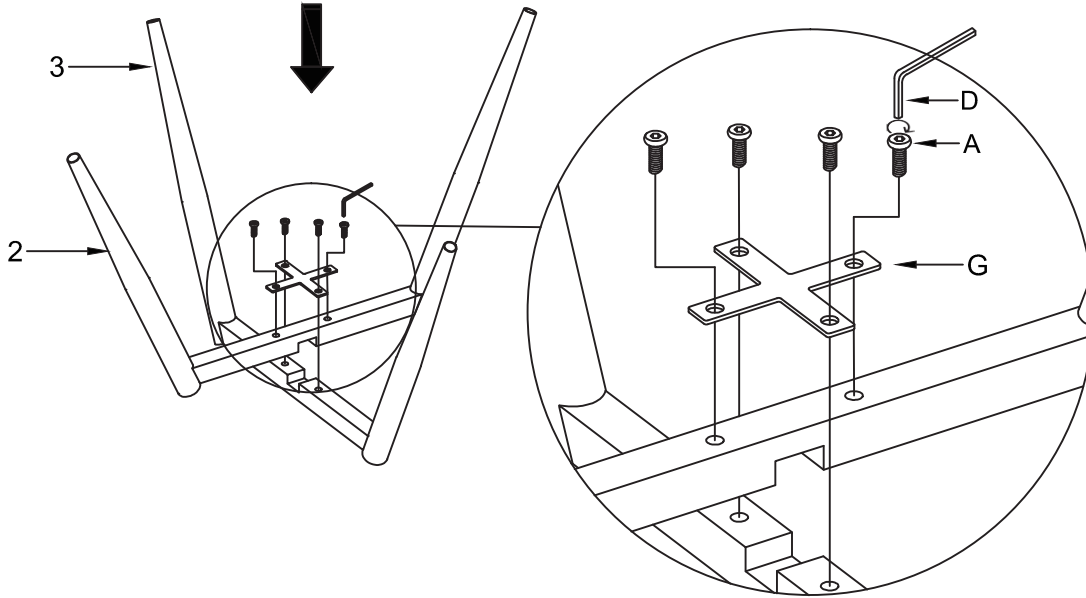


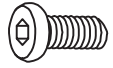

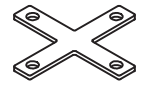

85x85x2mm

1x

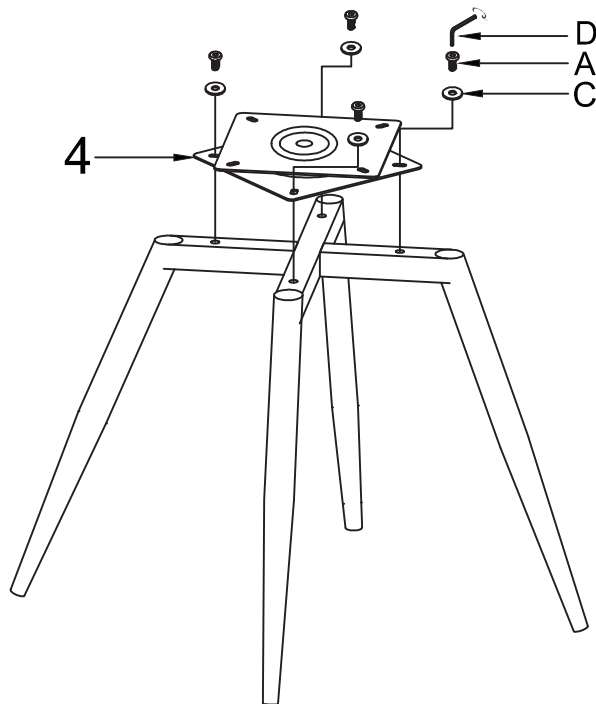
I.

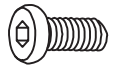



1



A	 M6x16mm 4x
D	 5MM 1x
G	 1x
	 75%

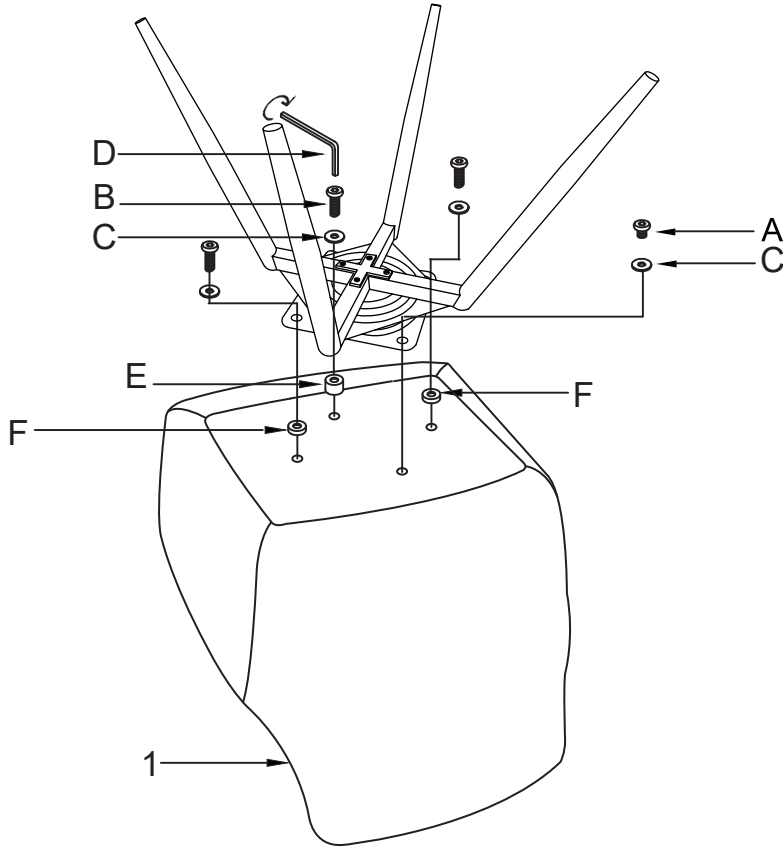
2

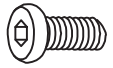








A	 M6x16mm 4x
C	 Ø18xØ6x1.5mm 4x
D	 5MM 1x
	 100%

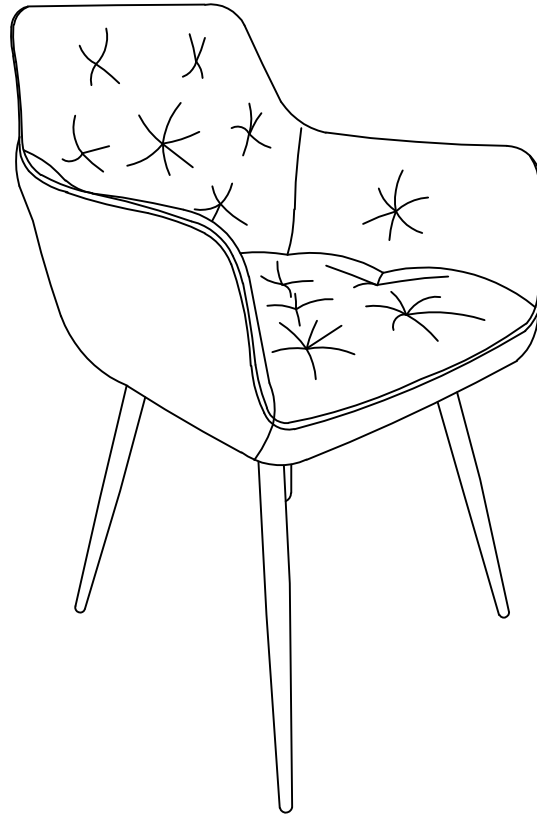
II.


3



A	 M6x16mm 1x
B	 M6x25mm 3x
C	 Ø18xØ6x1.5mm 4x
D	 5MM 1x
E	 Ø22xØ8x15mm 1x
F	 Ø18xØ8x4mm 2x
	

4



D	 5MM 1x
