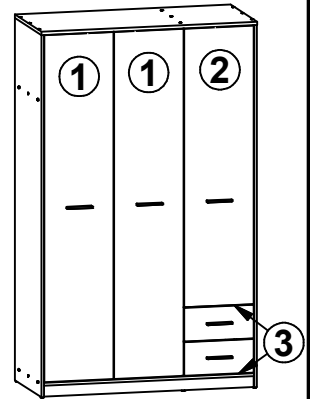


A

NEPO Plus

S435-SZF3D2S

A	B	C	D	A	B	C	D	
1	S435-0001	1864,	380,	3/3	11	S435-3023	375 514	2/3
2	S435-0021	1496,	380,	3/3	12	S435-4002	1151, 61,	2/3
3	S435-0022	380,	180,	3/3	13	S435-9009	1894, 396,	3/3
4	S435-1035	1946,	540,	1/3	14	S435-9010	349, 507,	2/3
5	S435-1036	1946	540	1/3	15	S435-9310	1894, 779,	3/3
6	S435-1037	1870	520	1/3	16	ZS7-5008	327 110	2/3
7	S435-2013	1182	541	2/3	17	S435-5051	500 110	2/3
8	S435-3020	1151,	537,	2/3	18	S435-5052	500 110	2/3
9	S435-3021	760,	519,	2/3	19	dr-371	371 22	2/3
10	S435-3022	376	519	2/3	20	dr-755	755 22	2/3

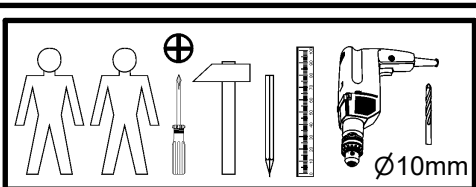
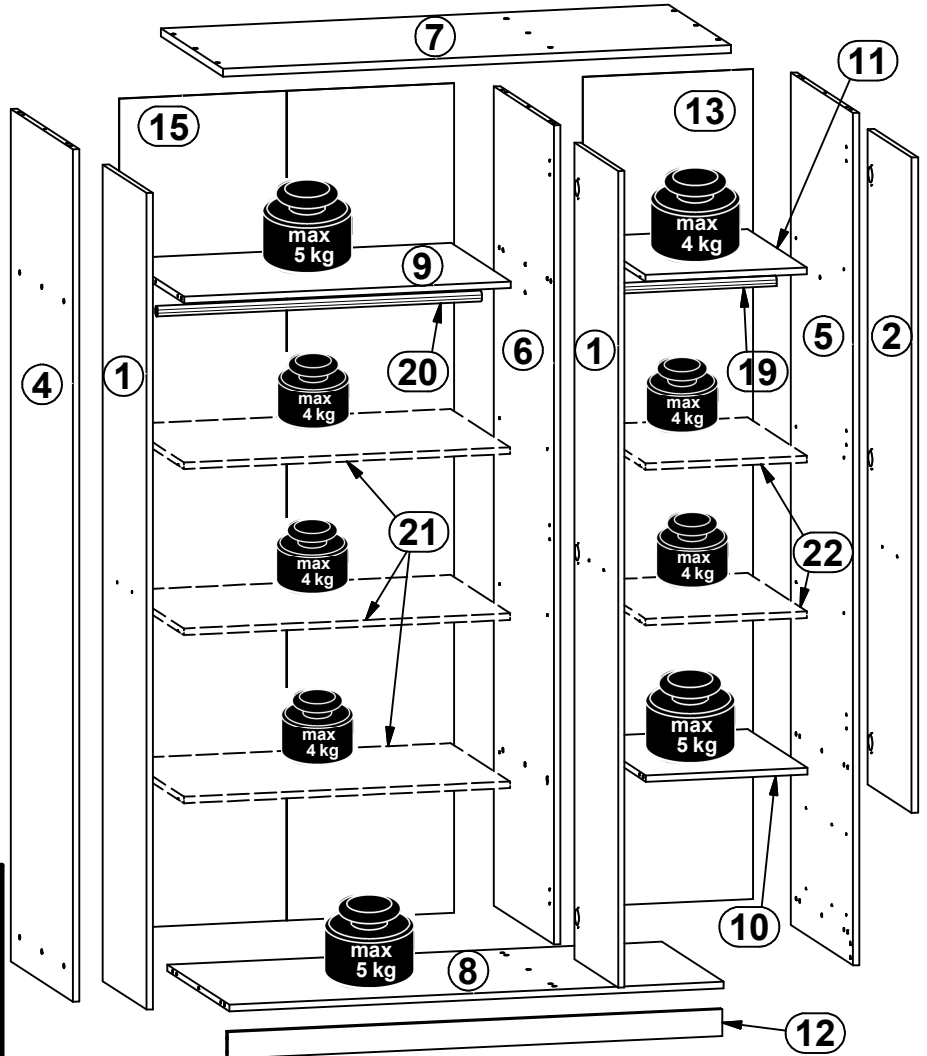
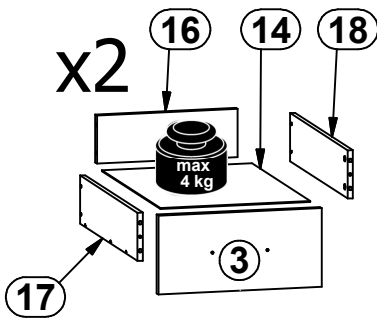


A §14

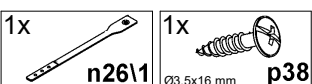
A	B	C	D	
21	S435-3024	759	514	1/1

B §14

A	B	C	D	
22	S435-3023	375	514	1/1



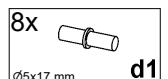
6x K18 Ø35 a172	3x K9 Ø35 a173	9x b42	5x 128 mm c310	4x Ø5x17 mm d1	30x Ø7x50 mm e1	12x Ø5x9 mm e19	12x Ø6x13 mm e3	26x Ø8x30 mm f1
8x Ø6,5x40 mm f25	4x Ø6x30 mm f9	5x k1	105x 1,4x20 mm l1	4x h=22mm n1	4x Ø3,5x13 mm p1	6x Ø3,5x16 mm p38	18x Ø3,5x15 mm p51	10x Ø4x25 mm p87
8x Ø12x10,5 mm #12 r15	8x r42	2x 500 mm w26\CL	2x 500 mm w26\CR	2x 500 mm w26\DL	2x 500 mm w26\DR	15x s1	1x 4 mm z1	



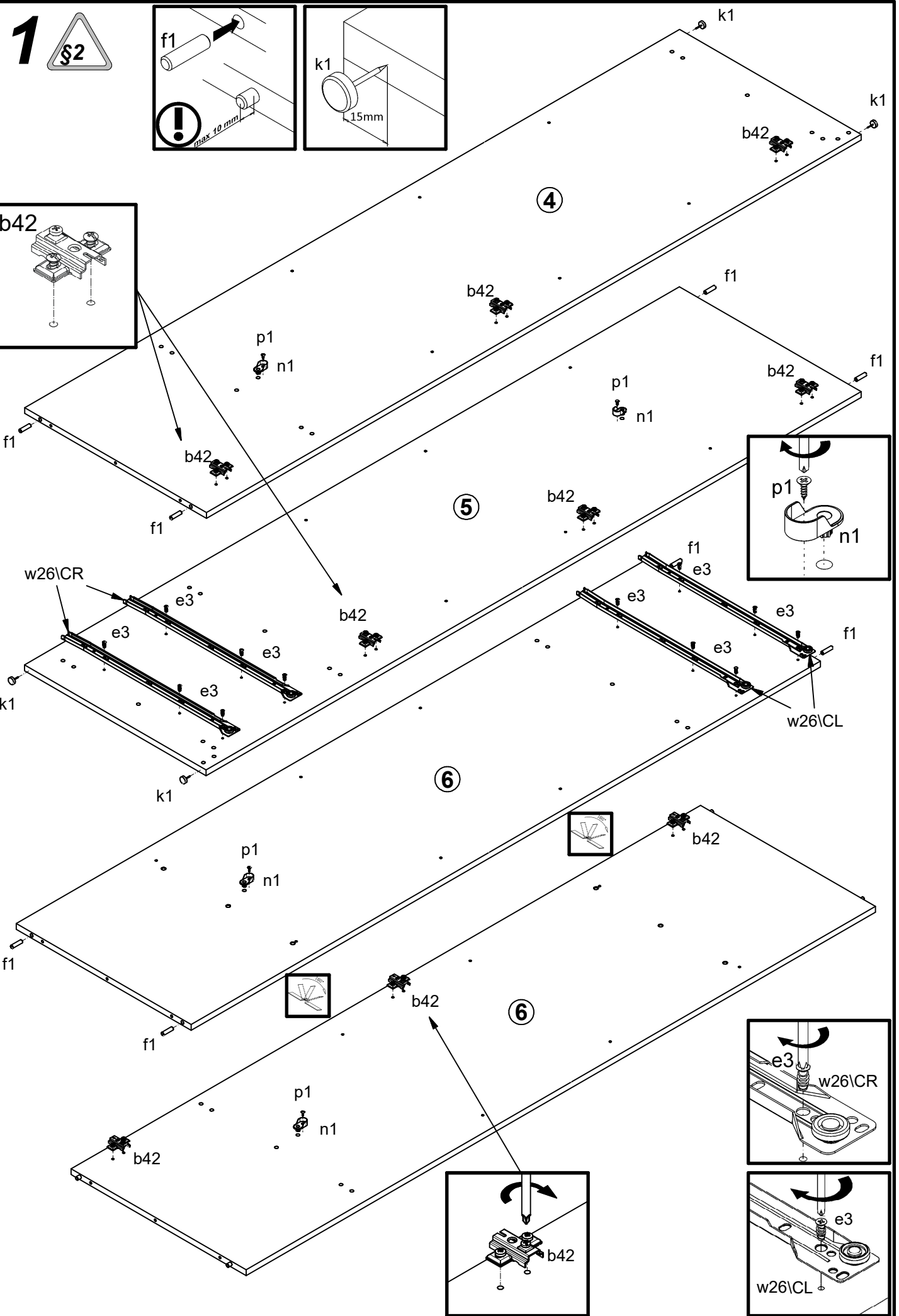
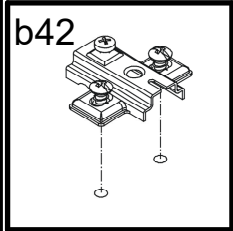
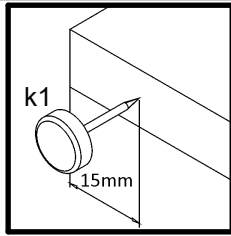
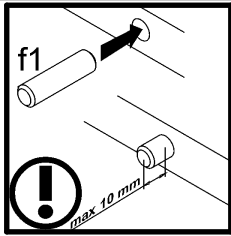
A

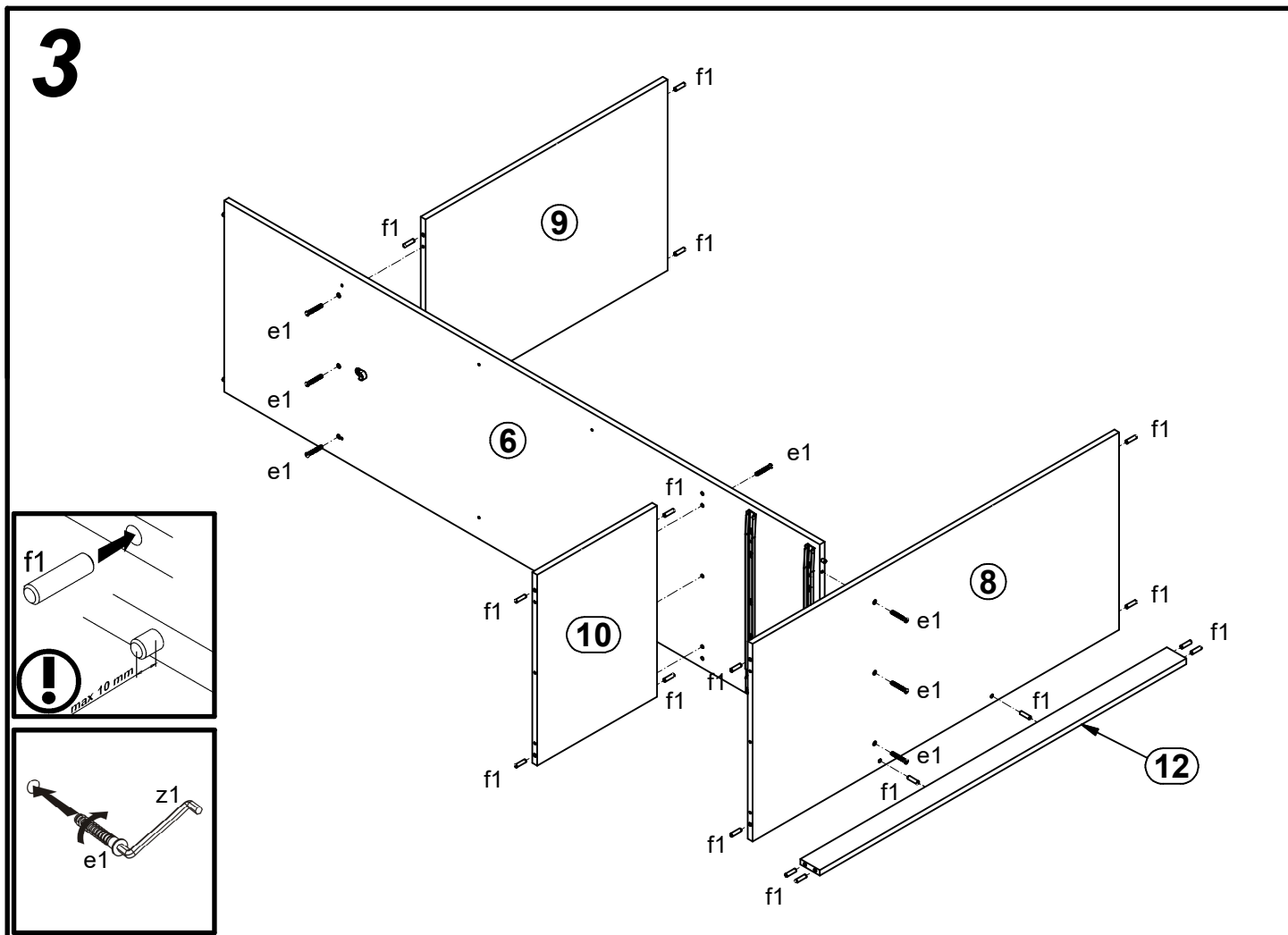
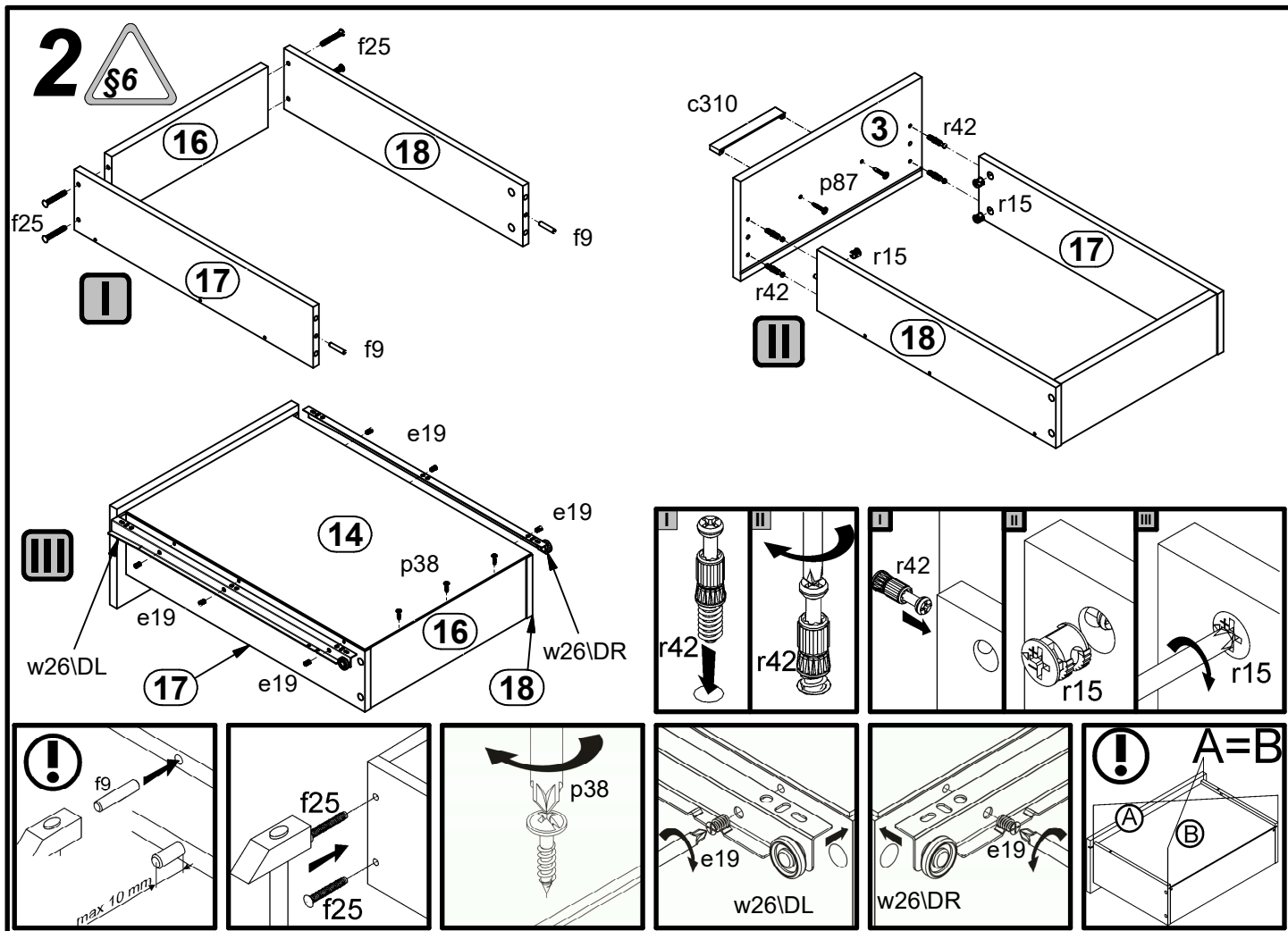


B

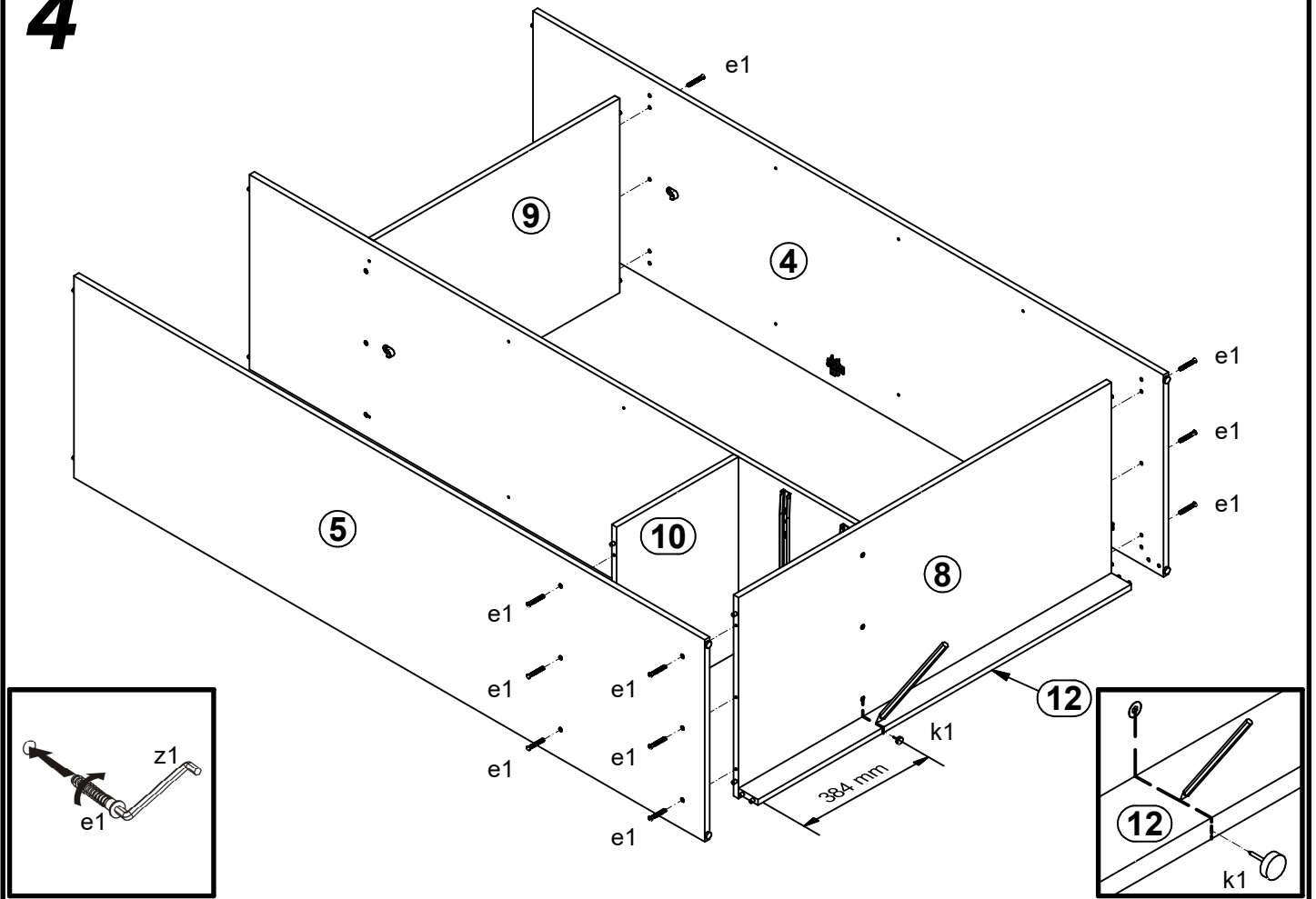


1 

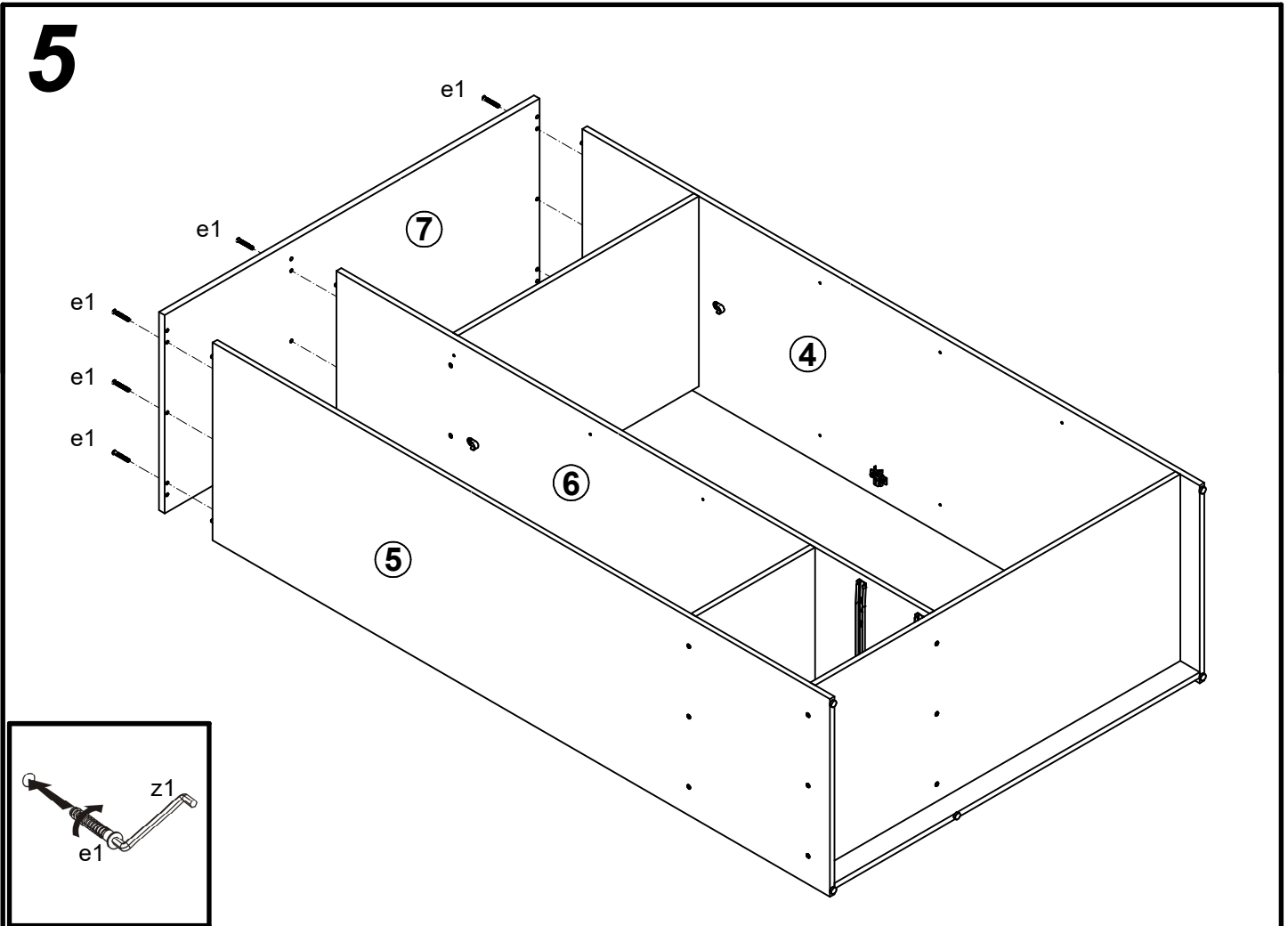




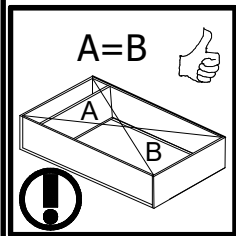
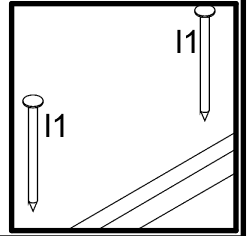
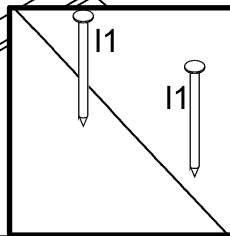
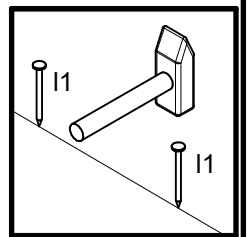
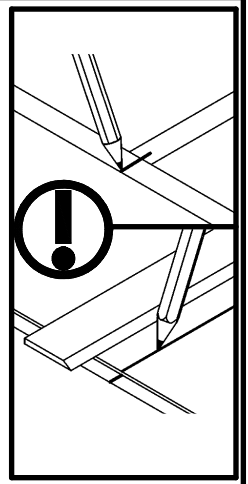
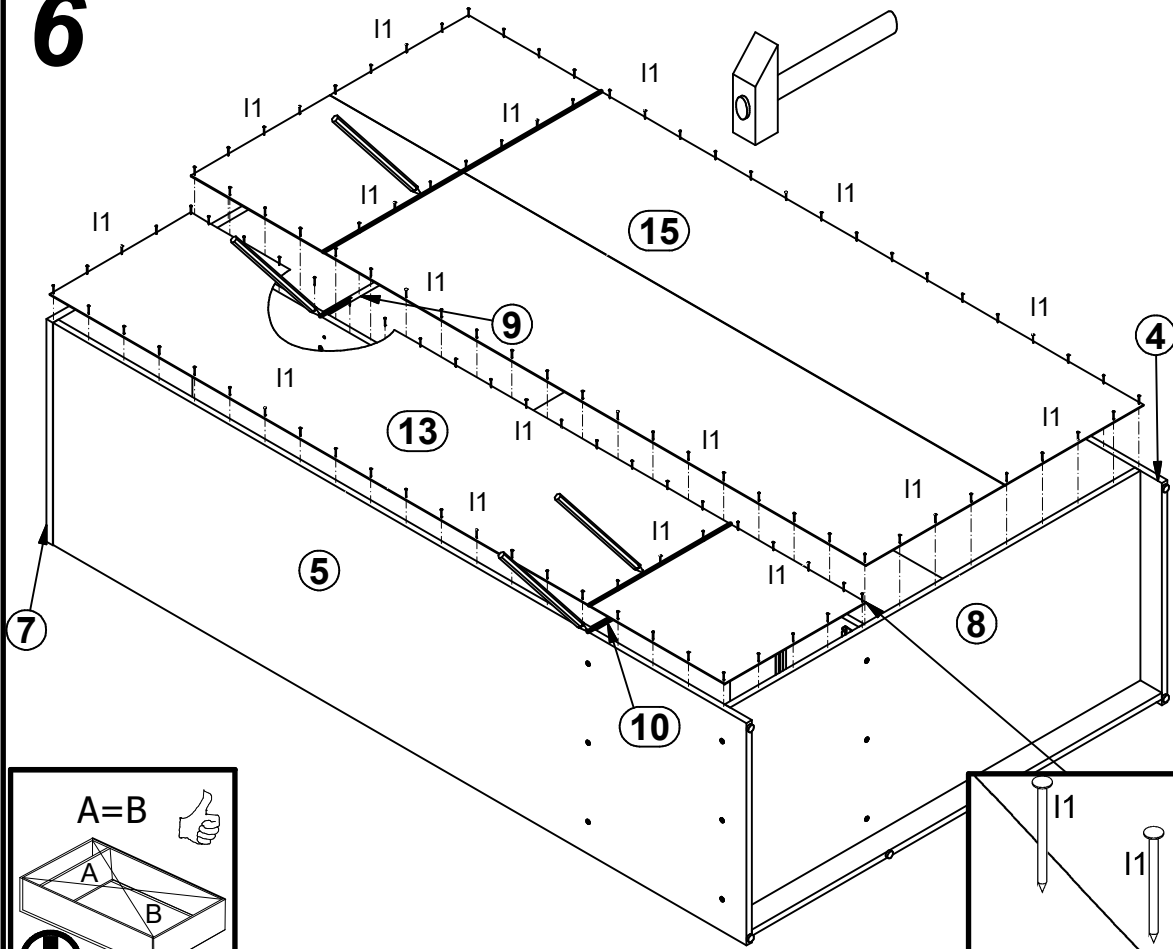
4



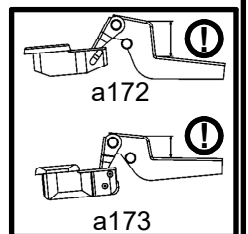
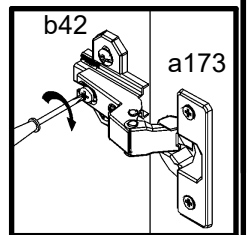
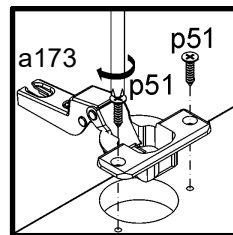
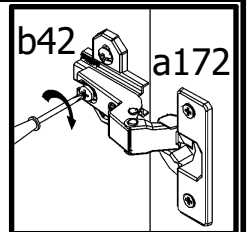
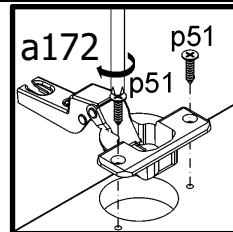
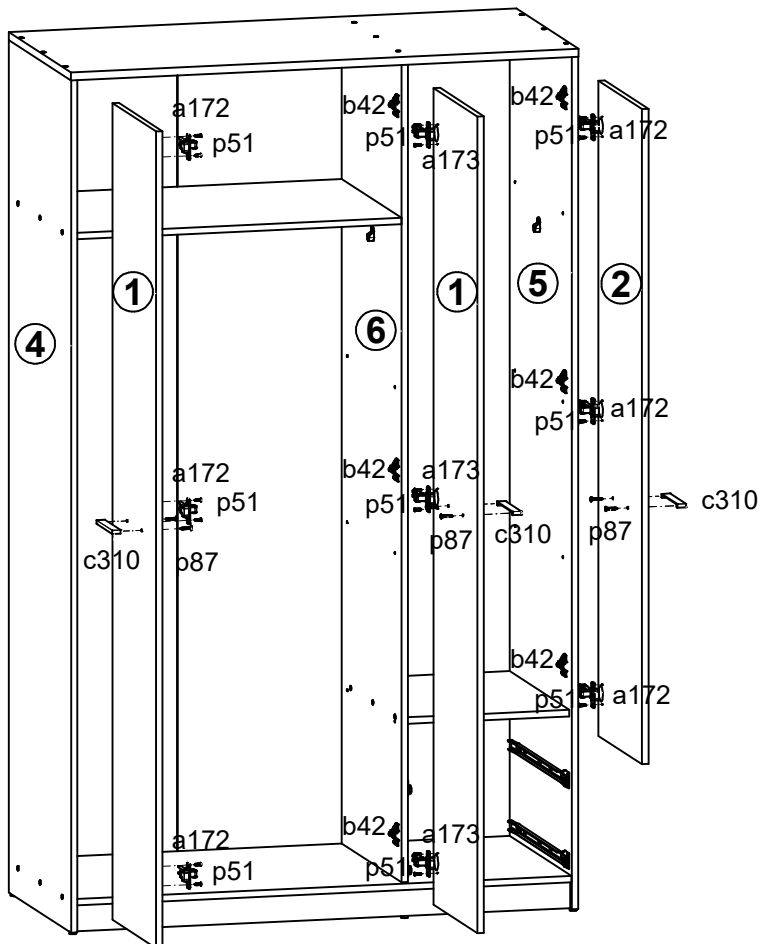
5



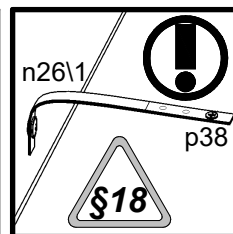
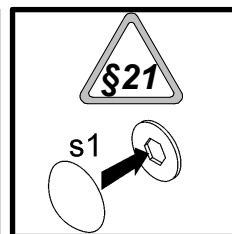
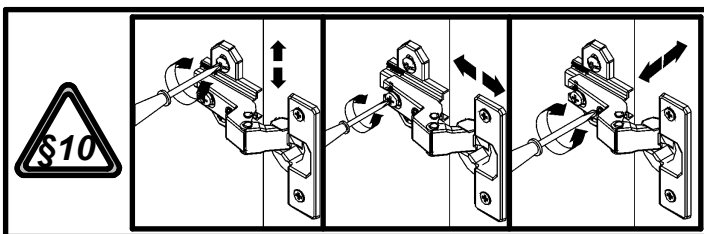
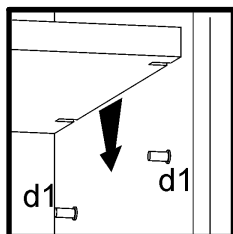
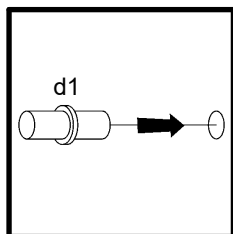
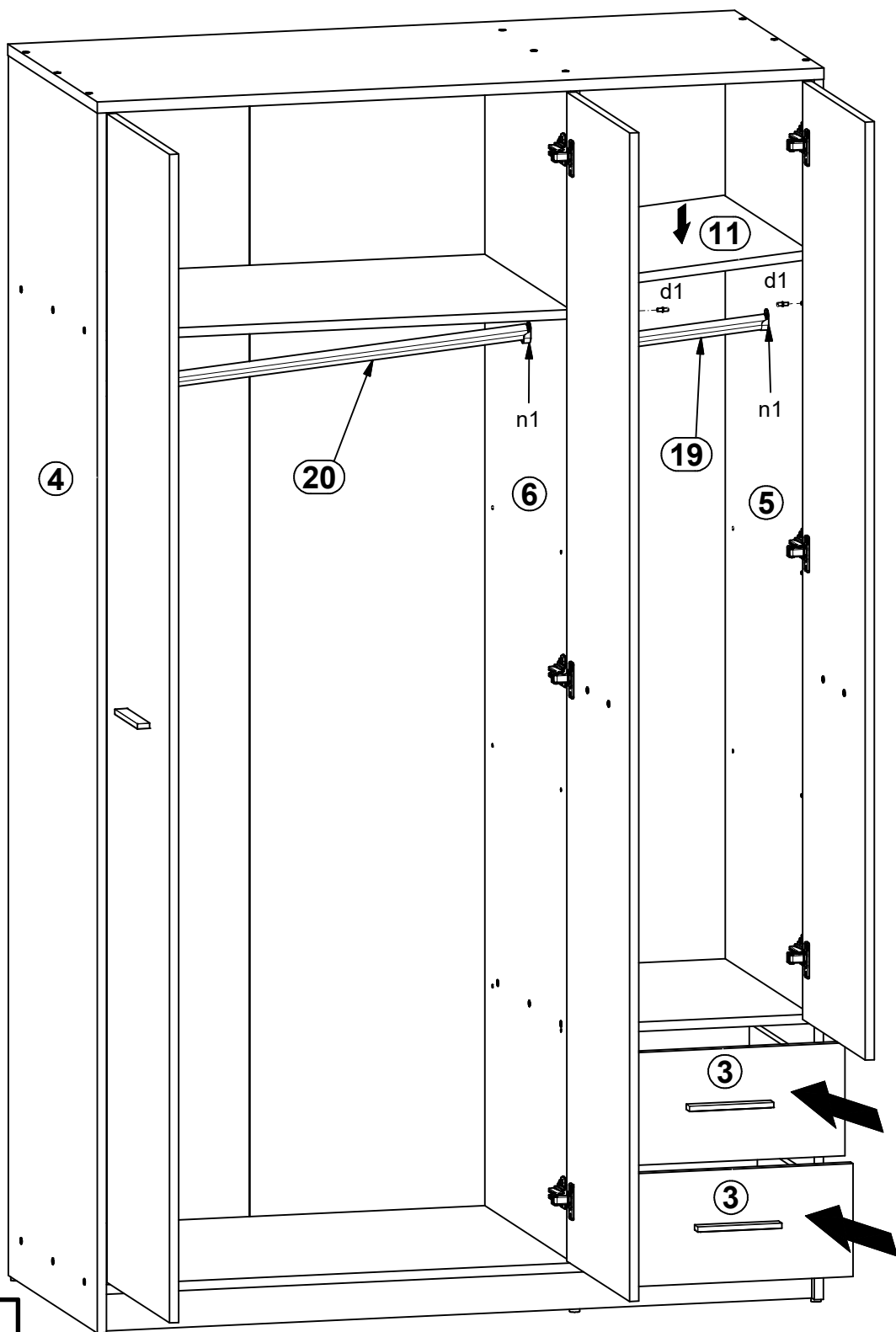
6



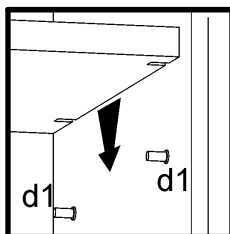
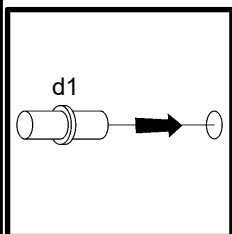
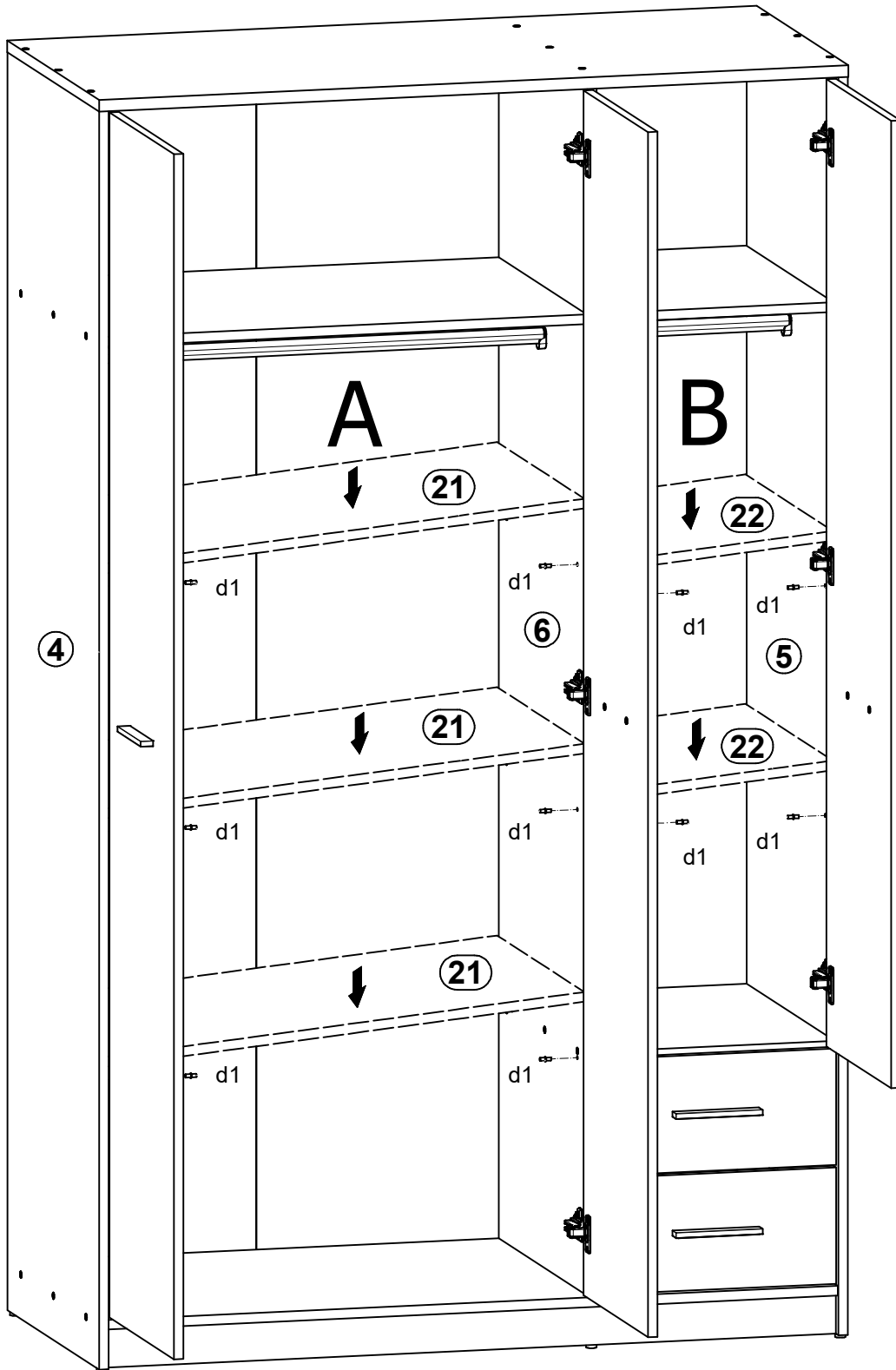
7



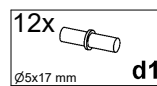
8



9 



A



B

