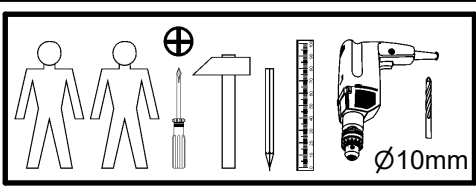
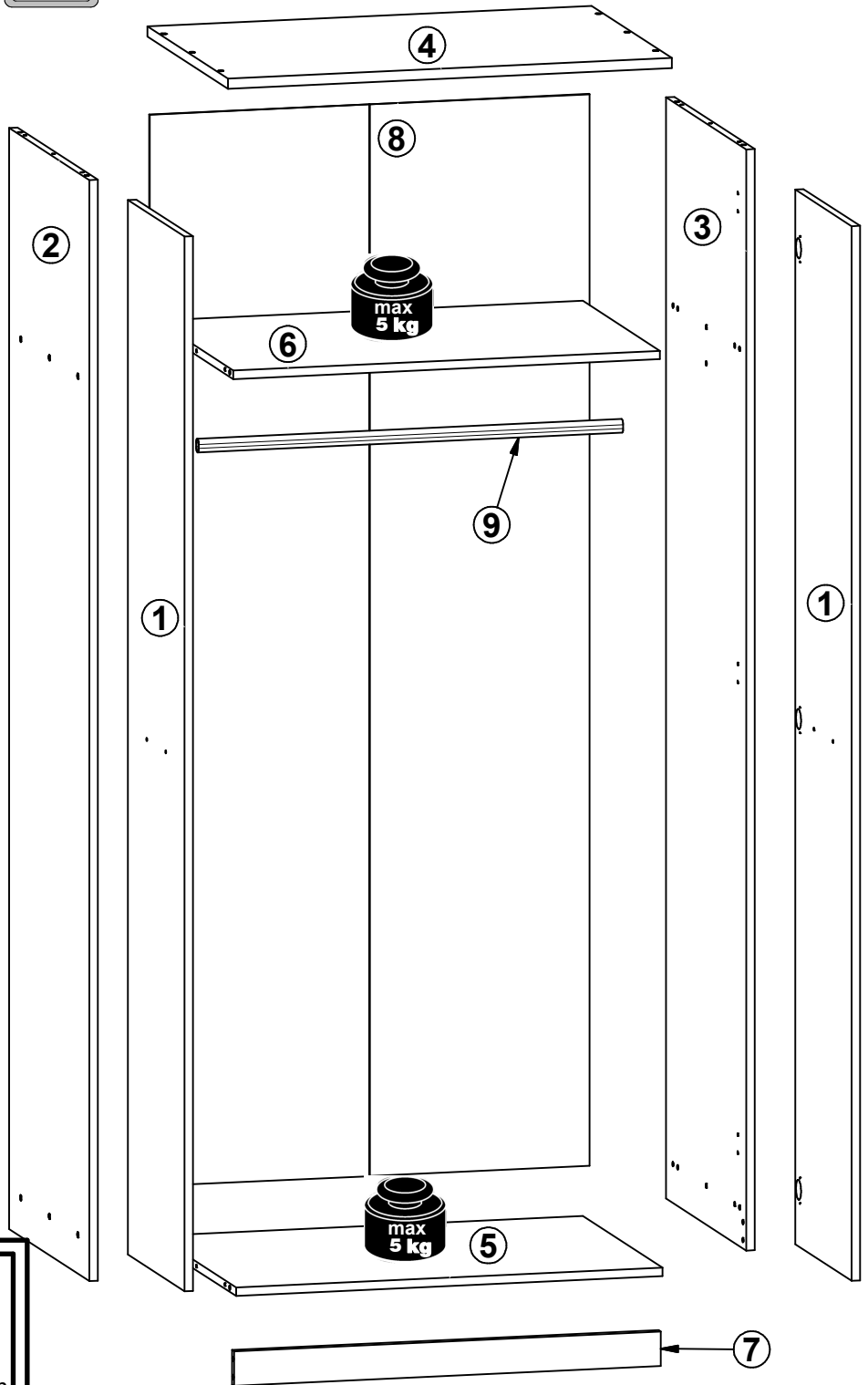
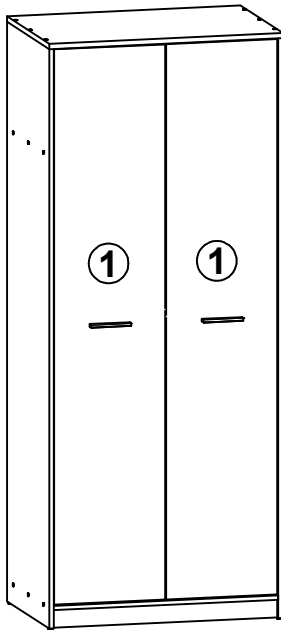


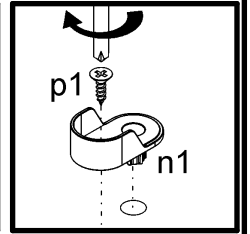
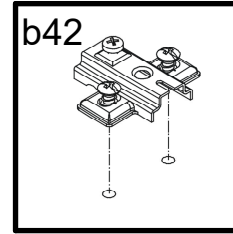
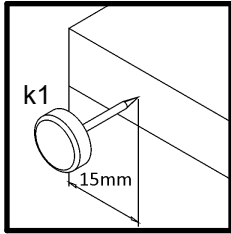
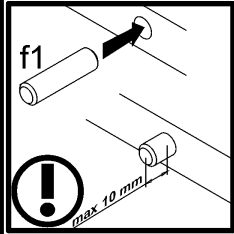
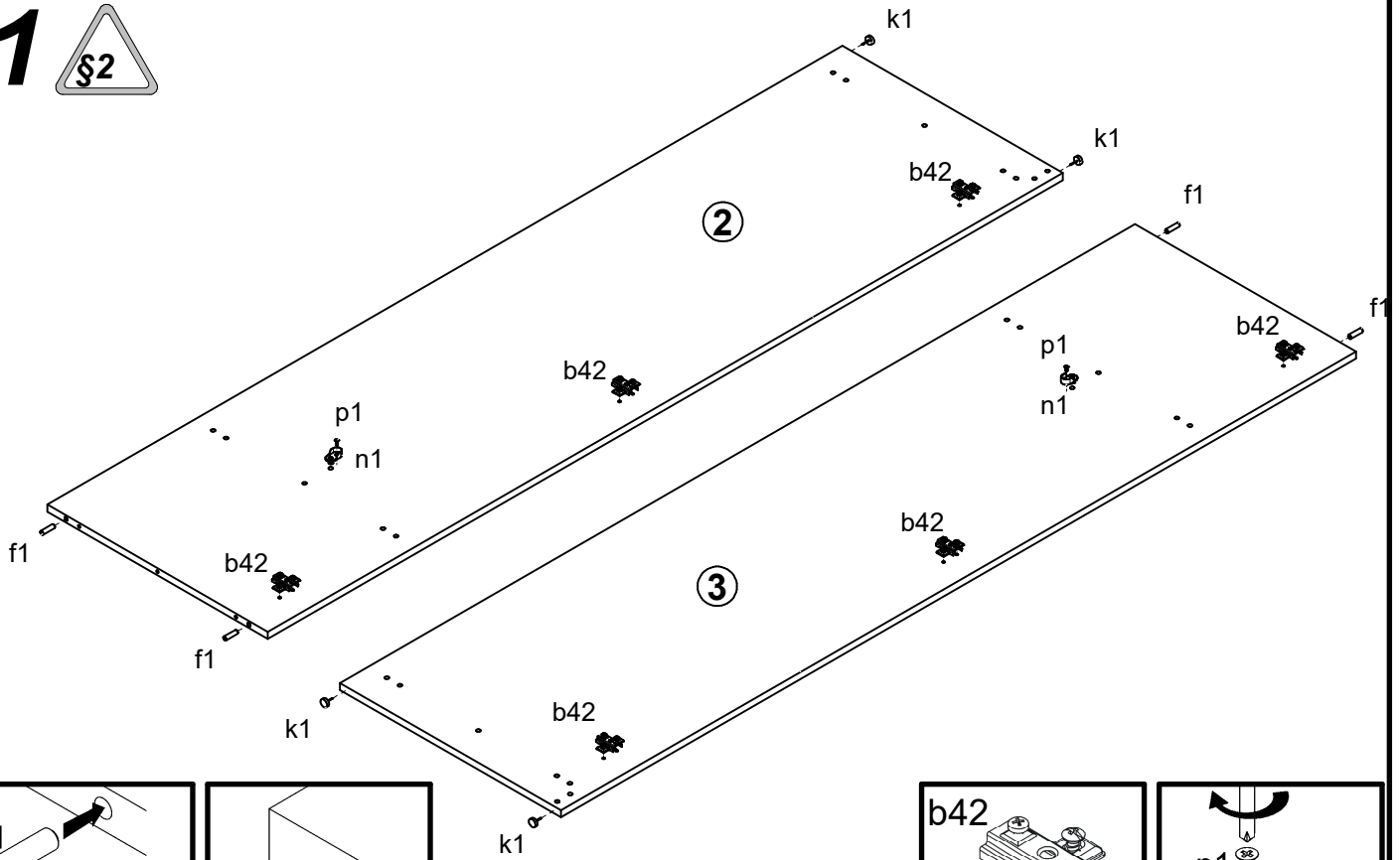
A	B	C	D
1	S435-0001	1864,	380,
2	S435-1001	1946,	540,
3	S435-1002	1946,	540,
4	S435-2001	800	541
5	S435-3001	769,	537,
6	S435-3002	769,	519,
7	S435-4001	769,	61,
8	S435-9301	1894,	793,
9	dr-765	765,	22



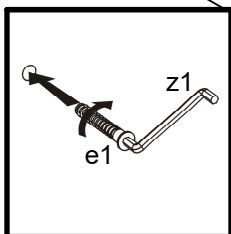
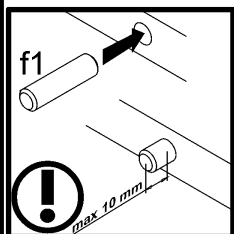
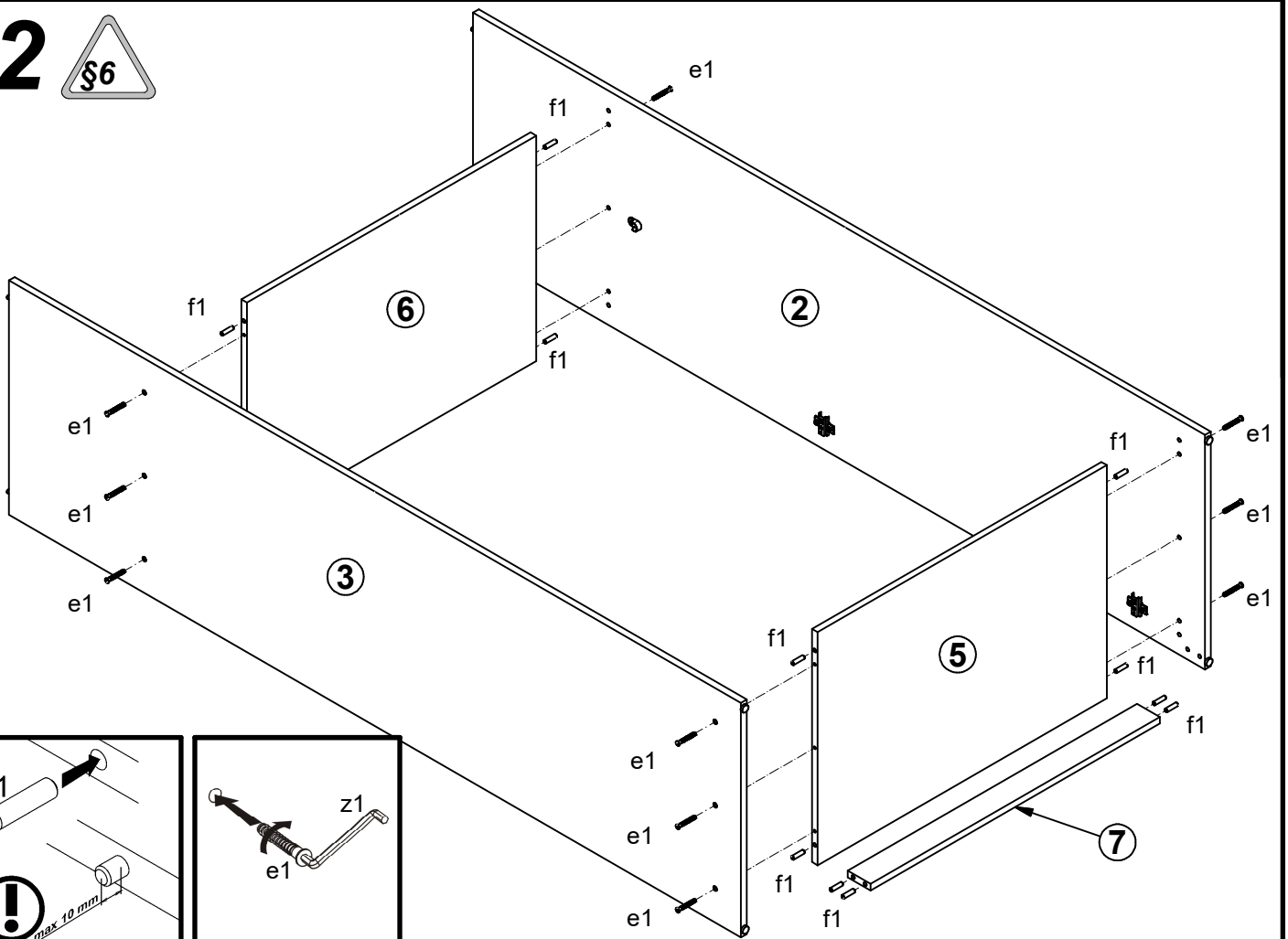
6x K18 Ø35 a172	6x b42	2x 128 mm c310	18x Ø7x50 mm e1	16x Ø8x30 mm f1	4x k1	70x 1.4x20 mm l1	2x h=22mm n1	2x Ø3.5x13 mm p1	
12x Ø3.5x15 mm p51	4x Ø4x25 mm p87	12x s1	1x 4 mm z1						

1x n2611	1x Ø3.5x16 mm p38
--------------------	--------------------------------

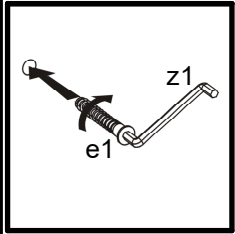
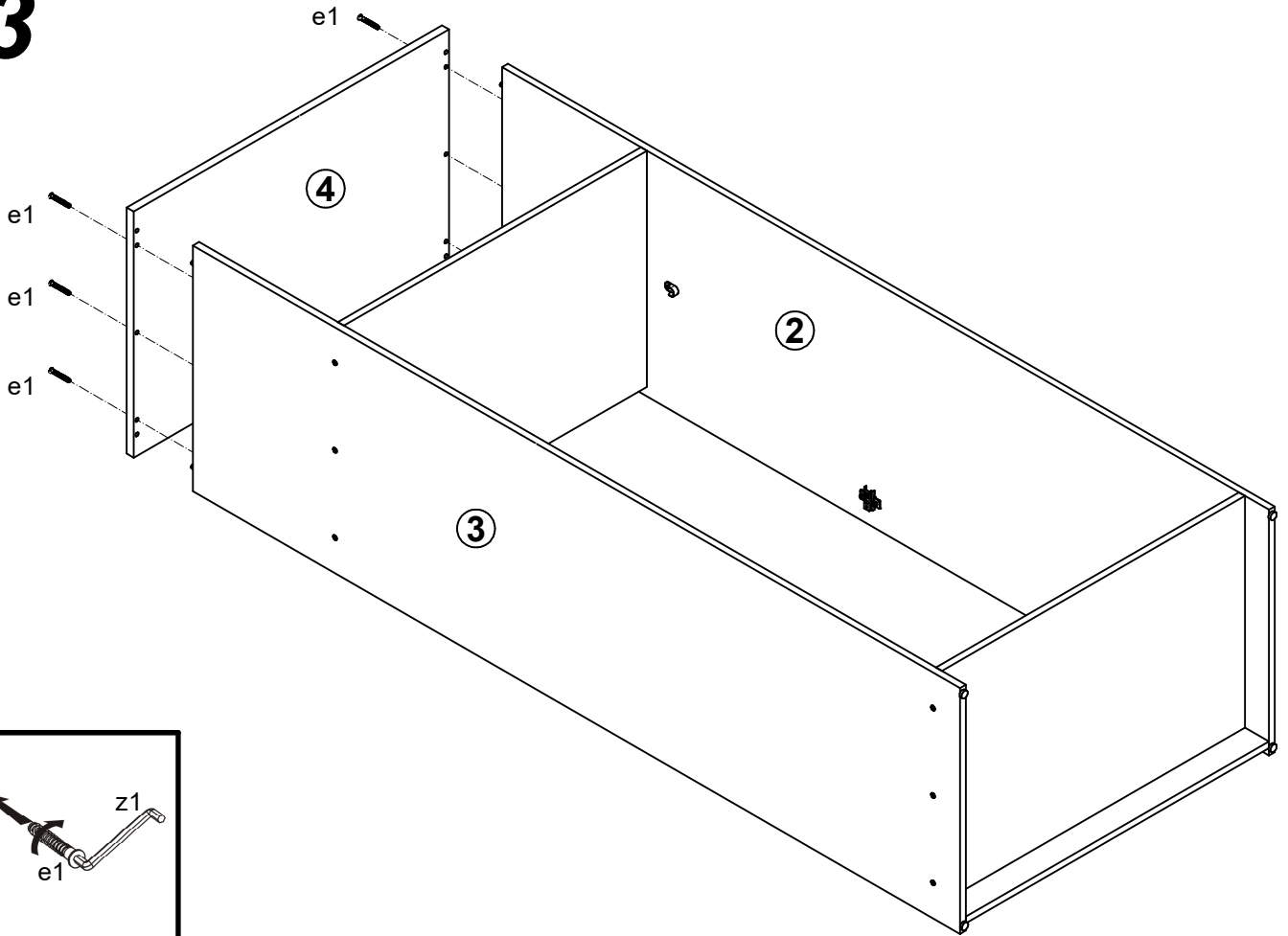
1



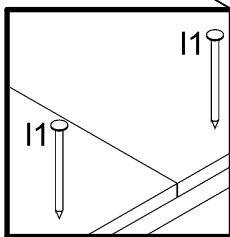
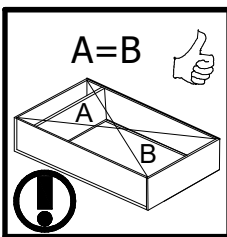
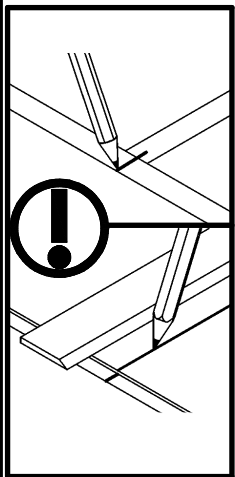
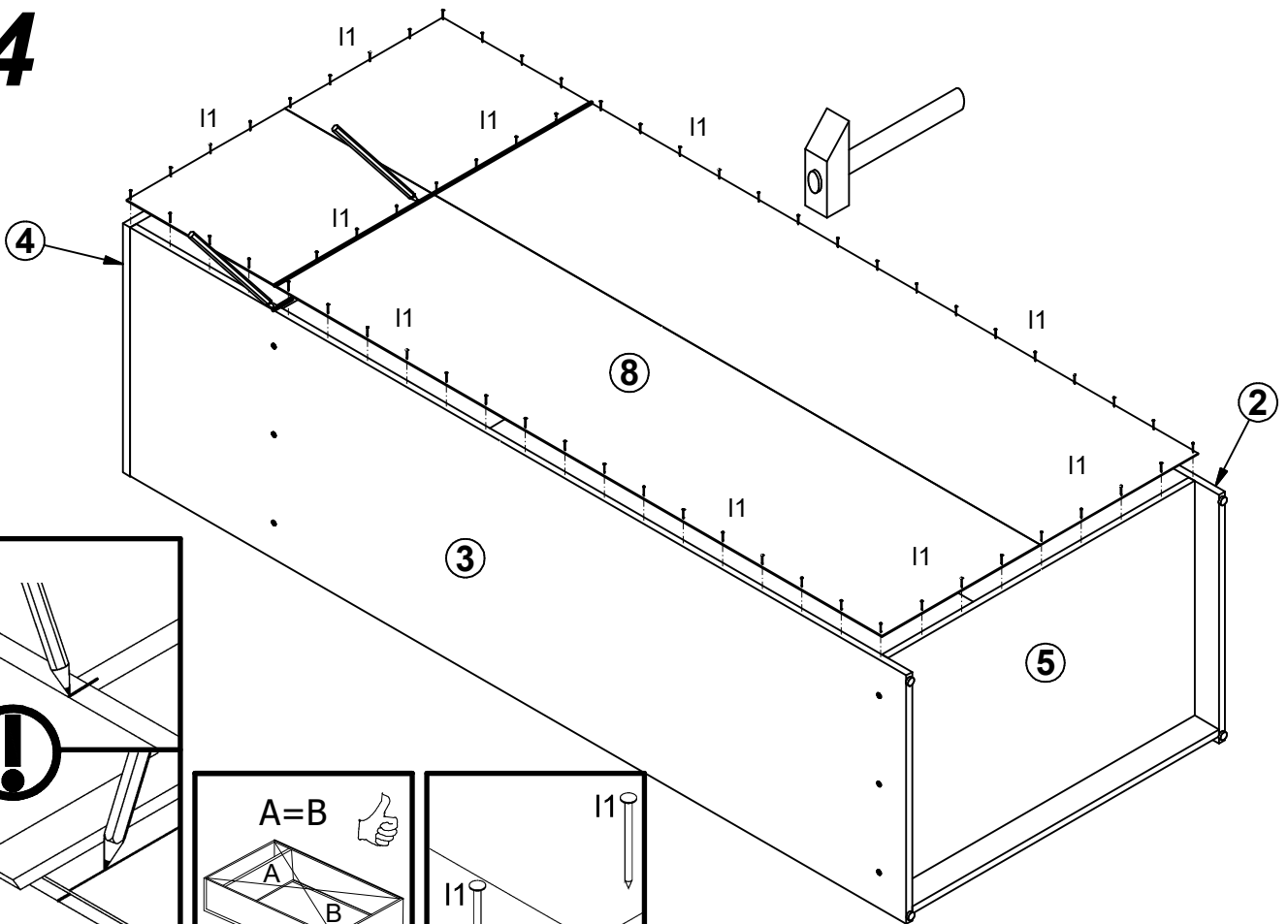
2



3



4



5

