



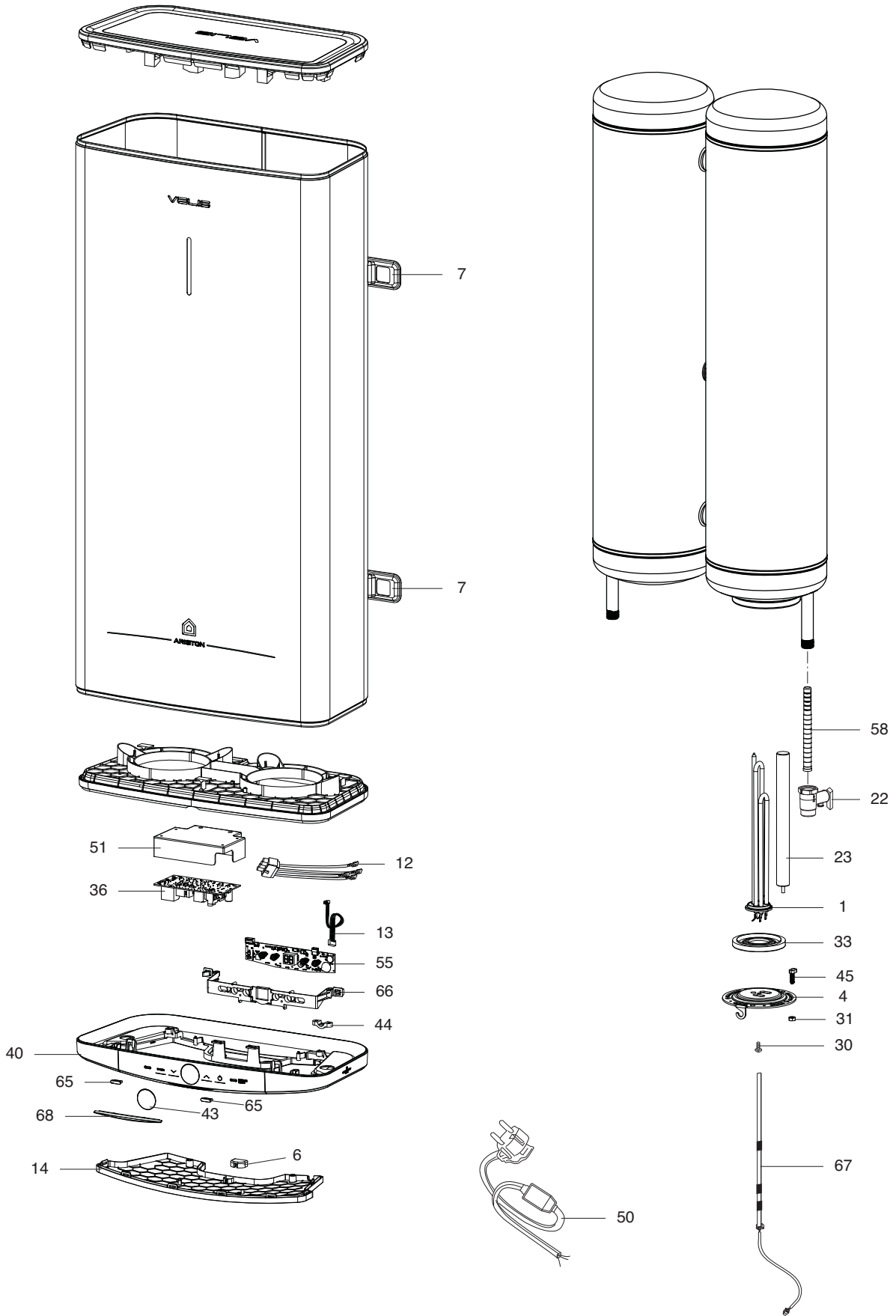
SPARE PARTS EXPLODED VIEW  
STORAGE ELECTRIC WATER HEATERS  
Model  
**VELIS TECH PW ABSE 2K**

R8218948-01 - 12/04/2023

VELIS TECH PW ABSE 2K

Storage Electric Water Heaters

3700737	VELIS TECH INOX PW ABSE 2K 30	09-2023	-	
Col	Reference	Model type	Begin	End



☉⇒	Description	Manf. Pt. N	Type	VEL. TECH ABSE 2K 30																									
				1	2	3	4	5	6	7	8	9	10	11	12	13	14	15	16	17	18	From	to						
0001	HEATING ELEMENT 1000+1000W 220-240V	65122220		•																									
0004	FLANGE (5 HOLES)	65180459		•																									
0006	WATER DRAIN STOPPER	65180442		•																									
0007	SUPPORT BRACKET	65180461		•																									
0012	WIRING (ELEMENT / MAIN BOARD)	65122222		•																									
0013	WIRING (CONTROL BOARD)	65115286		•																									
0014	PLASTIC COVER	65180444		•																									
0022	SAFETY VALVE WITH LEVER (1/2" 6 BAR)	65151712		•																									
0023	ANODE D:18 L:210 M5	65180460		•																									
0030	SCREW M6X12	993000		•																									
0031	NUT M6	994140		•																									
0033	FLANGE GASKET	65180458		•																									
0036	P.C.B. (MAIN)	65116249		•																									
0040	BOTTOM BIG PLASTIC COVER	65180450		•																									
0043	DISPLAY COVER	65180447		•																									
0044	CABLE CLAMP	573266		•																									
0045	SCREW M6X20	65151225		•																									
0050	POWER CABLE WITH ELCB (16A 1,0m)	65150965		•																									
0051	POWER BOARD BOX	65155810		•																									
0055	CONTROL BOARD	65122247		•																									
0058	BAFFLE (1/2" H=159)	65152176		•																									
0065	SIGNAL CAP	65180448		•																									
0066	HOLDER FOR CONTROL BOARD	65180446		•																									
0067	WIRED NTC PROBE (INLET TANK)	65153301		•																									
0068	LED INDICATOR	65180449		•																									

## LIST OF THE ABBREVIATIONS

HW .....	: Hot water.
CW .....	: Cold water.
C .....	: Ceramic resistance (normal heating).
Ca .....	: Ceramic resistance (accelerated heating)
TP .....	: Immersion heater.
1F .....	: With fittings.
2F .....	: Without fittings.
3F .....	: With fittings and another outlet connection.
AMI .....	: With mixing valve.
SMI .....	: Without mixing valve.
PUISS .....	: Power of th appliance.
PN .....	: Appliance with normal pression.
LP .....	: Appliance with low pression.
PV .....	: Appliance with variable power.
PF .....	: Appliance with fixed power.

## IDENTIFICATION PLATE

### SERIAL NUMBER

**6 Characters :**  
 Year of manufacture 03 09 08 Manufacturing day  
 Month of manufacture

**9 Characters :**  
 Year of manufacture 5 9 12 0606 Sequential number  
 Month of manufacture

**14 Characters :**  
 SI-V-0B0 45 07 0001  
 Sequential number  
 Year of manufacture : → 6 → 2004  
 Month of manufacture : → 25 → January 43 → July 7 → 2005  
13 → February 29 → August 8 → 2006  
32 → March 40 → September etc ...  
35 → April 38 → October  
39 → May 51 → November  
45 → June 12 → December

**14 Characters :**  
111518 XX 000010  
 Month of manufacture Sequential number  
 Day of manufacture Year of manufacture

**15 Characters :**  
02 11 00001 007843  
 Year of manufacture Product reference  
 Month of manufacture Sequential number

**21 Characters :**  
3200050 XX 08115 0000001  
 Product reference Sequential number  
 Year (08) / Manufacturing day (115)

**22 Characters :**  
3200050 XX 070115 0000001  
 Product reference Sequential number  
 Year (07) / Month (01) / Manufacturing day (15)