



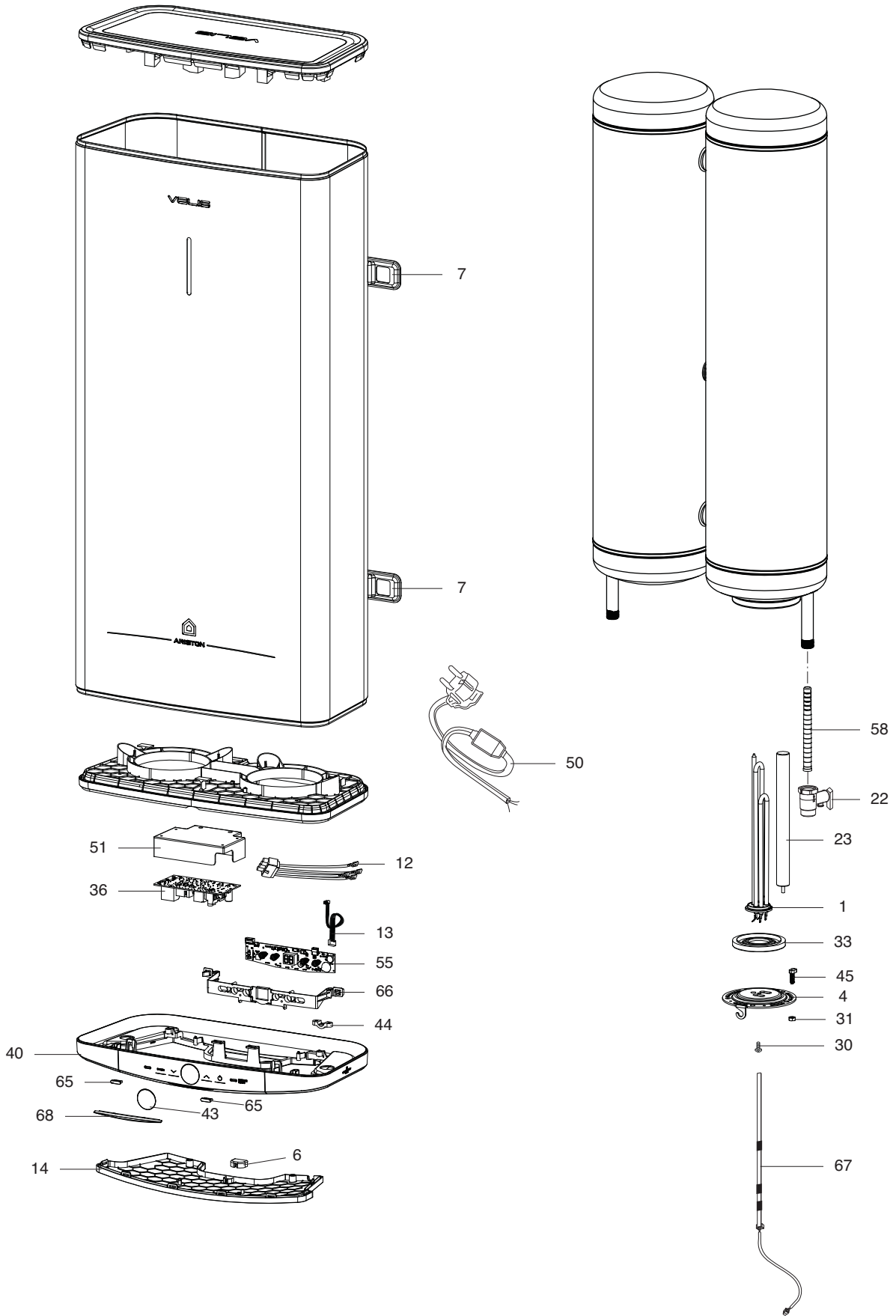
SPARE PARTS EXPLODED VIEW  
STORAGE ELECTRIC WATER HEATERS  
Model  
**ABSE VLS PRO PW 2K**

R8218947-01 - 03/04/2023

ABSE VLS PRO PW 2K

Storage Electric Water Heaters

1	3700736	ABSE VLS PRO INOX PW 2K 30	09-2023	-
Col	Reference	Model type	Begin	End



ABSE VLS INOX 30 2K

31

☺⇒	Description	Manf. Pt. N	Type	From to																			
				1	2	3	4	5	6	7	8	9	10	11	12	13	14	15	16	17	18		
0001	HEATING ELEMENT 1000+1000W 220-240V	65122220		●																			
0004	FLANGE (5 HOLES)	65180459		●																			
0006	WATER DRAIN STOPPER	65180442		●																			
0007	SUPPORT BRACKET	65180461		●																			
0012	WIRING	65122222		●																			
0013	WIRING (CONTROL BOARD)	65115286		●																			
0014	PLASTIC COVER	65180444		●																			
0022	SAFETY VALVE WITH LEVER (1/2" 6 BAR)	65151712		●																			
0023	ANODE D:18 L:210 M5	65180460		●																			
0030	SCREW M6X12	993000		●																			
0031	NUT M6	994140		●																			
0033	FLANGE GASKET	65180458		●																			
0036	P.C.B. (MAIN)	65116249		●																			
0040	BOTTOM BIG PLASTIC COVER	65180445		●																			
0043	DISPLAY COVER	65180447		●																			
0044	CABLE CLAMP	573266		●																			
0045	SCREW M6X20	65151225		●																			
0050	POWER CABLE WITH ELCB (16A 1,0m)	65150965		●																			
0051	POWER BOARD BOX	65155810		●																			
0055	CONTROL BOARD	65122247		●																			
0058	BAFFLE (1/2" H=159)	65152176		●																			
0065	SIGNAL CAP	65180448		●																			
0066	HOLDER FOR CONTROL BOARD	65180446		●																			
0067	WIRED NTC PROBE (INLET TANK)	65153301		●																			
0068	LED INDICATOR	65180449		●																			

ABSE VLS PRO PW 2K  
Storage Electric Water Heaters

## LIST OF THE ABBREVIATIONS

HW .....	: Hot water.
CW .....	: Cold water.
C .....	: Ceramic resistance (normal heating).
Ca .....	: Ceramic resistance (accelerated heating)
TP .....	: Immersion heater.
1F .....	: With fittings.
2F .....	: Without fittings.
3F .....	: With fittings and another outlet connection.
AMI .....	: With mixing valve.
SMI .....	: Without mixing valve.
PUISS .....	: Power of th appliance.
PN .....	: Appliance with normal pression.
LP .....	: Appliance with low pression.
PV .....	: Appliance with variable power.
PF .....	: Appliance with fixed power.

## IDENTIFICATION PLATE

### SERIAL NUMBER

**6 Characters :**  
 Year of manufacture 03 09 08 Manufacturing day  
 Month of manufacture

**9 Characters :**  
 Year of manufacture 5 9 12 0606  
 Month of manufacture Sequential number

**14 Characters :**  
 SI-V-0B0 45 07 0001  
 Sequential number  
 Year of manufacture : 6 → 2004  
 Month of manufacture : → 25 → January 43 → July 7 → 2005  
 13 → February 29 → August 8 → 2006  
 32 → March 40 → September etc ...  
 35 → April 38 → October  
 39 → May 51 → November  
 45 → June 12 → December

**14 Characters :**  
 111518 XX 000010  
 Month of manufacture Sequential number  
 Day of manufacture Year of manufacture

**15 Characters :**  
 02 11 00001 007843  
 Year of manufacture Product reference  
 Month of manufacture Sequential number

**21 Characters :**  
 3200050 XX 08115 0000001  
 Product reference Sequential number  
 Year (08) / Manufacturing day (115)

**22 Characters :**  
 3200050 XX 070115 0000001  
 Product reference Sequential number  
 Year (07) / Month (01) / Manufacturing day (15)

The indications mentioned on the prices, commercial or technical literature and the scheme are written for your guidance and are available at a given time. The CONSTRUCTOR retains the power to modify the presentation, the form, the size, the conception or the material of the products.