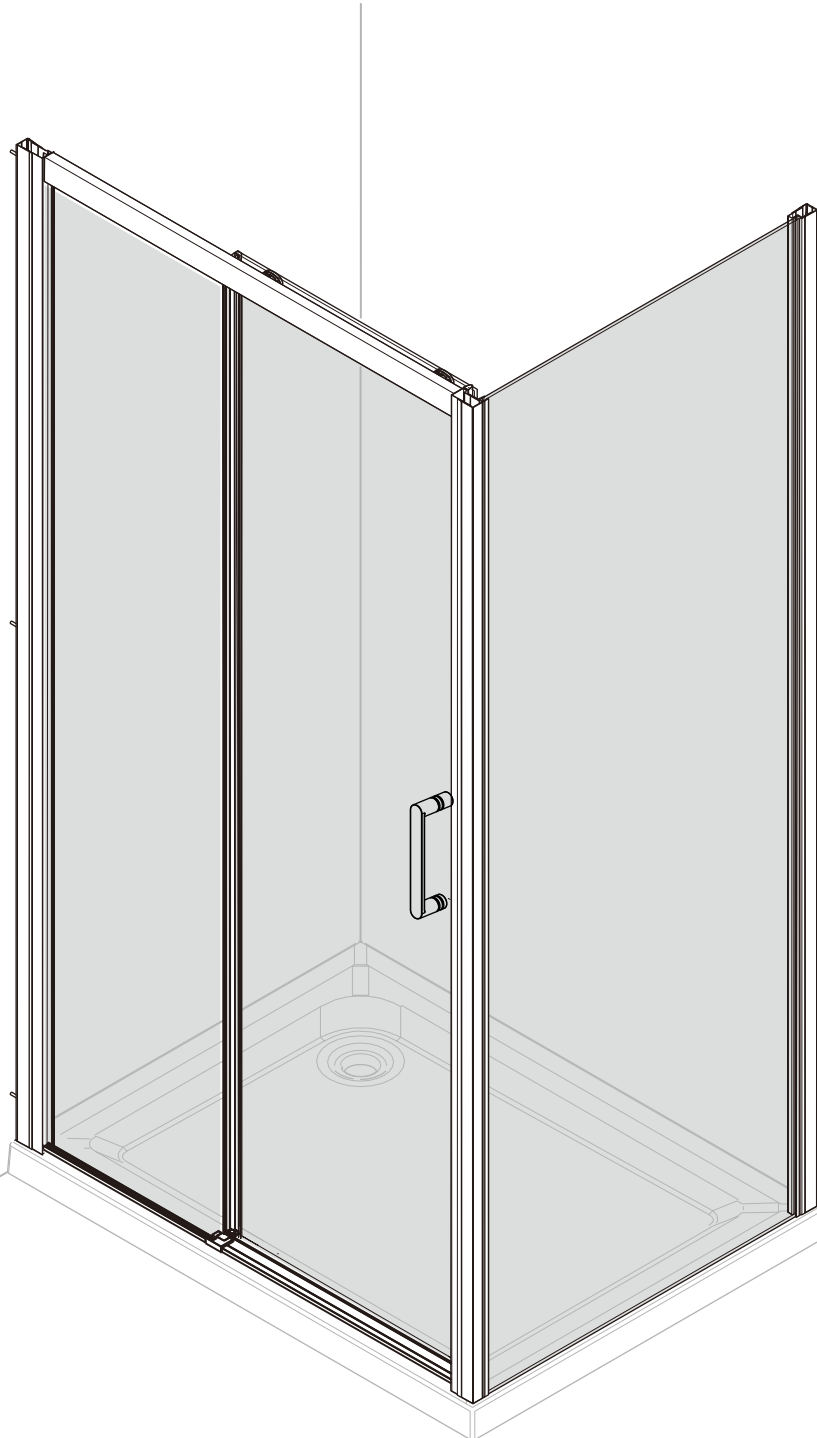
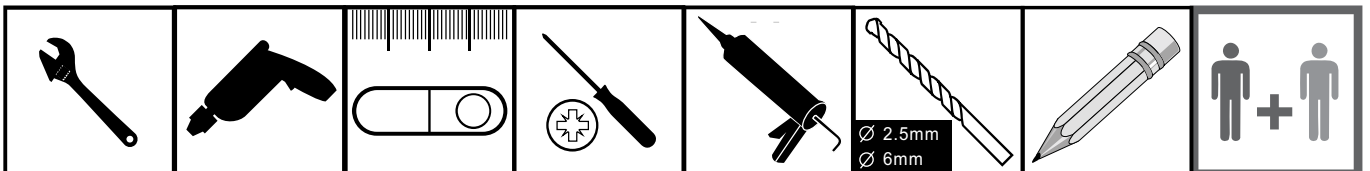
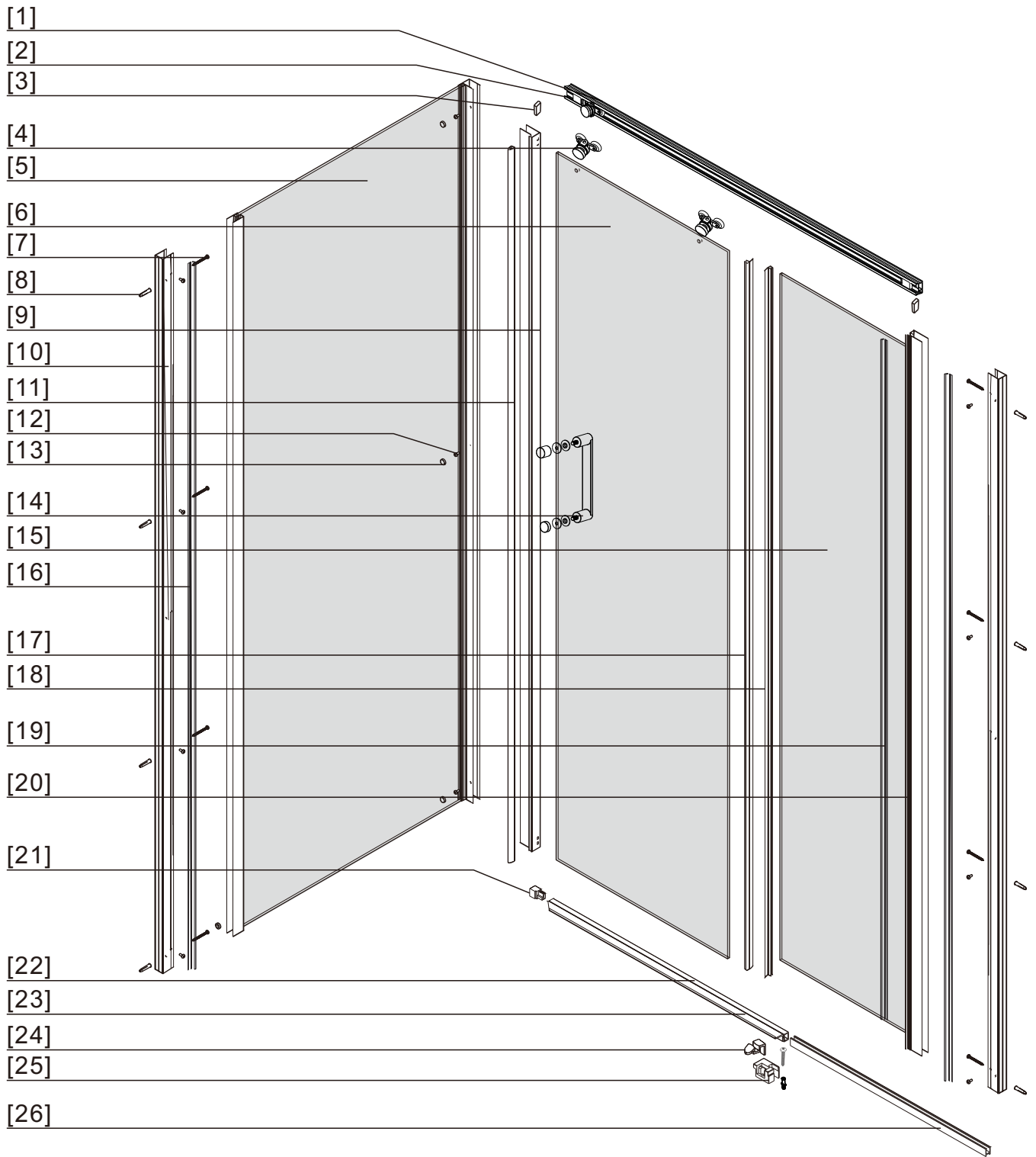
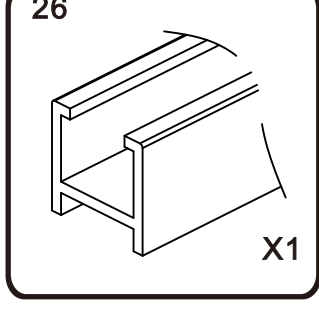
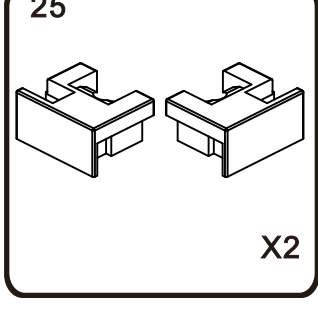
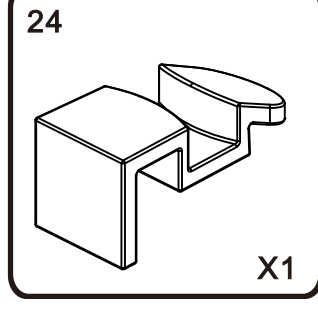
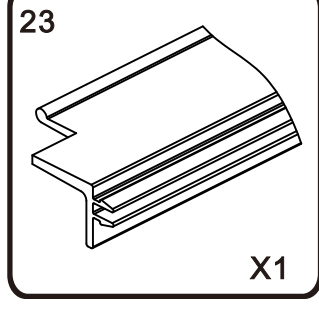
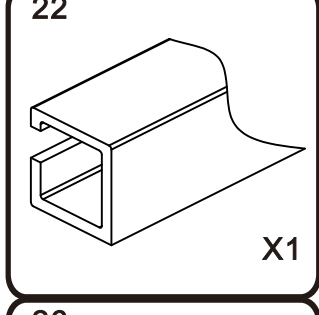
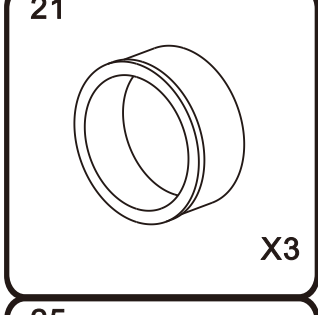
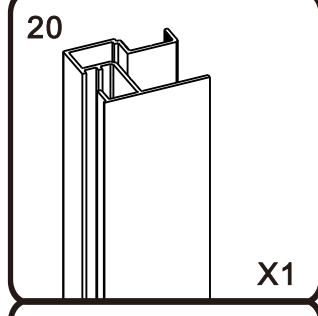
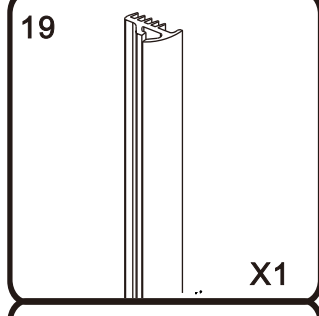
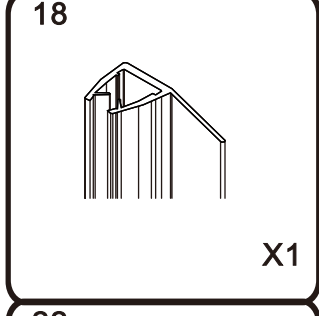
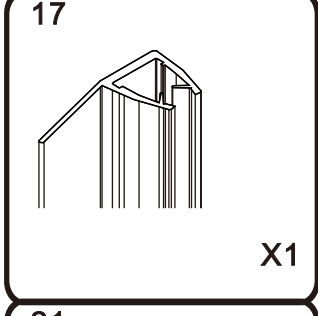
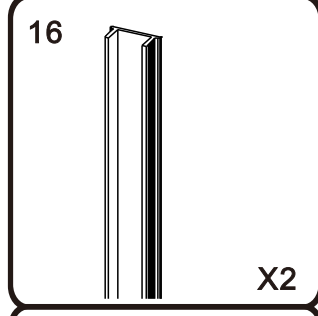
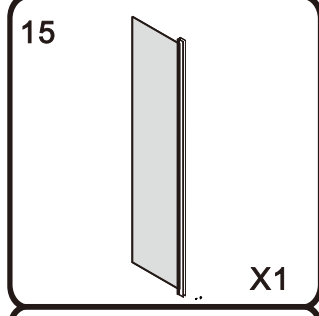
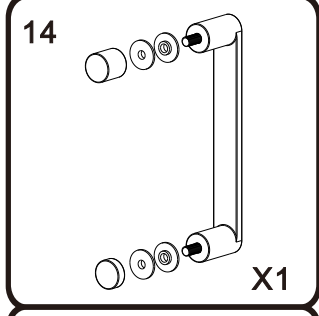
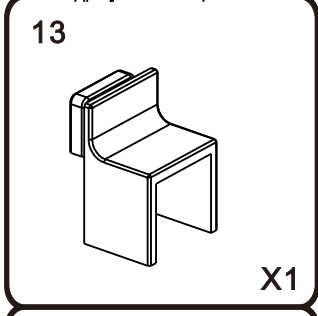
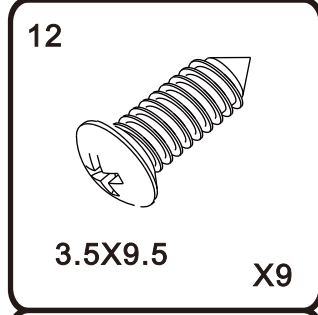
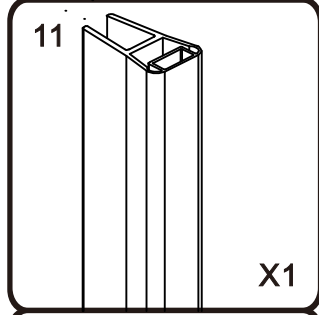
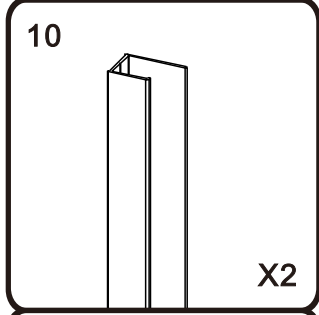
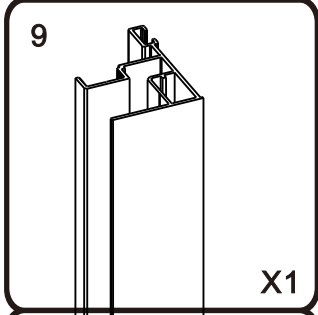
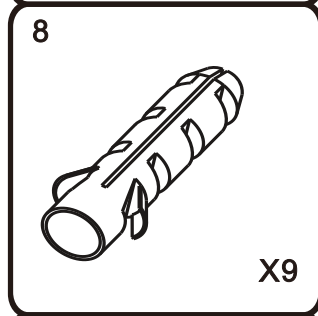
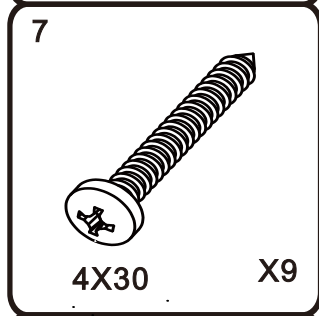
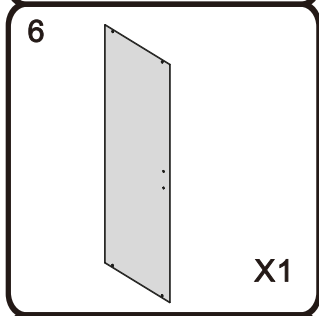
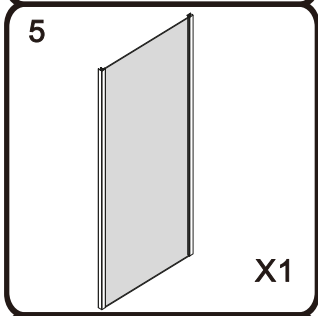
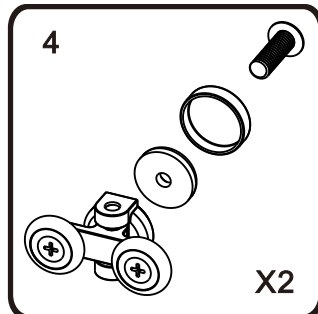
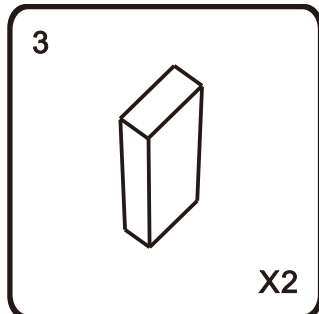
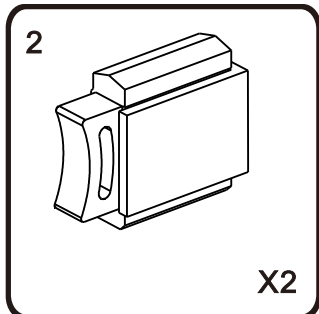
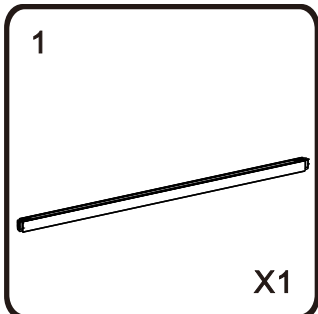


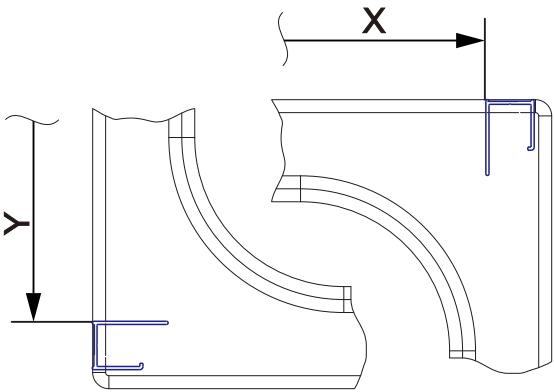
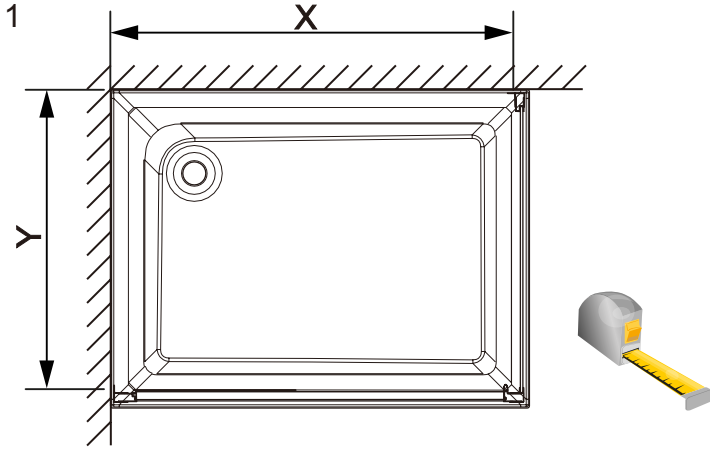
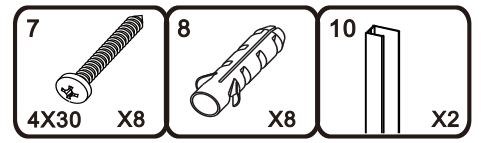
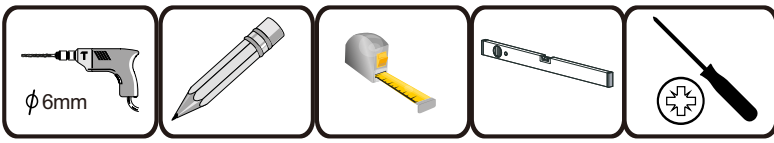
# INSTALLATION MANUAL



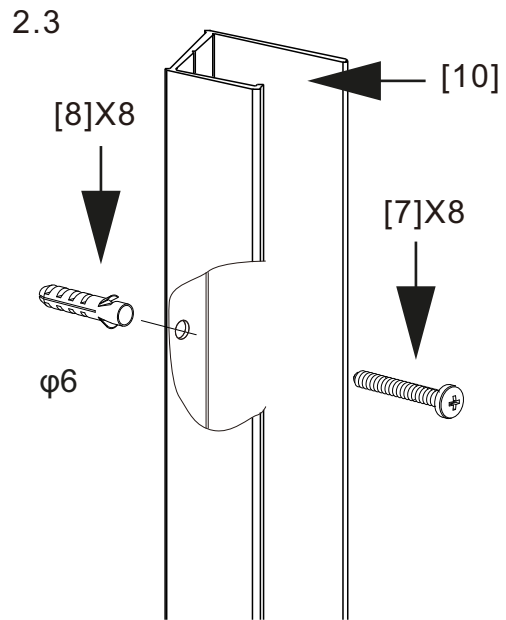
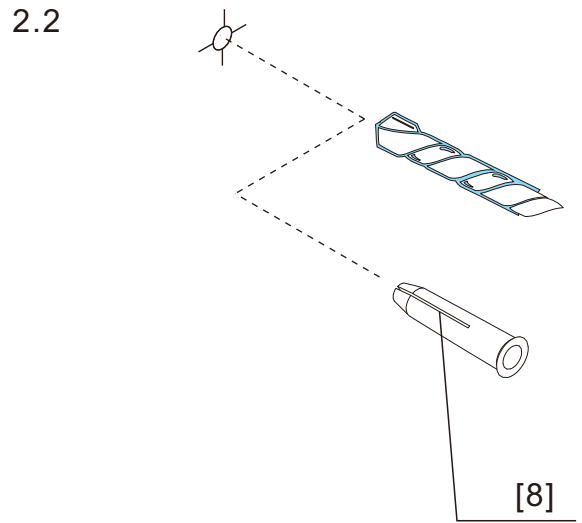
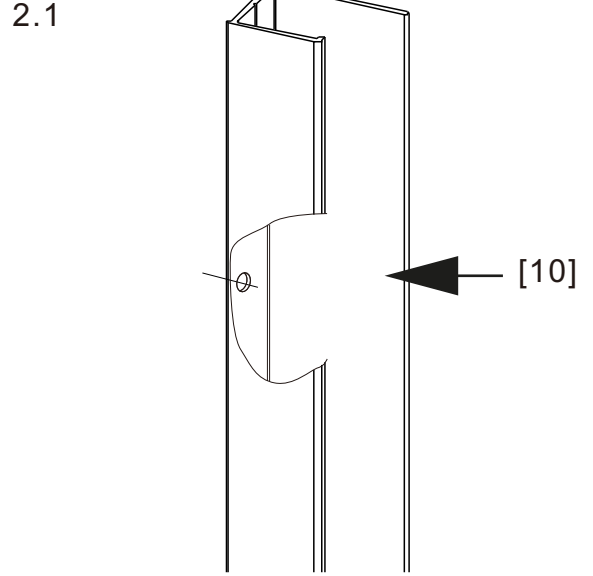
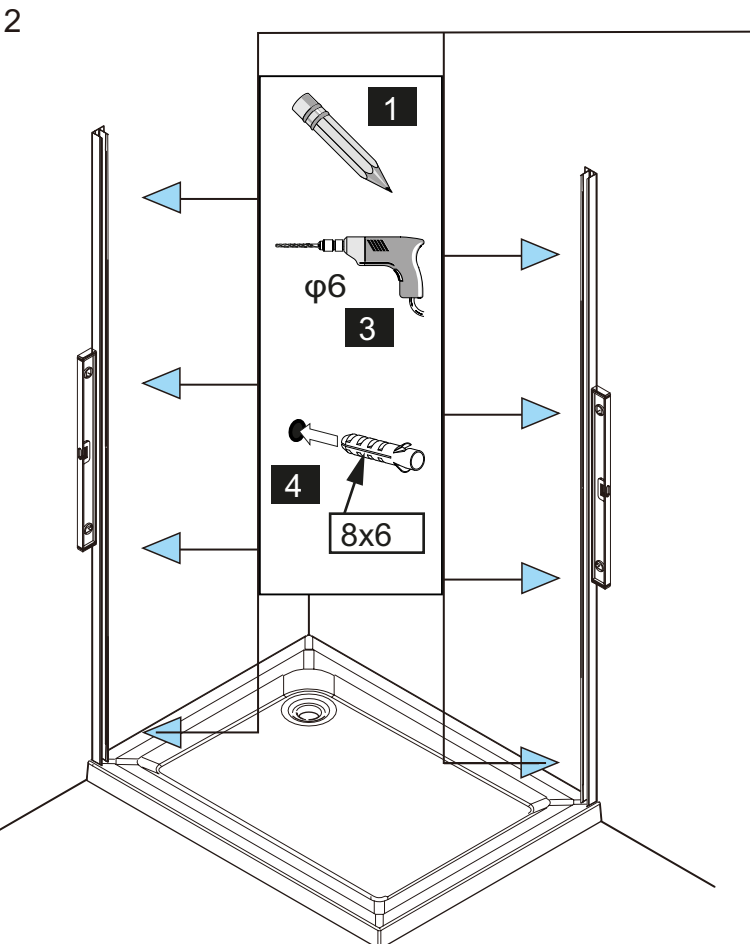
Caspia 55060-100  
Caspia 55060-100B  
Caspia 55060-100C  
Caspia 55060-100BC  
Caspia 55060-120  
Caspia 55060-120B

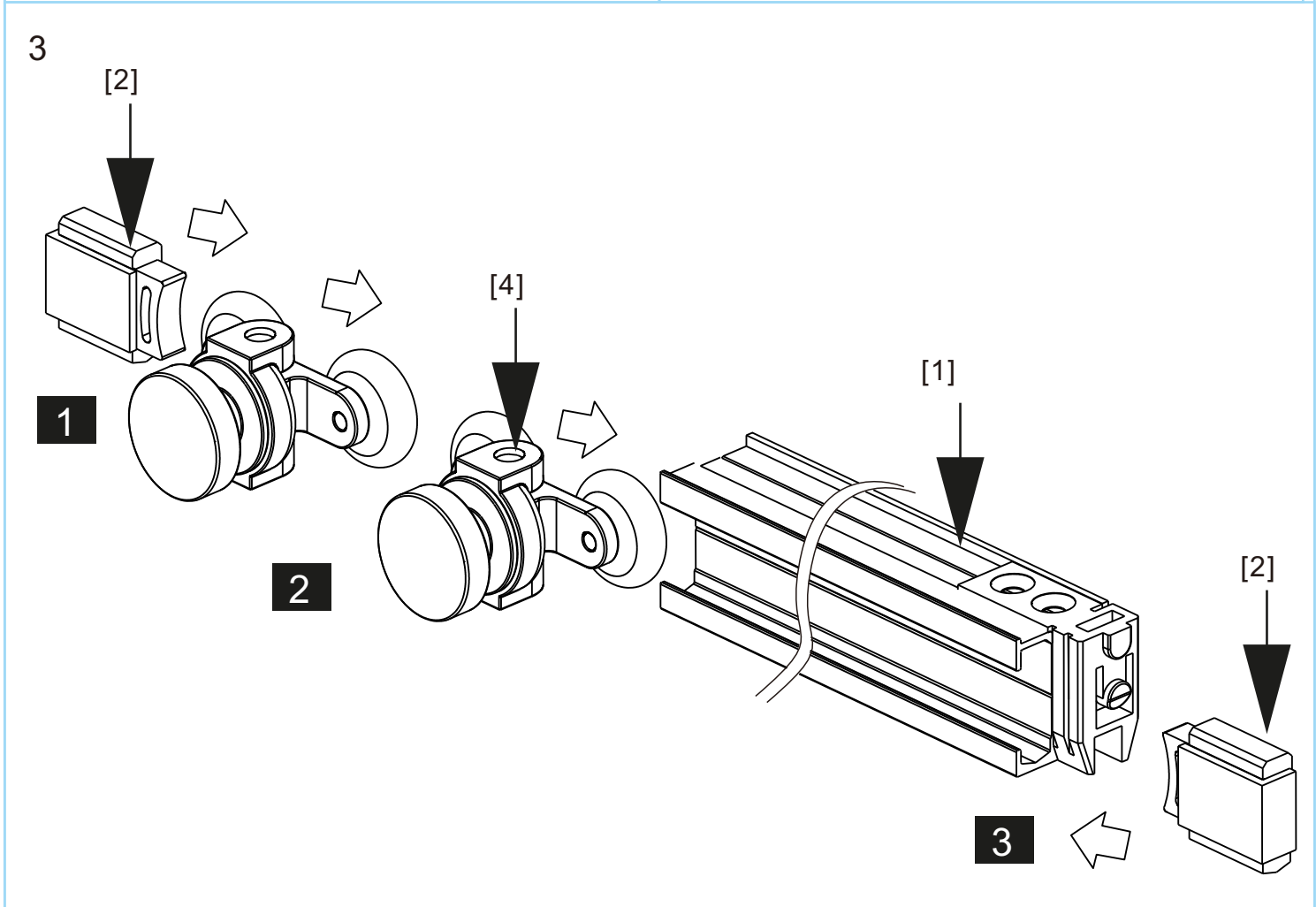
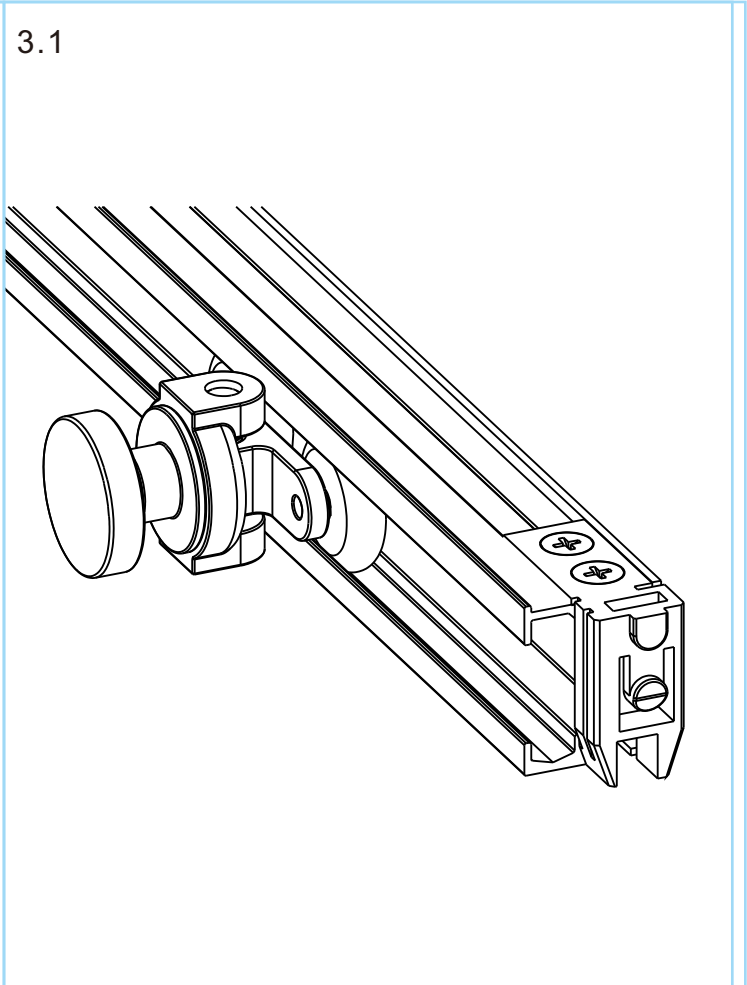
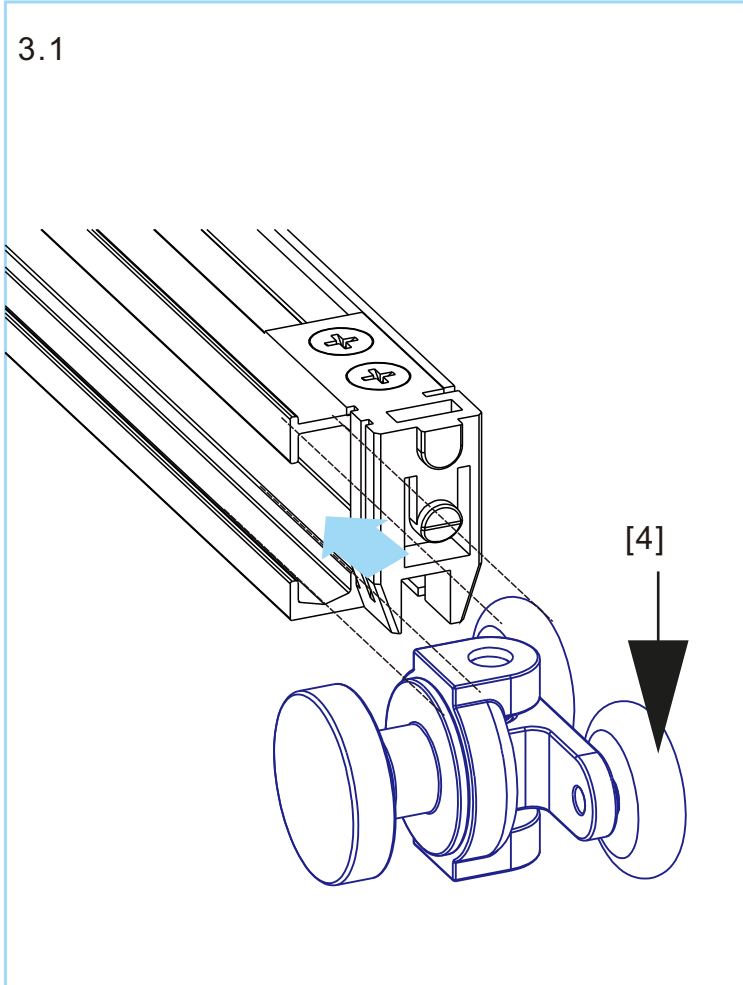
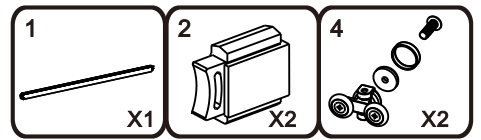


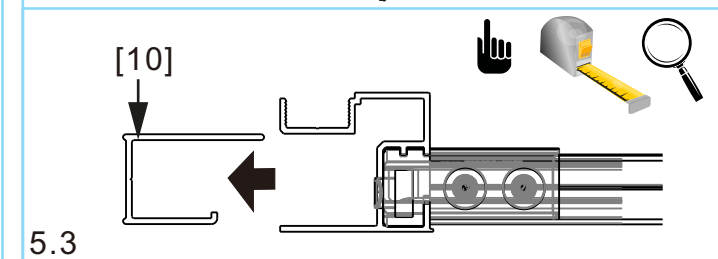
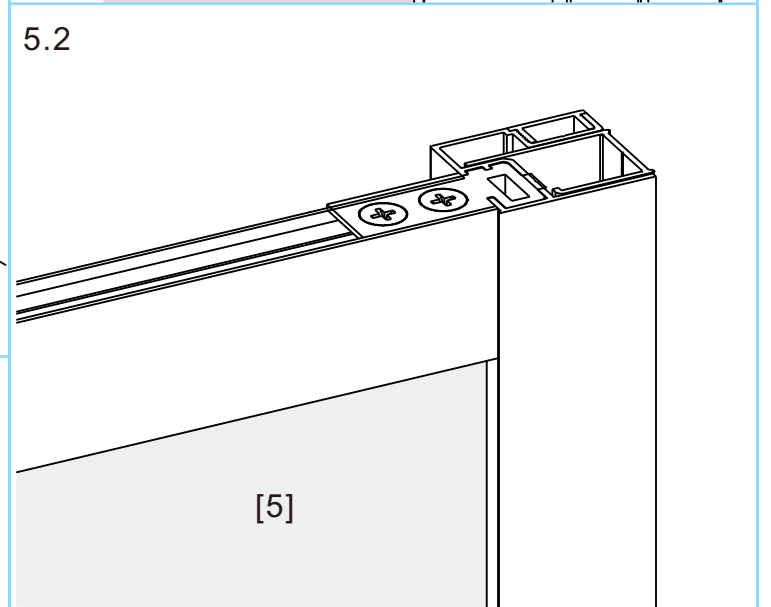
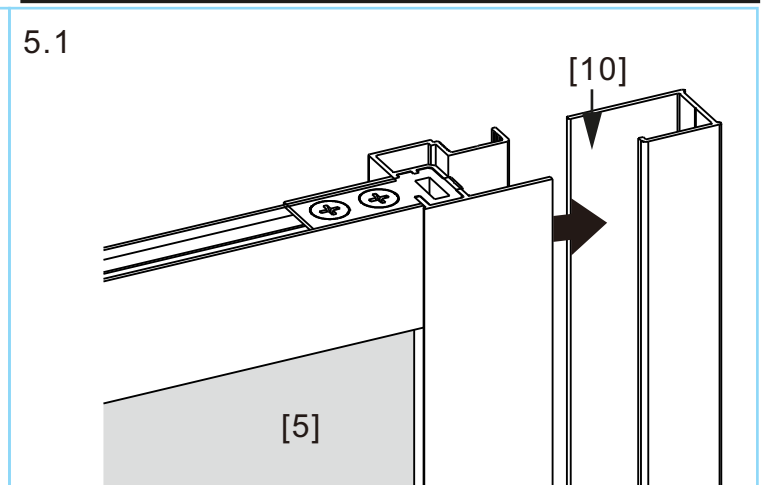
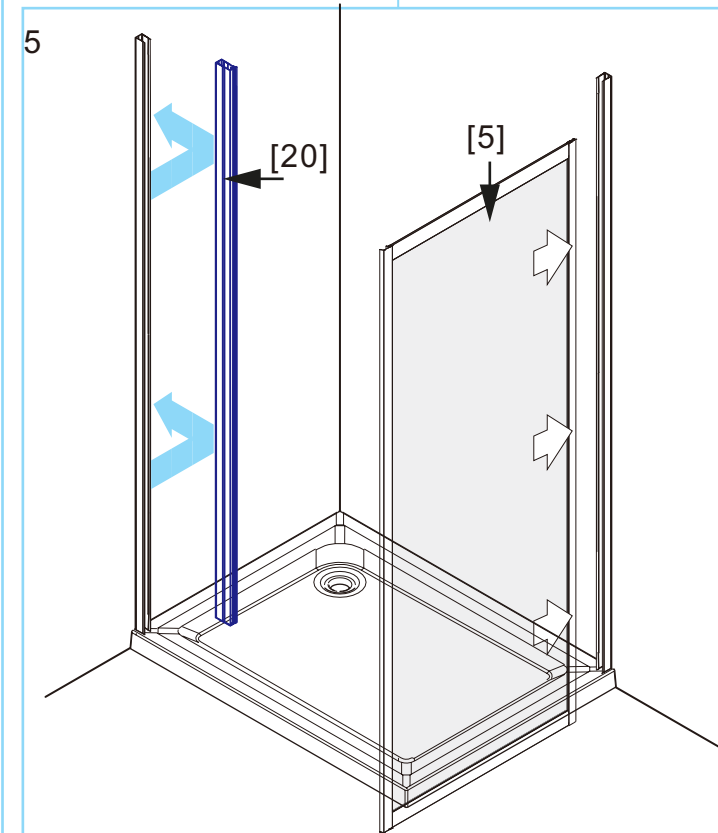
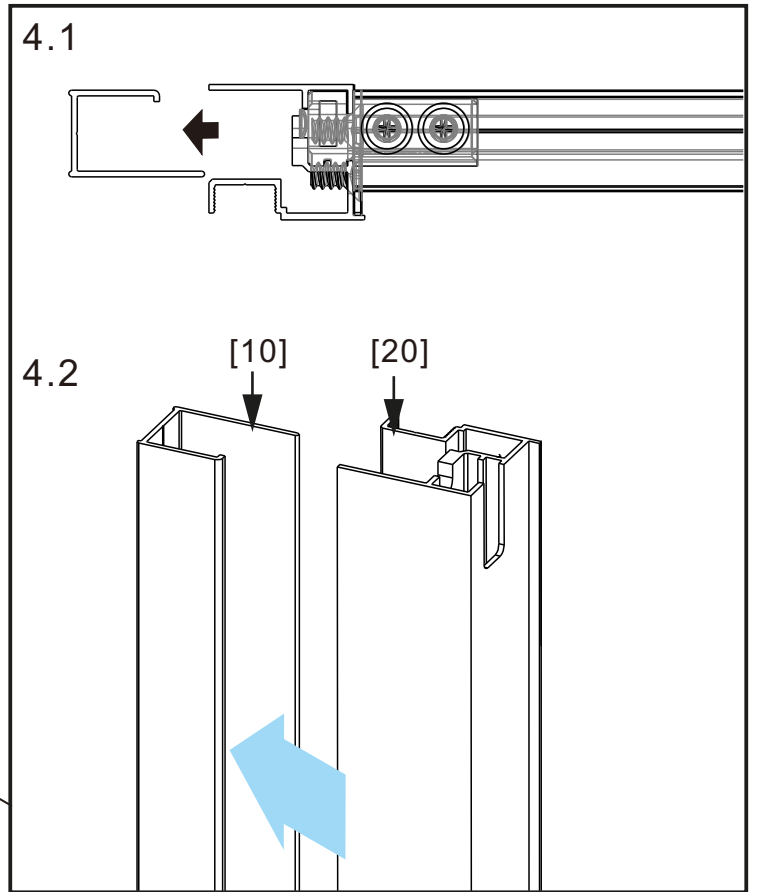
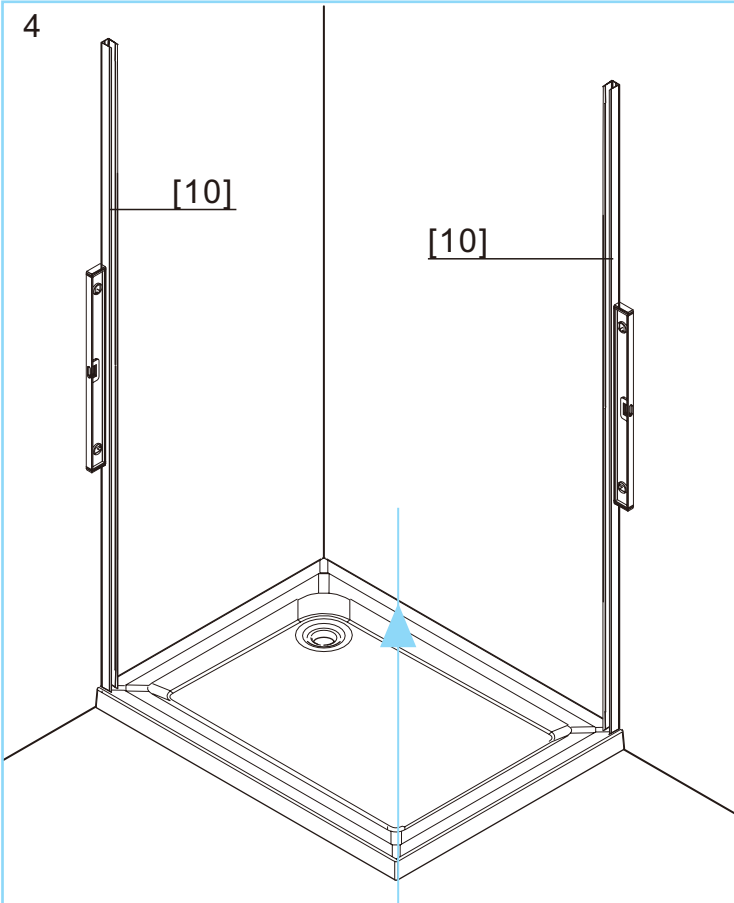
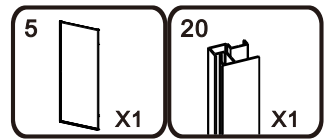
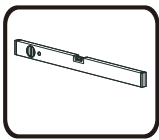


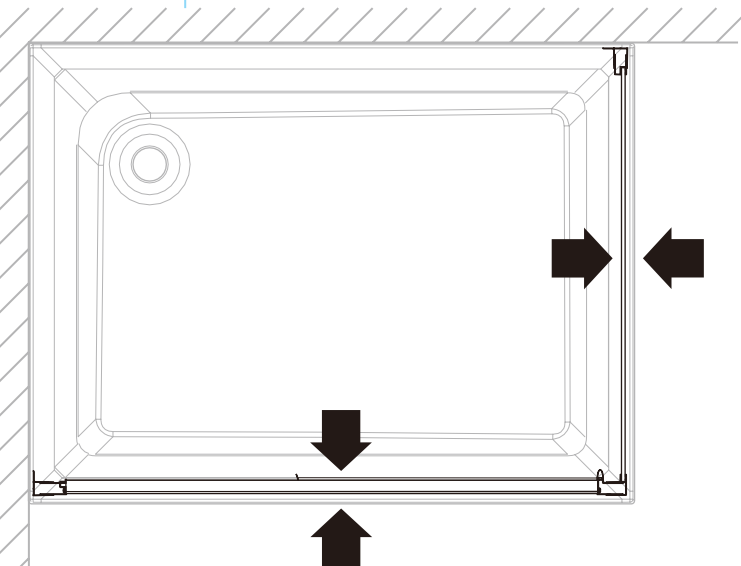
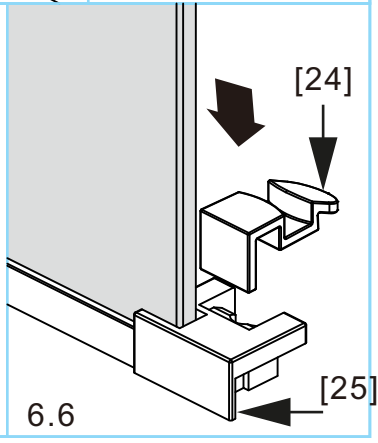
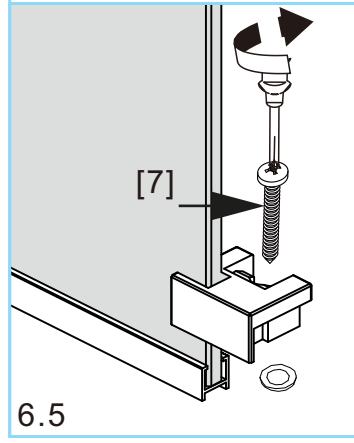
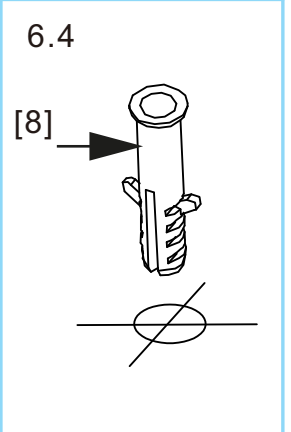
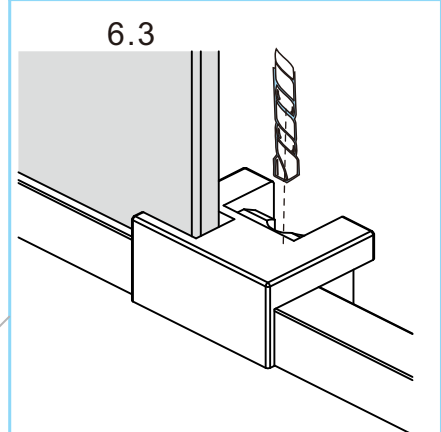
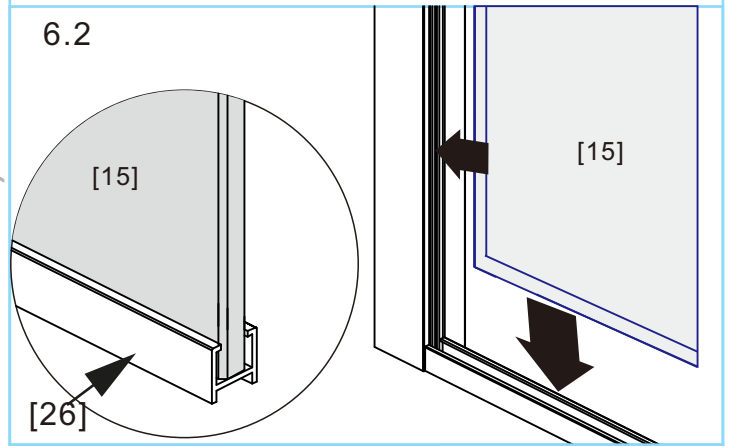
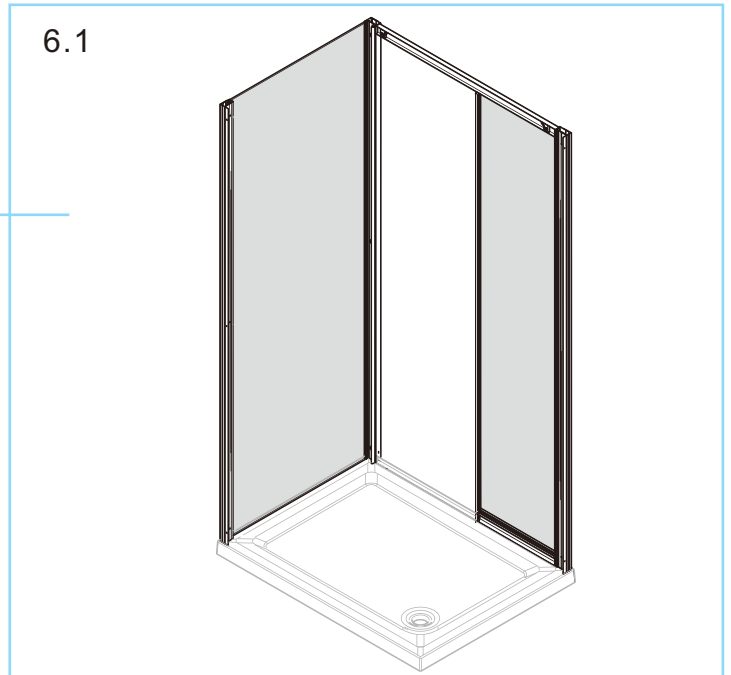
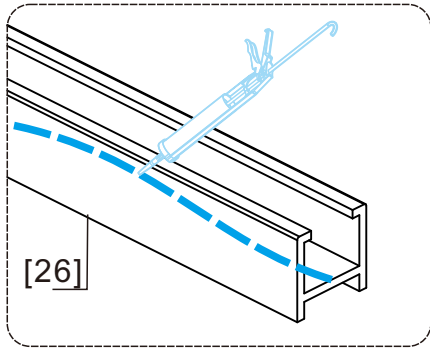
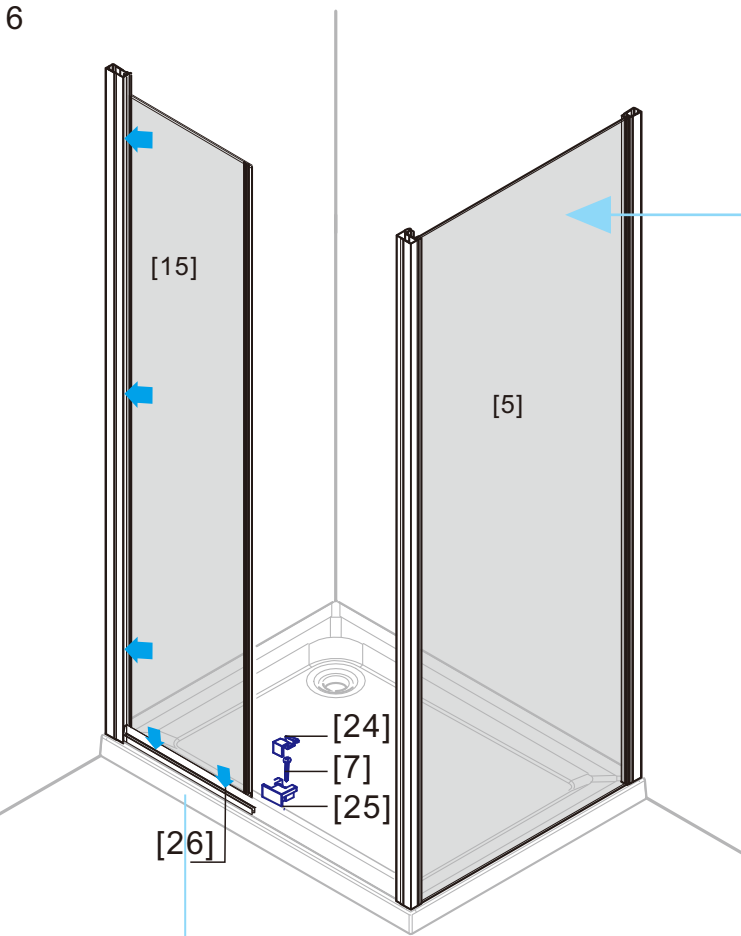
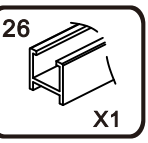
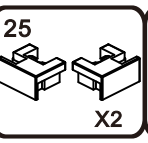
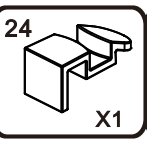
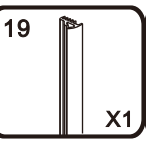
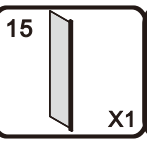
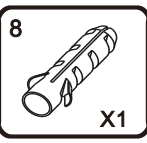
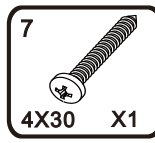
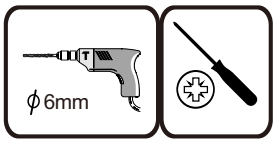


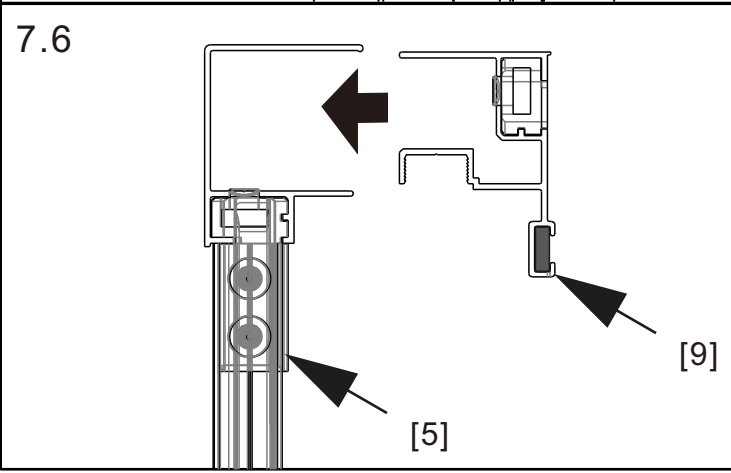
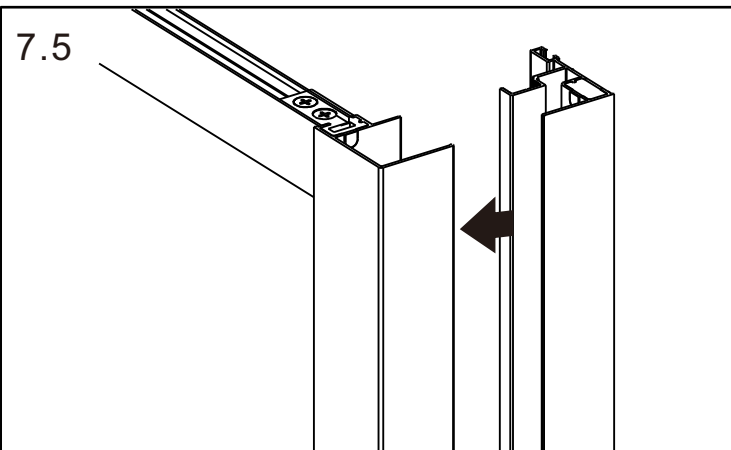
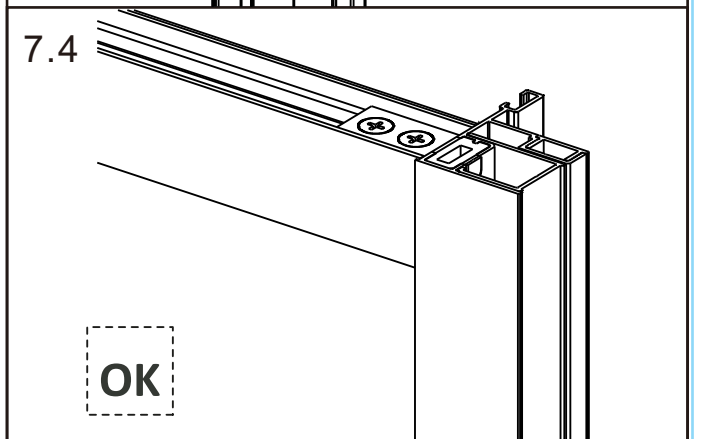
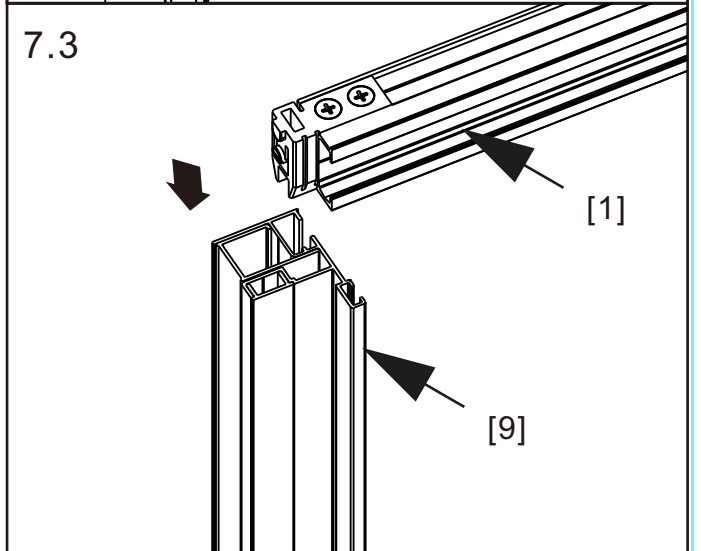
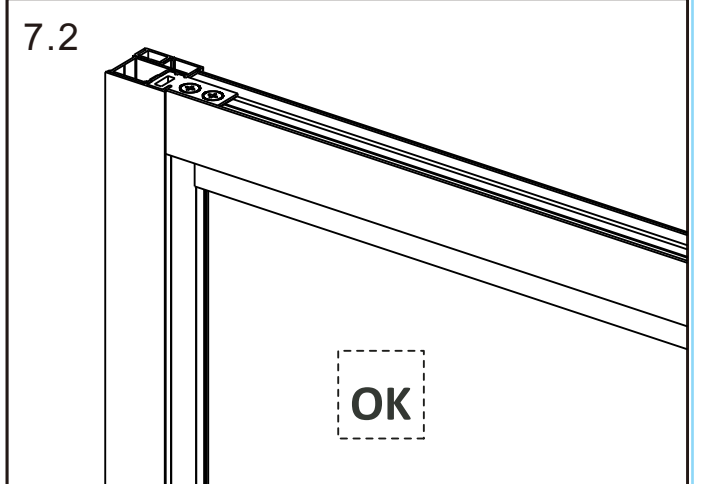
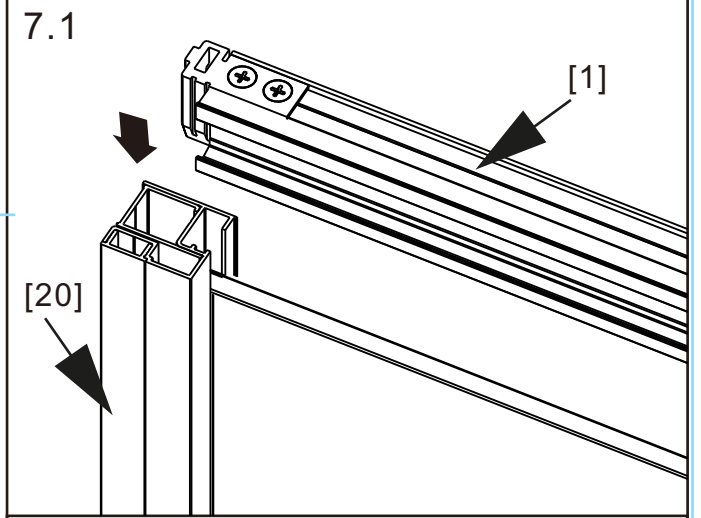
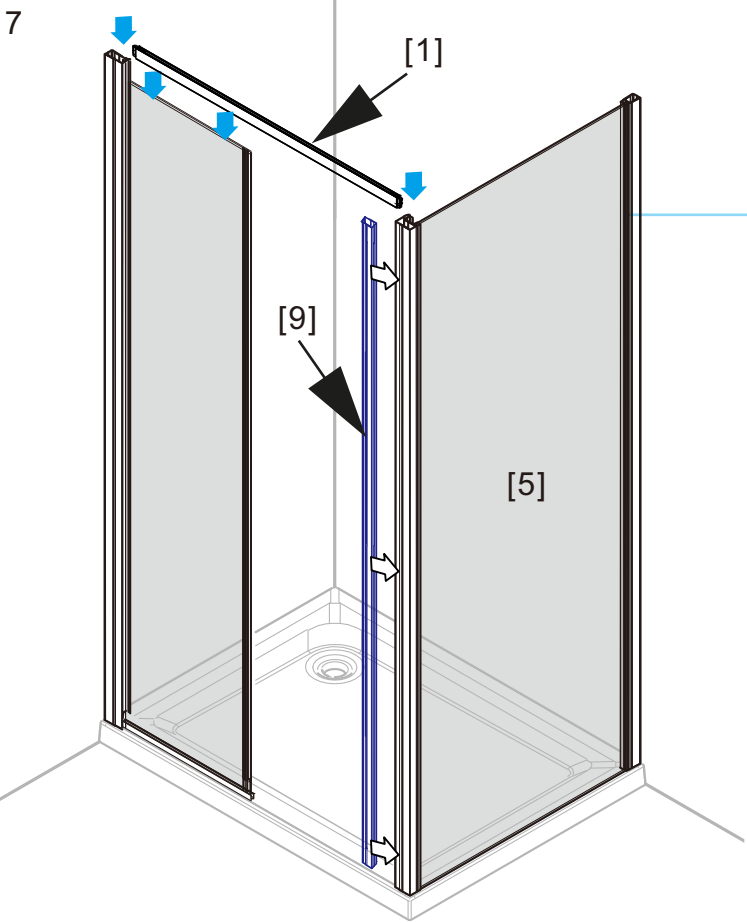
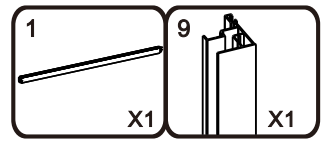
K/L	900/900	800/1000	800/1200	900/1200
X	855*	755*	755*	855*
Y	855*	955*	1155*	1155*



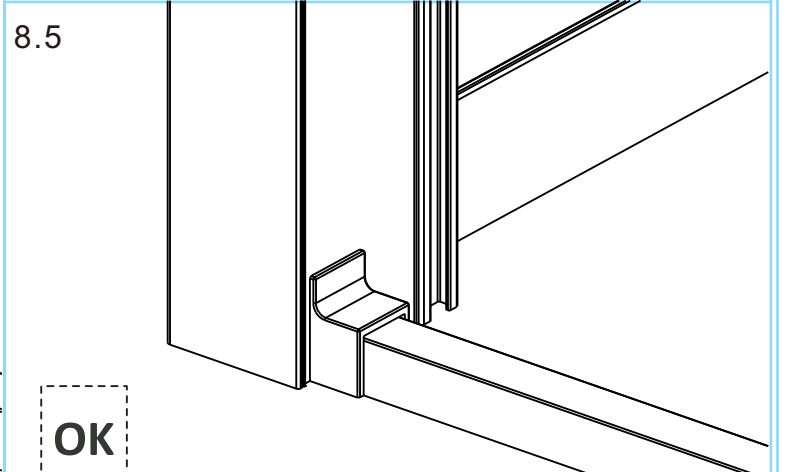
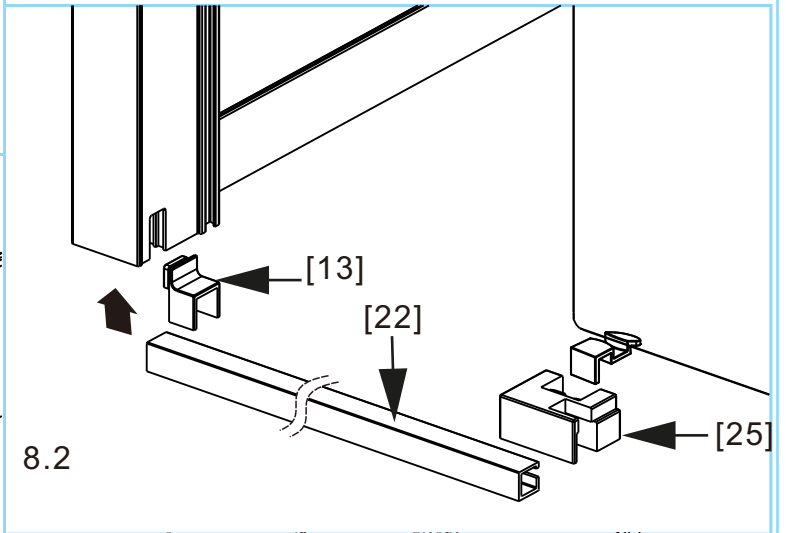
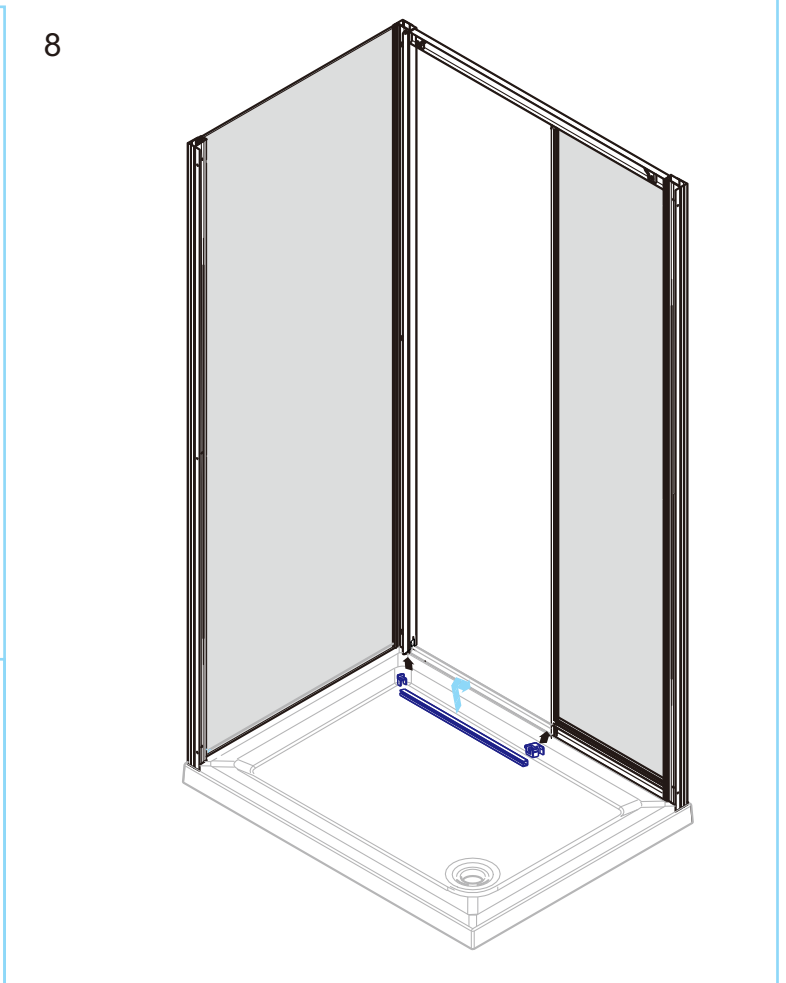
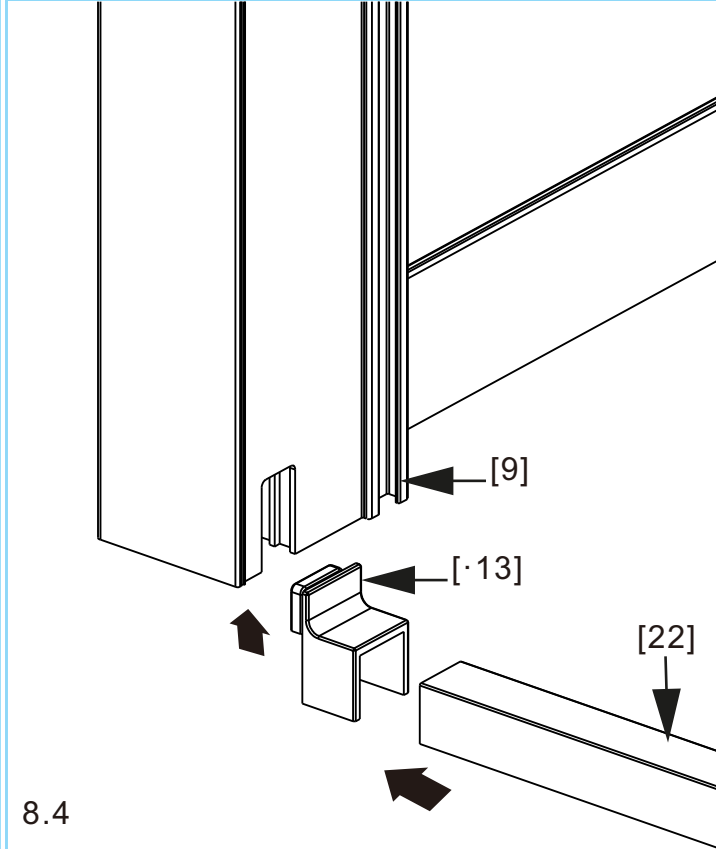
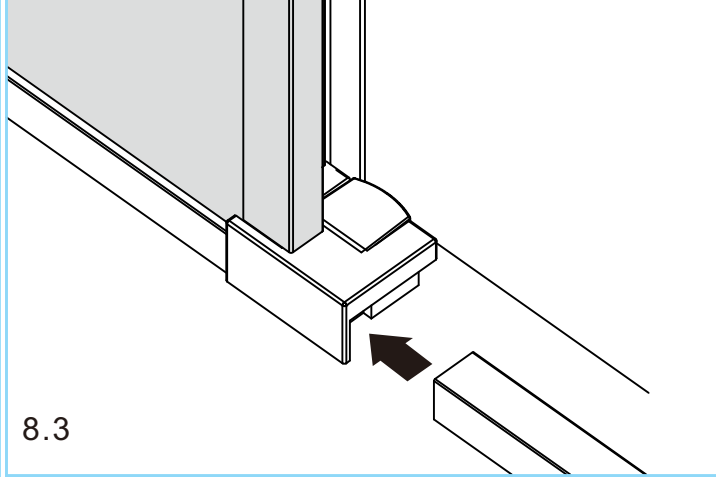
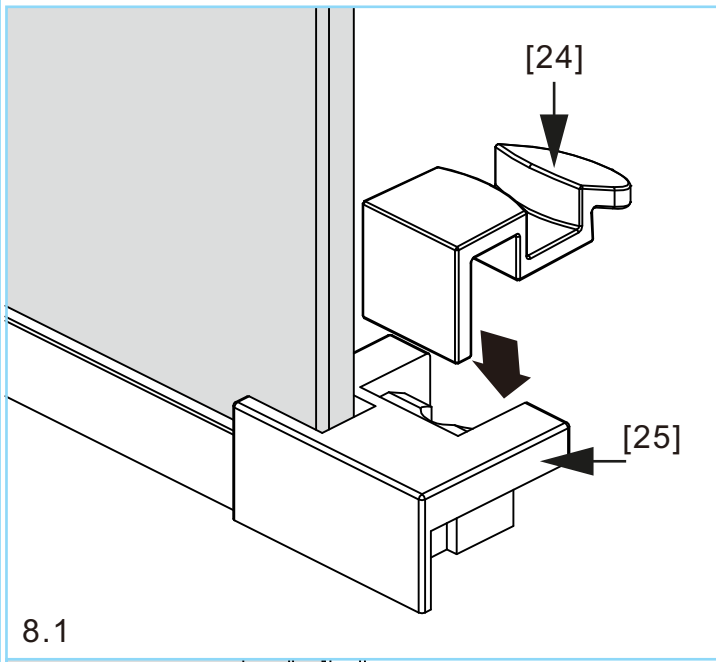
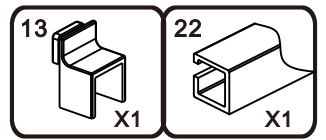




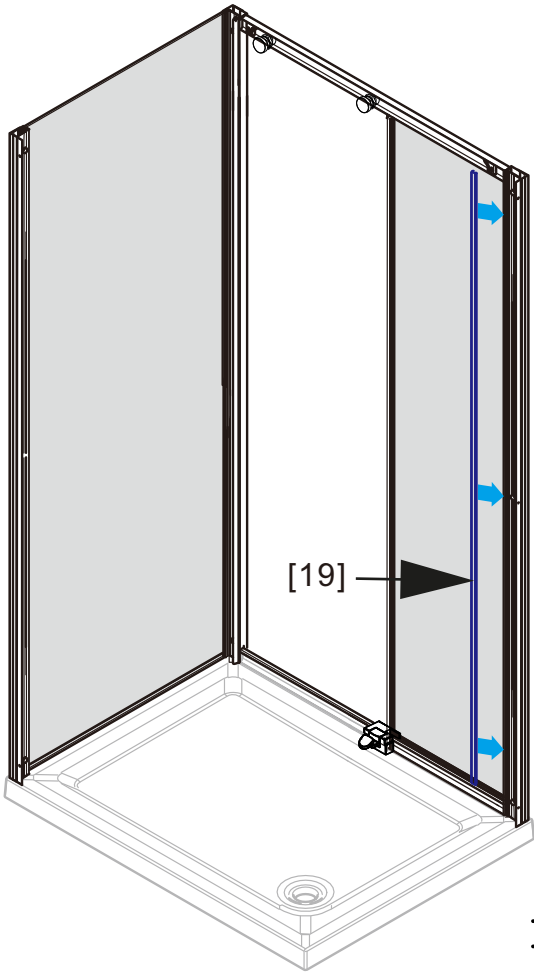






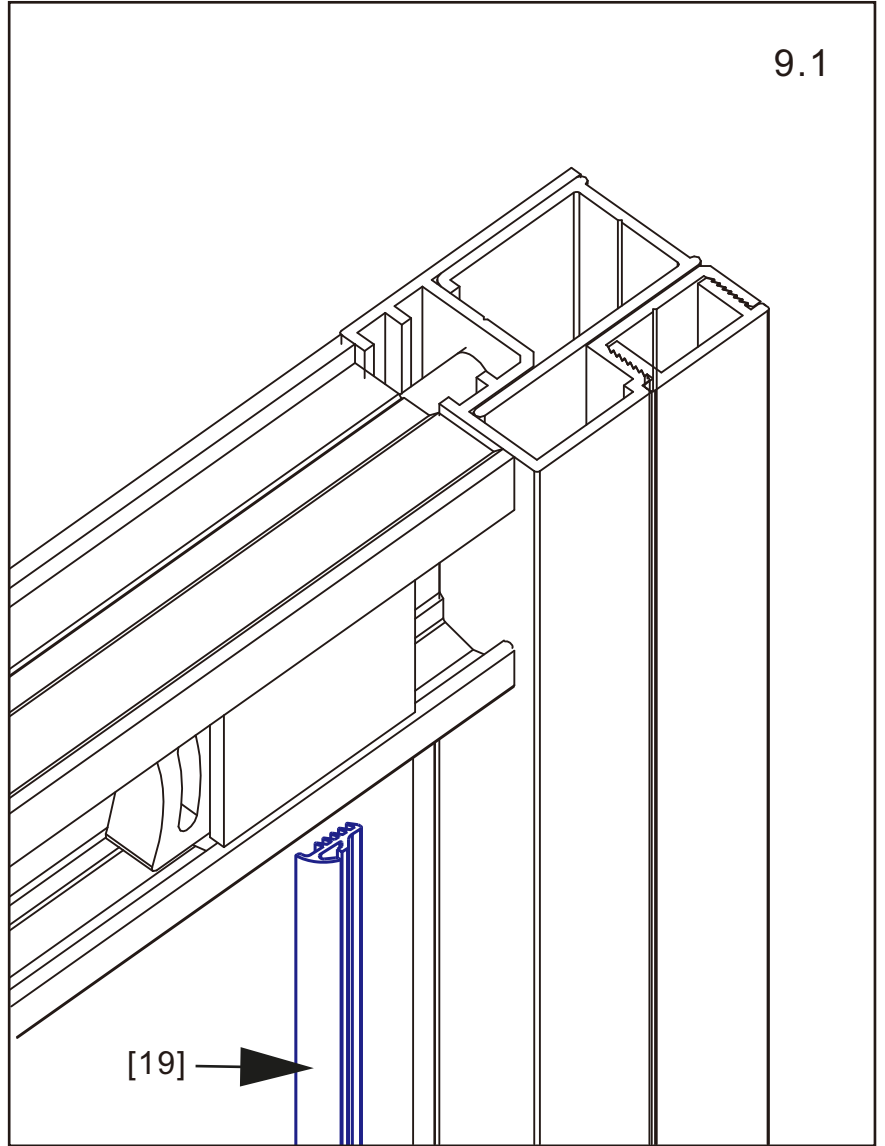


9

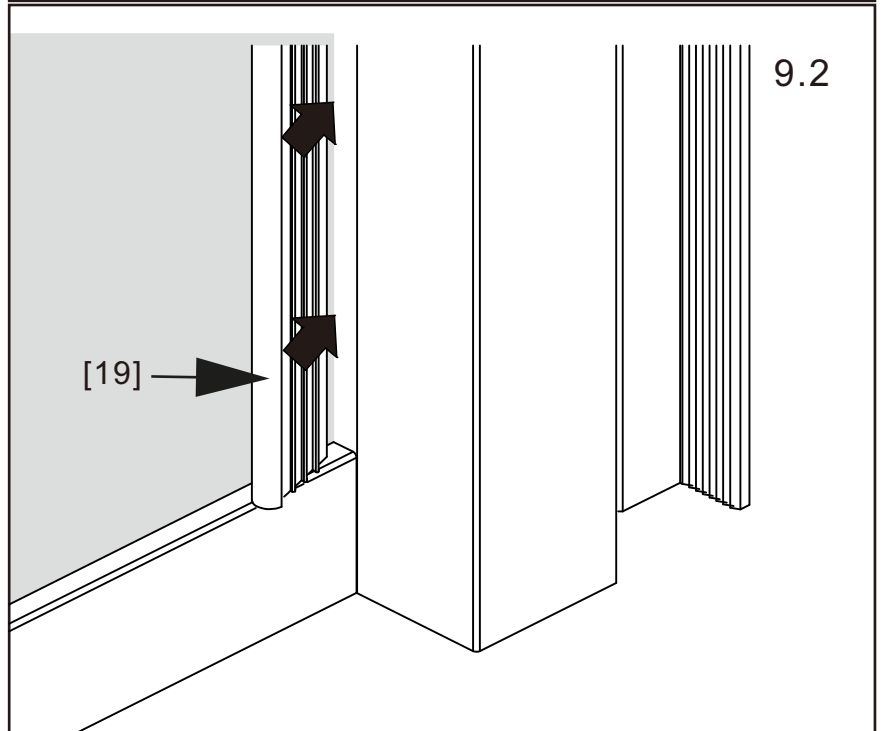


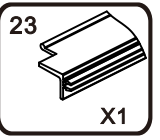
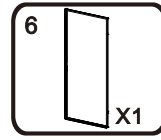
:

9.1

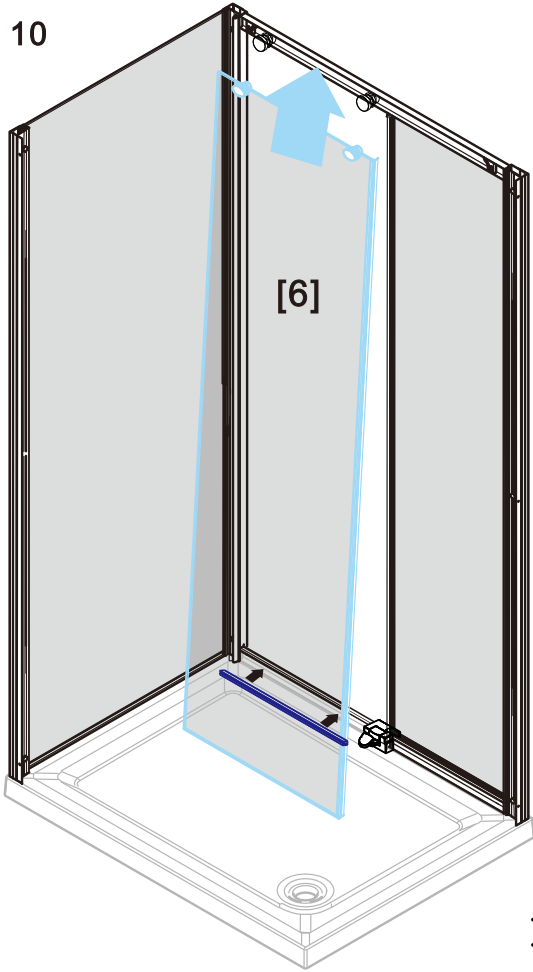


9.2

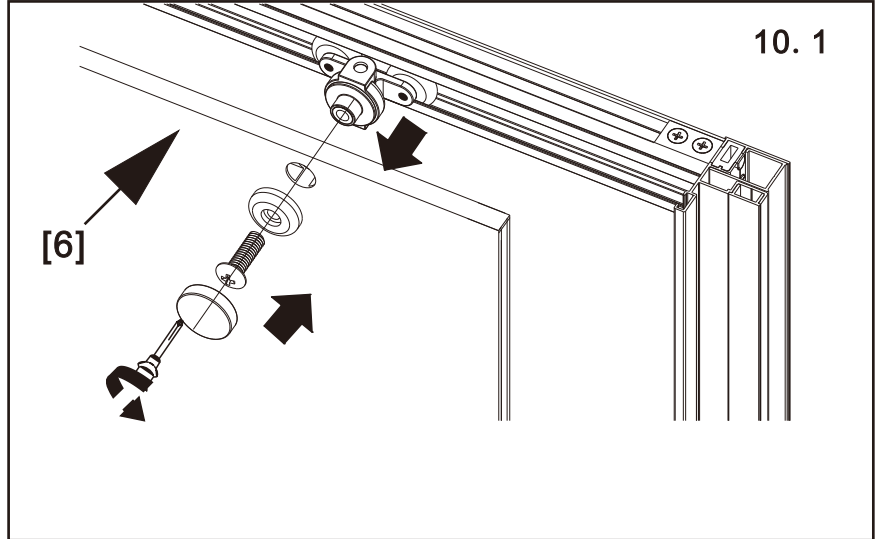




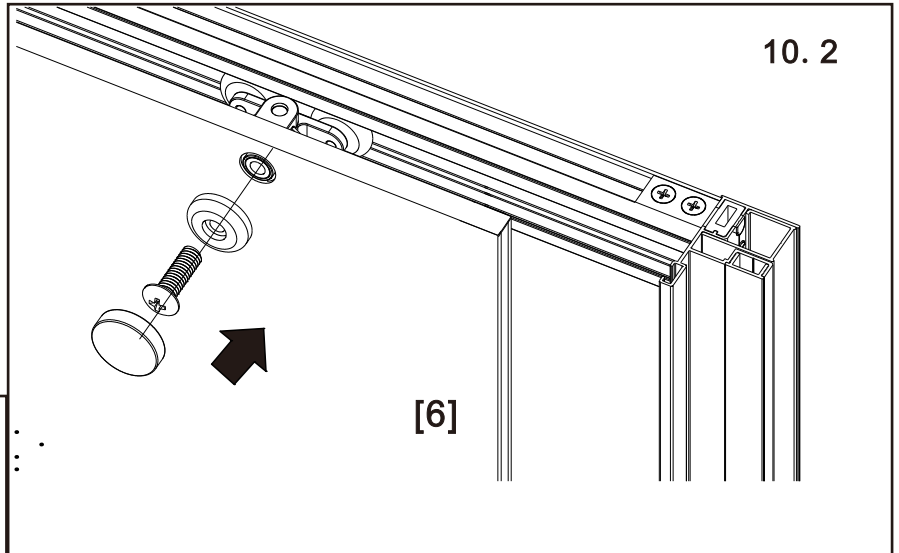
10



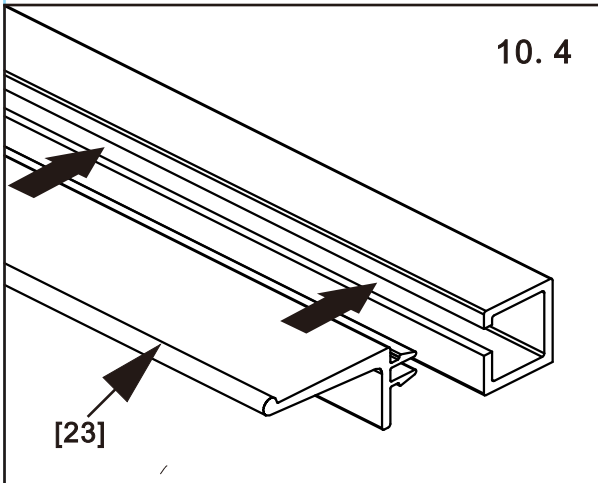
10.1



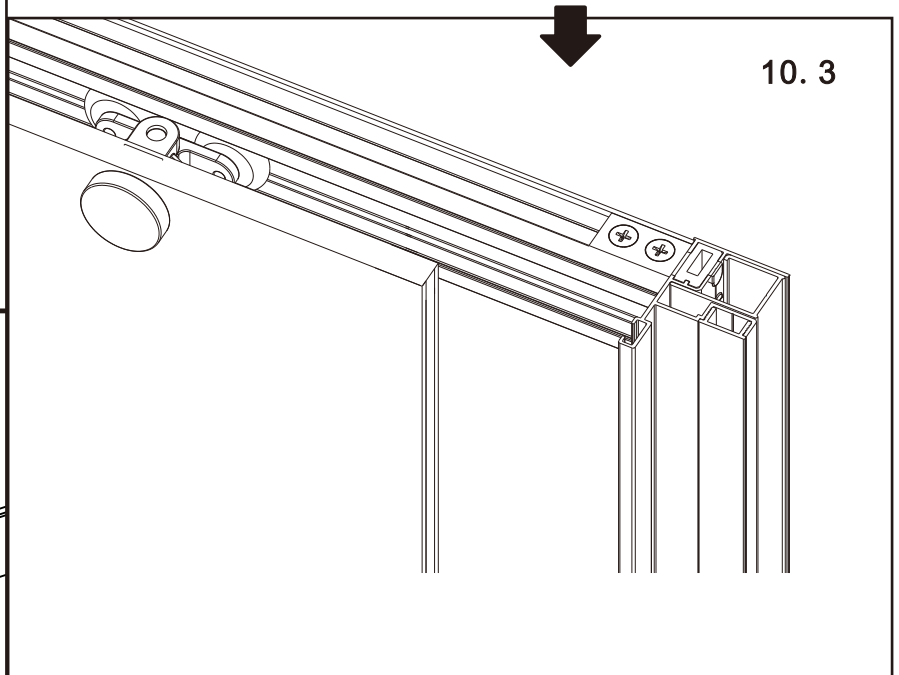
10.2



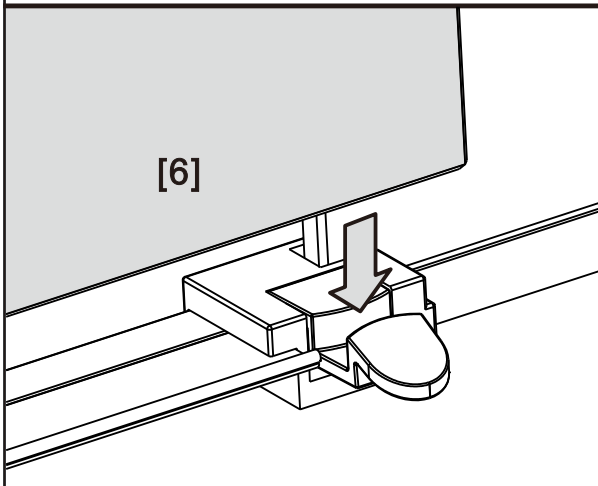
10.4

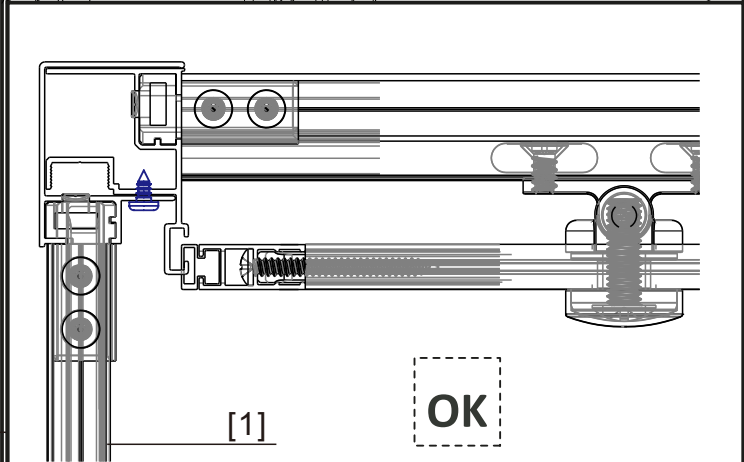
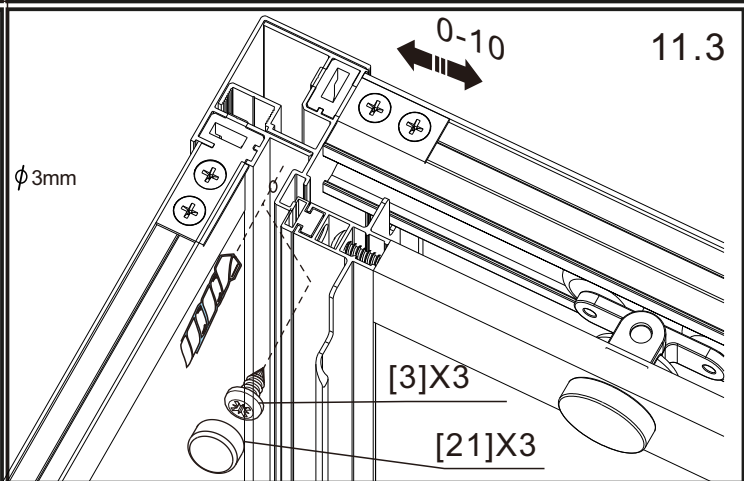
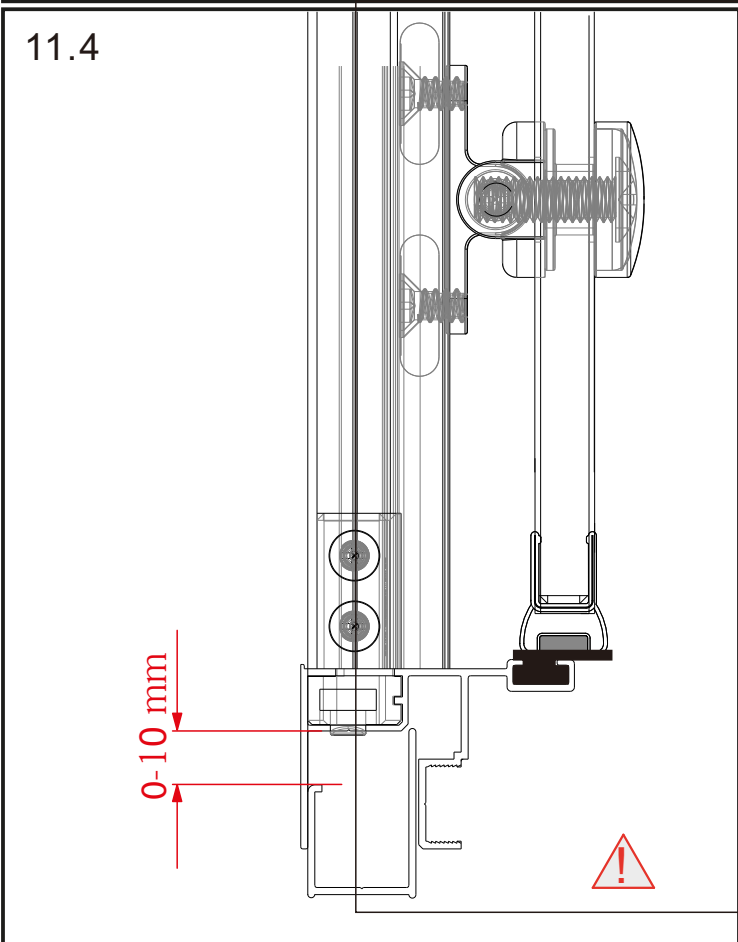
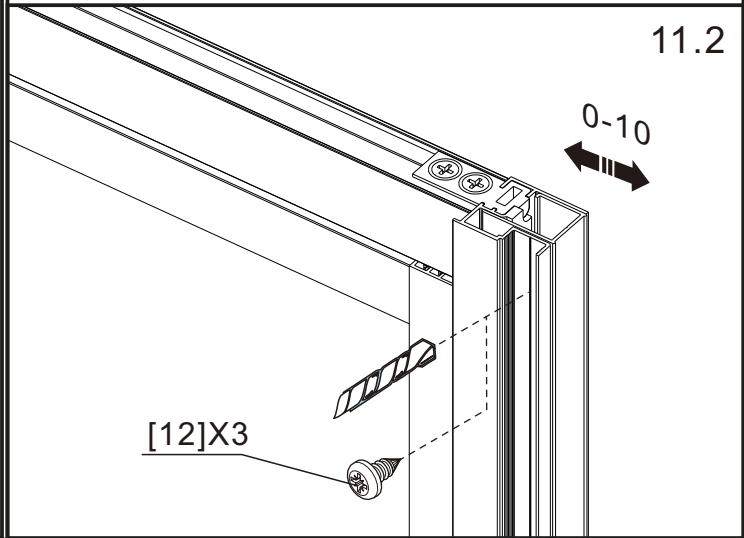
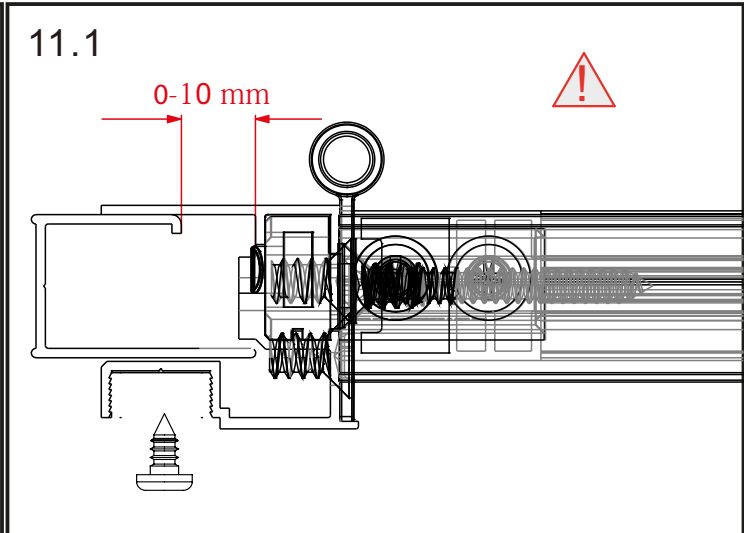
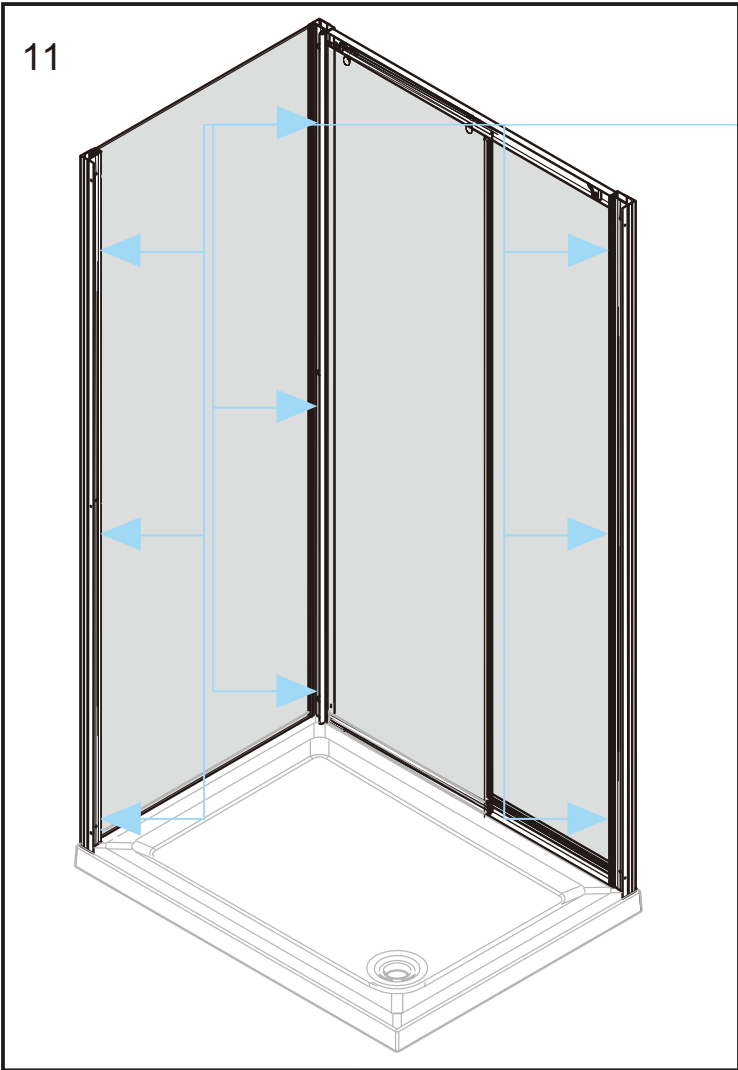
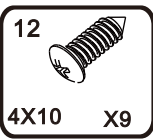
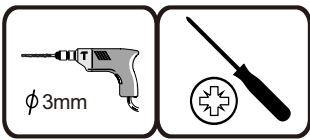


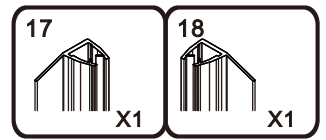
10.3



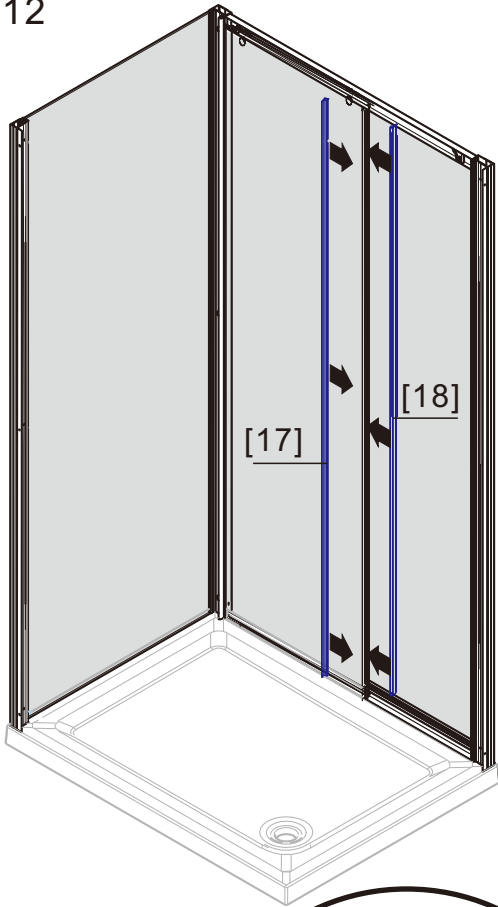
[6]



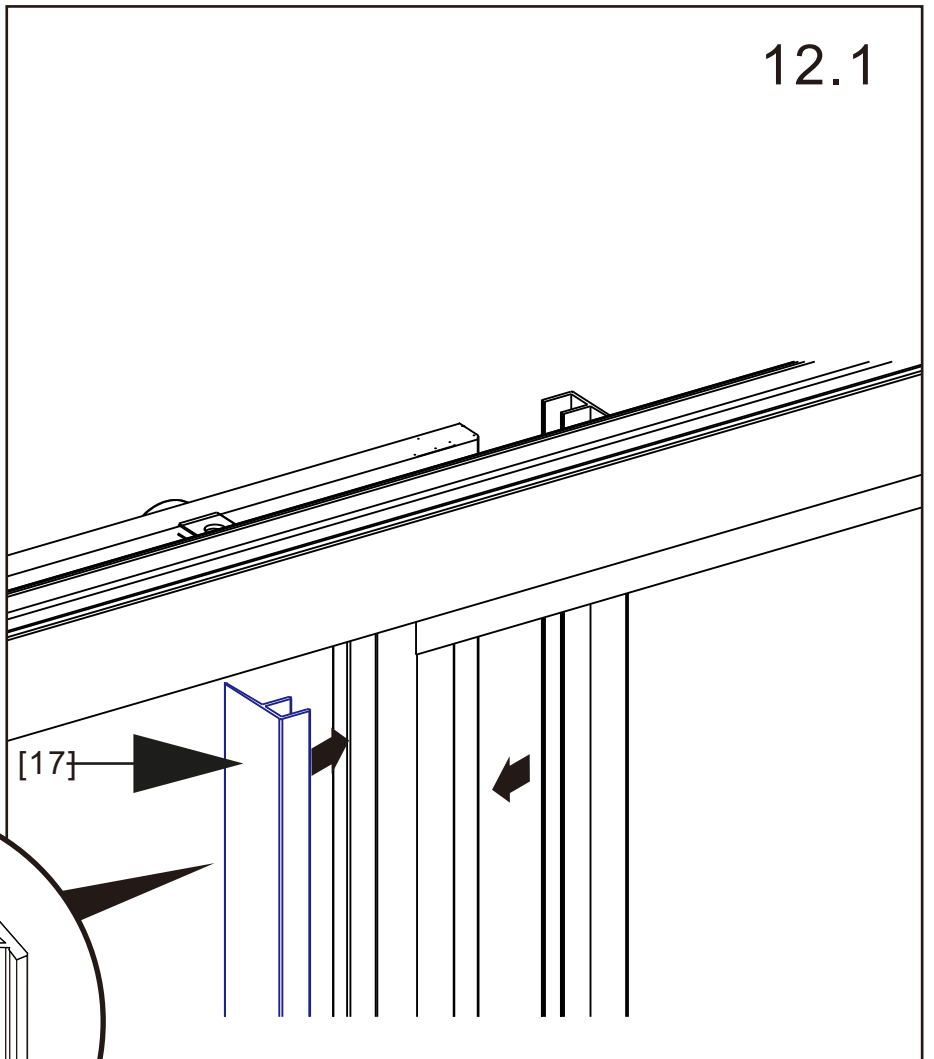




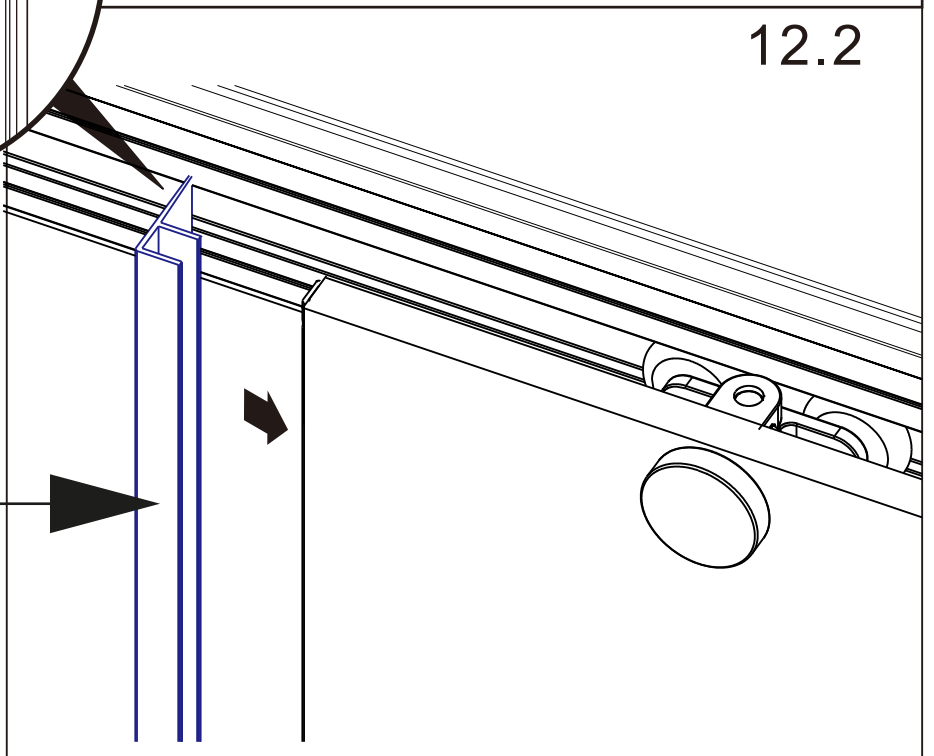
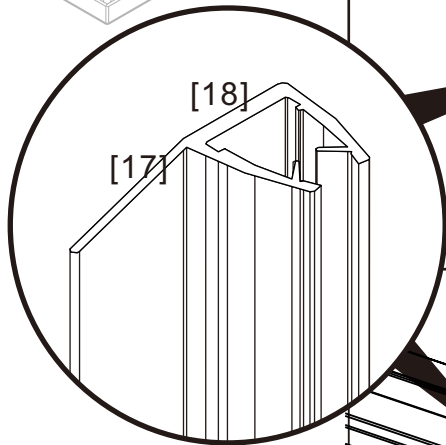
12

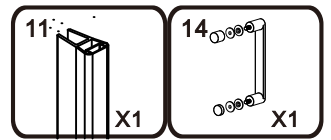


12.1

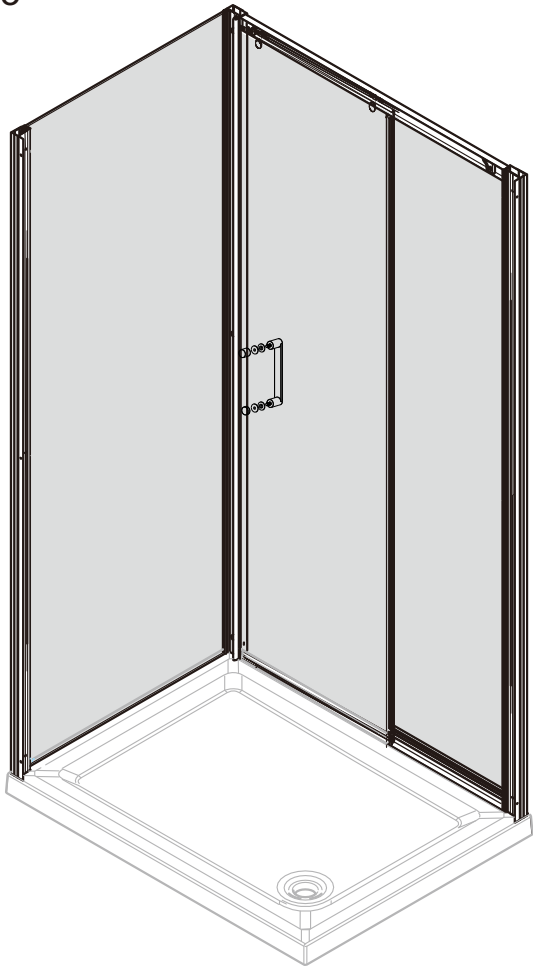


12.2

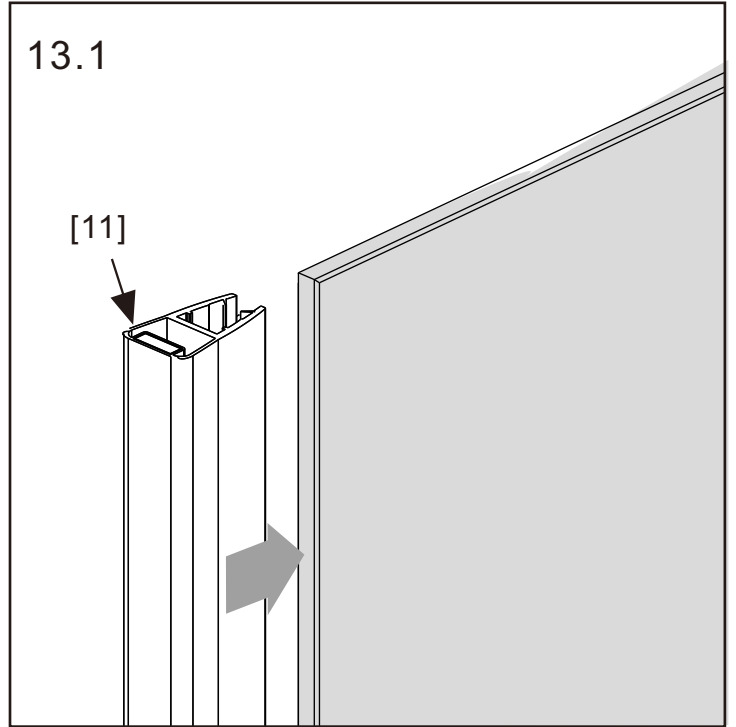




13

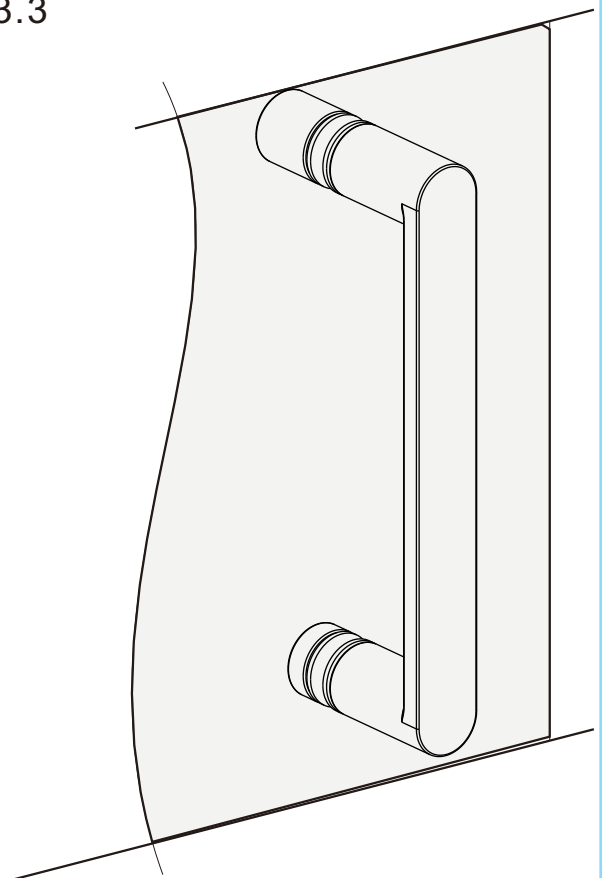
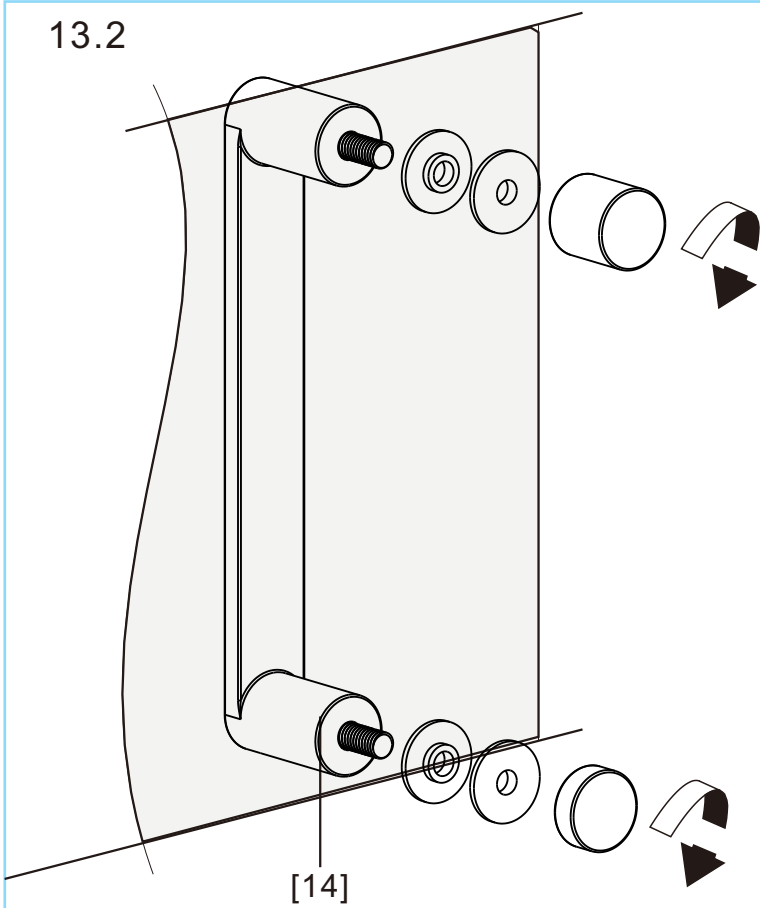


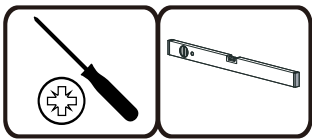
13.1



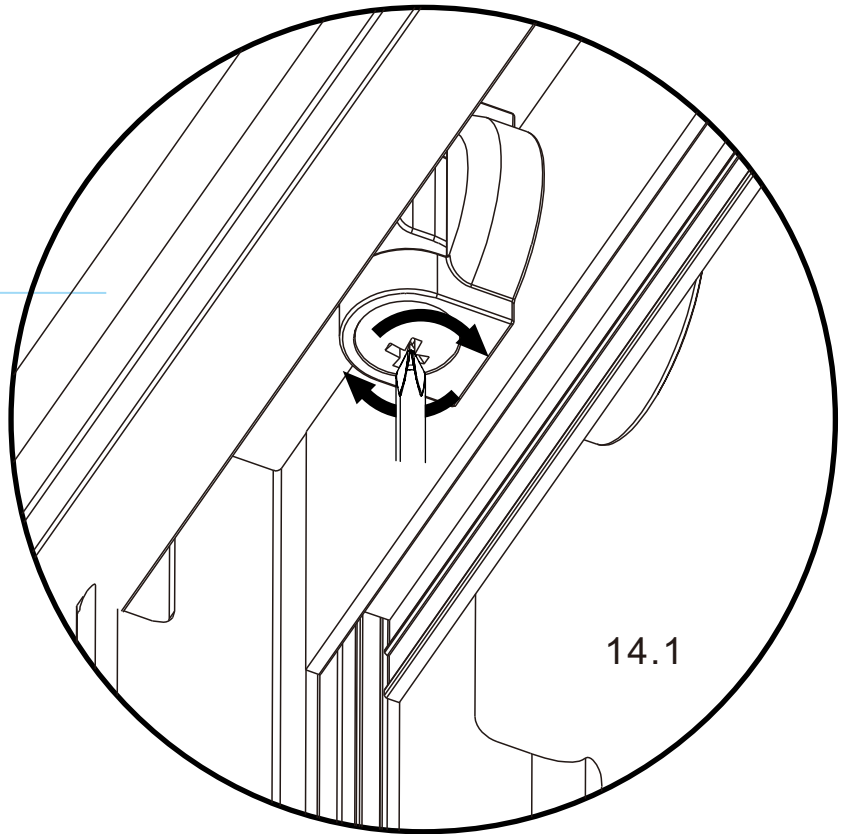
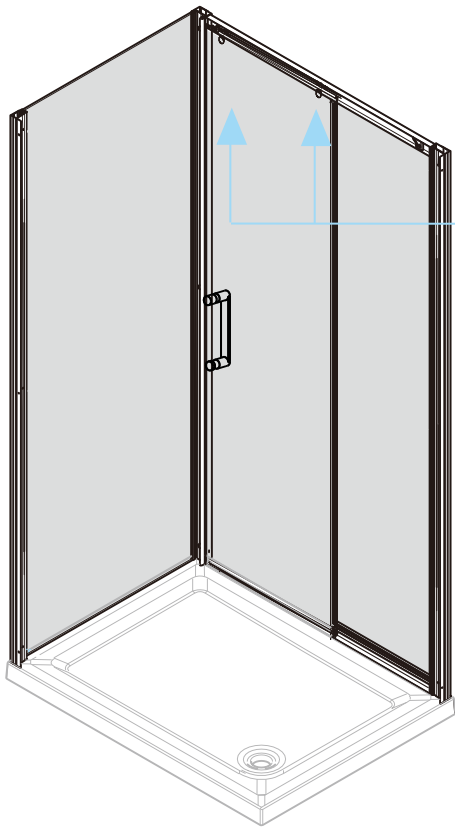
13.2

13.3

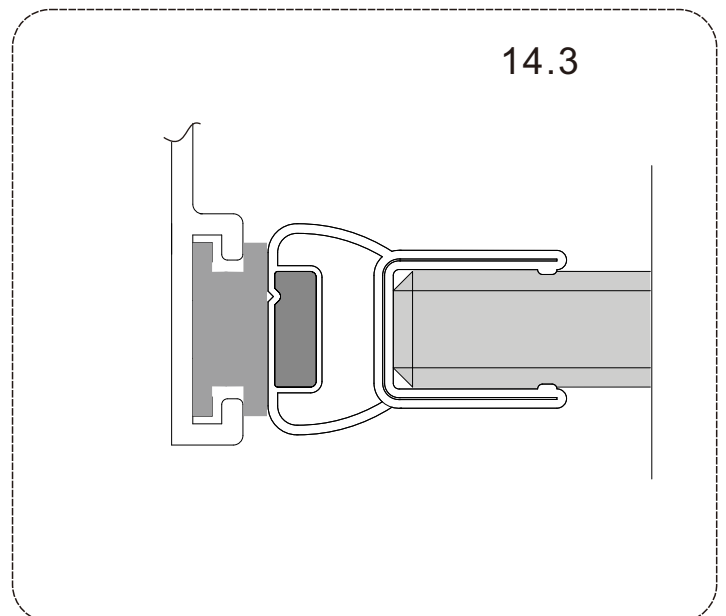
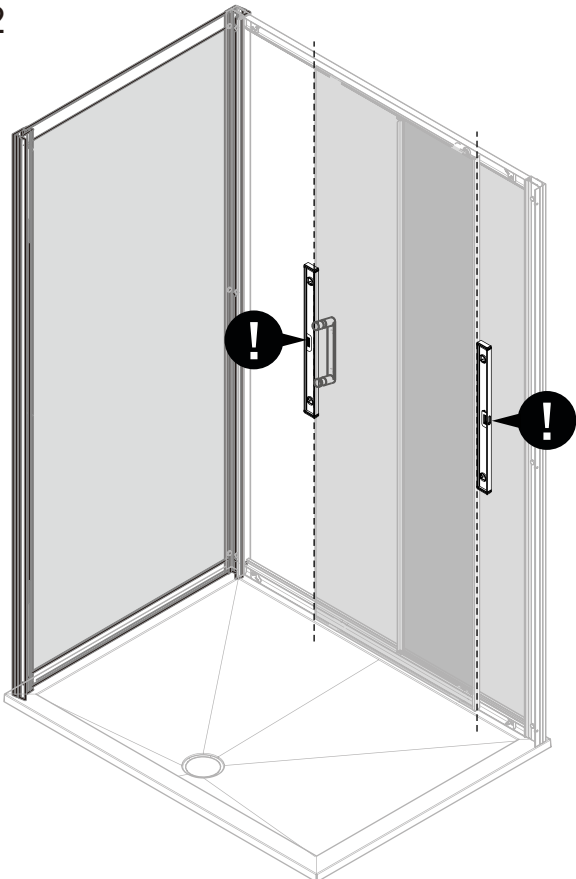


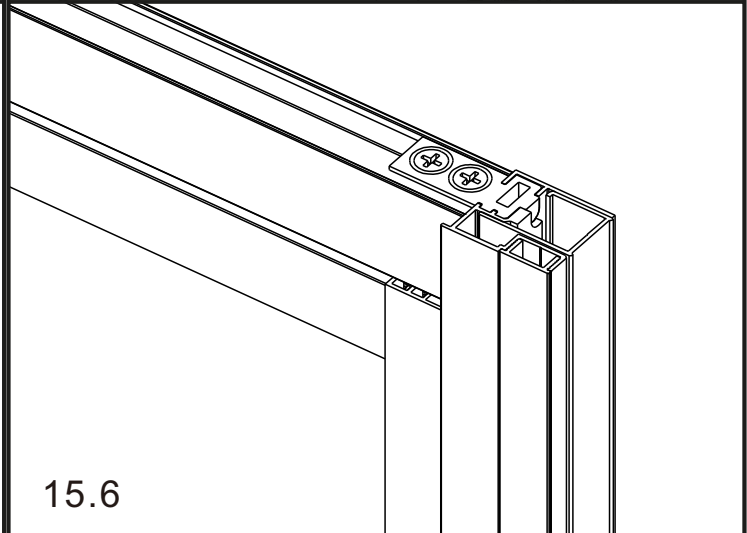
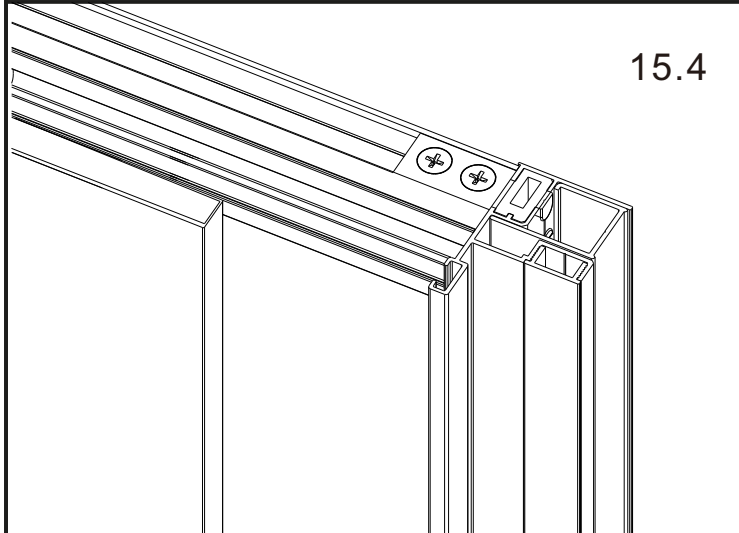
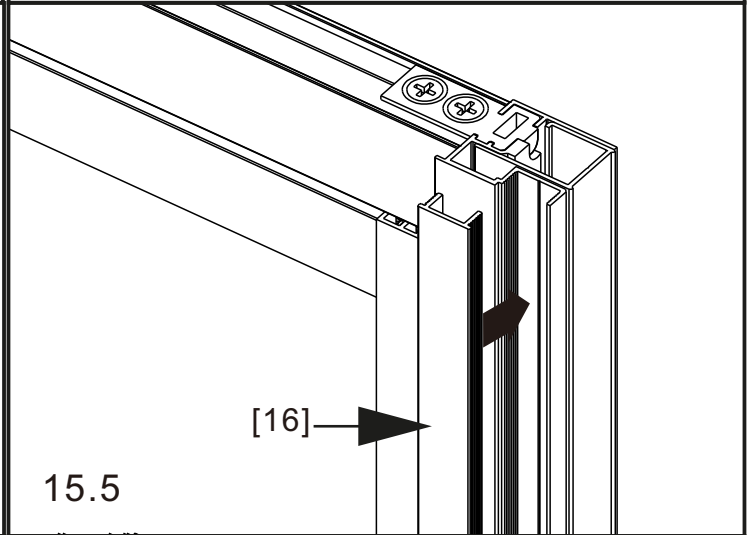
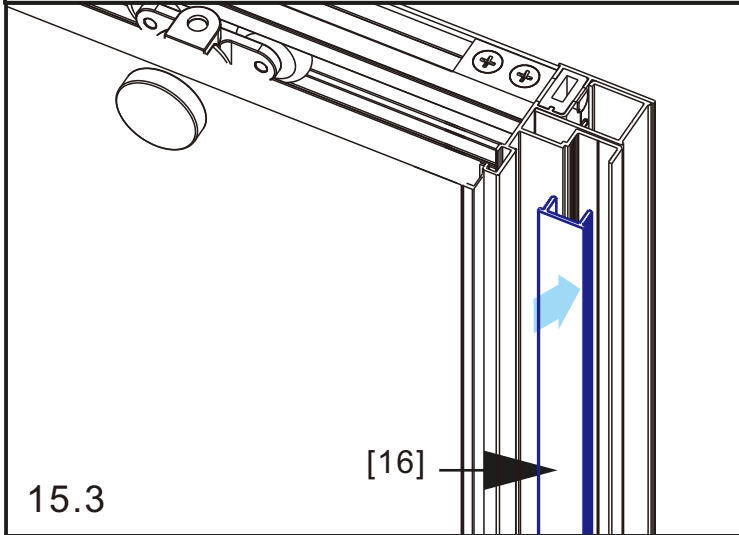
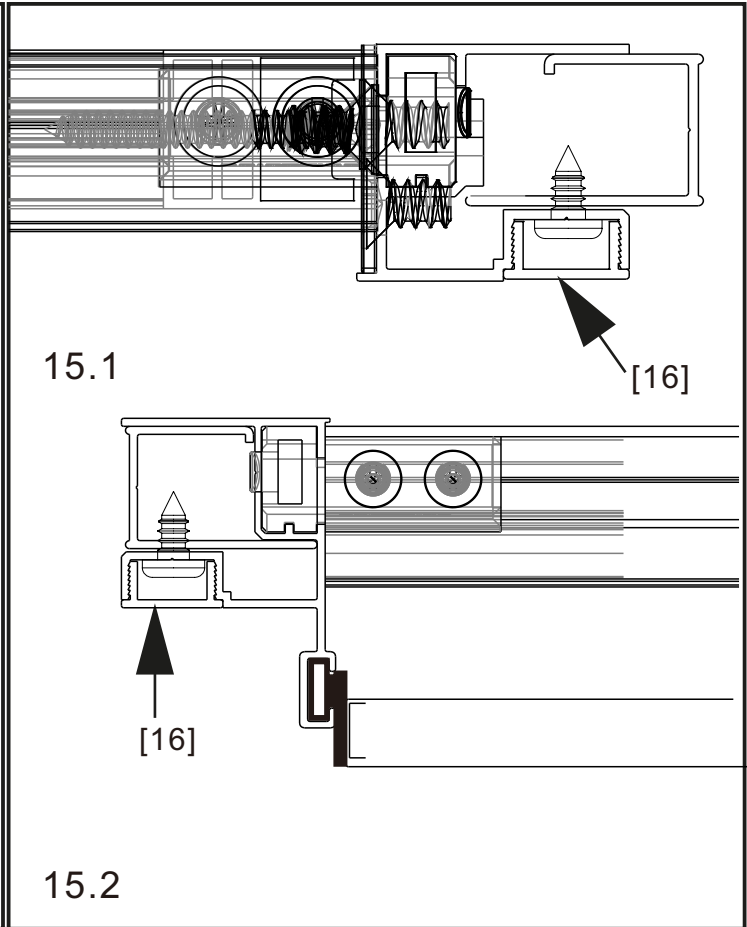
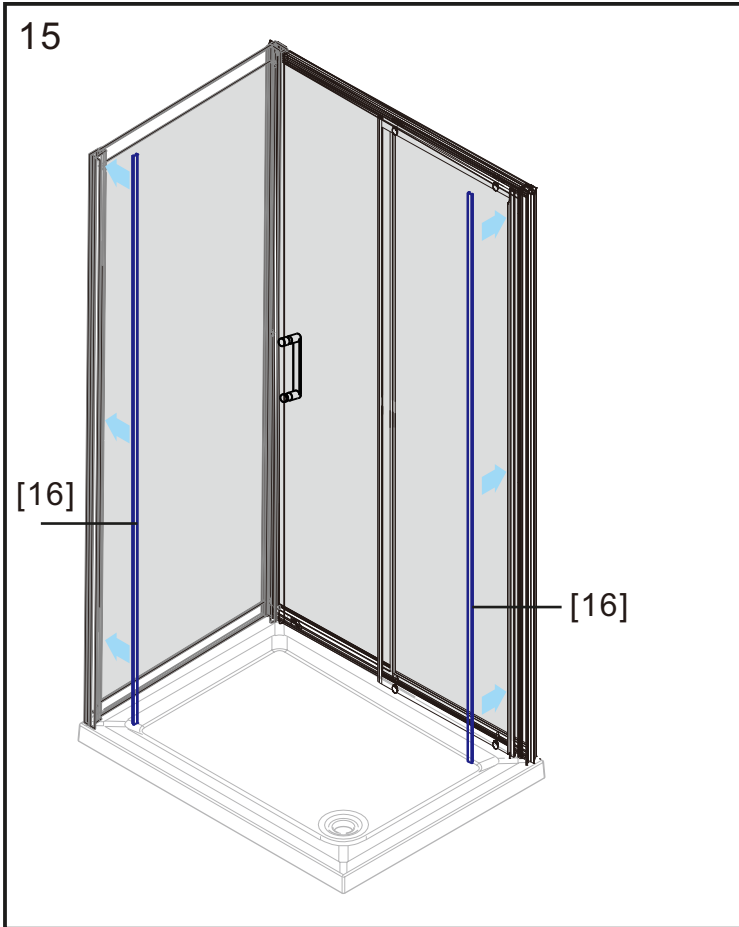
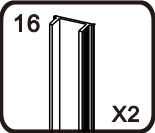


14

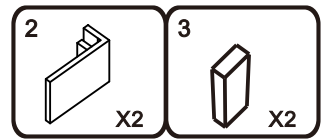
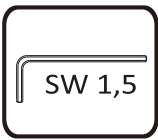


14.2

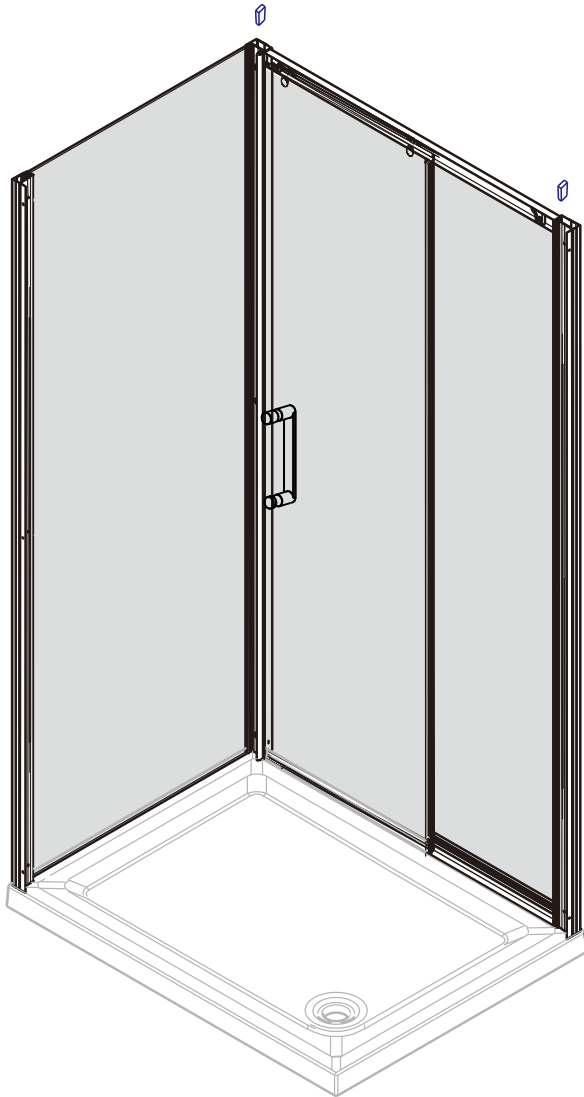




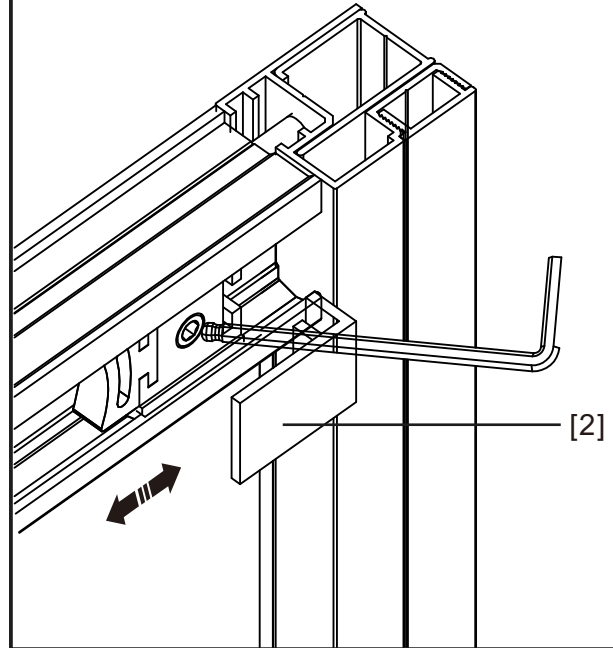




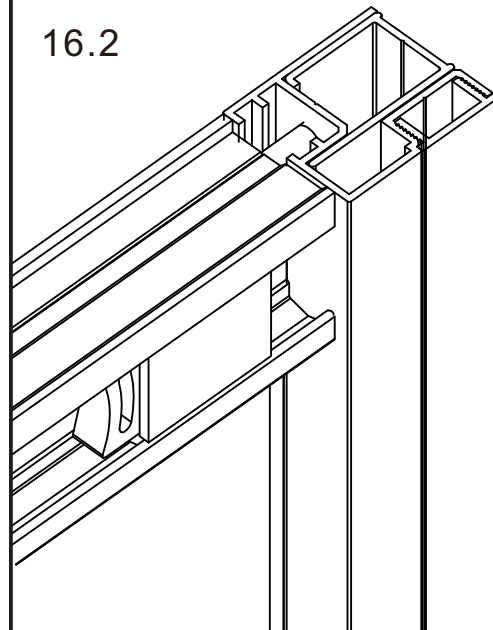
16



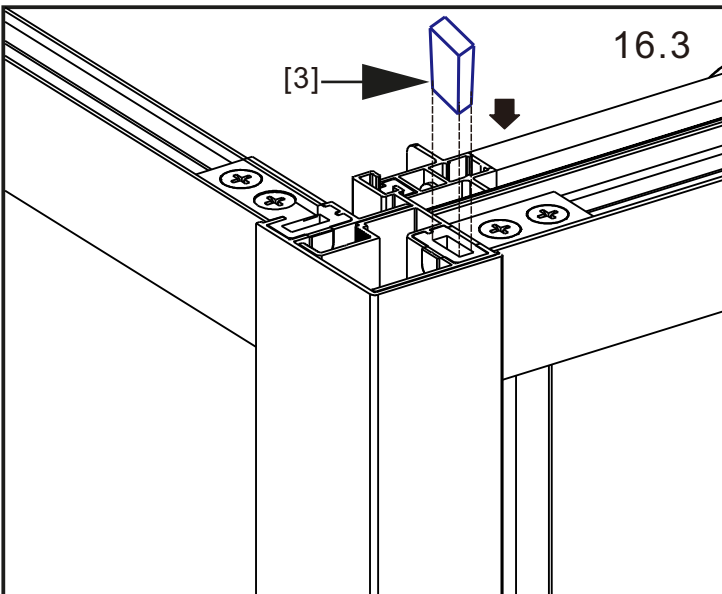
16.1



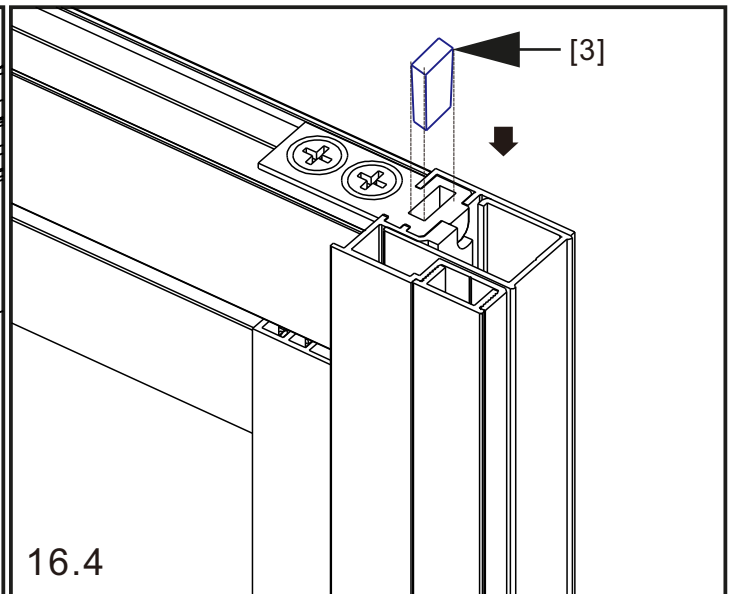
16.2



16.3

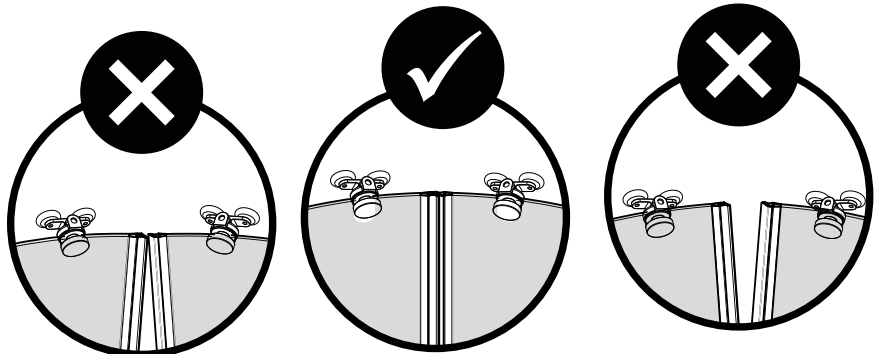
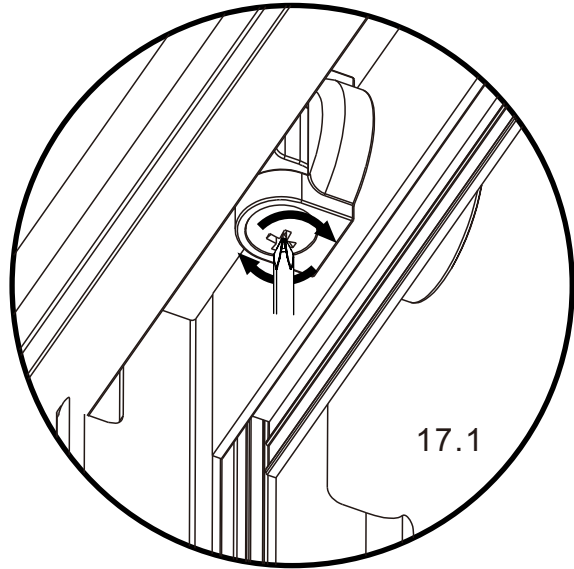
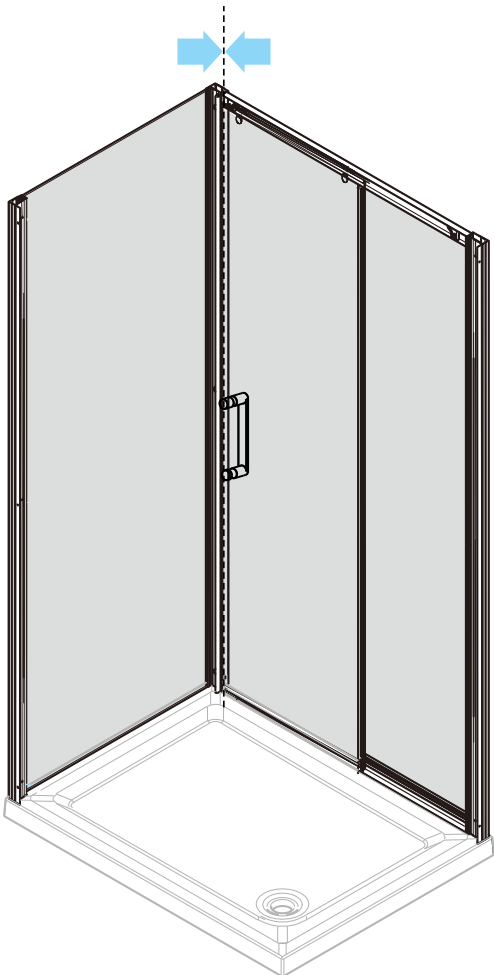
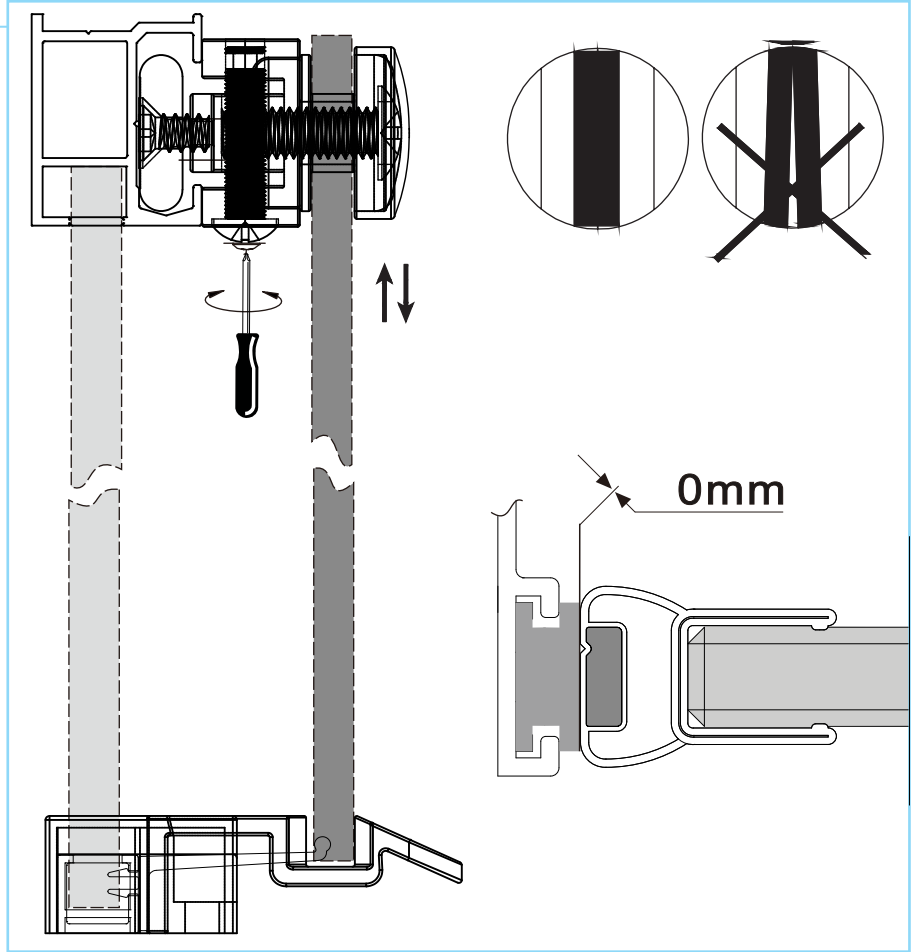
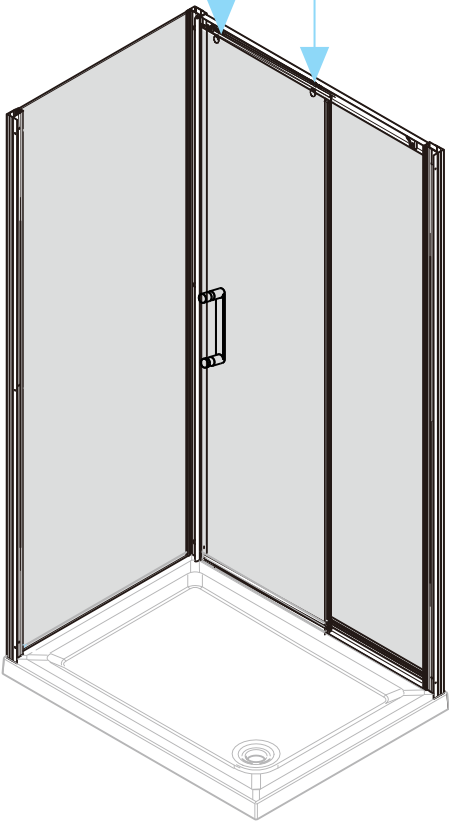


16.4





17





18

