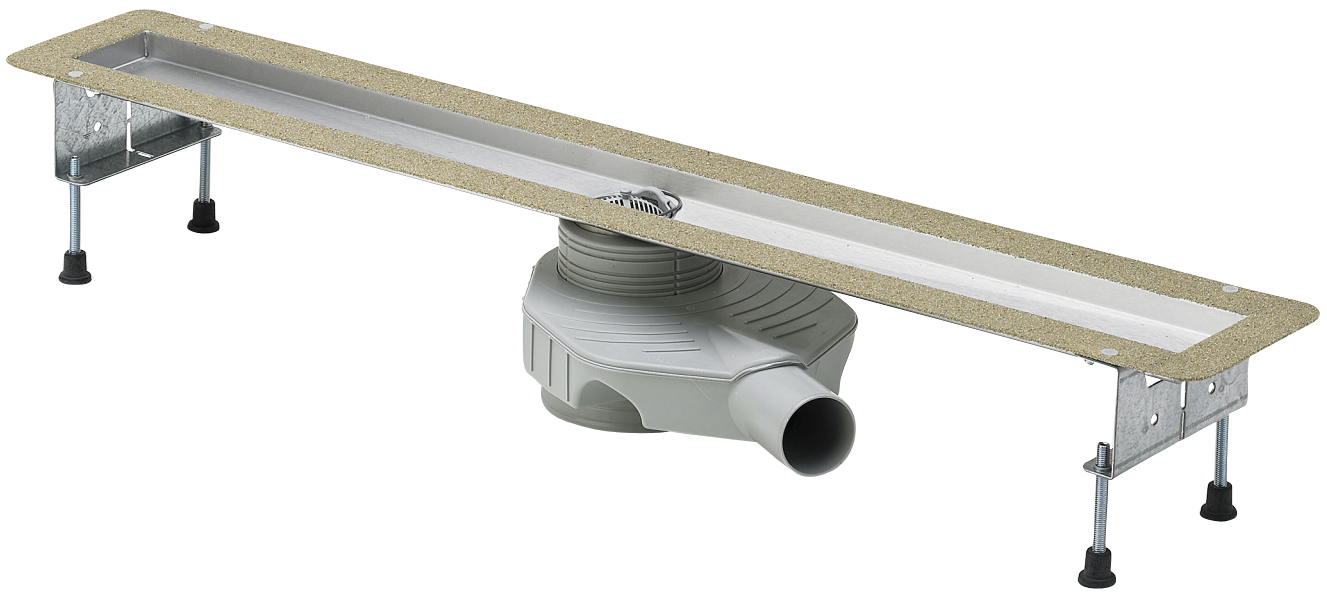


Advantix base unit for Advantix shower channel

Instructions for Use



for bonded sealing (tiled shower) with sealing mat

Model
4980.10

Year built:
from 01/2010

en_INT

viega

Table of contents

1	About these instructions for use	4
1.1	Target groups	4
1.2	Labelling of notes	4
1.3	About this translated version	5
2	Product information	6
2.1	Standards and regulations	6
2.2	Intended use	7
2.2.1	Areas of use	7
2.2.2	Media	7
2.2.3	Drainage capacity	7
2.3	Product description	8
2.3.1	Overview	8
2.3.2	Technical data	9
2.3.3	Sound protection	9
2.4	Information for use	9
2.4.1	Sealing	9
2.4.2	Fire protection	11
2.5	Required accessories	11
3	Handling	12
3.1	Assembly information	12
3.1.1	Important note	12
3.1.2	Installation dimensions	12
3.1.3	Tools and materials	13
3.2	Assembly	14
3.2.1	Determine height	14
3.2.2	Mount base unit	18
3.2.3	Align shower channel	19
3.2.4	Connect shower channel	20
3.2.5	Preparing for further work	21
3.2.6	Sealing the shower channel	24
3.3	Care	29
3.3.1	Care tips	29
3.3.2	Cleaning	29
3.4	Disposal	32

1 About these instructions for use

Trade mark rights exist for this document, further information can be found at viega.com/legal.

1.1 Target groups

The information in this instruction manual is directed at the following groups of people:

- Heating and sanitary professionals and trained personnel
- Tilers
- Consumers

It is not permitted for individuals without the abovementioned training or qualification to mount, install and, if required, maintain this product. This restriction does not extend to possible operating instructions.

The installation of Viega products must take place in accordance with the general rules of engineering and the Viega instructions for use.

1.2 Labelling of notes

Warning and advisory texts are set aside from the remainder of the text and are labelled with the relevant pictographs.



DANGER!

This symbol warns against possible life-threatening injury.



WARNING!

This symbol warns against possible serious injury.



CAUTION!

This symbol warns against possible injury.



NOTICE!

This symbol warns against possible damage to property.



Notes give you additional helpful tips.

1.3 About this translated version

This instruction for use contains important information about the choice of product or system, assembly and commissioning as well as intended use and, if required, maintenance measures. The information about the products, their properties and application technology are based on the current standards in Europe (e. g. EN) and/or in Germany (e. g. DIN/DVGW).

Some passages in the text may refer to technical codes in Europe/Germany. These should serve as recommendations in the absence of corresponding national regulations. The relevant national laws, standards, regulations, directives and other technical provisions take priority over the German/European directives specified in this manual: The information herein is not binding for other countries and regions; as said above, they should be understood as a recommendation.

2 Product information

2.1 Standards and regulations

The following standards and regulations apply to Germany / Europe. National regulations can be found on the relevant web site of your country at viega.com/standards.

Regulations from section: Sealing

Scope / Notice	Regulations applicable in Germany
Stress class of the underground, as well as suitable bonded sealing	ZDB-Merkblatt 8/2012
Stress class of the underground, as well as suitable bonded sealing	Leitfaden zur Abdichtung im Verbund (AIV)
Approved bonded sealings with proof of practicability in keeping with building law for stress classes A and AO	ETAG 022 T1
Approved bonded sealings with proof of practicability in keeping with building law for stress classes A, B and C	DIBt-Bauregelliste A, Teil 2 des DIBt und Prüfgrundsätze für Abdichtungen im Verbund (PG AIV-F)
Permitted bonded sealings	EN 14891

Regulations from section: Media

Scope / Notice	Regulations applicable in Germany
Typical domestic wastewater	DIN 1986-3

Regulations from section: Sound protection

Scope / Notice	Regulations applicable in Germany
Fulfilled noise protection requirements	DIN 4109
Fulfilled noise protection requirements	VDI 4100

Regulations from section: Important notes

Scope / Notice	Regulations applicable in Germany
Dimensions of slots and recesses	EN 1996

2.2 Intended use

2.2.1 Areas of use

The shower channel is used in the bathroom as a drain for a floor-level shower. It is designed for small to medium volumes of water, which occur in e. g. residential building.

Technical information, see ↗ *Chapter 2.3.2 „Technical data“ on page 9.*

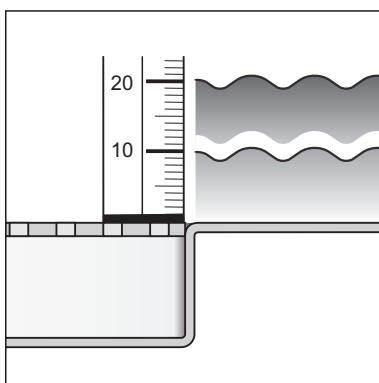
2.2.2 Media

The shower channel is intended for draining of household-type wastewater in constant operation, see ↗ *„Regulations from section: Media“ on page 6.*

- The short-term temperature of the wastewater may reach up to 95° C. The temperature must be considerably lower in constant operation.
- The pH value must be higher than 4 but lower than 10.

It is not permitted to introduce wastewater which would damage the product material.

2.2.3 Drainage capacity



The drainage capacity is dependent on the chosen installation height. The installation height is the distance from the drain to the flange.

Drainage capacity at an accumulation height of 10 mm above the grate: 0.65–0.85 l/s

Drainage capacity at an accumulation height of 20 mm above the grate: 0.8–1.0 l/s

2.3 Product description

2.3.1 Overview

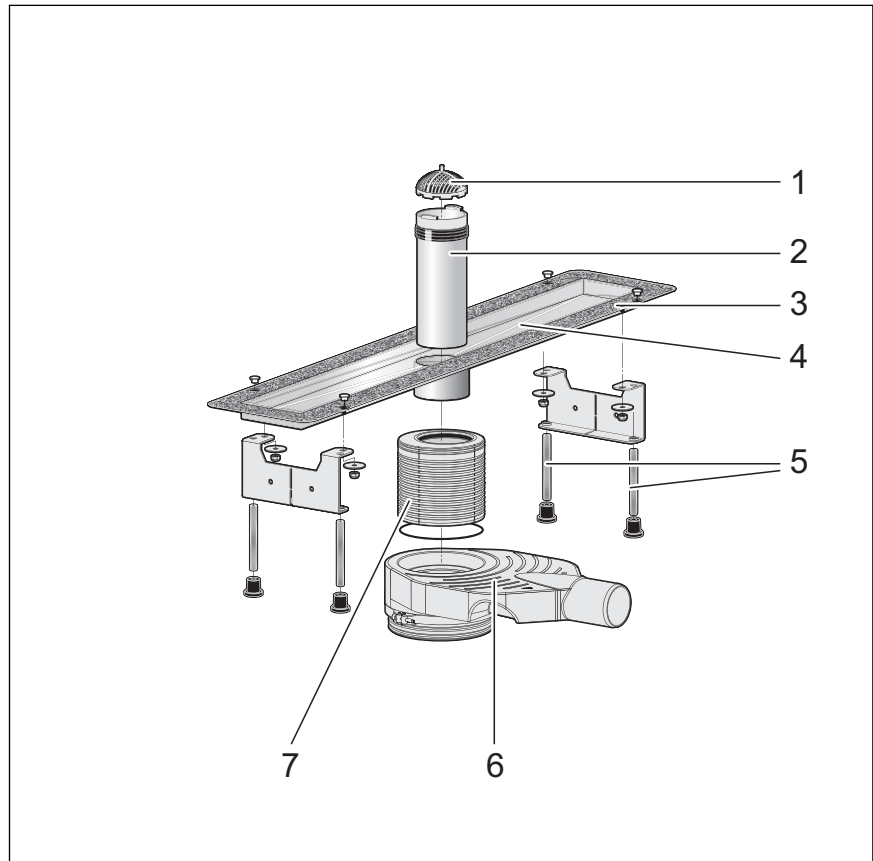


Fig. 1: Components and scope of delivery

- 1 - sieve
- 2 - immersion pipe, removable
- 3 - drain flange, sand-coated
- 4 - shower channel
- 5 - feet, height-adjustable
- 6 - odour trap, adjustable in two stages
- 7 - height adjustment piece, can be cut to length

2.3.2 Technical data

Nominal width [DN]	50
Material	Stainless steel 1.4301
Drainage capacity	↪ Chapter 2.2.3 „Drainage capacity“ on page 7
Dimensions and installation height	↪ Chapter 3.1.2 „Installation dimensions“ on page 12
Water seal level	90–99 mm installation height: 35 mm 100–109 mm installation height: 40 mm 110–190 mm installation height: 50 mm
Load class	K = 300 kg

2.3.3 Sound protection

The measured sound level during water drainage is 19 dB(A). For information on sound protection requirements met, see ↪ „Regulations from section: Sound protection“ on page 6.

2.4 Information for use

2.4.1 Sealing

Bonded sealing

To protect against moisture penetration, apply sealing foils, which are to be processed in liquid state, directly below the tiles on screed and walls. The determination of the stress class and the underground as well as the selection of the suitable bonded sealing must be carried out in compliance with the valid standards and regulations, see: ↪ „Regulations from section: Sealing“ on page 6.

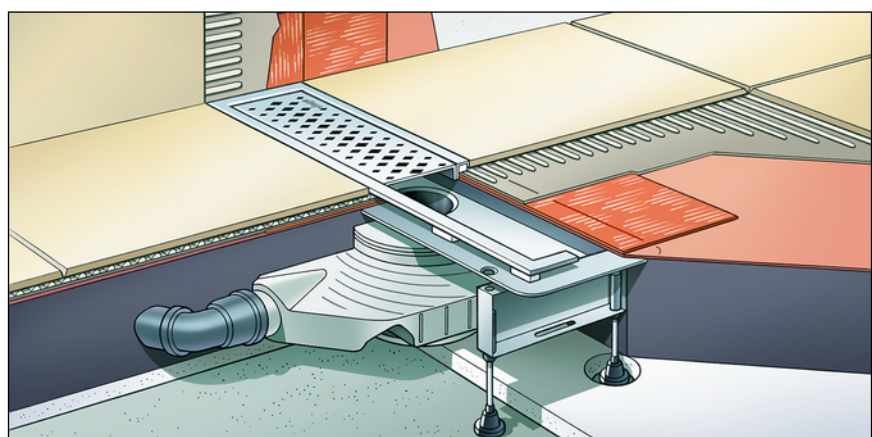


Fig. 2: Diagram of a bonded seal

Important note

Careful planning is required for professional sealing. In addition, depending on the individual dampness wear class and the type of foundation, a suitable BS system with a building regulations certificate of suitability must be chosen.

Furthermore, the following factors should be taken into account:

- Drain or shower channel must be equipped with a special flange, which has an adhesive surface and a width of at least 30 mm.
- For bridging the material change from drain to screed, either a suitable sealing collar or sealing tape designed for overlapping with the BS over a width of at least 50 mm must be used.
- The screed must be laid at a minimum incline of 1–2 %.
- The installation must be carried out properly in acc. with the mounting instructions and the manufacturer's information.

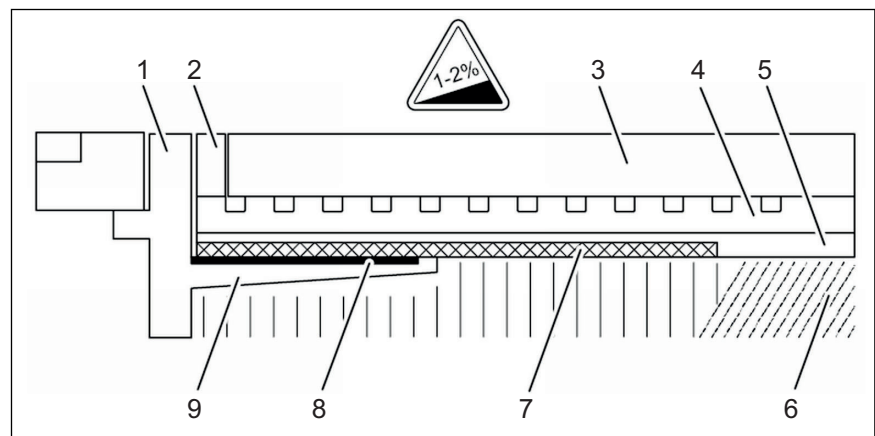


Fig. 3: Construction diagram of the bonded seal - min. screed incline 1–2 %

- 1 - Grate
- 2 - Top piece with adhesive flange
- 3 - Tile
- 4 - Tile cement
- 5 - Bonded sealing
- 6 - Screed
- 7 - Sealing collar
- 8 - Mat
- 9 - Adhesive flange

Permitted bonded seals

In connection with suitable drains, only approved bonded sealings with proof of practicability in keeping with building law may be used. See [☞ „Regulations from section: Sealing“ on page 6.](#)

Information regarding the procedure can be found in the instructions for use of the corresponding product.

2.4.2 Fire protection

Advantix shower channels and drains can both be fitted to be fire proof. The R120 pipe lead-in can be used for this purpose in the floor construction. In this way, a fire resistance time of up to 120 minutes can be achieved.

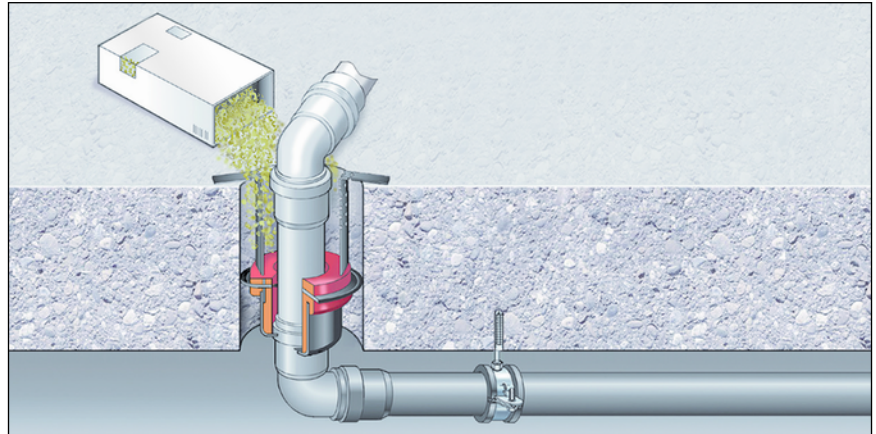
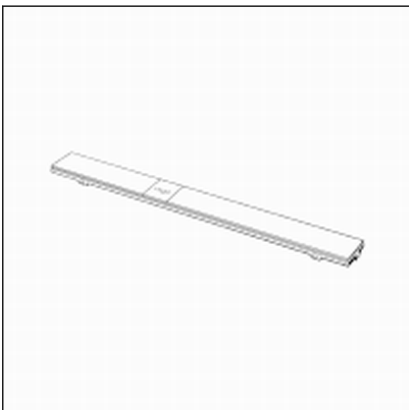


Fig. 4: Example: fire protection pipe lead-in

Mounting instruction of the R120 pipe lead-in see model 4923.5, Art.-No. 491 673.

2.5 Required accessories



The following parts are not included in the scope of delivery and can be ordered separately:

- grate (see catalogue)
- Sealing tape for Advantix shower channels, model 4964.95, art. no. 619 121
- if required: mounting adhesive, model 4938.22, art. no. 571 788

3 Handling

3.1 Assembly information

3.1.1 Important note

Before assembly:

- Check if the drainage capacity of the model chosen is sufficient for the arising water volume ↪ *Chapter 2.2.3 „Drainage capacity“ on page 7.*
- An adequate level of floor covering stability must be guaranteed ↪ *Chapter 2.3.2 „Technical data“ on page 9.* This can be achieved either through an adequate covering of screed or another alternative solution. Relevant measures must be considered before mounting.
- The dimensions of slots and recesses must be in compliance with the regulations from section ↪ *„Regulations from section: Important notes“ on page 7.*

During assembly:

- Observe installation dimensions.
- Do not use mounting adhesive older than 18 months.
- Position the shower channel in such a way that the grate is removable.

After assembly:

- The shower channel must be fully lined with mortar.
- The sealing accessories should be given to the person responsible for the bonded sealing (e. g. tiler).
- Coordinate all relevant installation details, especially regarding the bonded sealing, with those responsible for the subsequent work.

3.1.2 Installation dimensions

When fitting a shower channel in a niche, to be able to remove the grate and to avoid a strip of tiles next to the channel, the correct size of niche is of importance.

- Dimension A = Channel length
- Dimension B = Minimum width of the niche from plaster inside edge to plaster inside edge
- Dimension C = Minimum width of the niche from tile inside edge to tile inside edge

Dimension "B" is important so that the flange does not need to be mortised and the sealing on the flange and wall can be completed properly.

Dimension "C" is important so that the grate remains removable.

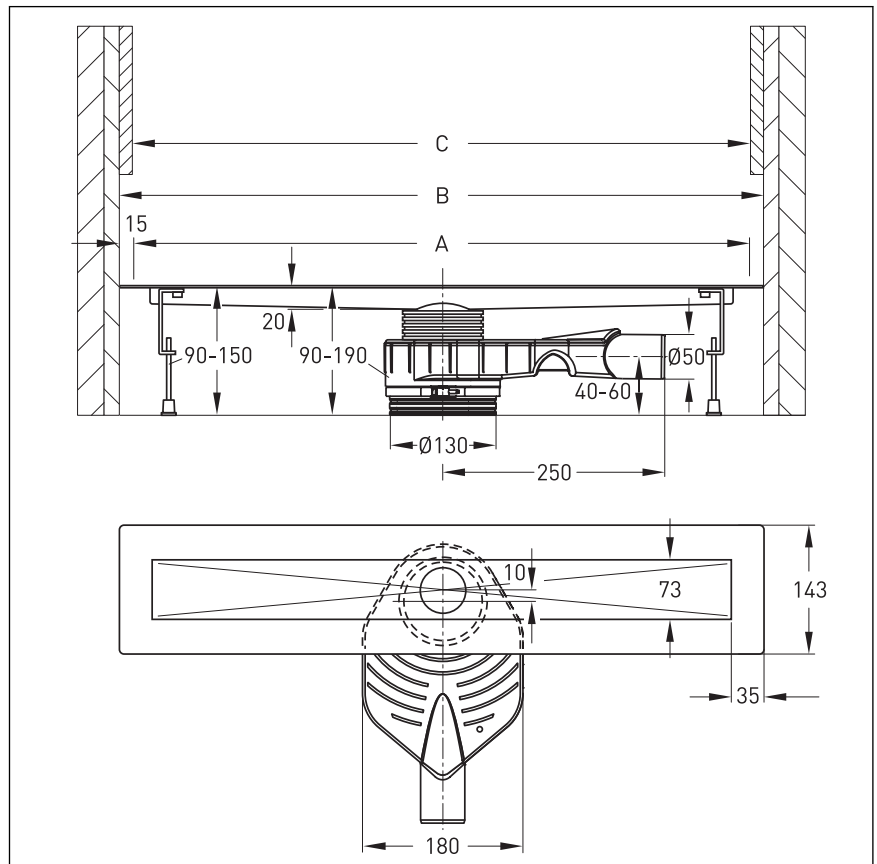


Fig. 5: Niche dimensions

Art. no.	A	B	C	Standard dimension of shower door
655 082	750	780	710	750
655 099	800	830	760	800
655 105	900	930	860	900
655 112	1000	1030	960	1000
655 129	1200	1230	1160	1200

3.1.3 Tools and materials

Special tools

- Spanner size 8 for mounting grate
- Drill, 6 mm
- Tool for the removal of the grate (e. g. model 4965.90, art. no. 689 704)

Mounting adhesive

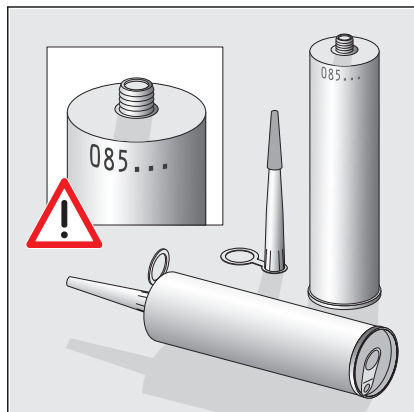


Fig. 6: Filling date of the mounting adhesive

Mounting adhesive can be used for a maximum of 18 months.

The filling date is found on the top edge of the cartridge. The first two numbers represent the month, the following number the year.

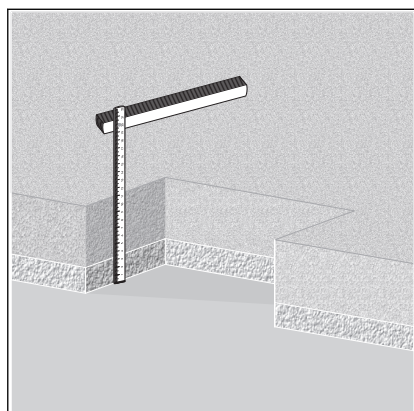
Example

085...

Filling date = August (08) 2015 (5)

3.2 Assembly

3.2.1 Determine height



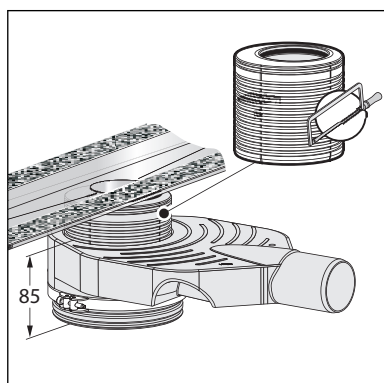
► Determine screed height.

There are three different installation heights:

- 110–190 mm ↪ „Installation height 110–190 mm“ on page 14
- 100–109 mm ↪ „Installation height 100–109 mm“ on page 15
- 90–99 mm ↪ „Installation height 90–99 mm“ on page 16

In its delivery condition, the height of the base unit is 190 mm.

Installation height 110–190 mm

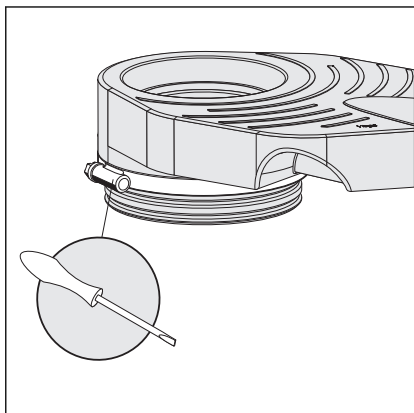


► Shorten height adjustment piece accordingly.

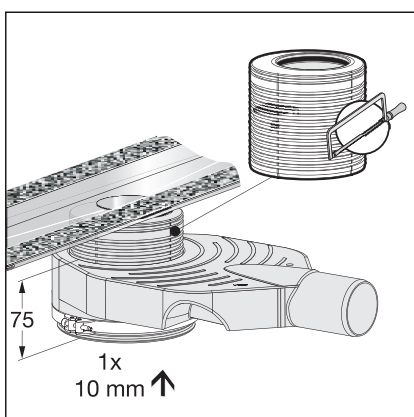
The water seal level remains 50 mm.

Further: ↪ Chapter 3.2.2 „Mount base unit“ on page 18.

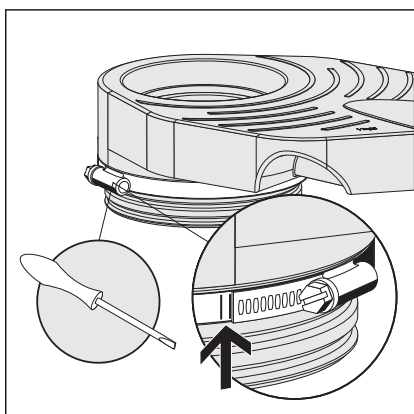
Installation height 100–109 mm



- Loosen fastening ring with screwdriver.



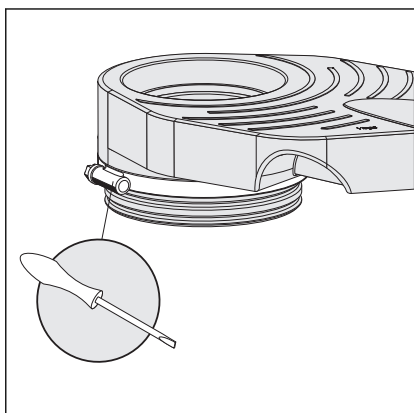
- Push the floor piece in by one ring (1 x 10 mm).
The fine tuning within these dimensions takes place using the height adjustment piece.
The water seal level reduces to 40 mm.



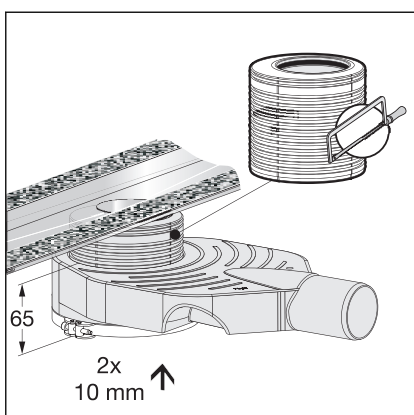
- Fit the mounting ring and tighten to a maximum $2.5 \text{ Nm} \pm 0.2 \text{ Nm}$ using a screwdriver.
- Alternatively, the screw can be tightened until the markings on the mounting ring match up.

Further: ↪ *Chapter 3.2.2 „Mount base unit“ on page 18.*

Installation height 90–99 mm



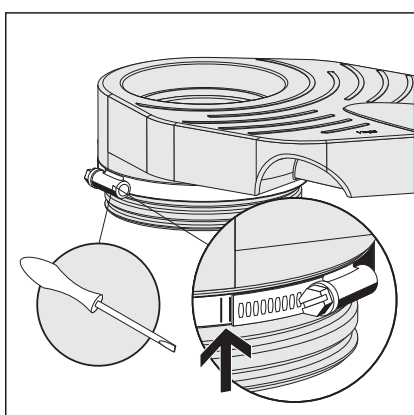
- Loosen fastening ring with screwdriver.



- Push in the floor piece around 2 rings (2 x 10 mm).

The fine tuning within these dimensions takes place using the height adjustment piece.

The water seal level reduces to 35 mm.

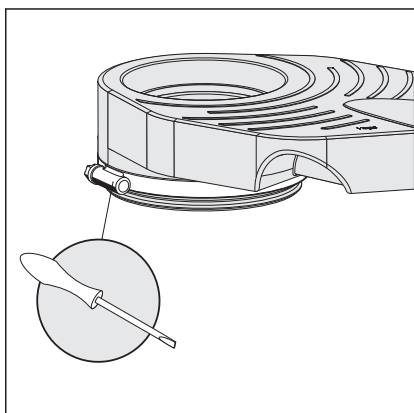


- Fit the mounting ring and tighten to a maximum $2.5 \text{ Nm} \pm 0.2 \text{ Nm}$ using a screwdriver.

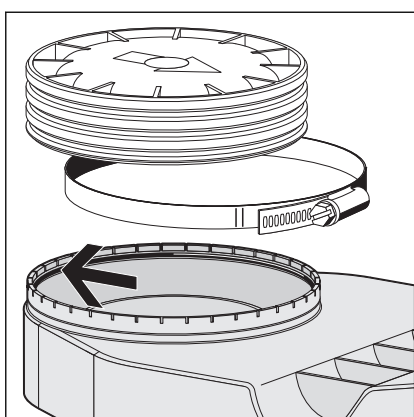
- Alternatively, the screw can be tightened until the markings on the mounting ring match up.

Further: ↪ *Chapter 3.2.2 „Mount base unit“ on page 18*

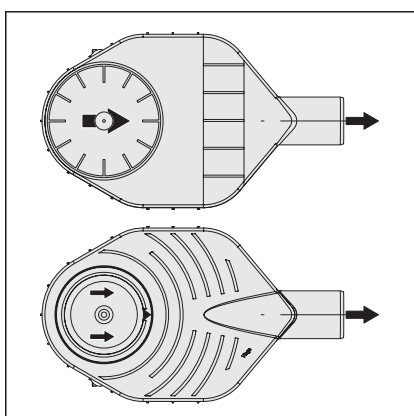
Correct height adjustment



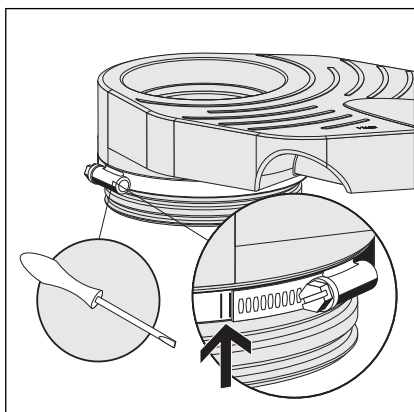
- Loosen fastening ring with screwdriver.



- Remove the floor piece or push it into the drain.
- Remove the floor piece.
- Lay the greased O-Ring into the casing (see arrow).

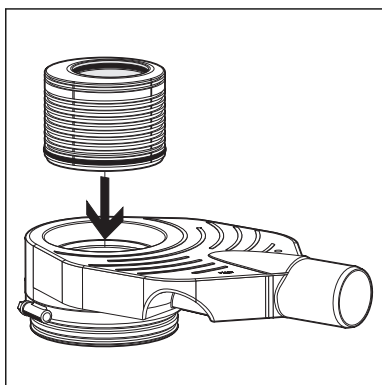


- Push the floor piece straight into the required position in the drain.
- The arrow on the base of the odour trap must be pointed towards the drain.

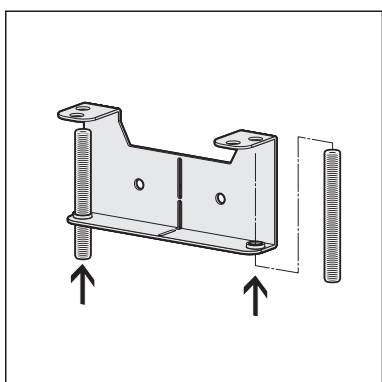


- Fit the mounting ring and tighten to a maximum $2.5 \text{ Nm} \pm 0.2 \text{ Nm}$ using a screwdriver.
- Alternatively, the screw can be tightened until the markings on the mounting ring match up.

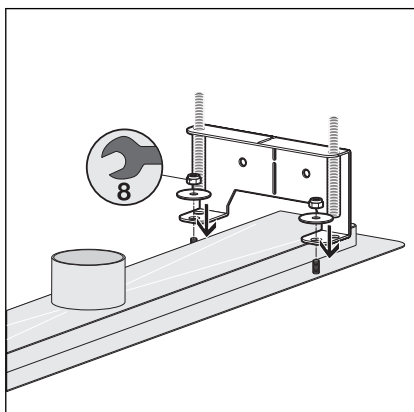
3.2.2 Mount base unit



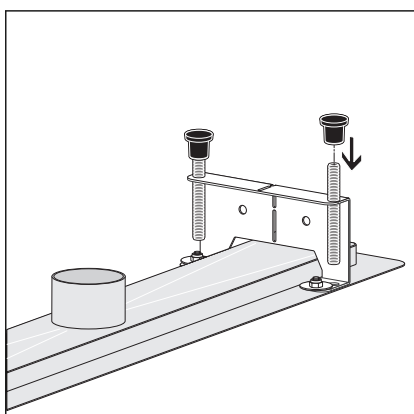
- Insert height adjustment piece with O-ring.



- Screw the height adjustment into the foot.

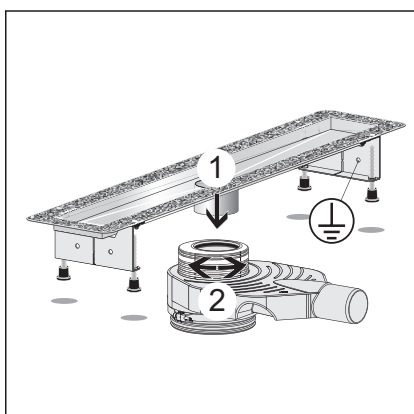


- Attach foot.
- Screw it in on with a washer and nut.



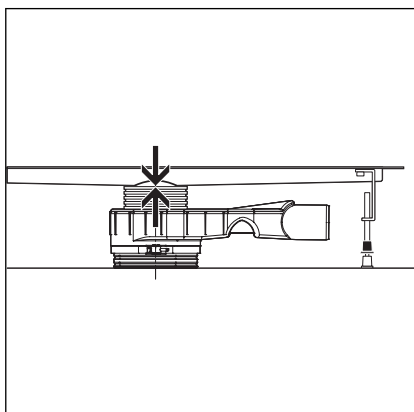
- Insert rubber caps.

3.2.3 Align shower channel



- Press drain support into the height adjustment piece as far as it will go (1).
- Correct drain position, if necessary. Turn the height adjustment piece to do so (2).

If required, earth the shower channel in accordance with the local national electrical regulations.



- Check whether the shower channel is inserted into the height adjustment piece as far as it will go.

3.2.4 Connect shower channel

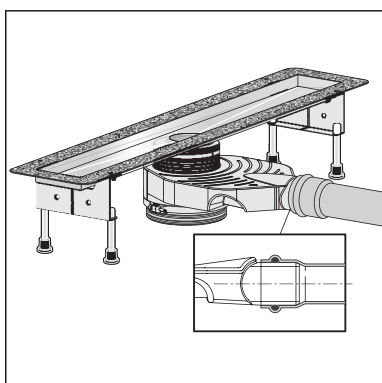
The connection to the wastewater system must be completed before the drain can be installed in the floor construction.

Requirements:

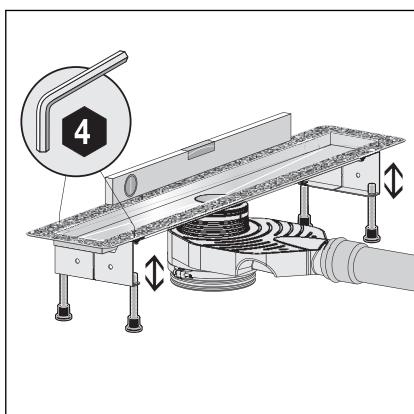
- A pipe to the planned drainage position is already in place for the connection to the wastewater system.
- The drainpipe has an internal profile seal.

Proceed as follows:

- Insert the drain socket into the drainpipe as far as it will go.



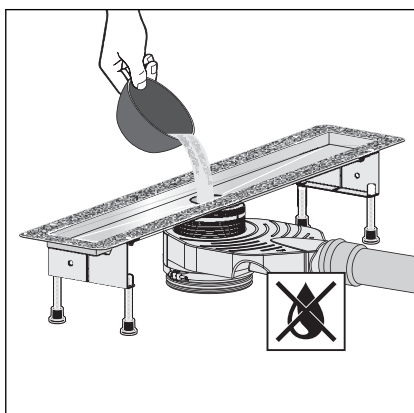
Fine tuning



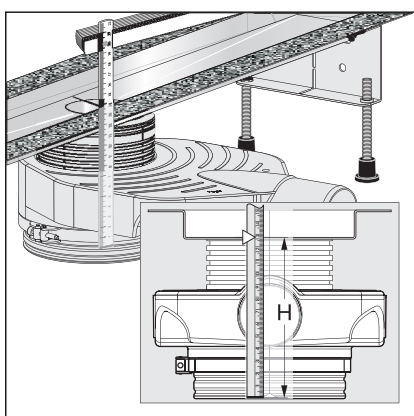
- Align the shower channel horizontally by adjusting the height of the feet.

- Secure the feet in place with fixing material if necessary.

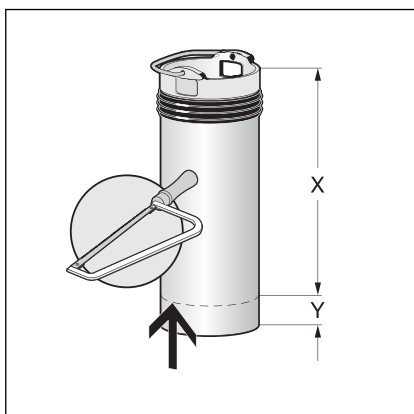
3.2.5 Preparing for further work



- Fill the shower channel with water.
- Check the drain casing and pipeline for leak tightness.



- Determine the required height (see fig., dimension H).



- Measure dimension X from the upper edge of the immersion pipe and cut ($X = H - Y$):

110-190

water seal level 50 mm

Y = 18 mm

100-109

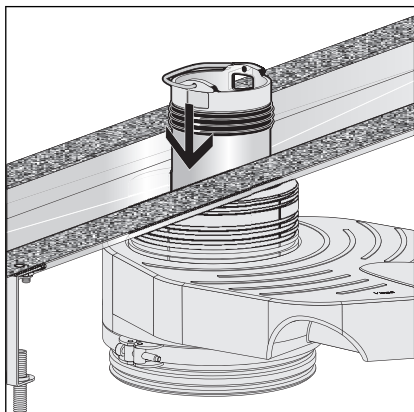
water seal level 40 mm

Y = 18 mm

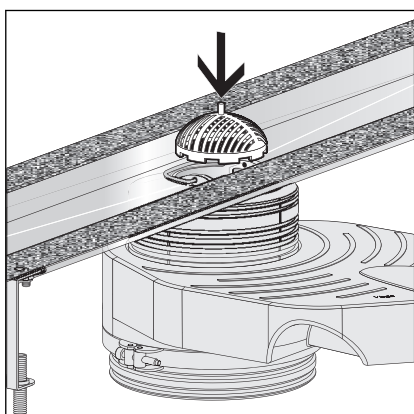
90-99

water seal level 35 mm

Y = 13 mm



► Insert immersion pipe.



► Optionally, insert the sieve.
The drainage capacity increases without a sieve.

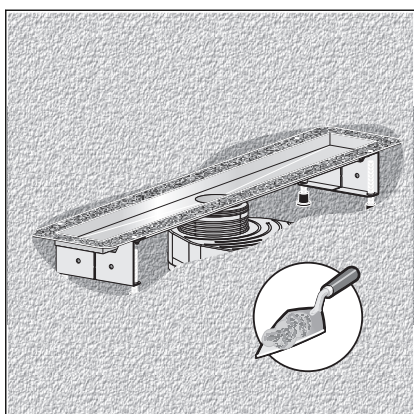
Lining with screed



NOTICE! Product damage due to improper installation

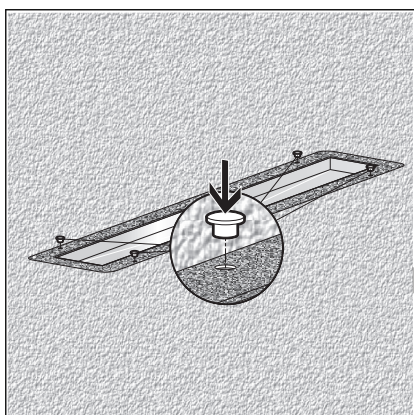
If hollow spaces occur during the lining of the shower channel, leaks may occur when pressure is applied.

Inform the subsequent workers that the shower channel must be fully lined and that there must be no hollow spaces.

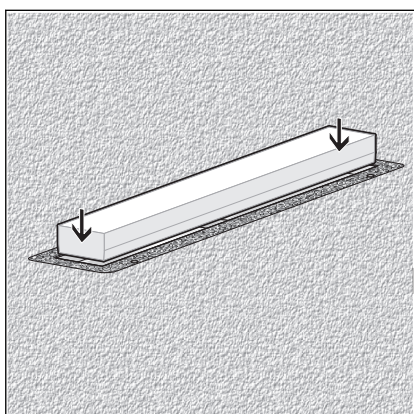


INFO! Screed and floor tiles must be laid at an incline of 1–2 % in the direction of the shower channel.

- Line the shower channel up to the upper edge of the flange with screed.



- Close the holes in the channel flange with the protective plugs supplied.



- Insert the protective insert made of hard foam.

The protective insert acts as a mounting aid and protection against contamination.

3.2.6 Sealing the shower channel

Requirements

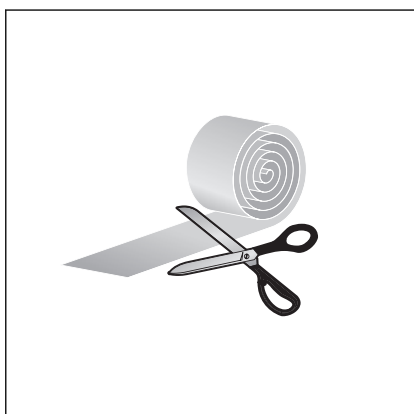
The flange must be clean and free from material residue. If necessary, clean the flange.



The sealing strip is not included with delivery. We recommend model 4964.95, Art.-No. 619 121.

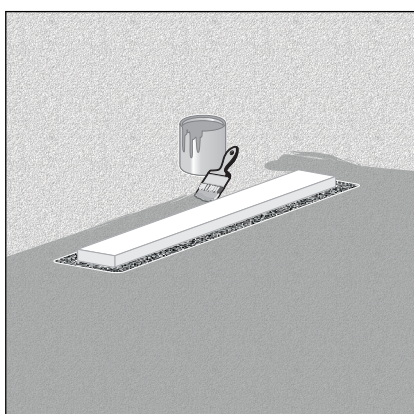
Sealing can take place with or without the use of mounting adhesive. The mounting adhesive is not included in the scope of delivery. We recommend model 4938.33, Art.-No. 571 788.

Sealing with bonded sealing and mounting adhesive



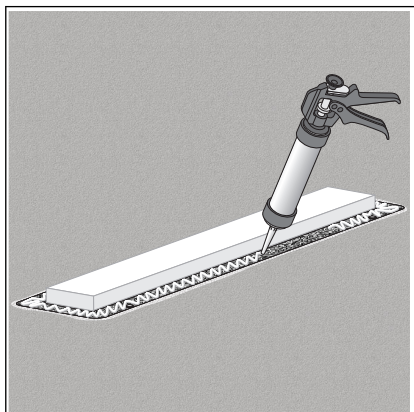
- Cut the sealing tape generously.

The strips should overlap when stuck on.



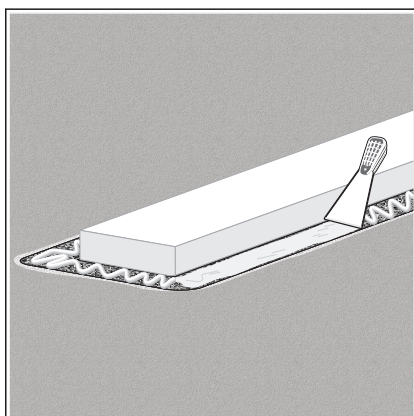
- Apply the first layer of bonded sealing generously onto the screed. Observe the instructions for use of the manufacturer of the bonded sealing.

Leave the flange open!

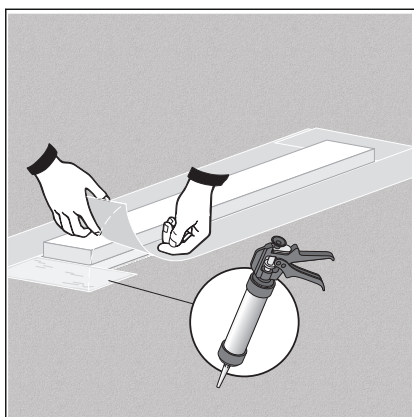


- Apply the mounting adhesive to the flange.

Observe the expiry date of the mounting adhesive, ↻ „*Mounting adhesive*“ on page 14.

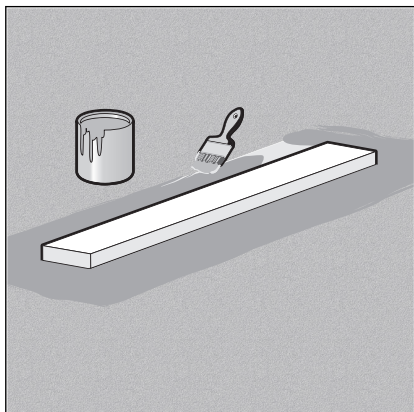


- Use a palette-knife to spread the mounting adhesive evenly.



- Place the sealing tape on the flange in such a way that flange and screed are evenly covered.
- Press the sealing tape firmly onto the mounting adhesive and bonded sealing. Overlap the corners in the process.
- Stick the overlapping strips together at the corners with mounting adhesive.

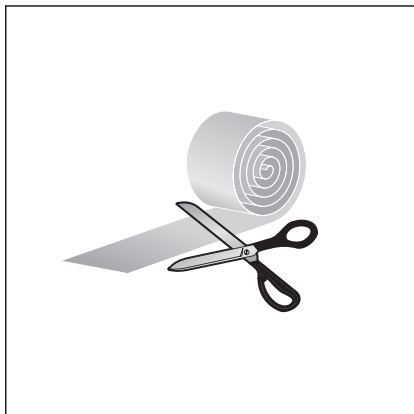
- Thoroughly press the adhesive joints together with a roller.



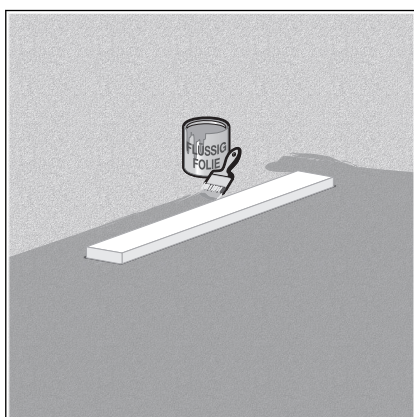
- Apply the second layer of bonded sealing generously onto the sealing tape and floor screed.

If no cover trim is to be fitted, the floor can now be tiled ↪ „*Lay tiles (Assembly without profile trim)*“ on page 29.

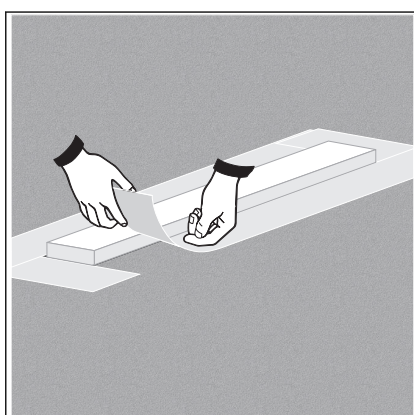
Sealing with bonded sealing, without mounting adhesive



- Cut the sealing tape generously. The strips should overlap when stuck on.

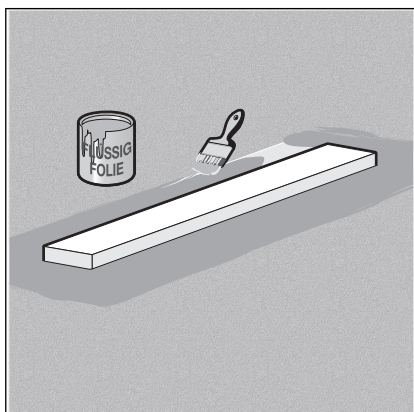


- Apply the first layer of bonded sealing generously onto the screed and the flange. Observe the instructions for use of the manufacturer of the bonded sealing.



- Place the sealing tape on the flange in such a way that flange and screed are evenly covered.
- Press the sealing tape firmly onto the bonded sealing. Overlap the corners in the process.
- Stick the overlapping tape strips together at the corners with bonded sealing.

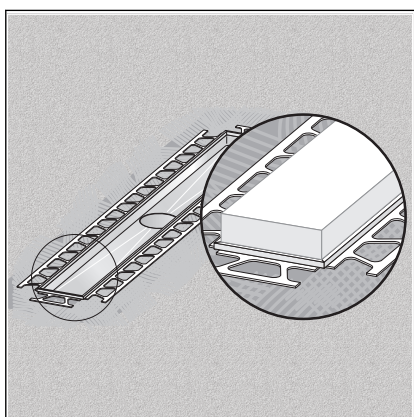
- Thoroughly press the adhesive joints together with a roller.



- Apply the second layer of bonded sealing generously onto the sealing tape and floor screed.

If no cover trim is to be fitted, the floor can now be tiled ↪ „Lay tiles (Assembly without profile trim)“ on page 29.

Assembly with cover trim

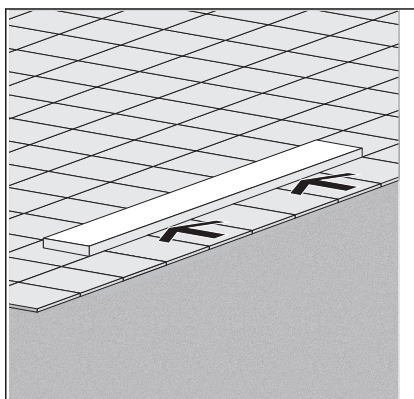


- Glue the mounting rail in a straight line at the protective insert.

- Deburr the edges.
- Avoid differences in height between different parts of the strip.
 - ⇒ The shower channel is now installed.

The floor can now be tiled ↪ „Lay tiles (Assembly without profile trim)“ on page 29.

Lay tiles (Assembly without profile trim)



- Lay the tiles right up to the edge of the protective insert.

CAUTION! Avoid sharp edges in the following places in the bare-foot area:

- on tiles
 - on cover trims
 - on cover trim profiles
- Polish the tile edge.

Finally, a grate must be mounted. See catalogue for suitable grates.

Mounting, see grate's instruction for use.

3.3 Care

3.3.1 Care tips

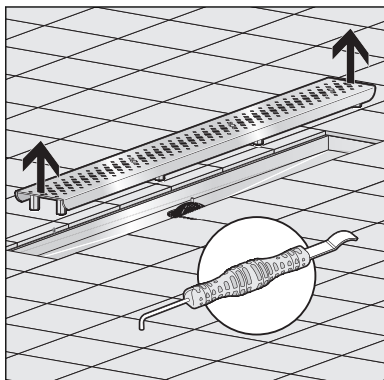
Normal soap or a mild cleaning agent can be used for regular care and prevention of lime scale on the grate and frame. Under no circumstances should scouring agent or scratching objects be used.

Strong stains, even around the drain unit and the siphon, can be removed using typical household cleaner. It should be noted that the cleaning agent should be rinsed off after the prescribed soaking time. There should be no residue on the components.

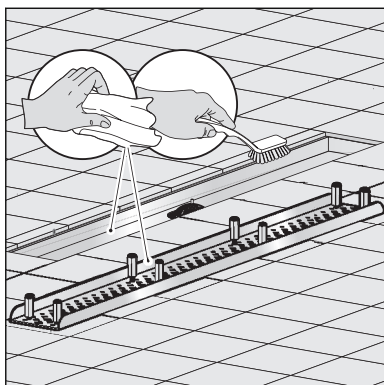
3.3.2 Cleaning

We recommend using a mild cleaning agent, a cloth and a washing-up brush for cleaning.

Clean shower channel



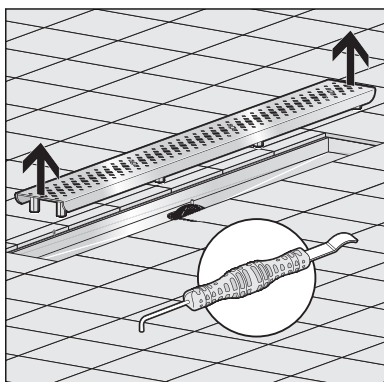
- Remove grate, e. g. 4965.90 with removal tool model , art. no. 689 704.



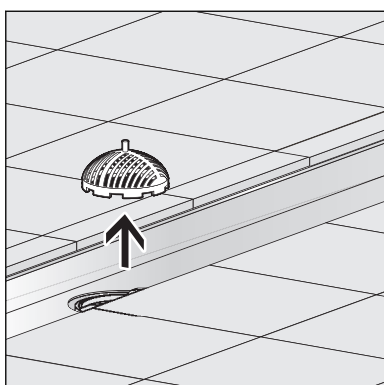
- Clean grate and shower channel.

- Rinse with clean water.
- Replace the grate into the shower channel.

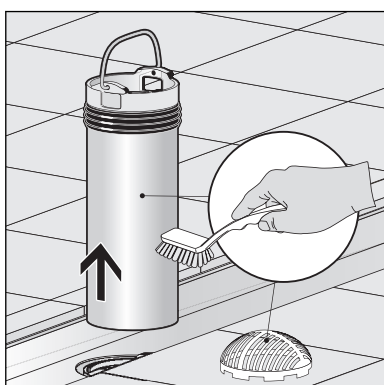
Cleaning the drain



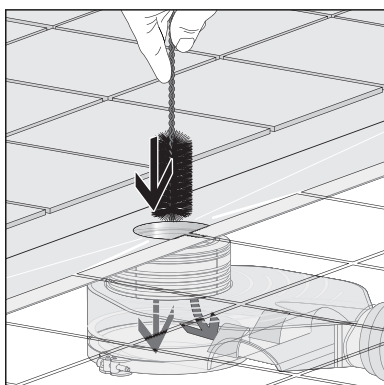
- Remove grate, e. g. 4965.90 with removal tool model , art. no. 689 704.



- Remove sieve.



- Remove immersion pipe.
- Clean sieve and immersion pipe.



- Clean drain.
- Replace immersion pipe.
- Replace sieve.
- Re-insert grate.

3.4 Disposal

Separate the product and packaging materials (e. g. paper, metal, plastic or non-ferrous metals) and dispose of in accordance with valid national legal requirements.