

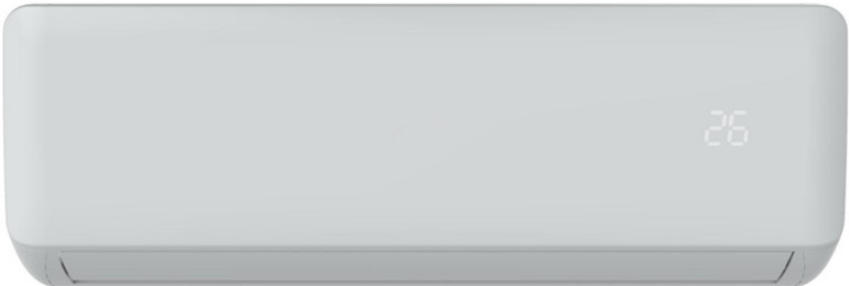
CONTENTS

Product Specification.....	1
Refrigeration Diagram.....	3
Wiring Diagram.....	5
Troubleshooting Guide.....	9

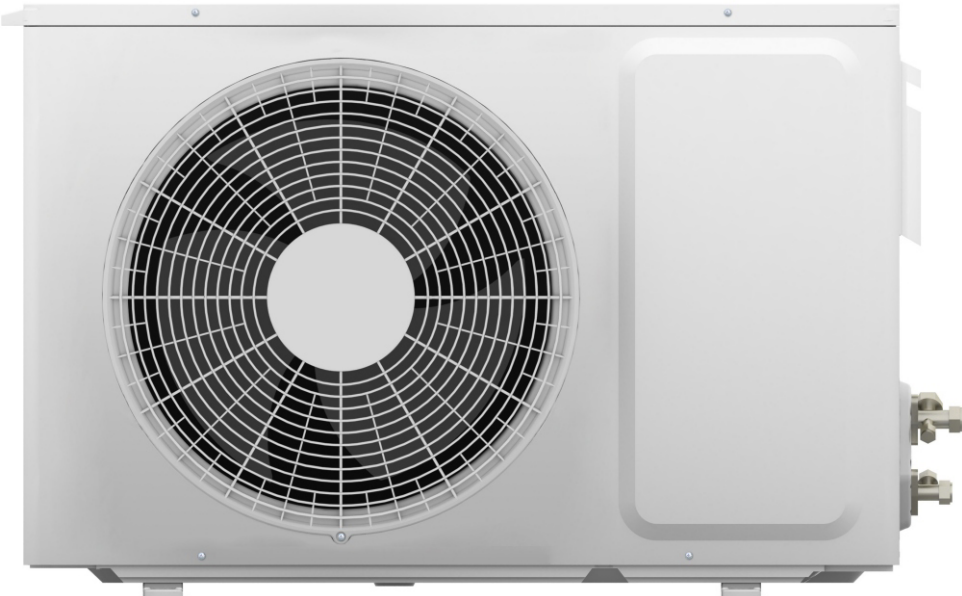
Chapter 1 Product Specification

1.1 Photo of Product (for reference only)

Indoor unit



Outdoor unit



1.2 Outline Dimensions

Indoor Unit

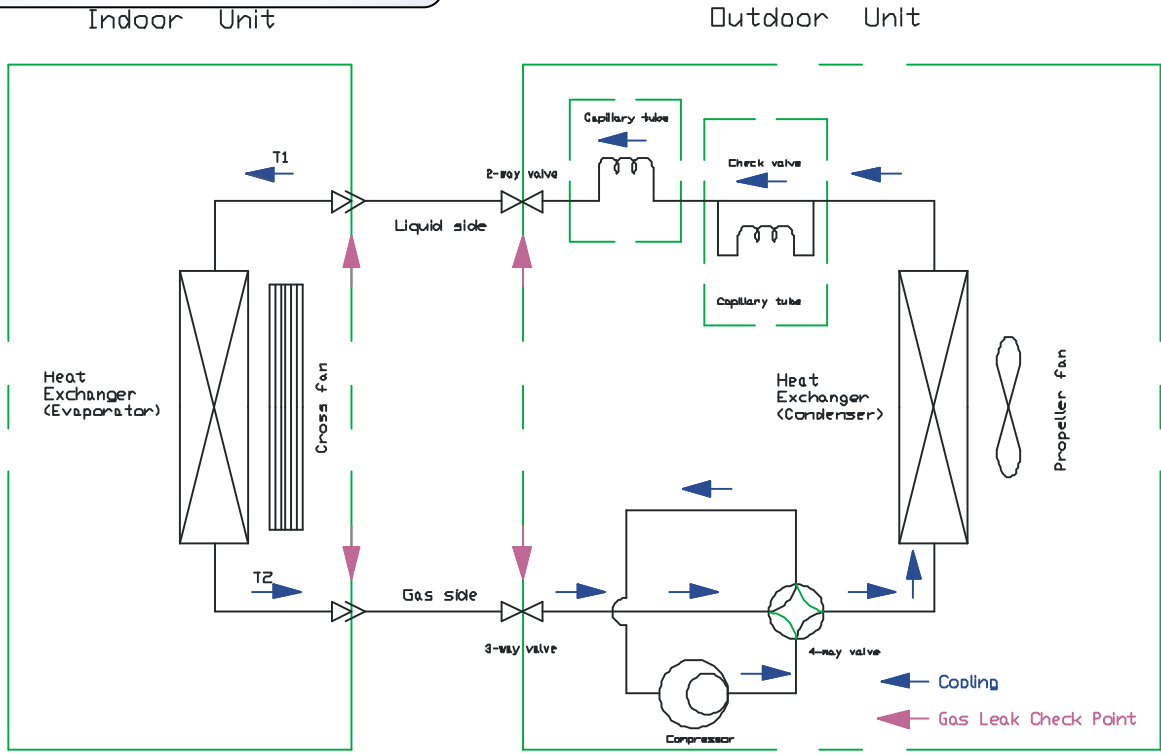
MODEL		7000BTU	9000BTU	12000BTU	18000BTU	24000BTU
W	mm	693	693	750	900	900
D	mm	199	199	200	225	225
H	mm	283	283	285	310	310

Outdoor Unit

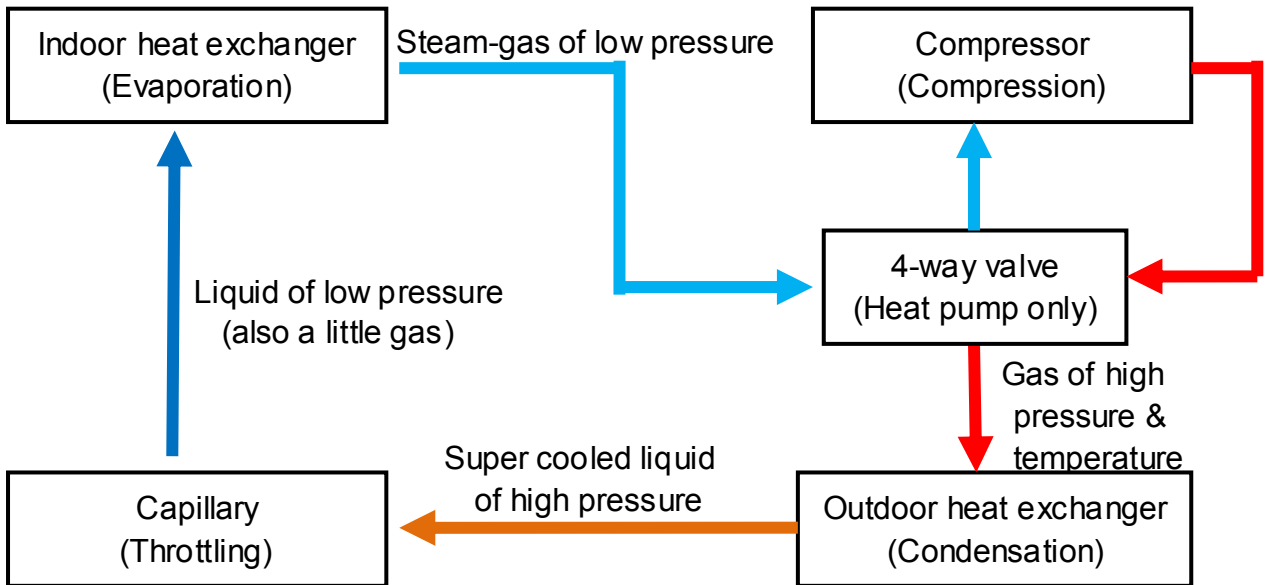
MODEL		7000BTU	9000BTU	12000BTU	18000BTU	24000BTU
W	mm	663	663	600	802	800
D	mm	254	254	250	298	300
H	mm	421	421	490	535	590

Chapter 2 Refrigeration Diagrams

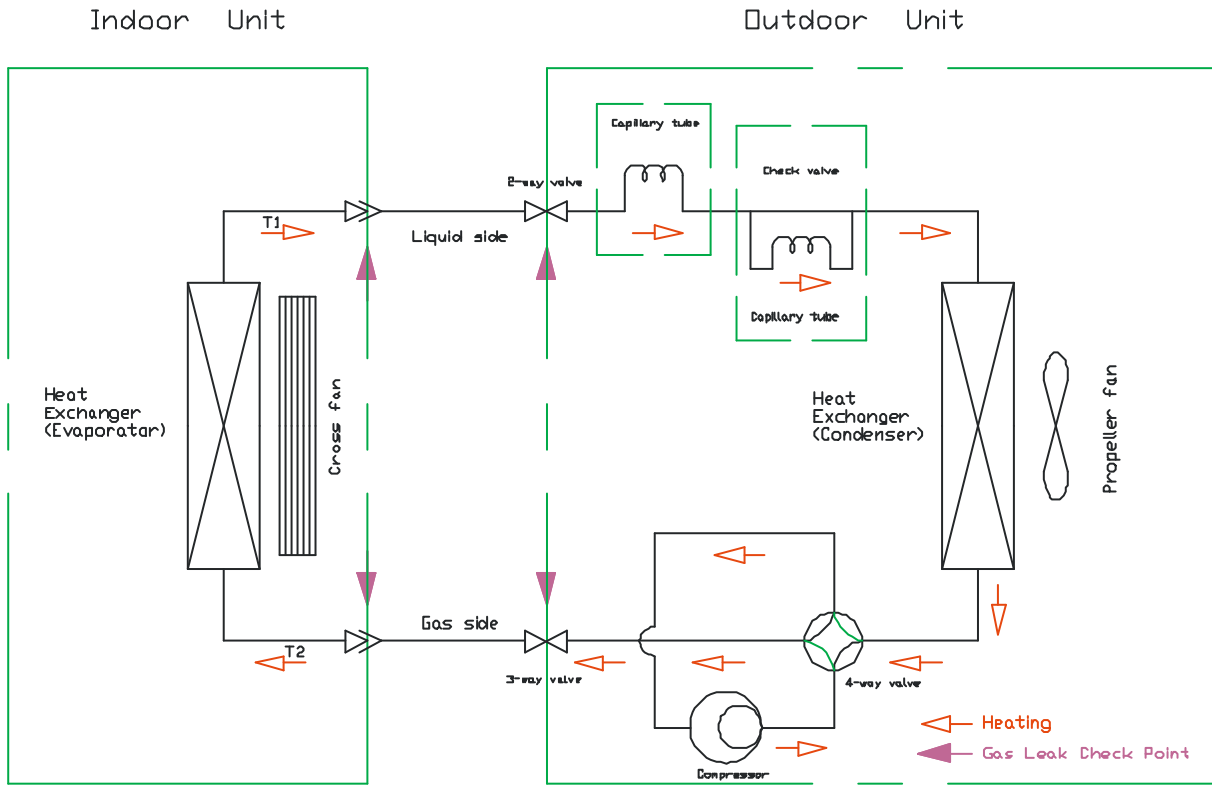
Cooling Mode



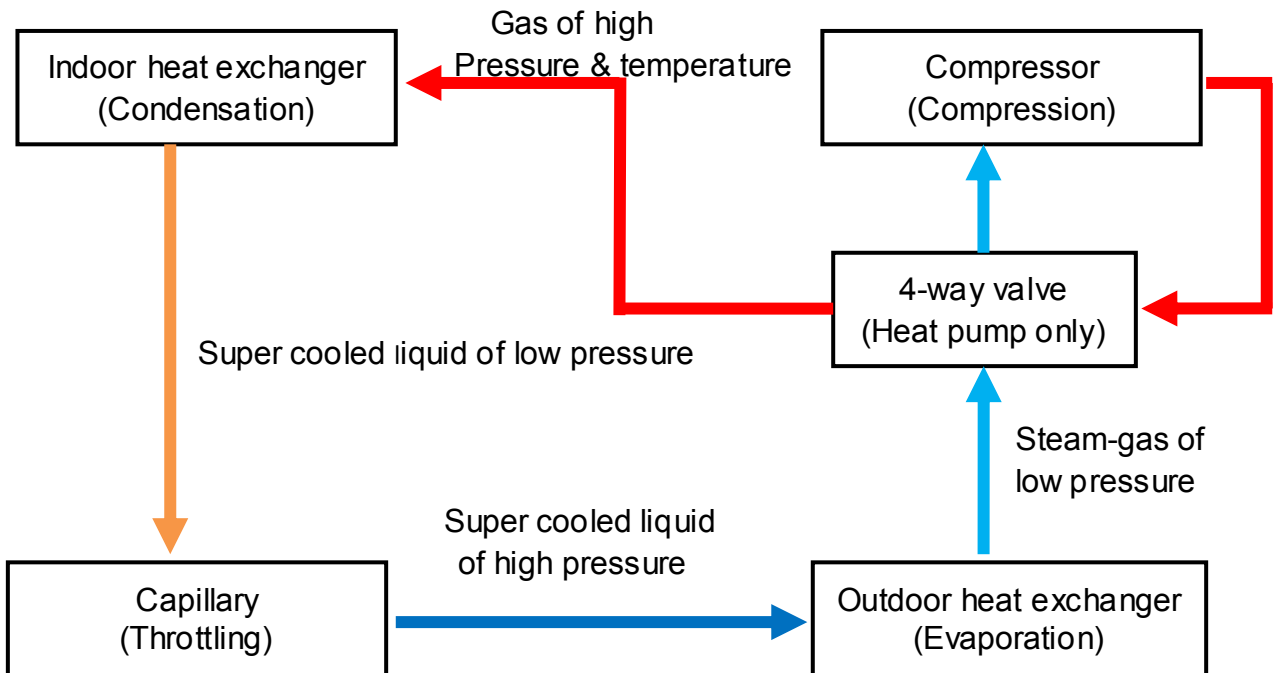
Cooling Cycle



Heating Mode



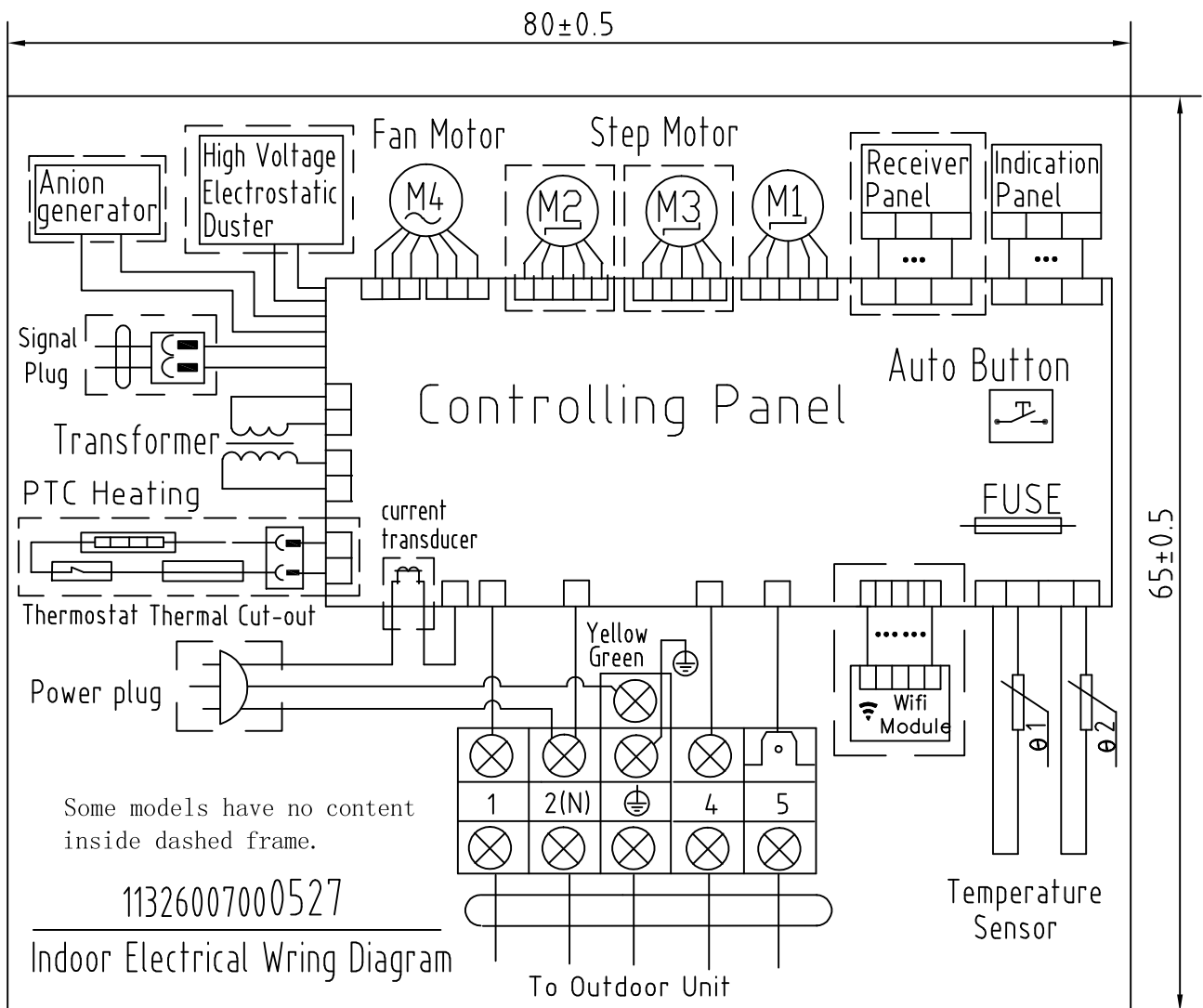
Heating Cycle



Chapter 3 Wiring Diagram

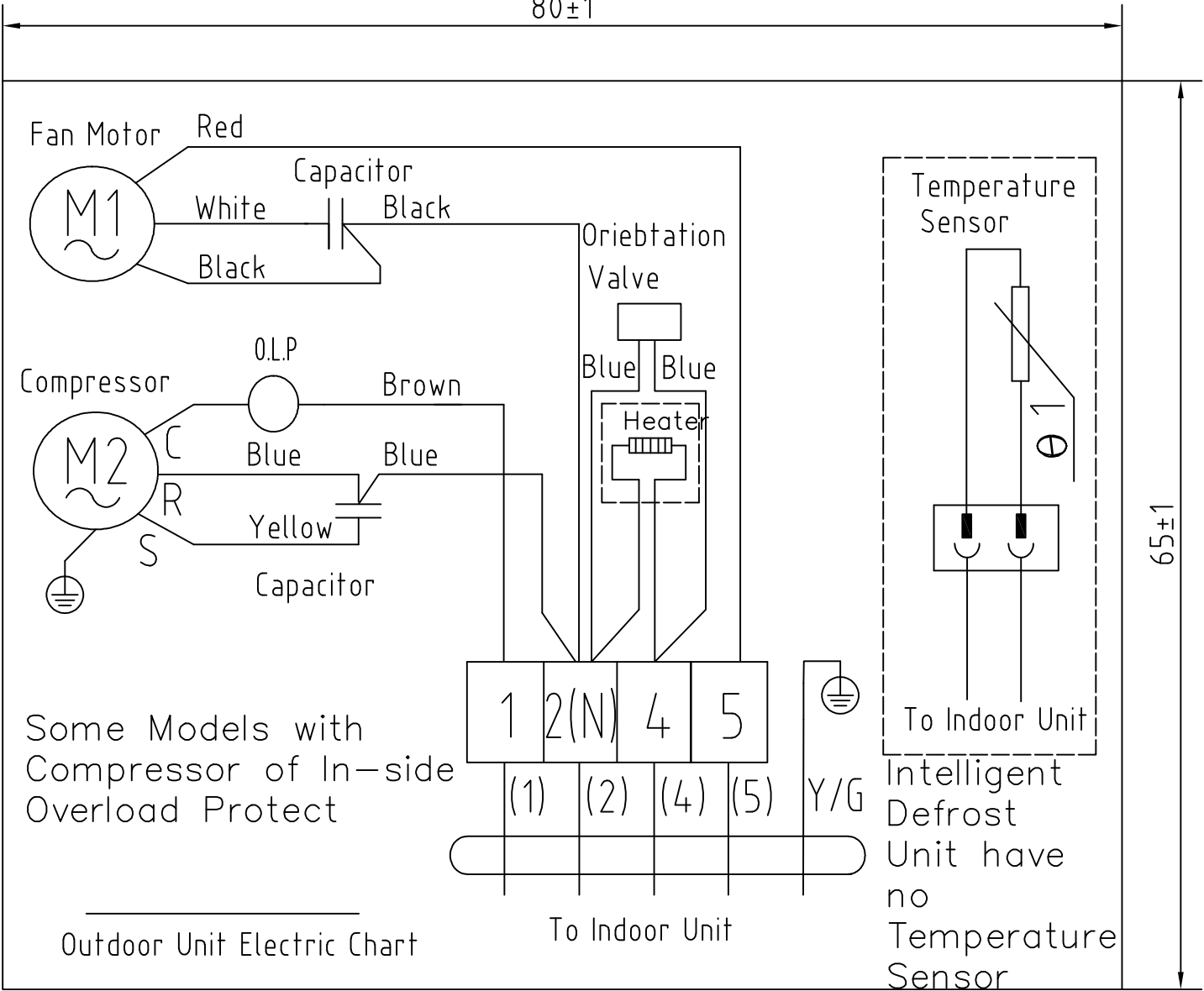
Electric chart for 07K/09K/12K/18K

Indoor unit



Outdoor unit

80±1



65±1

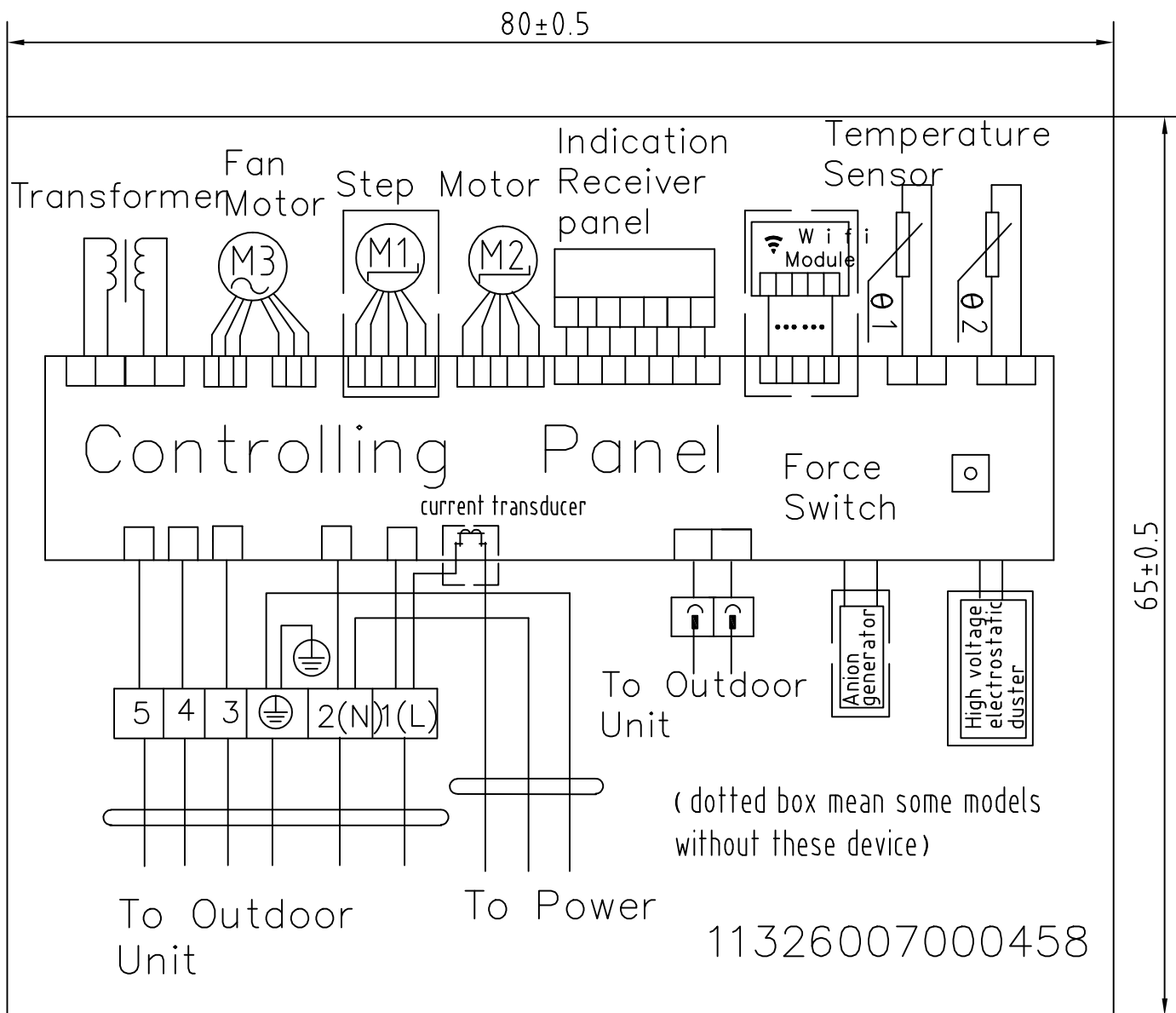
Outdoor Unit Electric Chart

To Indoor Unit

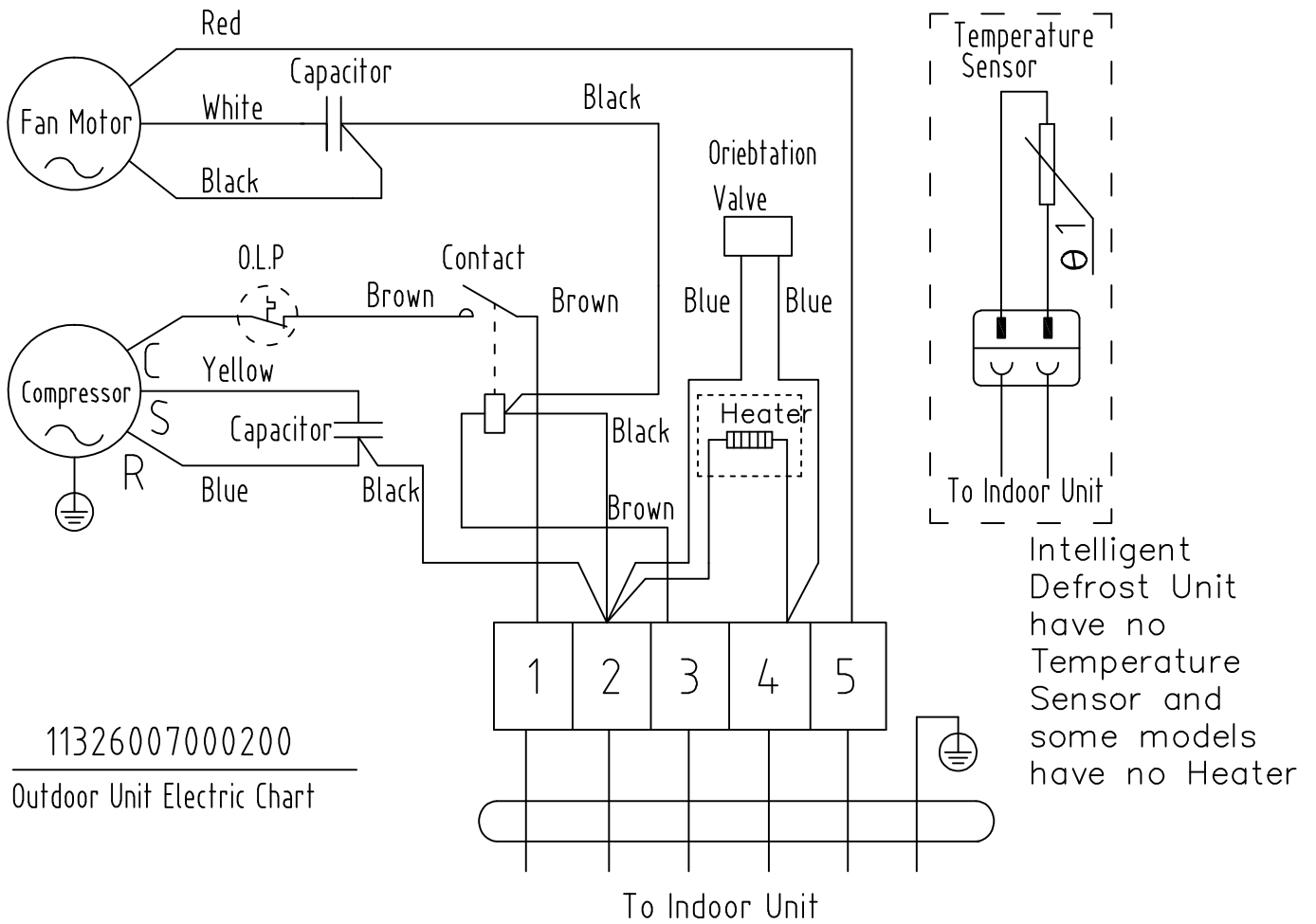
To Indoor Unit
Intelligent Defrost Unit have no Temperature Sensor

Electric chart for 24K

Indoor unit



Outdoor unit



Chapter 4 Troubleshooting Guide

4.1 Error Code

No.	Error Code	Problem
1	E1	Room temperature sensor fault
2	E2	Outdoor coil temperature sensor fault
3	E3	Indoor coil temperature sensor fault
4	E4	Indoor fan motor feedback fault

4.2 Troubleshooting Guide

1. The Foremost Inspecting Items

(1)The input voltage must be within +10% tolerance of the rated Voltage. If it is not the case, the air-conditioner will probably not work normally.

(2)Check the connecting cord between indoor unit and outdoor unit to see if it is properly connected. The connecting must be done according to the wiring diagram, please also notice that even different models may have the connecting cord of the same specification.

Please check if the marks at the connecting terminal and the marks on the cord can match, otherwise, the air-conditioner will not work normally.

(3)If the following phenomena are found, the problem is not from the air-conditioner itself.

NO.	Problems	Causes
1	The motor is heard operating but the air-conditioner dose not work when the indoor unit is powered on	Since the air-conditioner is powered on, it will come to working condition as long as you press the ON/OFF button of the remote control and the Signal is well received.
2	The compressor stops running but the indoor fan motor keeps working when it is at cooling mode with the indoor temperature higher than set temperature.	If you turn off the air-conditioner and restart it immediately, it will return to normal in 3 minutes, after that, the air-conditioner will automatically adjust the indoor fan speed to what you set.
3	The compressor works discontinuously at dehumidifying mode.	The air-conditioner will automatically control the working of the compressor according to the inside temperature
4	The air-conditioner does not work while the LED display is on.	The TIMER is set with the air-conditioner; it will be in hold on condition. If the TIMER setting is cancelled, the air-conditioner will return to normal working condition
5	The compressor works discontinuously at cooling and dehumidifying mode, and the indoor fan motor slows down.	The compressor stops internally or the fan motor slows down to prevent the indoor heat exchanger from being frozen.

3. The Indoor Fan Motor Does Not Work

(1) Items

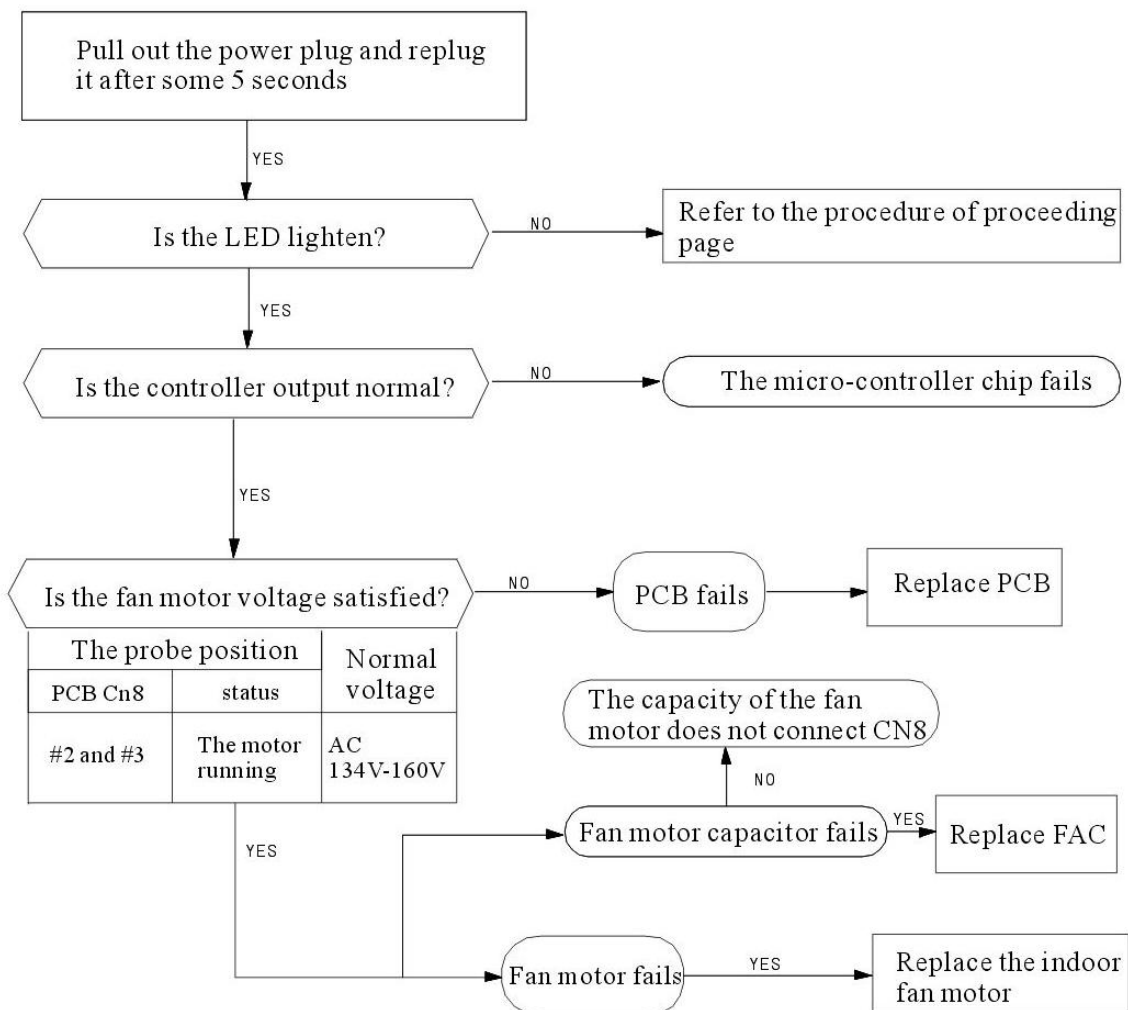
a) Check if the indoor fan motor is connected correctly to the connector (CN8)?

b) Check if the AC input voltage is correct?

c) Check if the IC of indoor fan motor is connected correctly to the connector (CN2)?

d) Check if the capacity of indoor fan motor is connected correctly to the connector (CN8)?

(2) Trouble shooting procedure

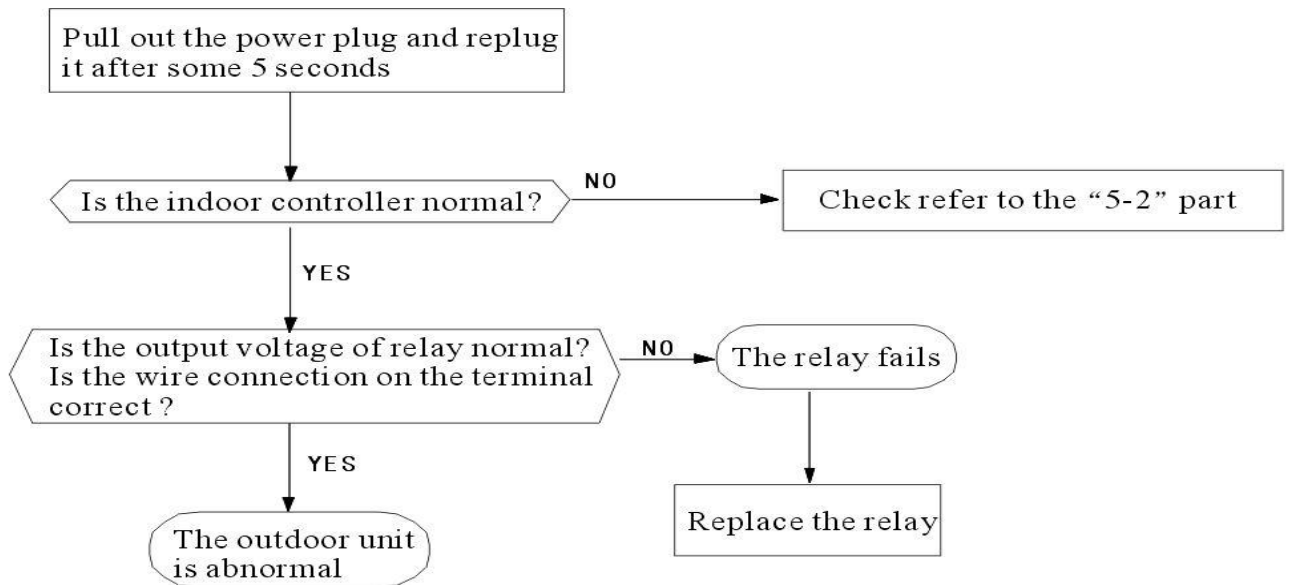


4. The Outdoor Unit Does Not Work

(1) Items

- a) Check if the input voltage is correct?
- b) Check if the wire connection of the outdoor connecting terminal is correct?

(2) Trouble shooting procedure



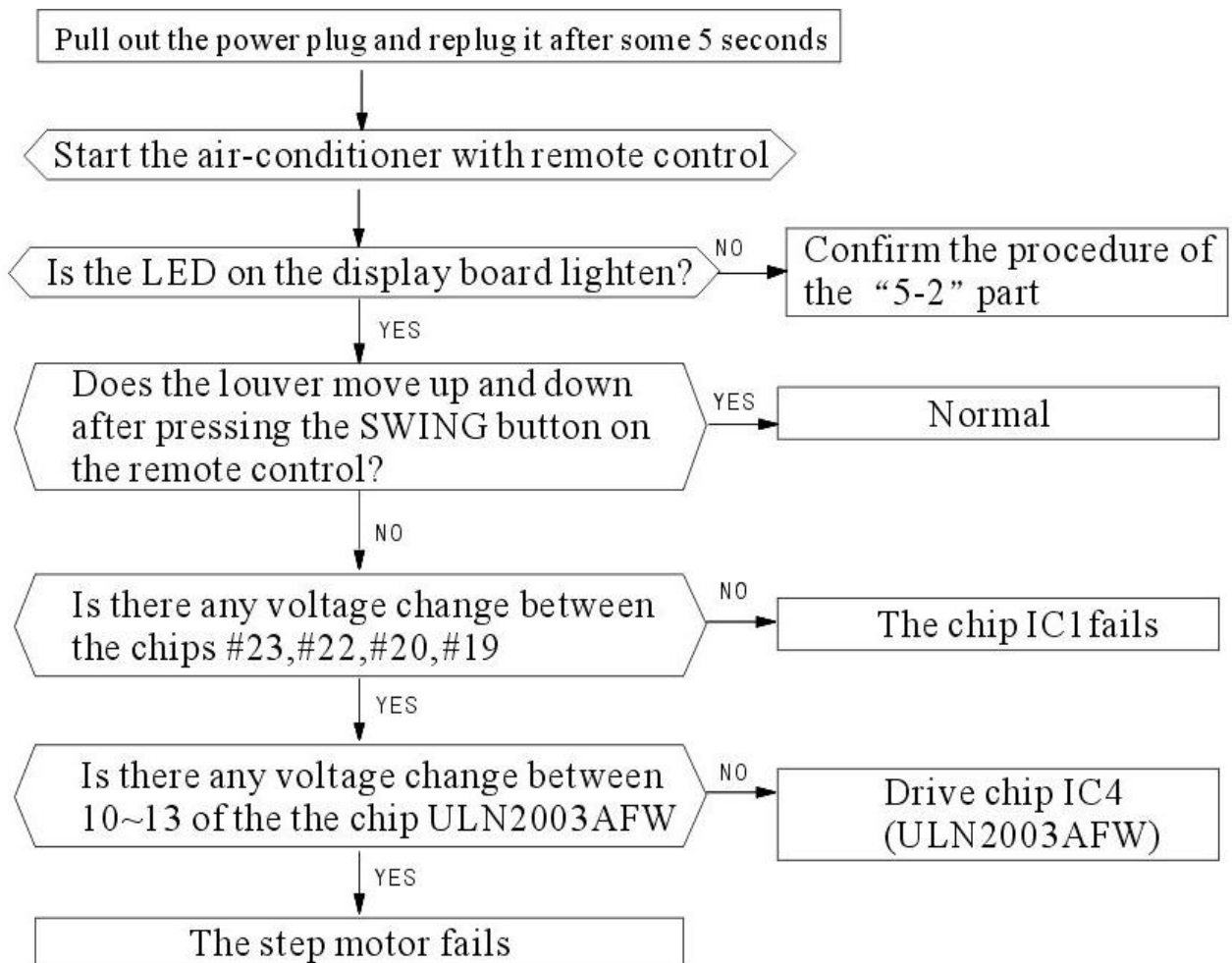
5. The Step Motor Does Not Work

(1)Items

a) Check if the input voltage is correct?

b) Check if the step motor controlling the up-down movement firmly connected to Cn2?

(2)Trouble shooting procedure



6. Remote Control Can Not Work

Trouble shooting rocedure

