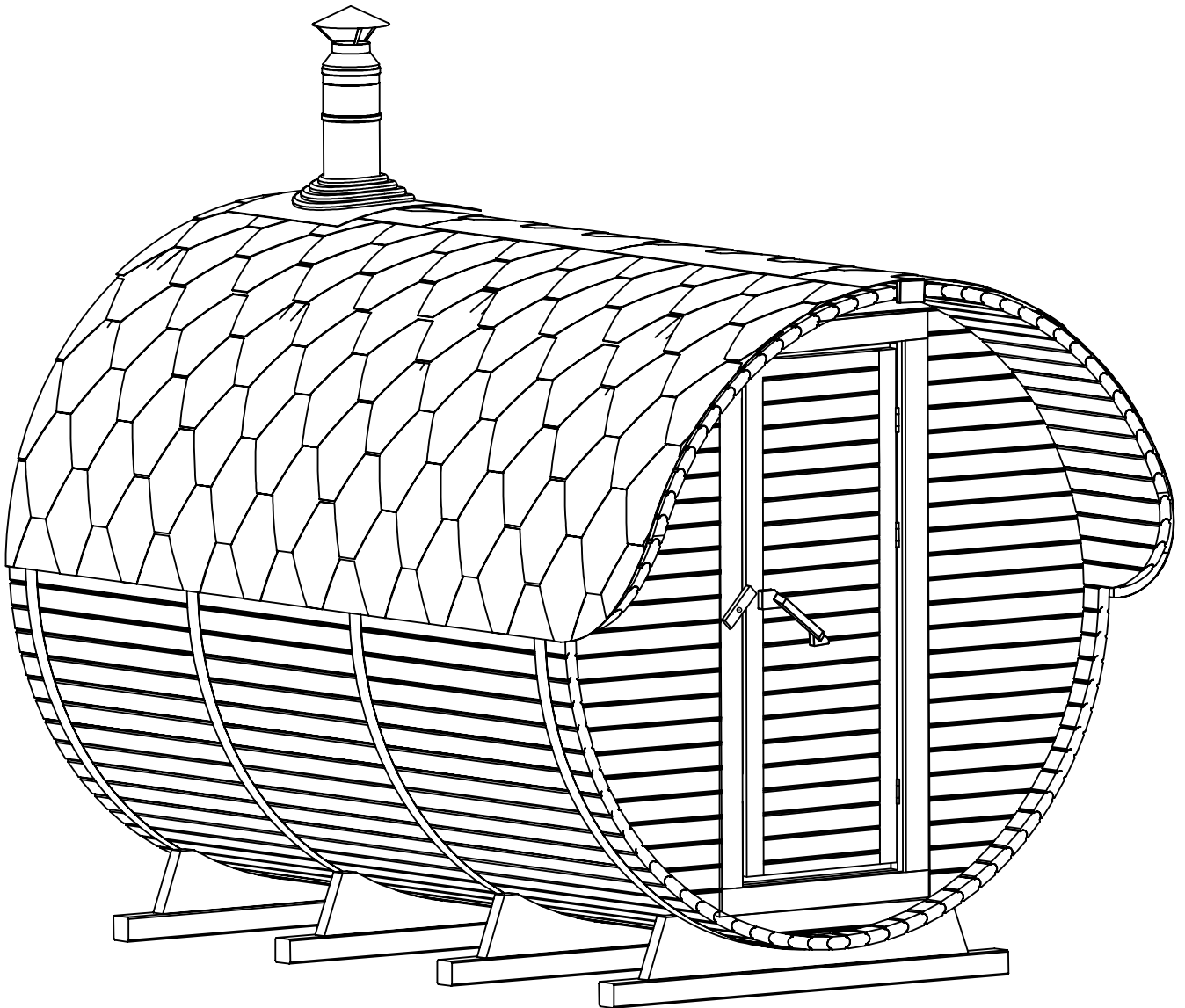
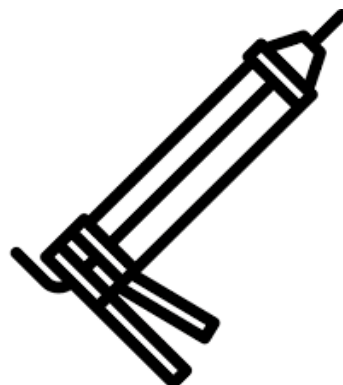
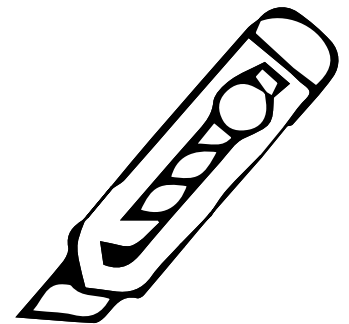
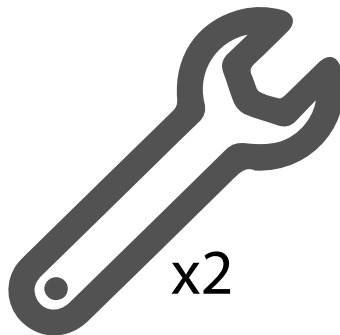
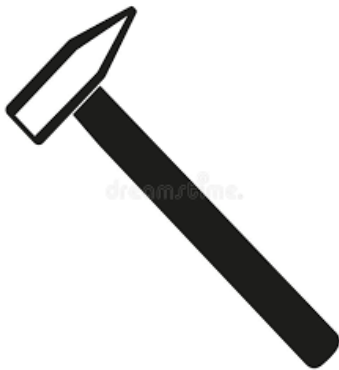
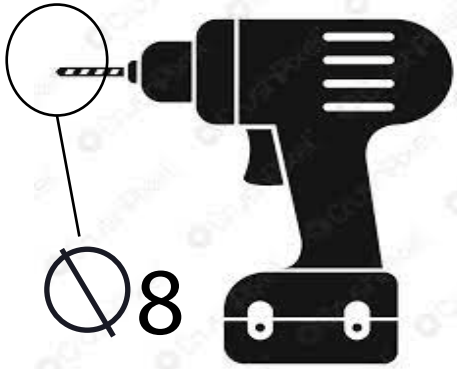
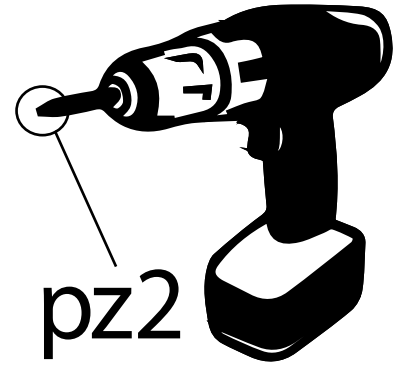
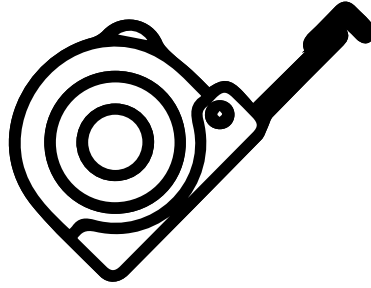
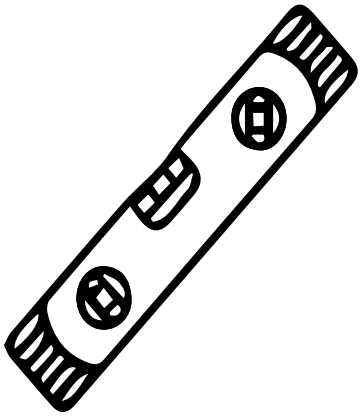
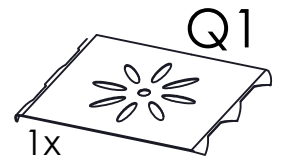
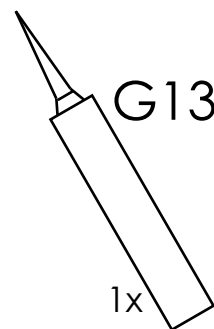
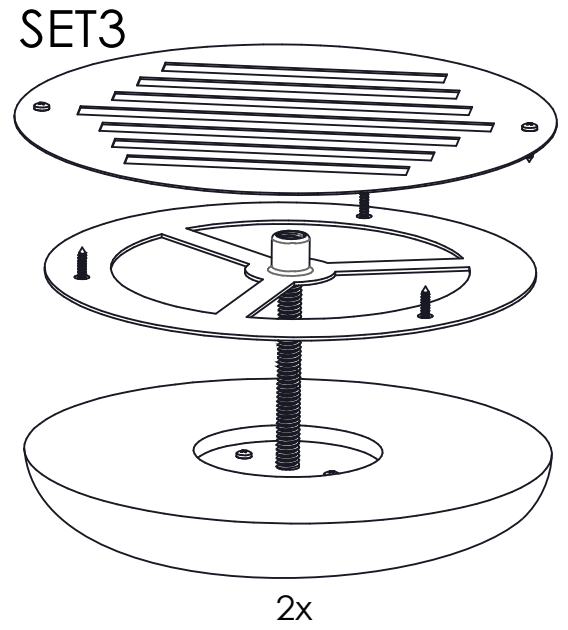
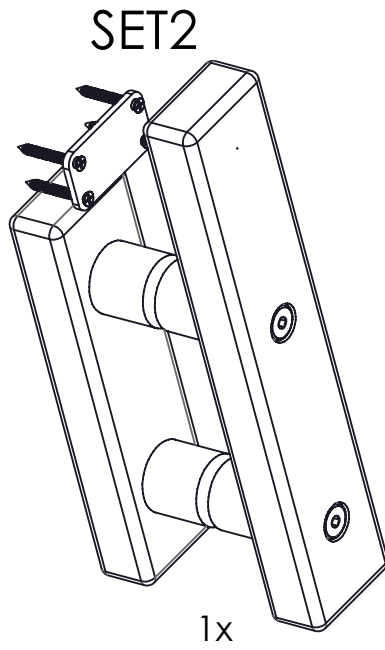
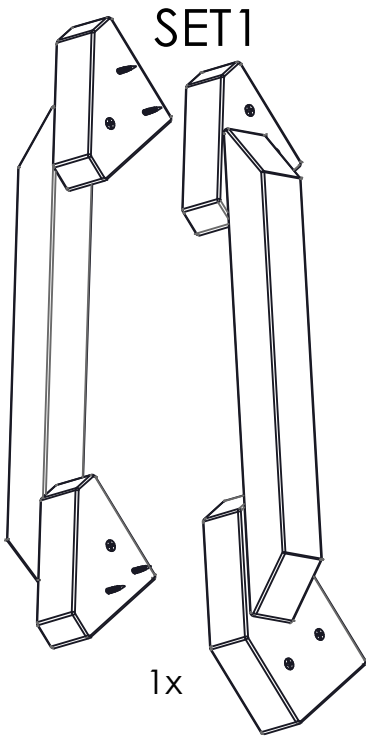
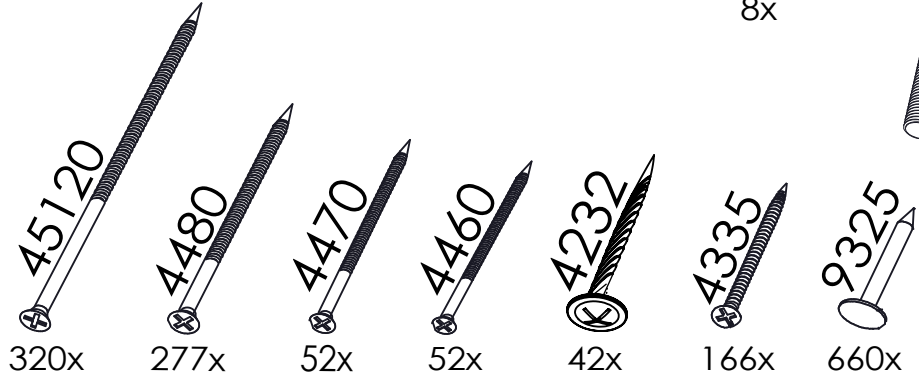
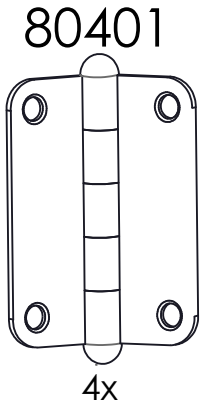
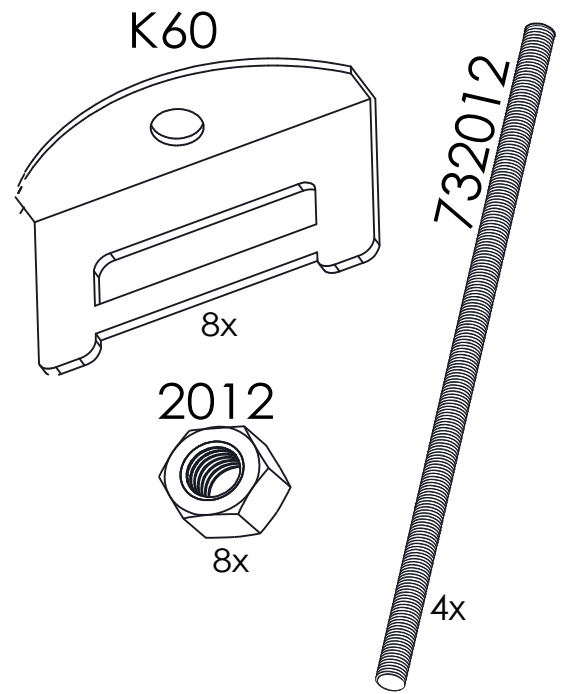
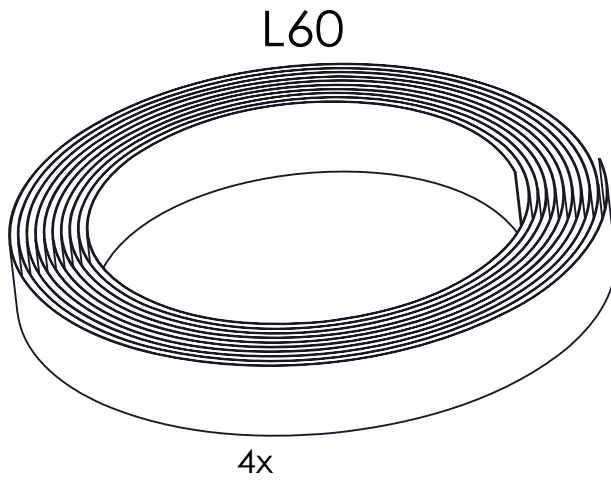
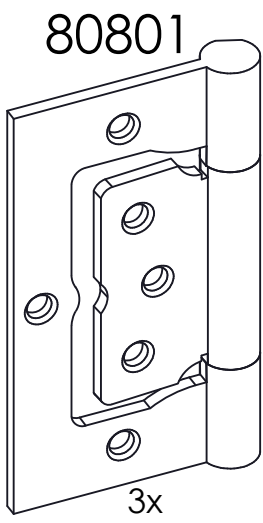


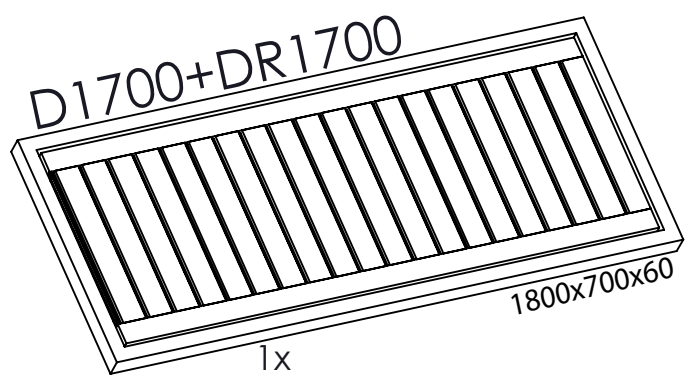
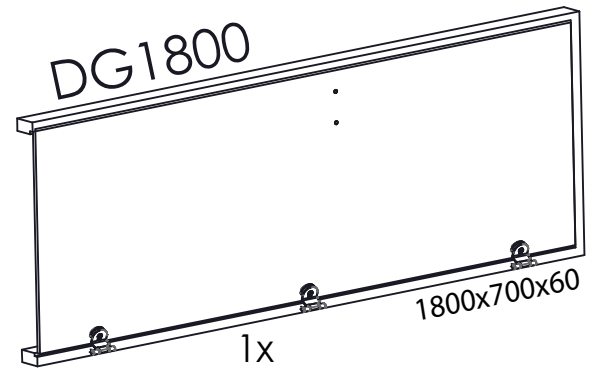
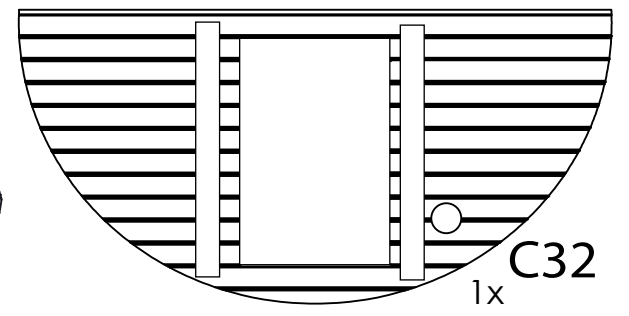
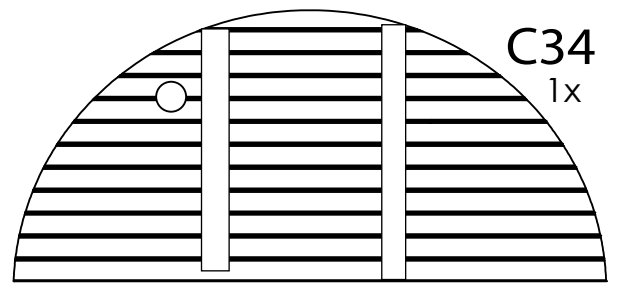
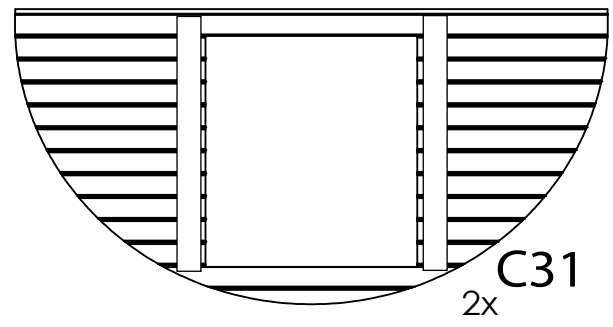
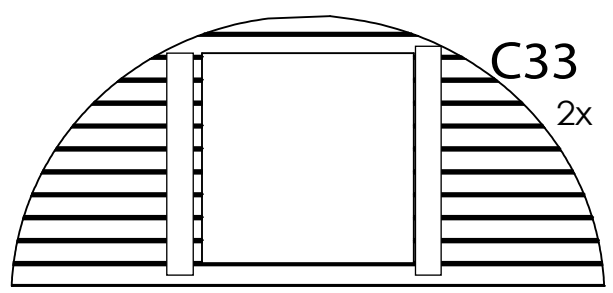
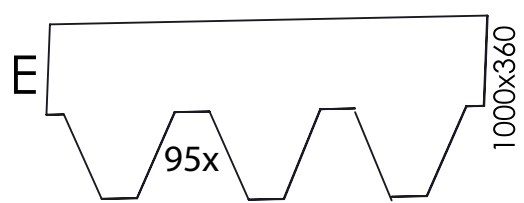
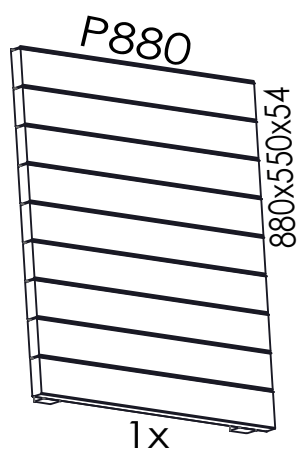
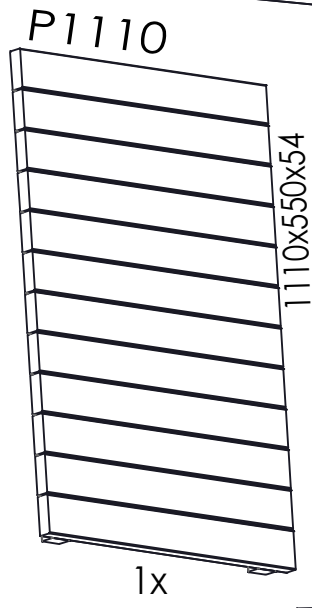
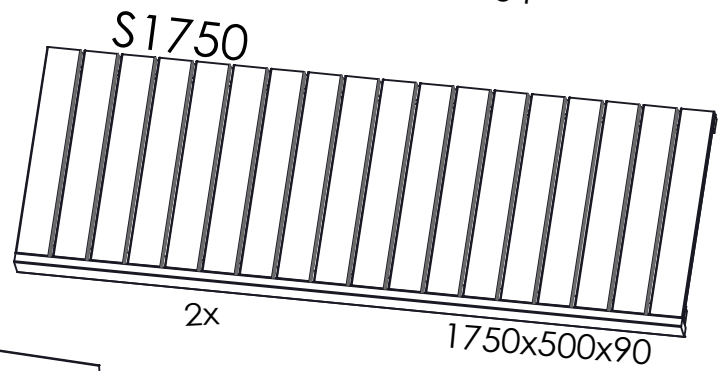
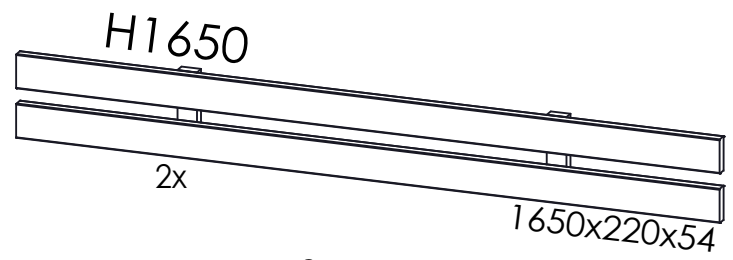
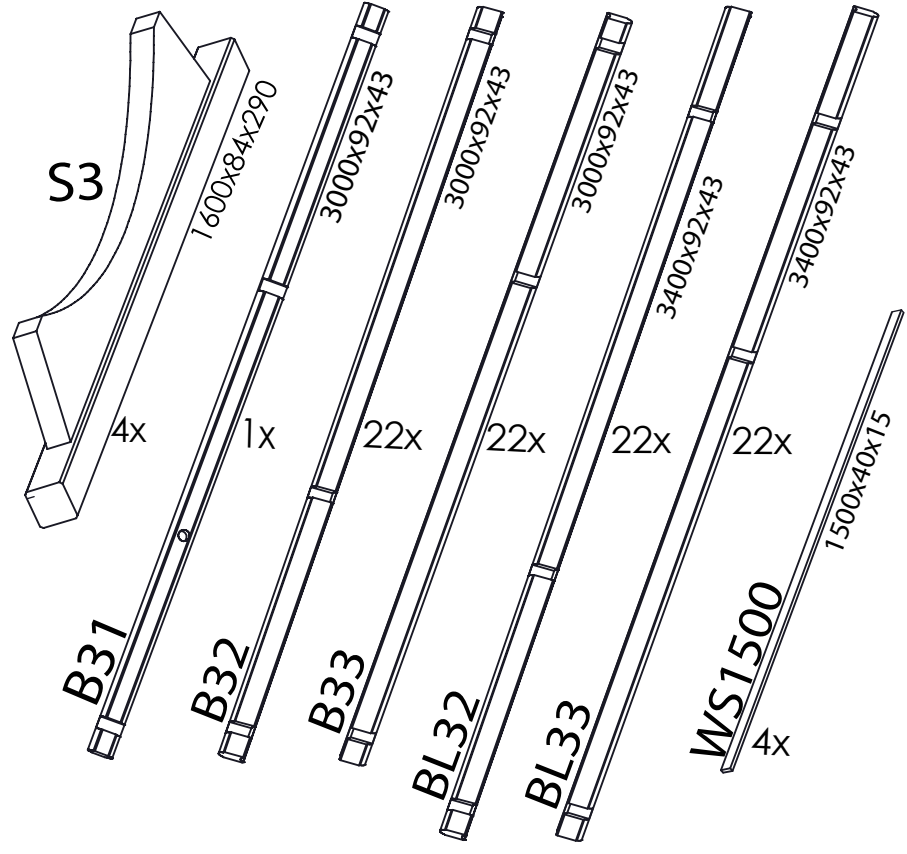
# WOODDEN BARREL SAUNA COMFORTPROM 3m WITH VISOR

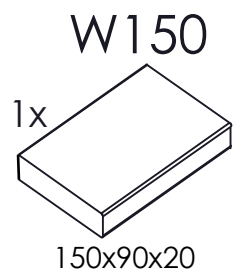
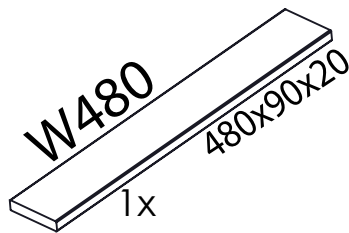
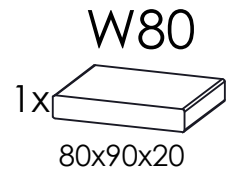
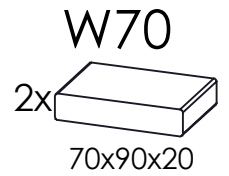
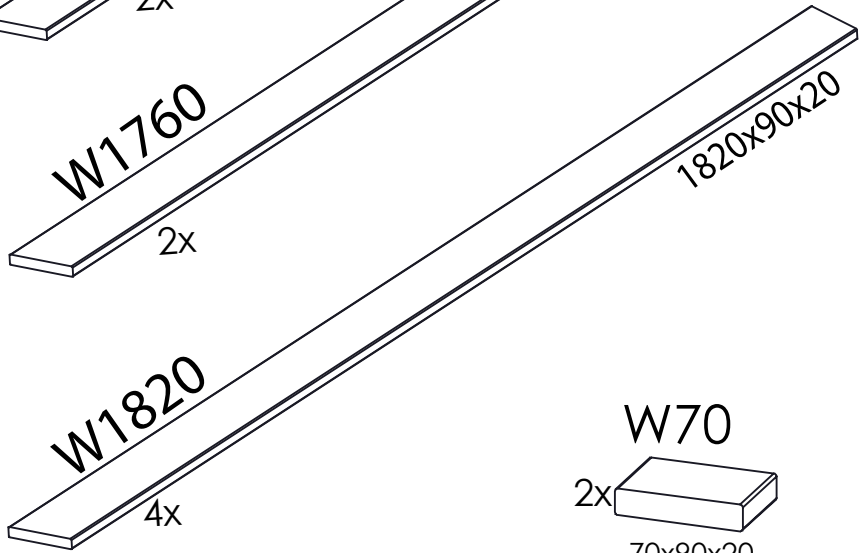
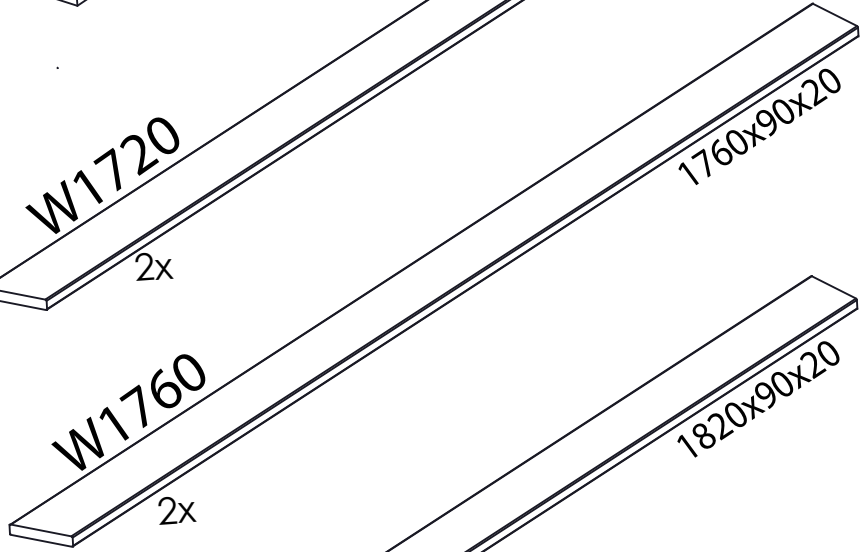
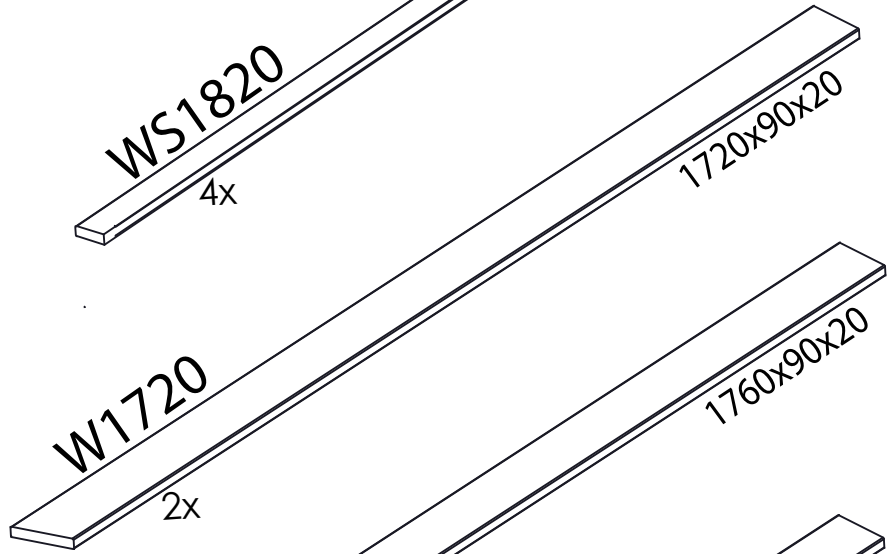
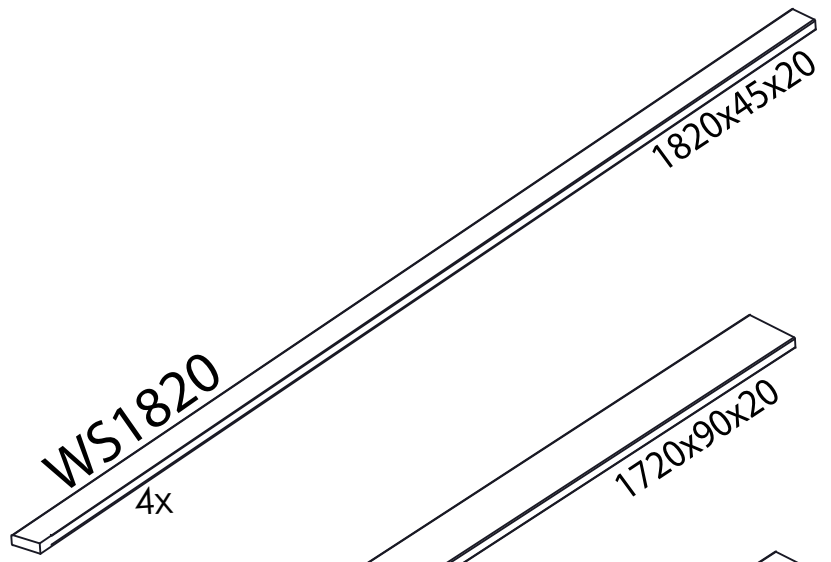
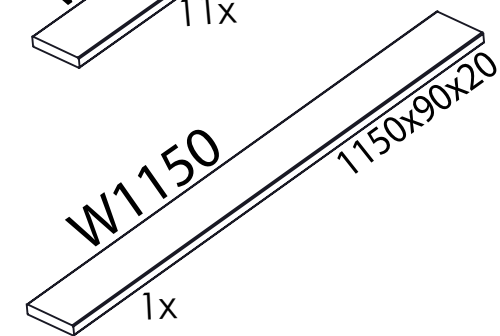
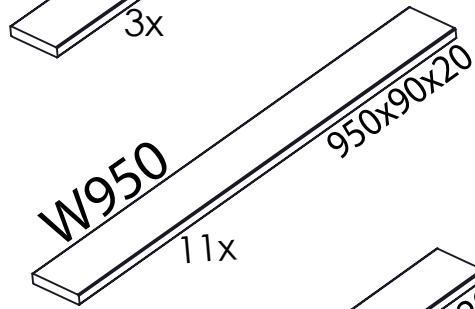
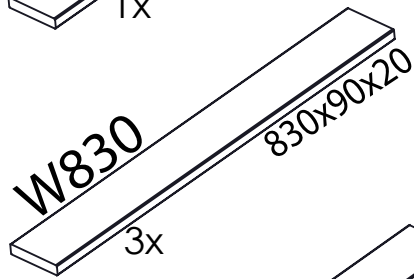
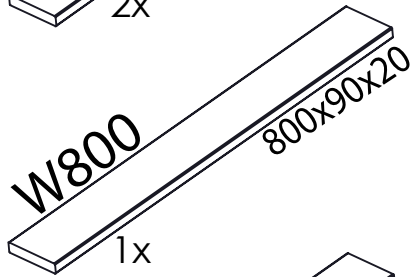
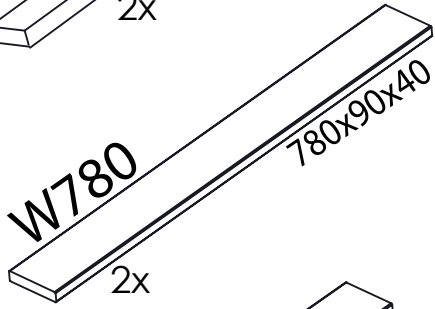
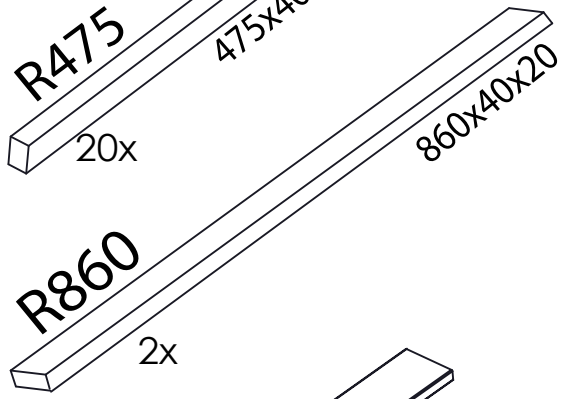
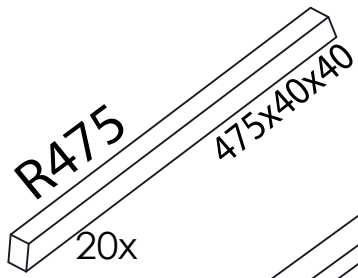


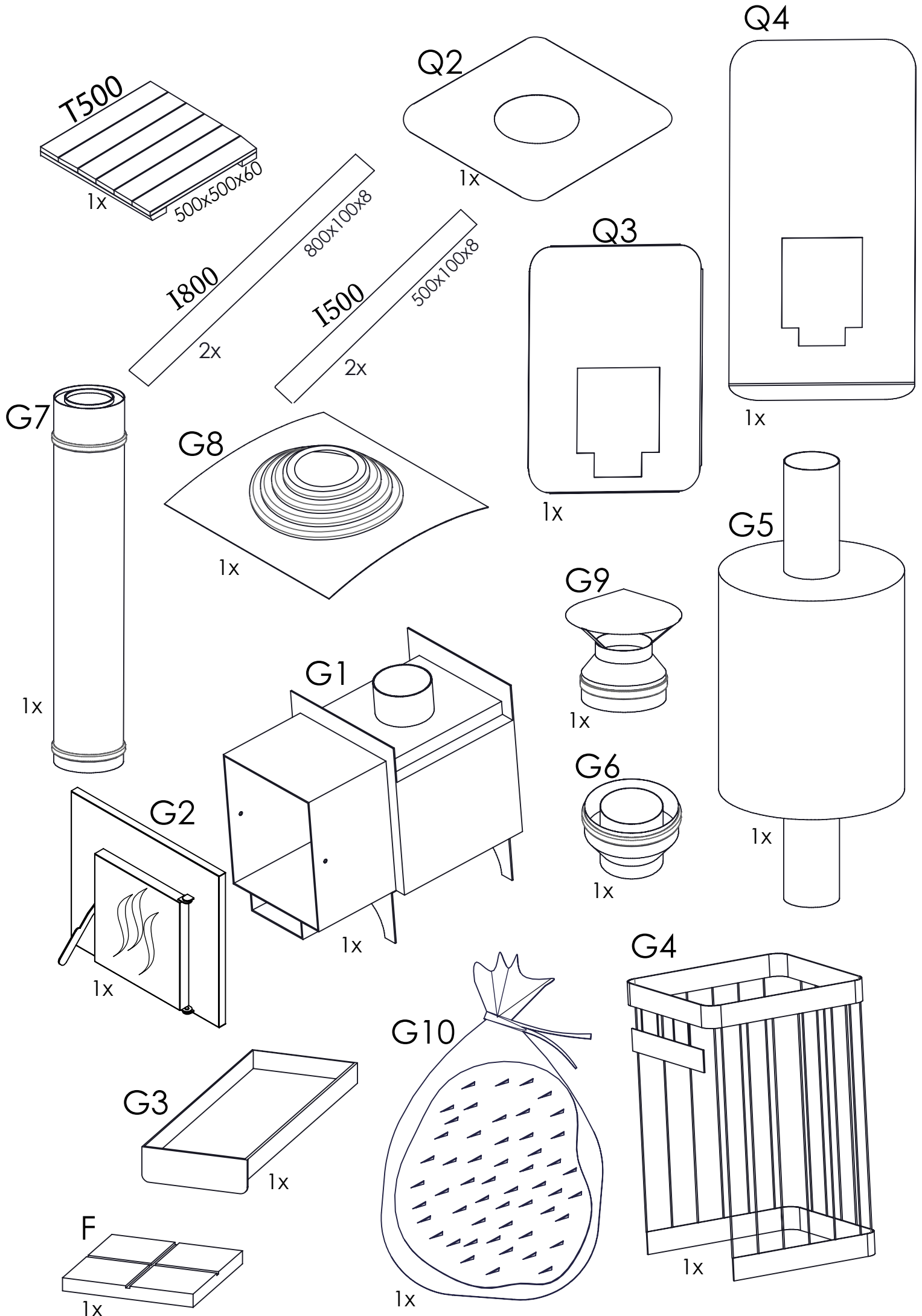
# necessary tools



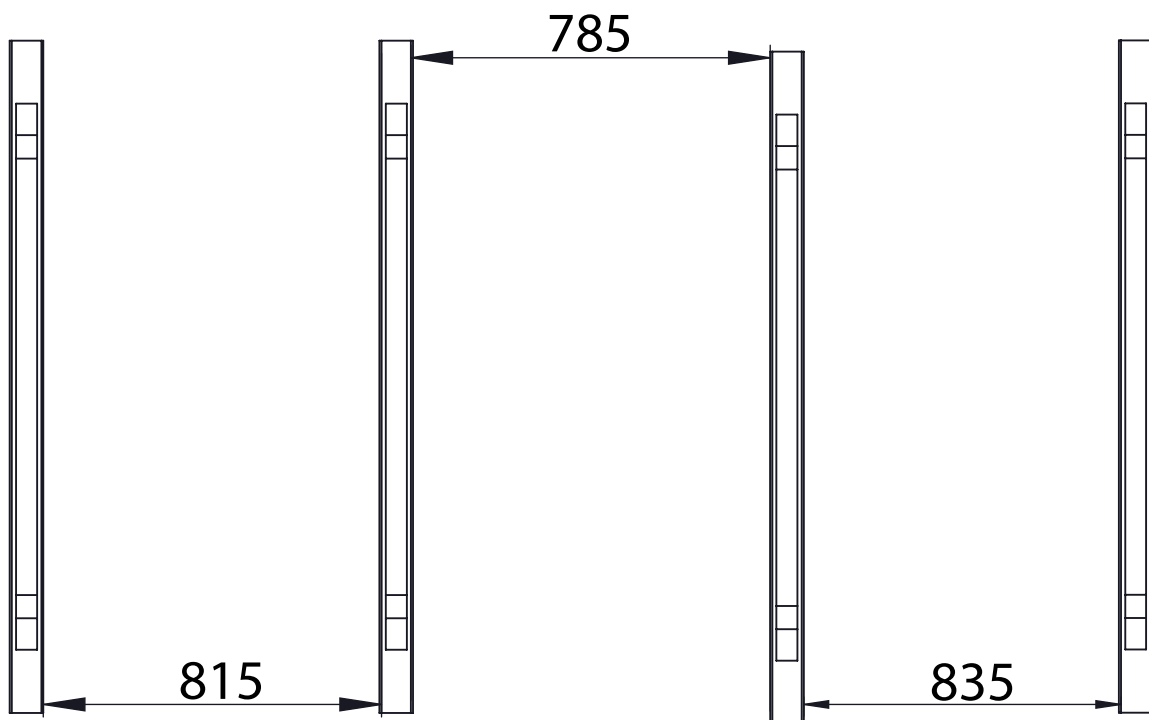
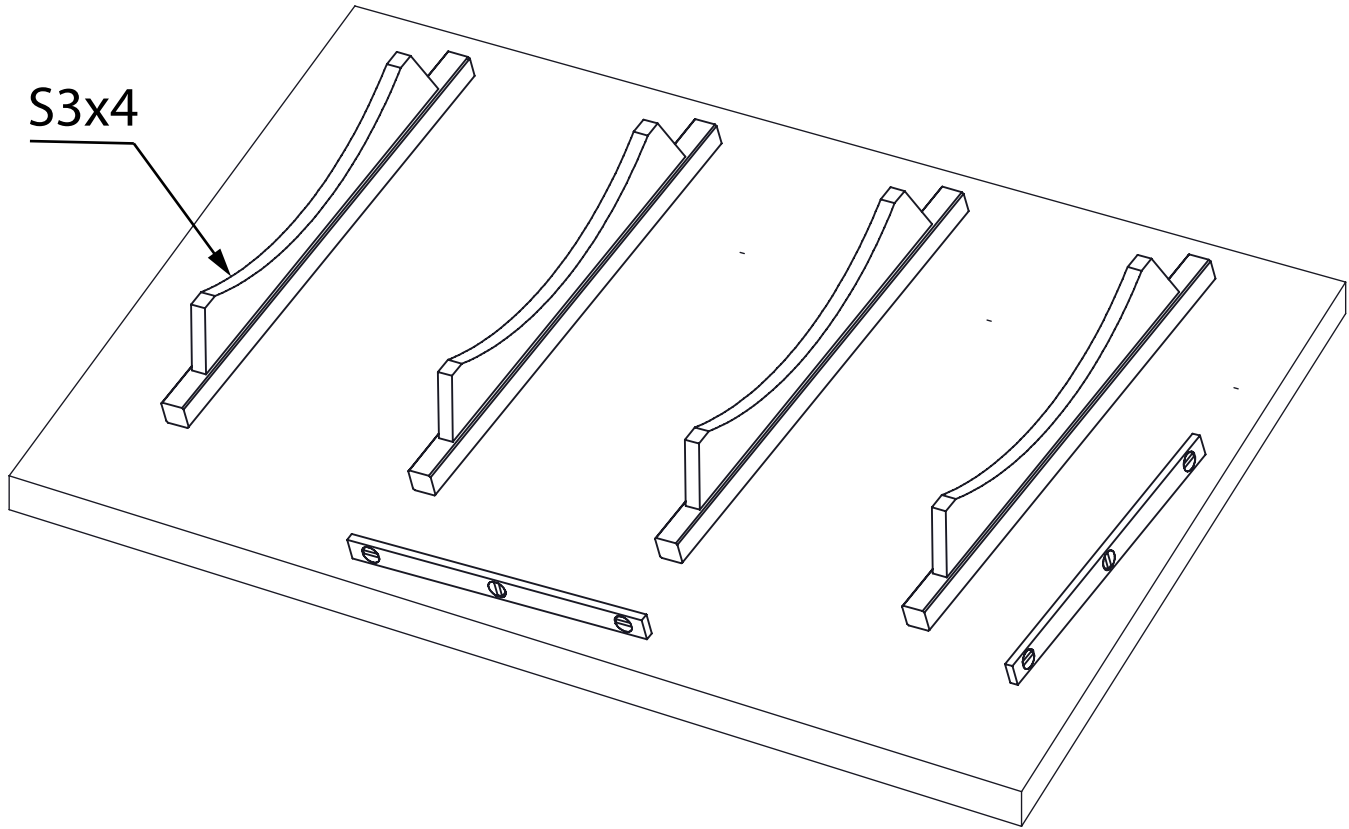
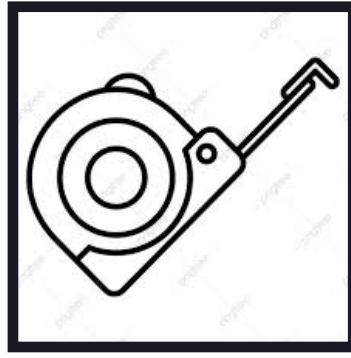
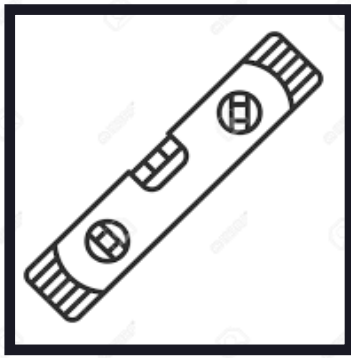


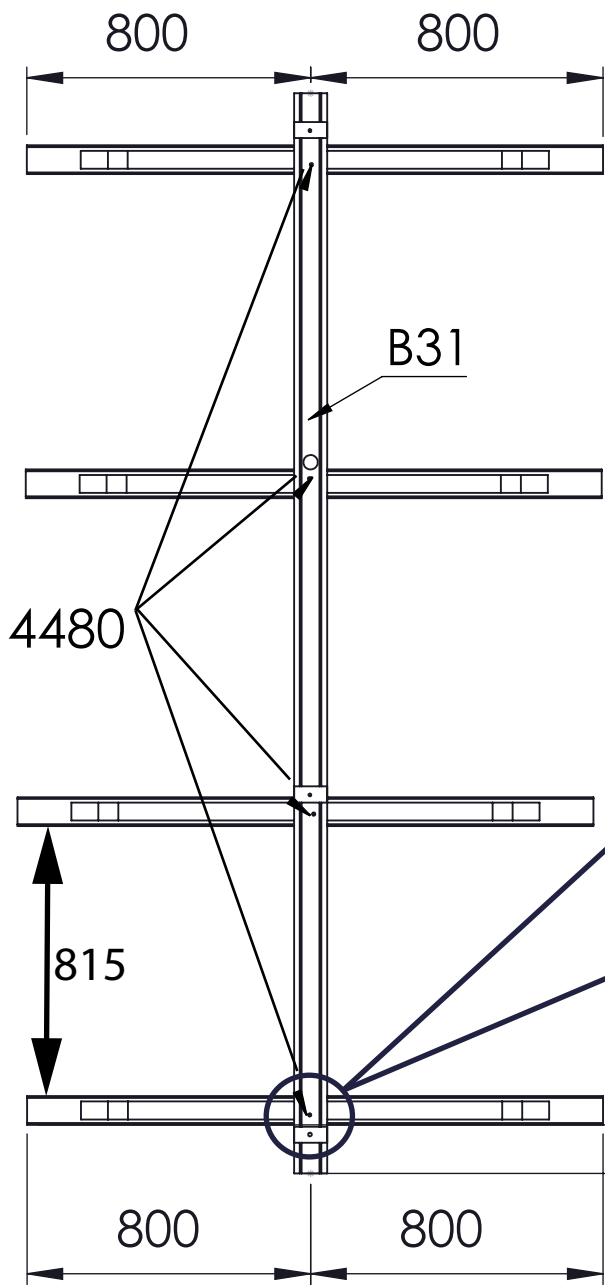




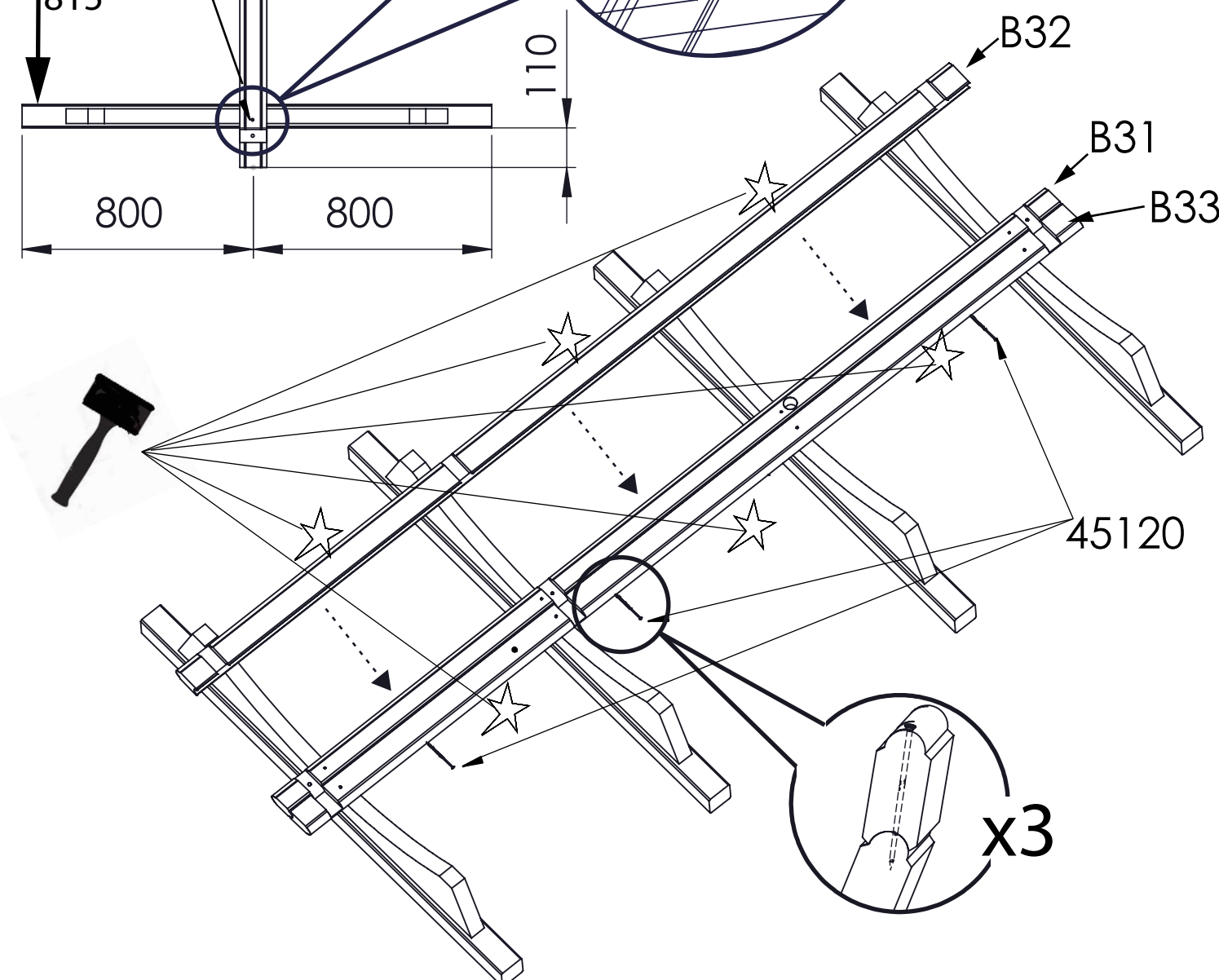
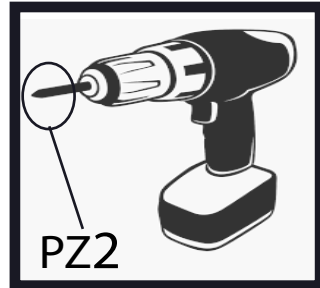


S3 - 4  
G12

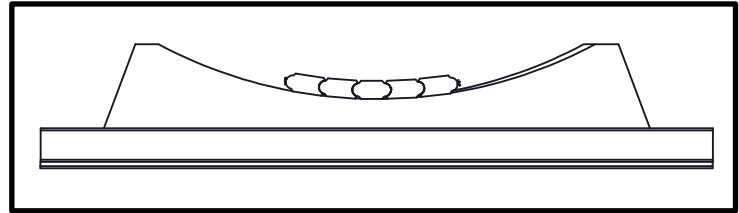
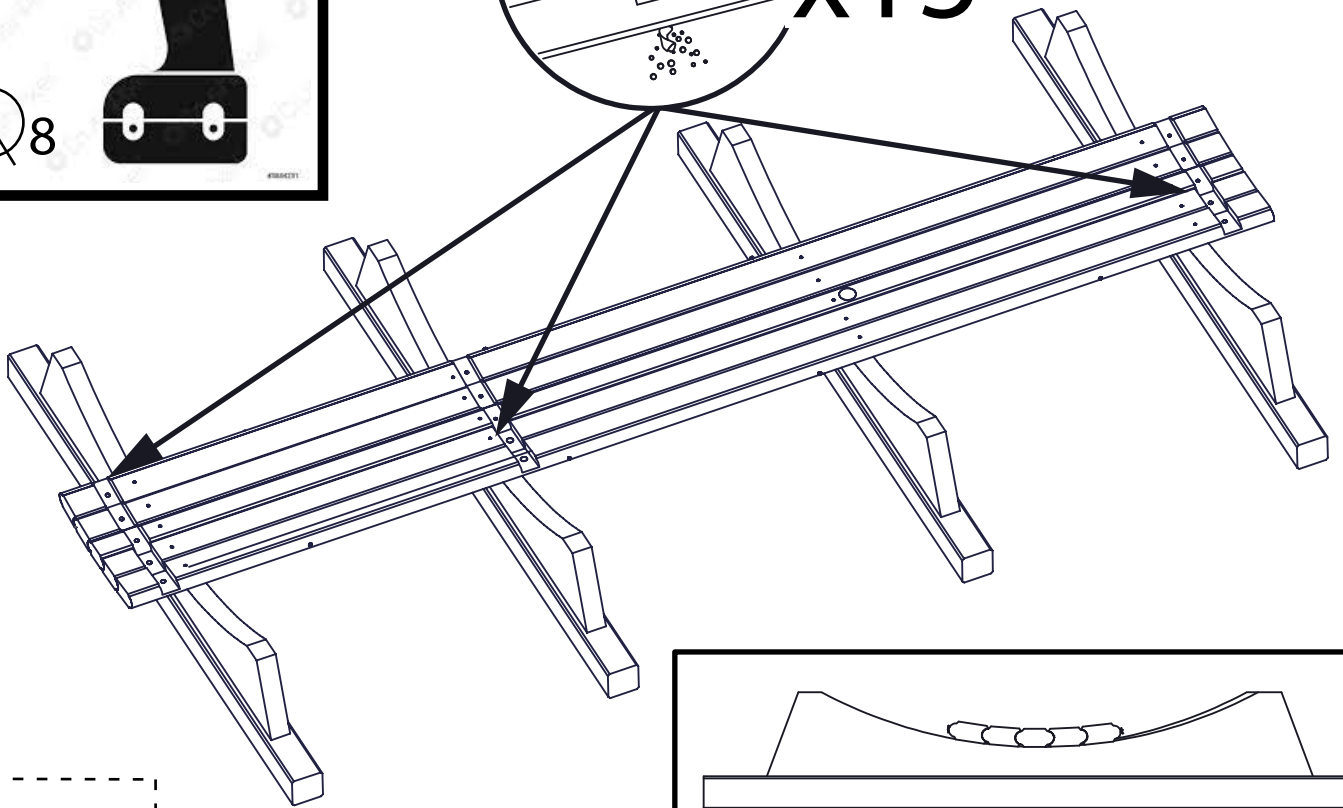
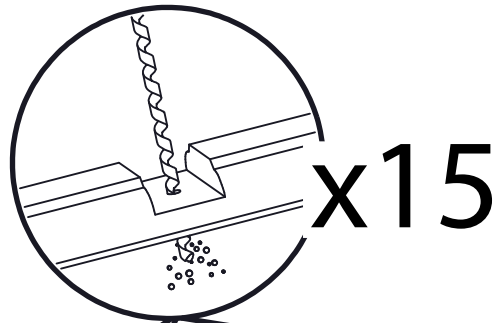
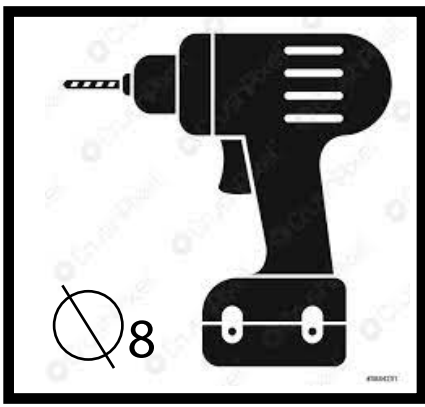




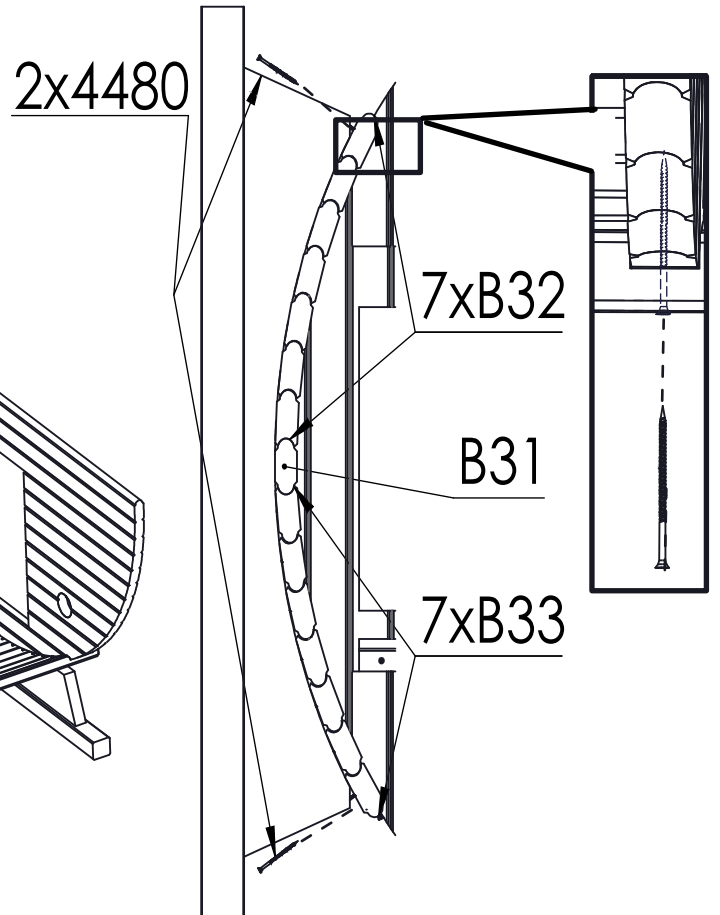
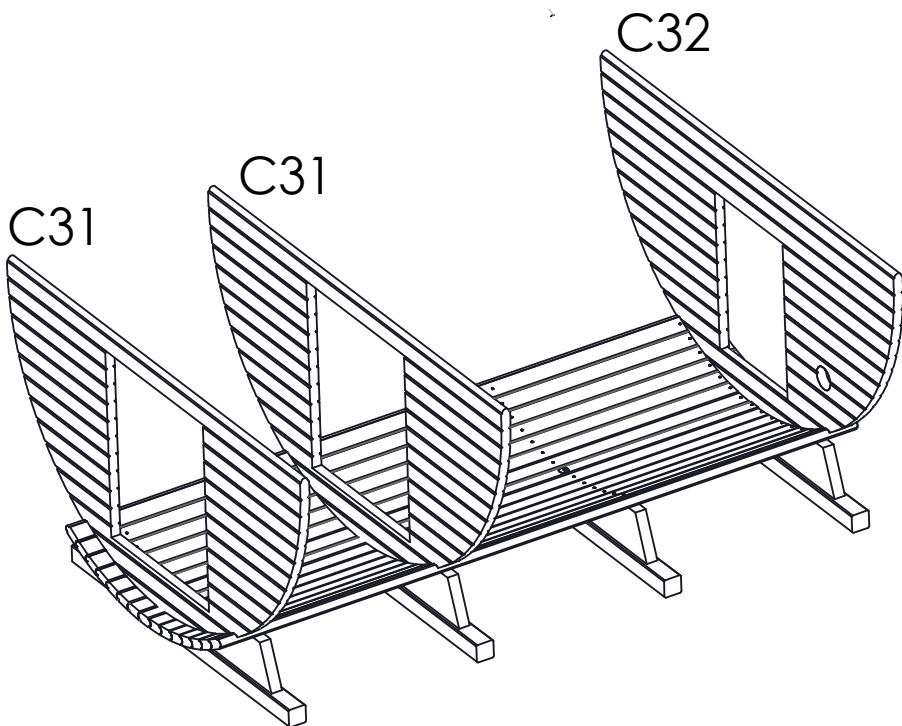
- B31 - 1
- B32 - 2
- B33 - 2
- 4480 - 20
- 45120 - 12
- G12 - *only out side!*



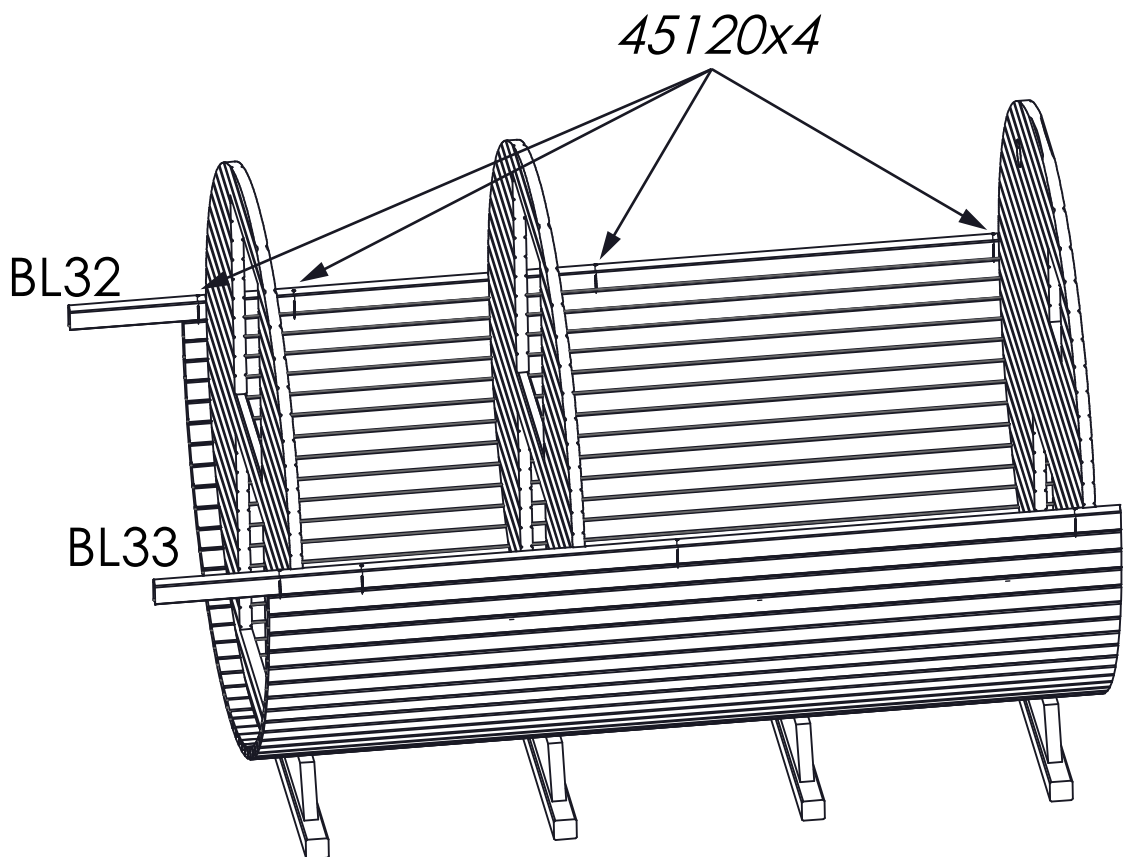
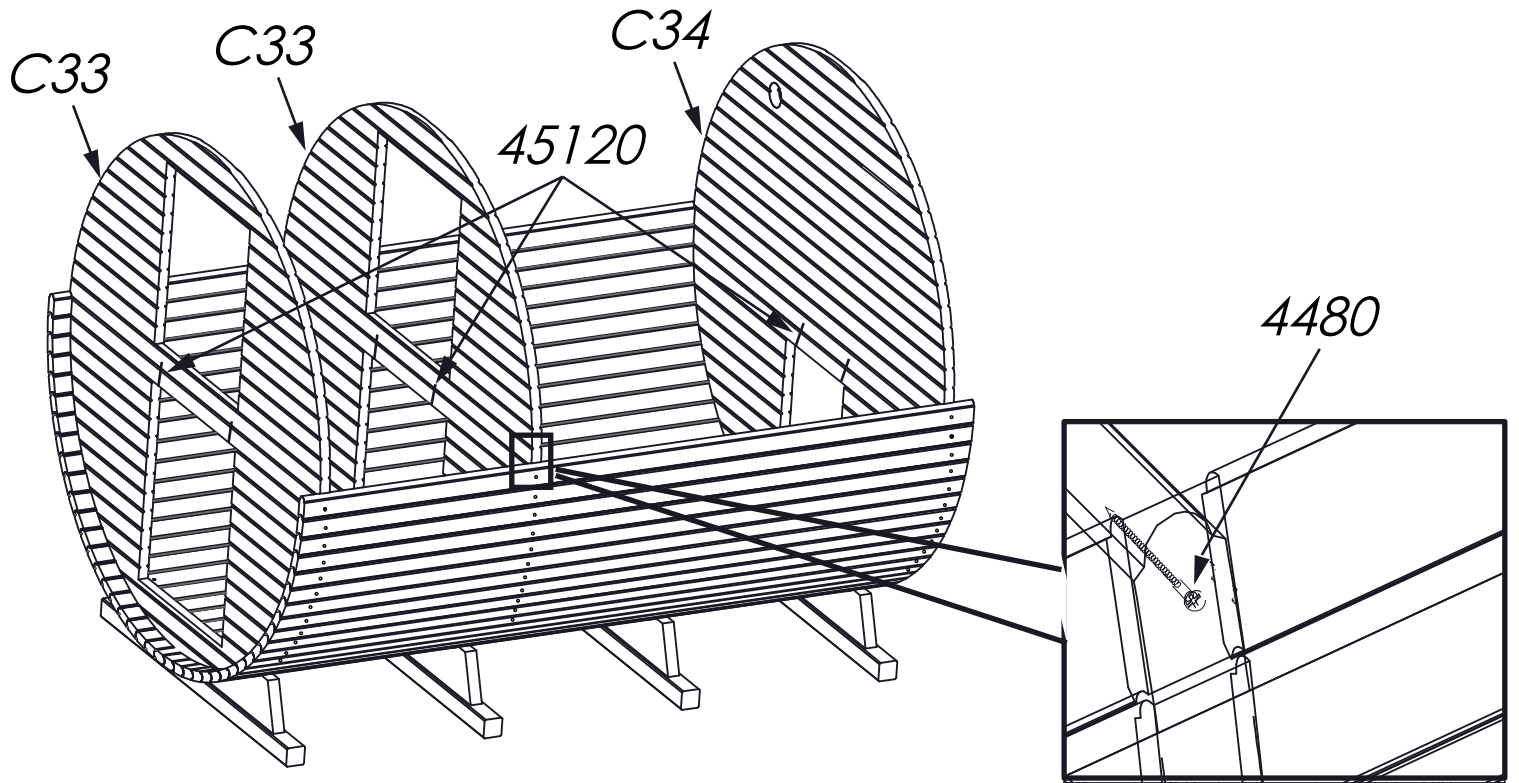




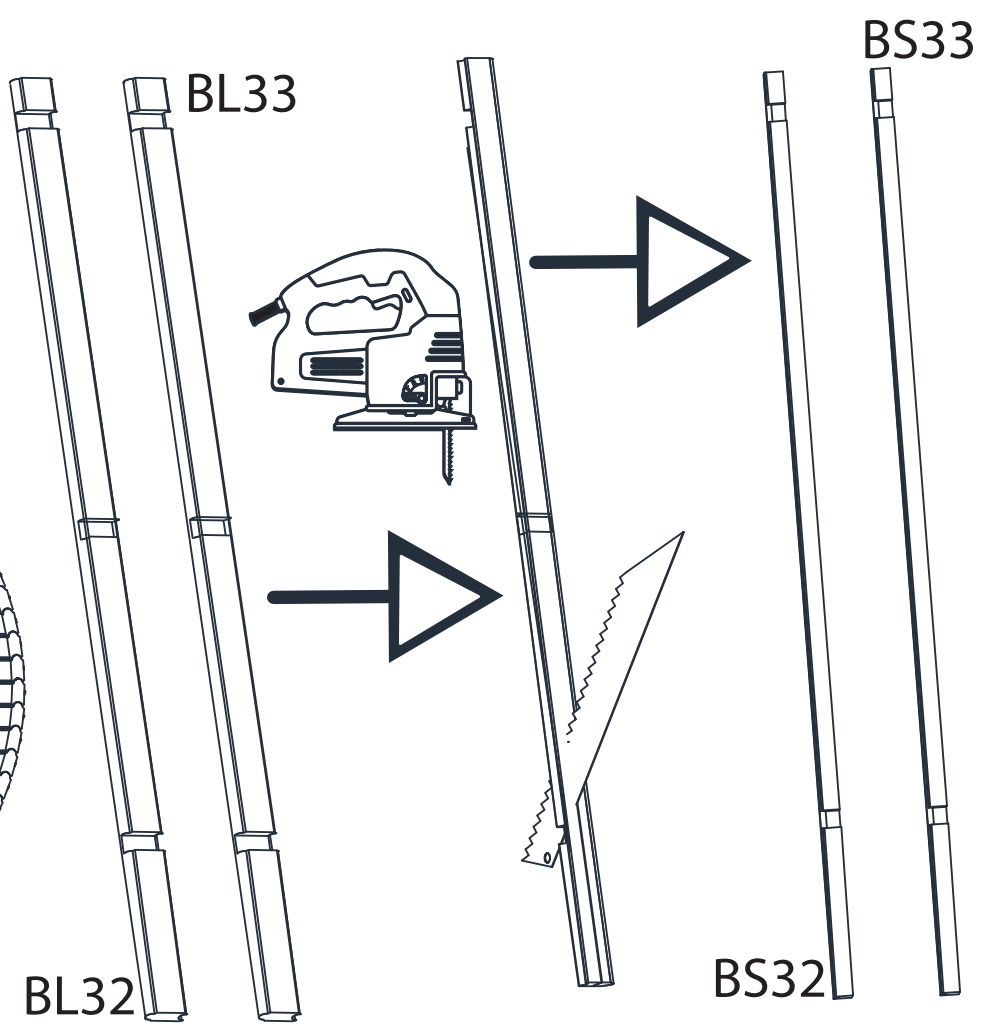
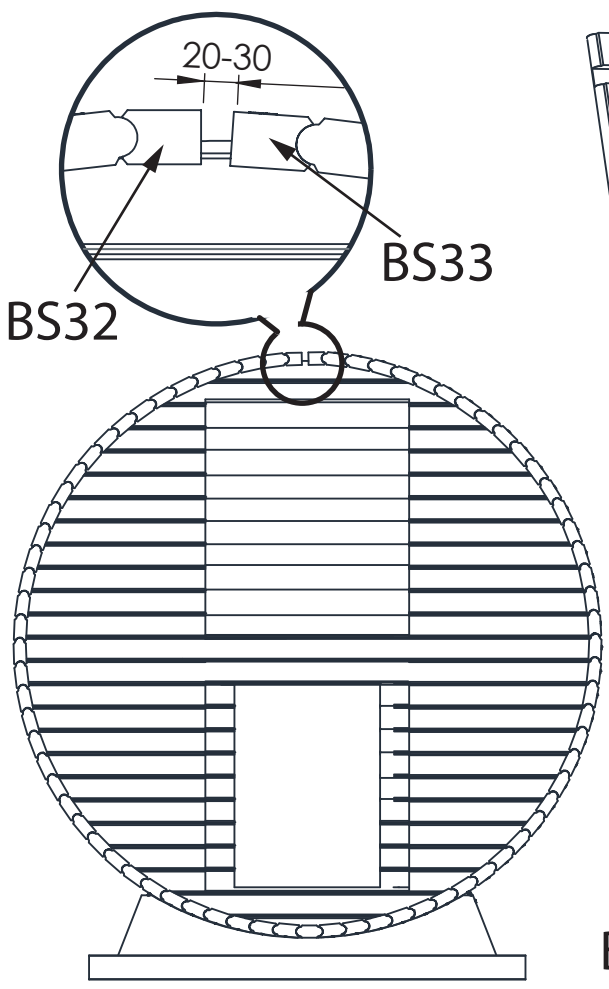
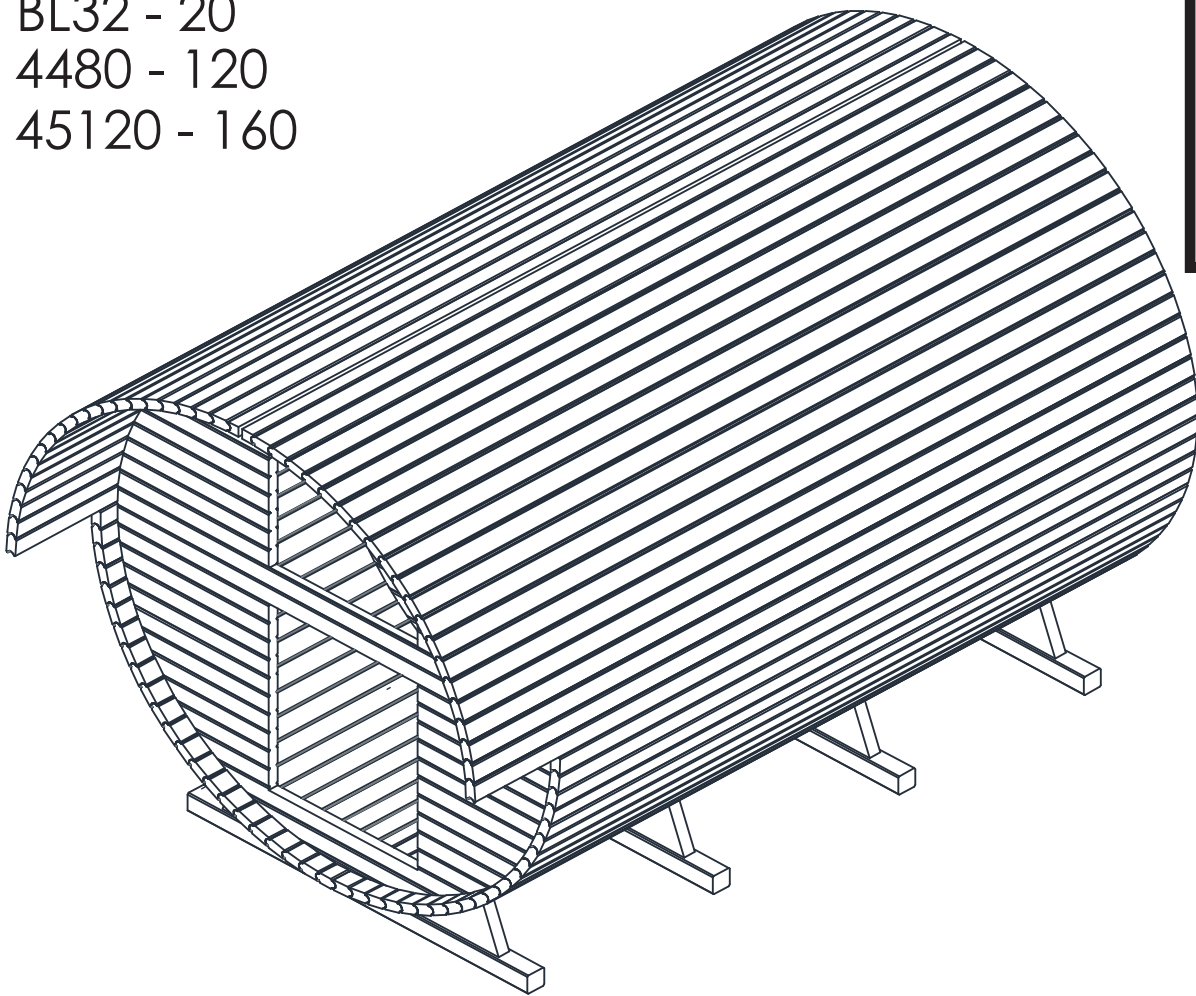
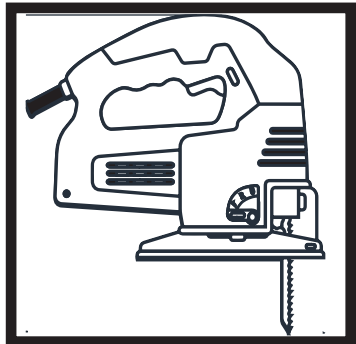
- C31 - 2
- C32 - 1
- B32 - 5
- B33 - 5
- 4480 - 46
- 45120 - 30



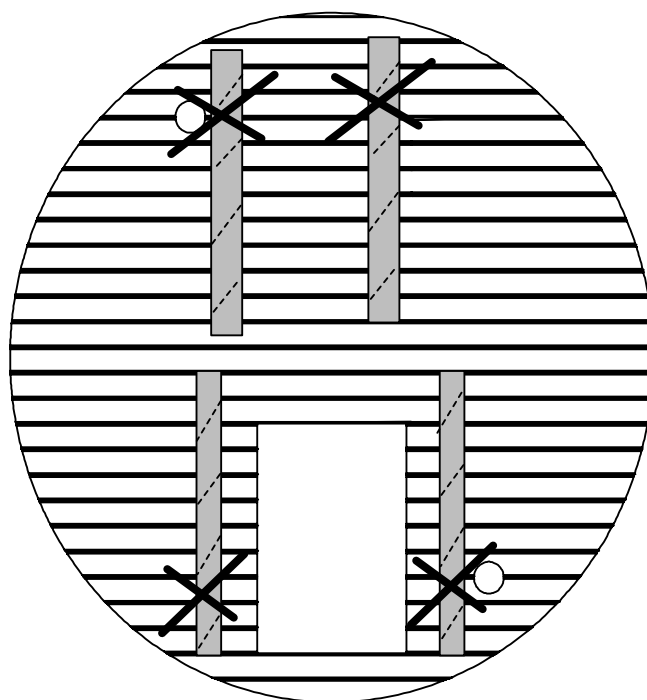
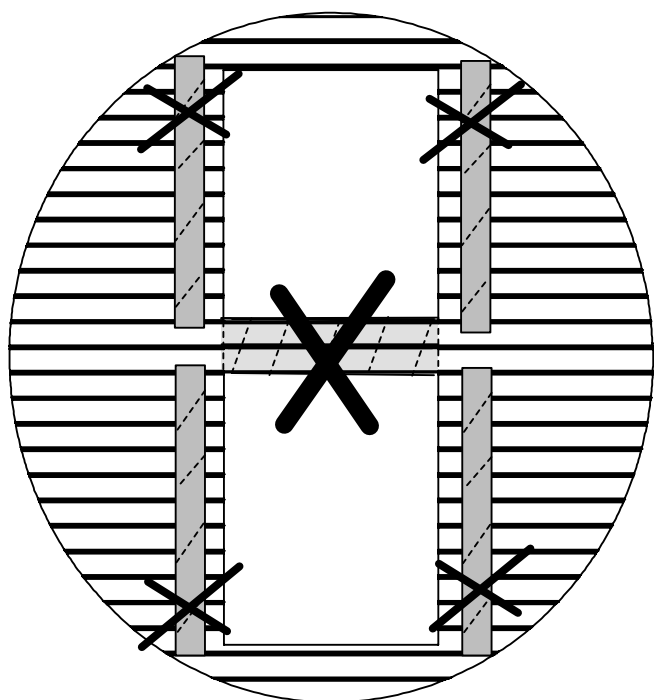
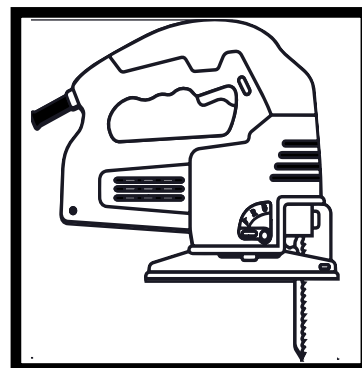
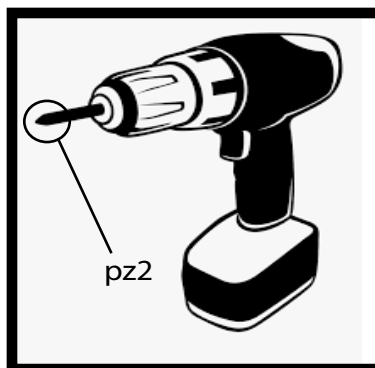
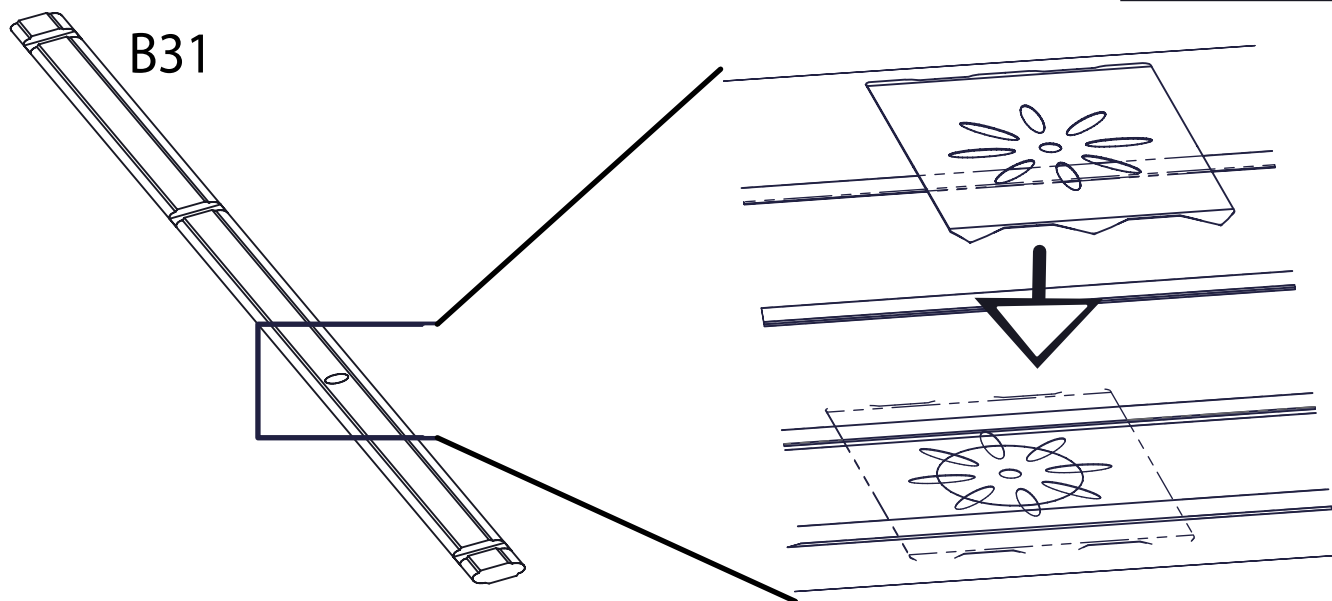
C33 - 2 | BL33 - 1  
C34 - 1 | BL32 - 1  
B32 - 14 | 4480 - 90  
B33 - 14 | 45120 - 98

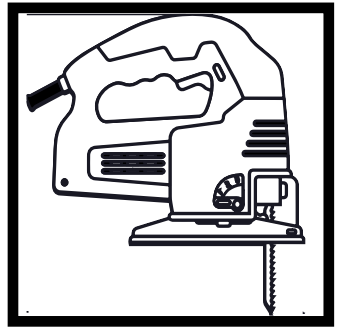
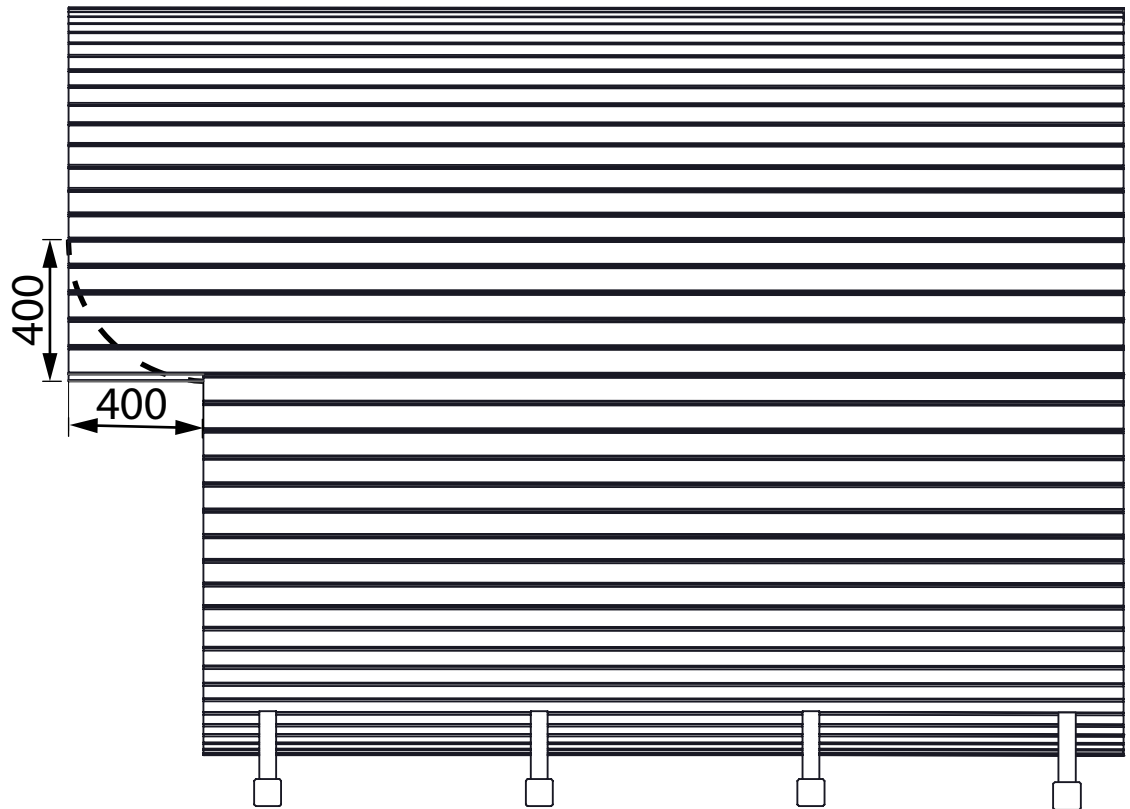


BL33 - 20  
BL32 - 20  
4480 - 120  
45120 - 160

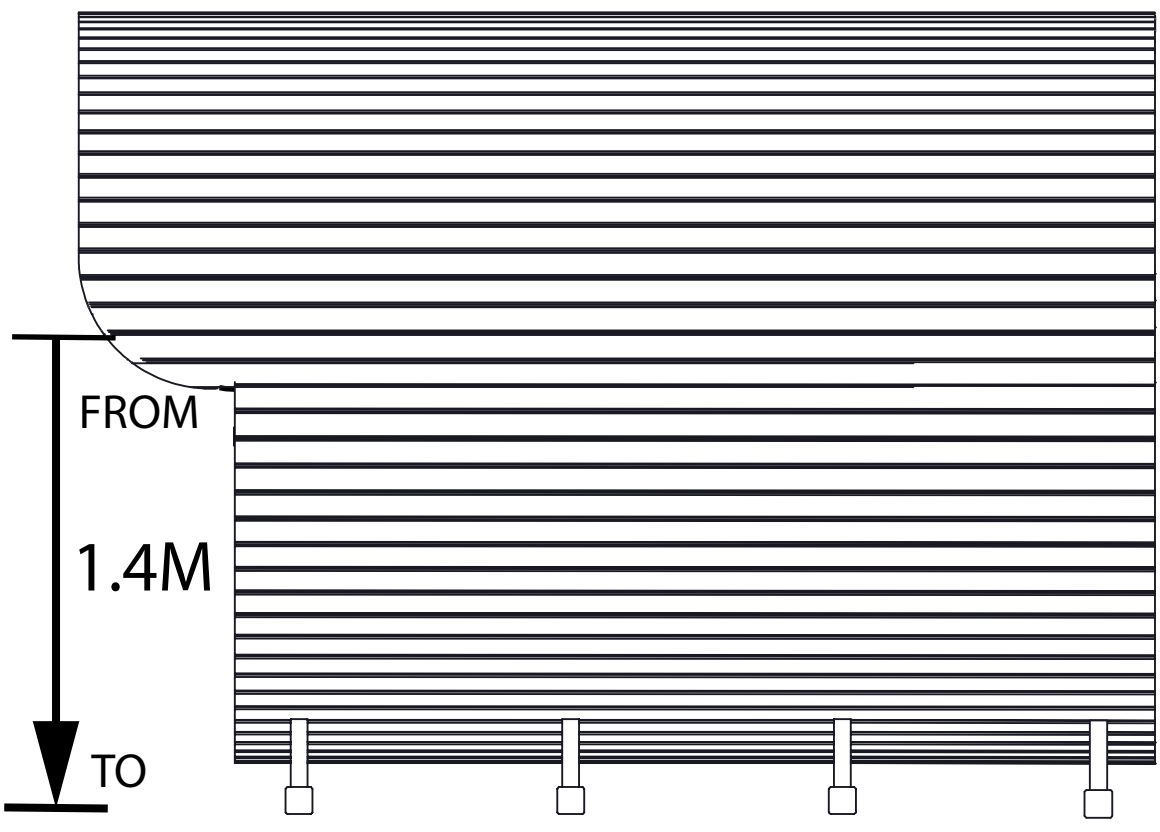
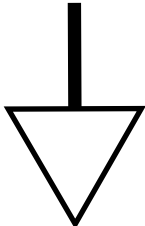


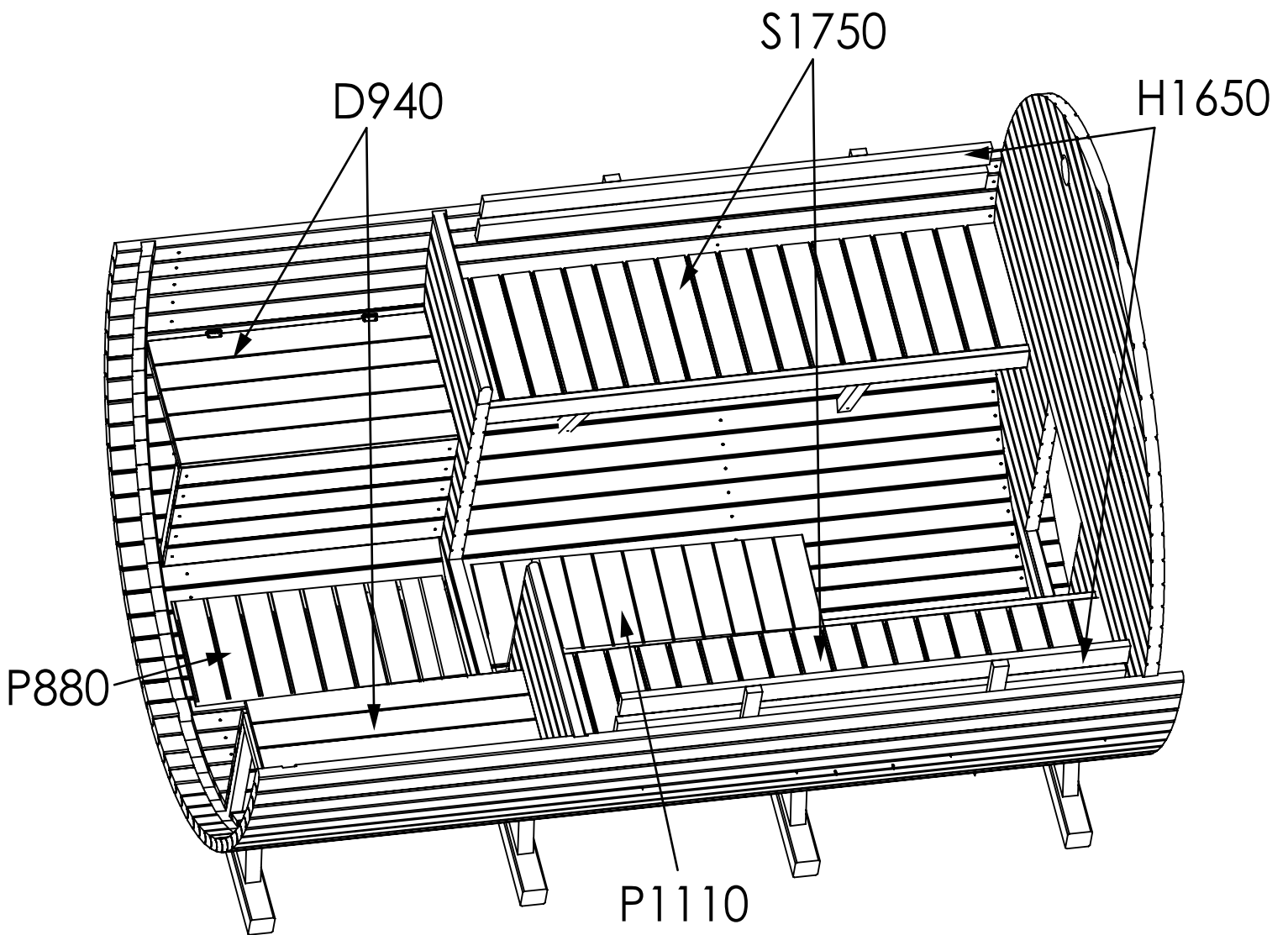
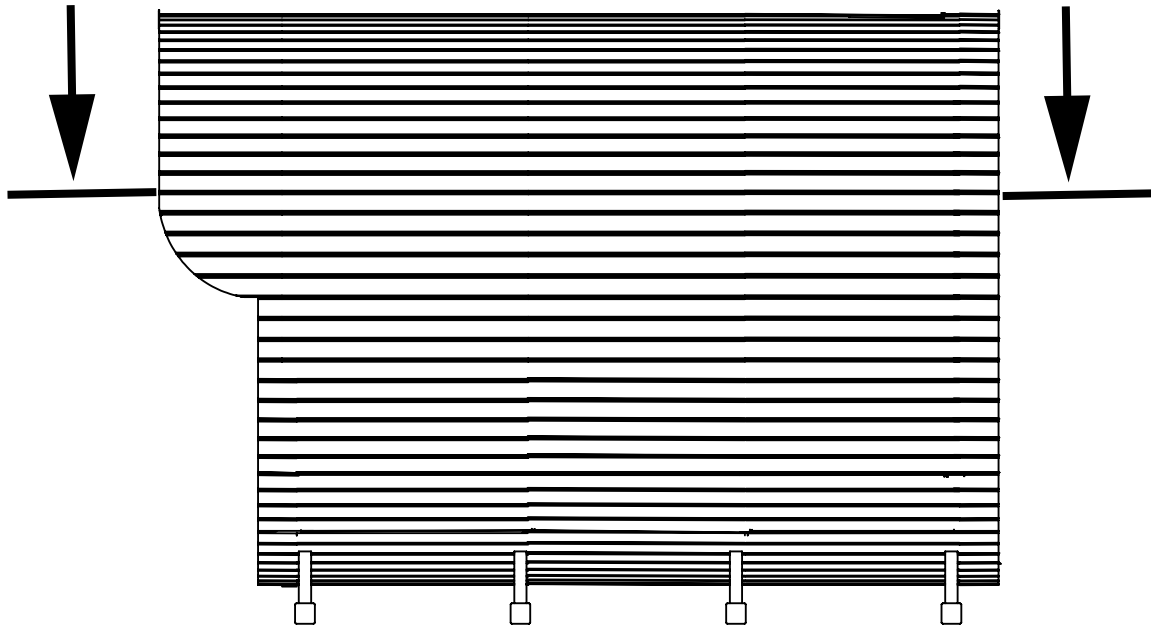
Q1 - 1



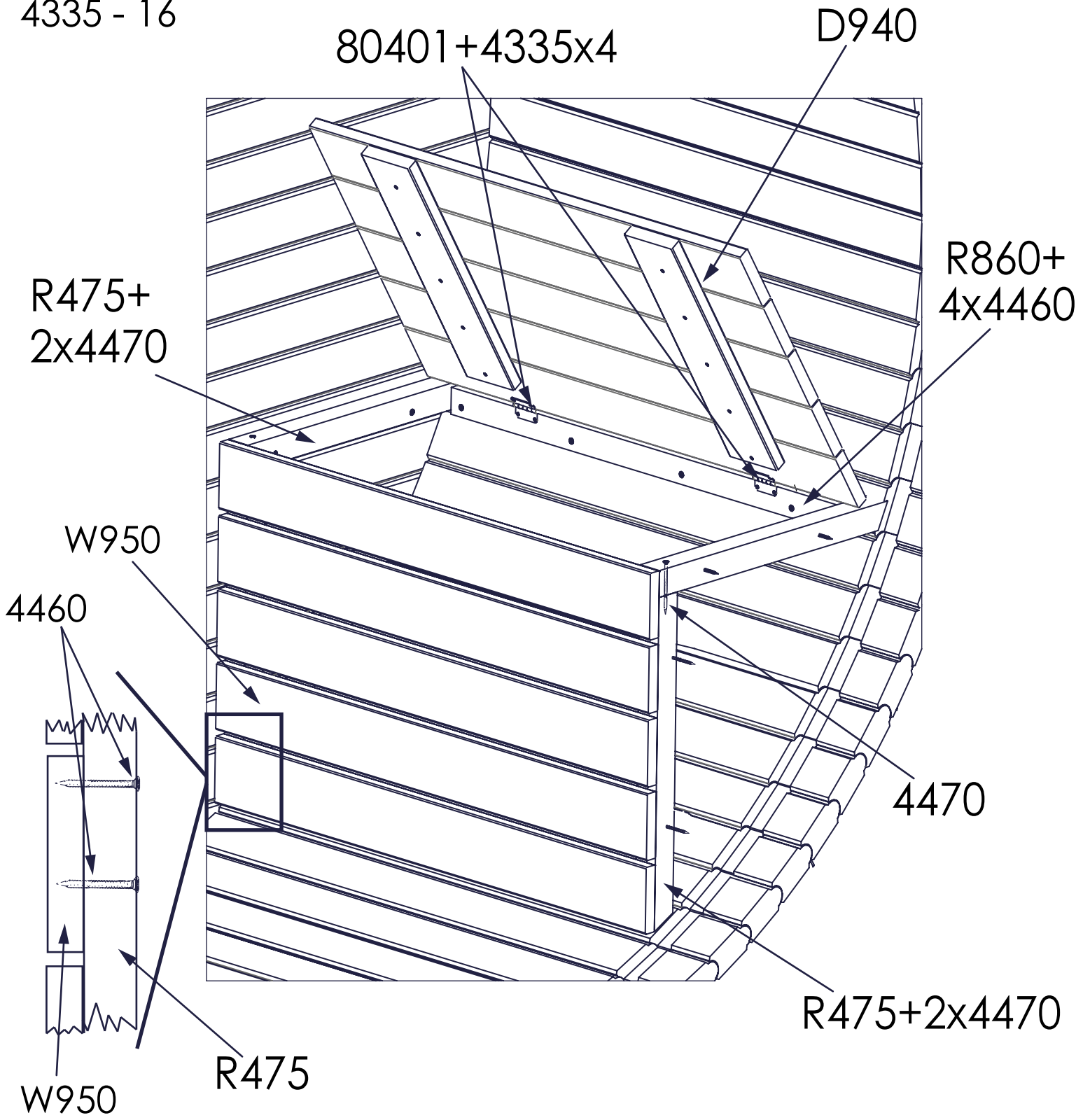


G12 - only out side!

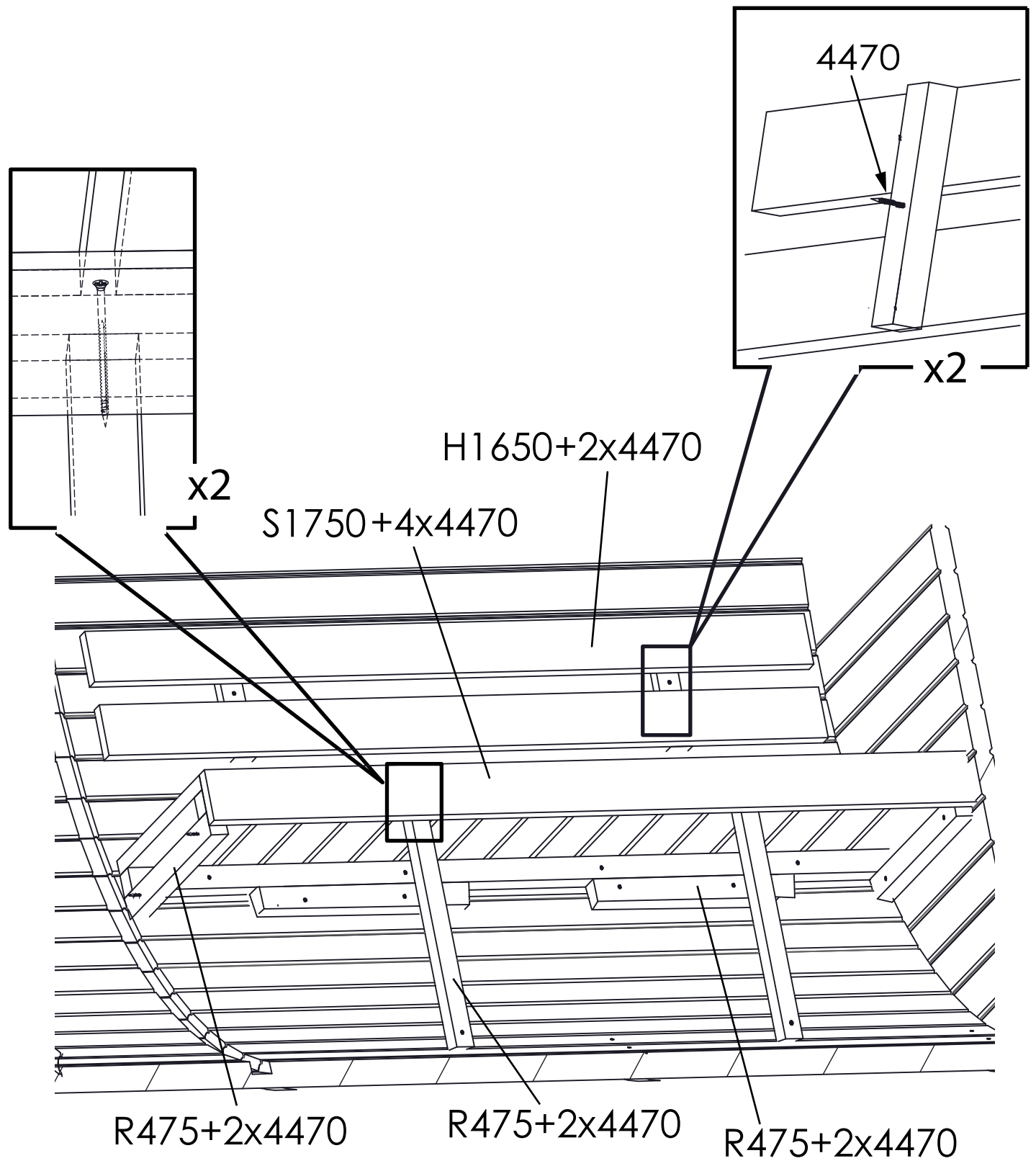




- D940 - 2
- R860 - 2
- R475 - 8
- W950 - 10
- 80401 - 4
- 4470 - 20
- 4460 - 48
- 4335 - 16

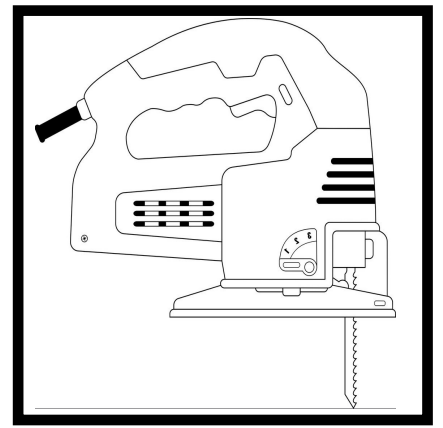
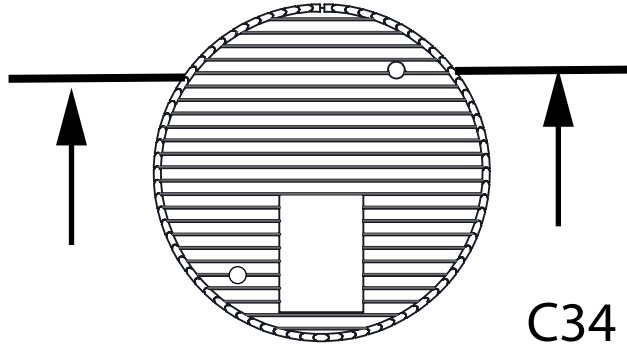


H1650 - 2  
S1750 - 2  
R475 - 12  
4470 - 36



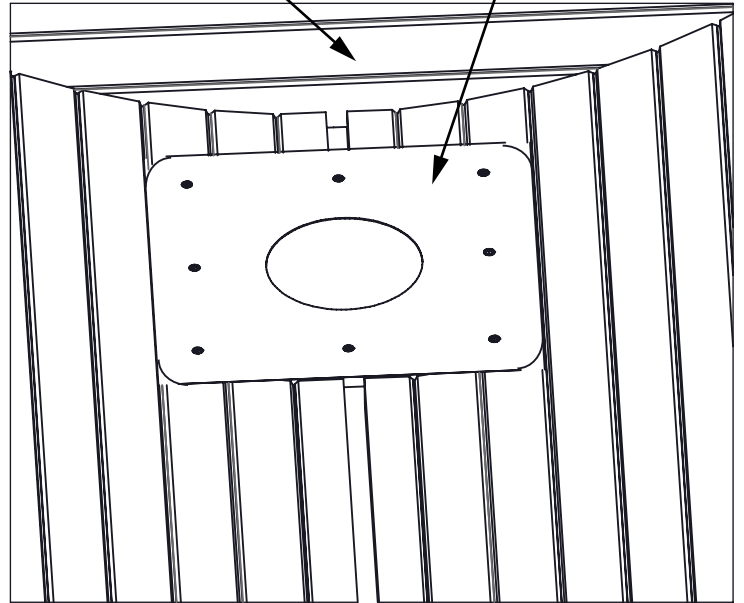
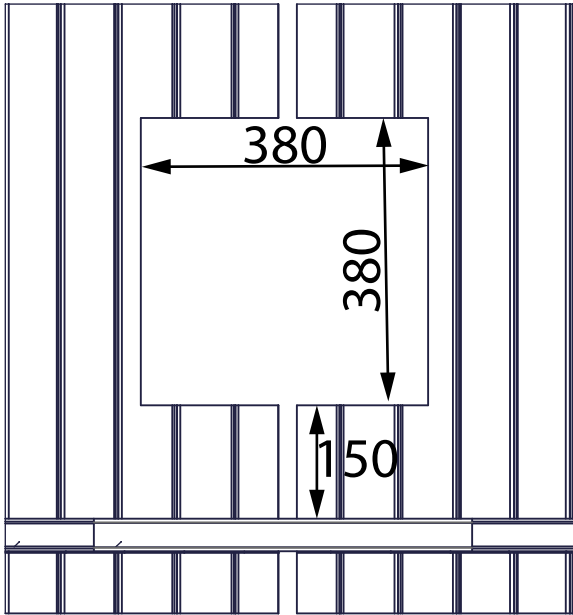


Q2 - 1  
4232 - 8



C34

Q2+4232x8

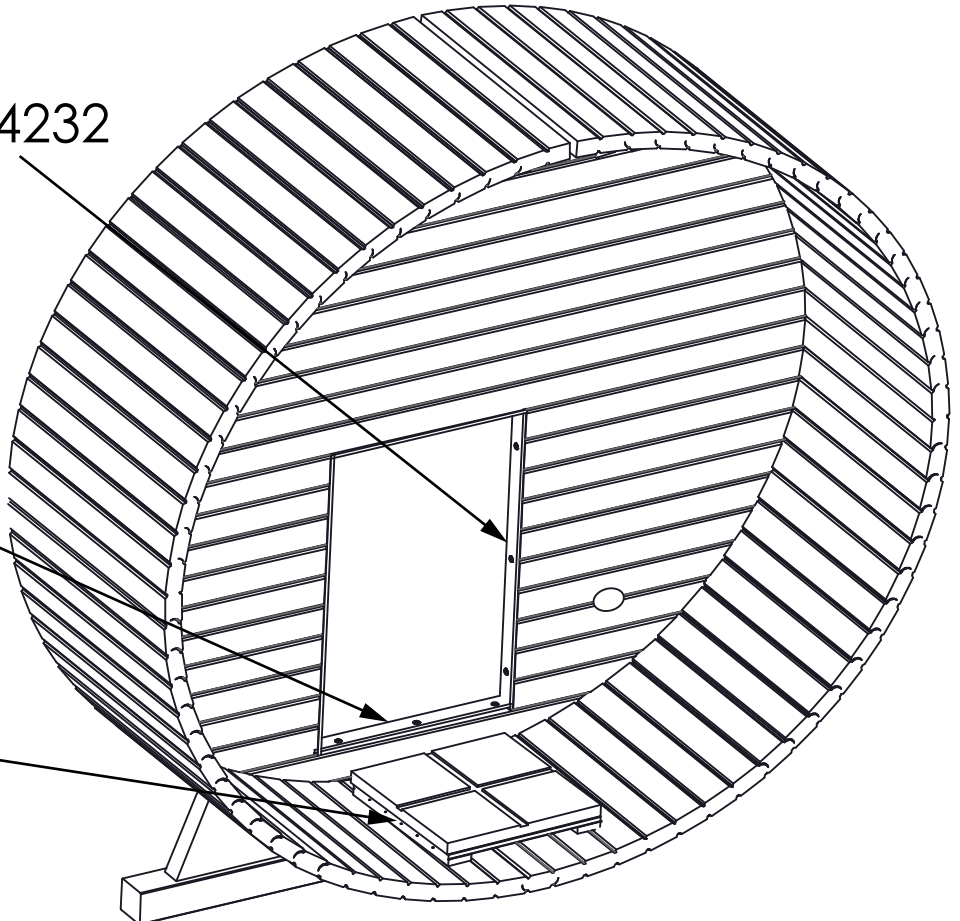


I500 - 2  
I800 - 2  
T500 - 1  
4232 - 12  
F - 1

I800+3x4232

I500+3x4232

T500+F



- G1 - 1
- G2 - 1
- G3 - 1
- G4 - 1
- G10 - 70%

Q3 - 1

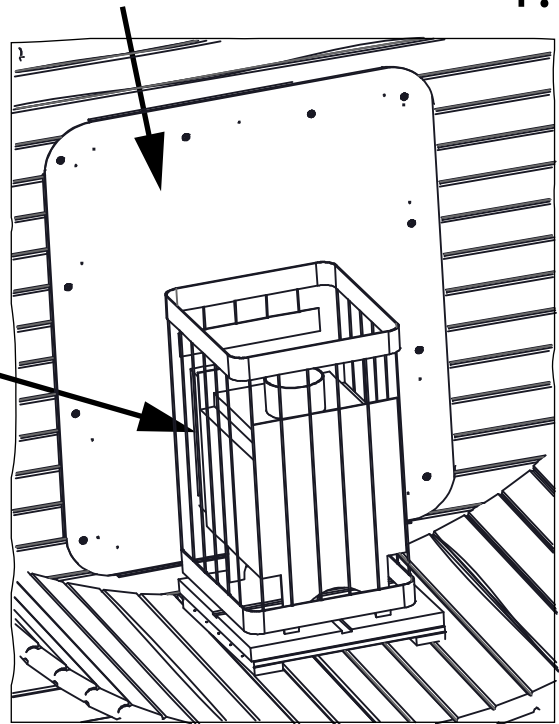
Q4 - 1

4232 - 22

Q3+4232x10

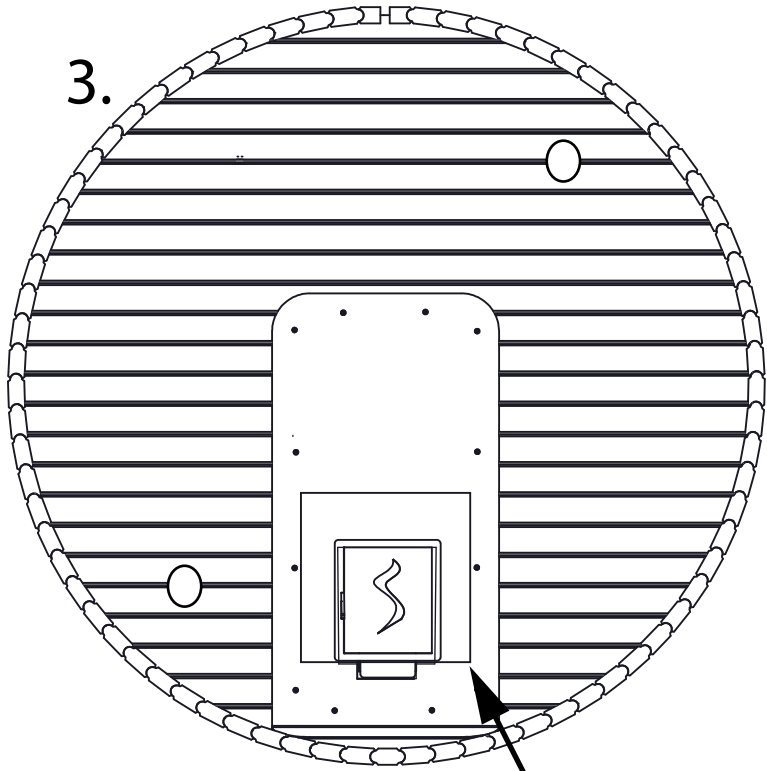
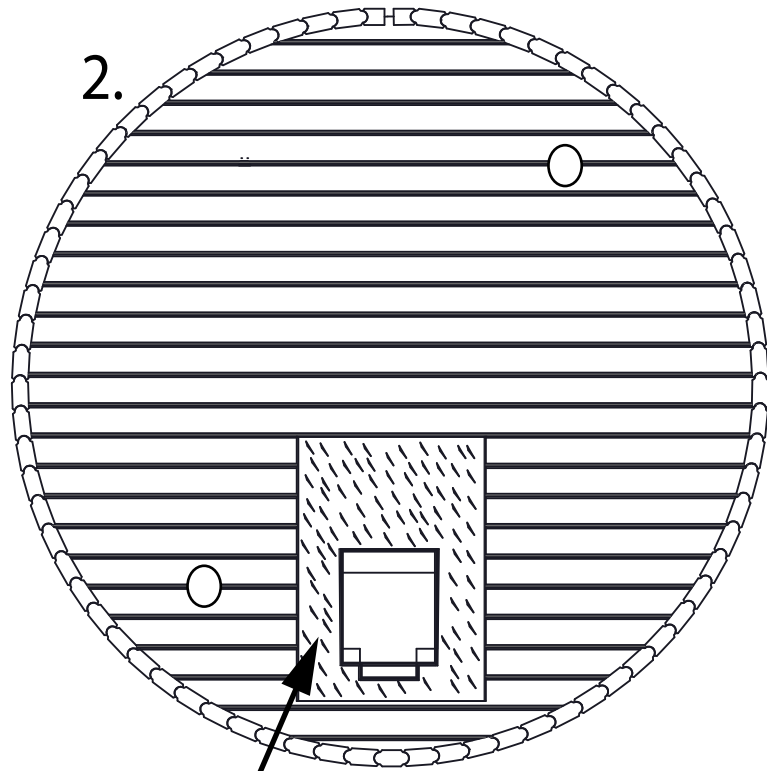
1.

G1+G4



2.

3.



G10

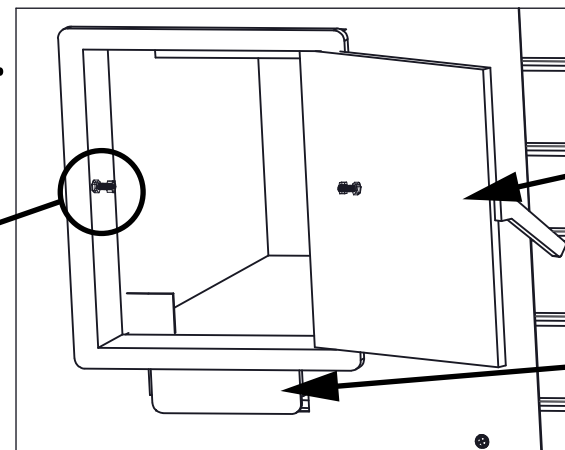
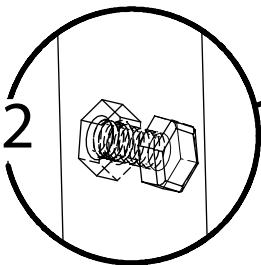
Q4+4232x12

4.

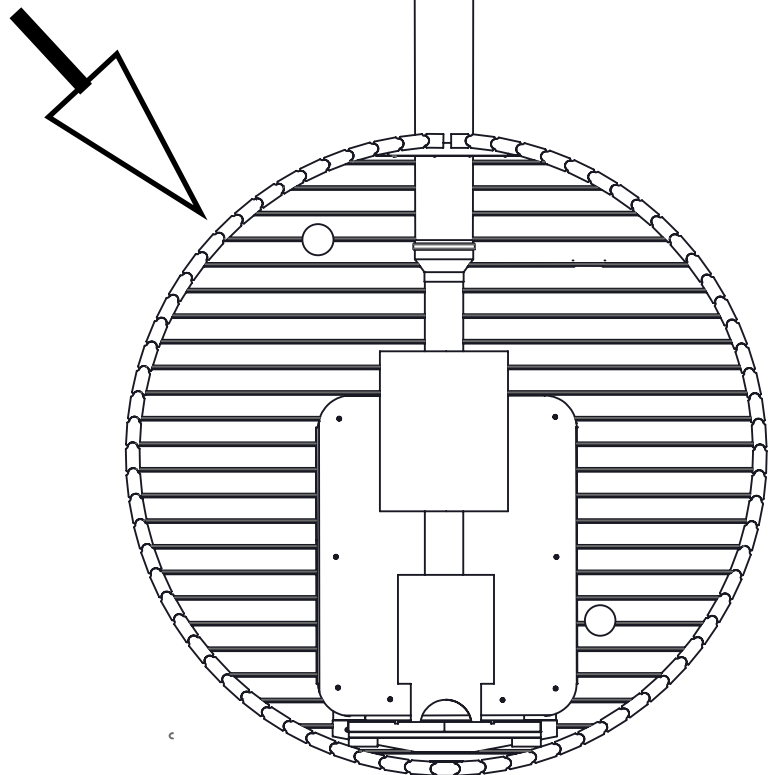
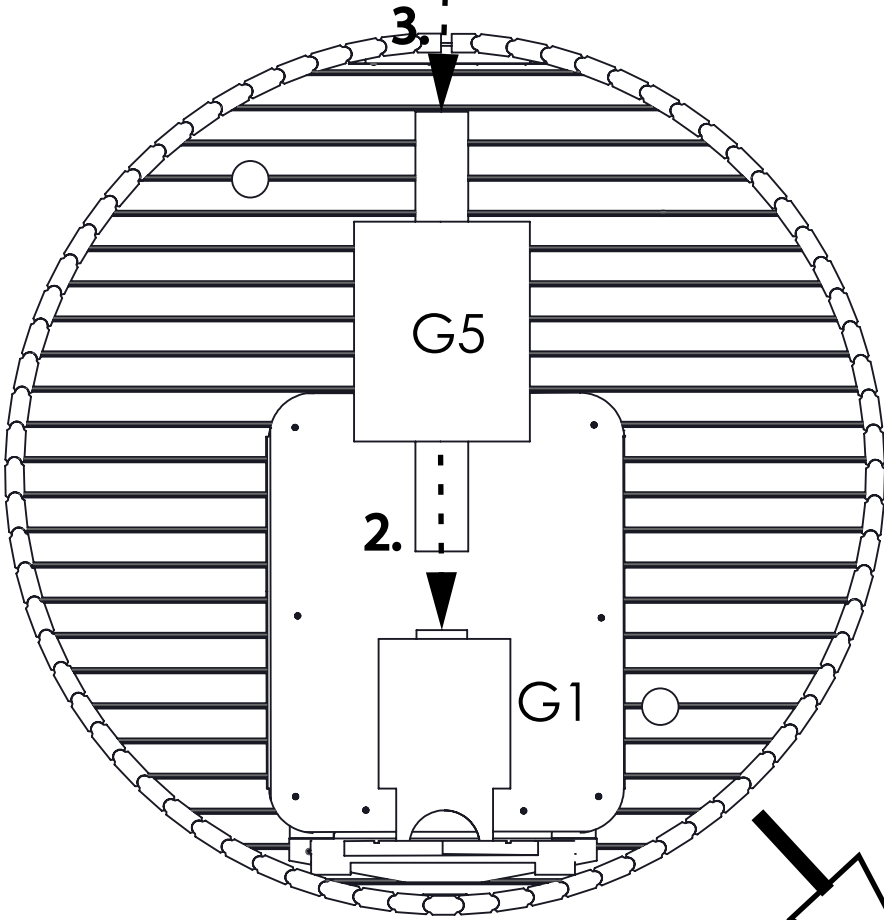
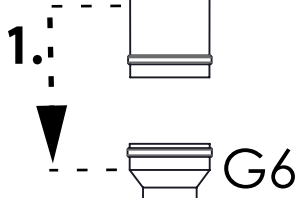
x2

G2

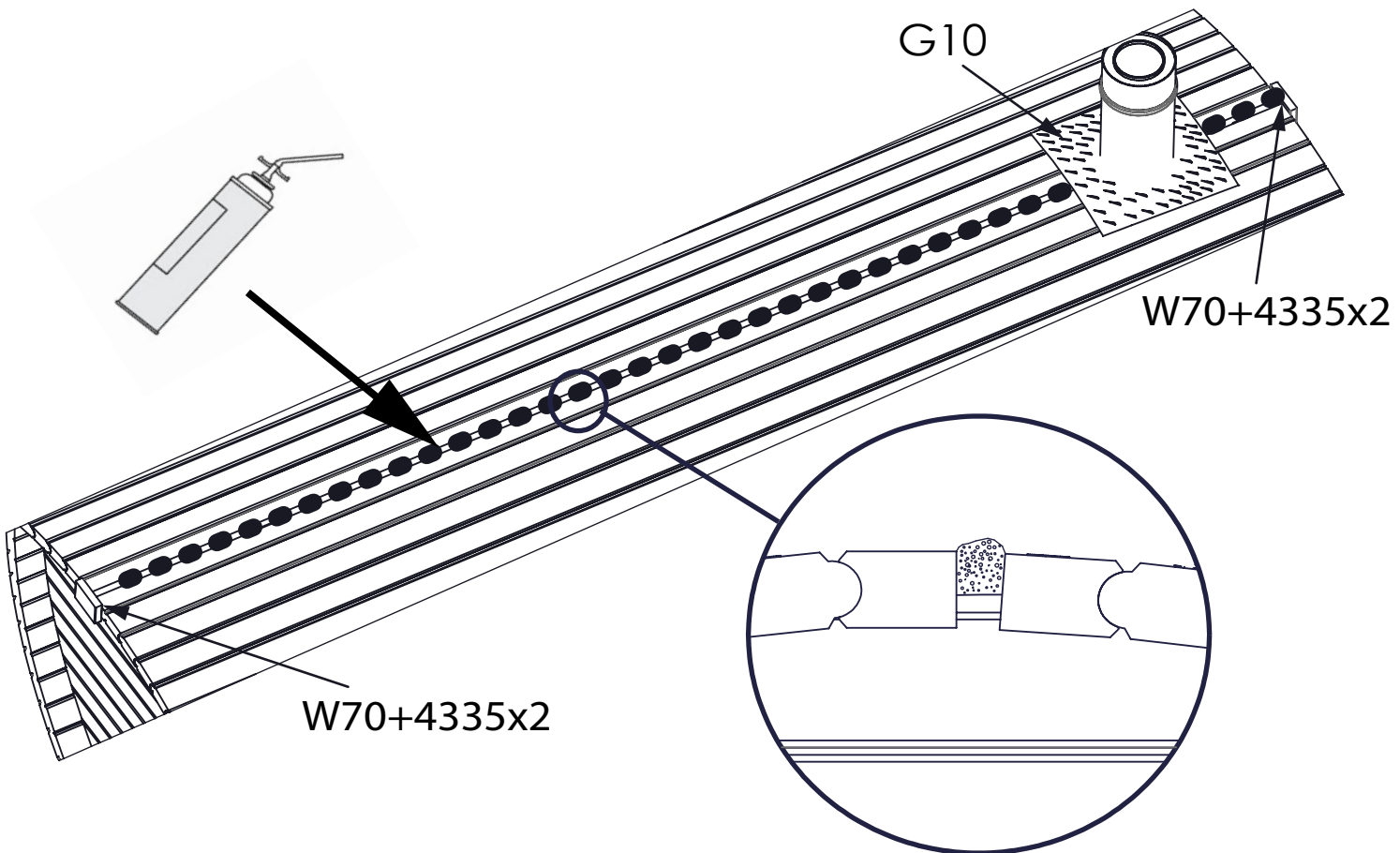
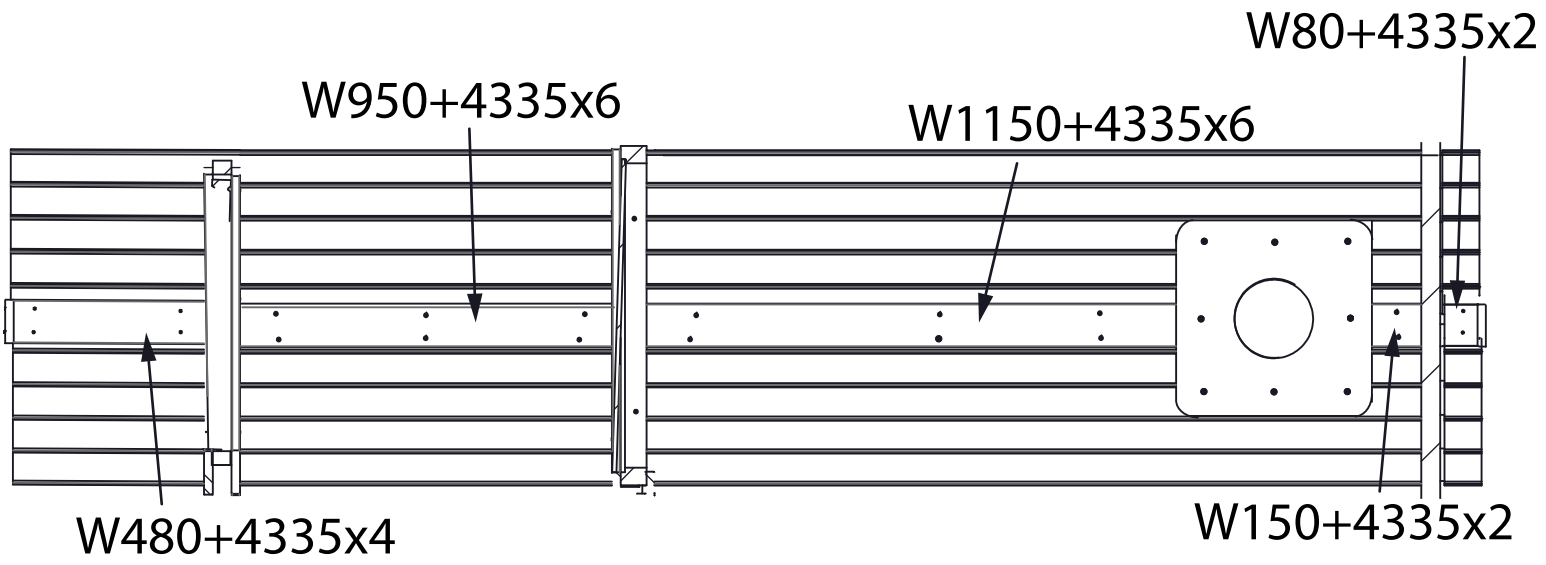
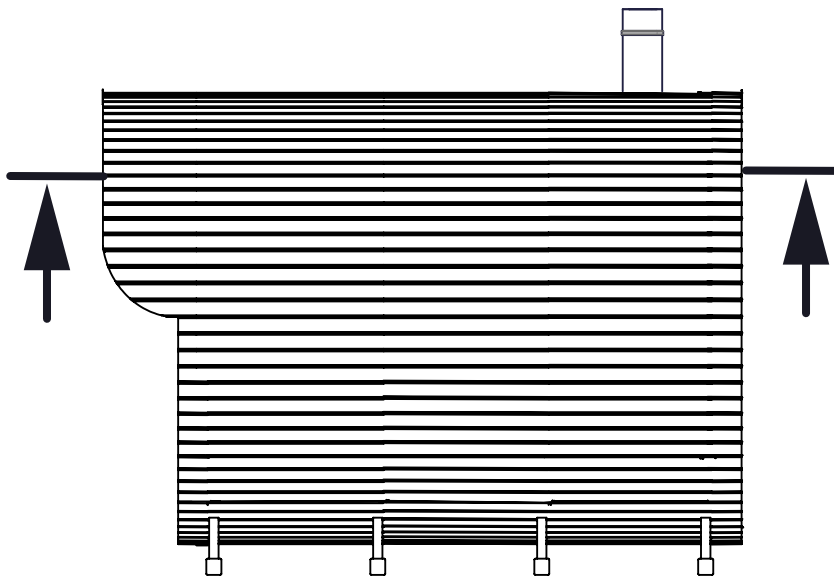
G3



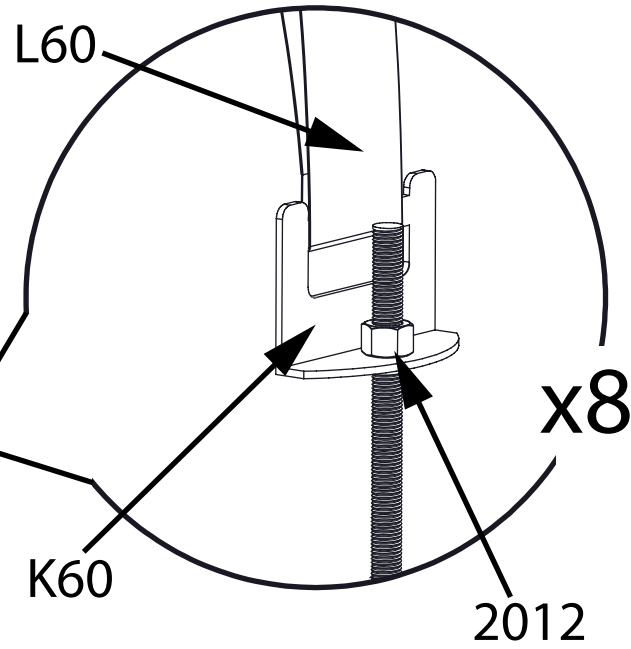
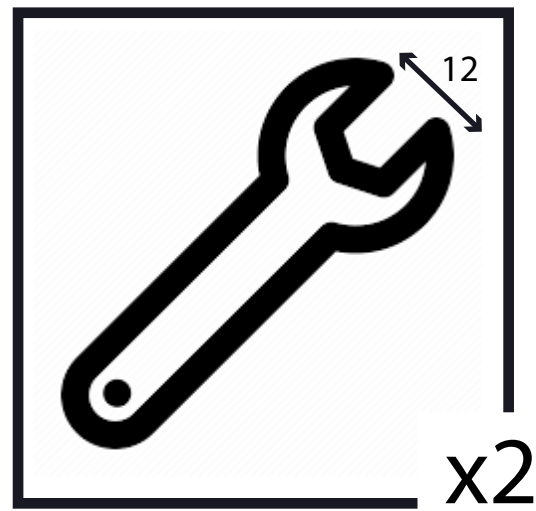
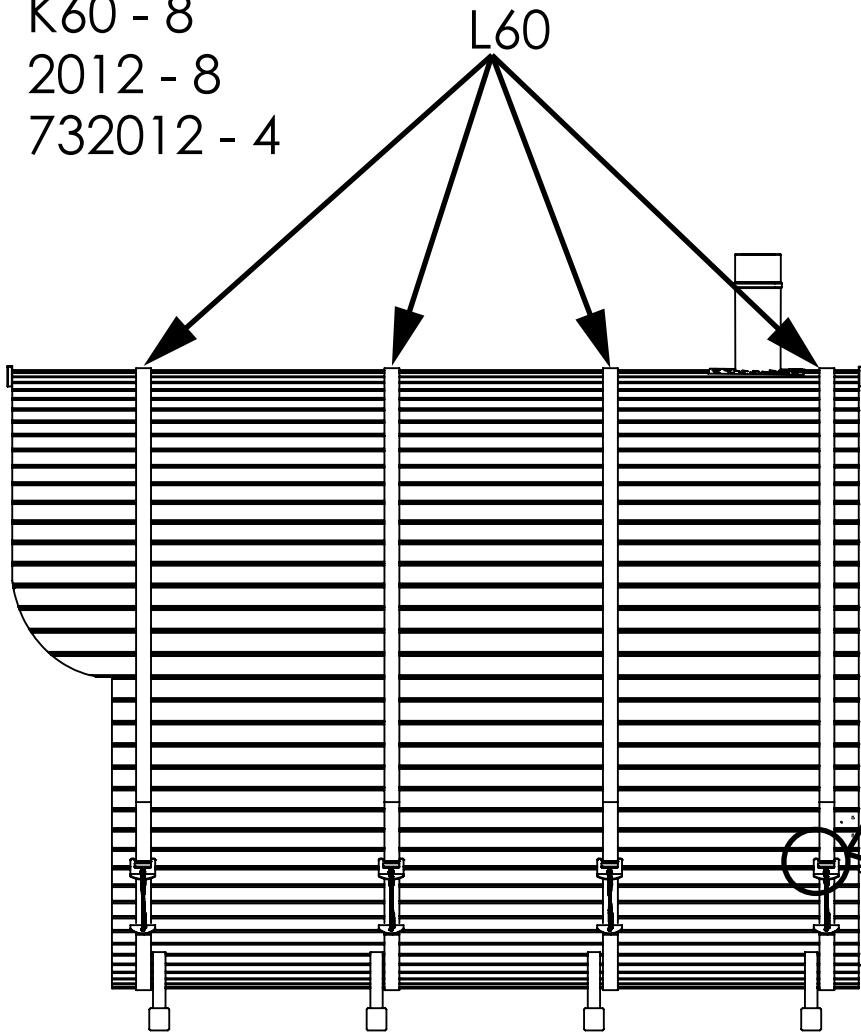
G5 - 1  
G6 - 1  
G7 - 1



W1150 - 1  
 W950 - 1  
 W480 - 1  
 W150 - 1  
 W80 - 1  
 W70 - 2  
 4335 - 24  
 G10  
 G11



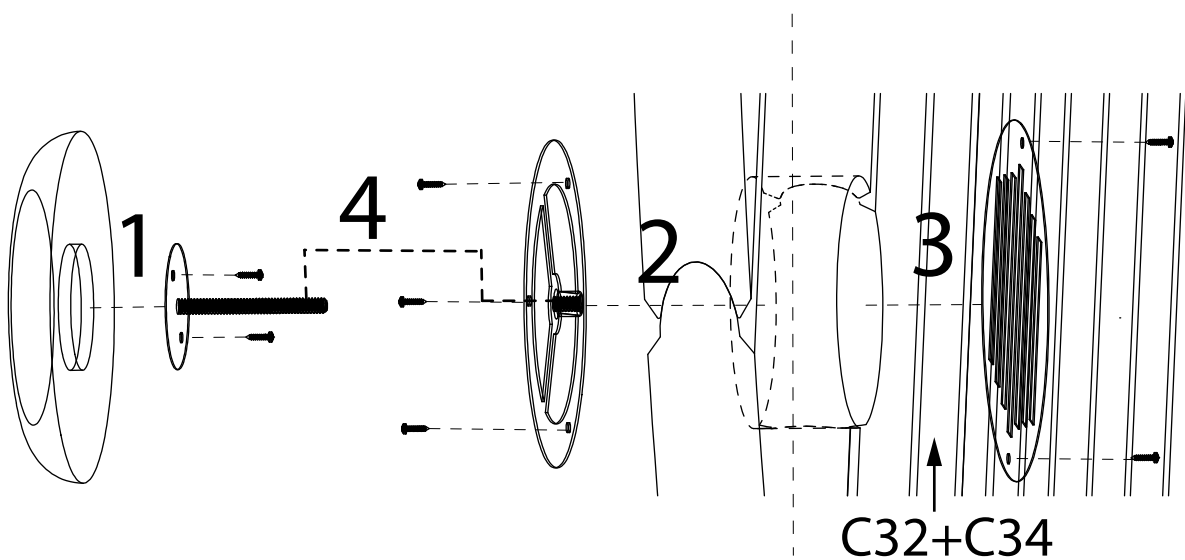
L60 - 4  
K60 - 8  
2012 - 8  
732012 - 4



SET3

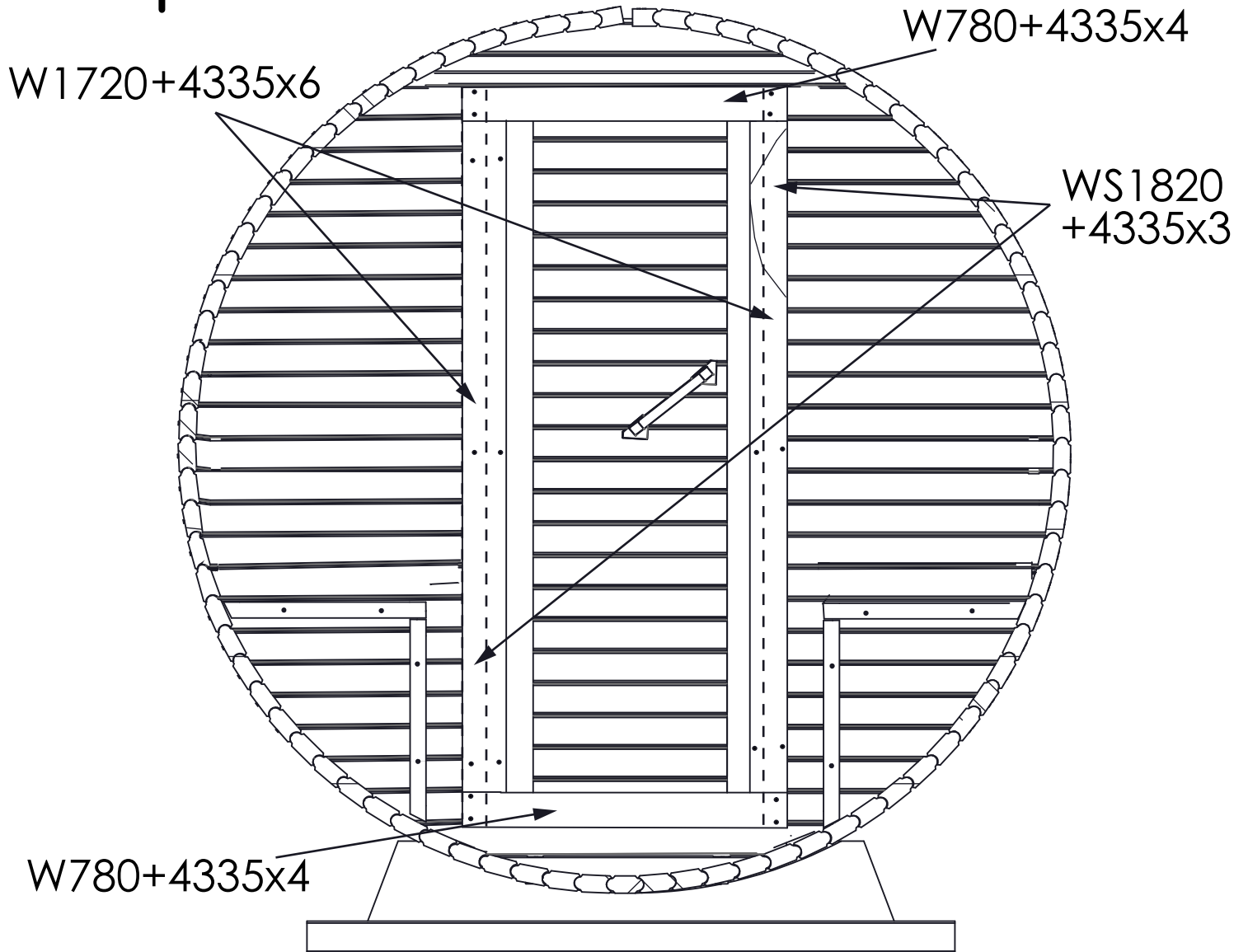
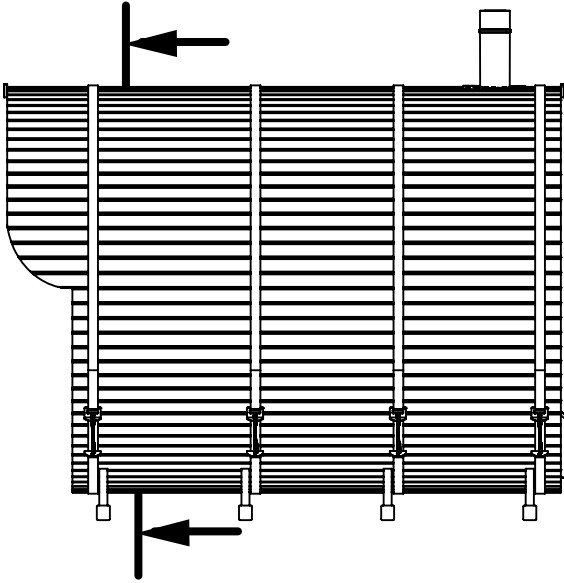
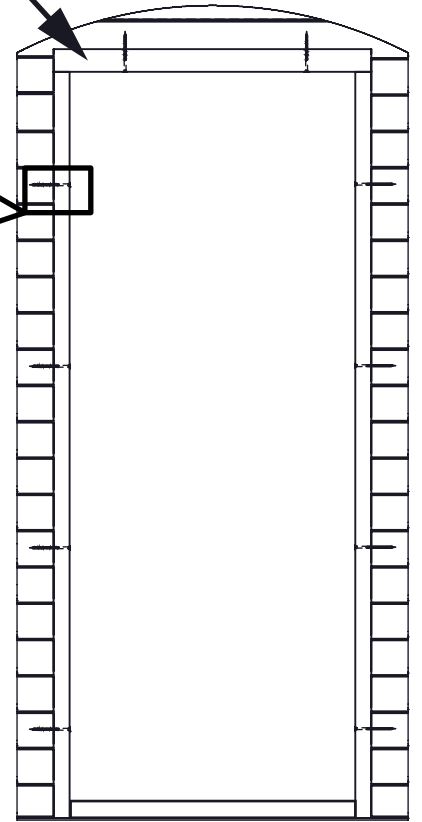
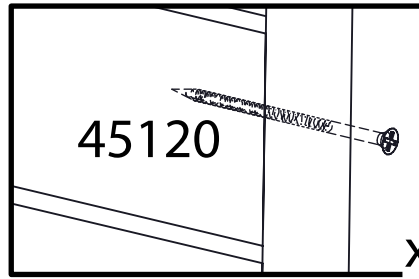
IN

OUT

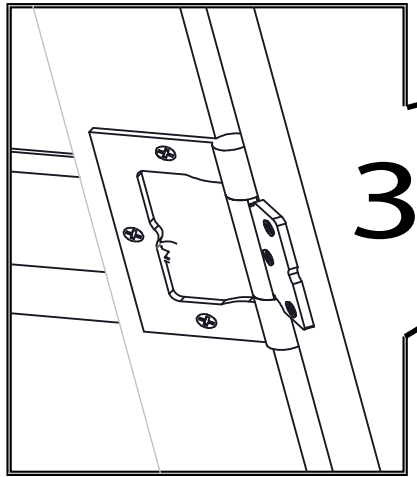


DR1700 - 1  
D1700 - 1  
WS1820 - 2  
W1720 - 2  
W780 - 2  
45120 - 10  
4335 - 26

DR1700

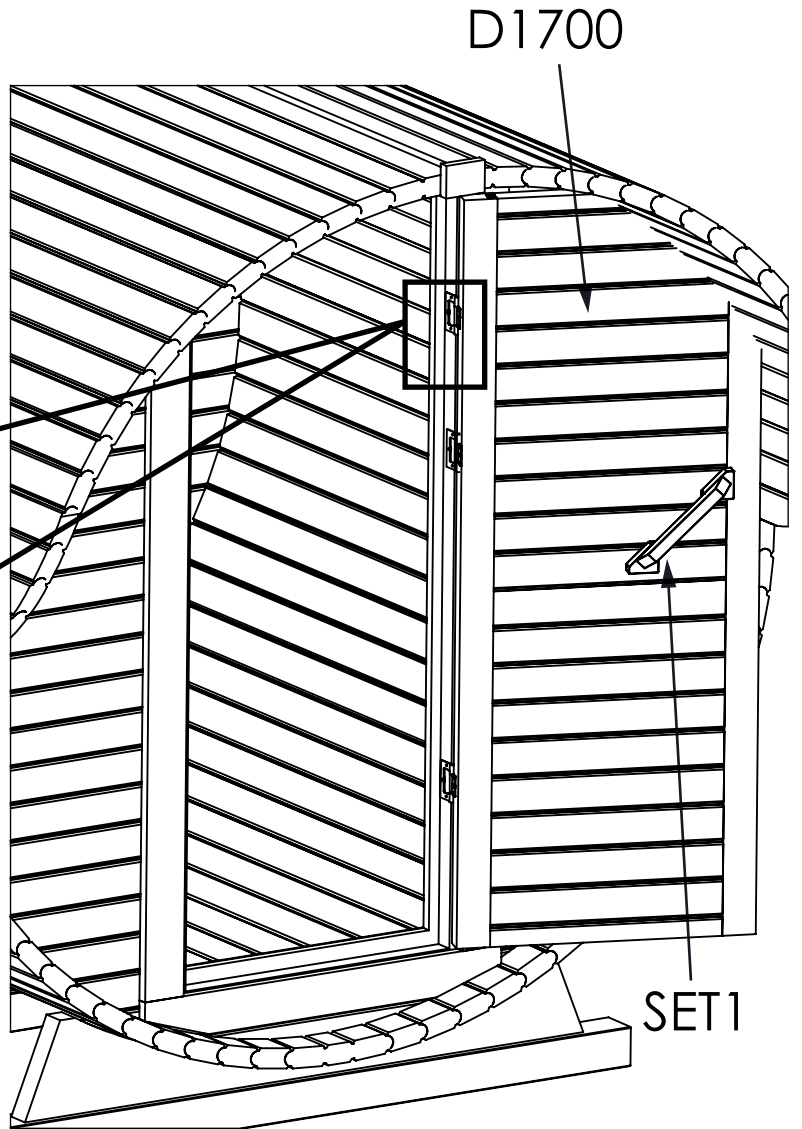


D1700 - 1  
SET1 - 1  
80801 - 3  
4335 - 30



3x

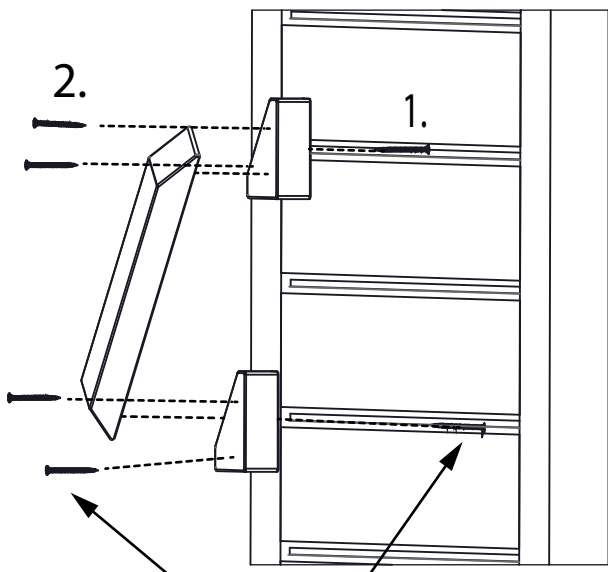
80801+6x4335



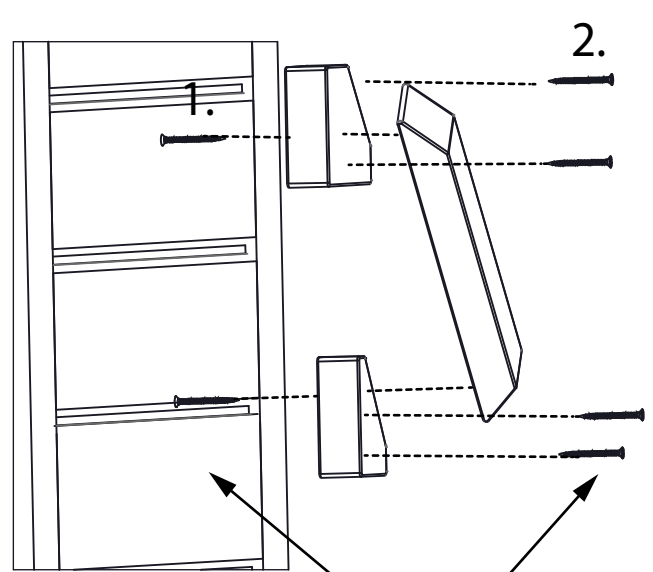
SET1

IN

OUT

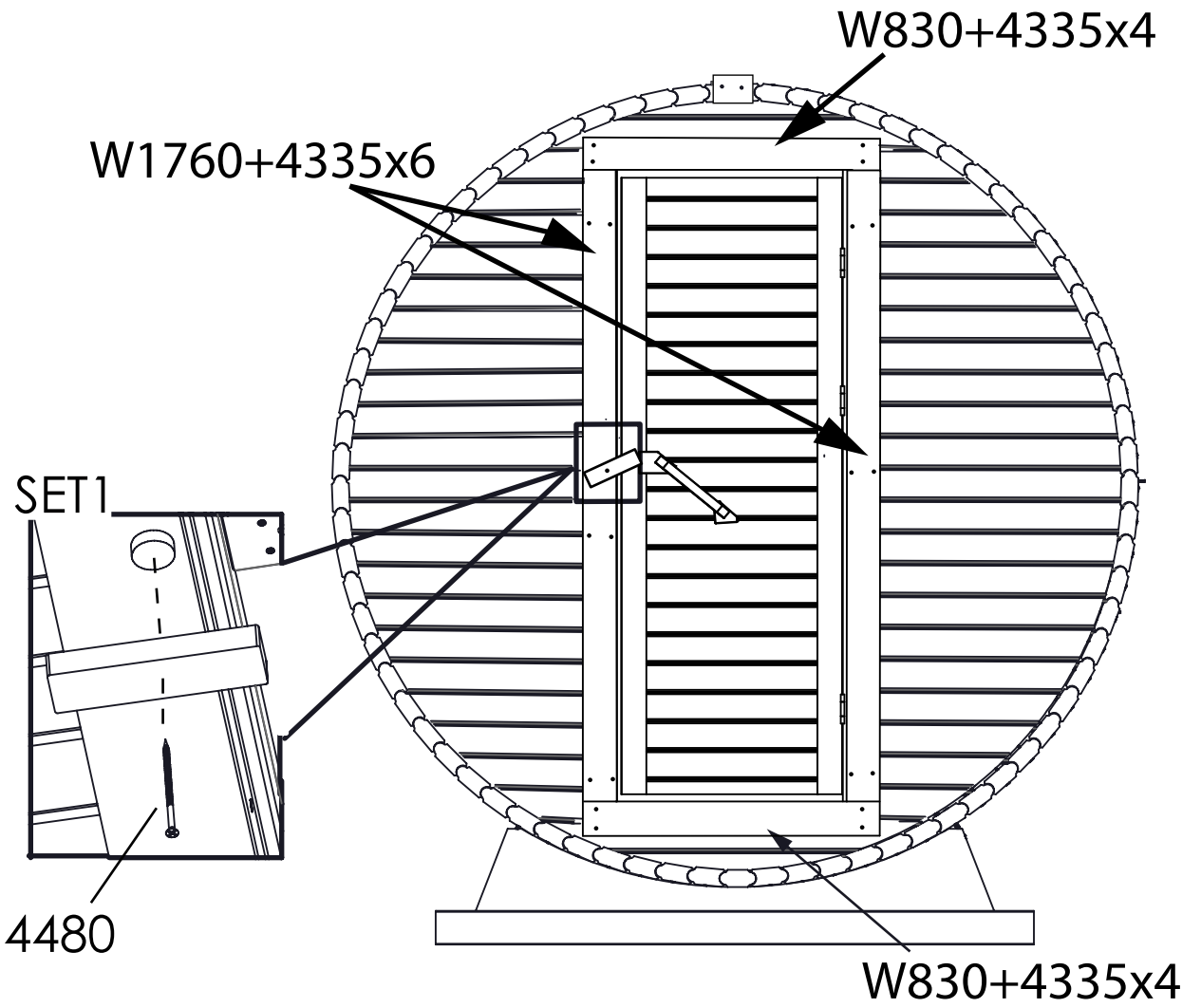


4335x6

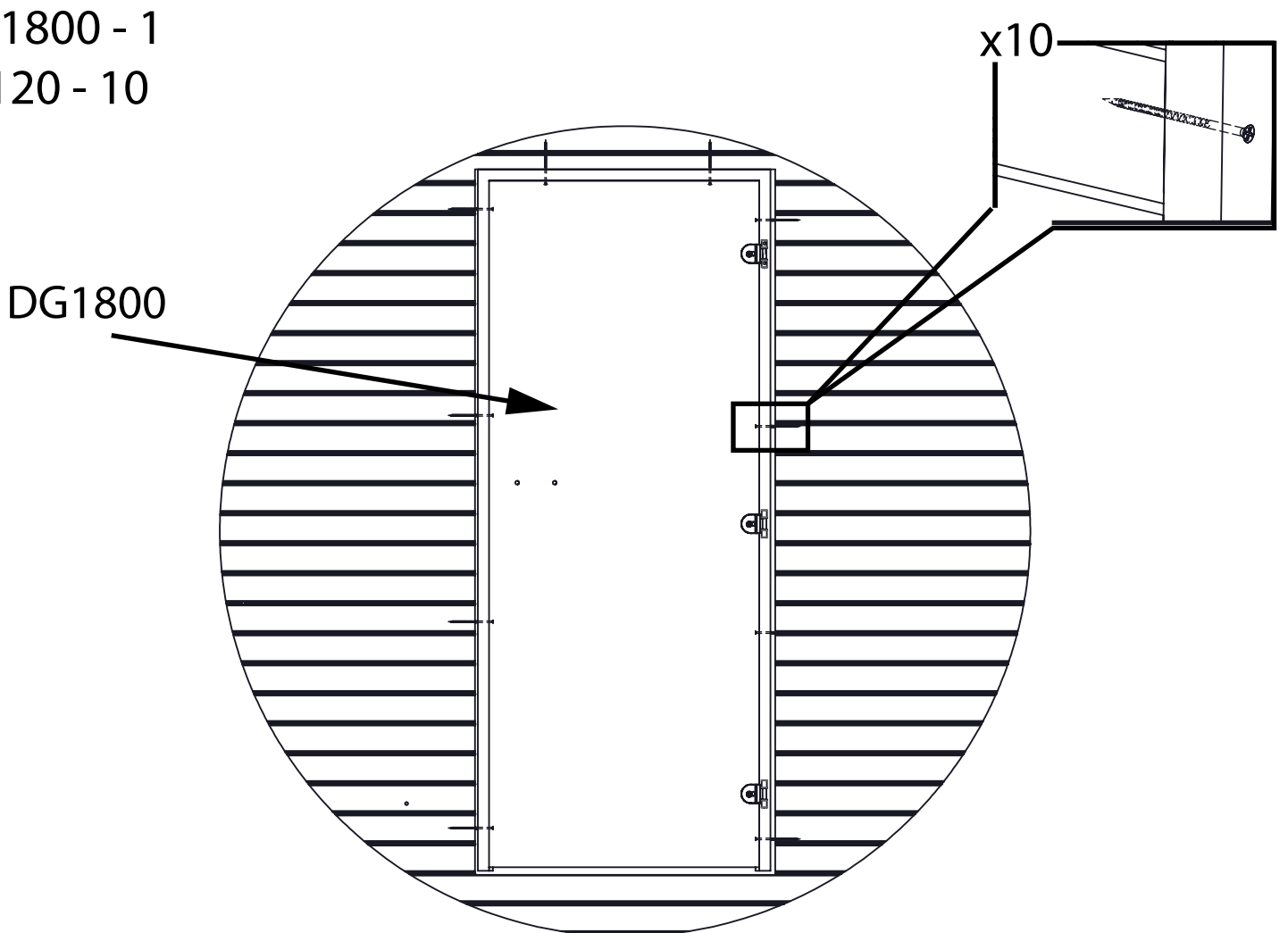


4335x6

W1760 - 2  
W830 - 2  
4480 - 1  
4335 - 20

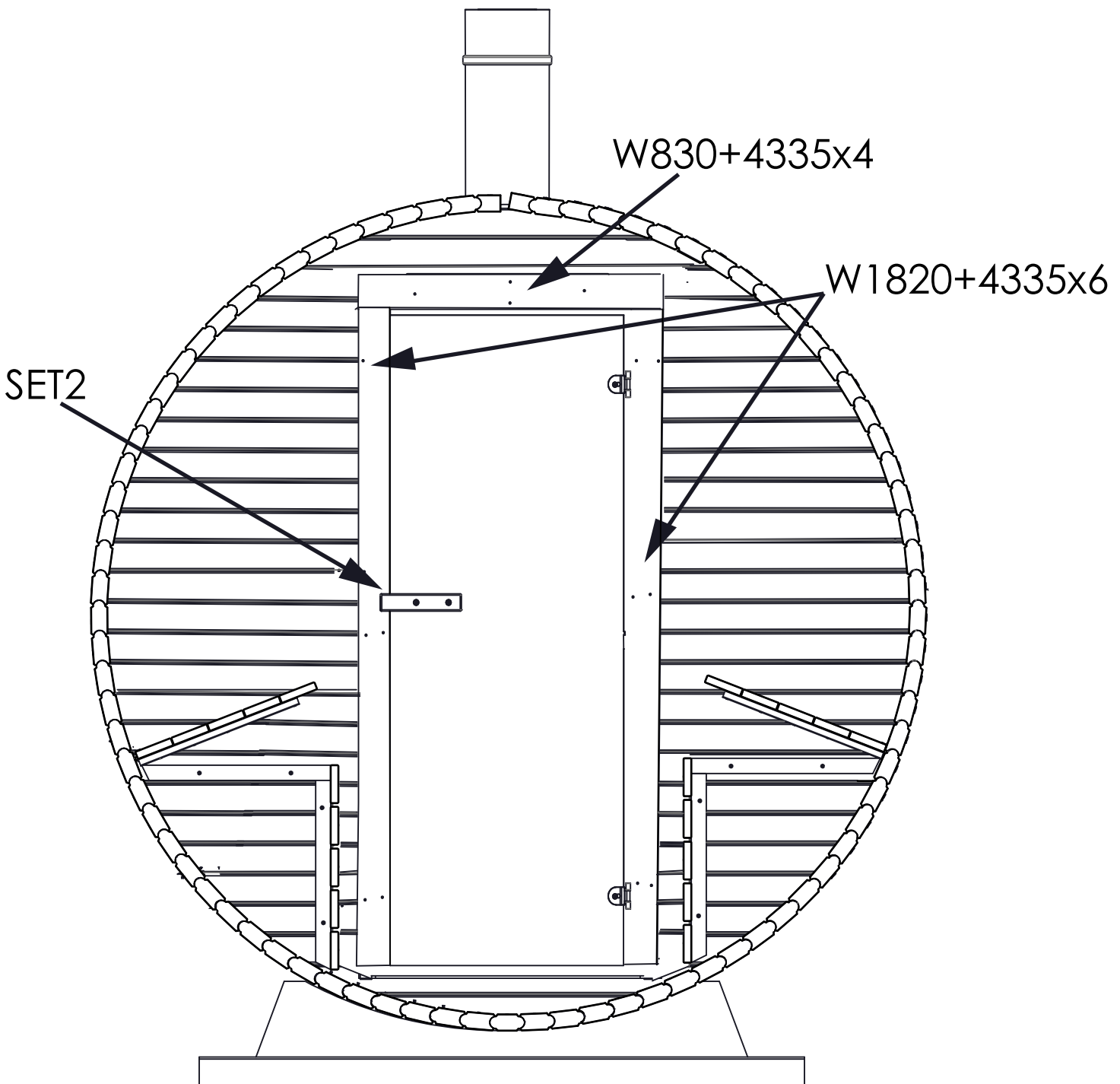
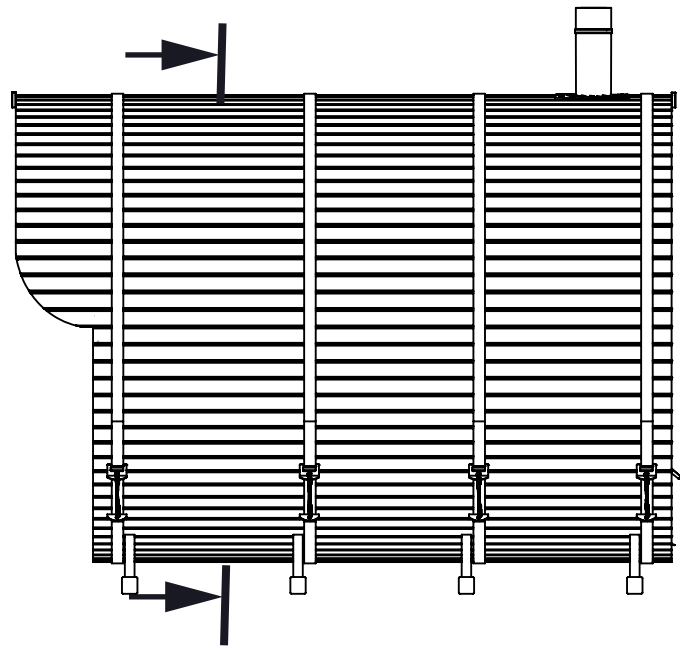


DG1800 - 1  
45120 - 10

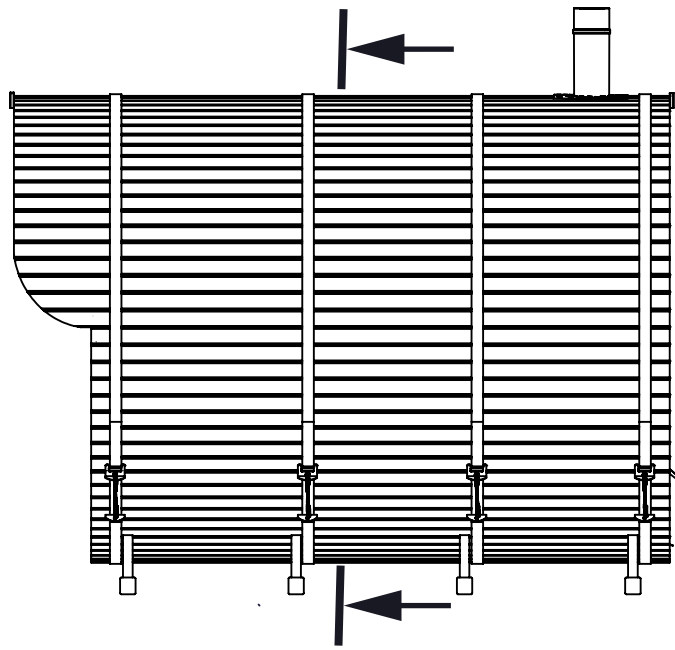




W1820 - 2  
W830 - 1  
4335- 16



W1820 - 2  
W800 - 1  
WS1820 - 2  
SET2 - 1  
4335 - 22

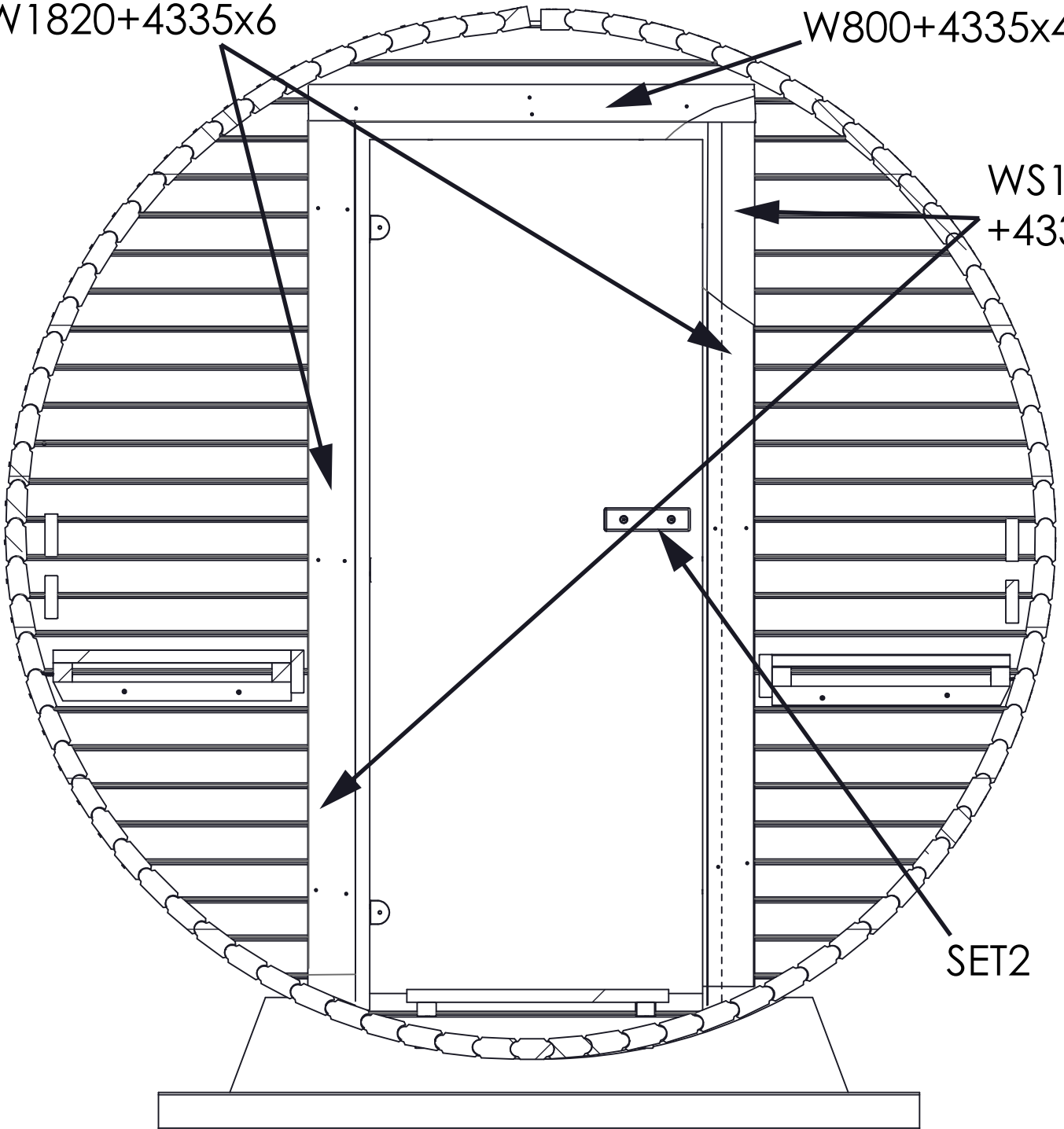


W1820+4335x6

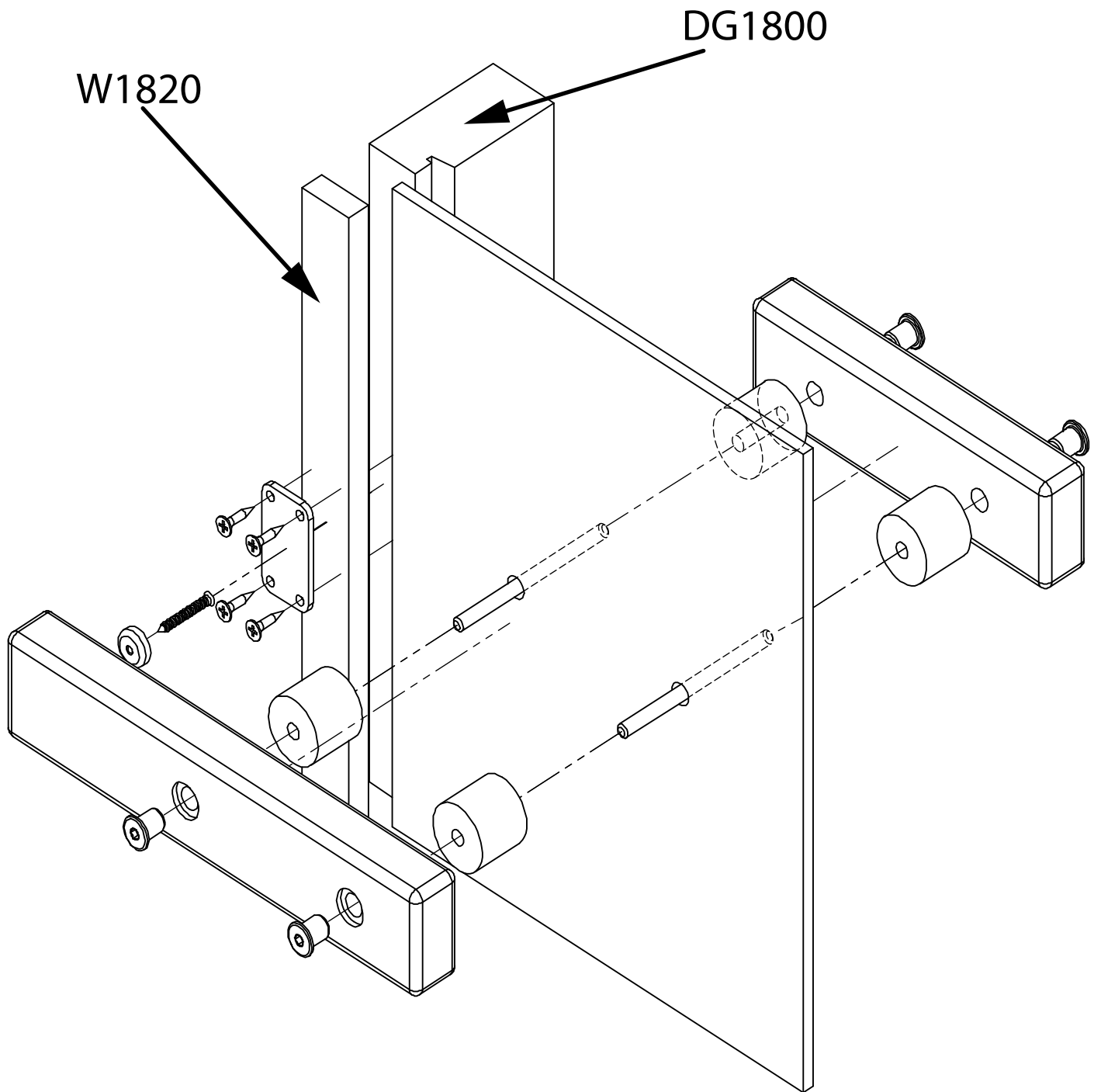
W800+4335x4

WS1820  
+4335x3

SET2

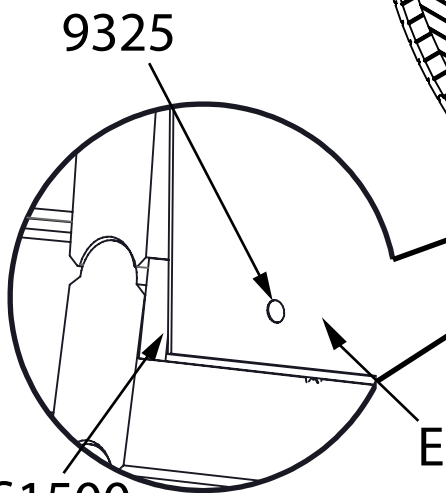
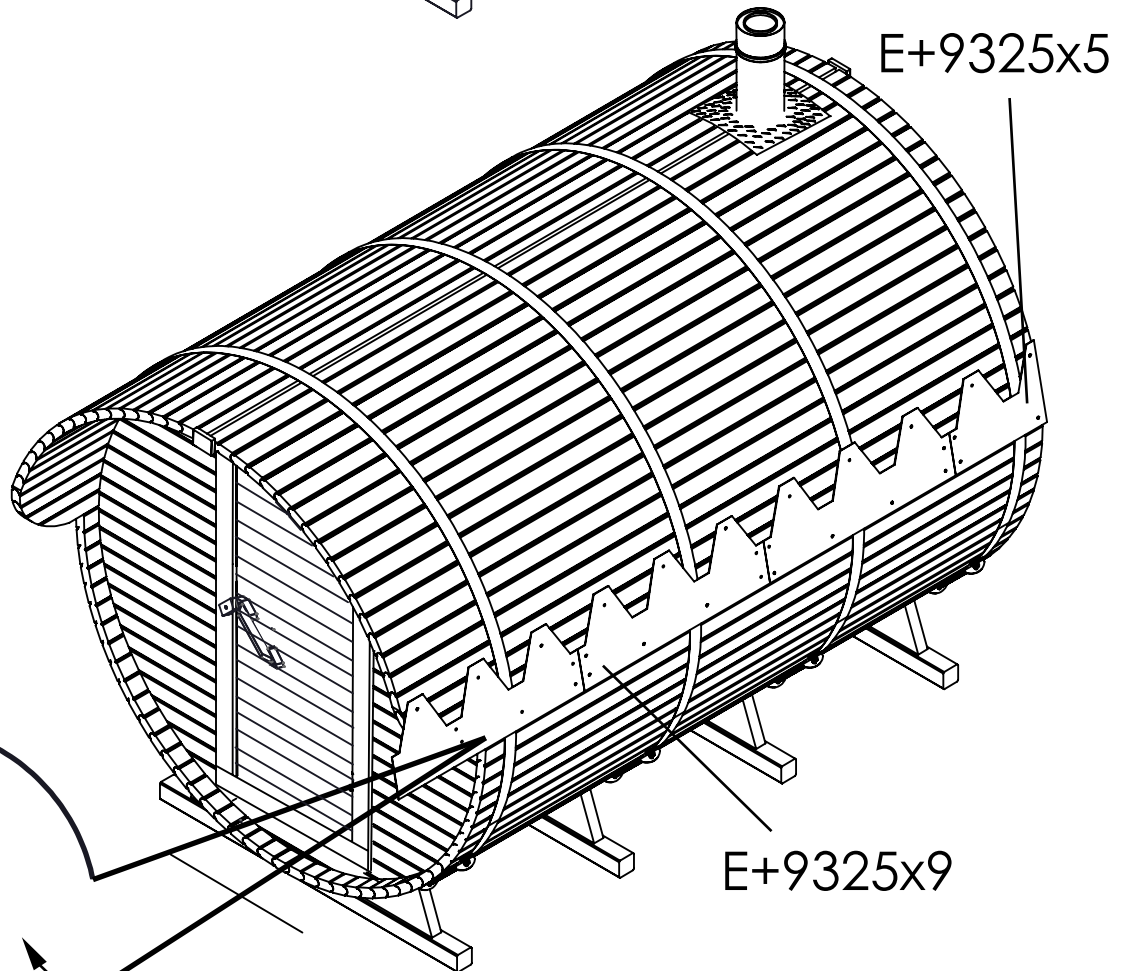
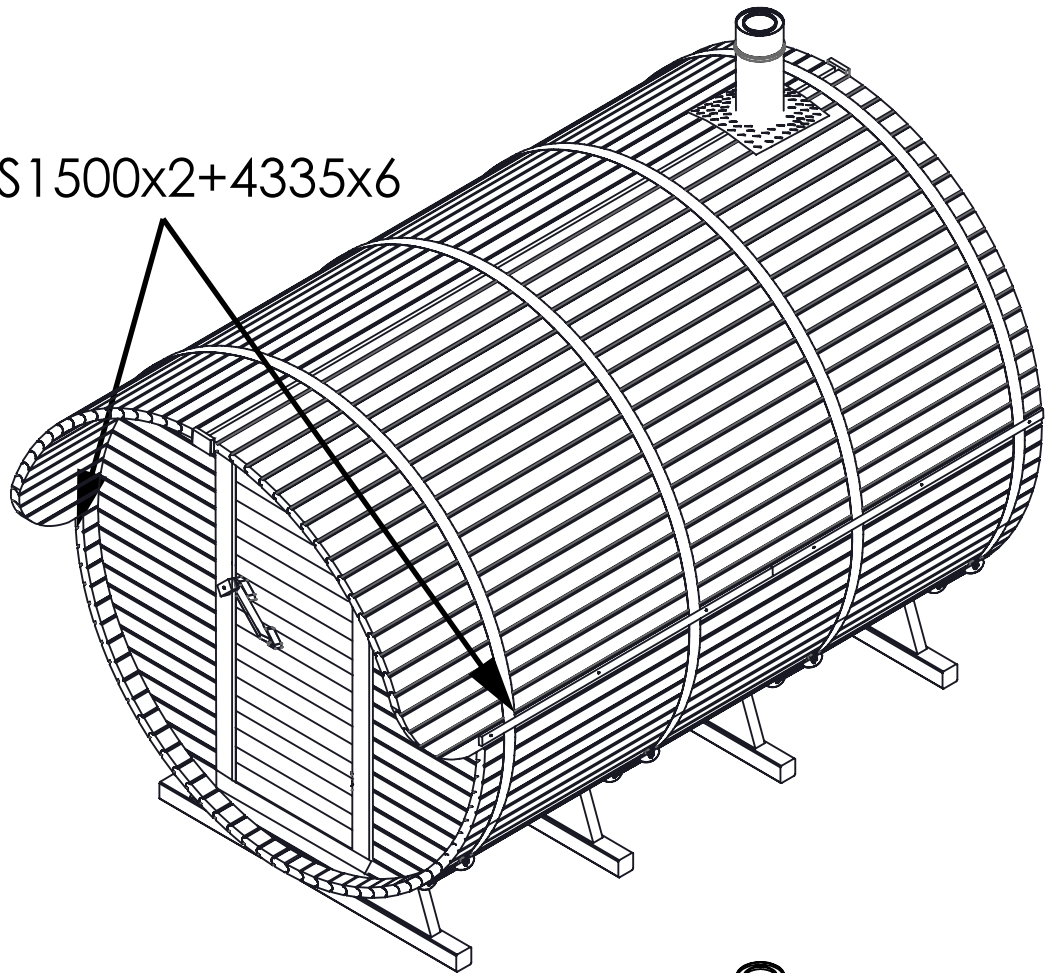


# SET2



WS1500 - 4  
E - 95  
4335 - 12  
9325 - 648

WS1500x2+4335x6



WS1500

G8 - 1  
G9 - 1  
G13  
9325 - 12

