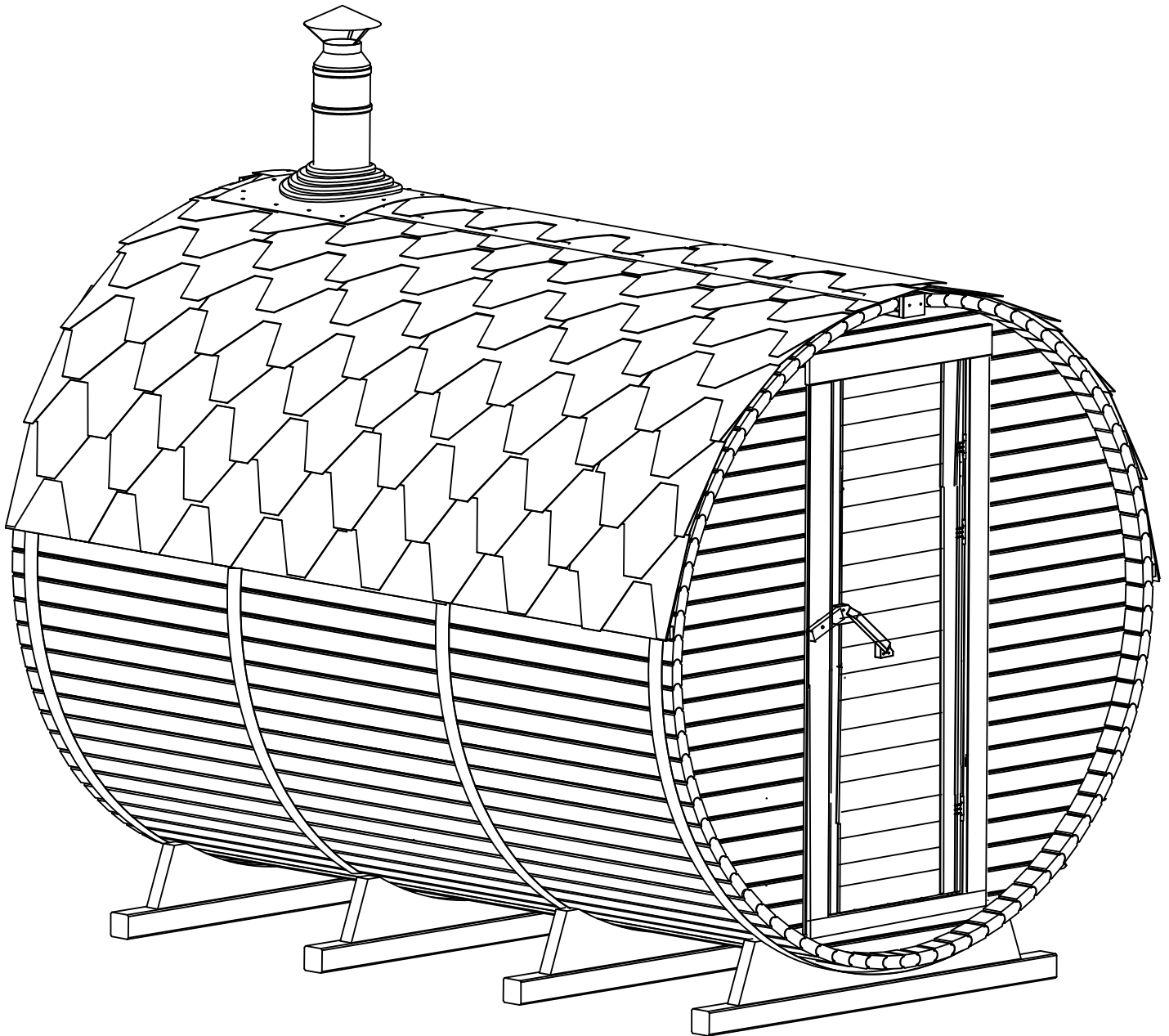
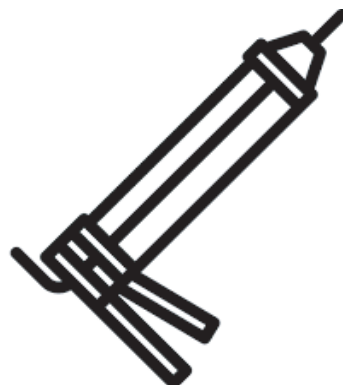
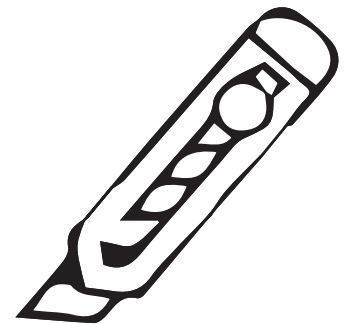
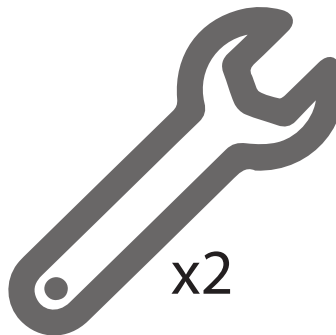
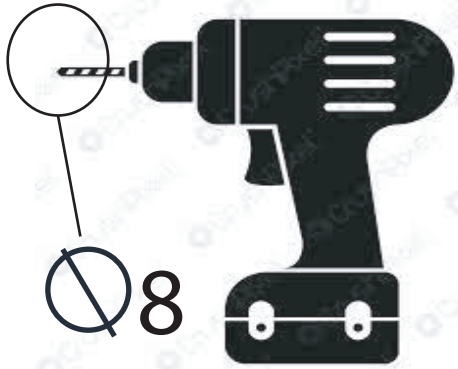
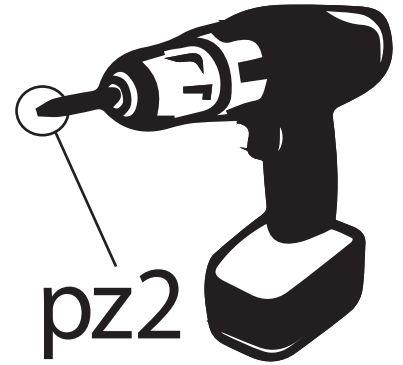
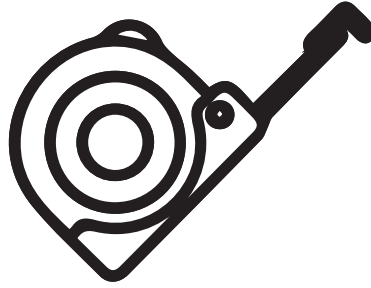
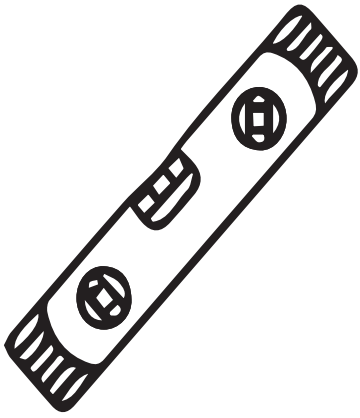
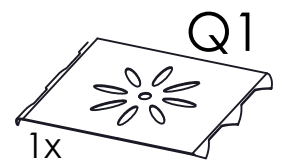
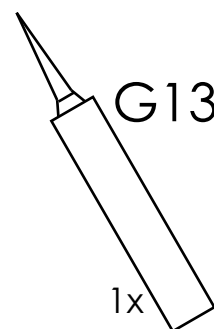
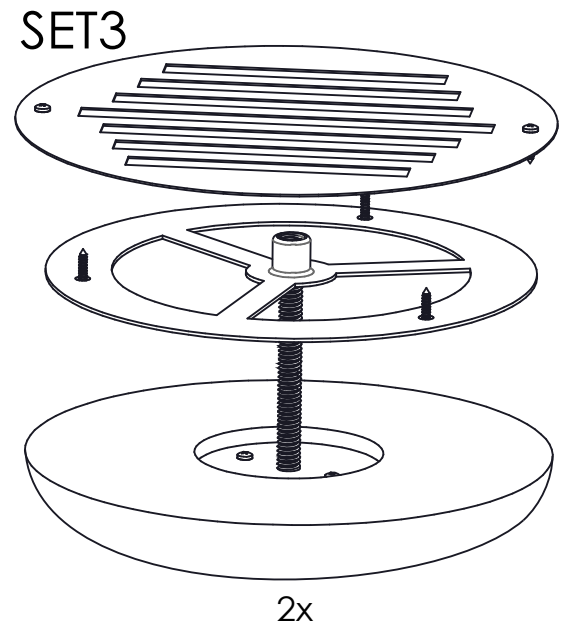
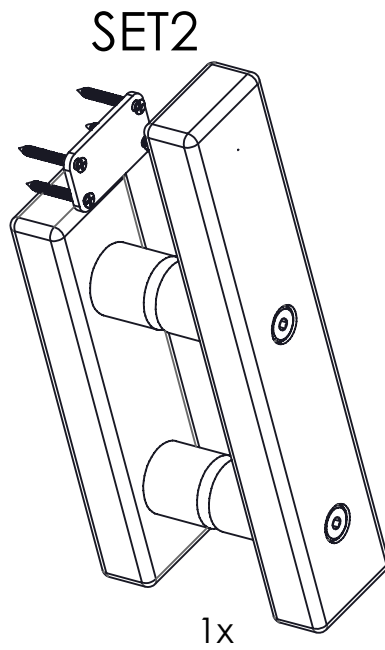
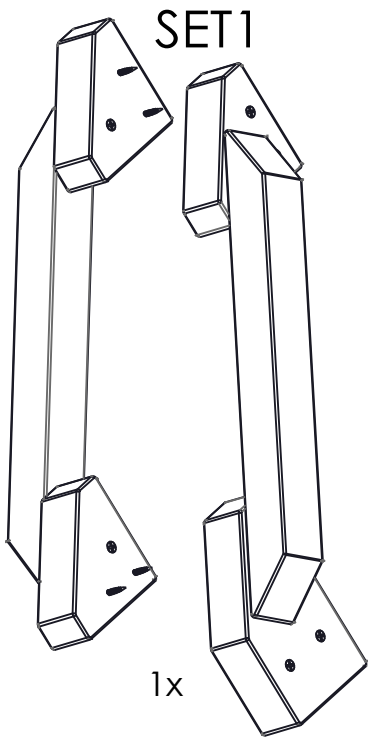
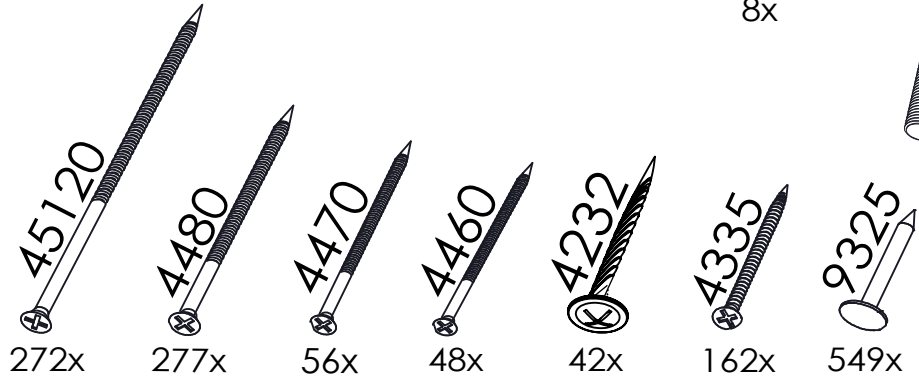
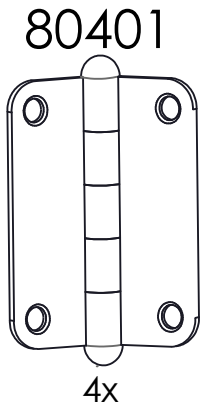
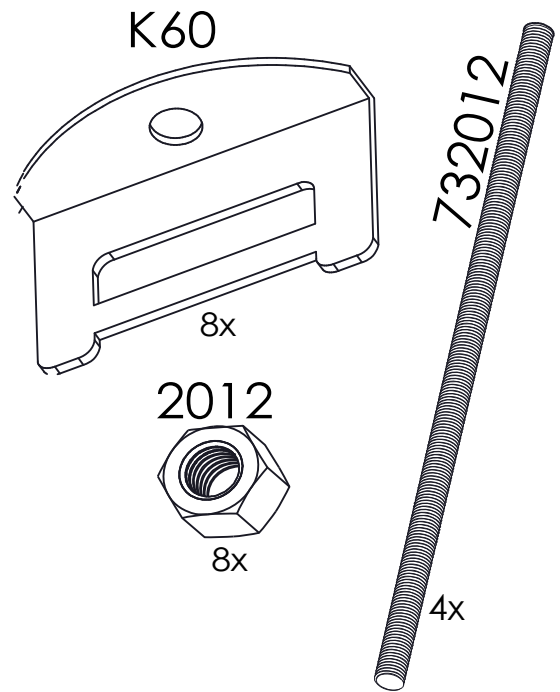
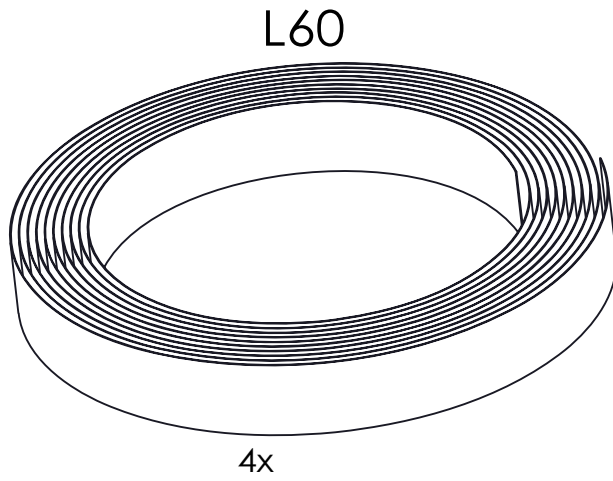
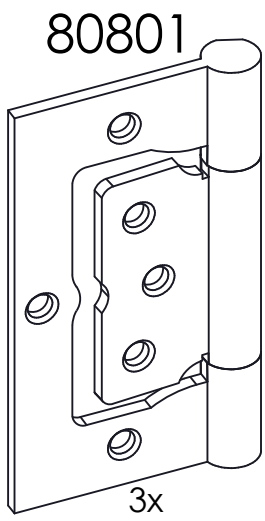


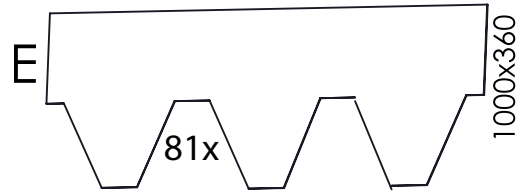
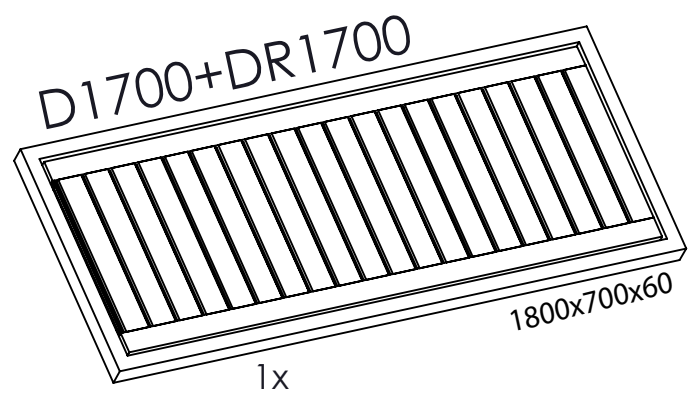
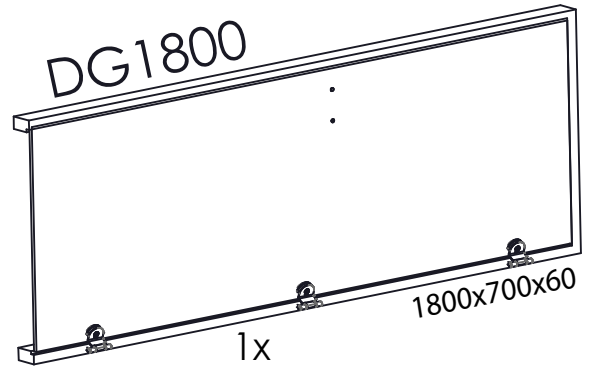
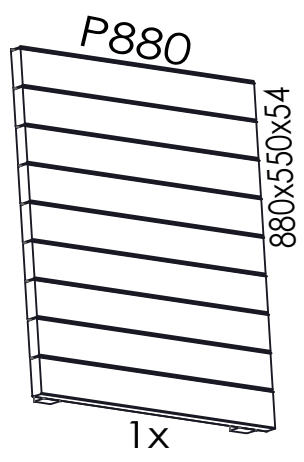
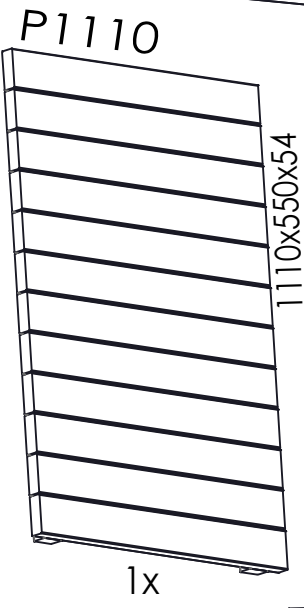
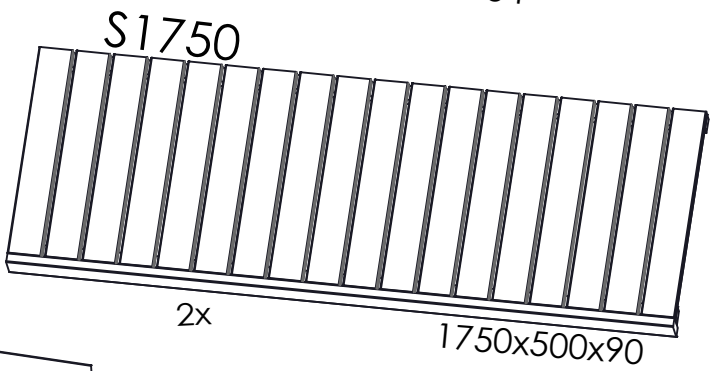
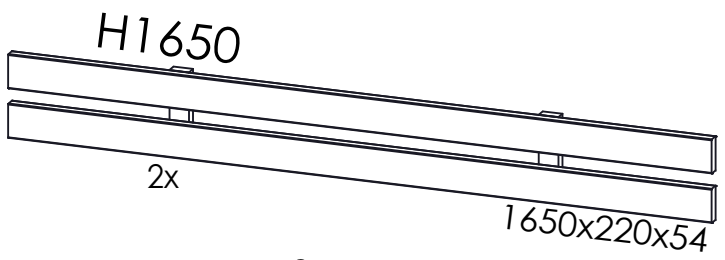
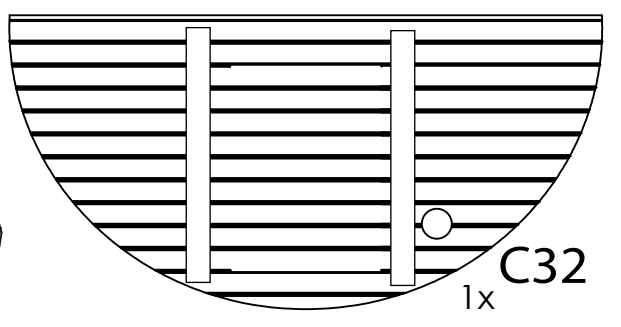
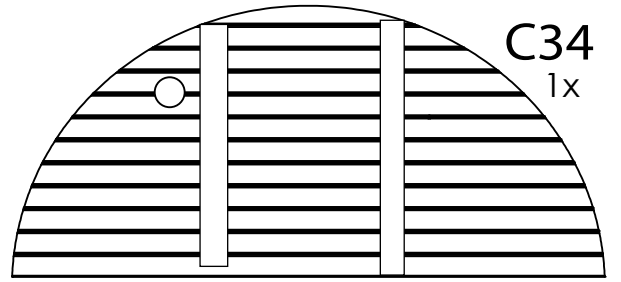
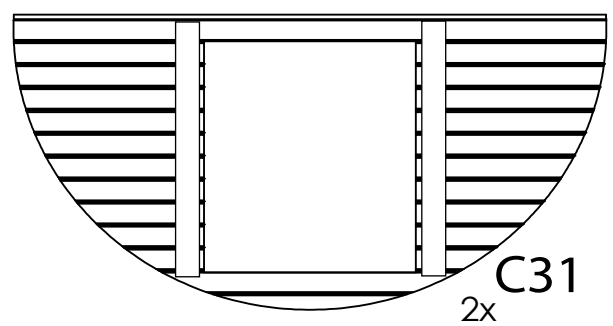
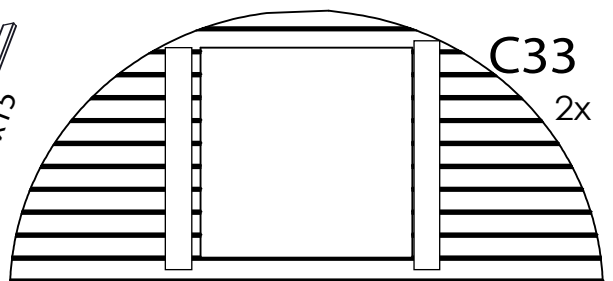
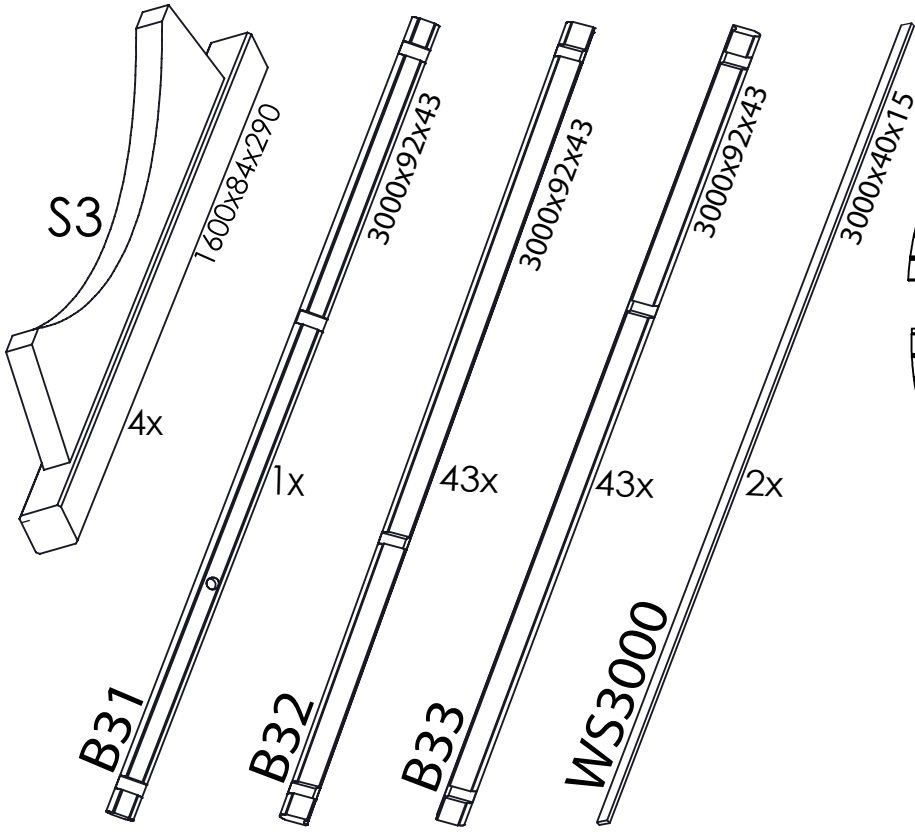
WOODDEN BARREL SAUNA COMFORTPROM 3m

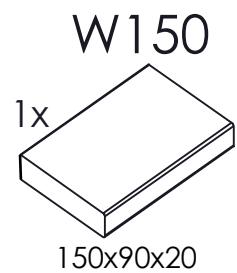
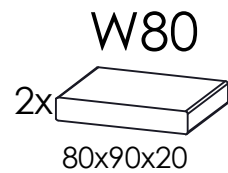
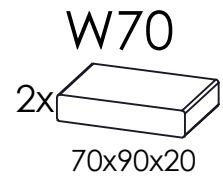
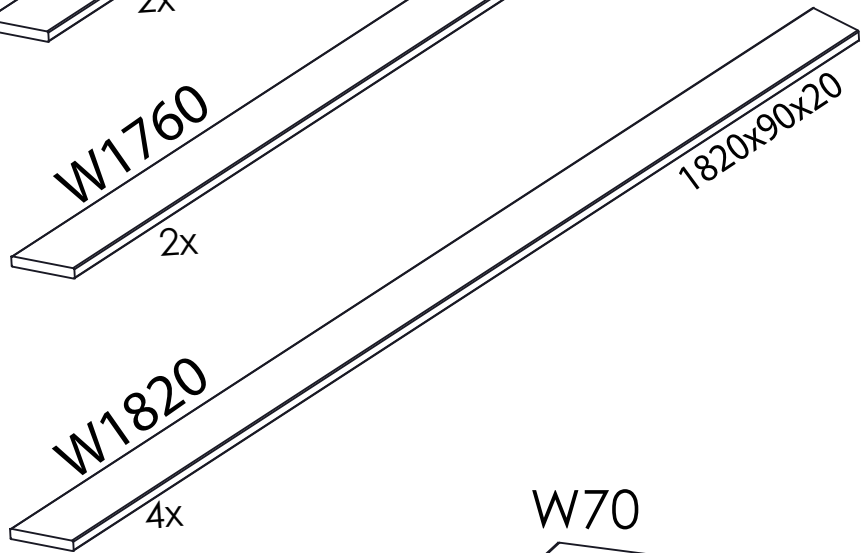
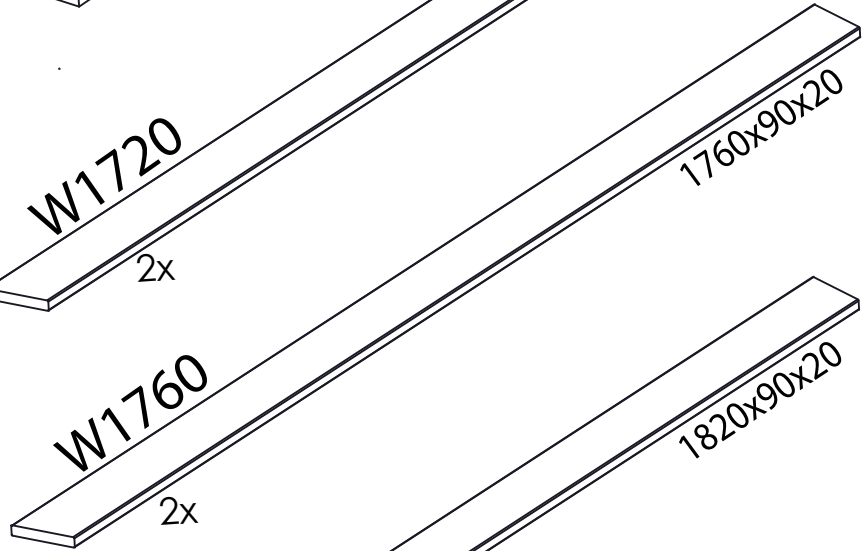
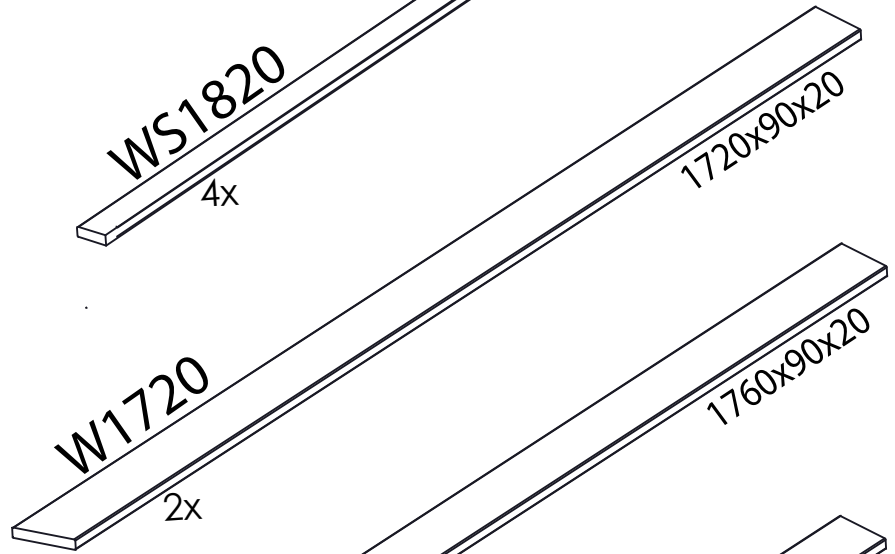
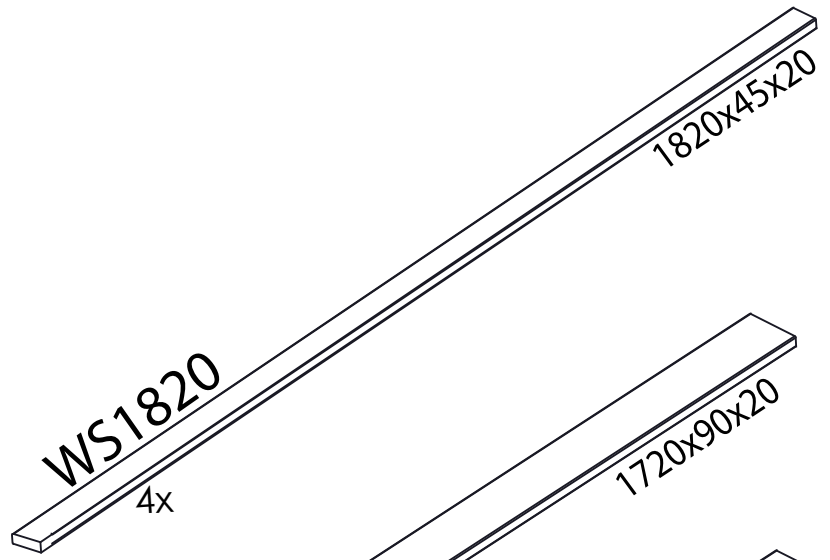
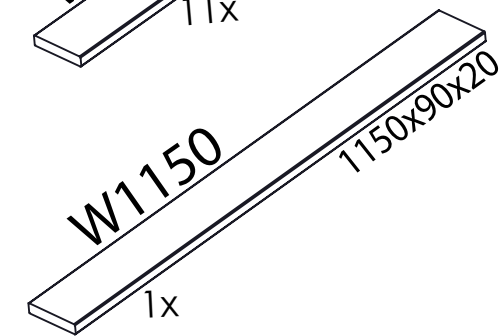
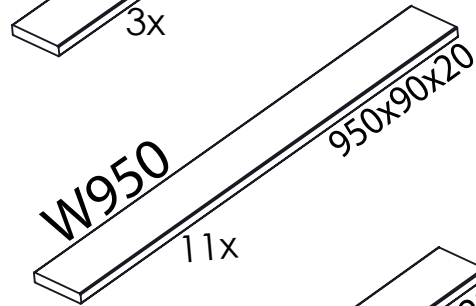
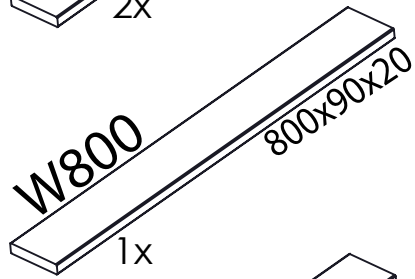
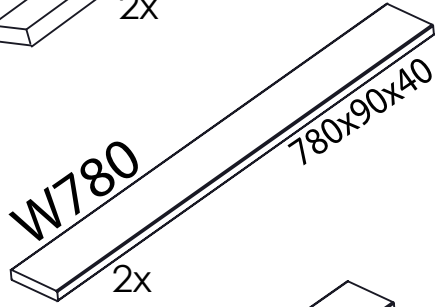
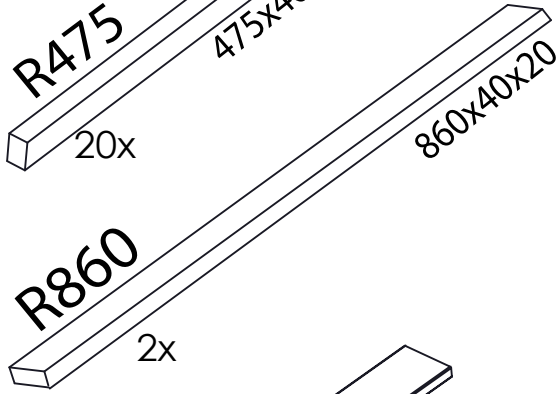
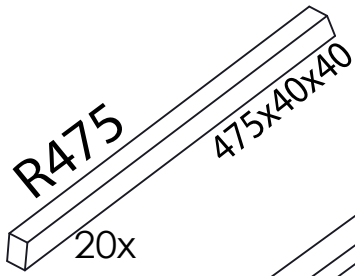


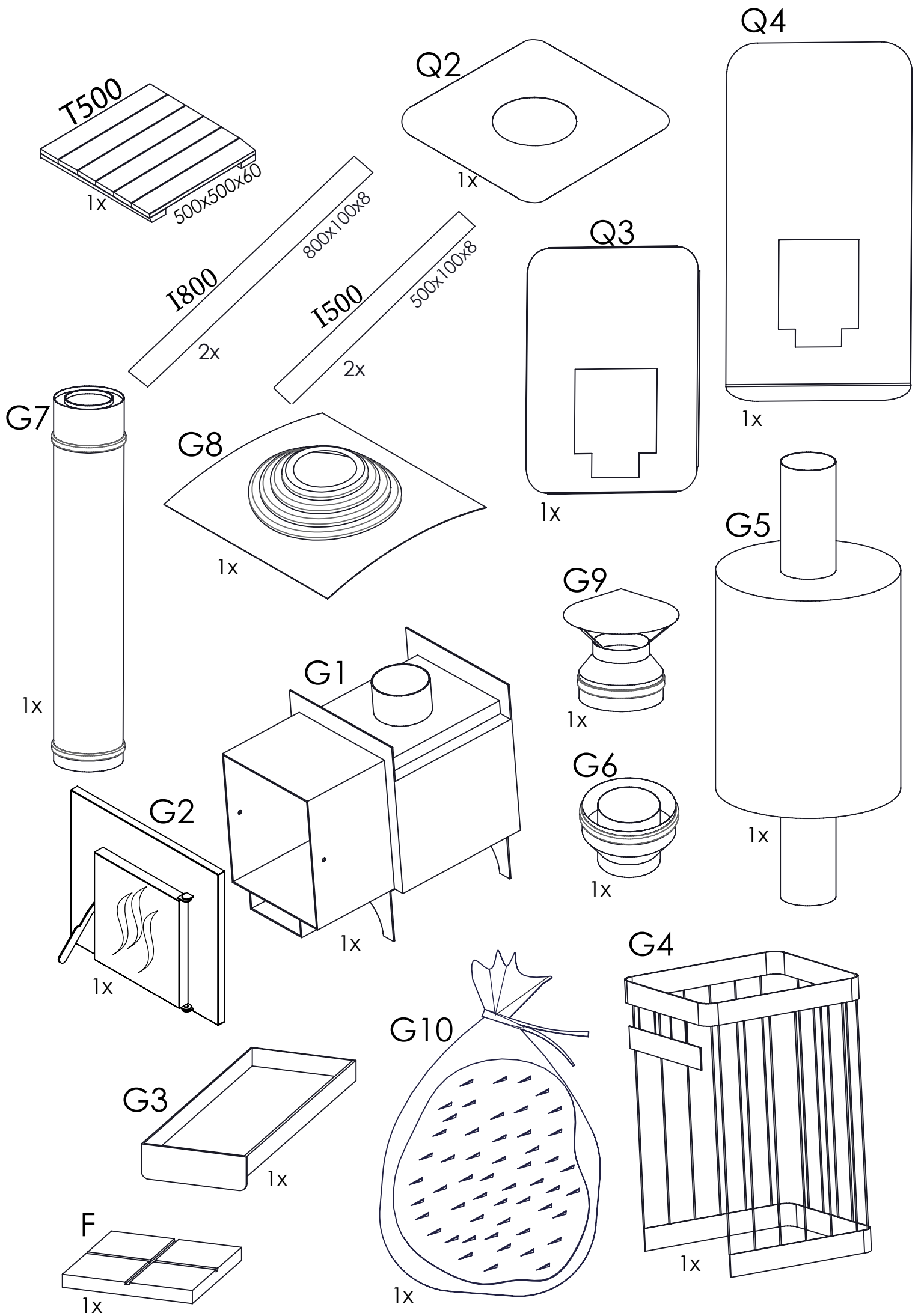
necessary tools



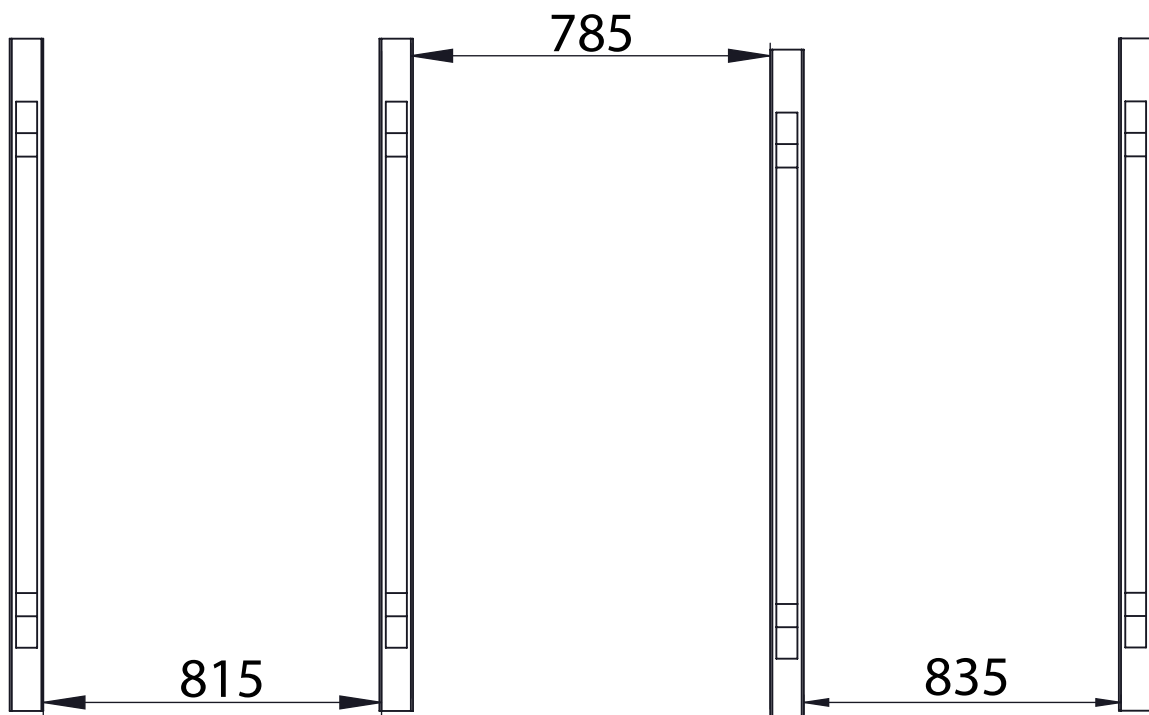
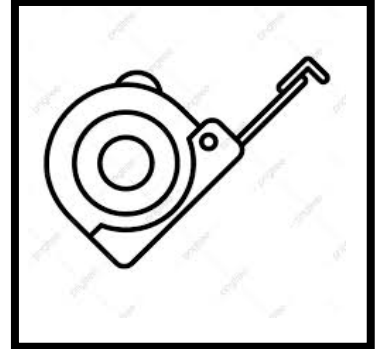
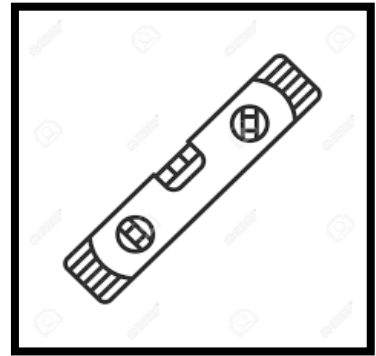
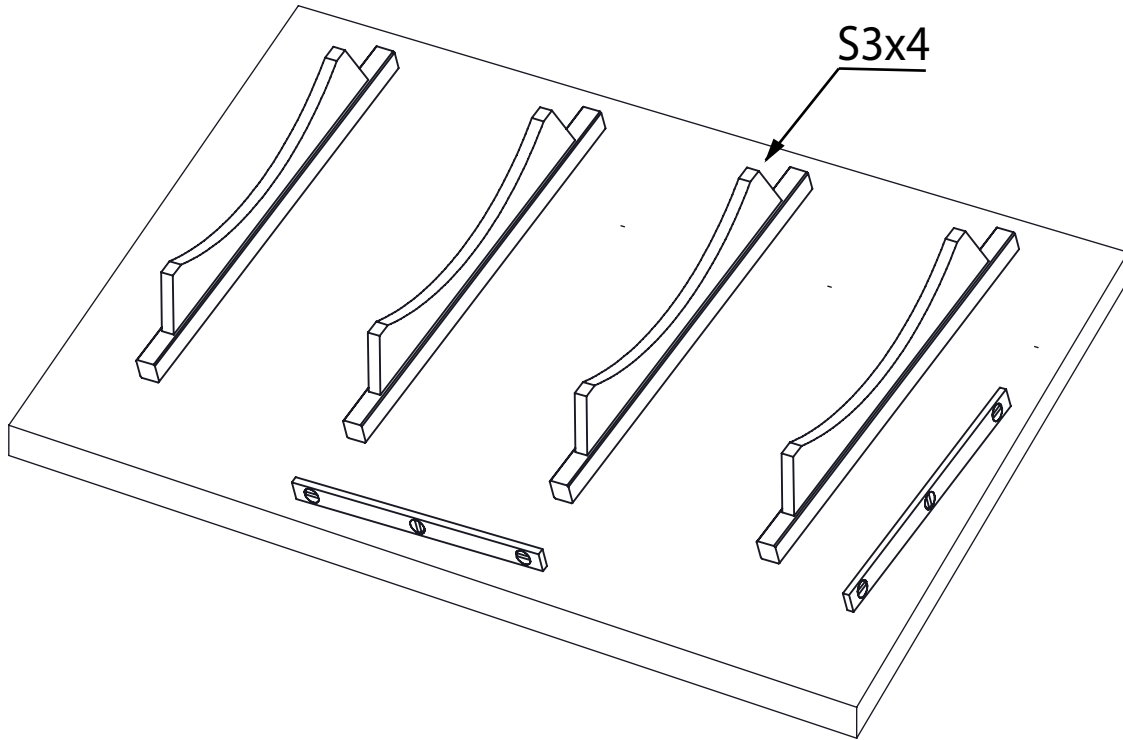


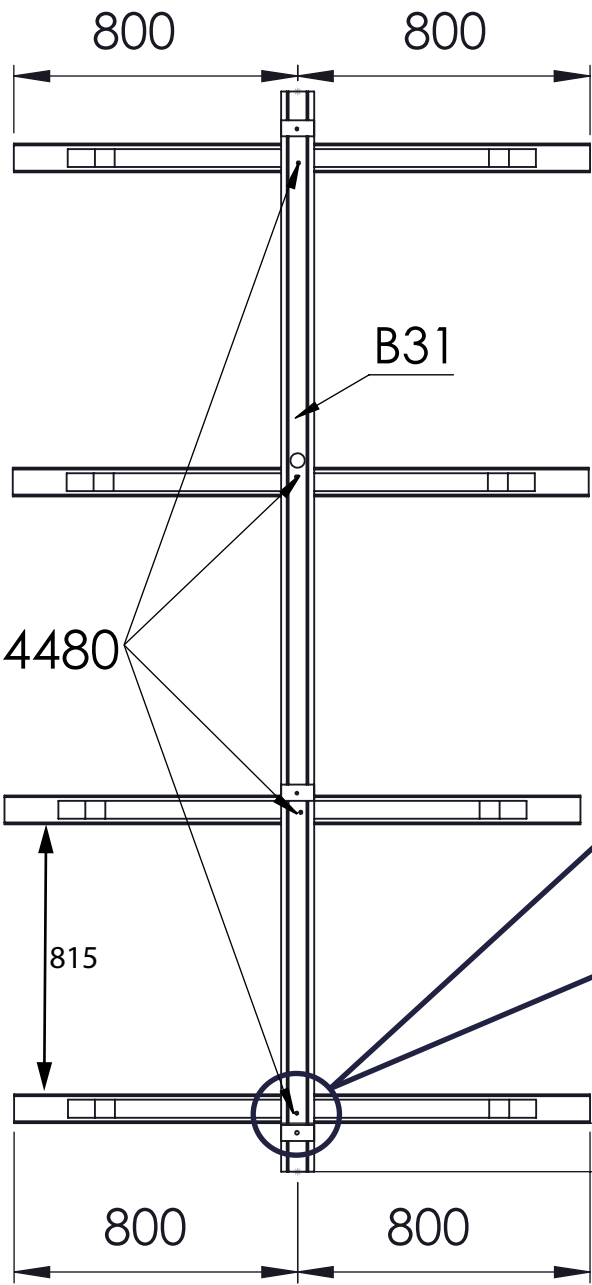




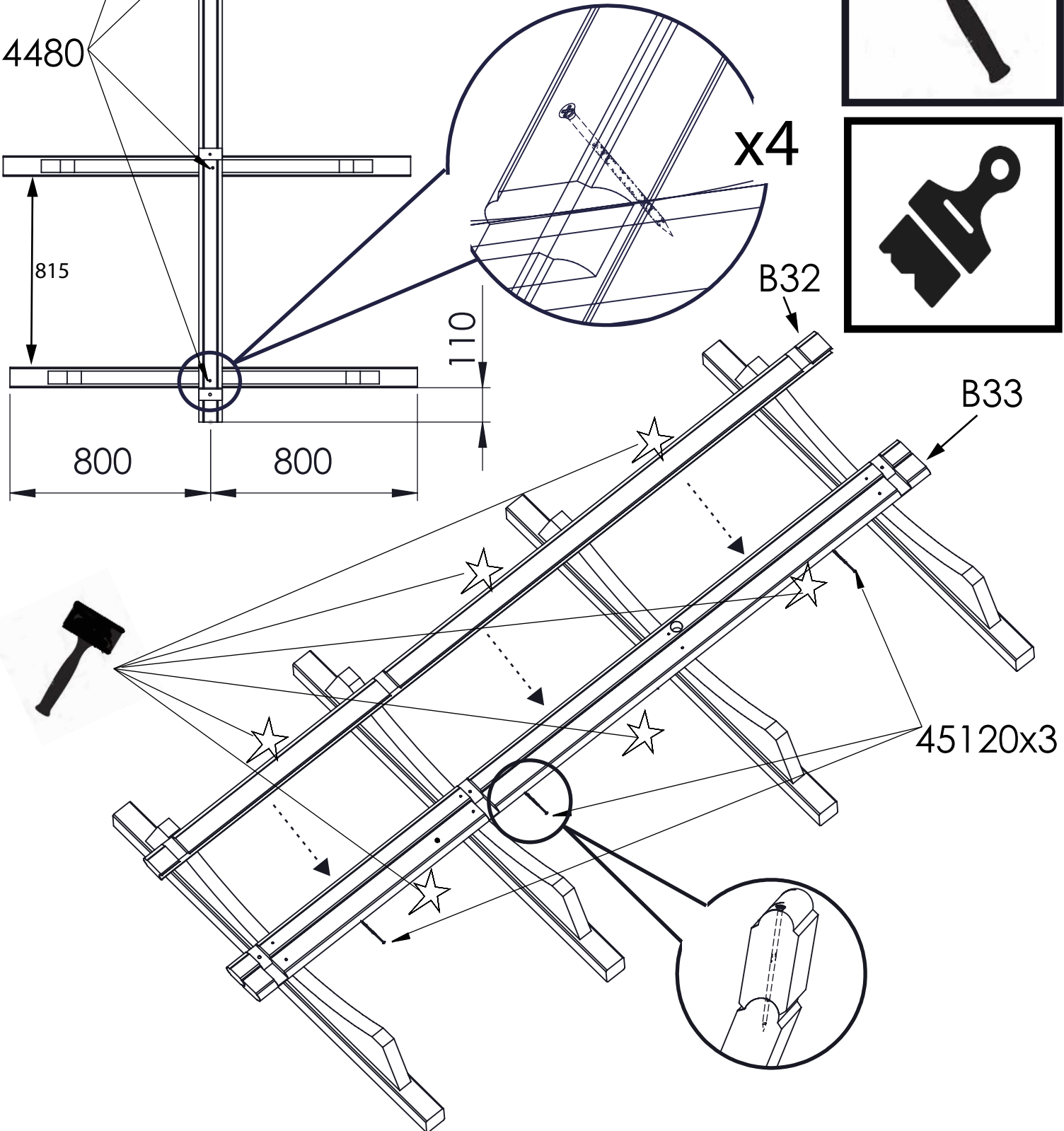


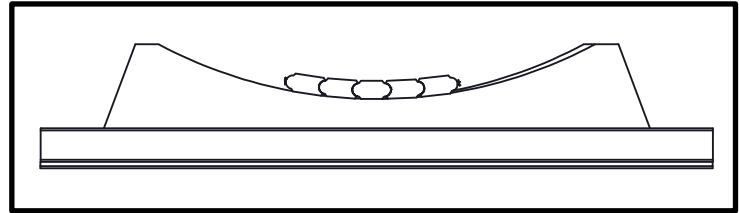
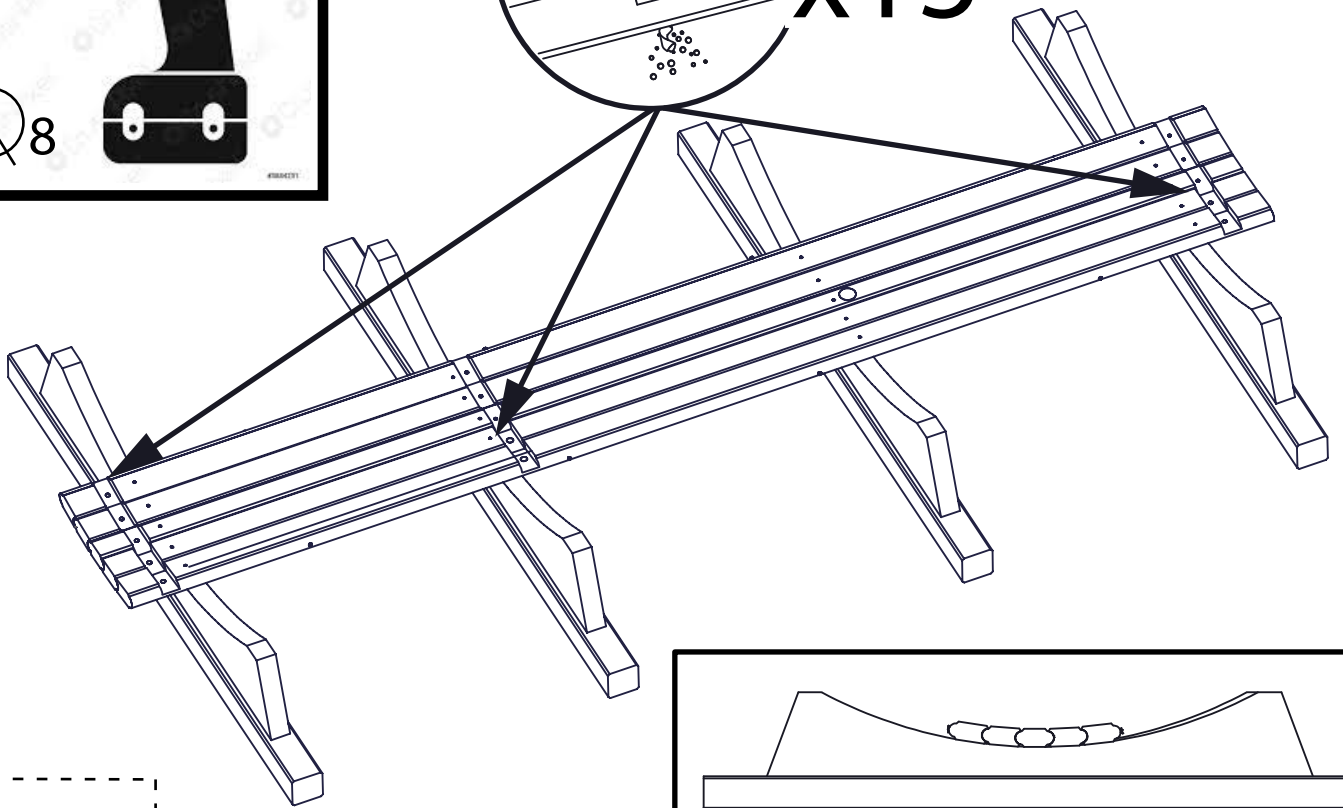
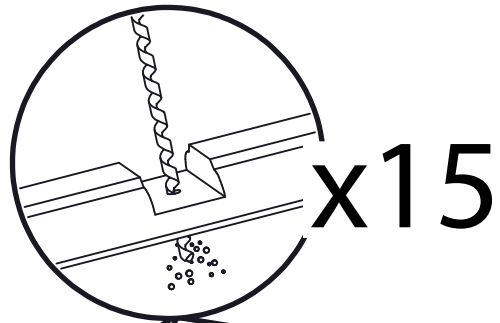
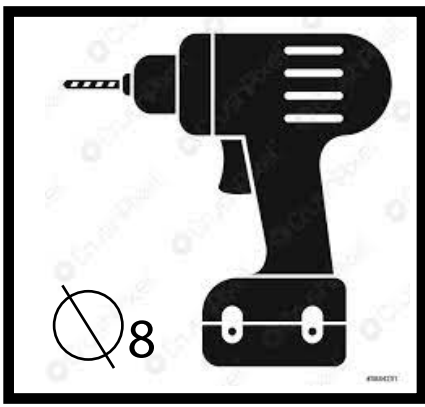
S3 - 4
G12



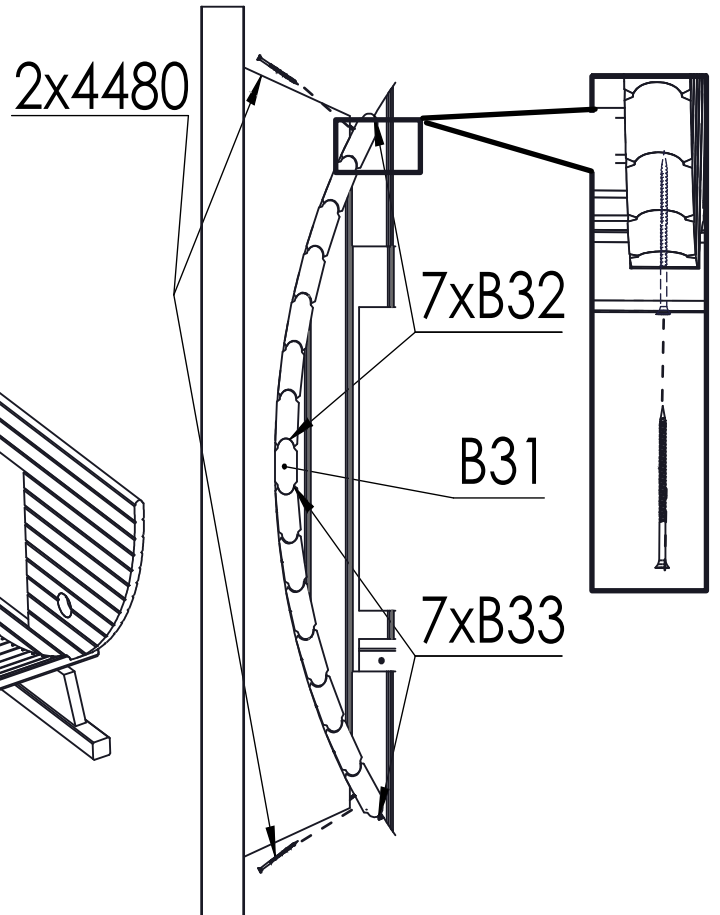
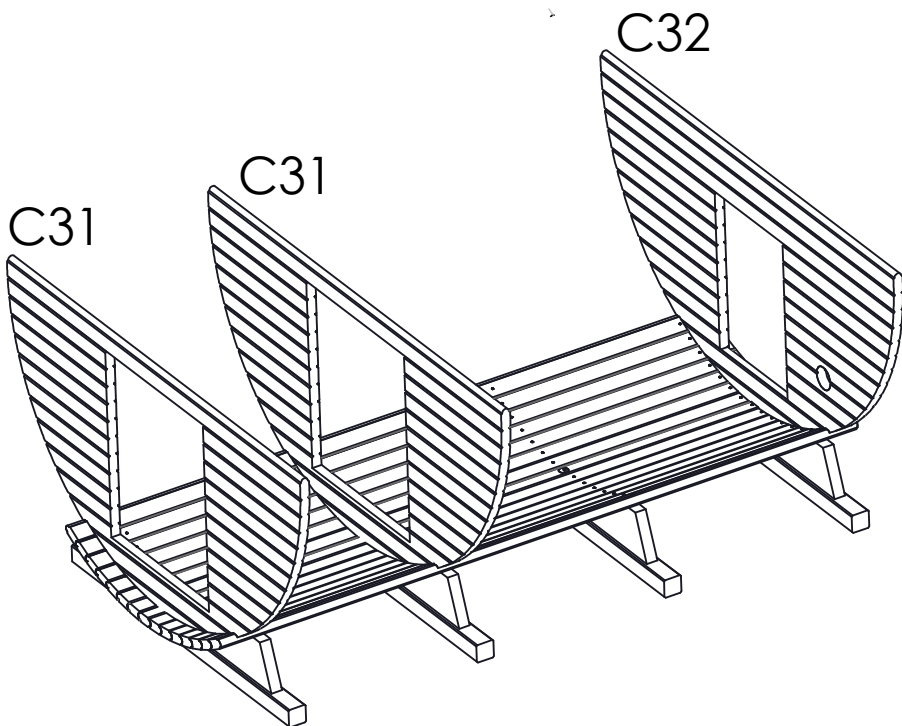


- B31 - 1
- B32 - 2
- B33 - 2
- 4480 - 20
- 45120 - 12
- G12 - *only outside!*

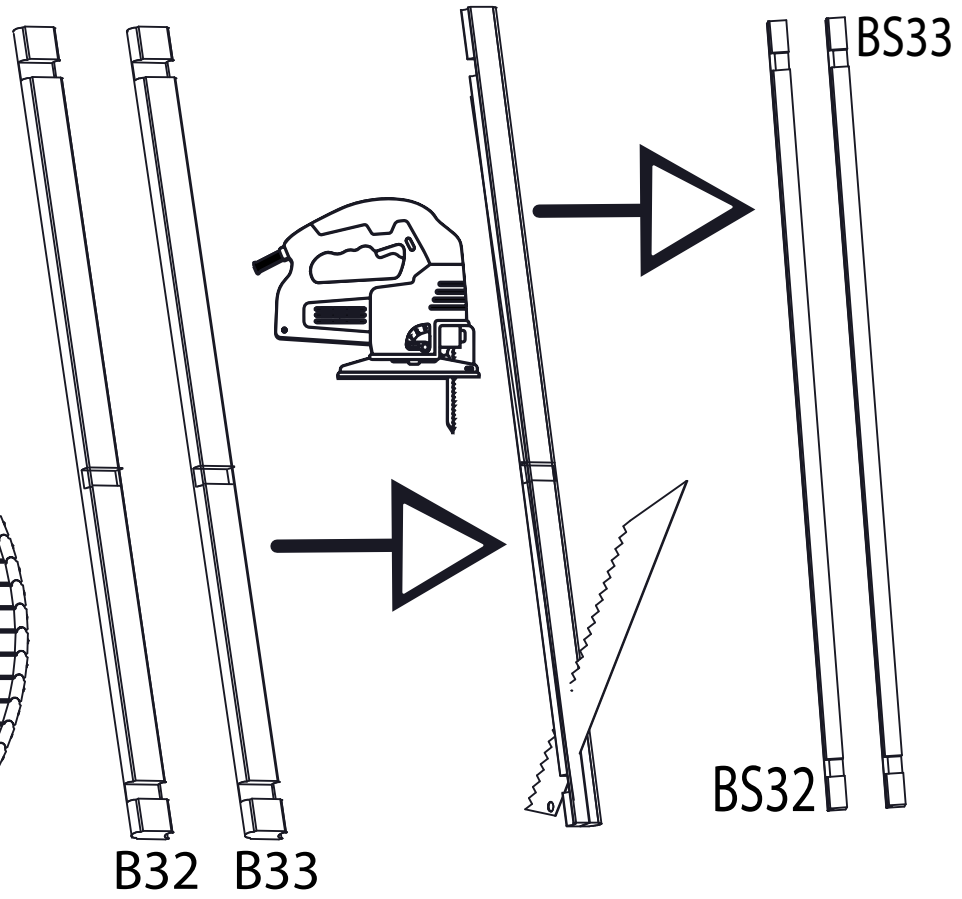
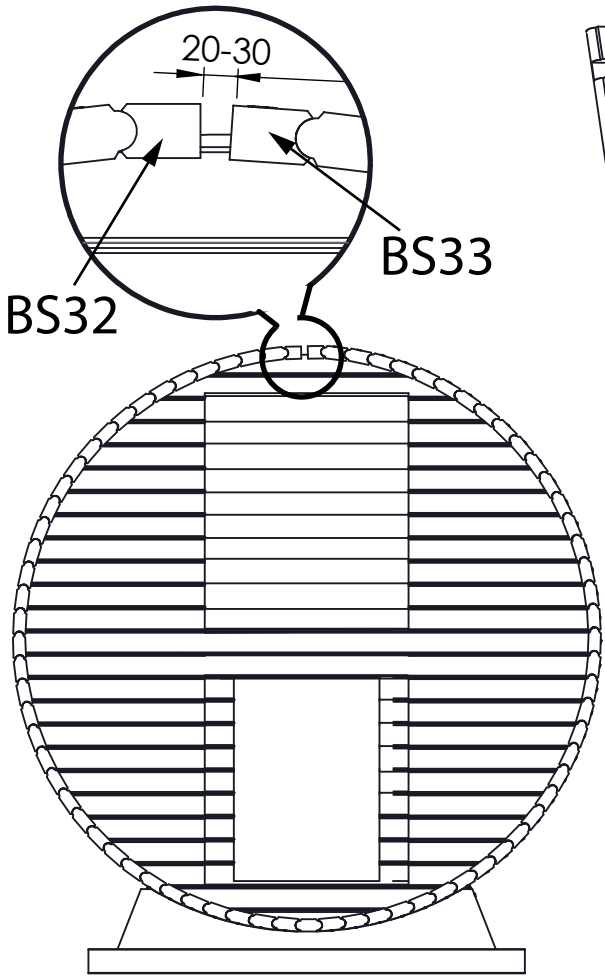
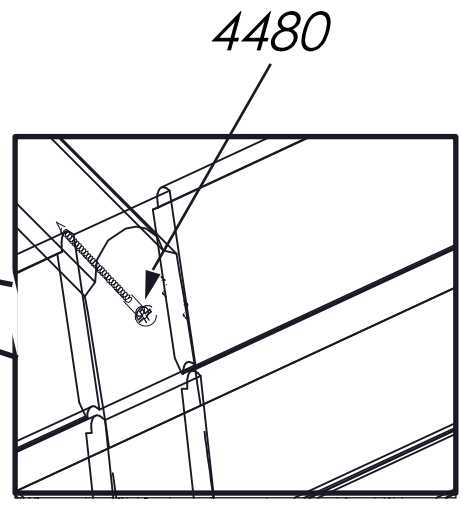
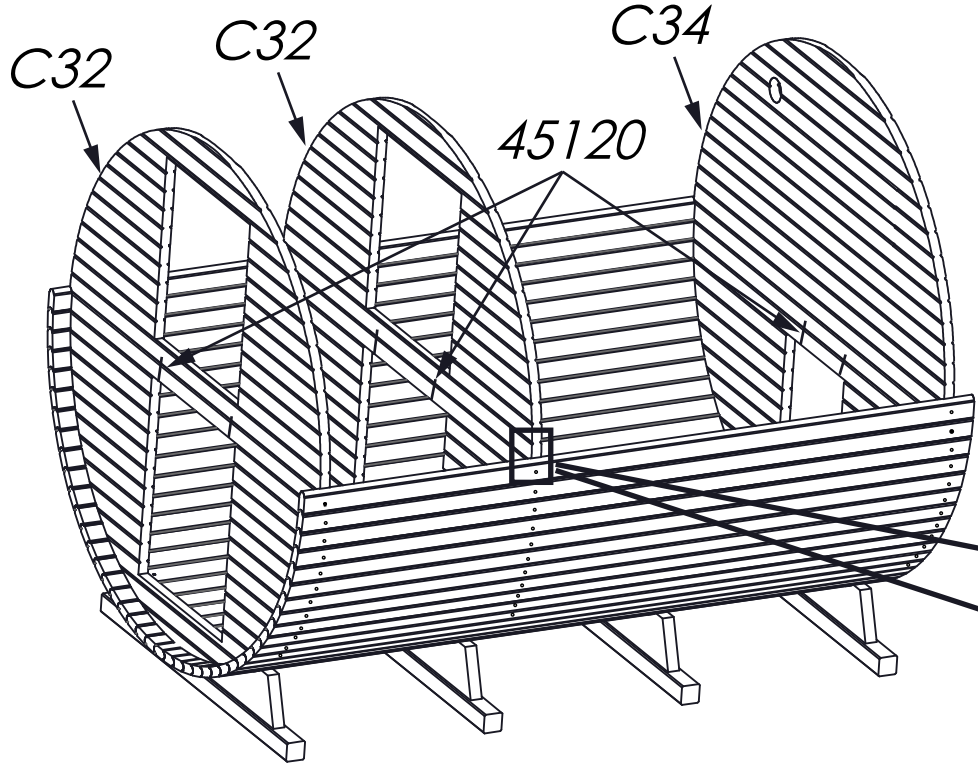
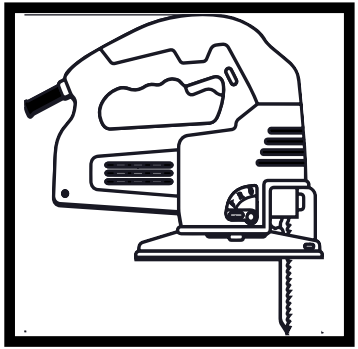




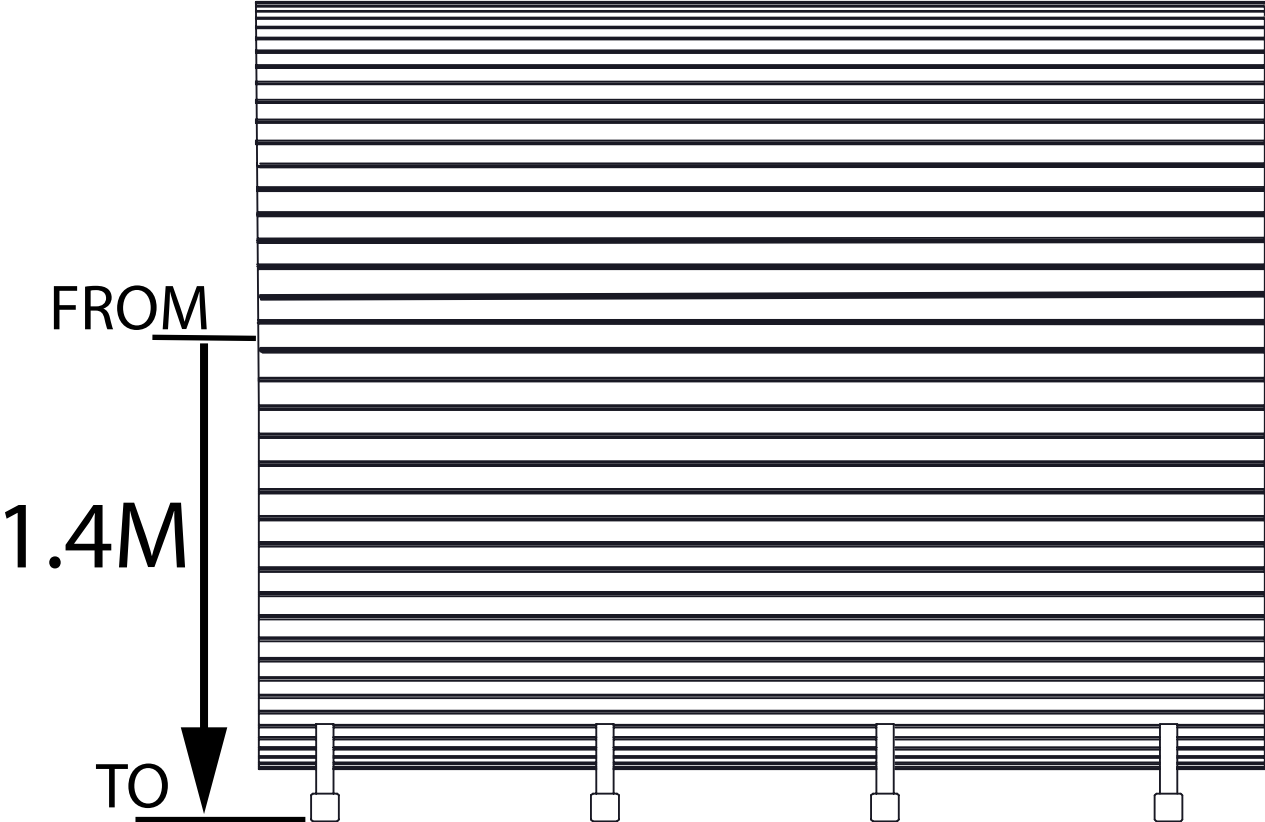
- C31 - 2
- C32 - 1
- B32 - 5
- B33 - 5
- 4480 - 46
- 45120 - 30



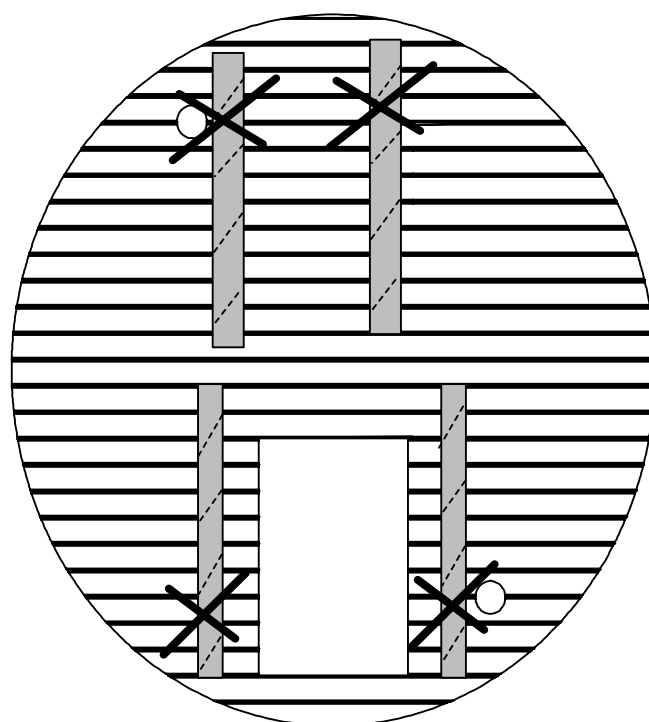
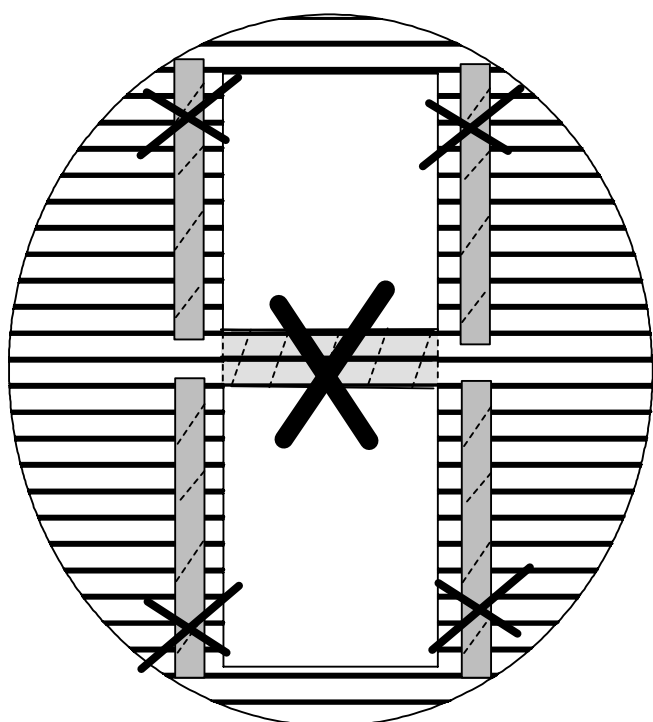
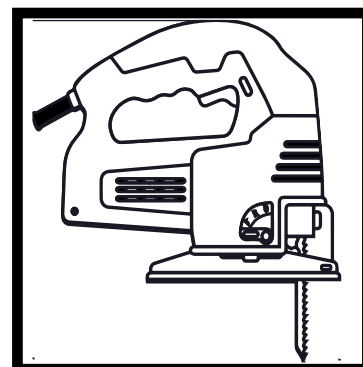
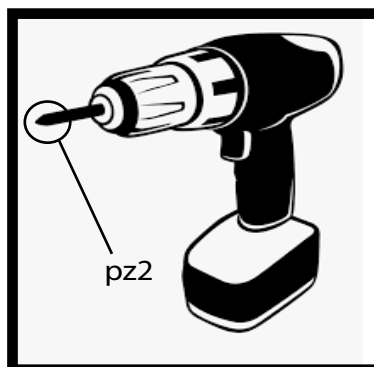
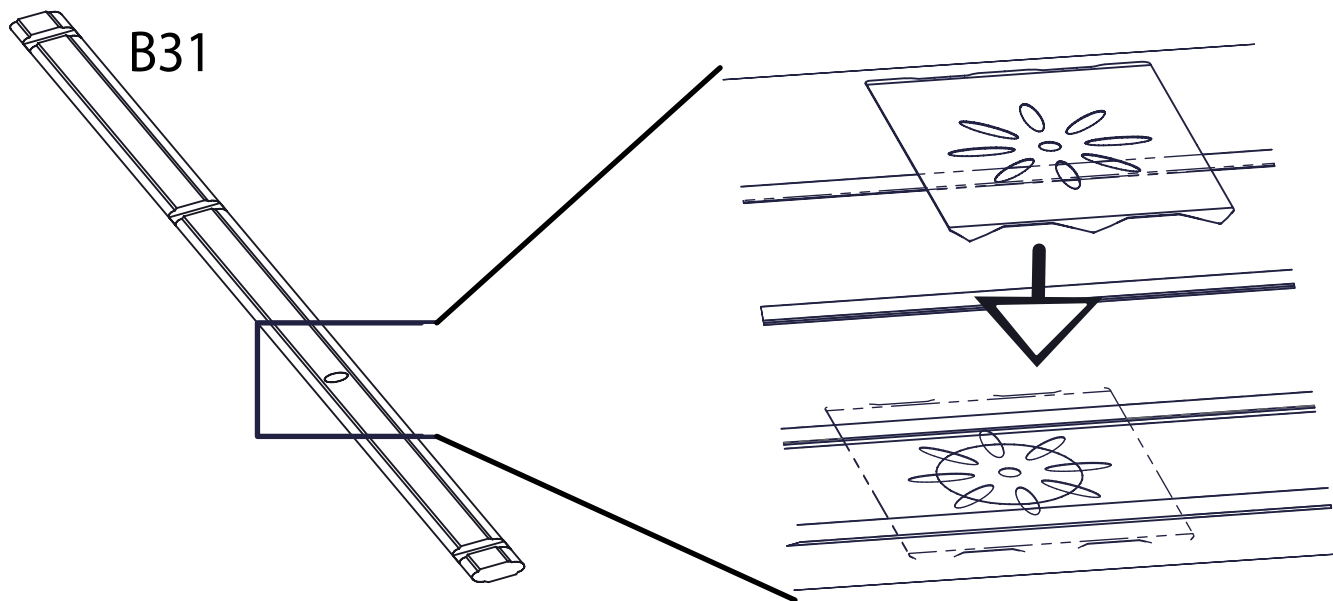
C33 - 2
 C34 - 1
 B32 - 35
 B33 - 35
 4480 - 210
 45120 - 216

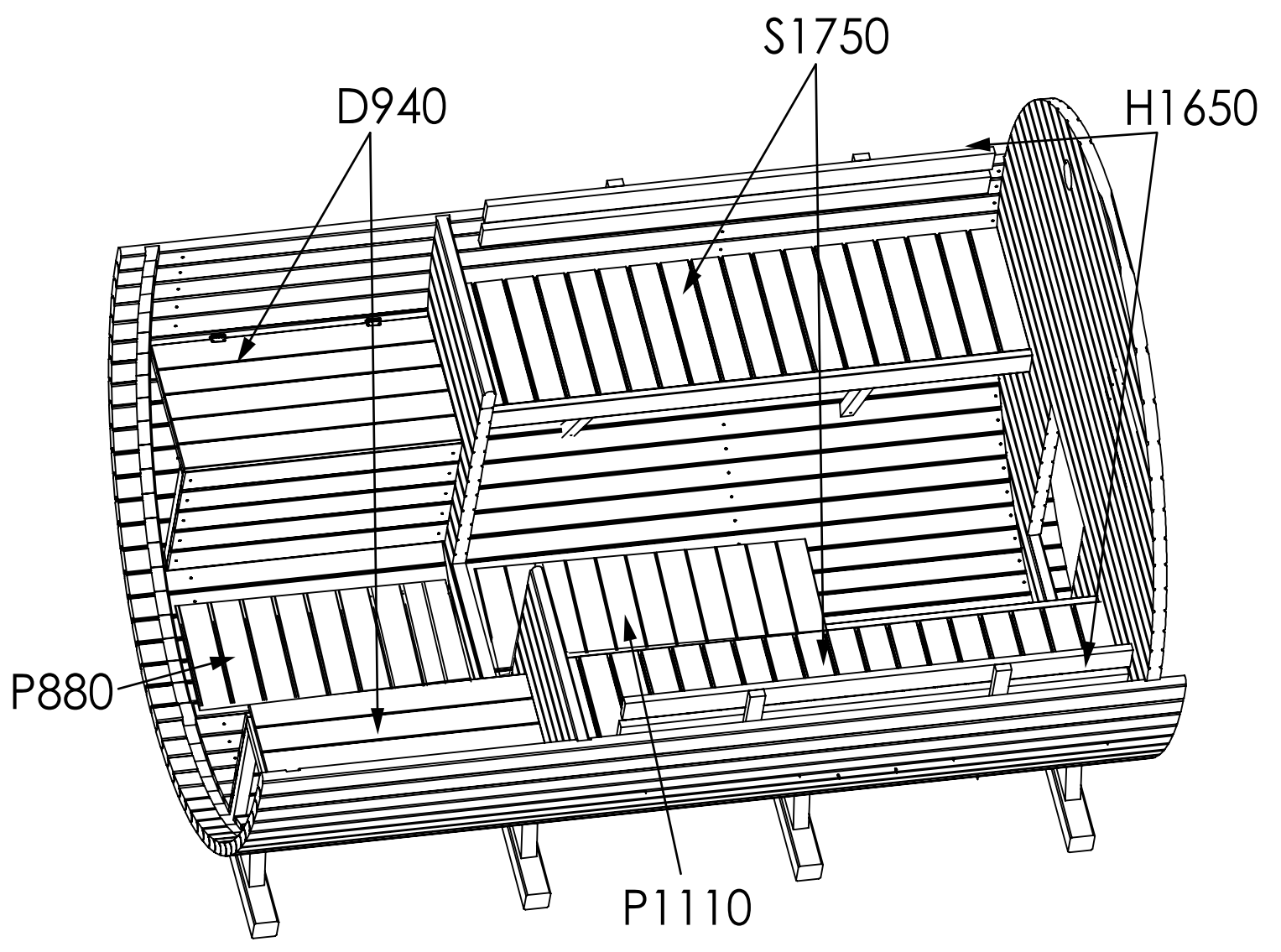
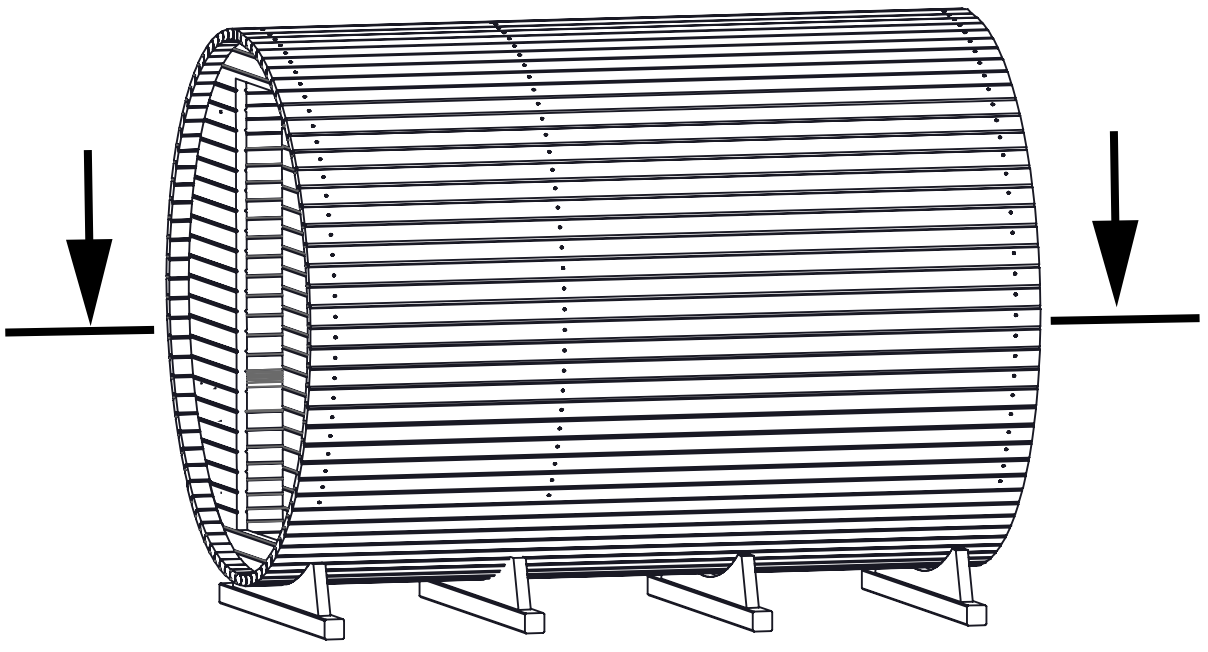


G12 - only out side!

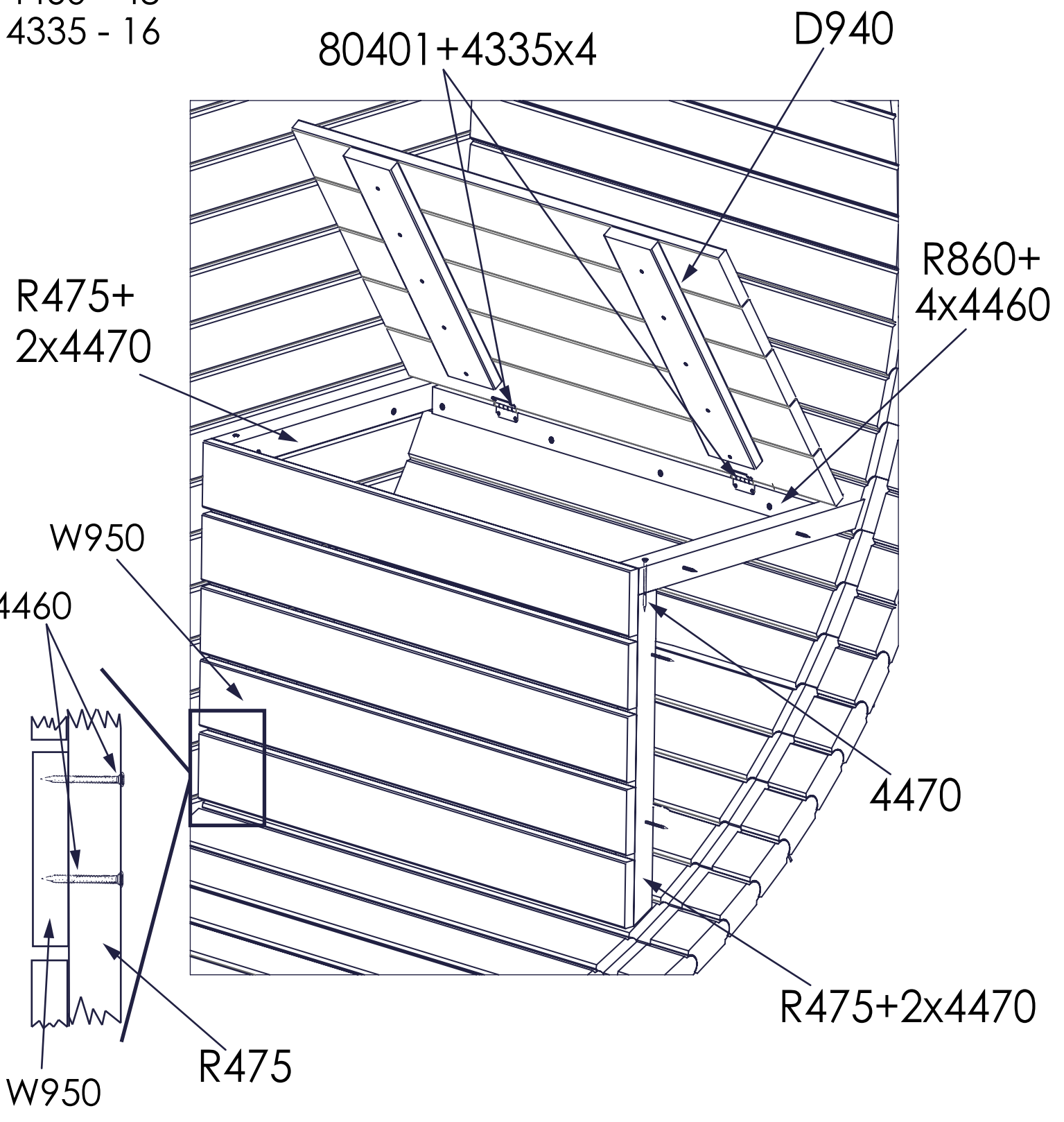


Q1 - 1

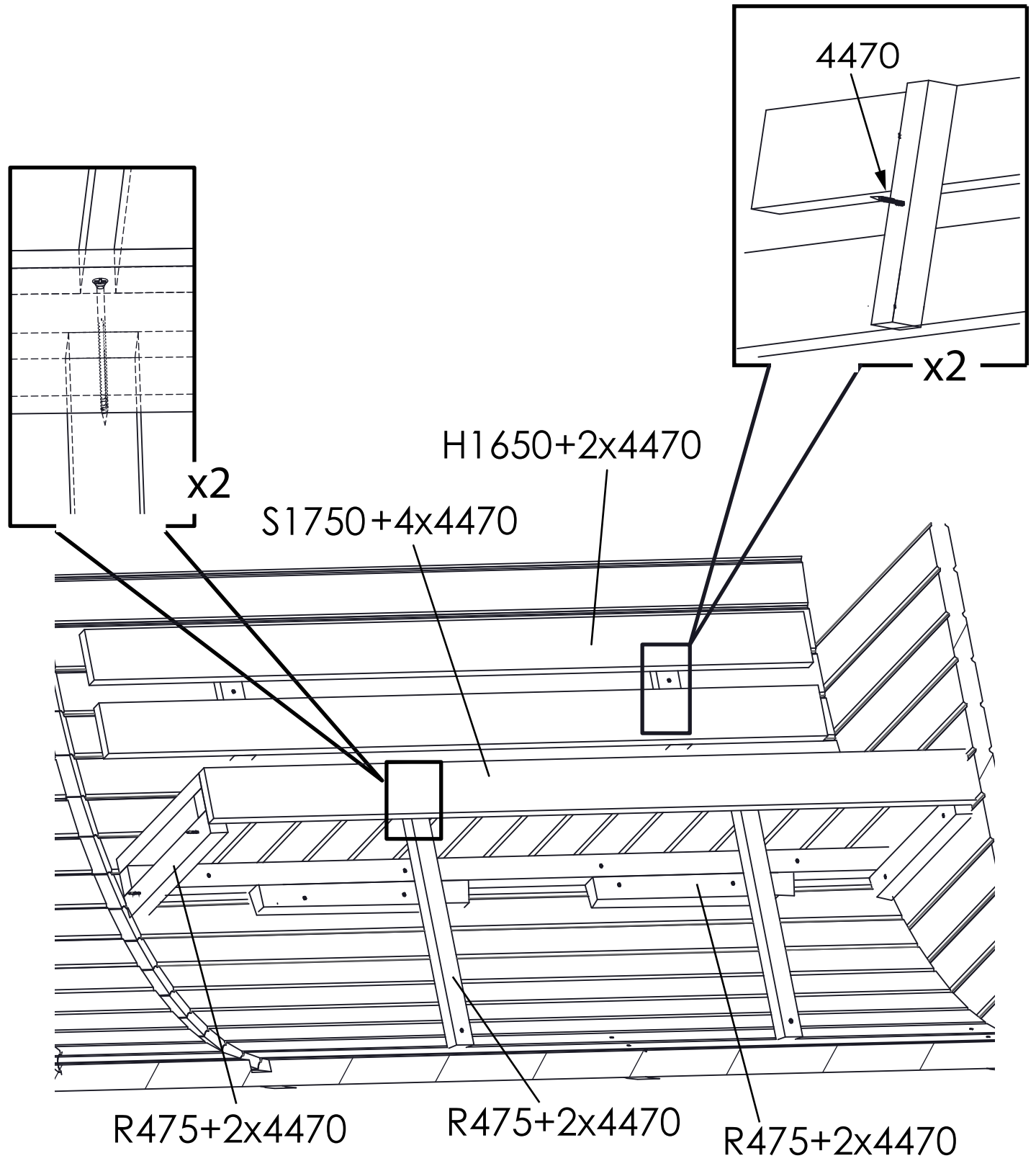




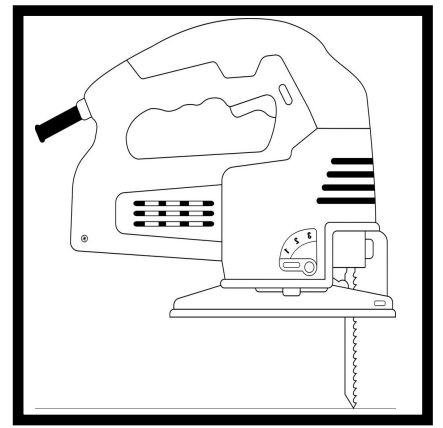
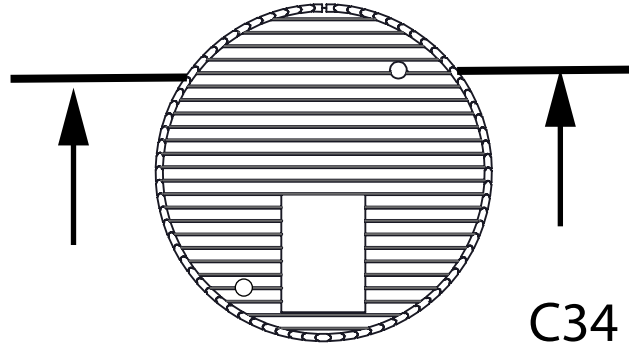
- D940 - 2
- R860 - 2
- R475 - 8
- W950 - 10
- 80401 - 4
- 4470 - 20
- 4460 - 48
- 4335 - 16



H1650 - 2
S1750 - 2
R475 - 12
4470 - 36

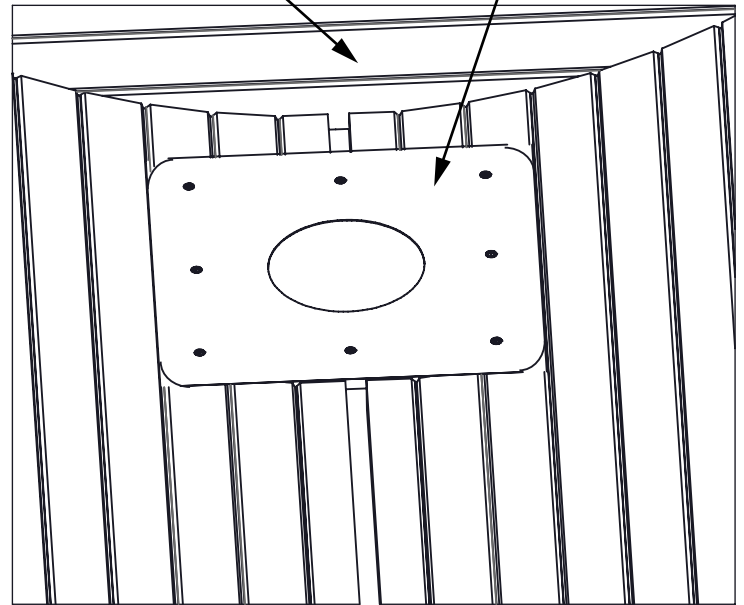
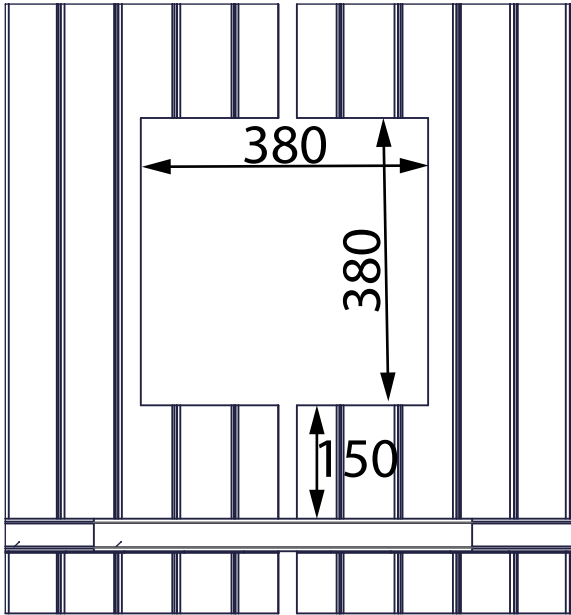


Q2 - 1
4232 - 8



C34

Q2+4232x8

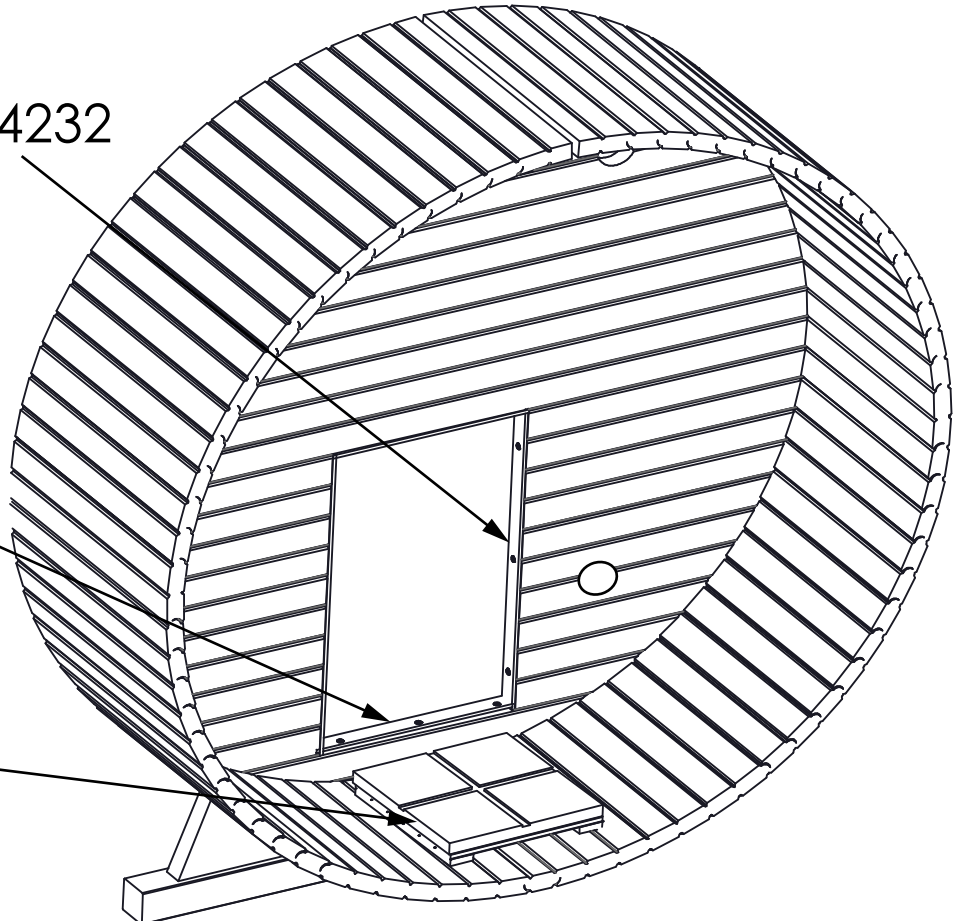


I500 - 2
I800 - 2
T500 - 1
4232 - 12
F - 1

I800+3x4232

I500+3x4232

T500+F

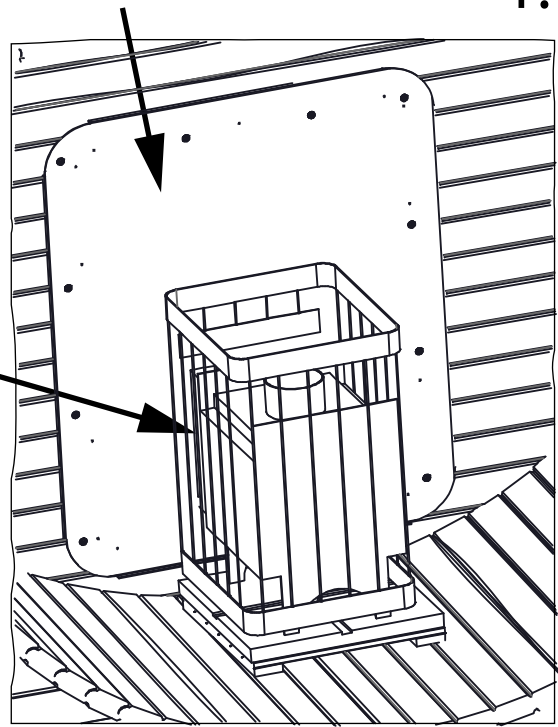


- G1 - 1
- G2 - 1
- G3 - 1
- G4 - 1
- G10 - 70%
- Q3 - 1
- Q4 - 1
- 4232 - 22

Q3+4232x10

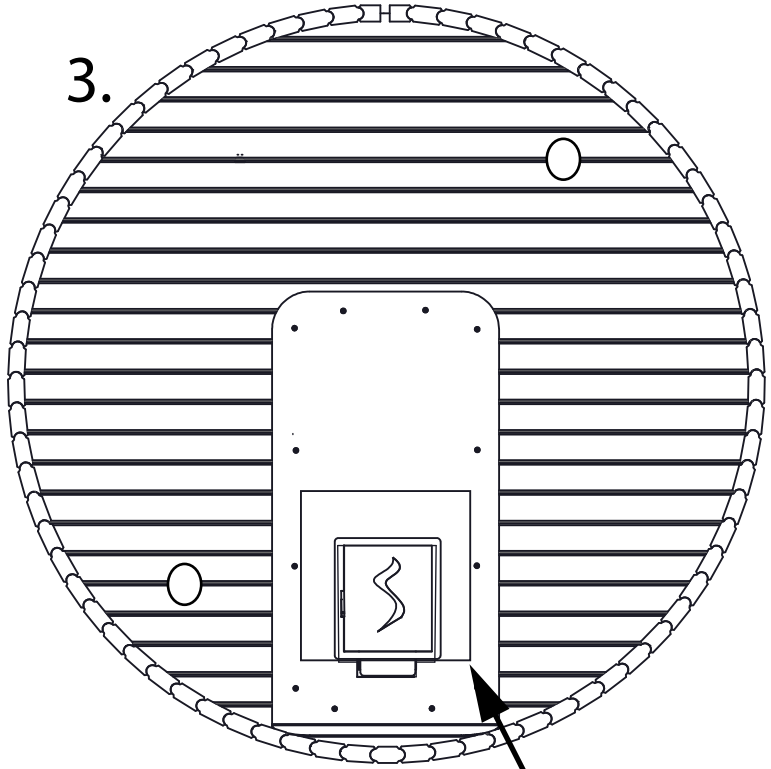
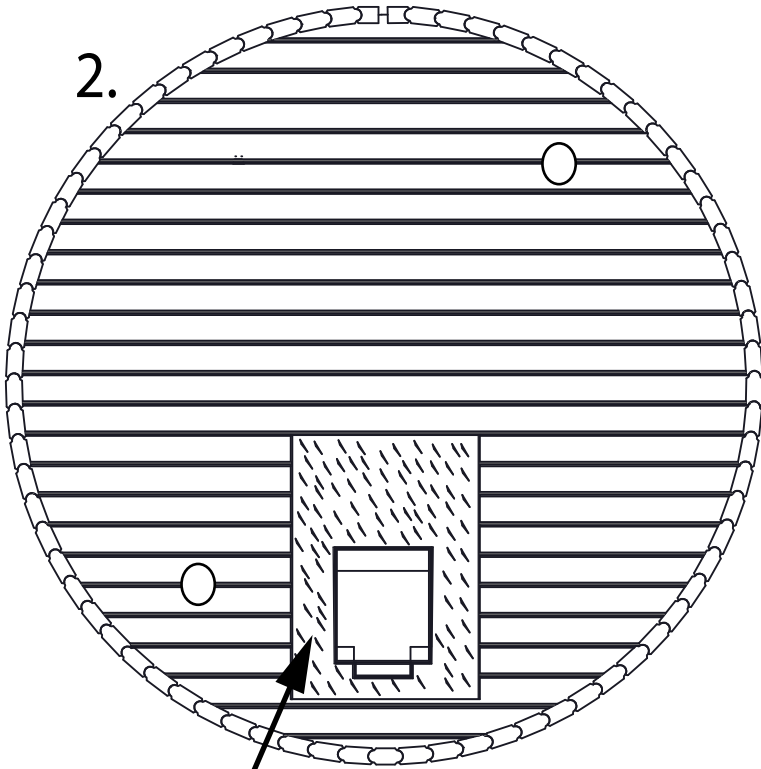
1.

G1+G4



2.

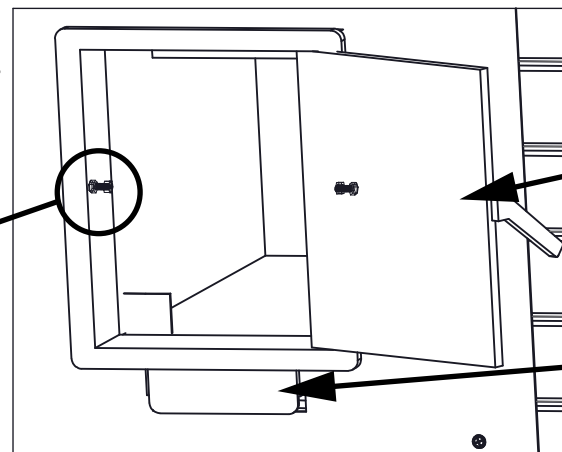
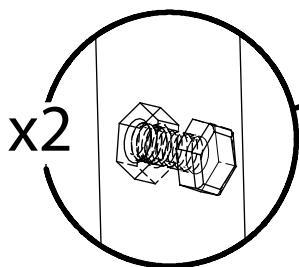
3.



G10

Q4+4232x12

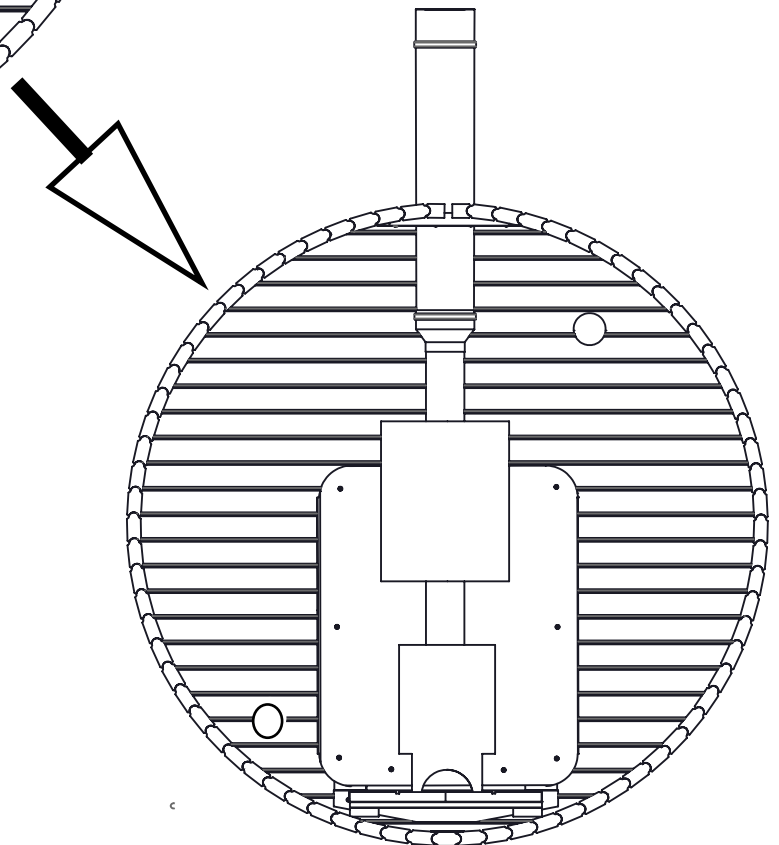
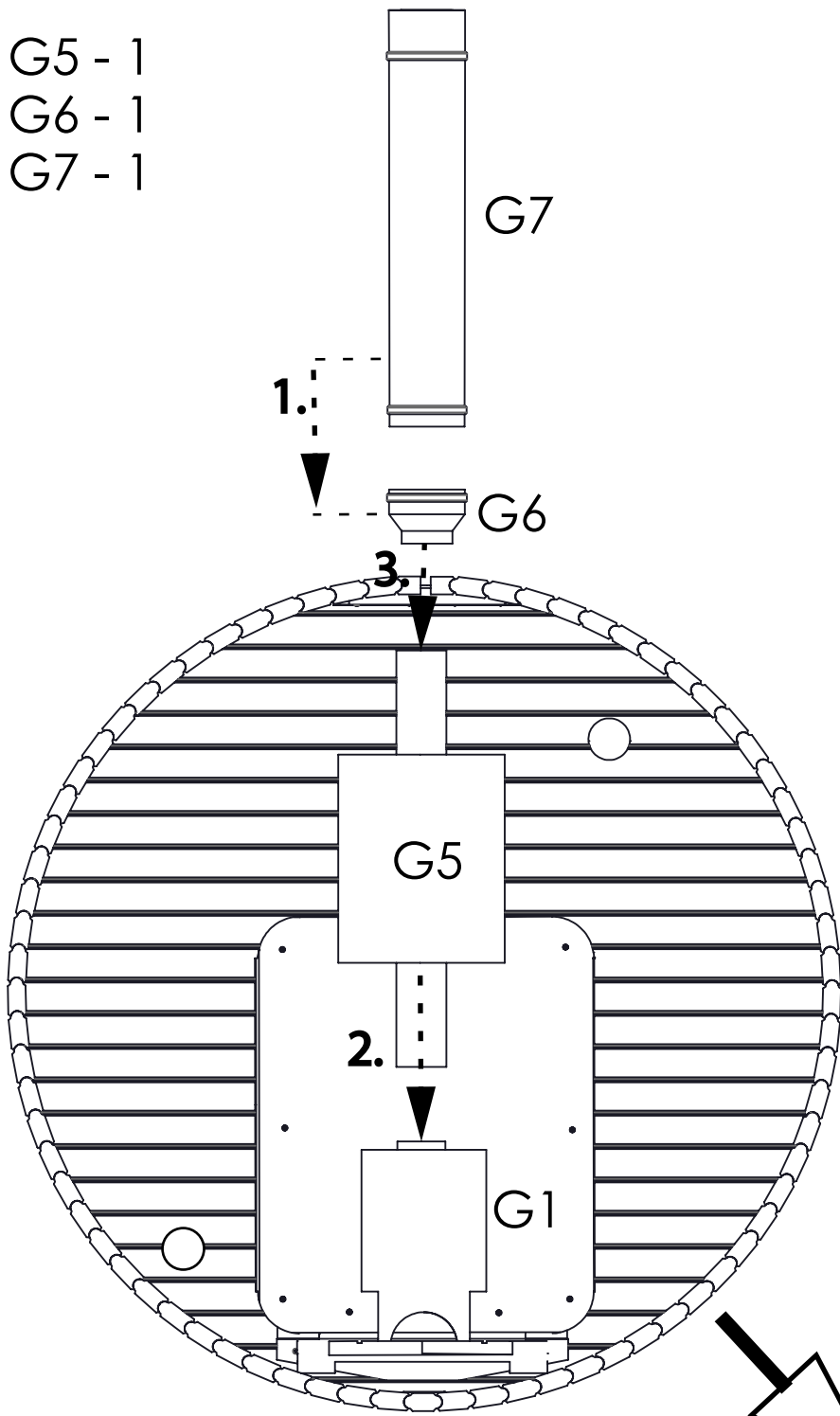
4.



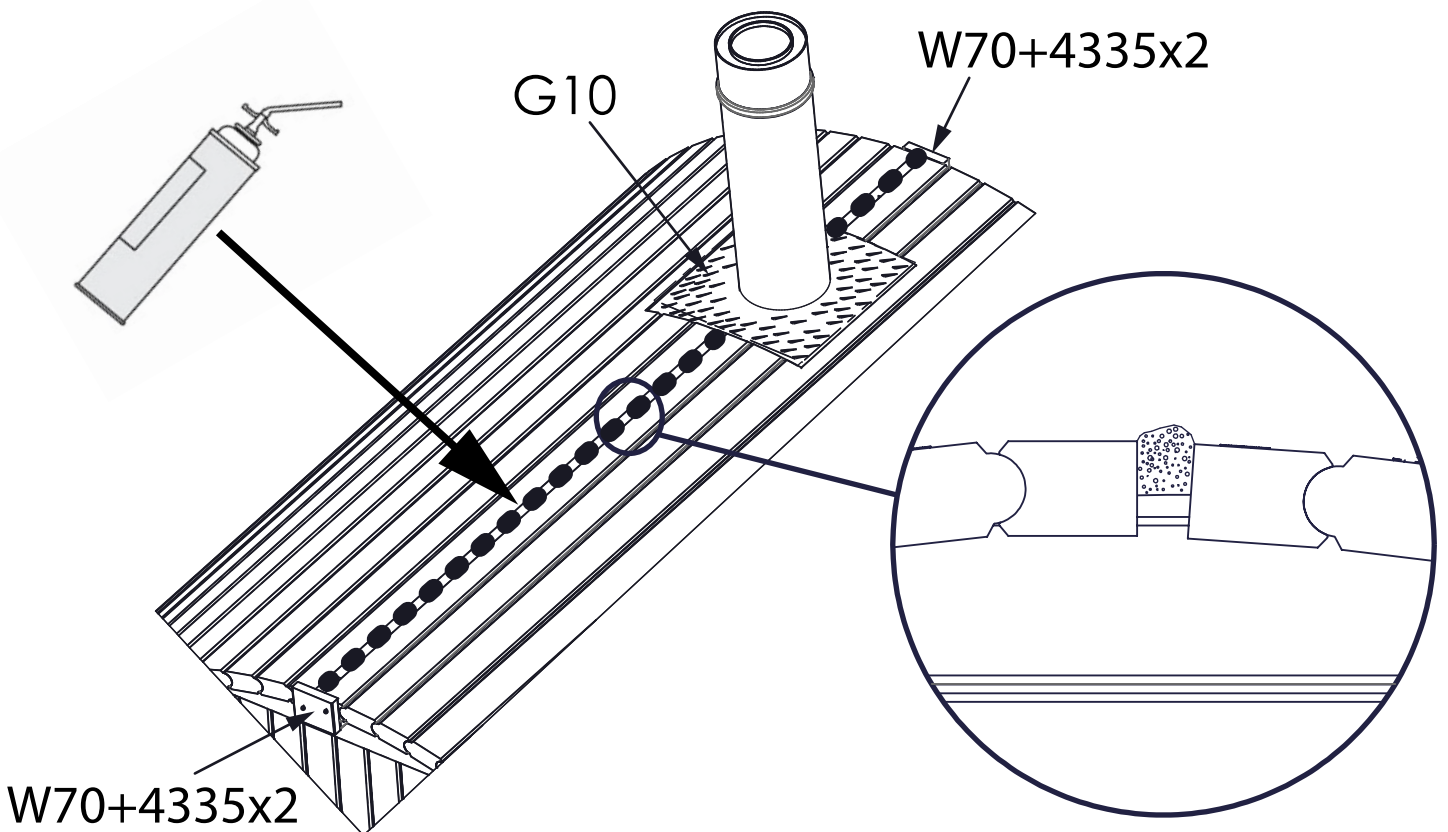
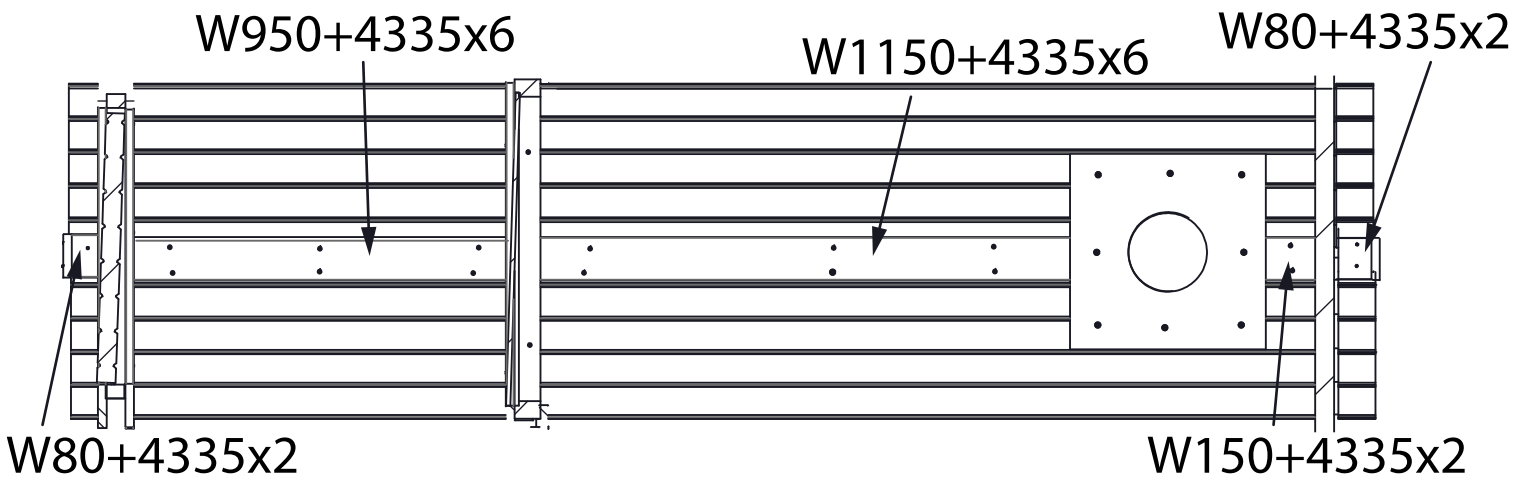
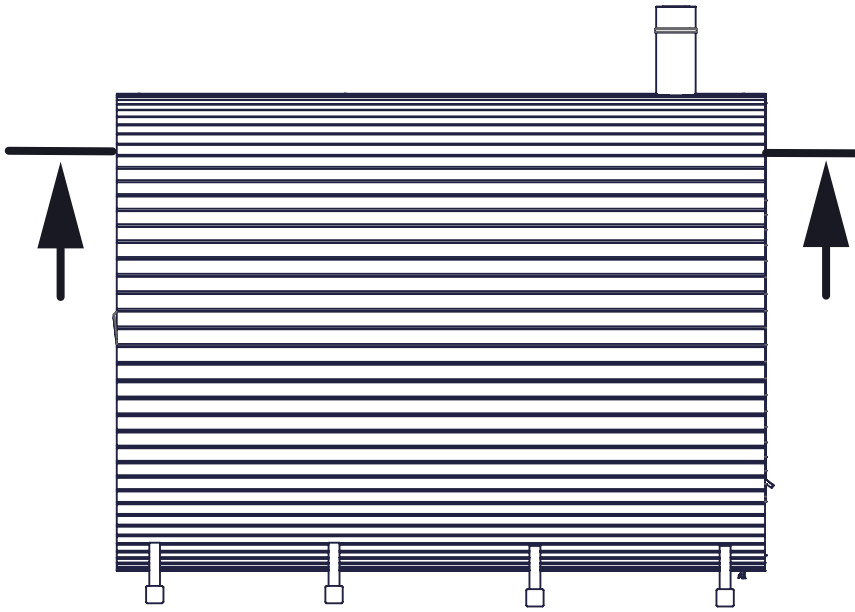
G2

G3

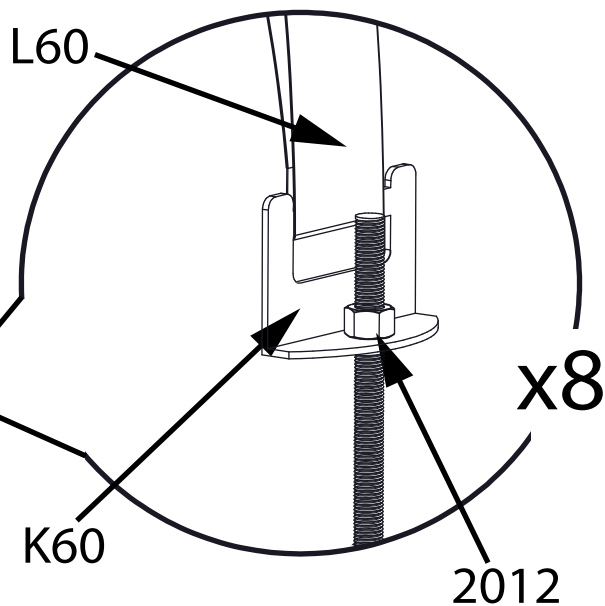
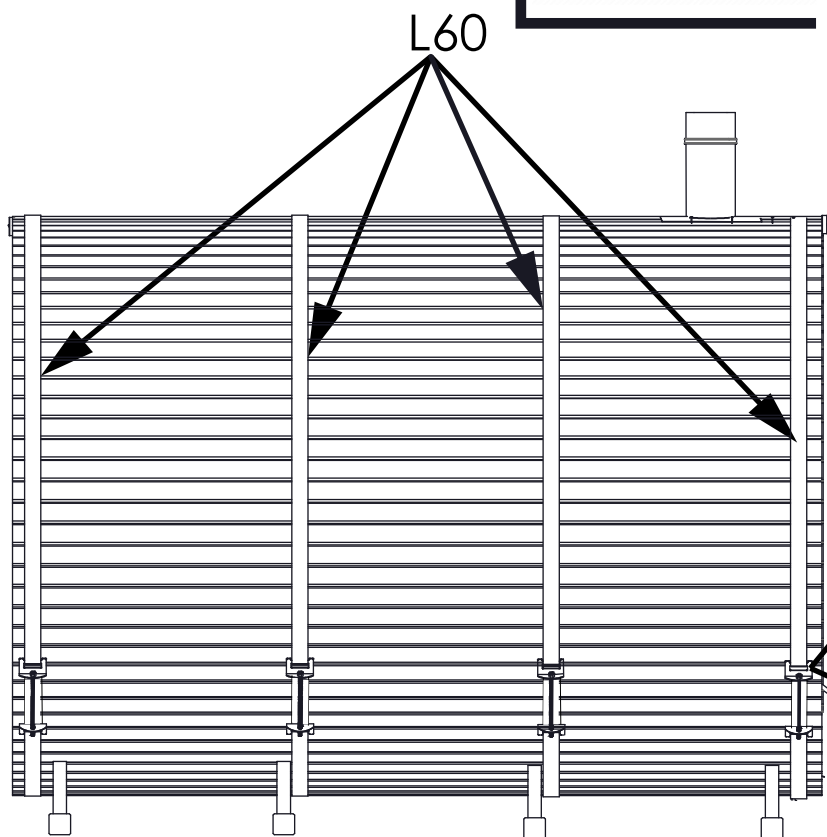
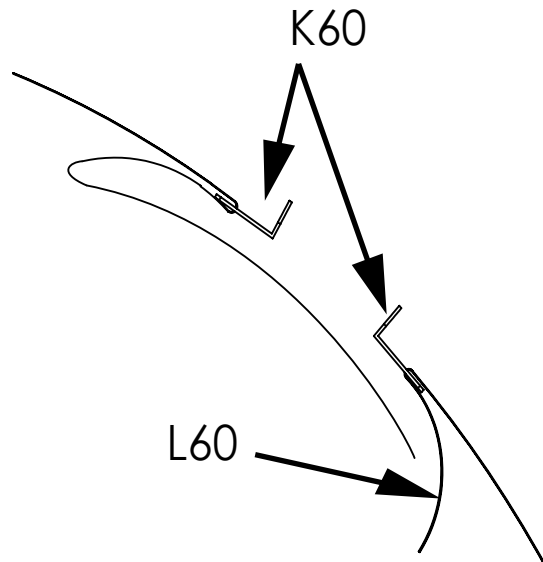
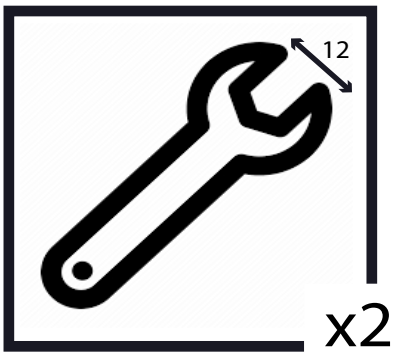
G5 - 1
G6 - 1
G7 - 1



W1150 - 1
 W950 - 1
 W150 - 1
 W80 - 2
 W70 - 2
 4335 - 22
 G10
 G11



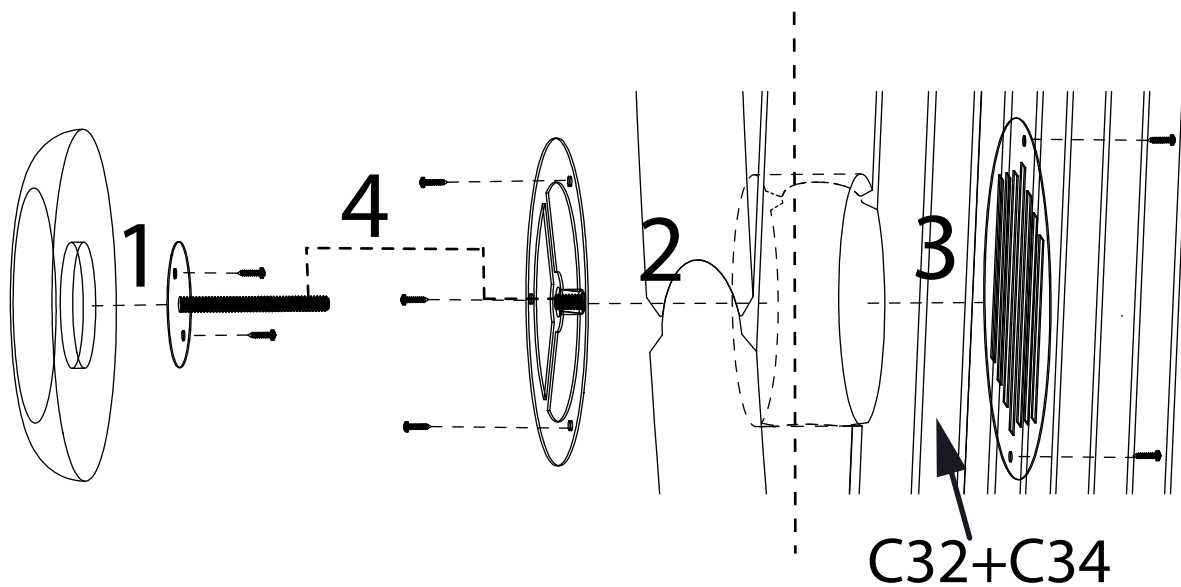
L60 - 4
K60 - 8
2012 - 8
732012 - 4



SET3

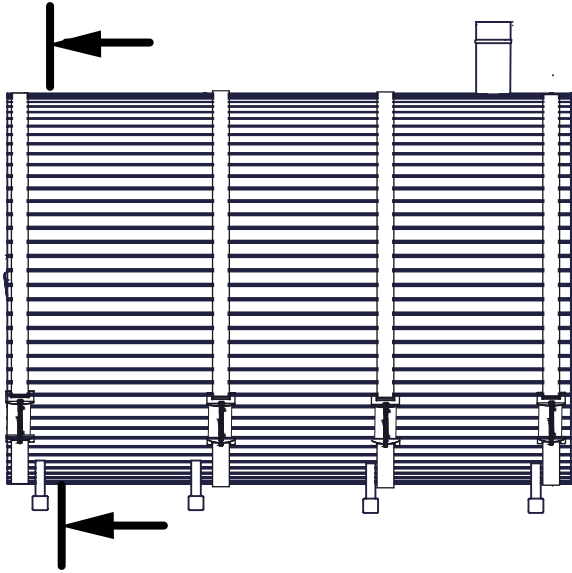
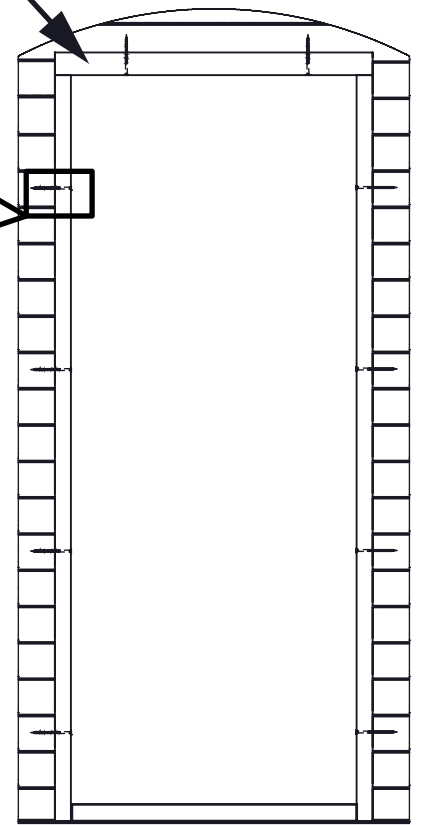
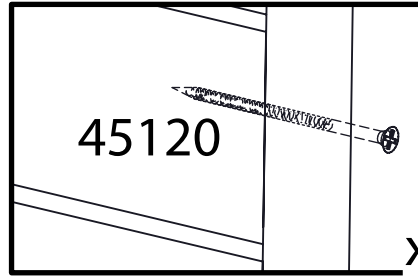
IN

OUT



DR1700 - 1
D1700 - 1
WS1820 - 2
W1720 - 2
W780 - 2
45120 - 10
4335 - 26

DR1700

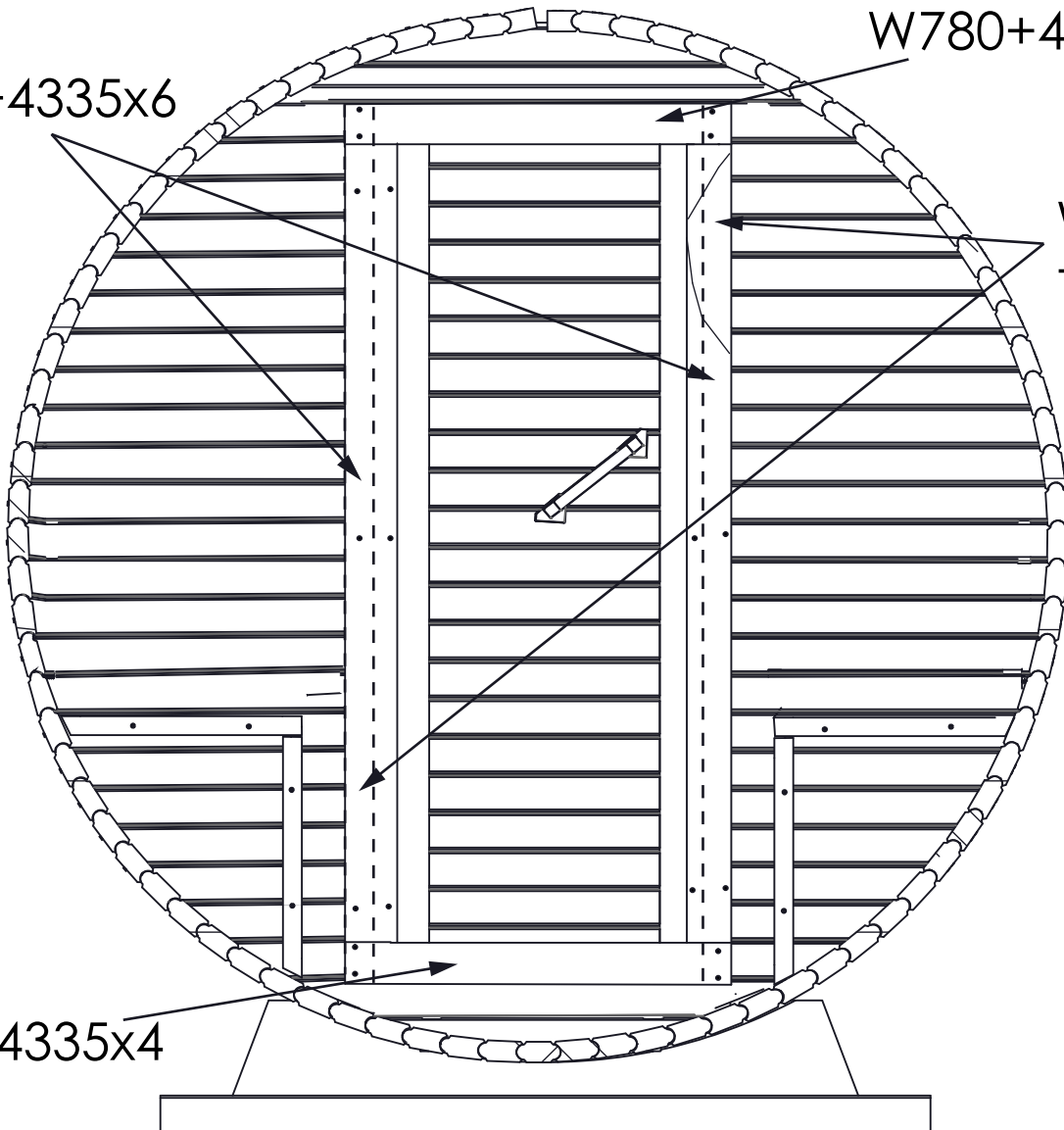


W1720+4335x6

W780+4335x4

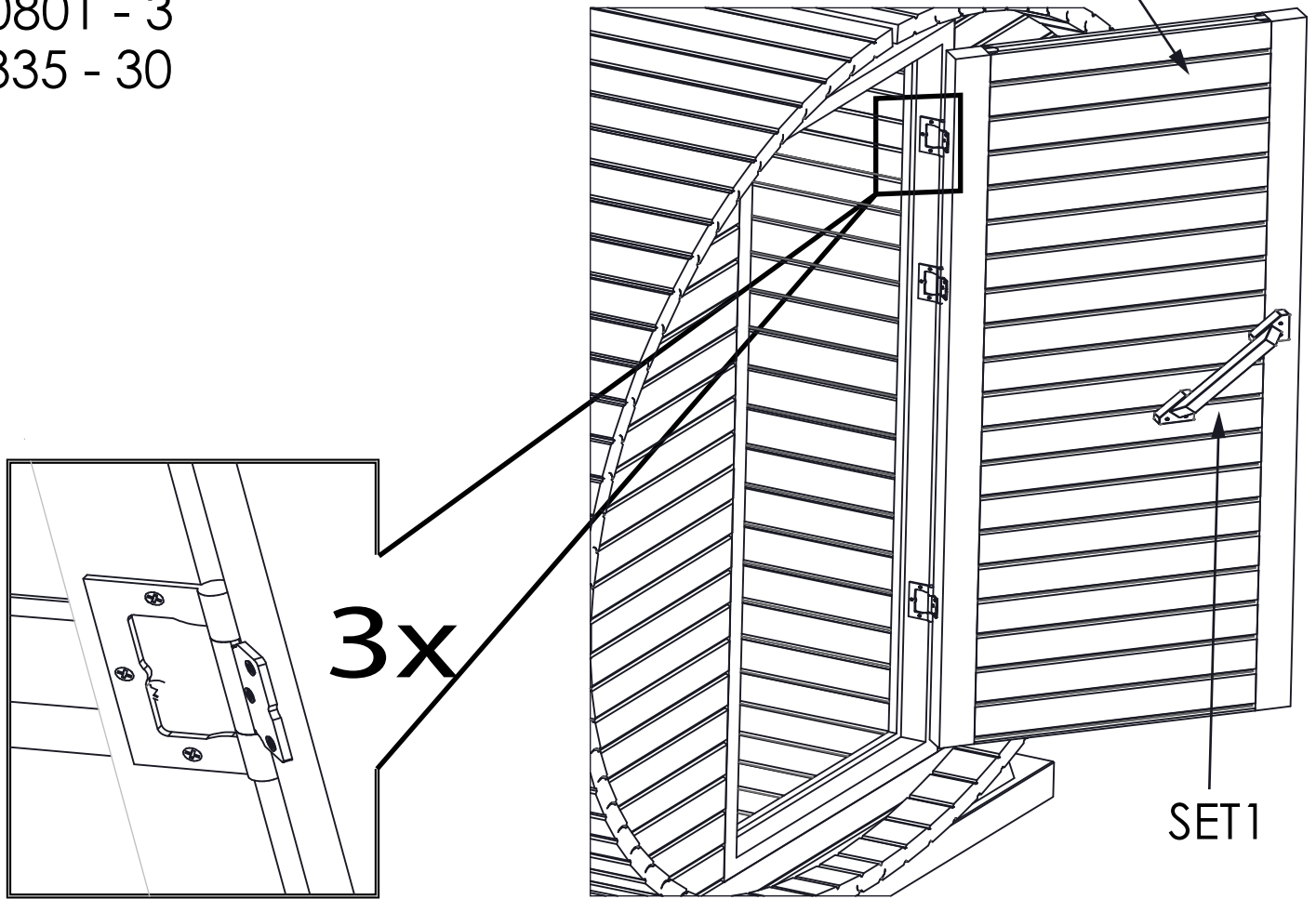
WS1820
+4335x3

W780+4335x4



D1700 - 1
SET1 - 1
80801 - 3
4335 - 30

D1700

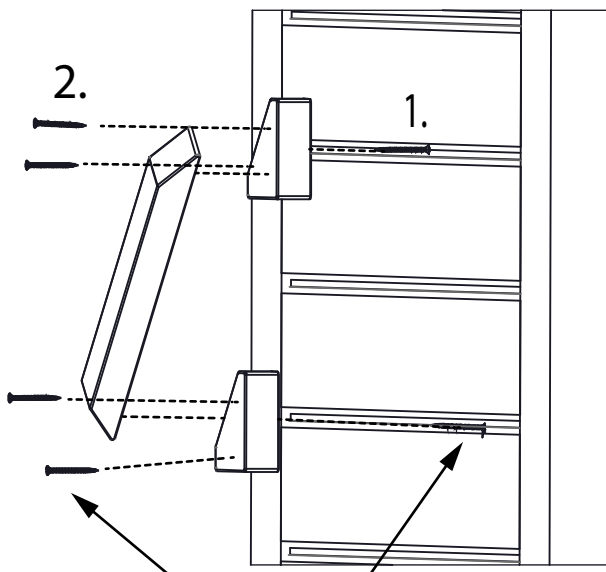


80801+6x4335

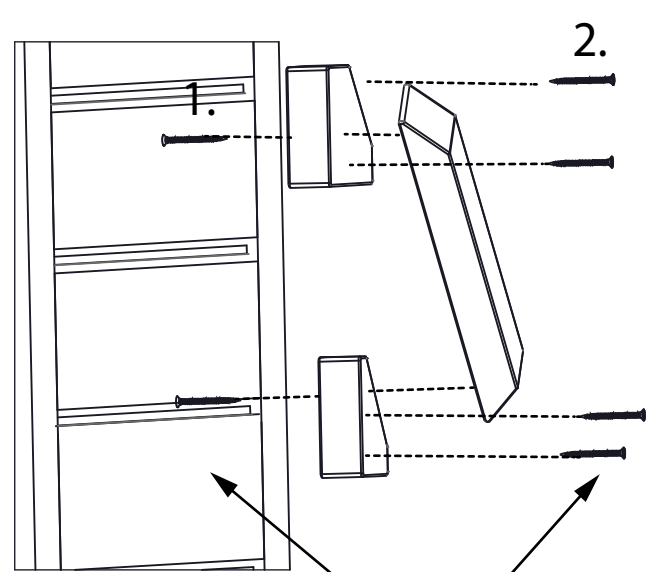
SET1

IN

OUT

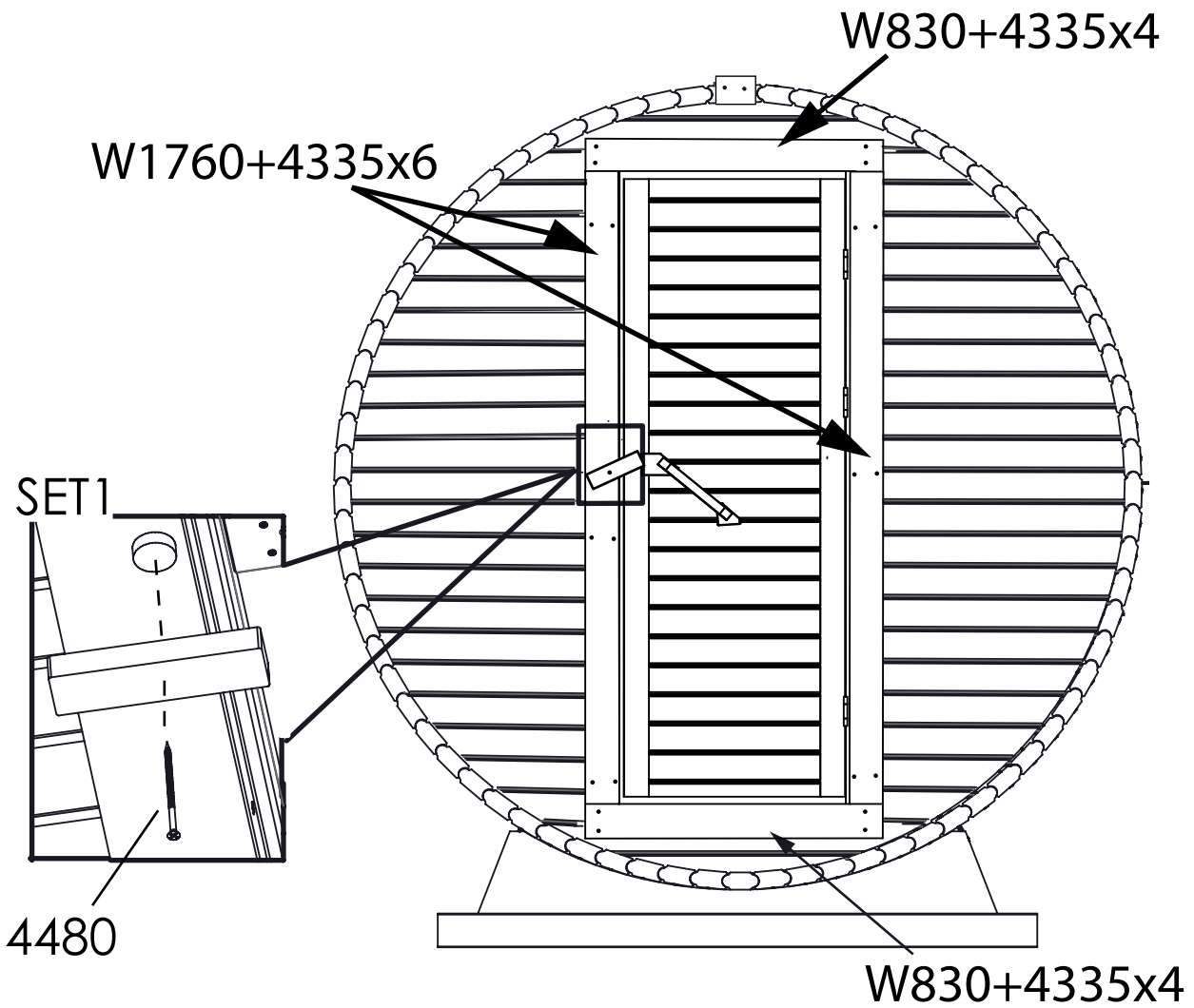


4335x6

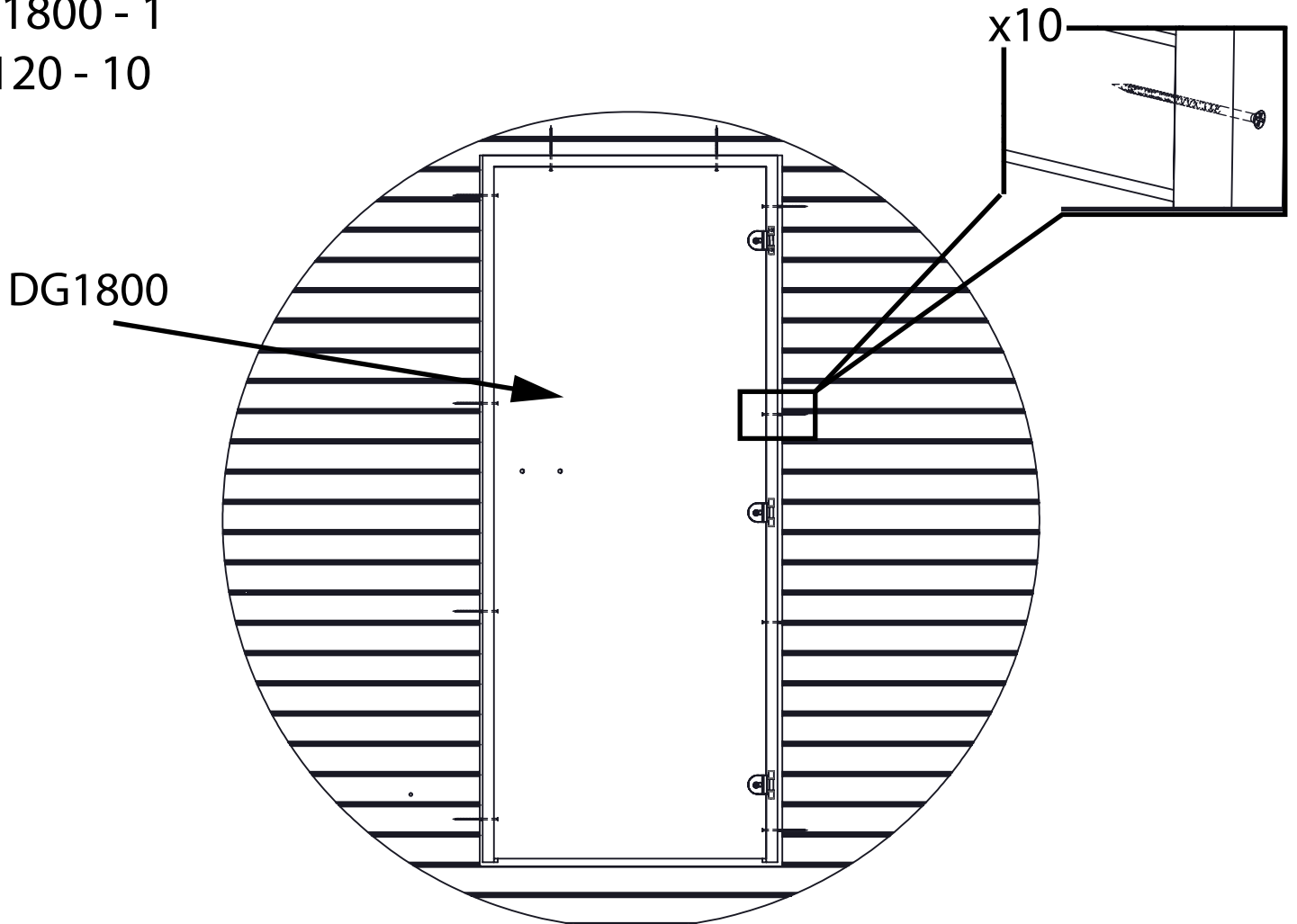


4335x6

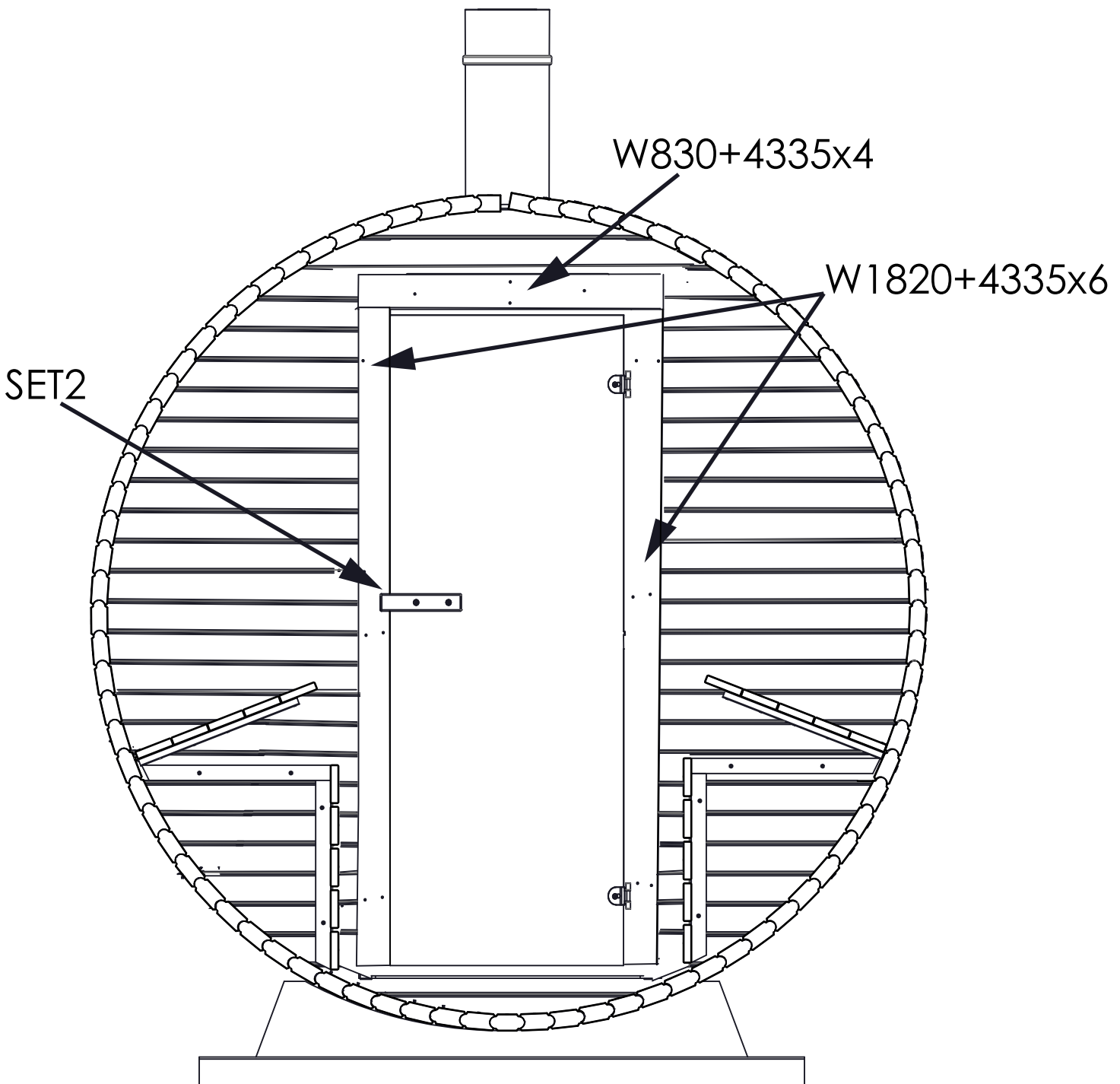
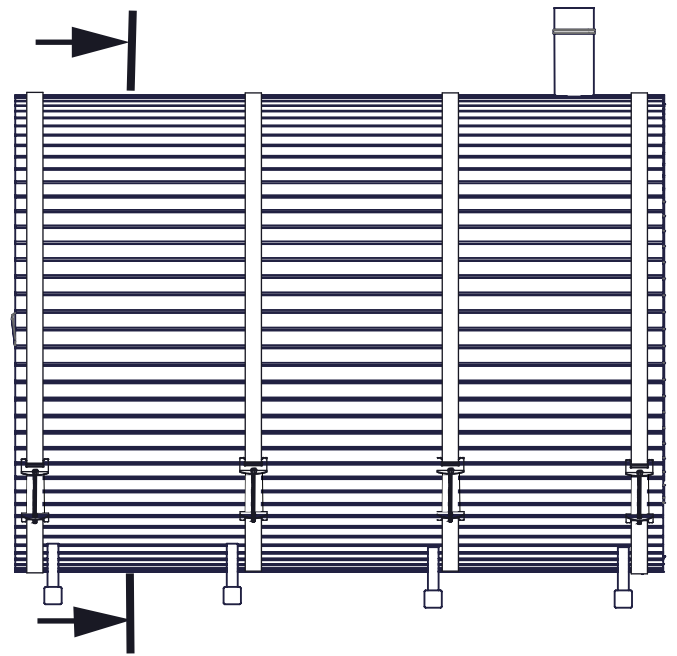
W1760 - 2
W830 - 2
4480 - 1
4335 - 20



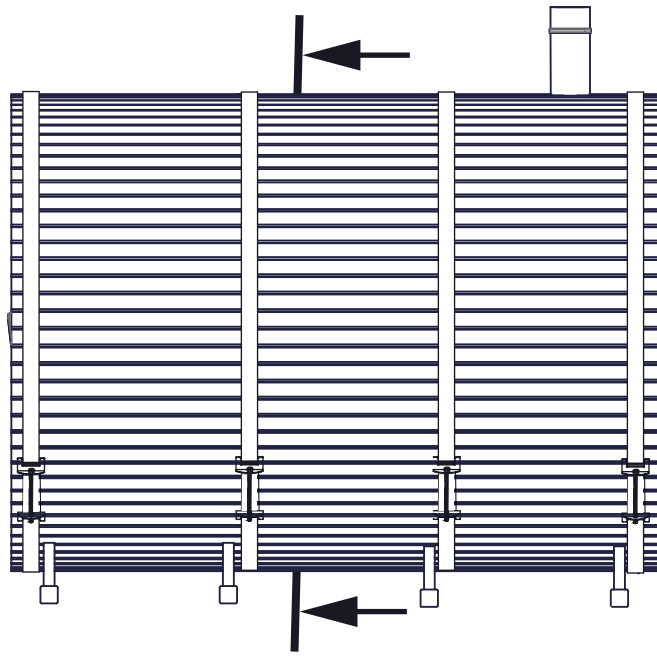
DG1800 - 1
45120 - 10



W1820 - 2
W830 - 1
4335- 16



W1820 - 2
W800 - 1
WS1820 - 2
SET2 - 1
4335 - 22

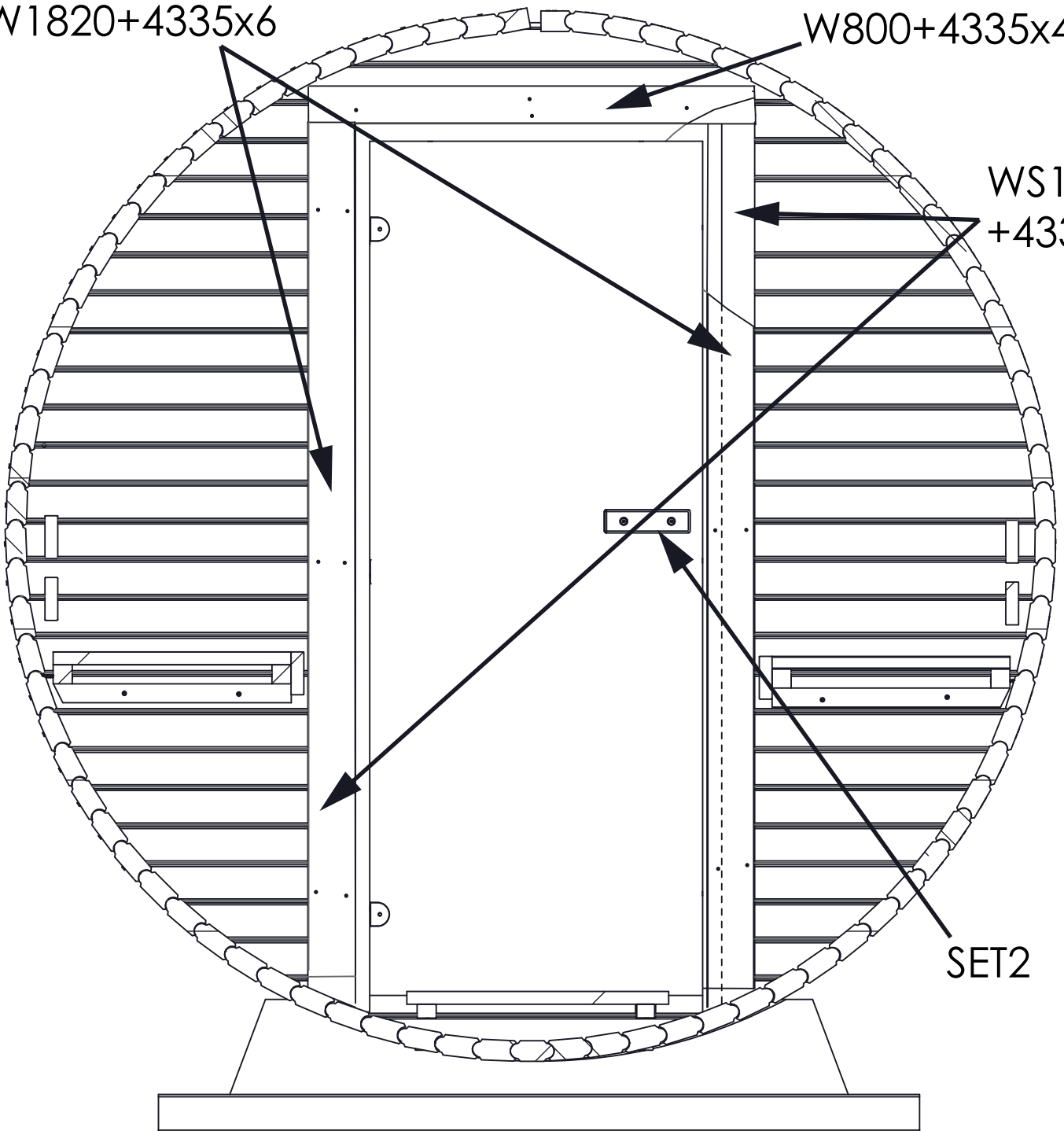


W1820+4335x6

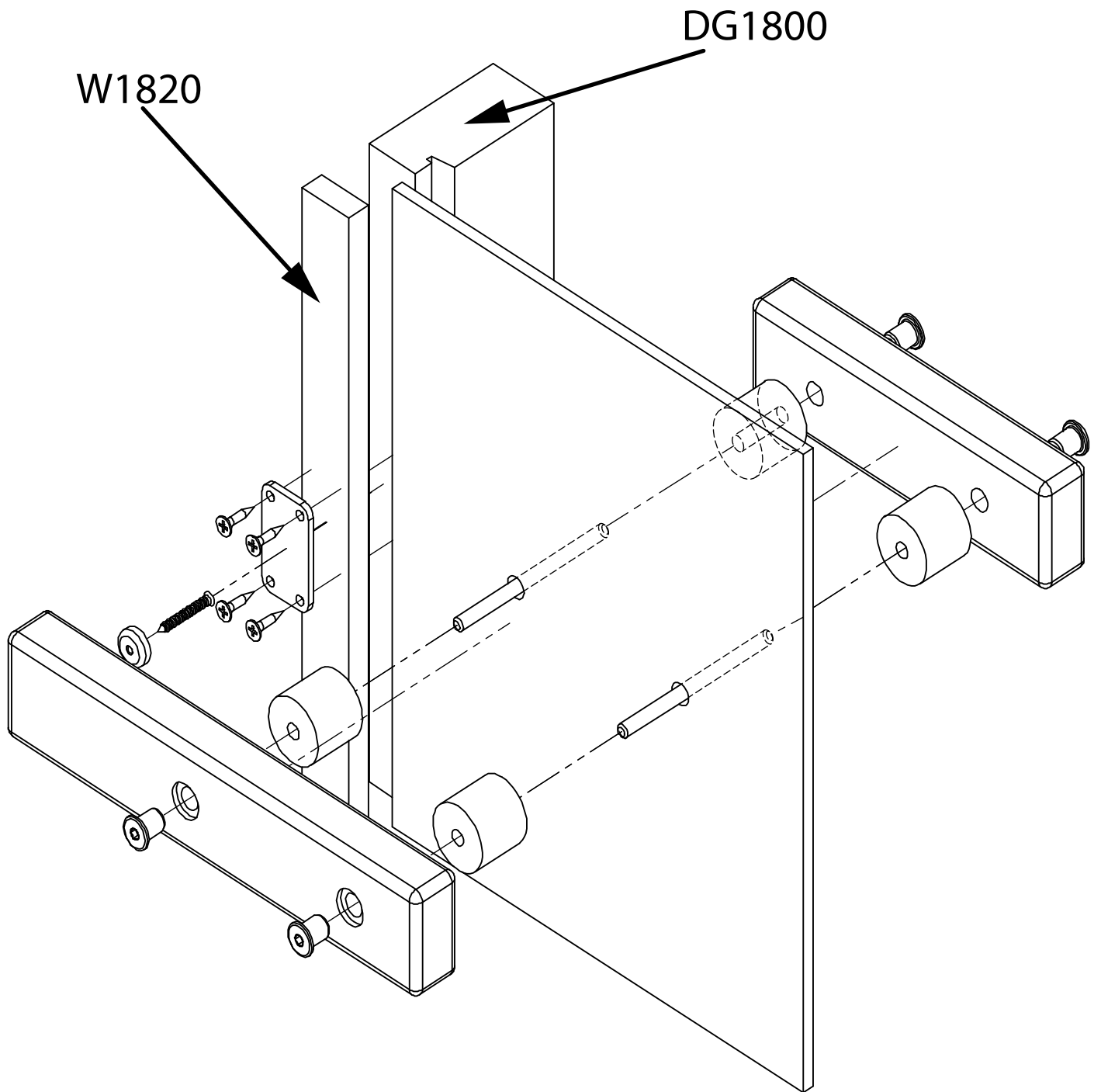
W800+4335x4

WS1820
+4335x3

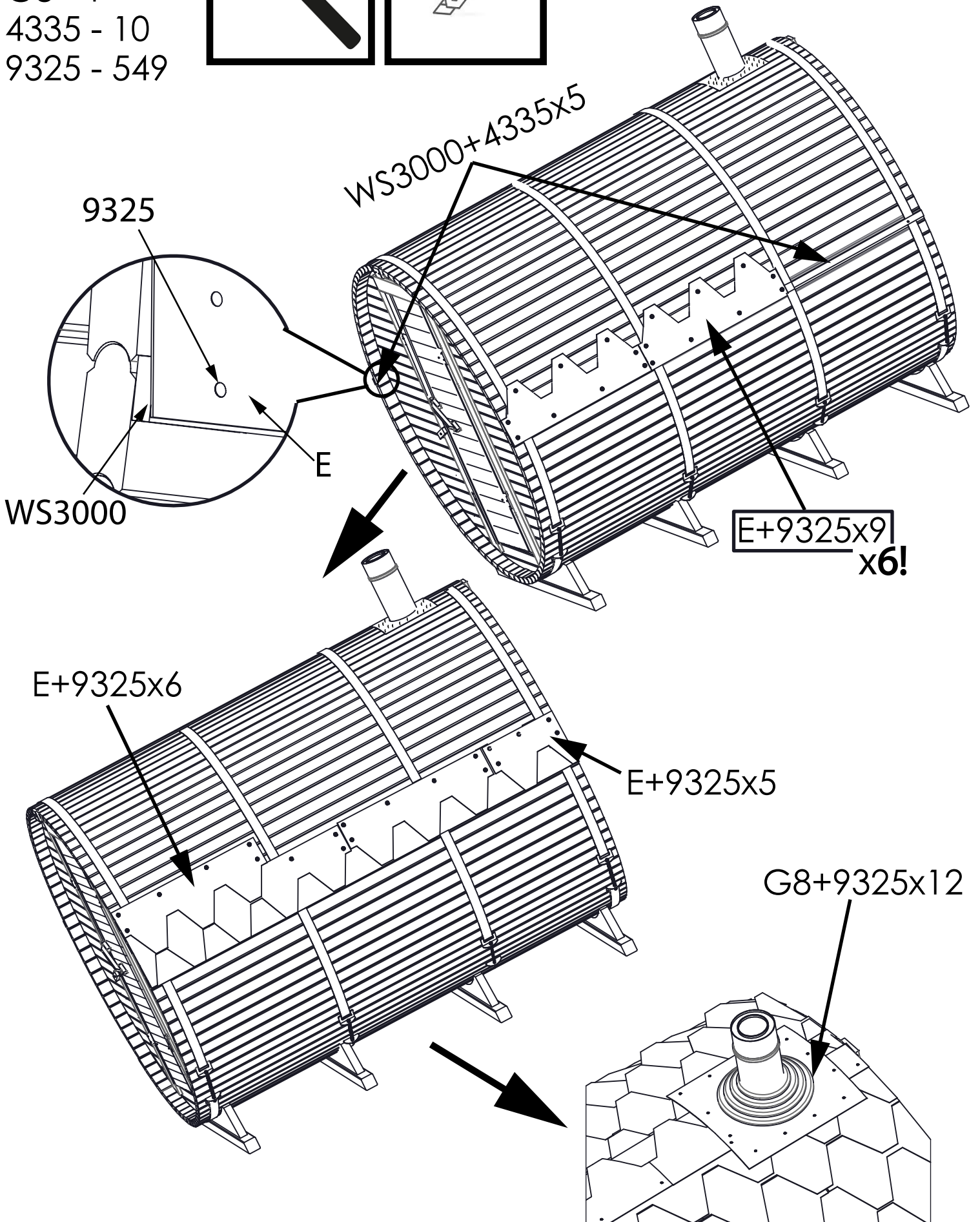
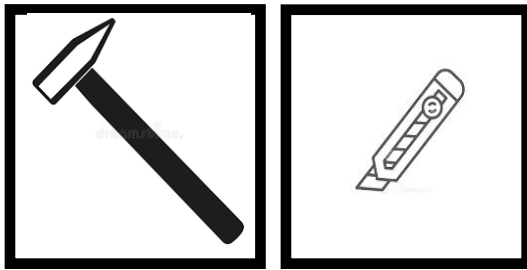
SET2



SET2



WS3000 - 2
E - 81
G8 - 1
4335 - 10
9325 - 549



G9 - 1
G13

