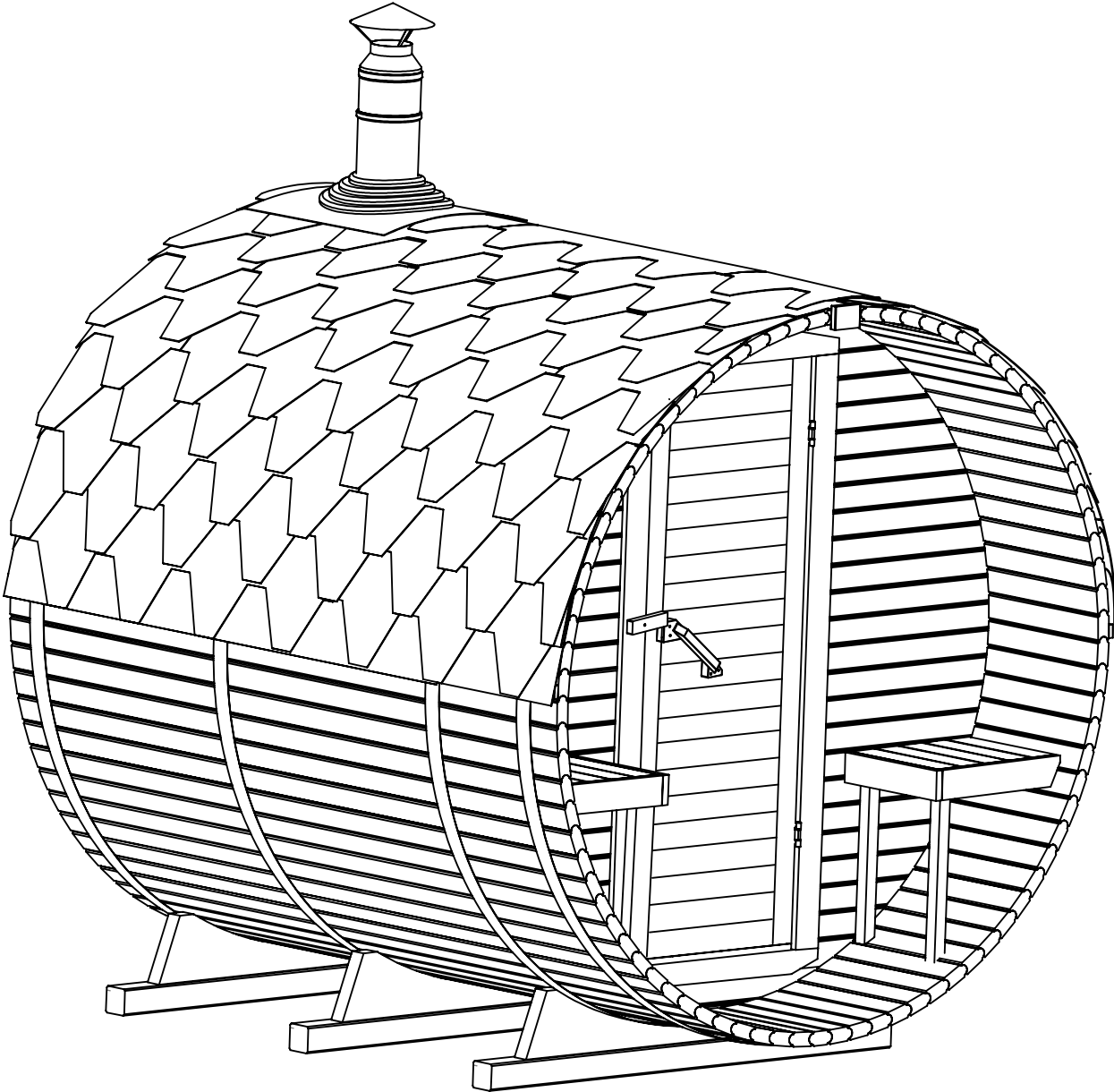
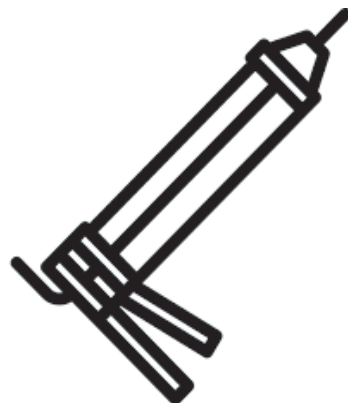
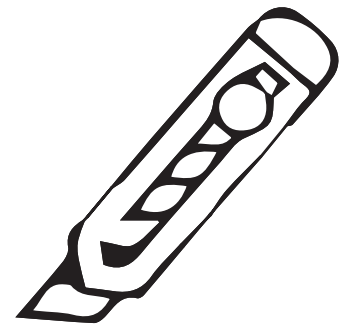
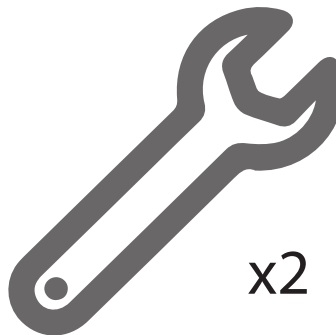
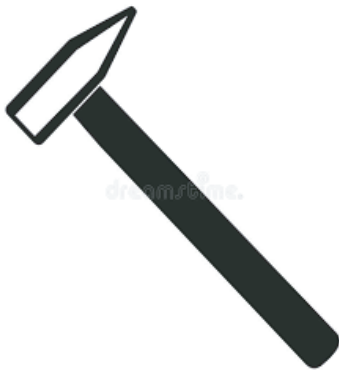
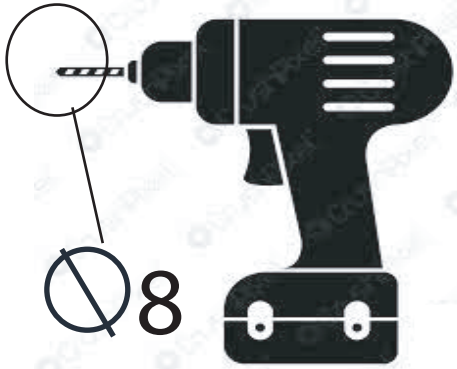
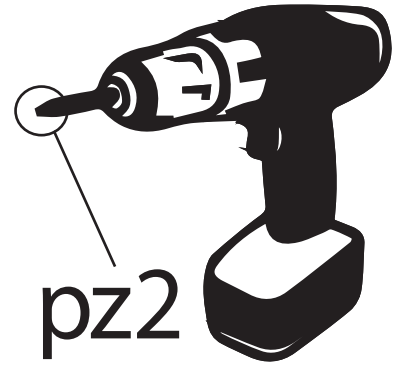
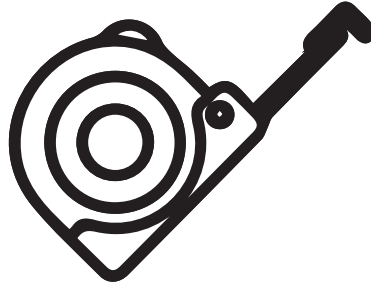
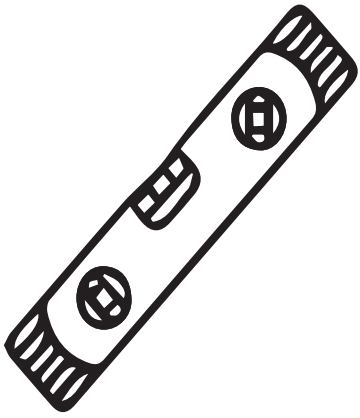
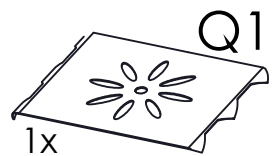
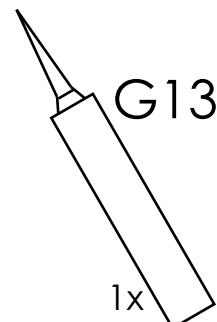
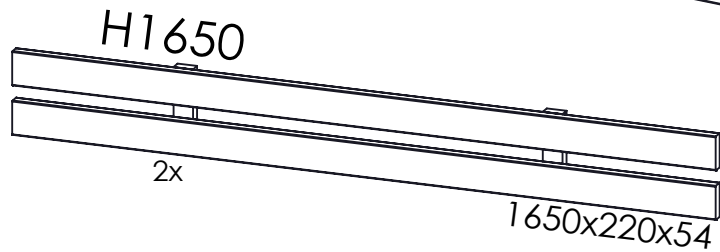
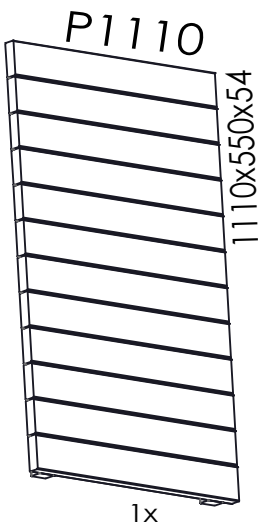
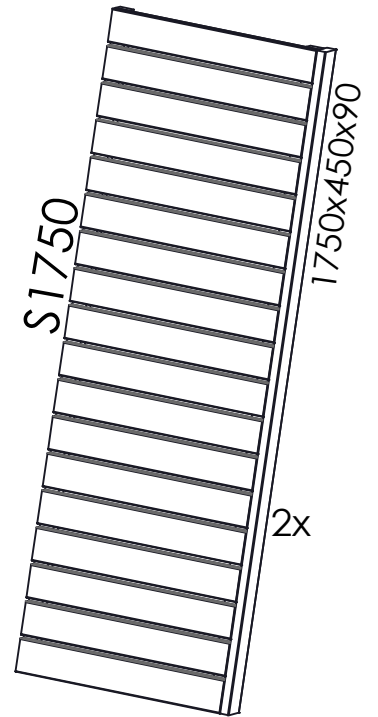
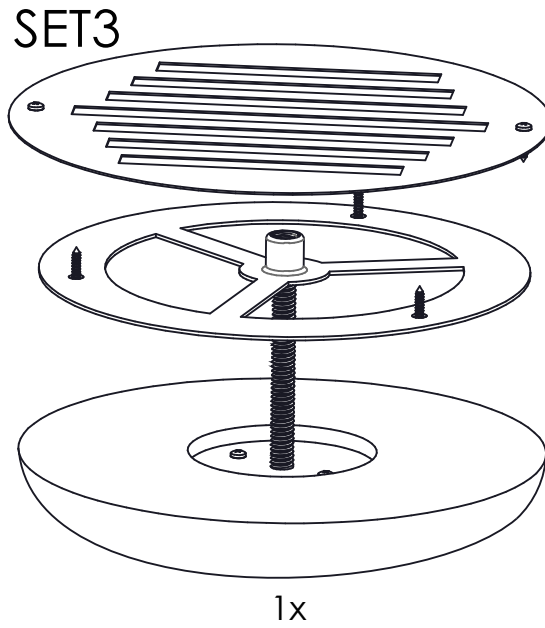
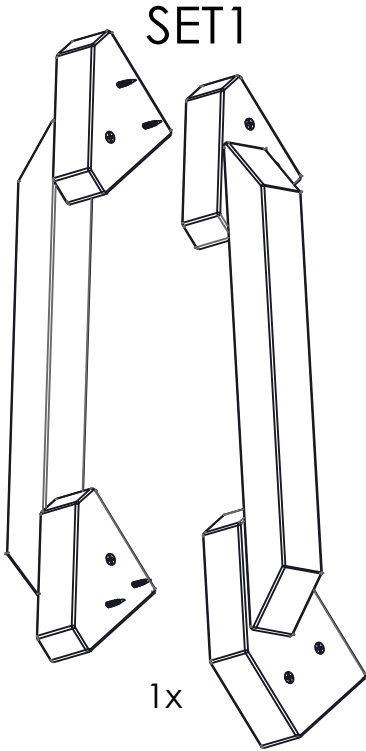
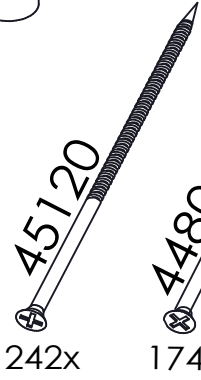
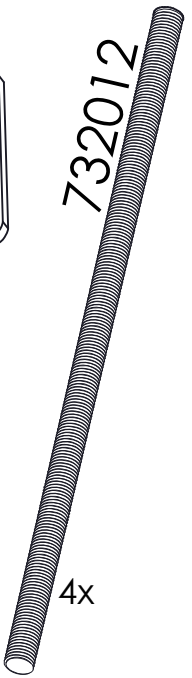
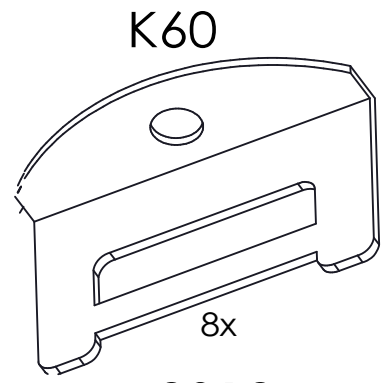
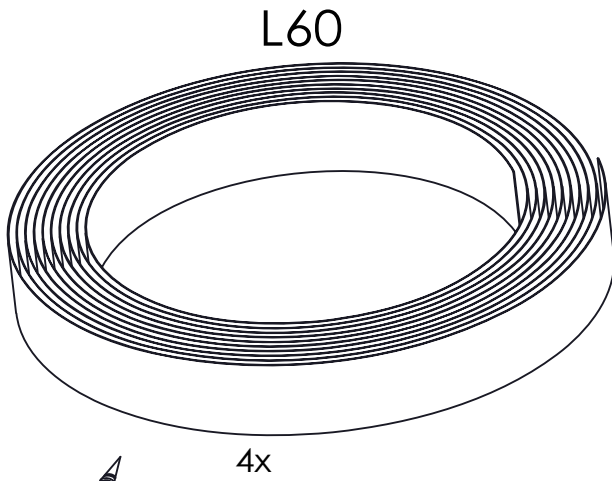
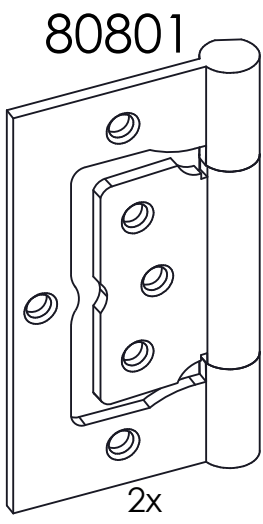


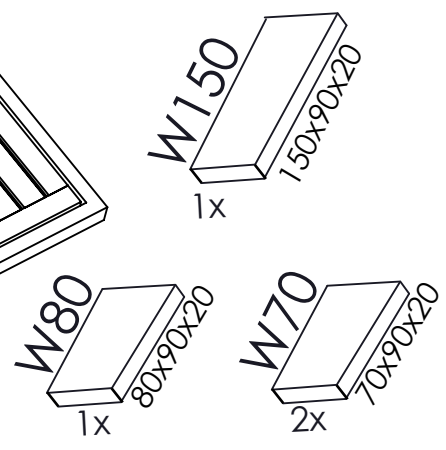
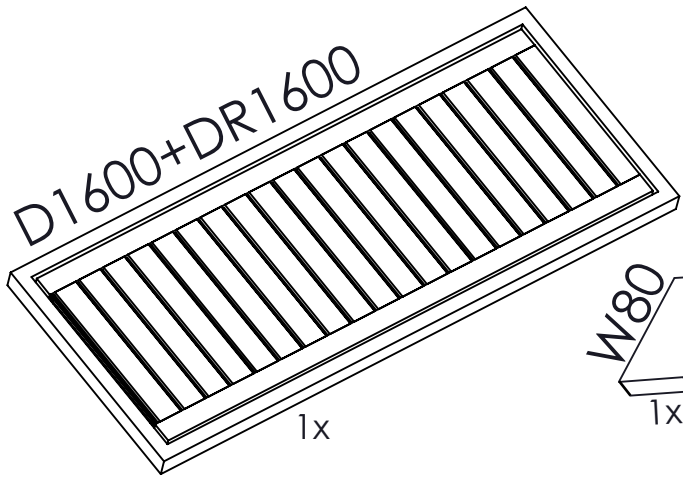
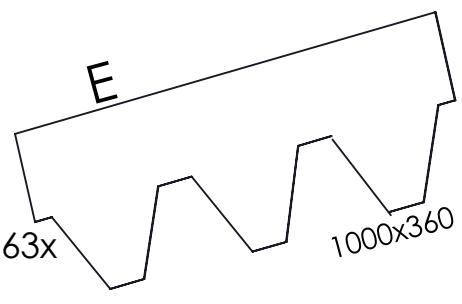
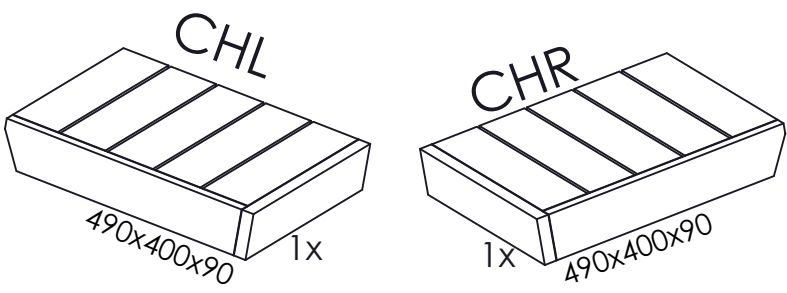
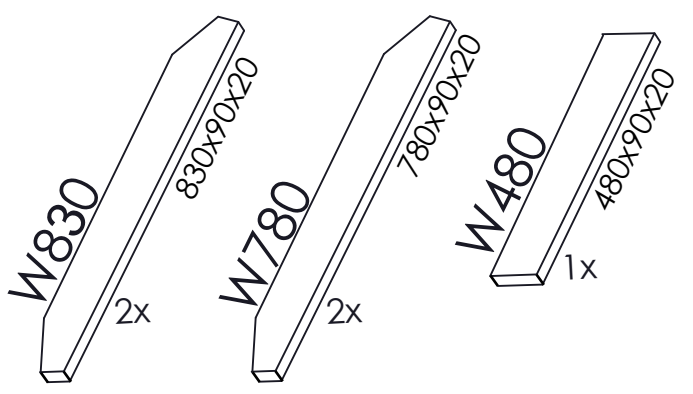
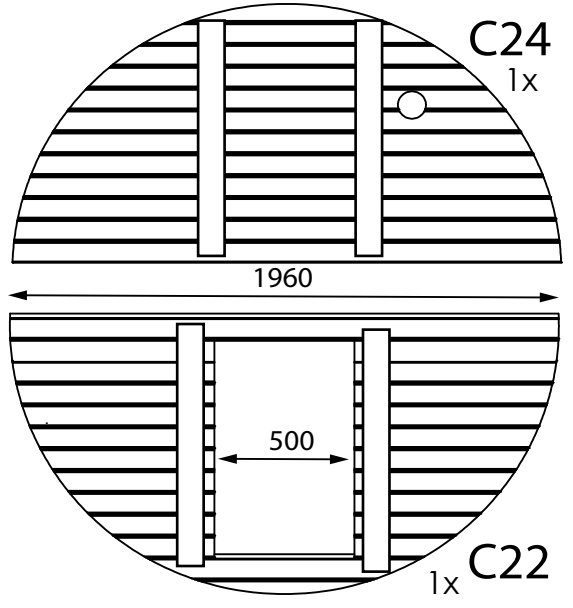
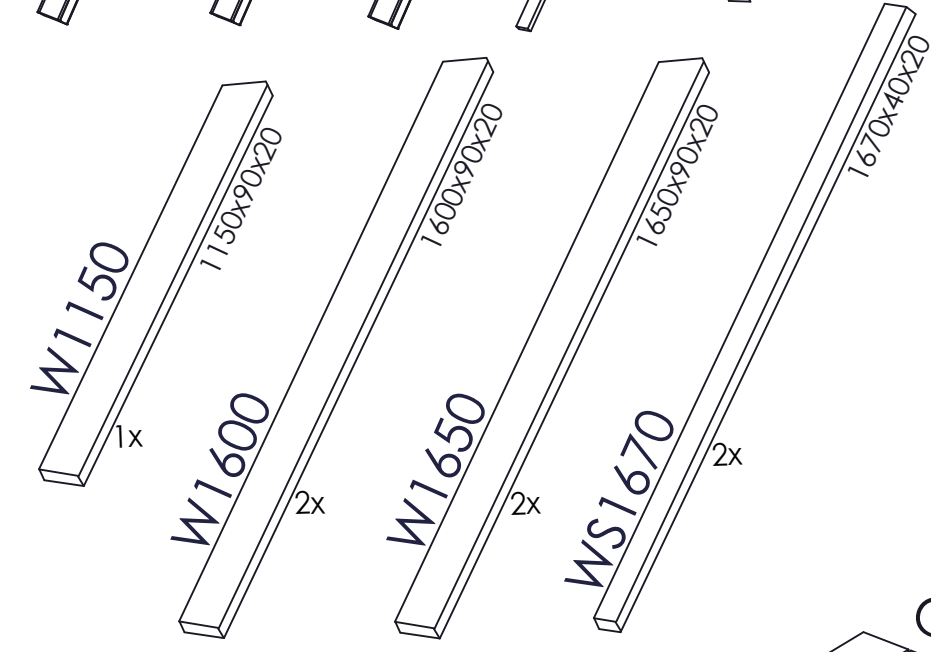
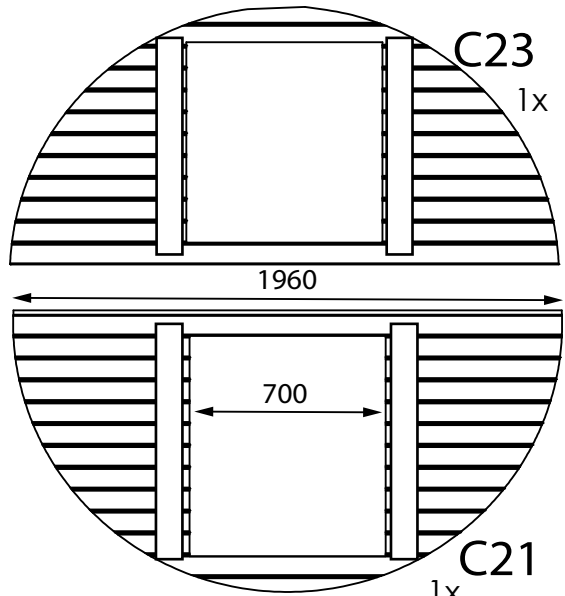
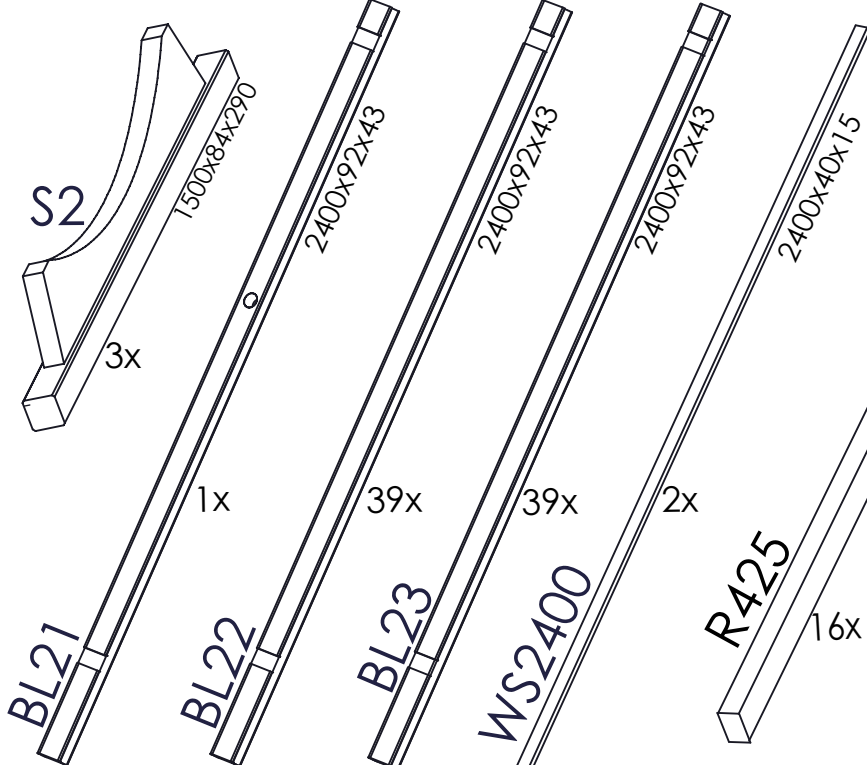
WOODDEN BARREL SAUNA COMFORTPROM 2m WITH PORCH

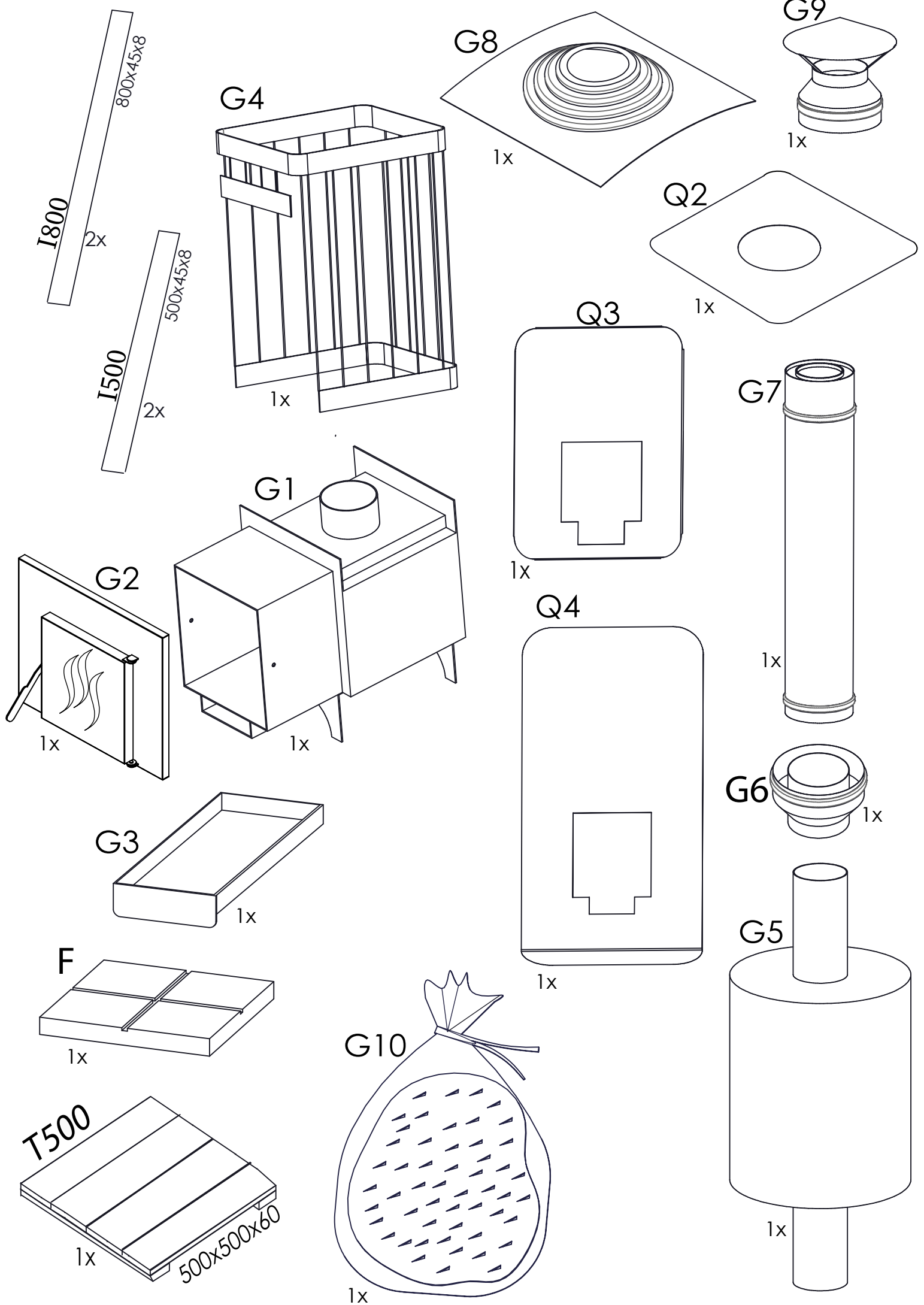


necessary tools

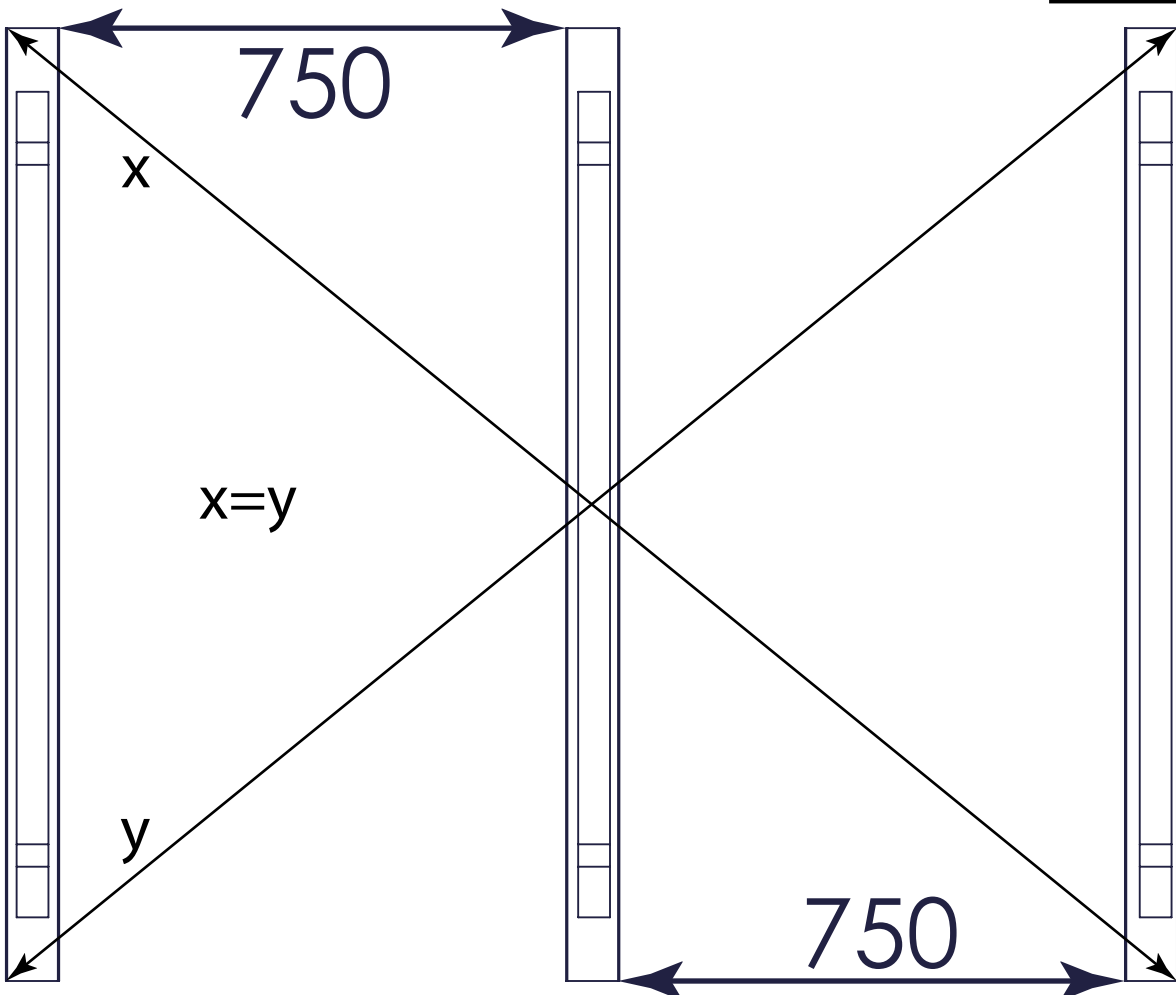
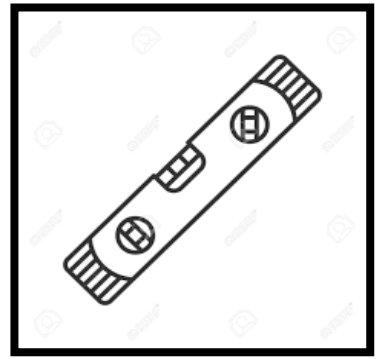
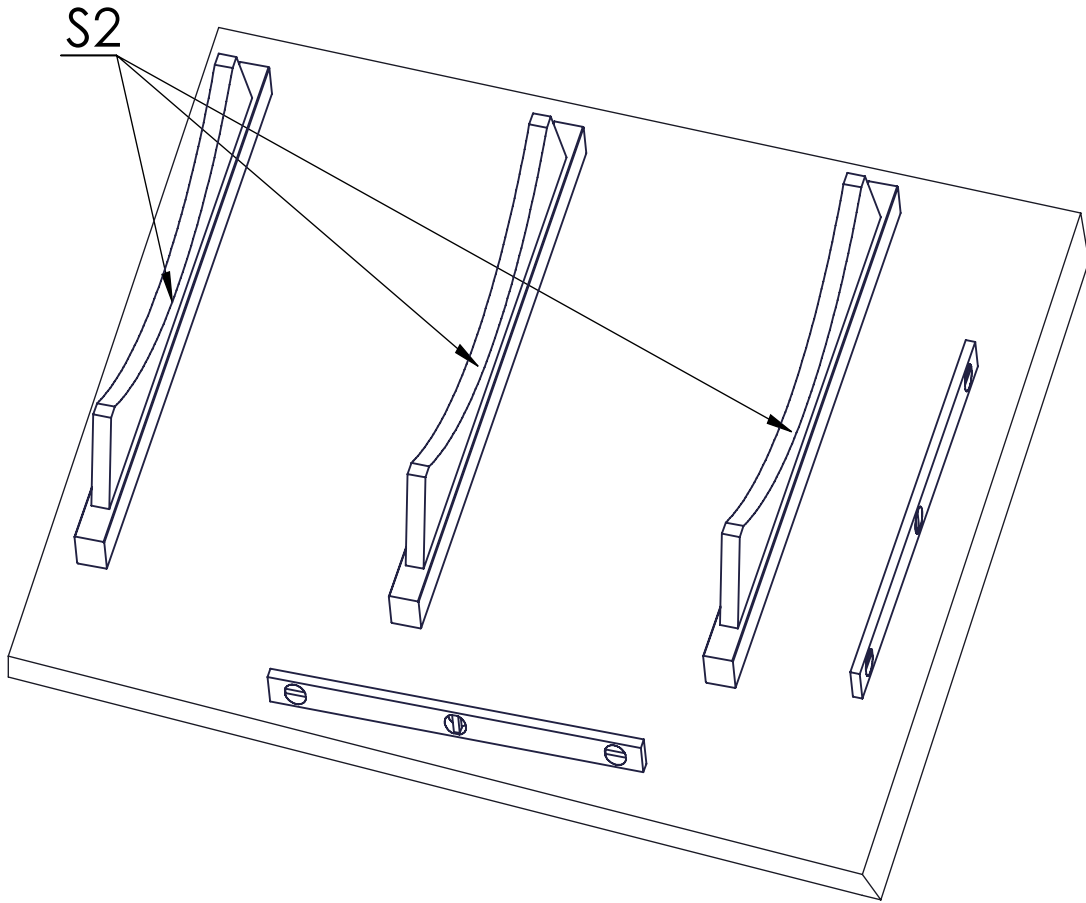




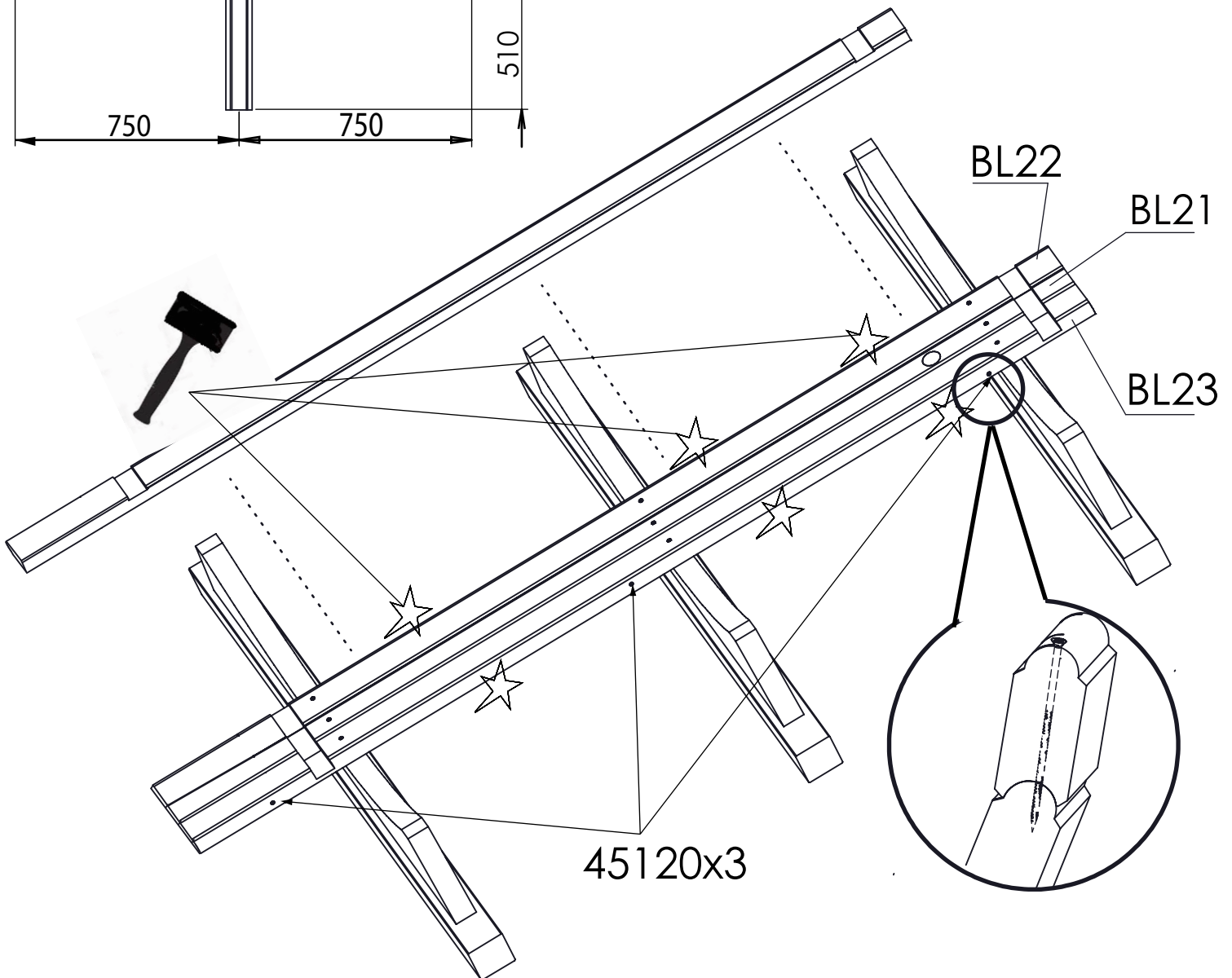
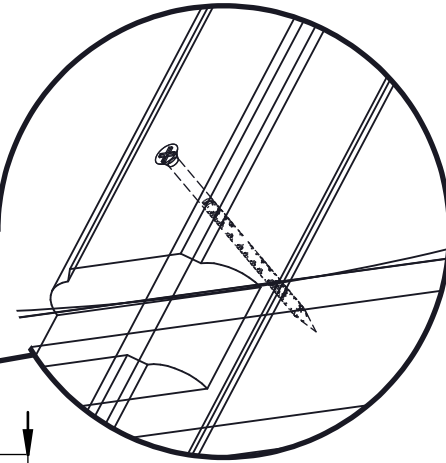
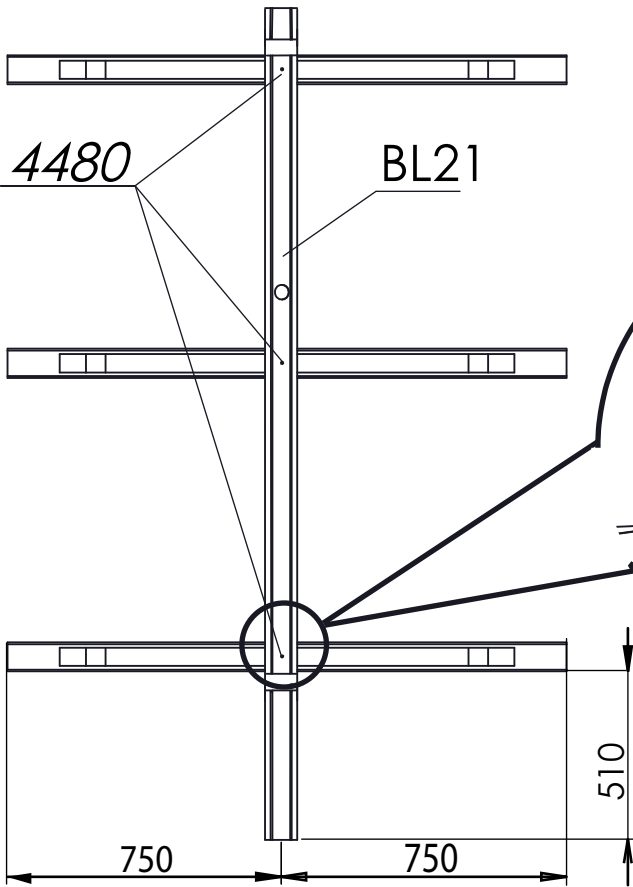
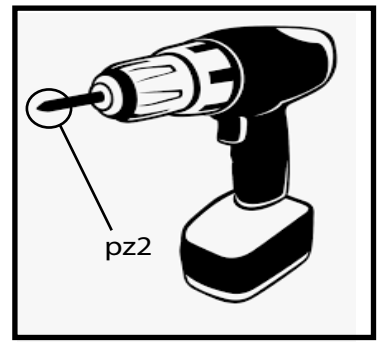


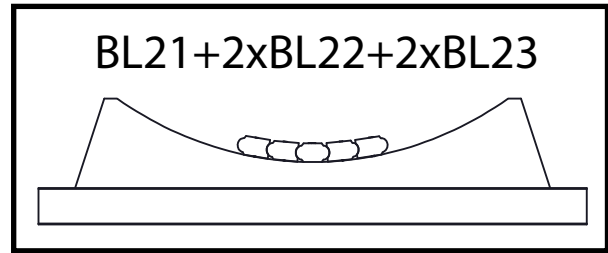
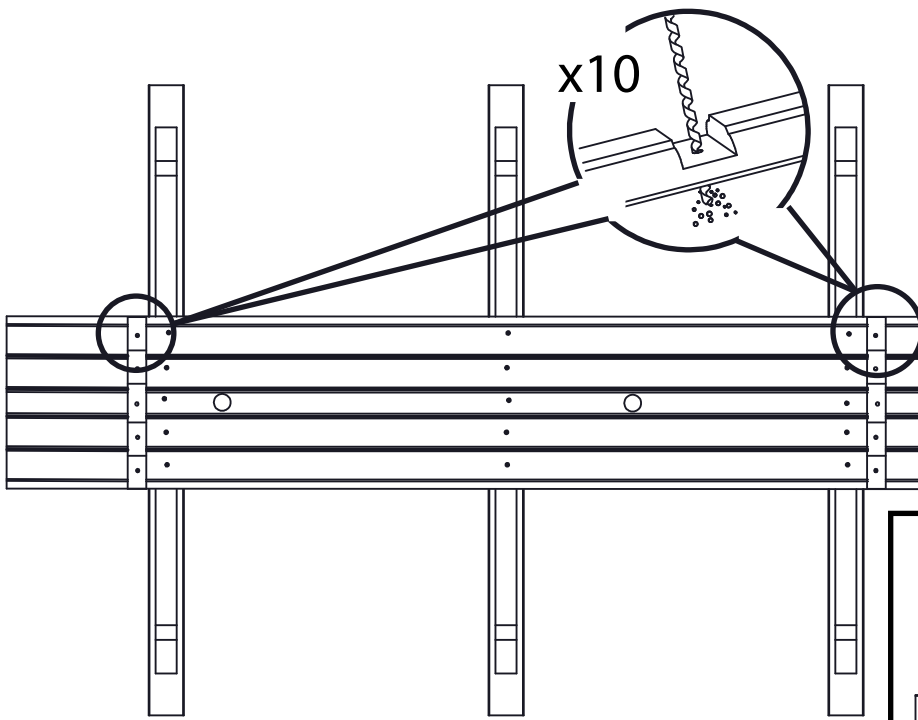


S2 - 3
G12

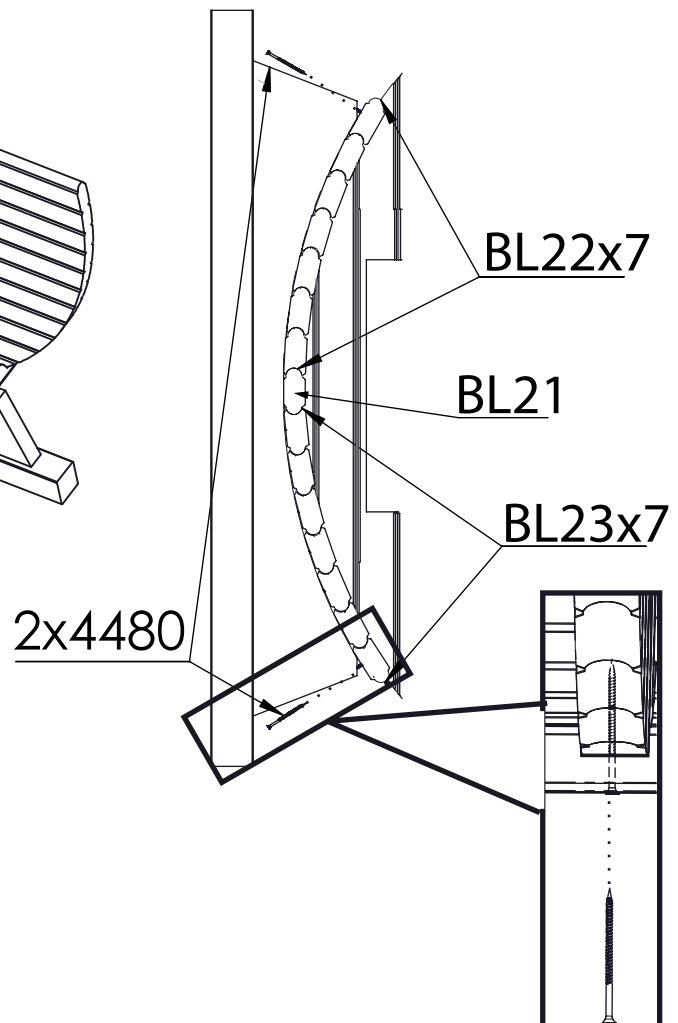
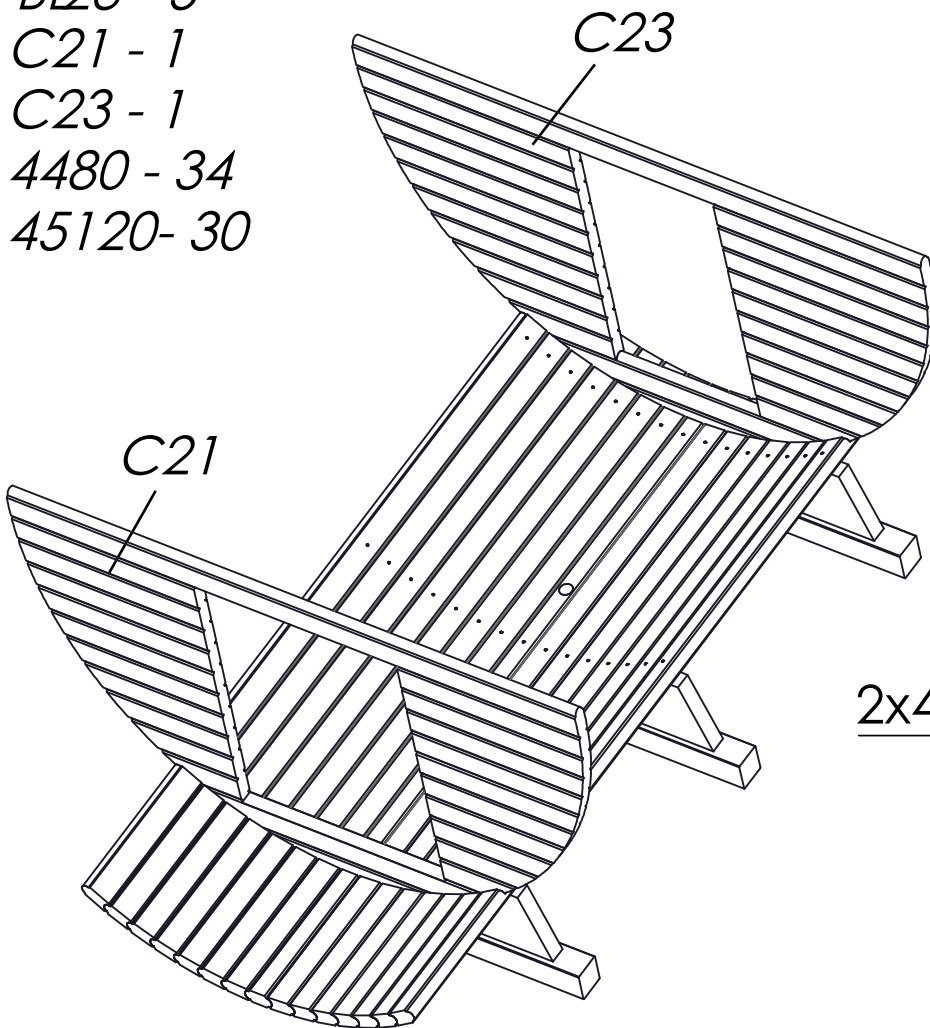


BL21 - 1 | 4480 - 15
BL22 - 2 | 45120 - 12
BL23 - 2 | G12 - *only out side!*

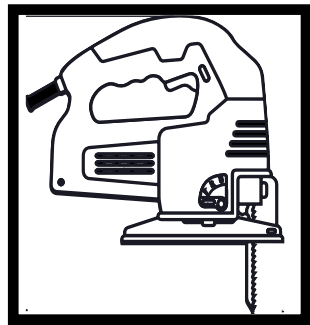
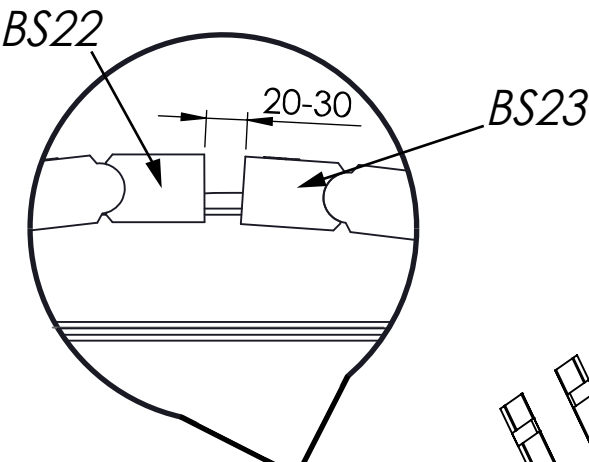
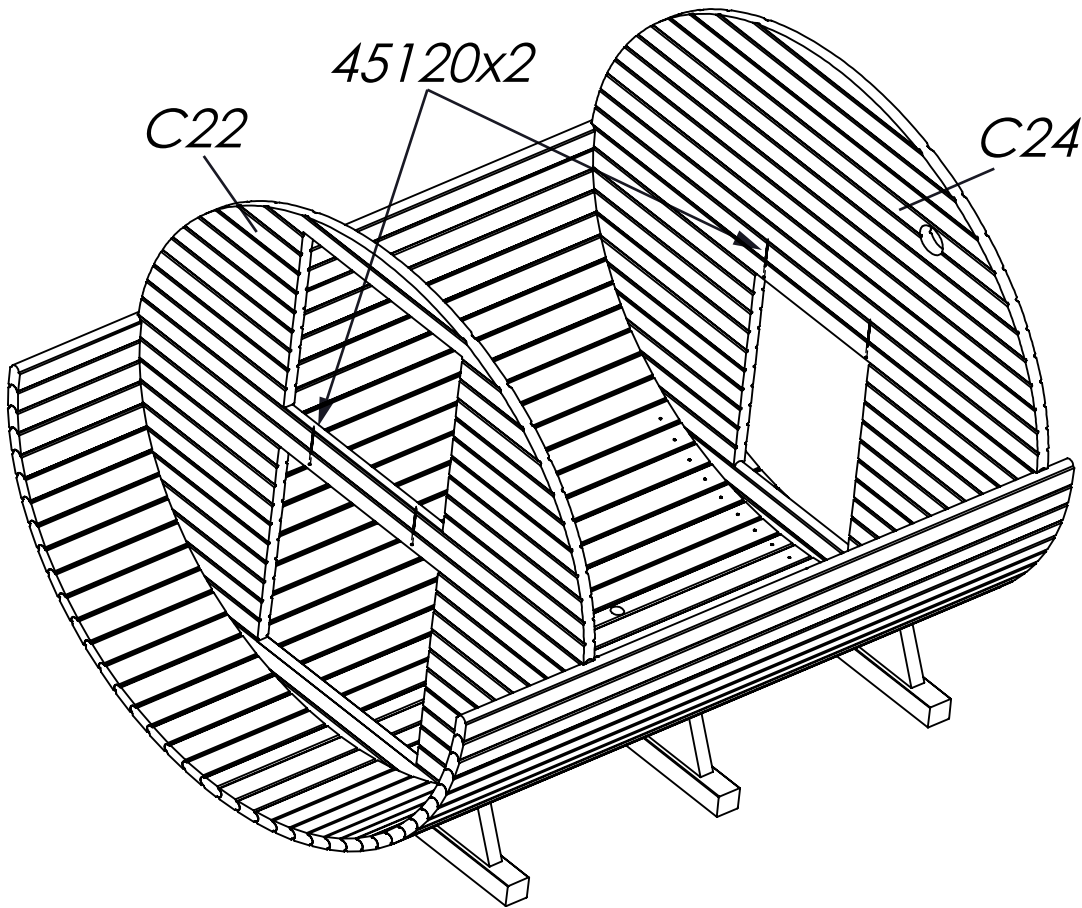




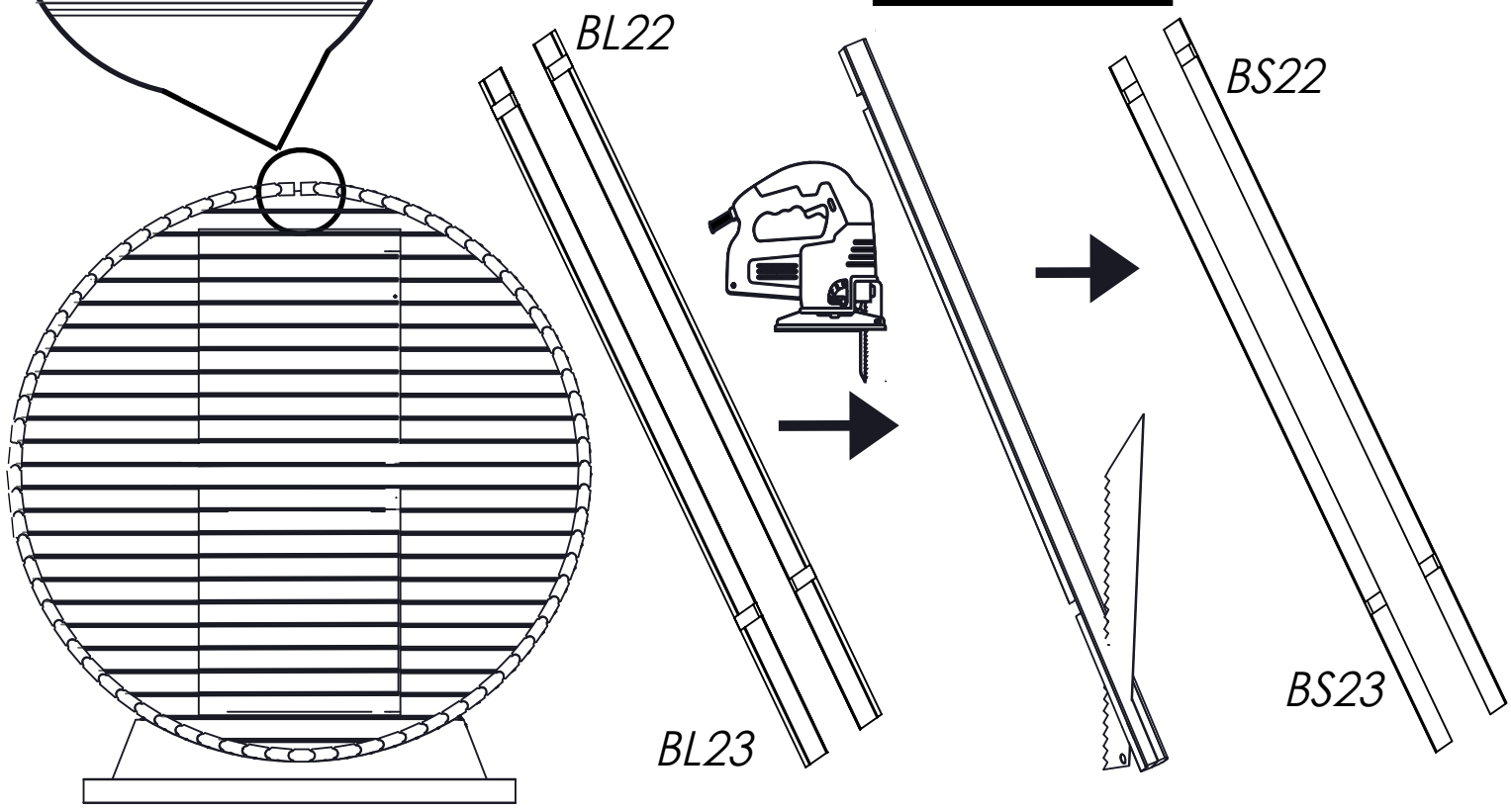
- BL22 - 5
- BL23 - 5
- C21 - 1
- C23 - 1
- 4480 - 34
- 45120 - 30

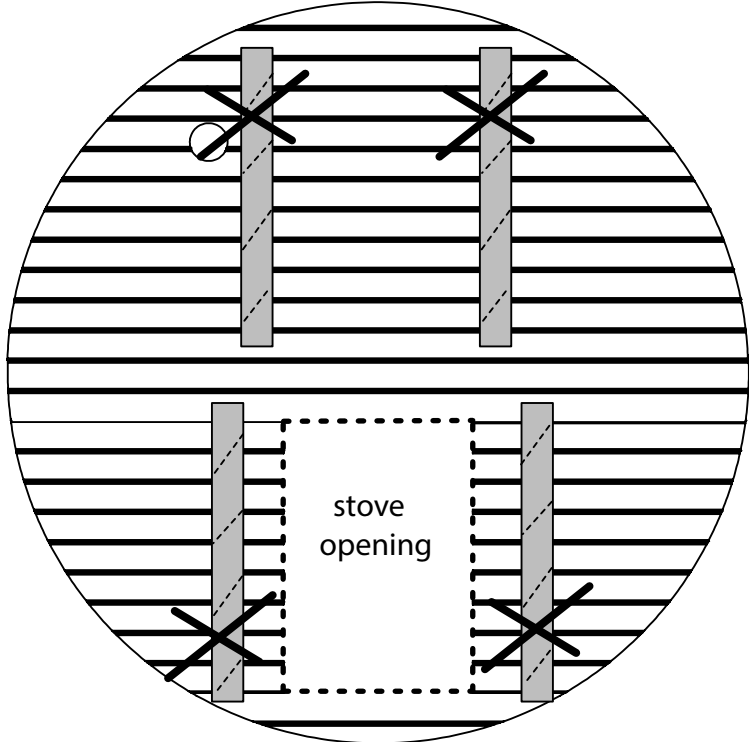
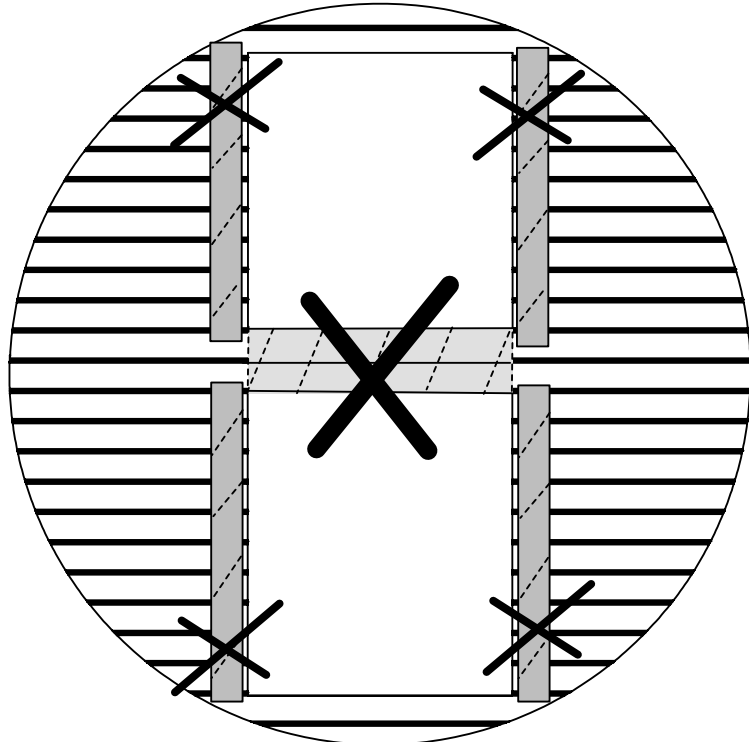
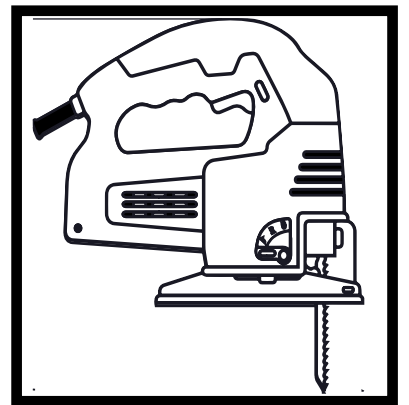
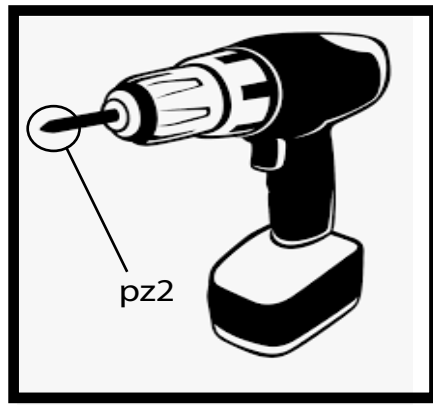


- C22- 1
- C24- 1
- BL22 - 12
- BL23 - 12
- 4480 - 48
- 45120 - 76

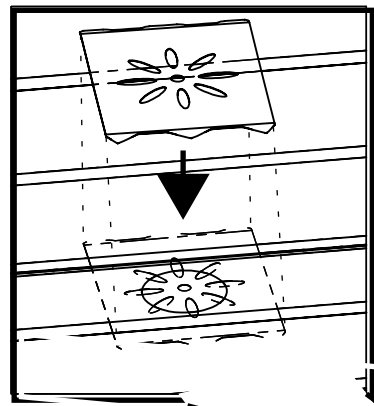


- BL22 - 19
- BL23 - 19
- 4480 - 76
- 45120 - 114

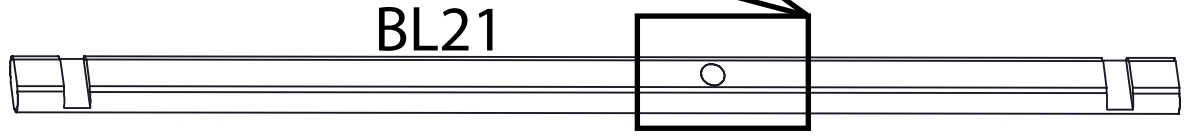




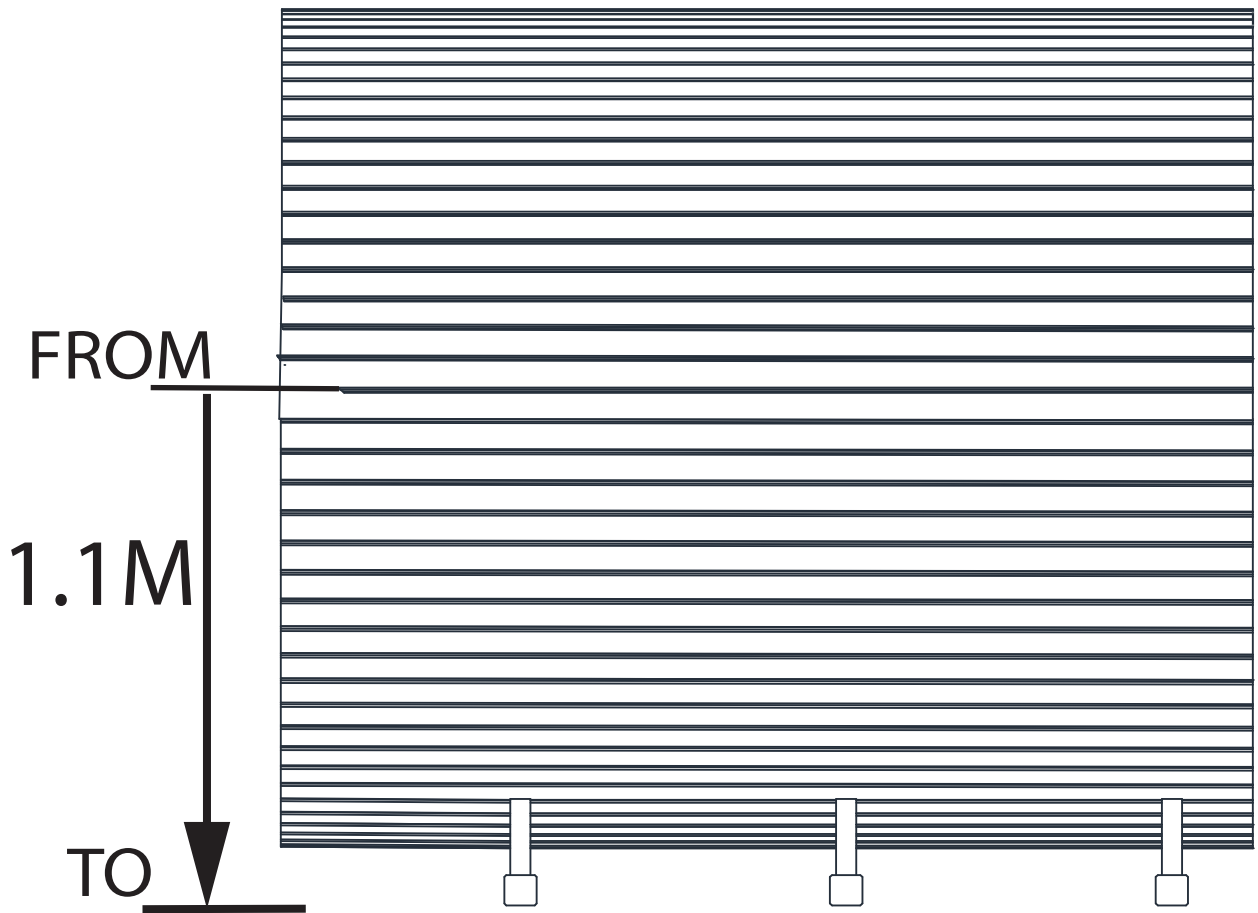
Q1 - 1



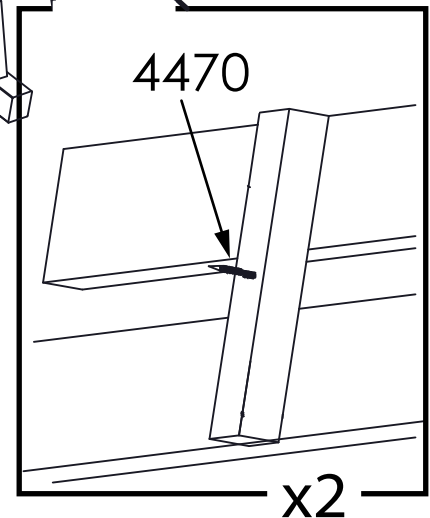
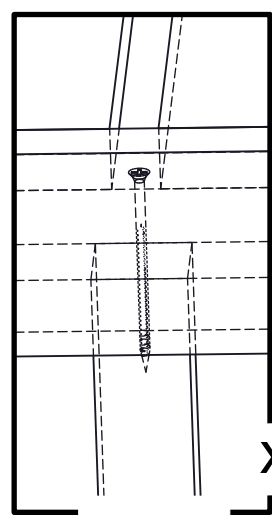
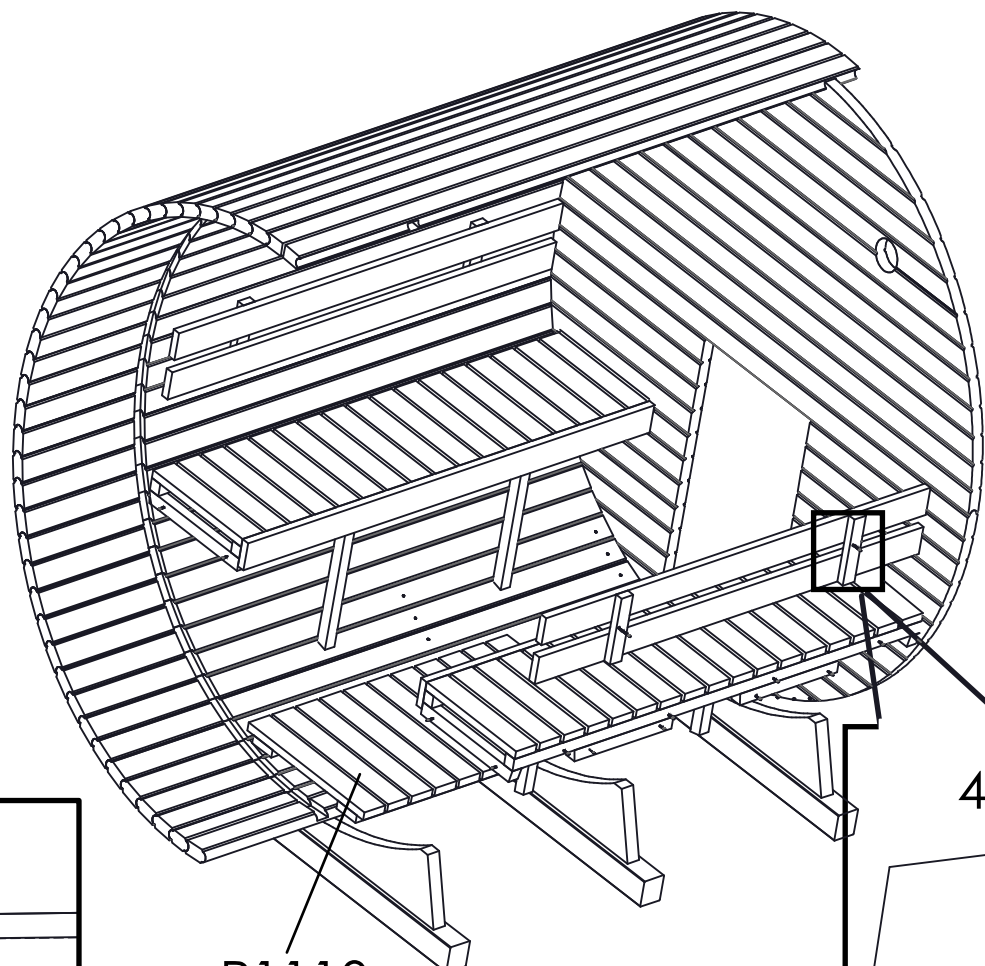
BL21



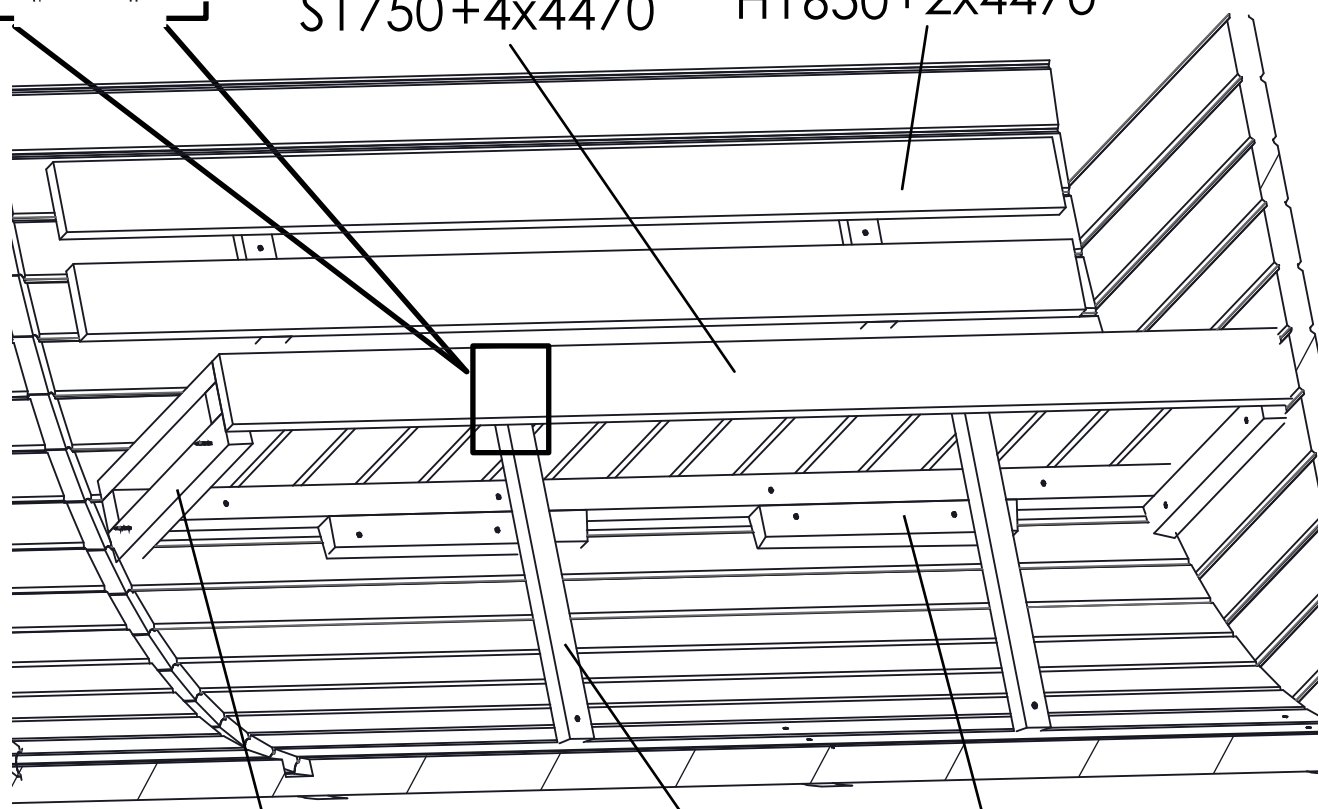
G12 - only out side!



- P1110 - 1
- H1650 - 2
- S1750 - 2
- R425 - 12
- 4470 - 36

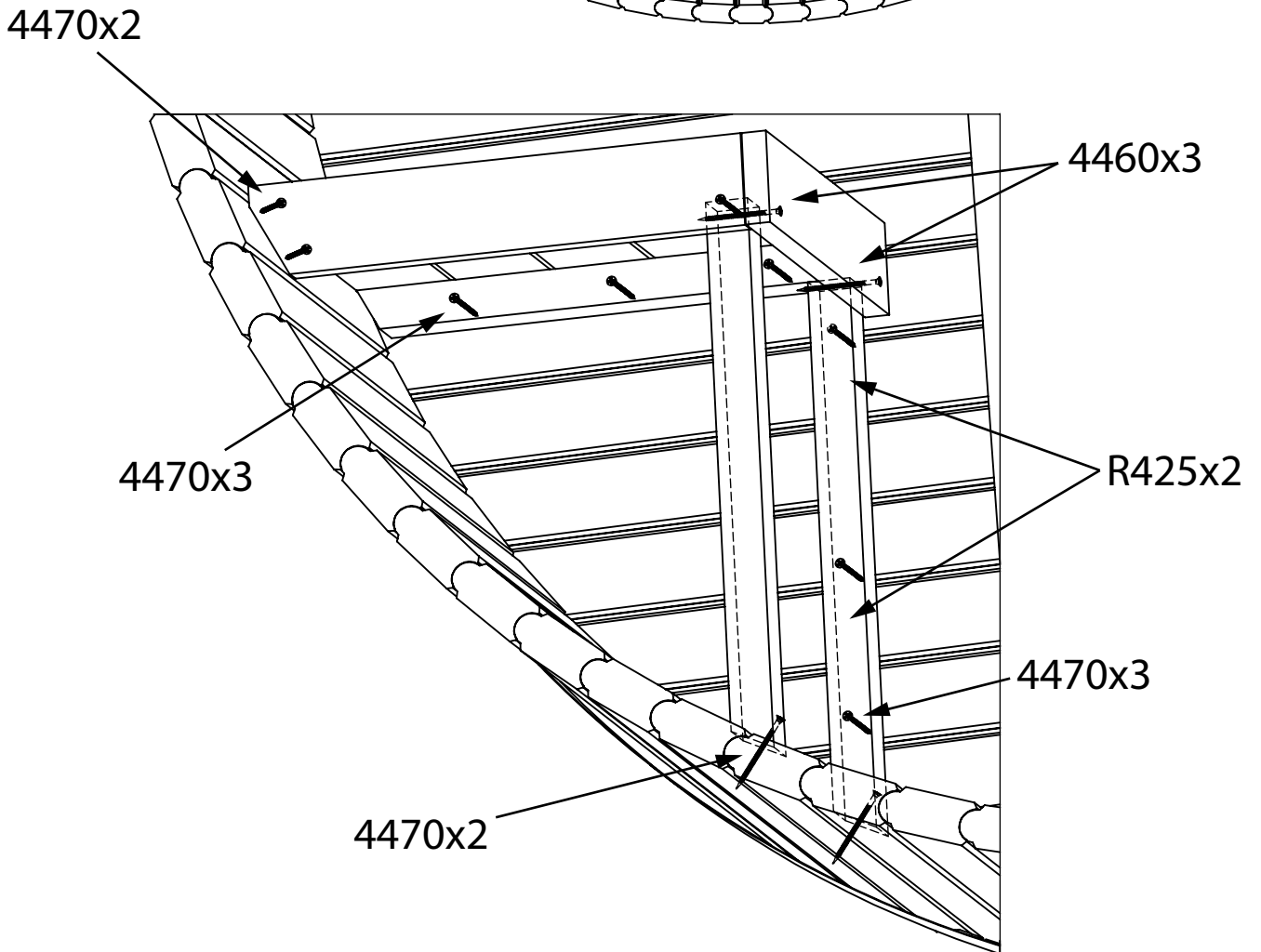
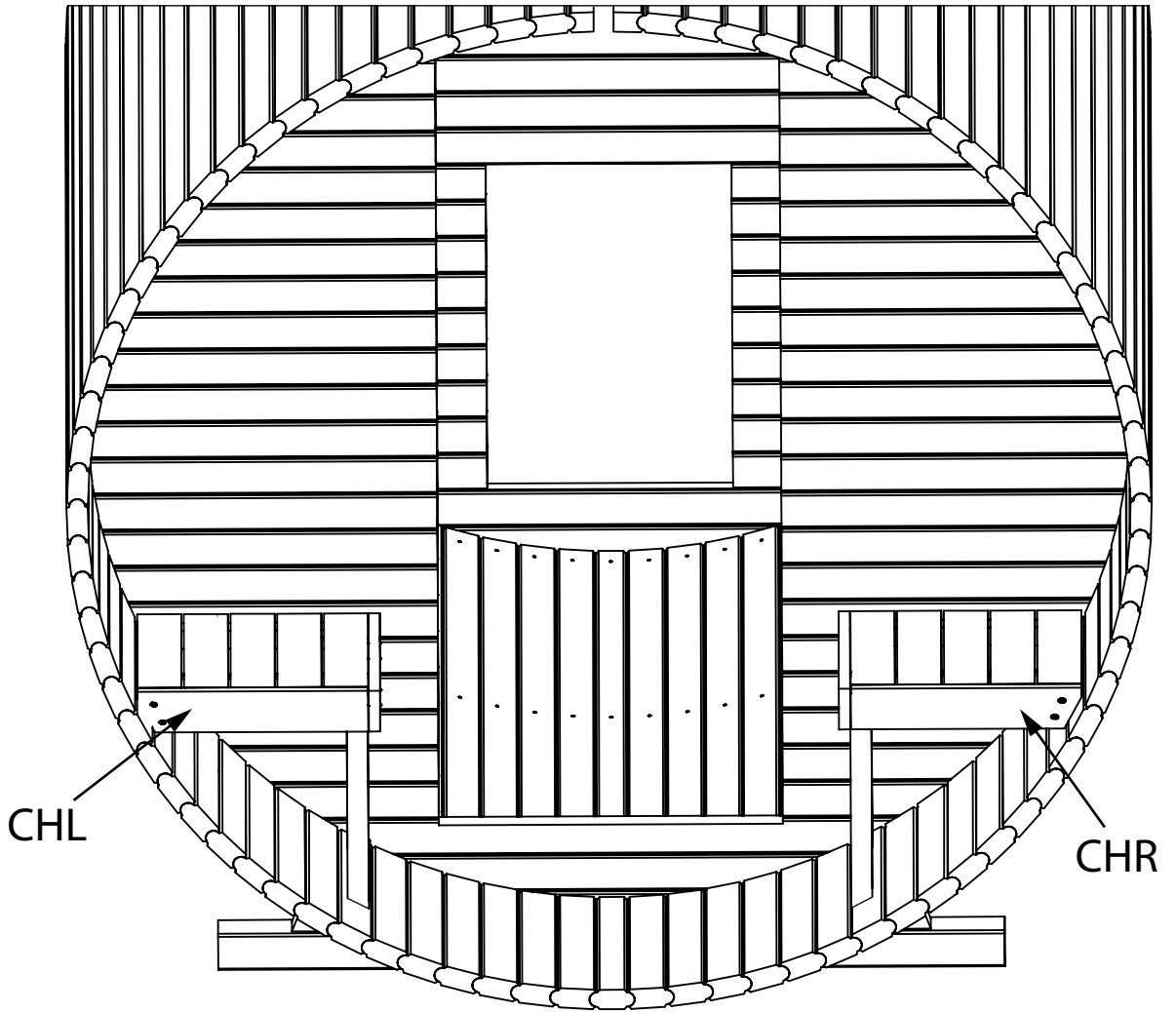


S1750+4x4470 H1650+2x4470

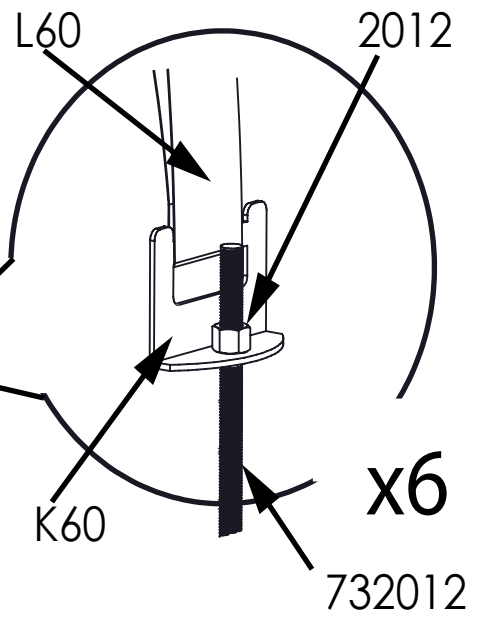
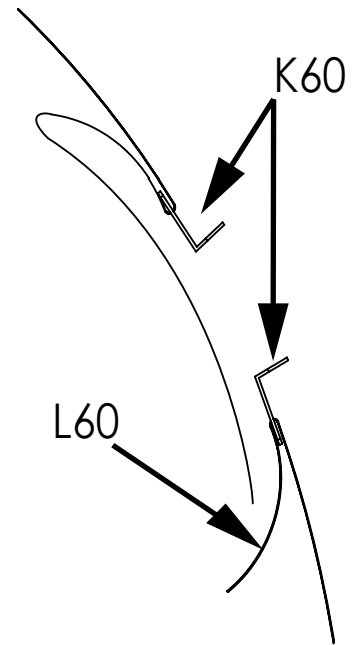
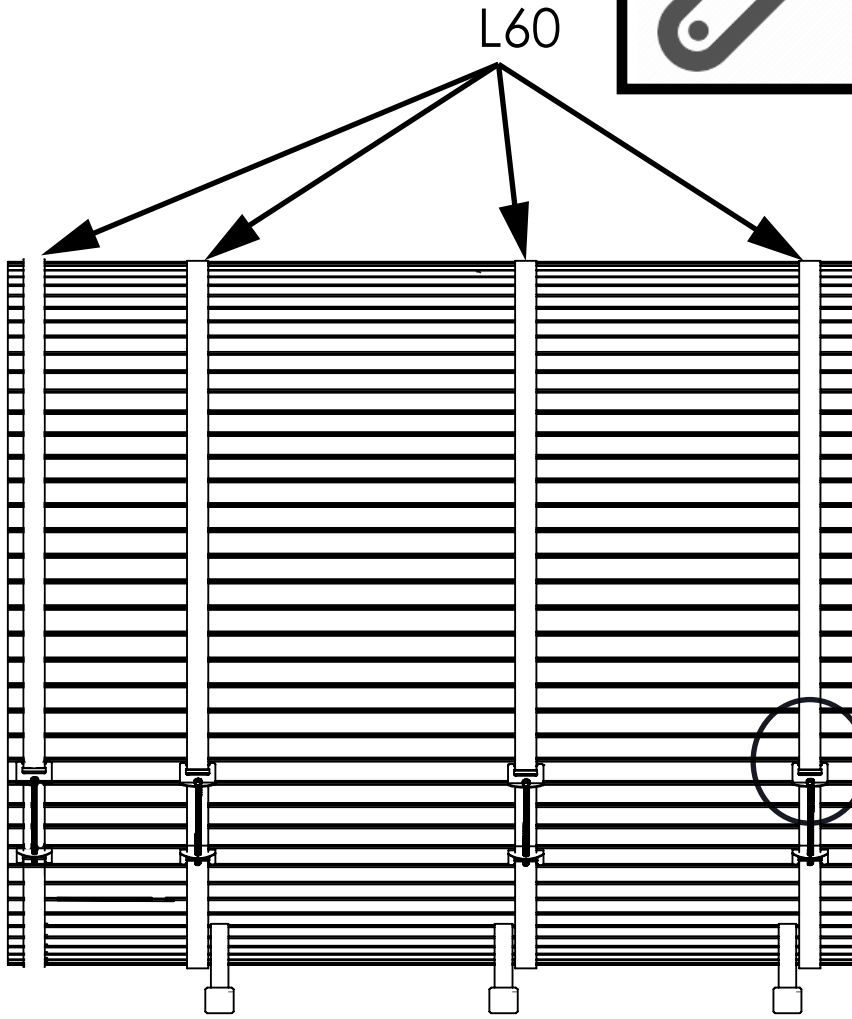
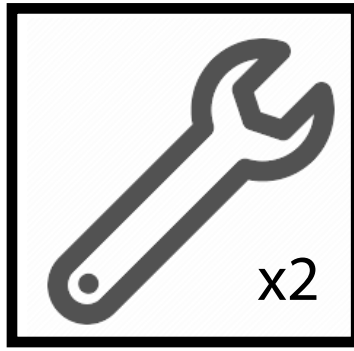


R425+2x4470 R425+2x4470 R425+2x4470

CHL - 1
CHR - 1
R425 - 4
4470 - 20
4460 - 6



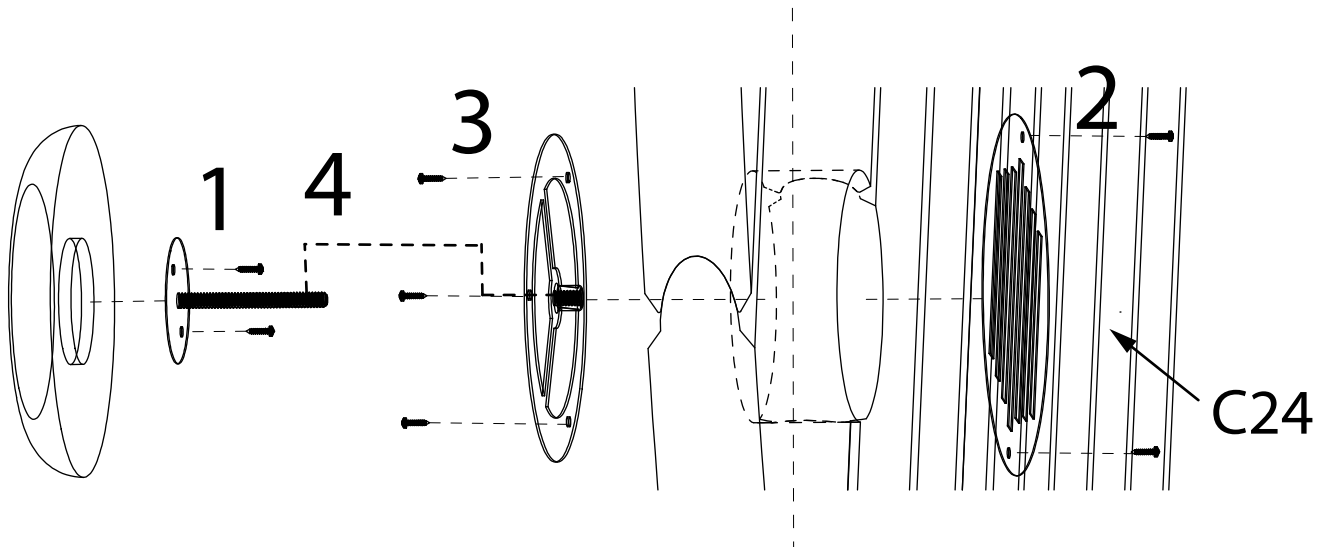
L60 - 4
K60 - 8
2012 - 8
732012 - 4



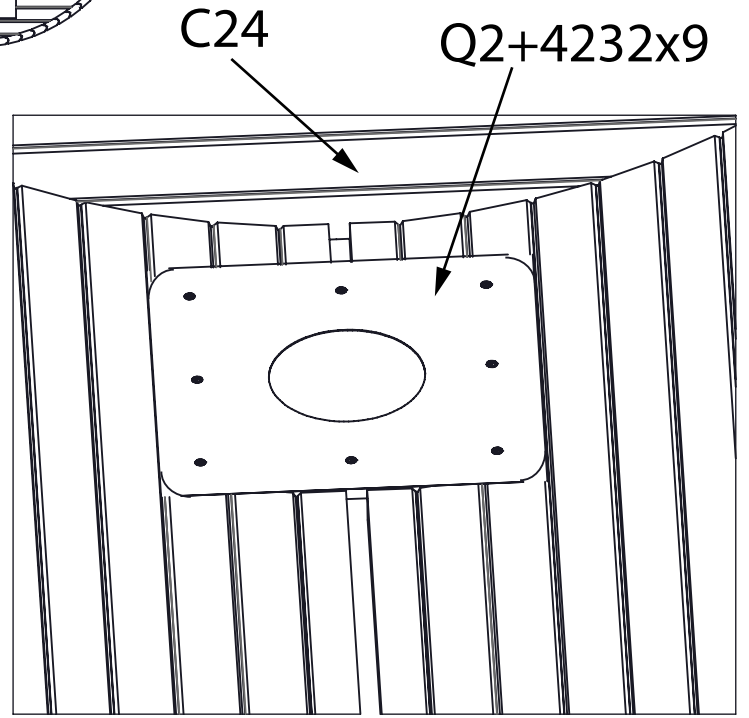
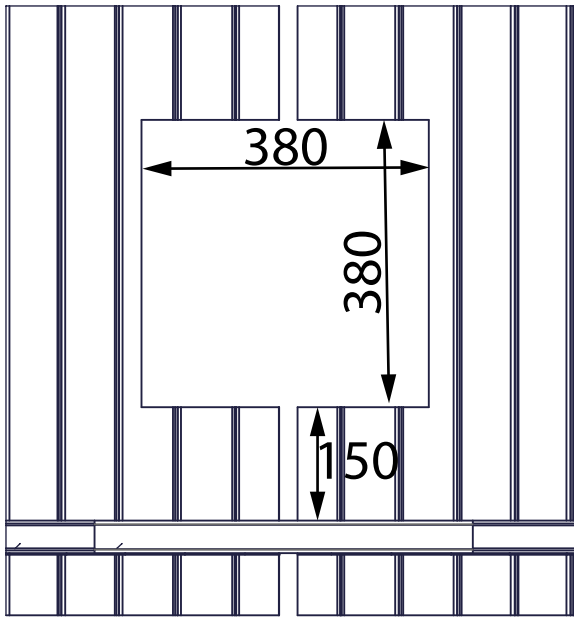
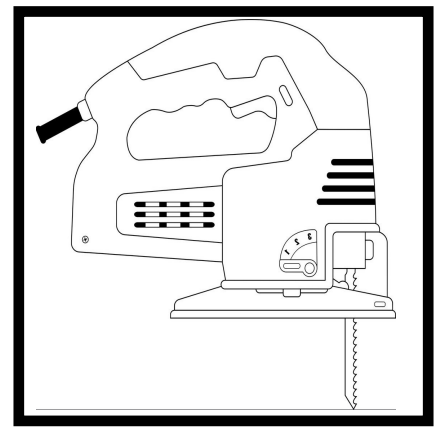
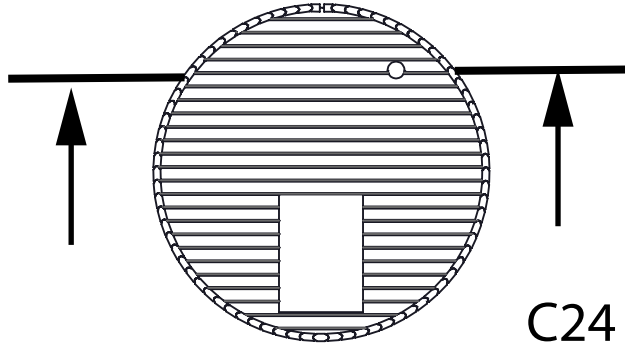
SET3

IN

OUT



Q2 - 1
4232 - 8

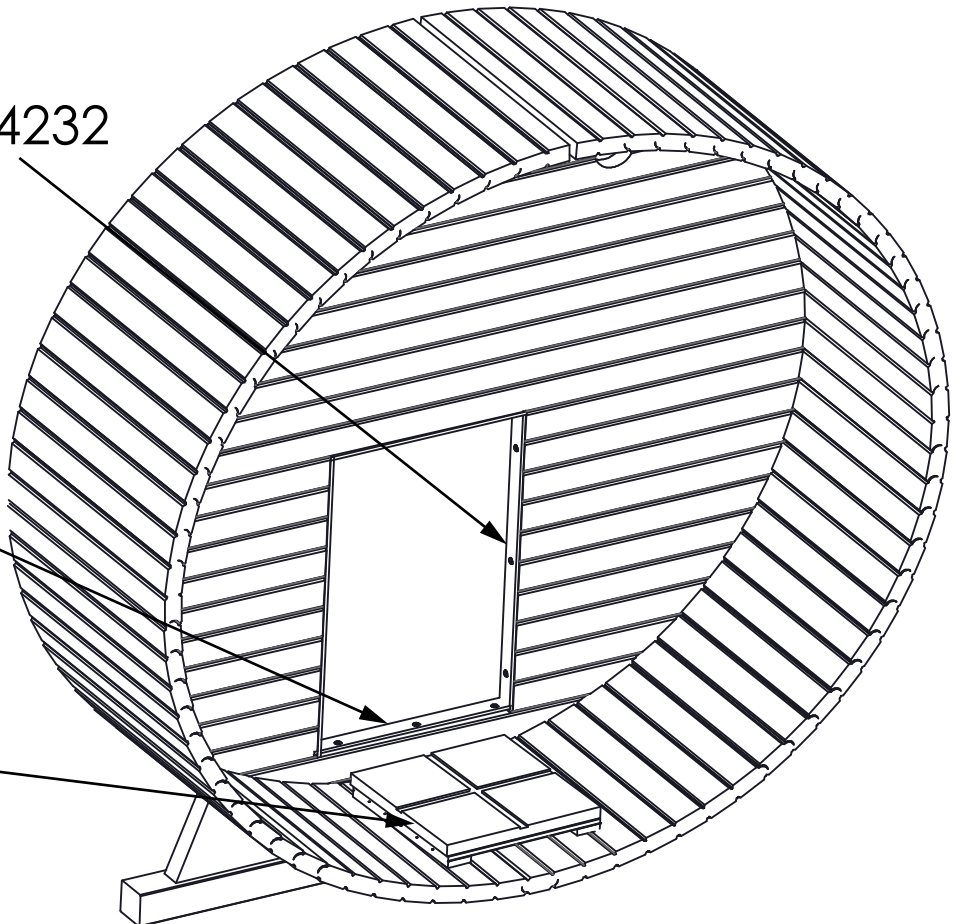


1500 - 2
1800 - 2
T500 - 1
4232 - 12
F - 1

1800+3x4232

1500+3x4232

T500+F

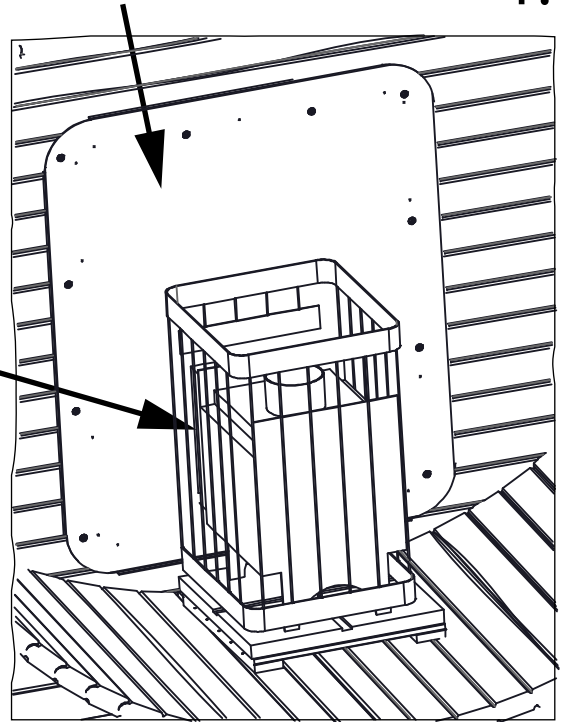


- G1 - 1
- G2 - 1
- G3 - 1
- G4 - 1
- G10 - 70%
- Q3 - 1
- Q4 - 1
- 4232 - 22

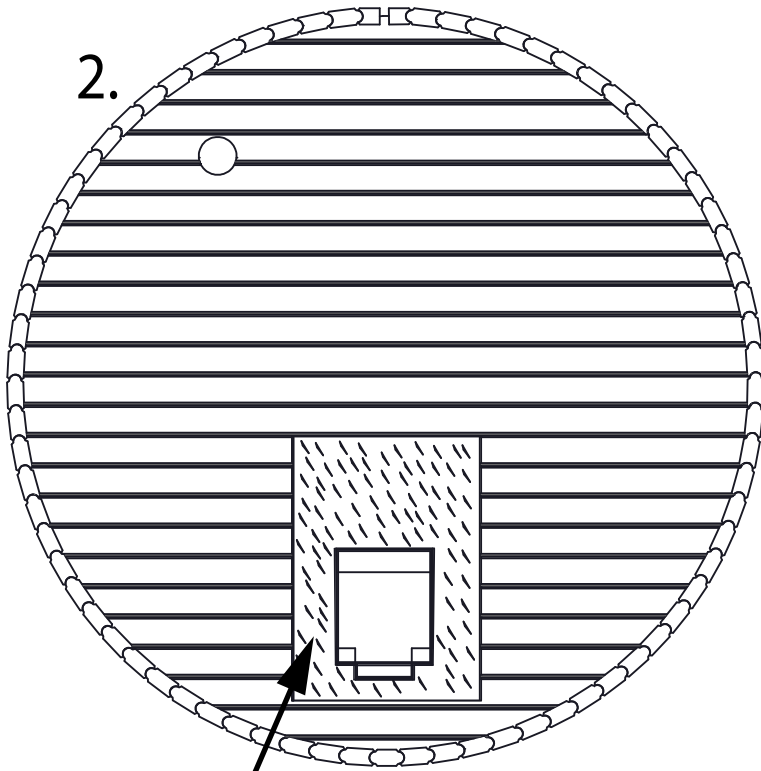
Q3+4232x10

1.

G1+G4

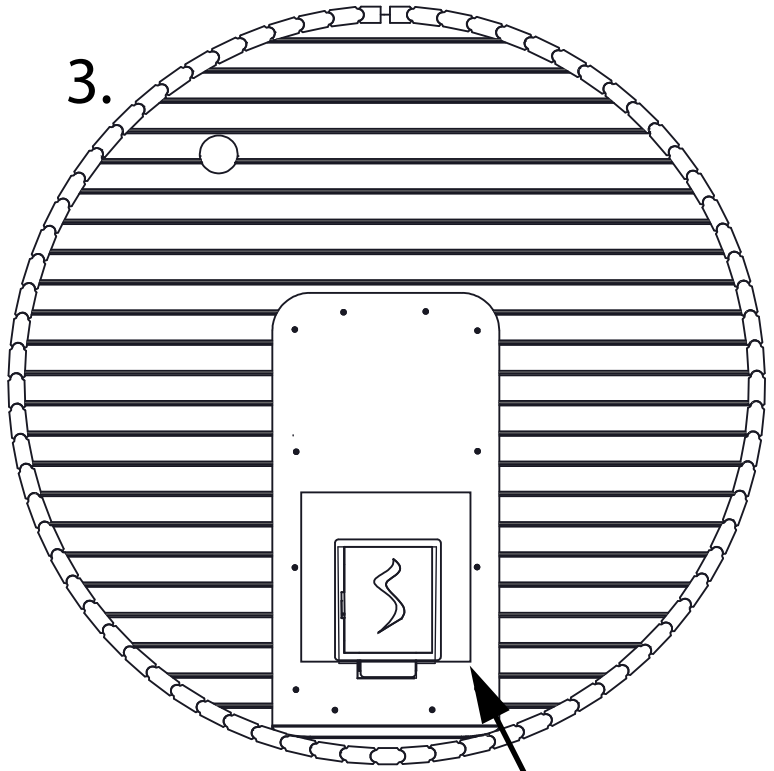


2.



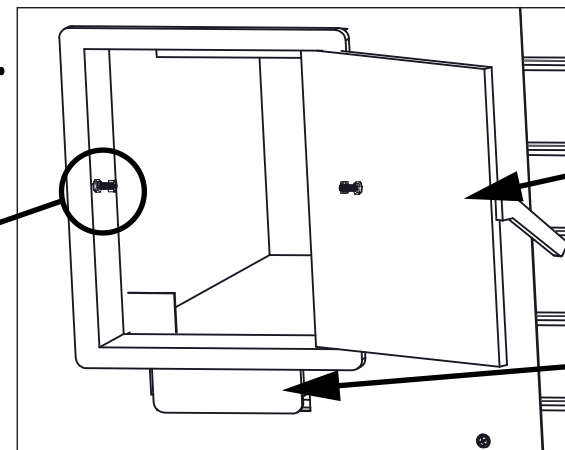
G10

3.



Q4+4232x12

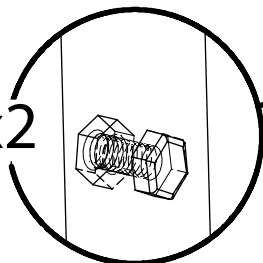
5.



G2

G3

x2



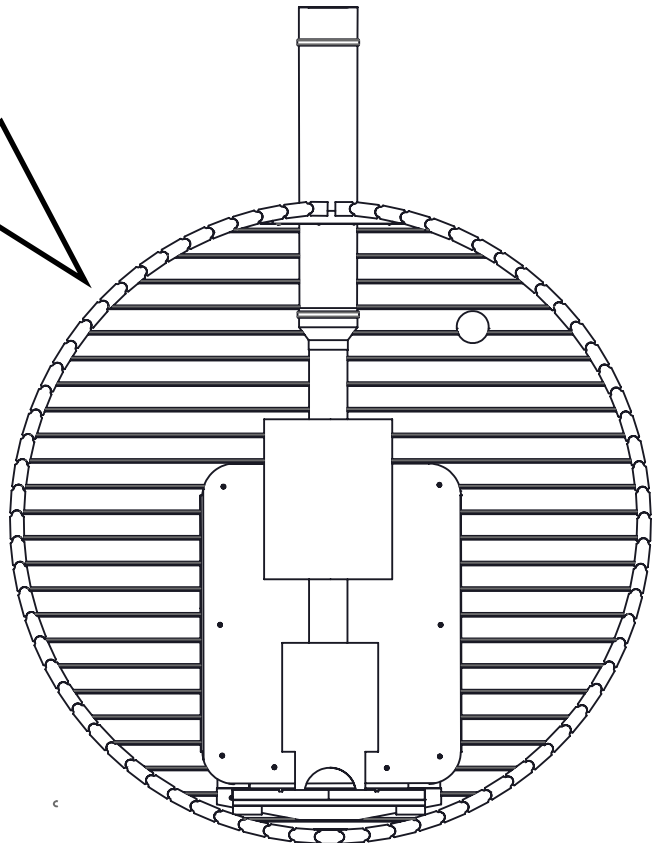
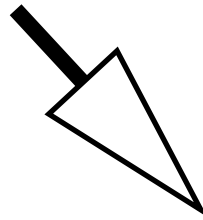
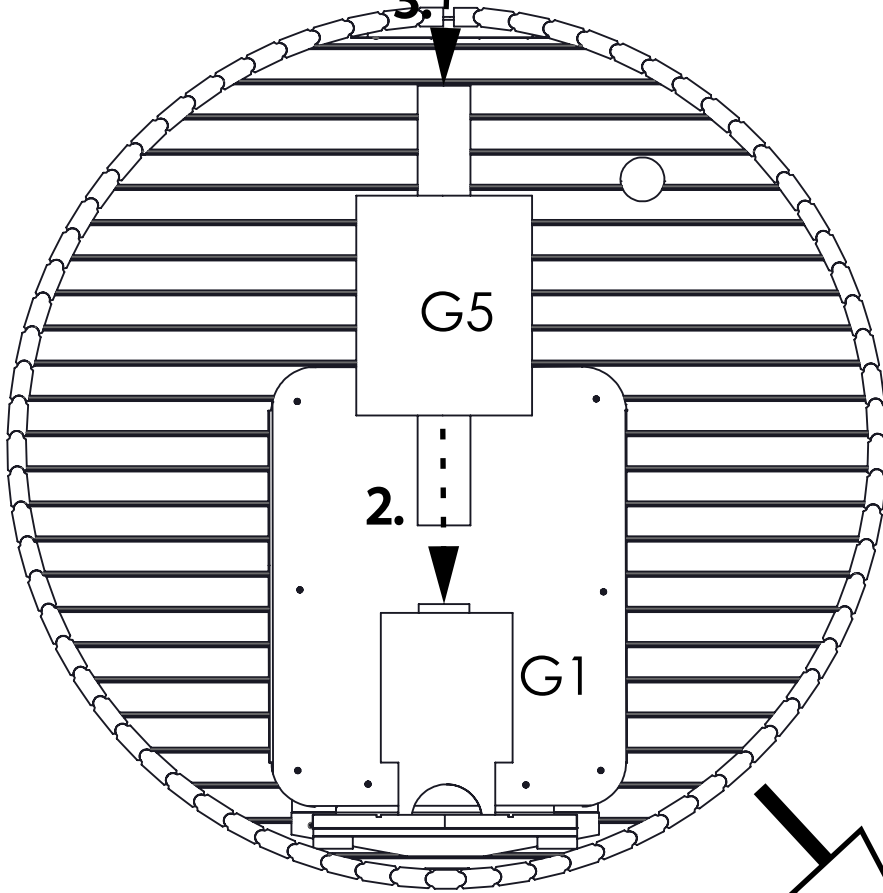
G5 - 1
G6 - 1
G7 - 1



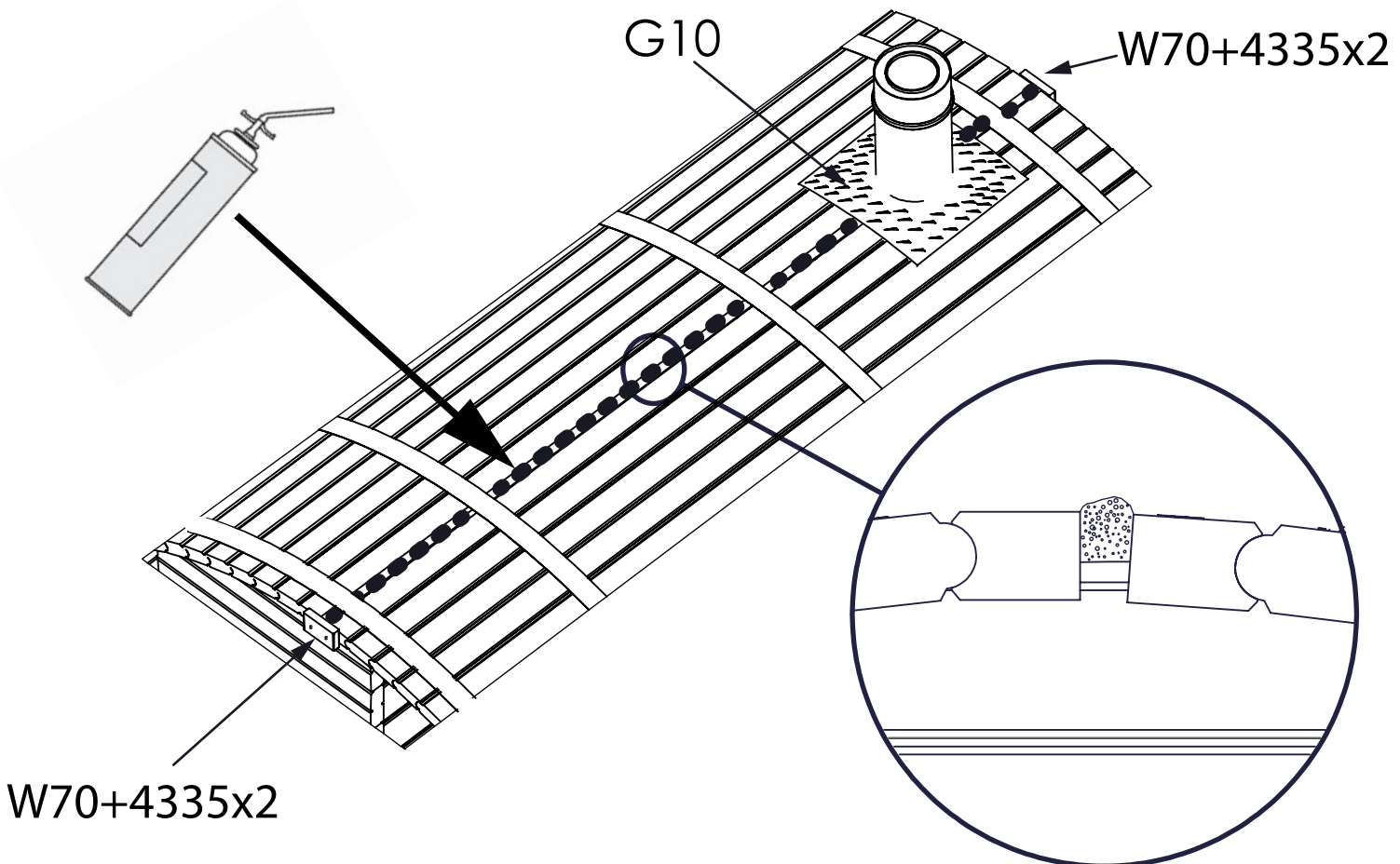
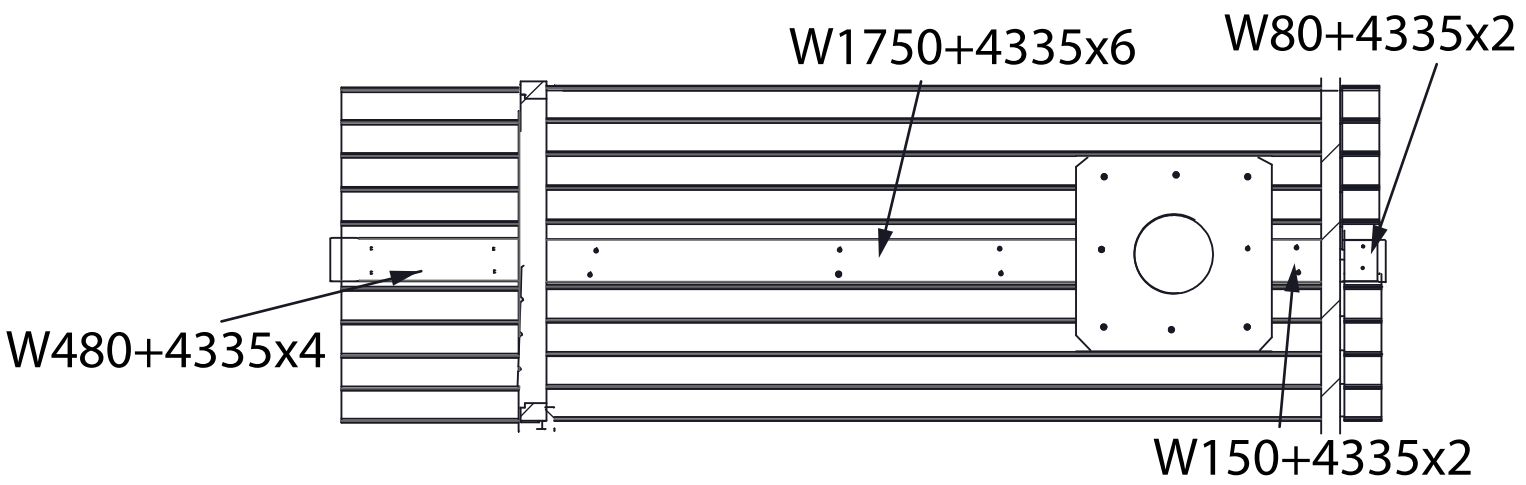
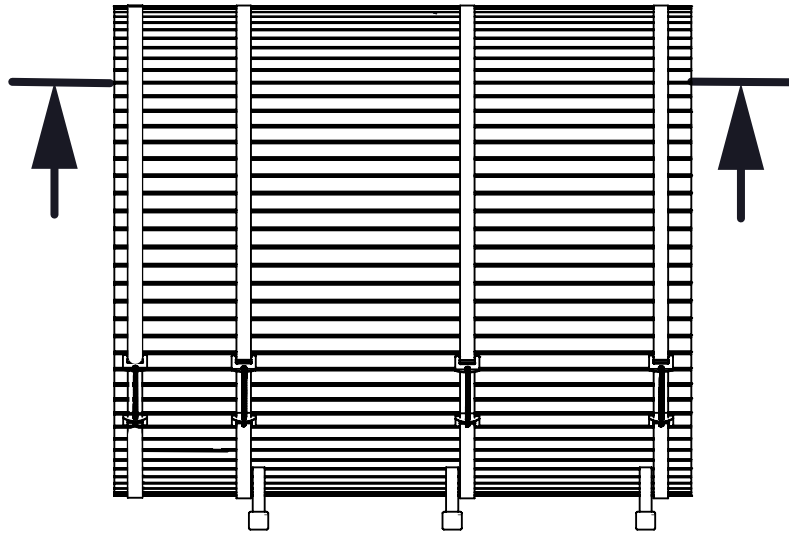
1.



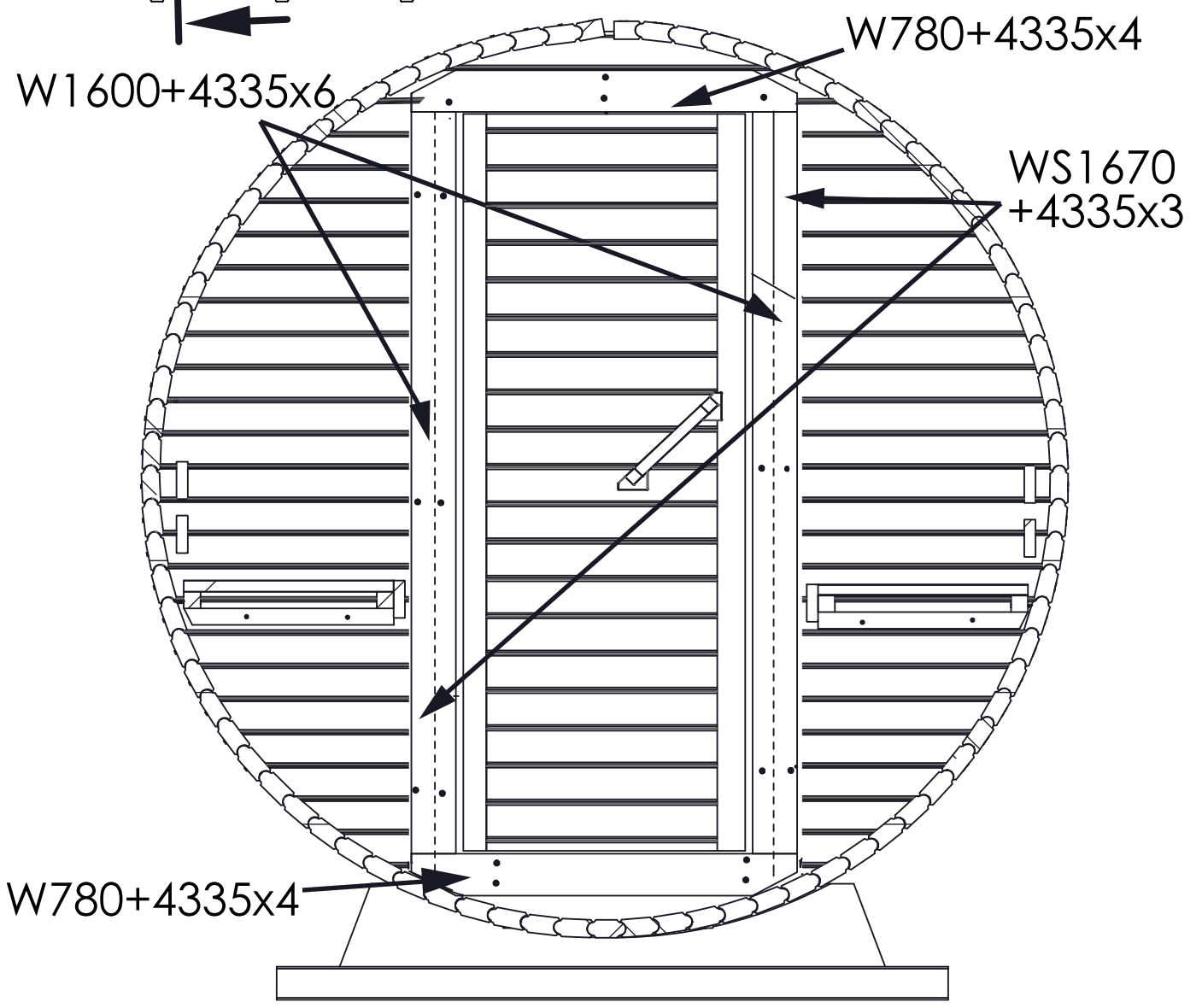
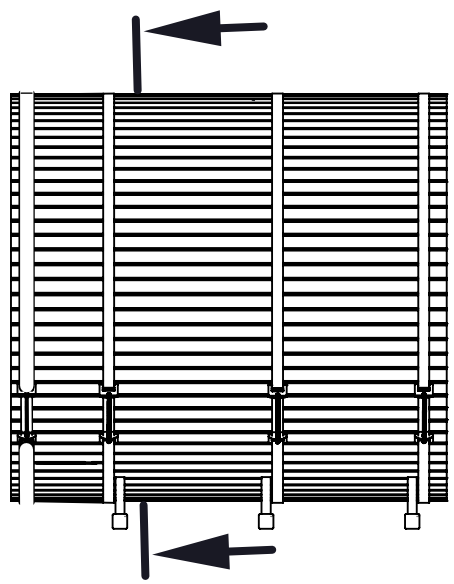
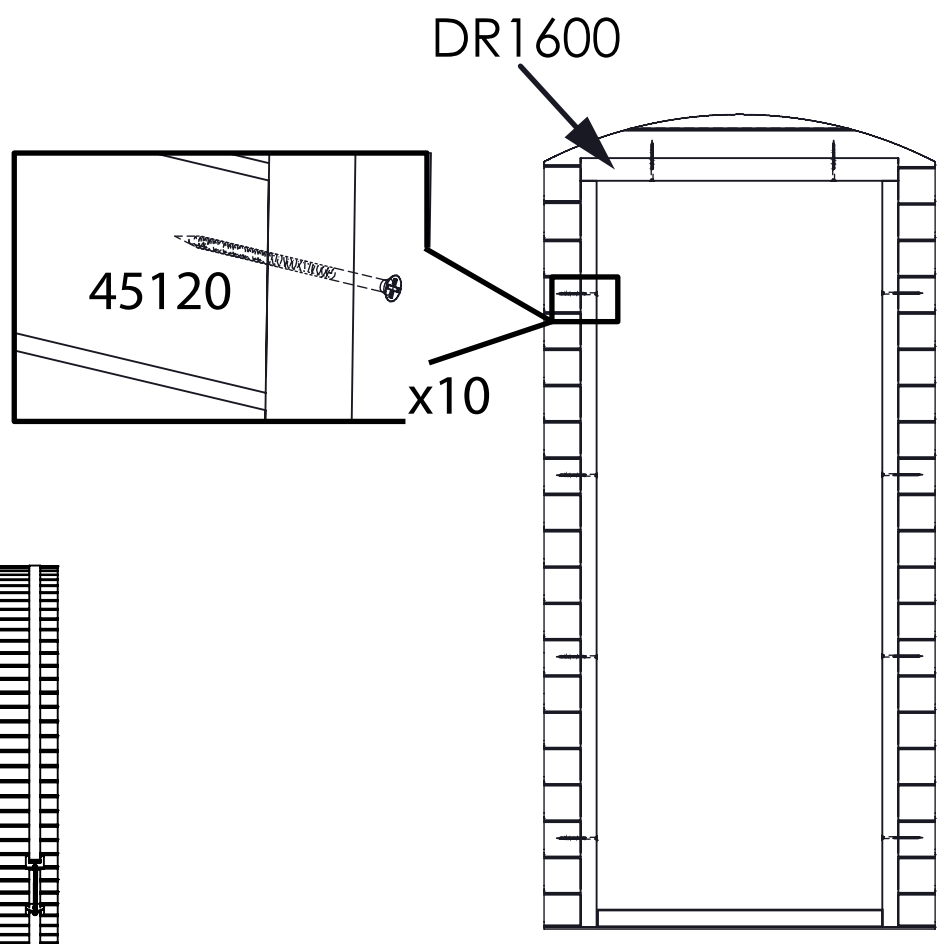
3.



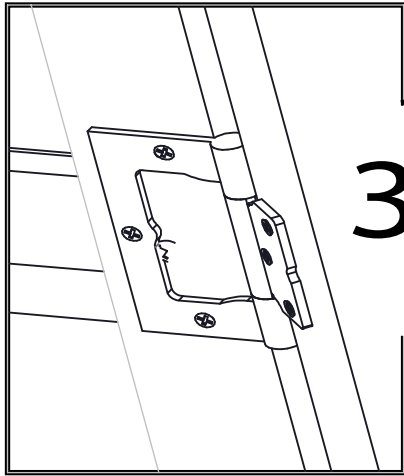
W1150 - 1
 W480 - 1
 W150 - 1
 W80 - 1
 W70 - 2
 4335 - 18
 G10
 G11



- DR1600 - 1
- D1600 - 1
- W1600 - 2
- WS1670 - 2
- W780 - 2
- 45120 - 10
- 4335 - 26

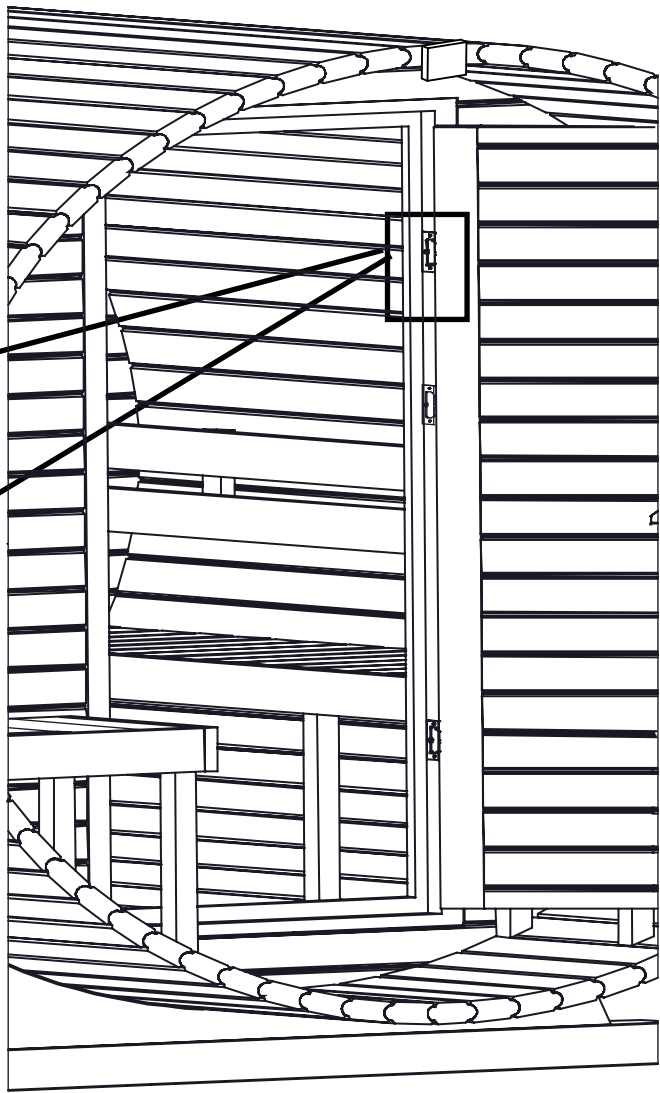


D1700 - 1
80801 - 3
4335 - 30
SET1 - 1



3x

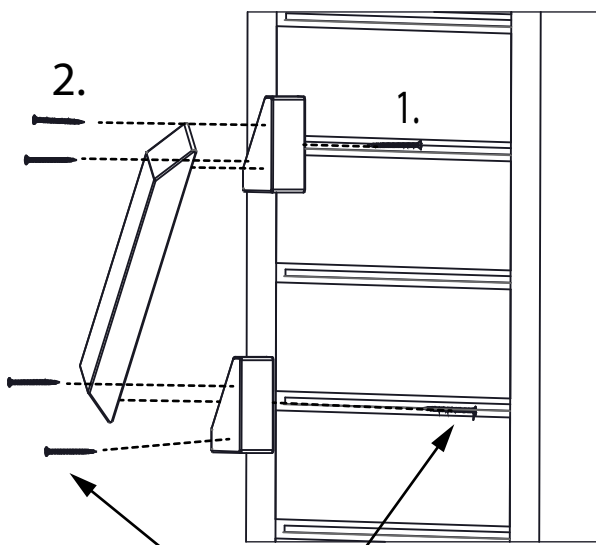
80801+6x4335



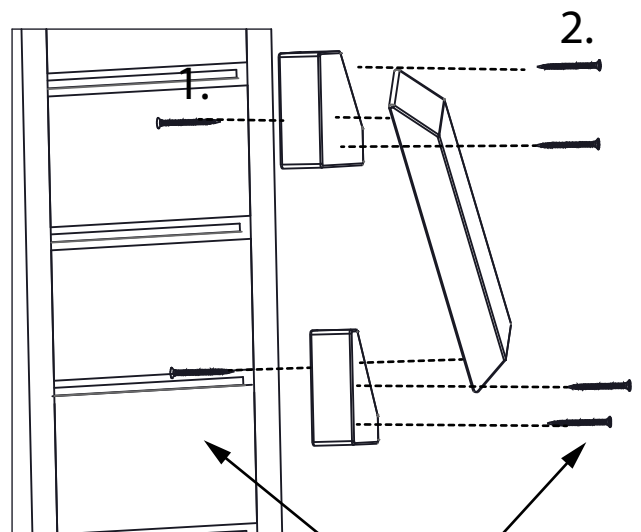
SET1

IN

OUT

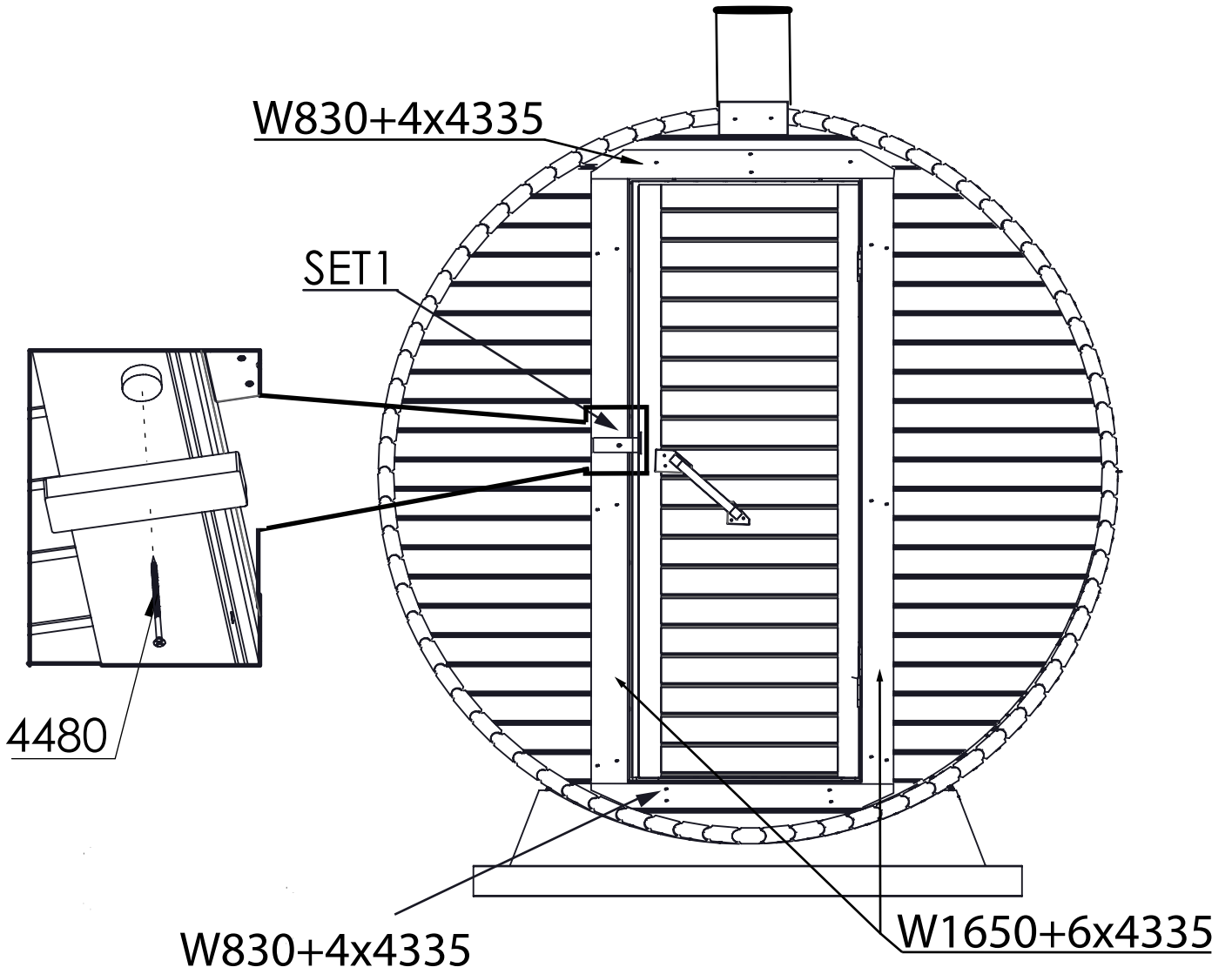


4335x6



4335x6

W830 - 2
W1650 - 2
4480 - 1
4335 - 20

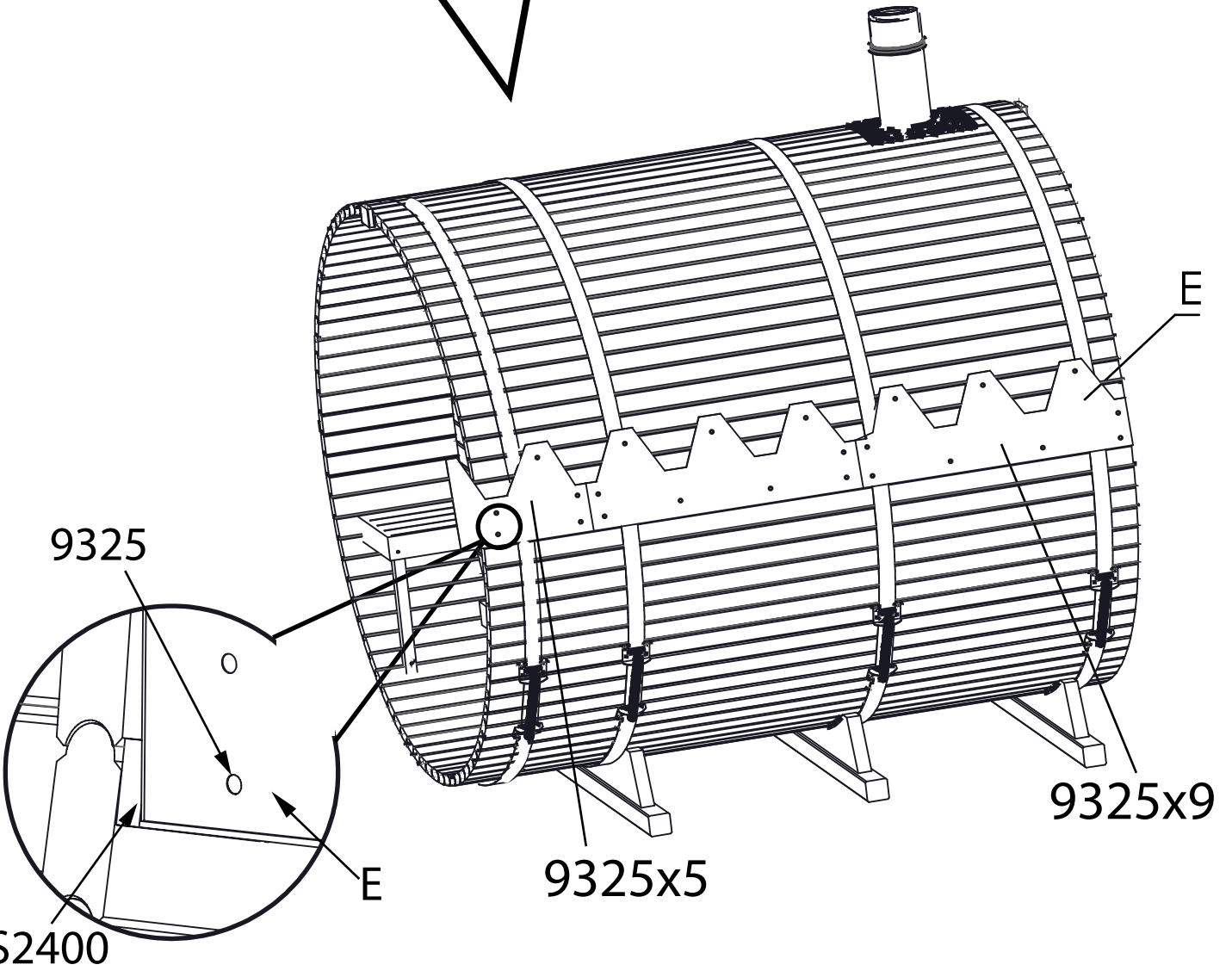
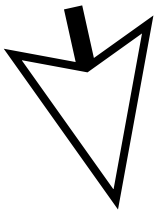


WS2400 - 2
4335 - 8
9325 - 450
E - 63

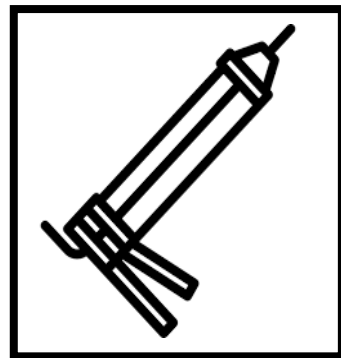
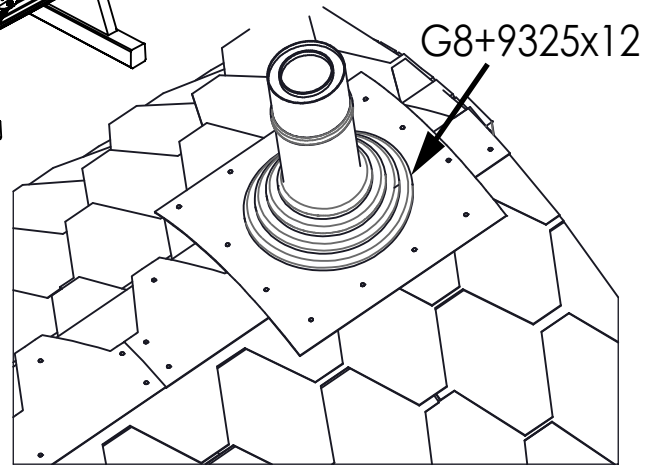
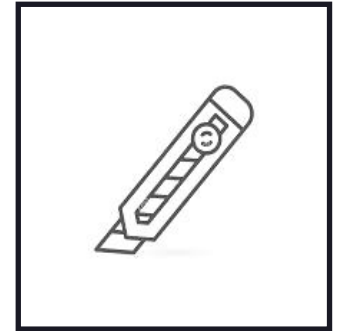
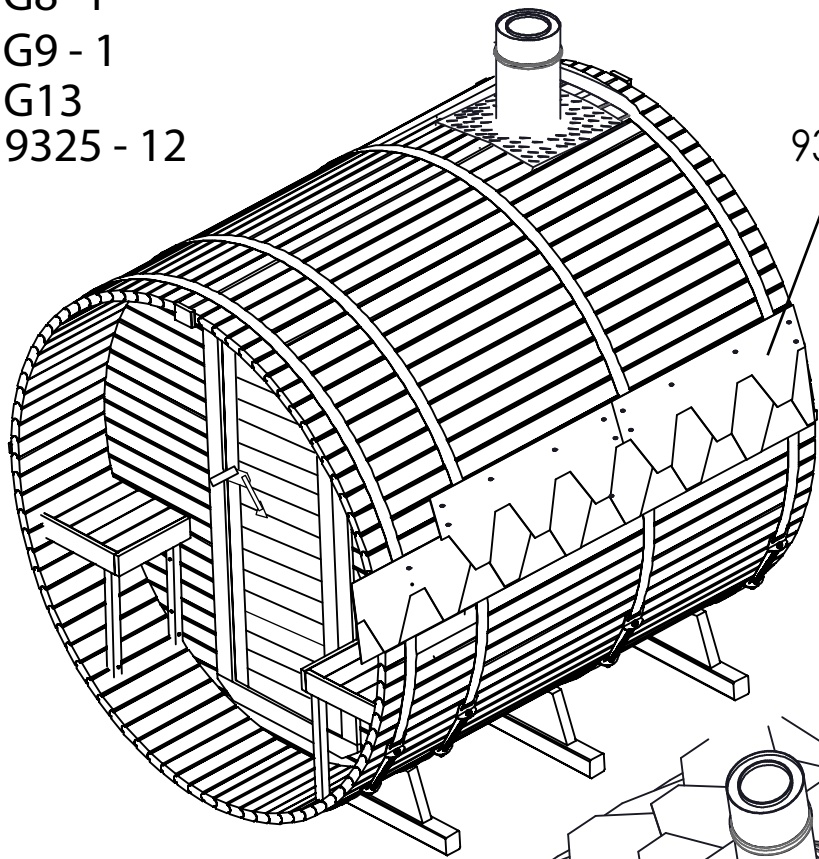


4335x4

WS2400



G8- 1
G9 - 1
G13
9325 - 12



G9

