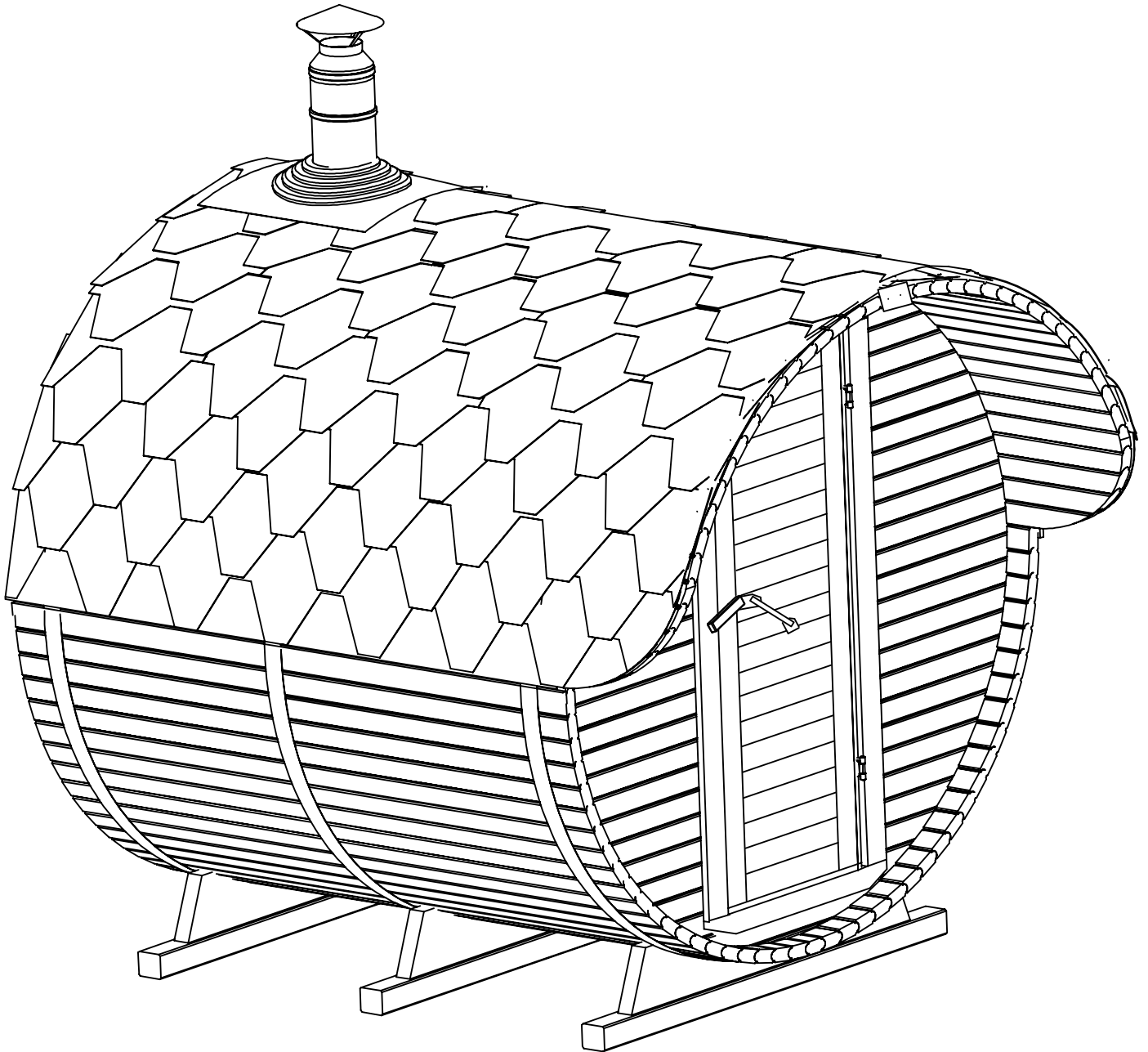
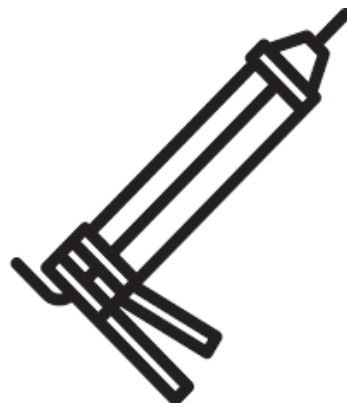
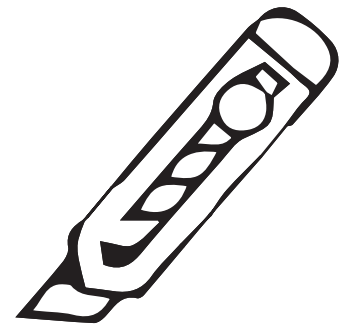
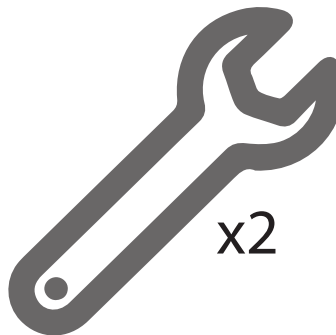
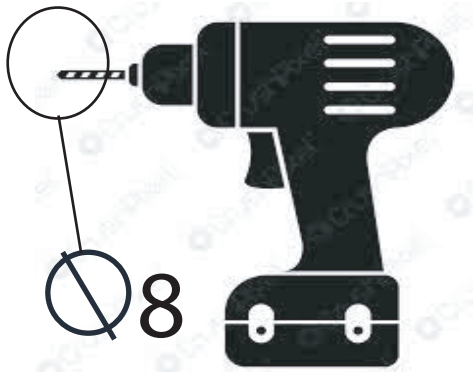
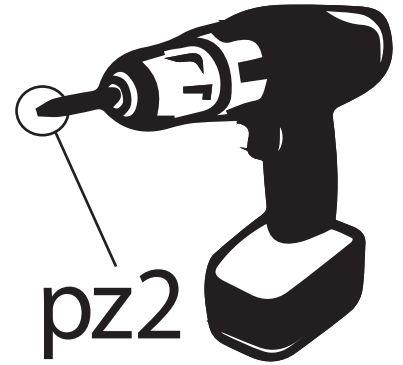
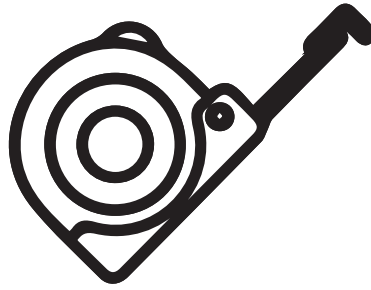
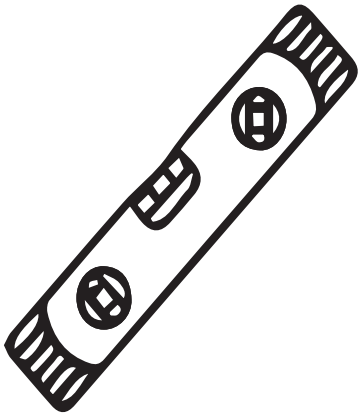


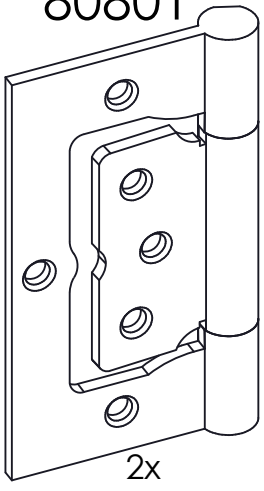
WOODDEN SQUARE SAUNA COMFORTPROM 2m WITH VISOR



necessary tools

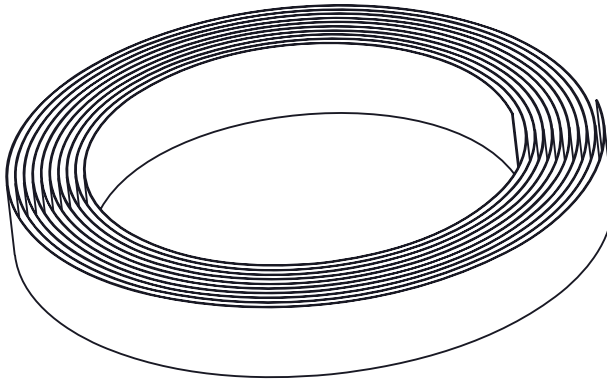


80801



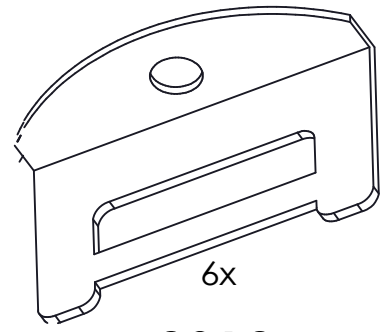
2x

L60



3x

K60



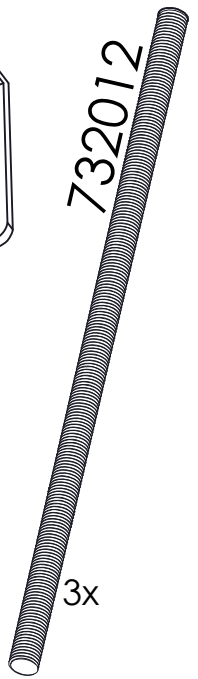
6x

2012



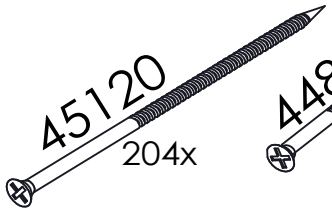
6x

732012



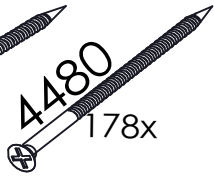
3x

45120



204x

4480



178x

4470



36x

4232



42x

4335



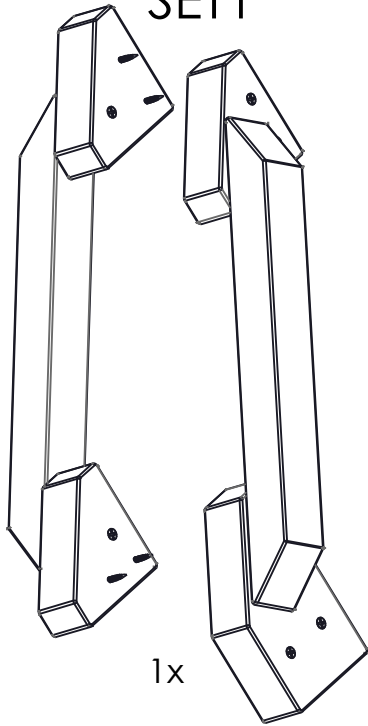
96x

9325



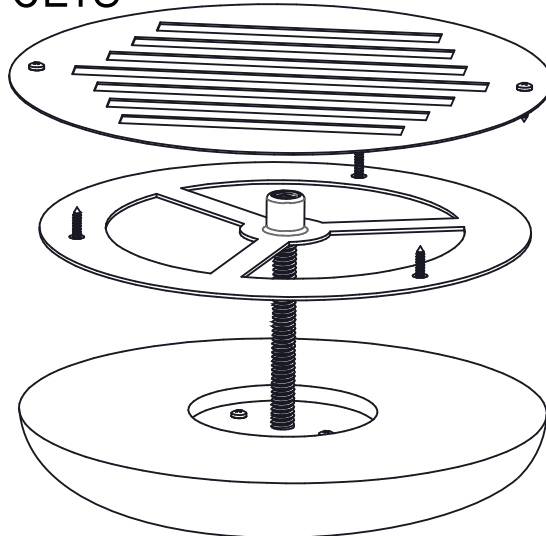
462x

SET1

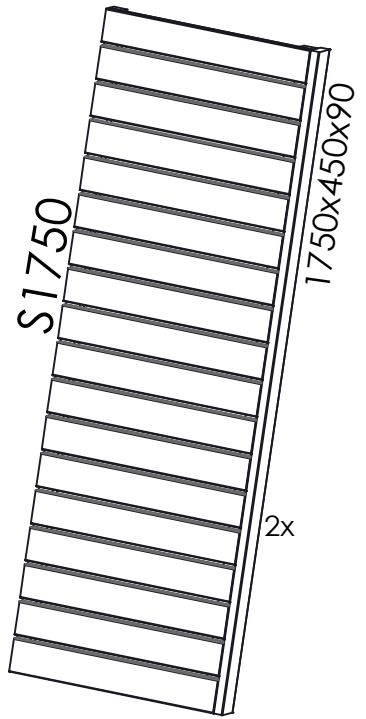


1x

SET3



1x

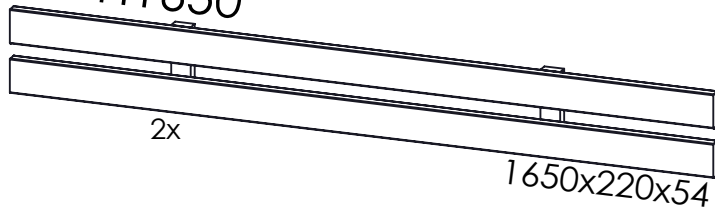


S1750

1750x450x90

2x

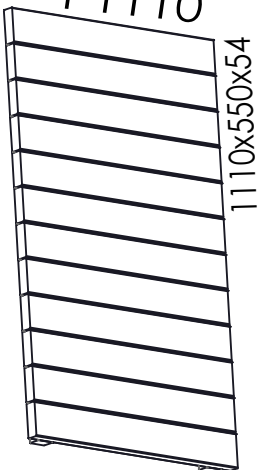
H1650



2x

1650x220x54

P1110



1110x550x54

1x

G11



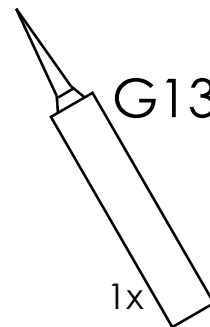
1x

G12



1x

G13

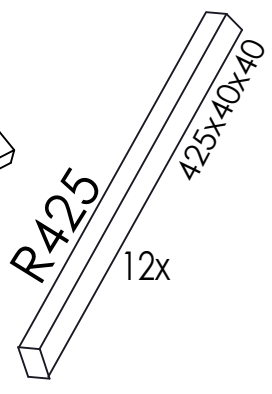
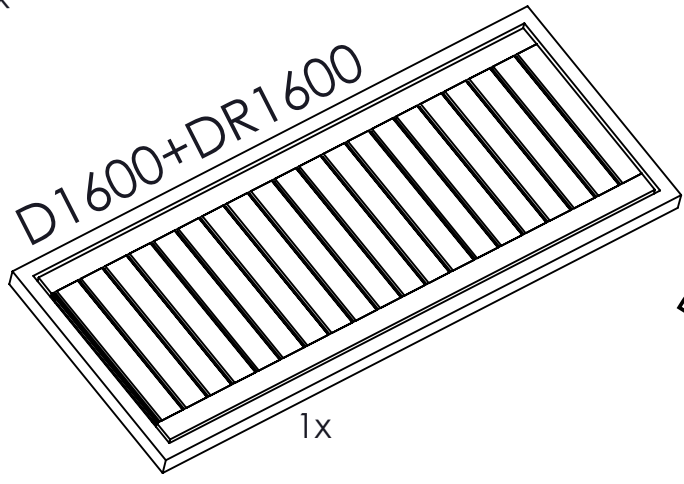
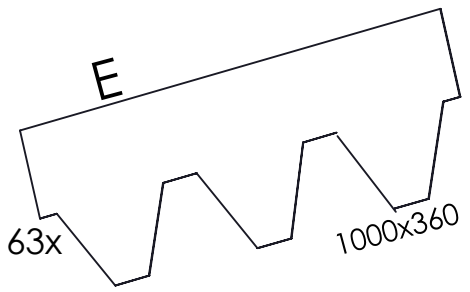
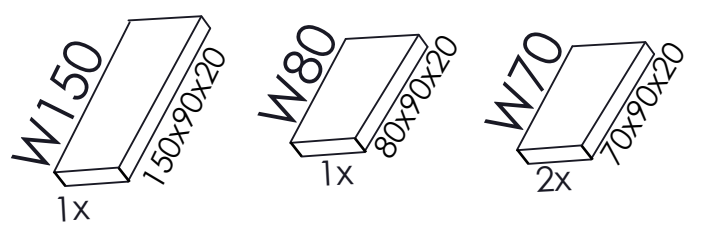
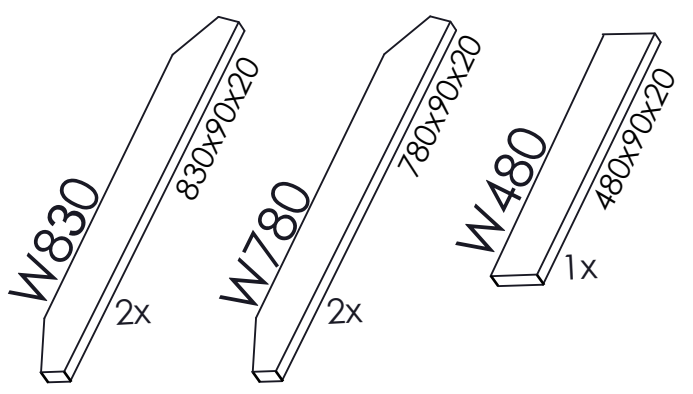
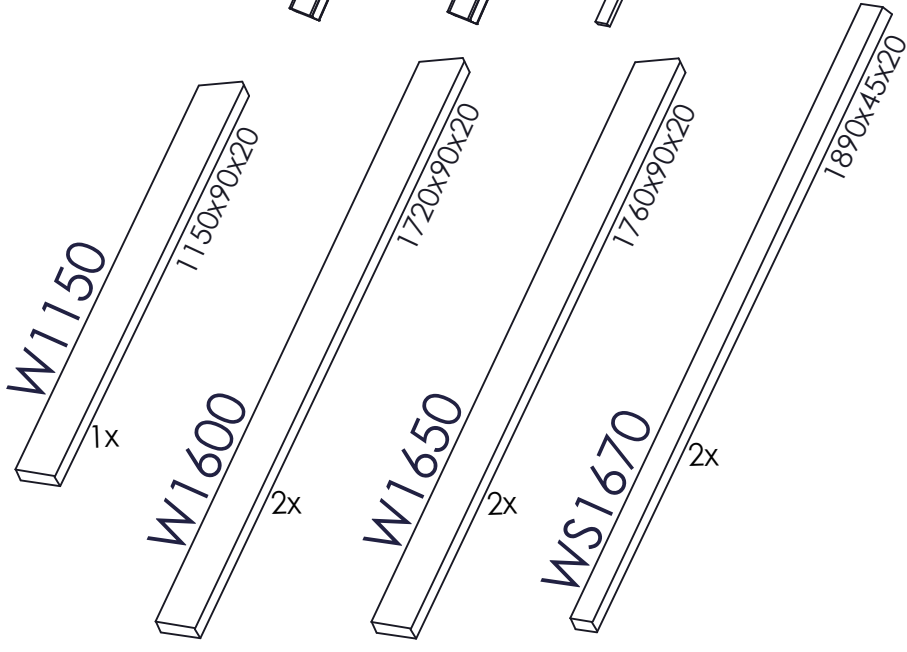
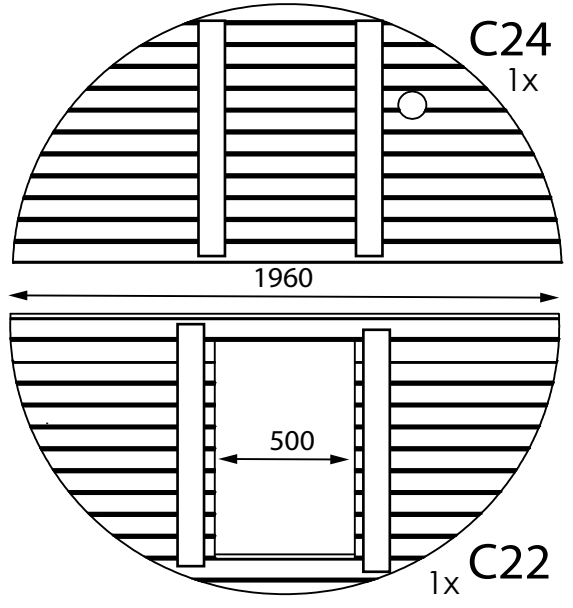
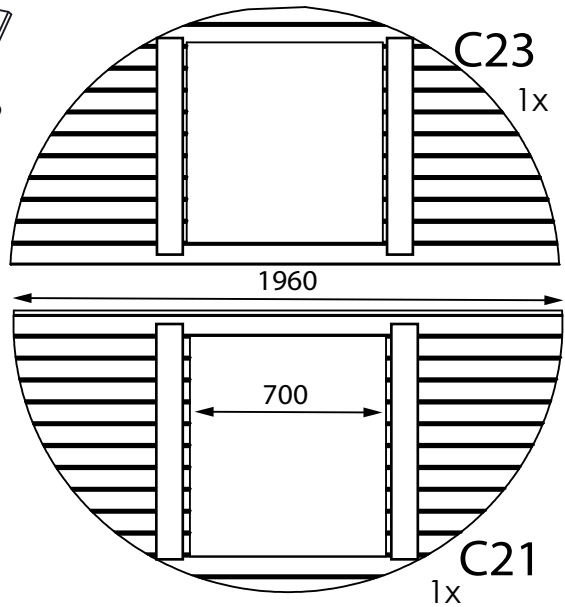
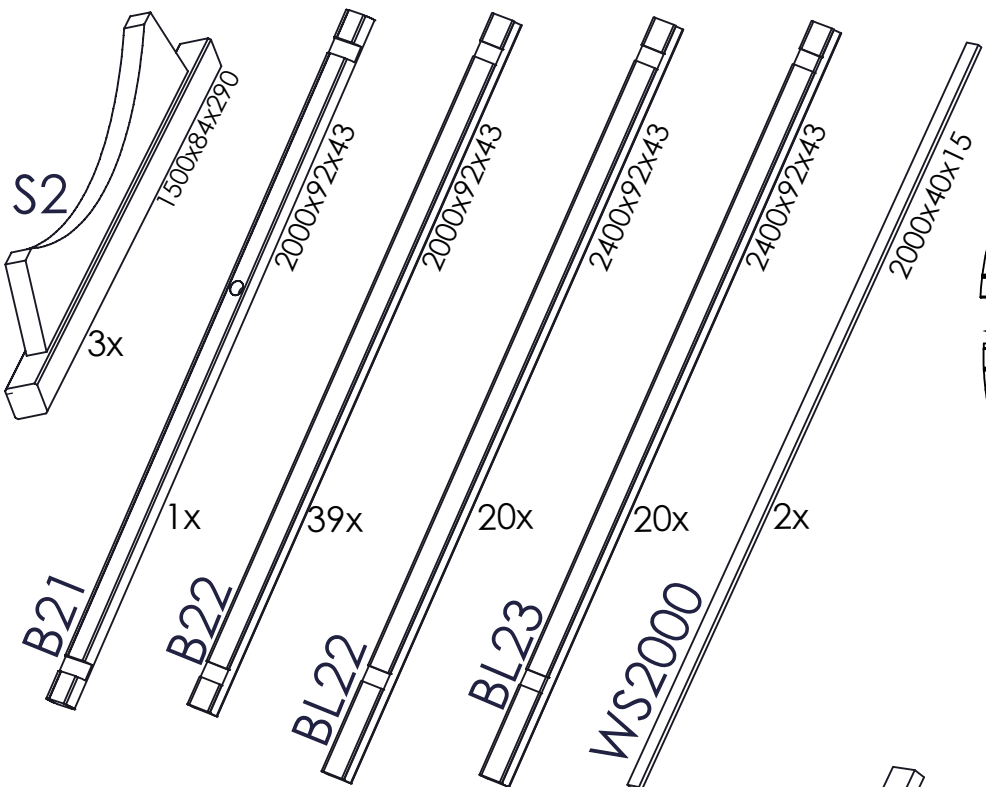


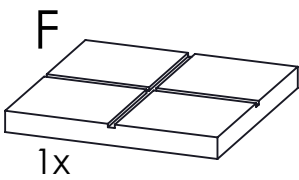
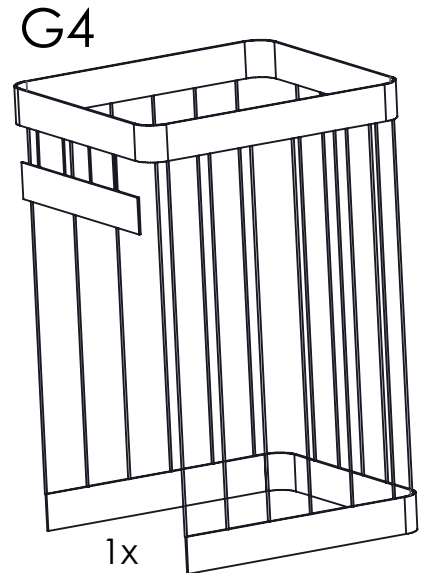
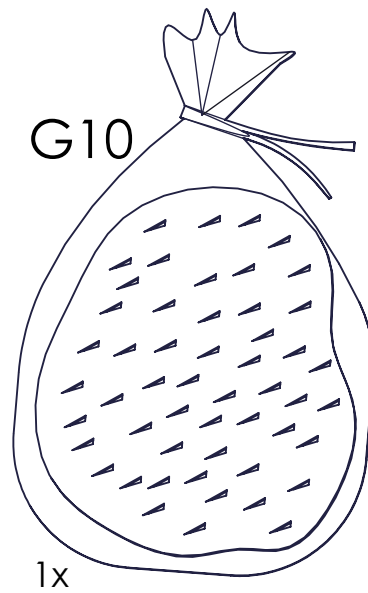
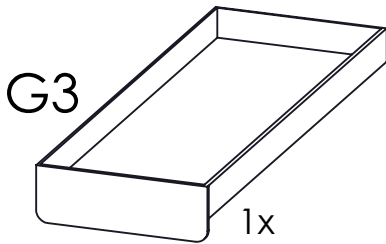
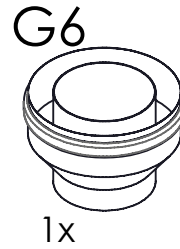
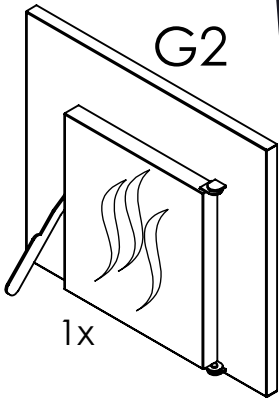
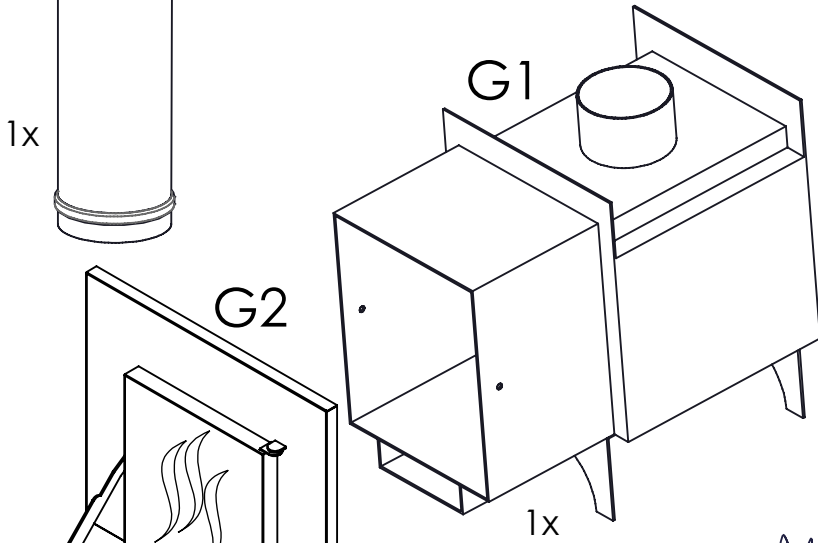
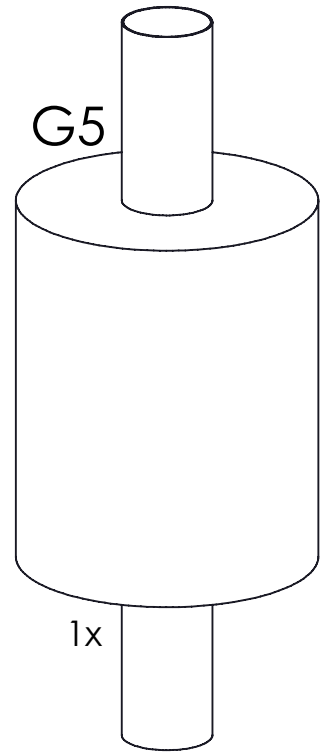
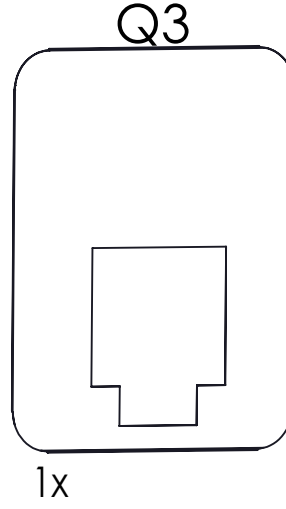
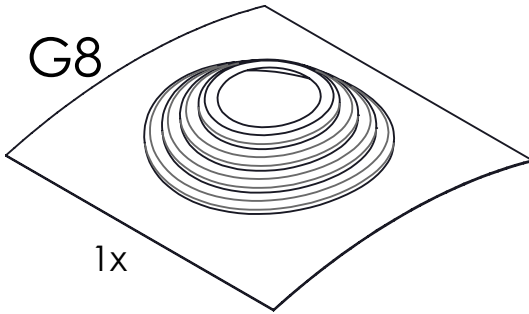
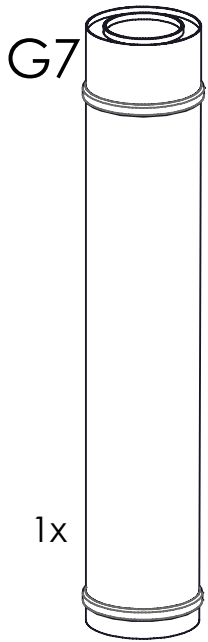
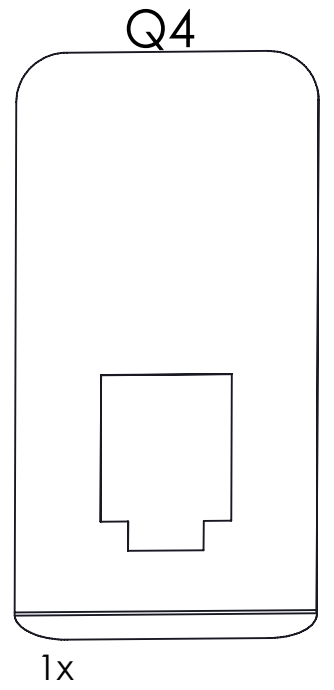
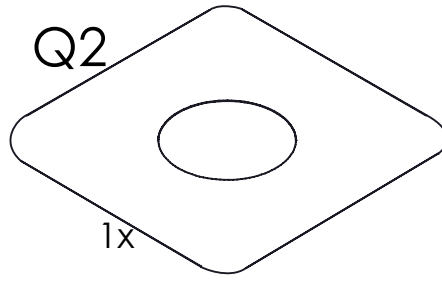
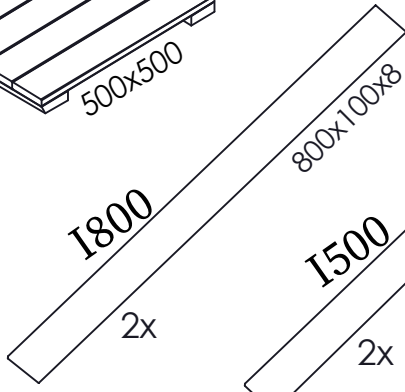
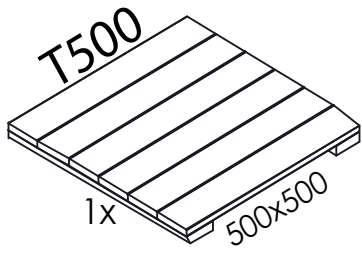
1x

Q1

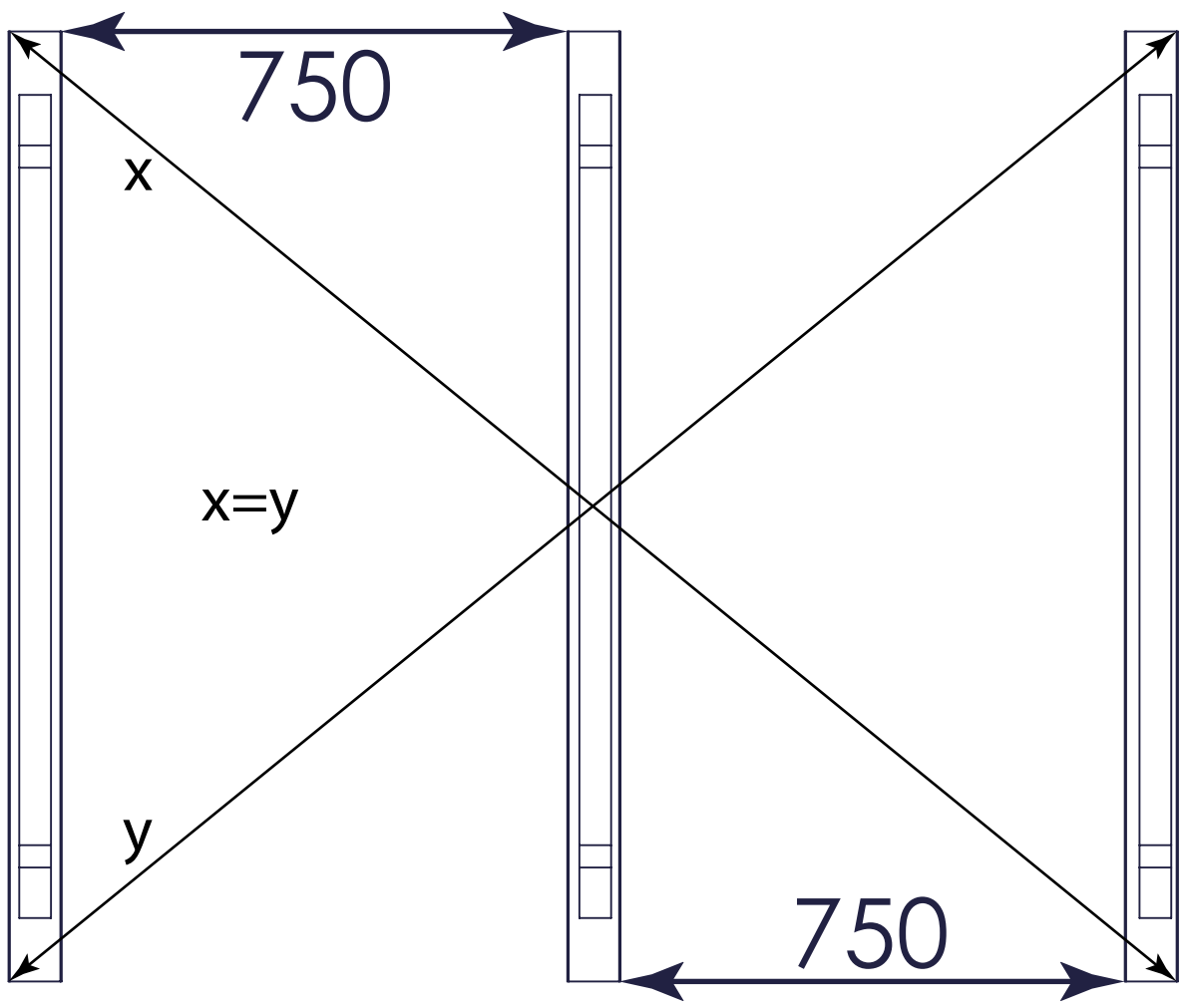
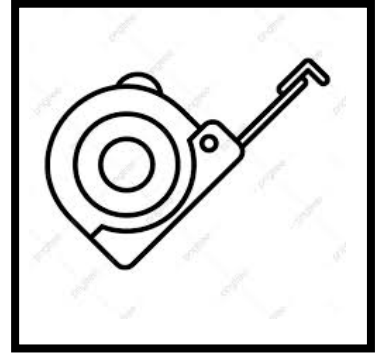
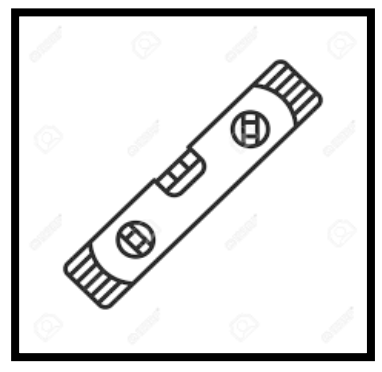
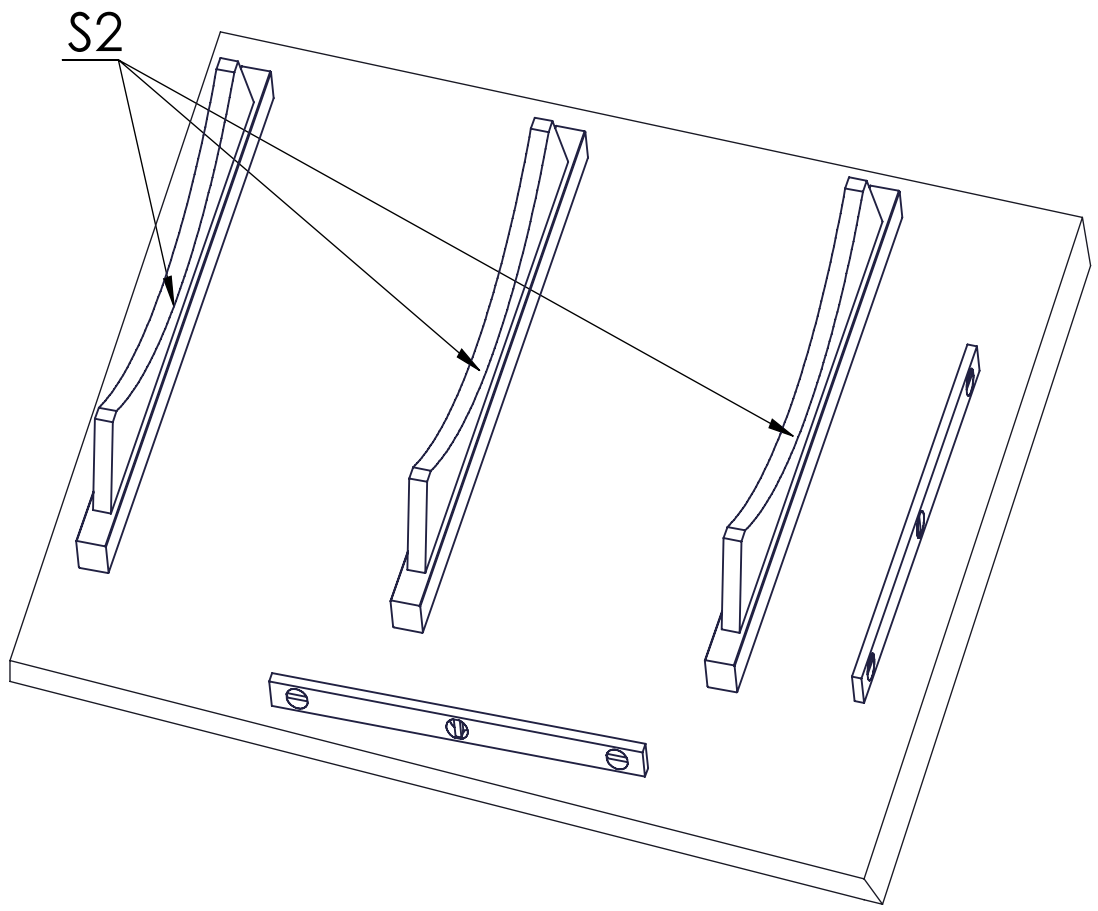


1x

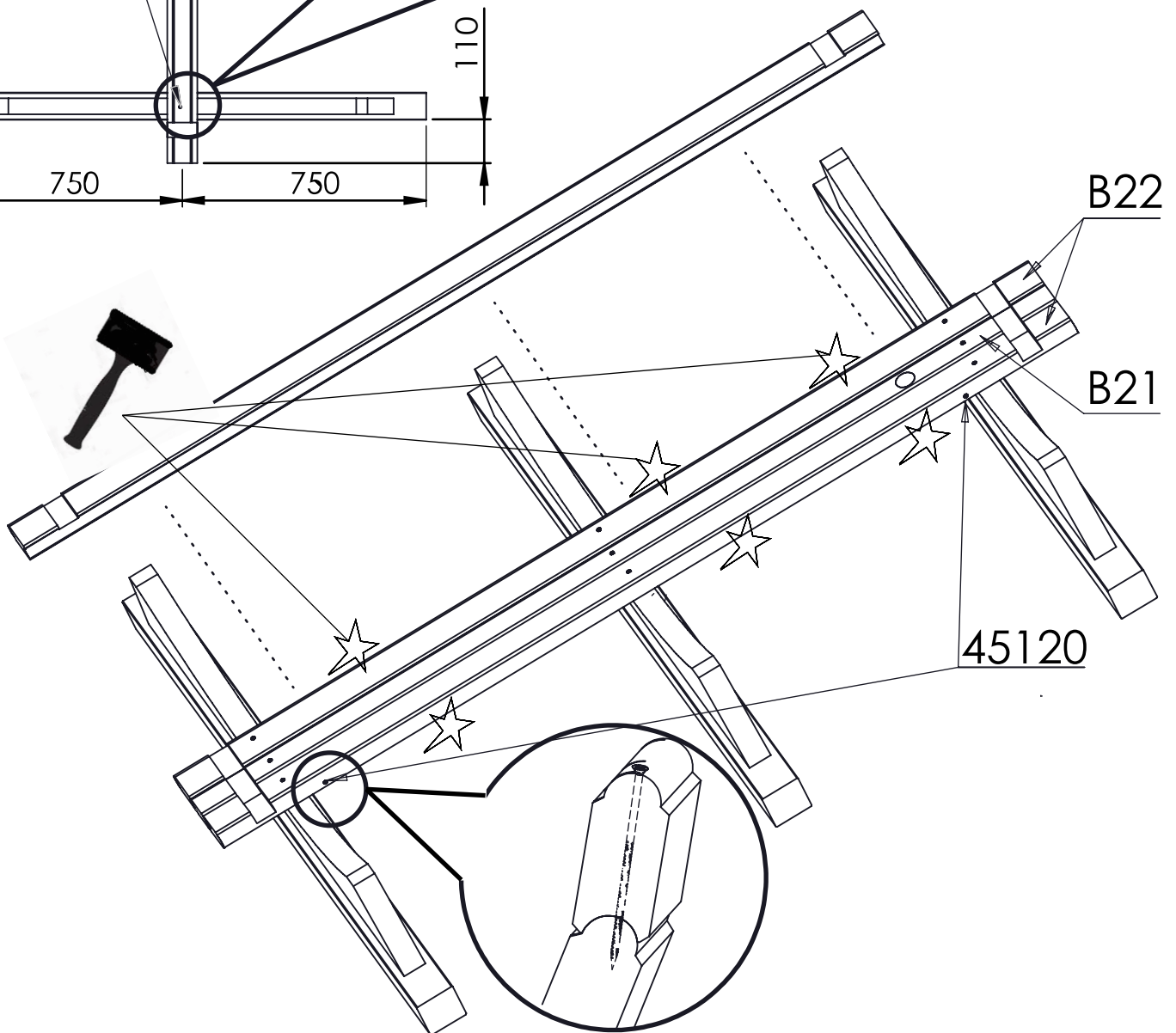
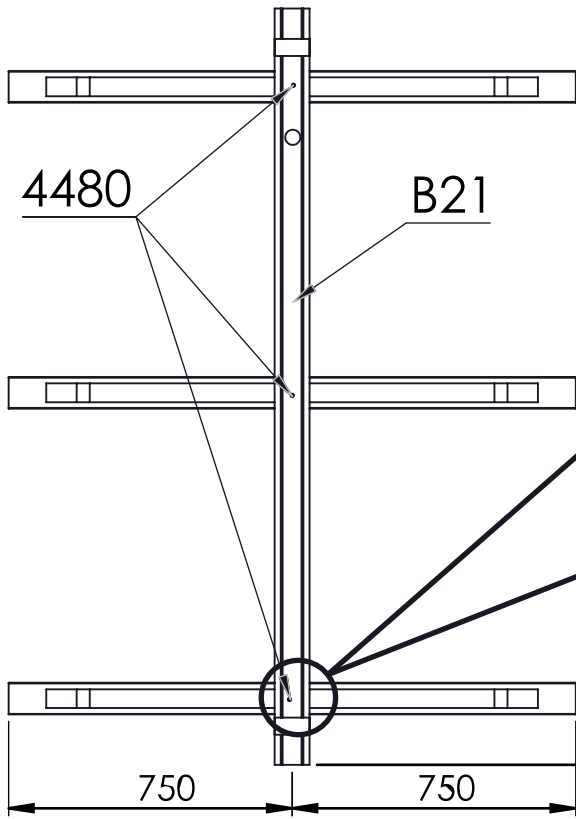
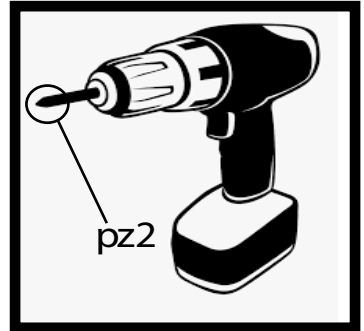


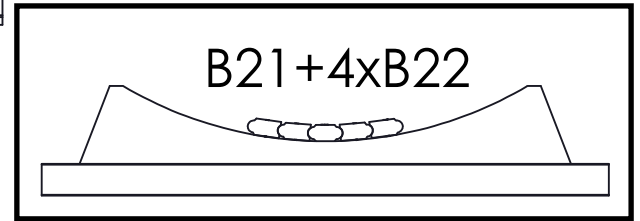
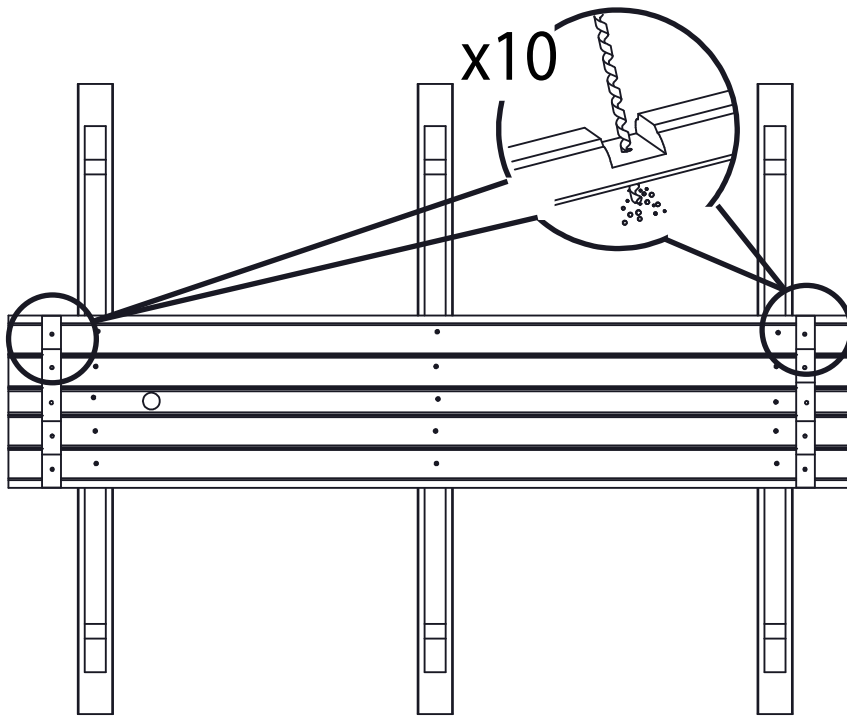


S2 - 3
G12

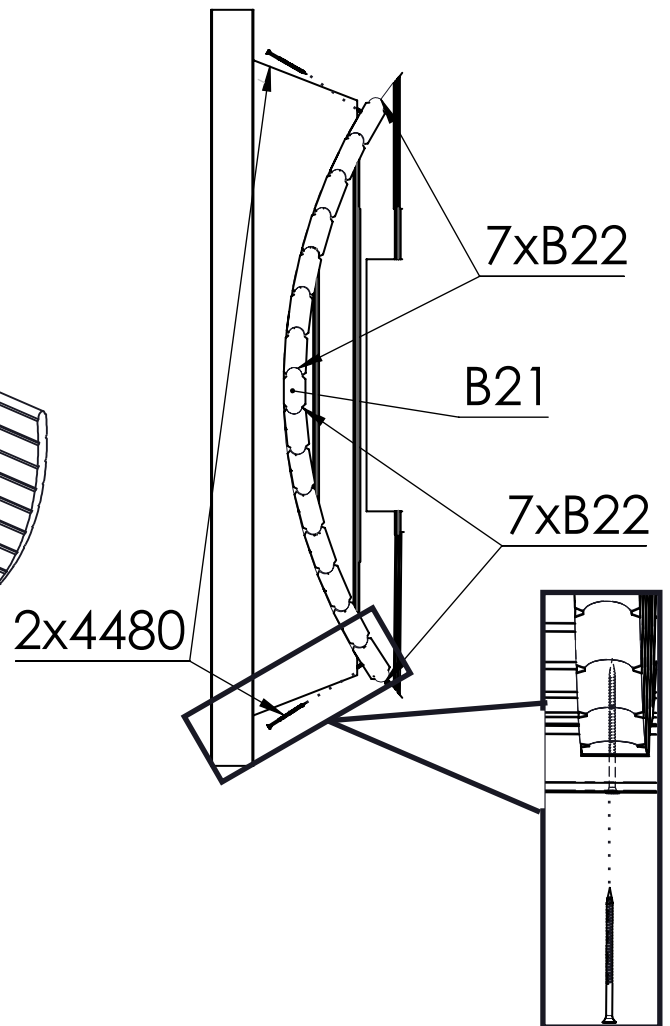
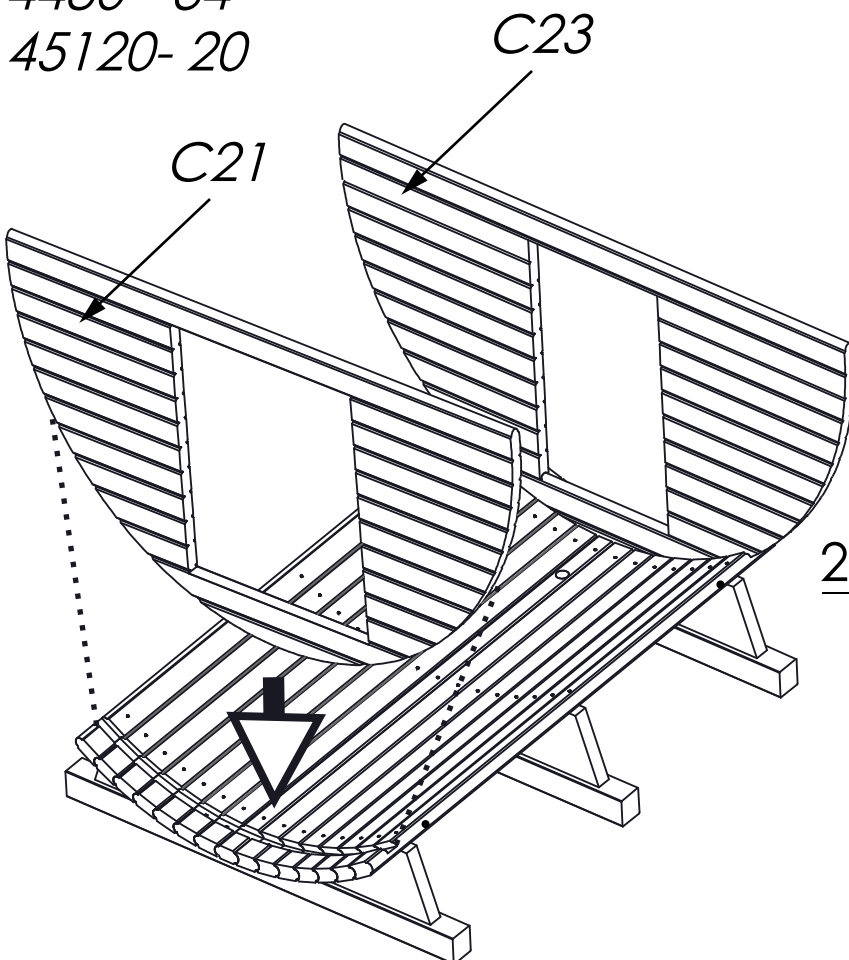


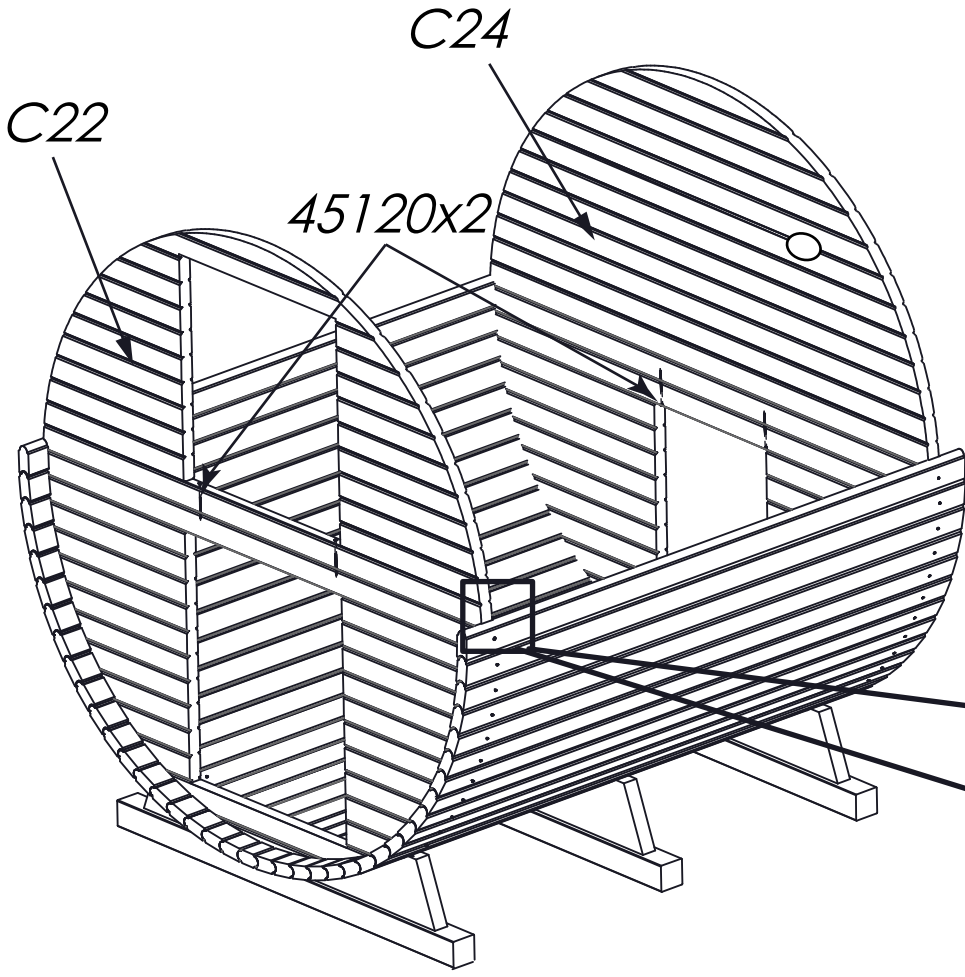
B21 - 1
B22 - 4
4480 - 15
45120 - 8
G12 - only out side!



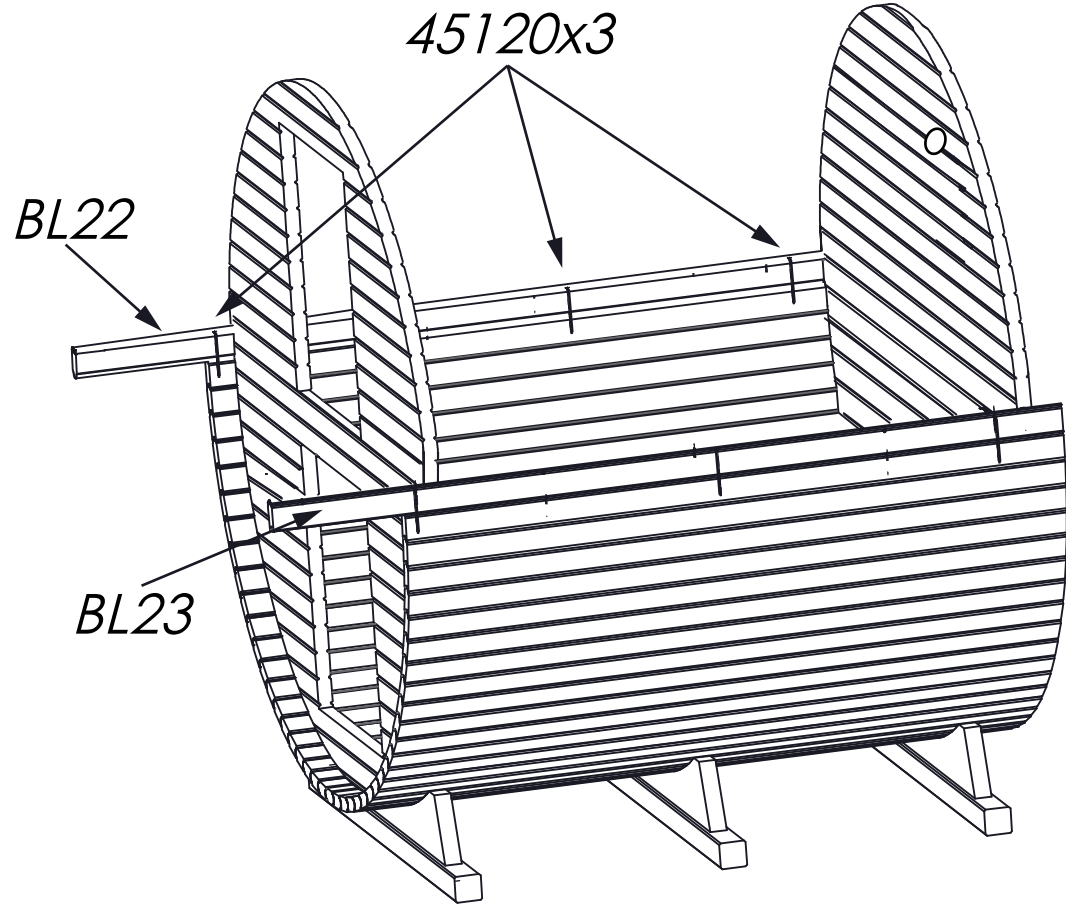
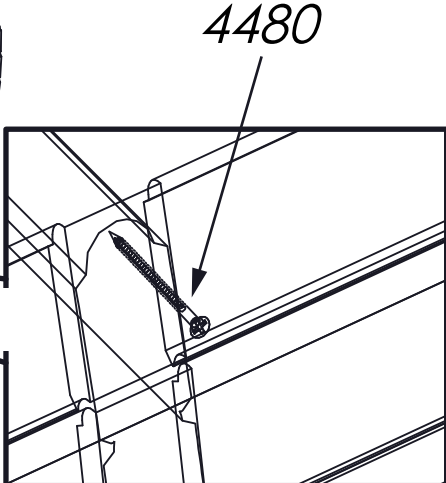


- B22 - 10
 C21 - 1
 C23 - 1
 4480 - 34
 45120 - 20



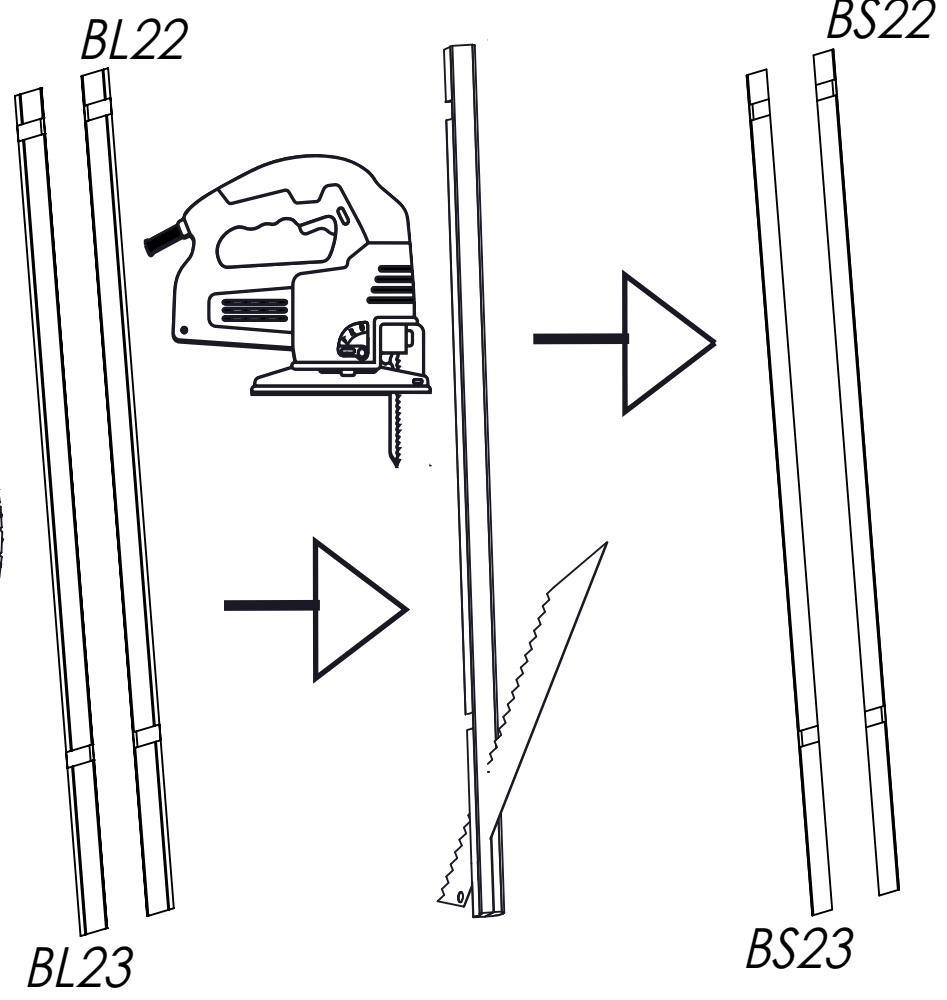
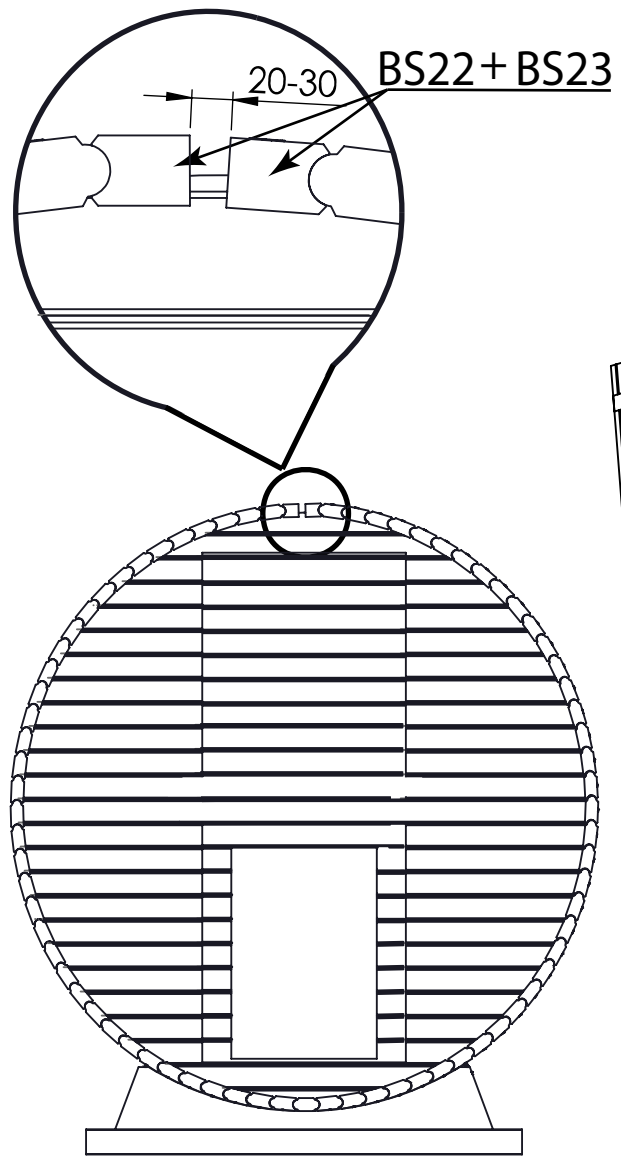
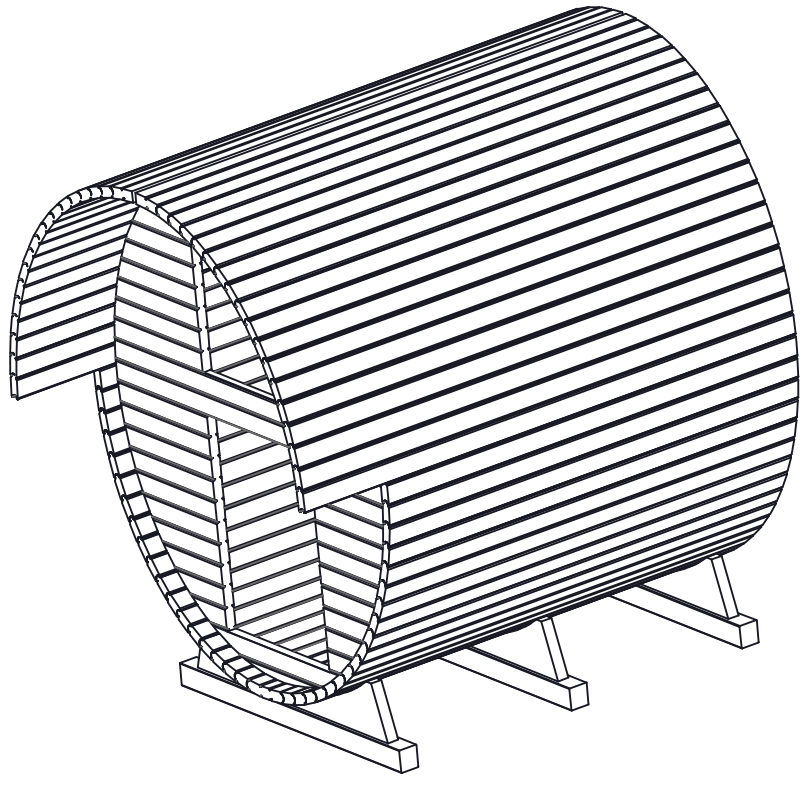
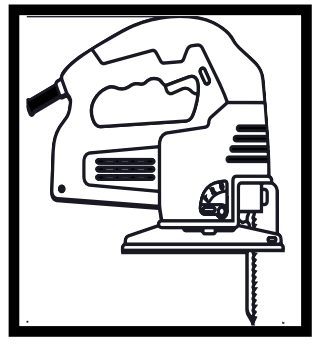


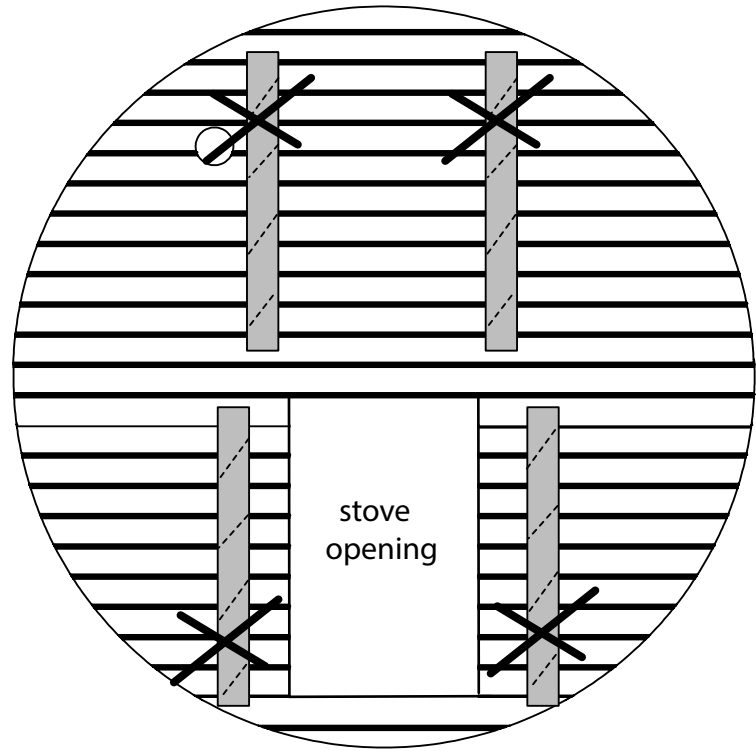
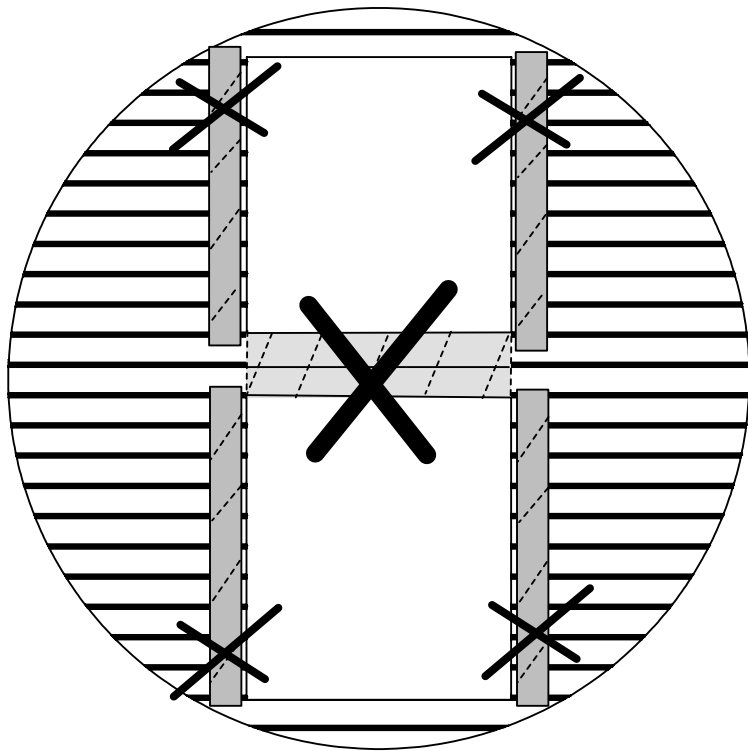
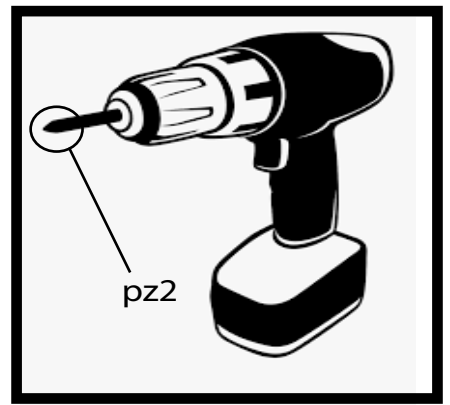
- C22- 1
- C24- 1
- B22 - 24
- 4480 - 48
- 45120 - 52



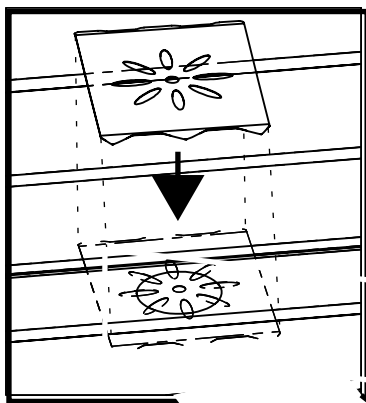
- BL22 - 1
- BL23 - 1
- 4480 - 4
- 45120 - 6

BL22 - 18
BL23 - 18
4480 - 76
45120- 108





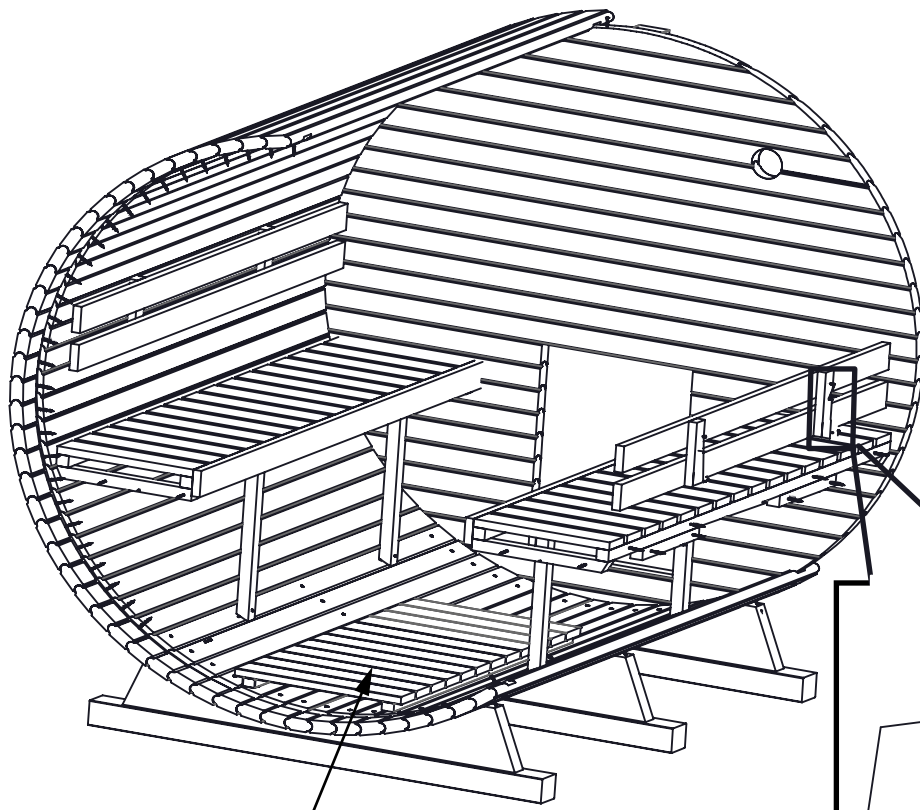
Q1 - 1



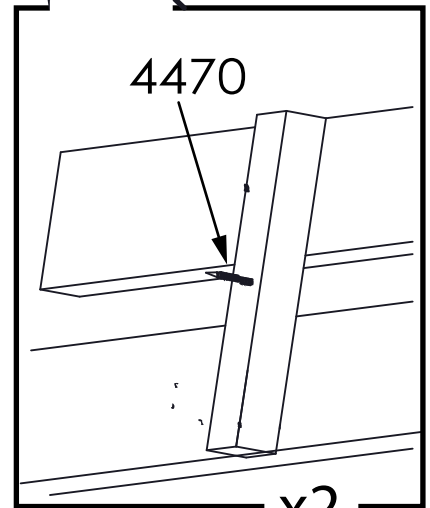
B21



- P1110 - 1
- H1650 - 2
- S1750 - 2
- R425 - 12
- 4470 - 36

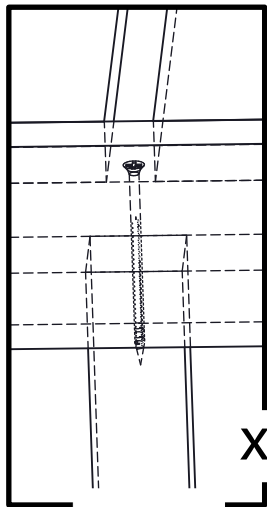


P1110



4470

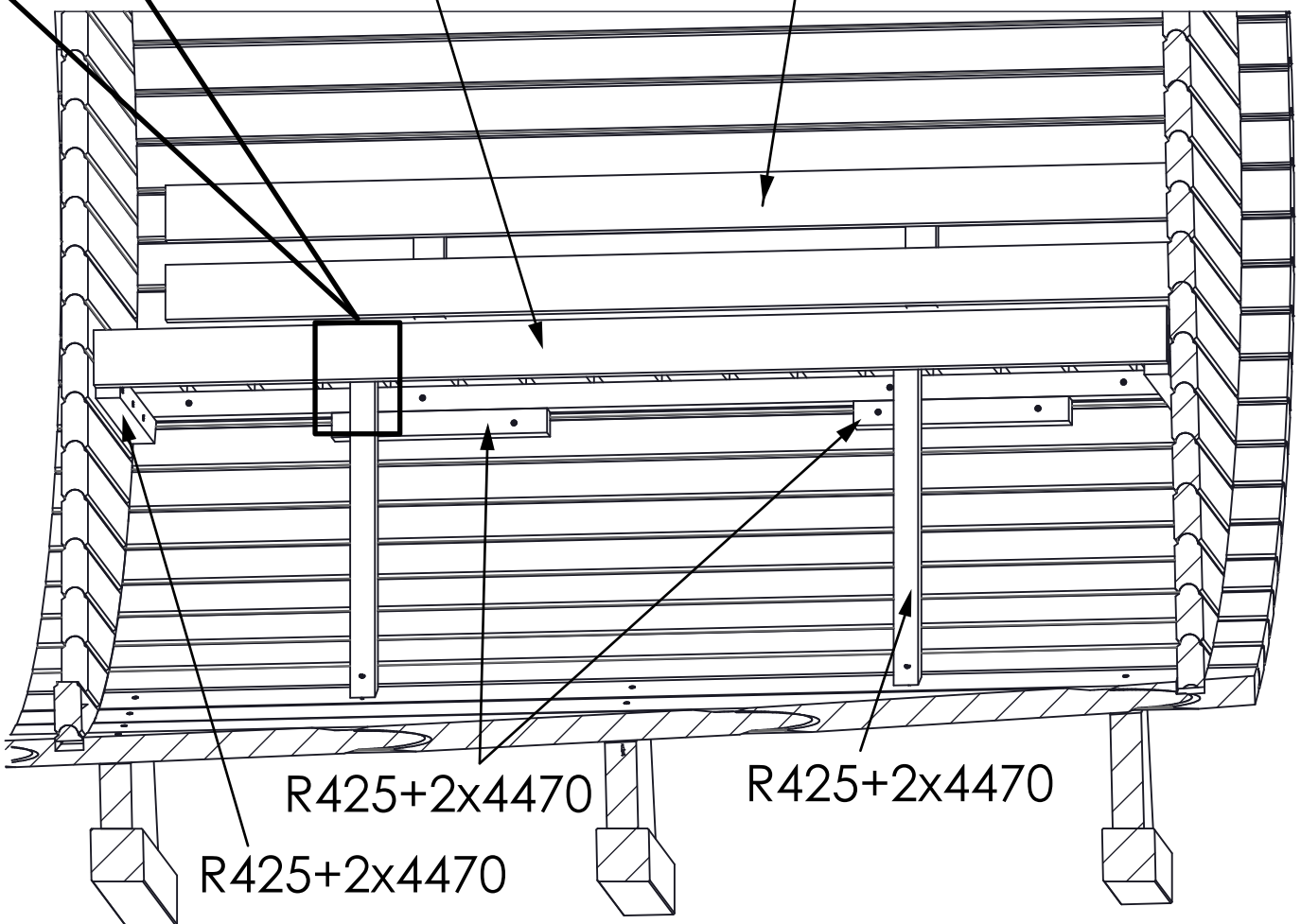
x2



x2

S1750+4x4470

H1650+2x4470

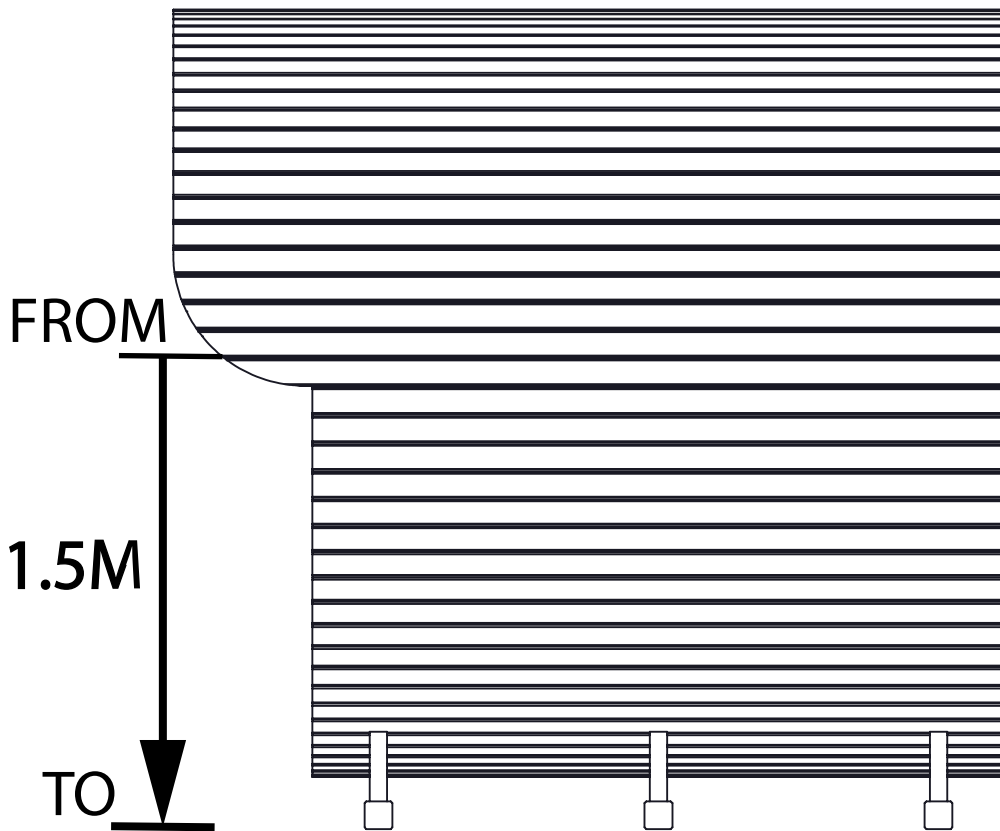
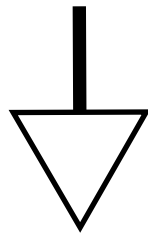
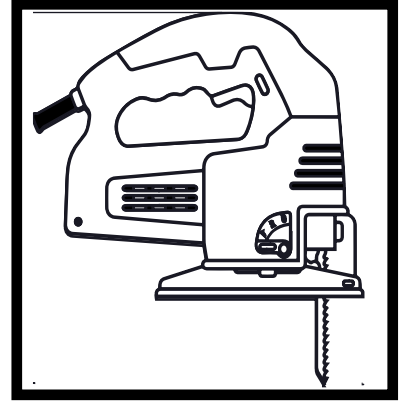
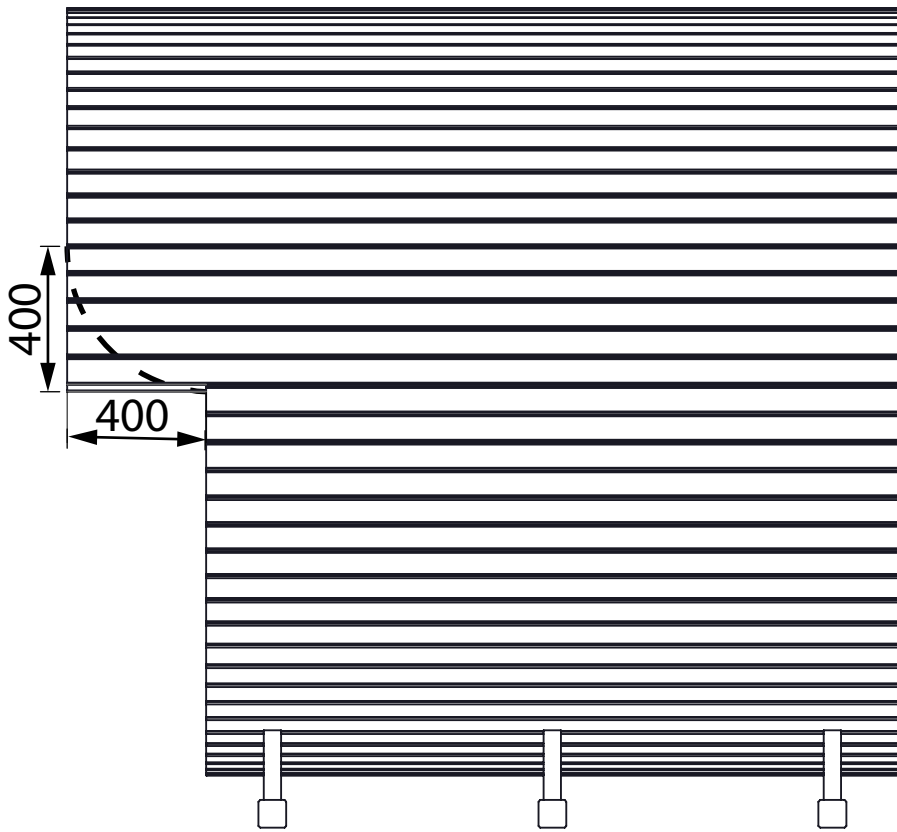


R425+2x4470

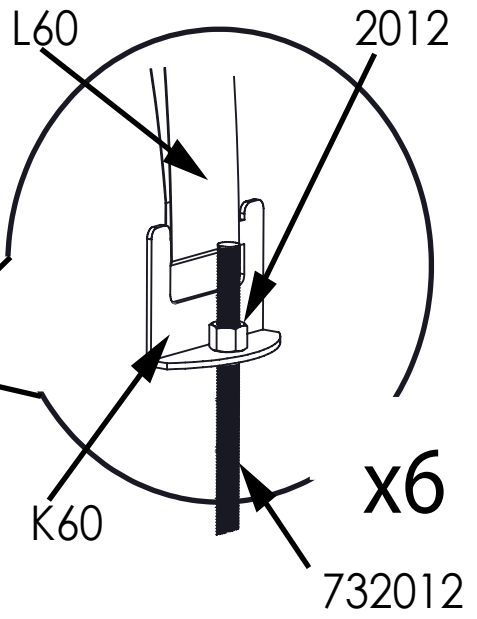
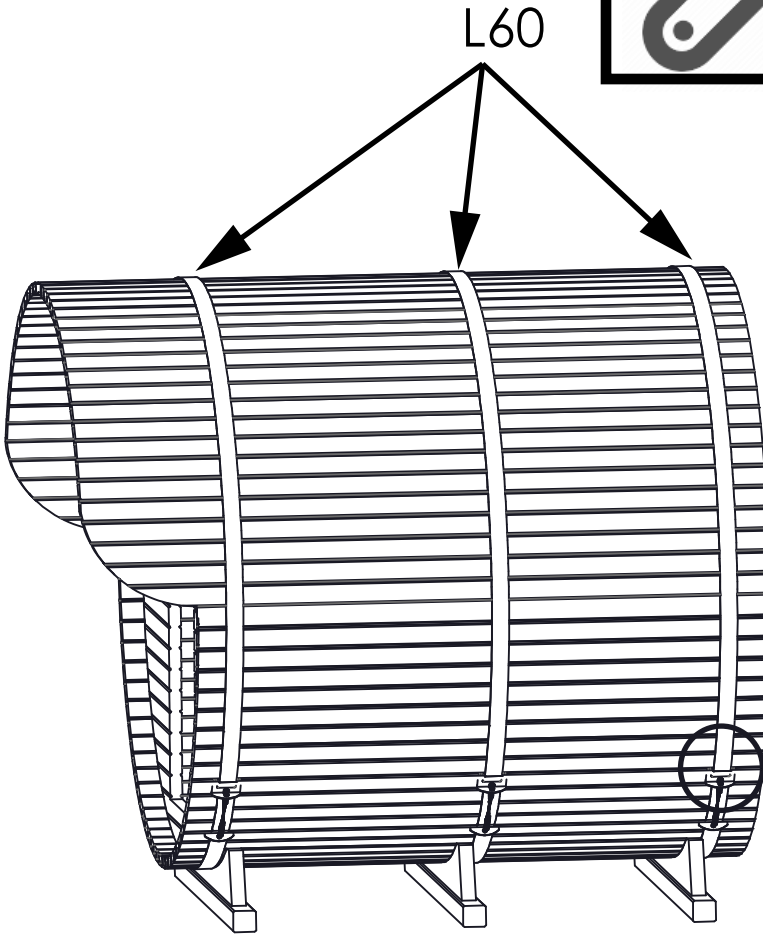
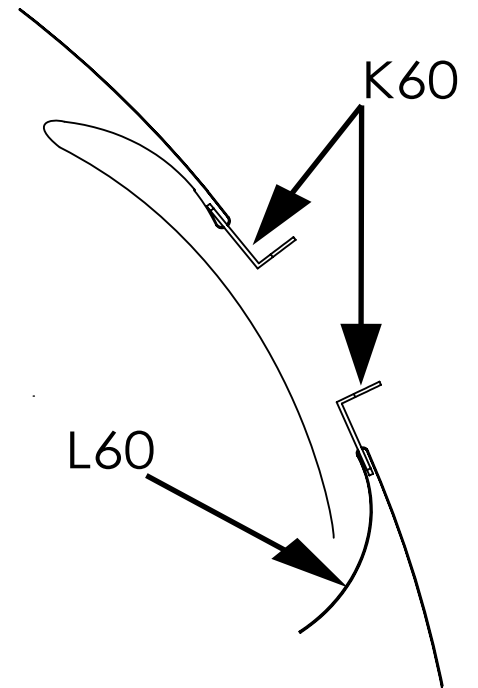
R425+2x4470

R425+2x4470

G12 - only out side!



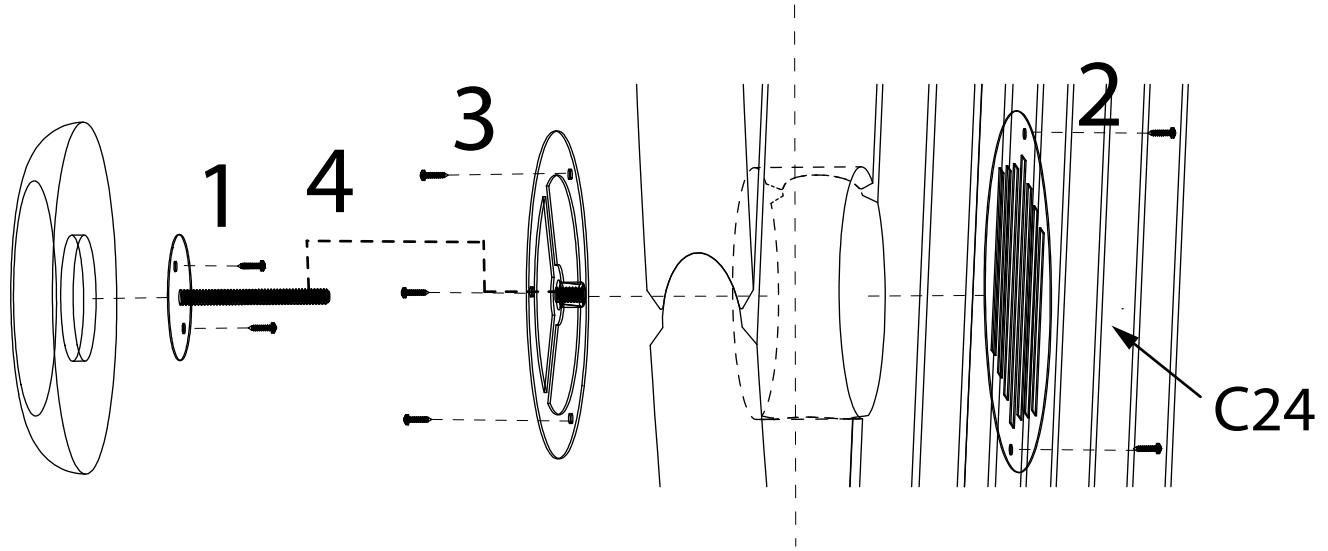
L60 - 3
K60 - 6
2012 - 6
732012 - 3



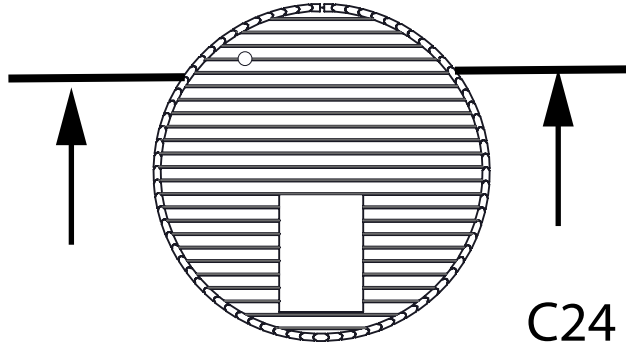
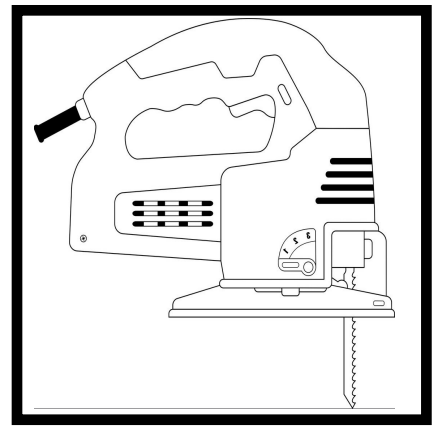
SET3

IN

OUT

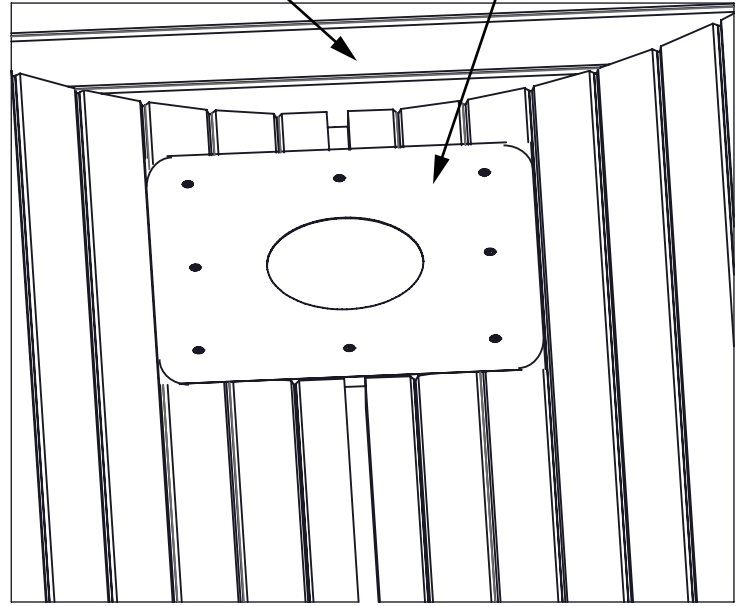
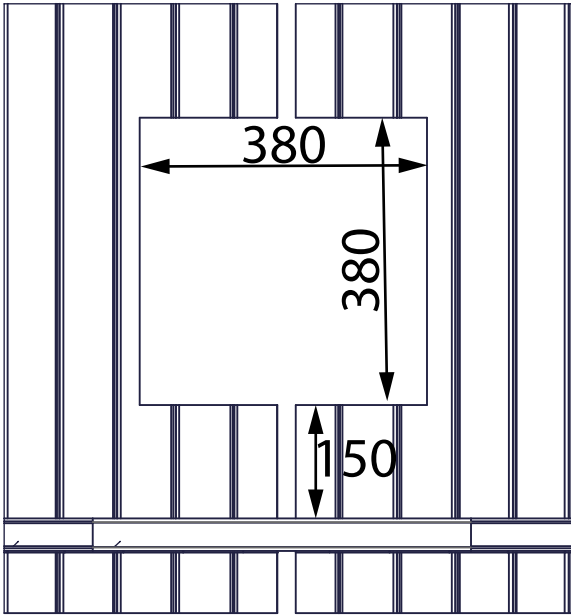


Q2 - 1
4232 - 8



C24

Q2+4232x9

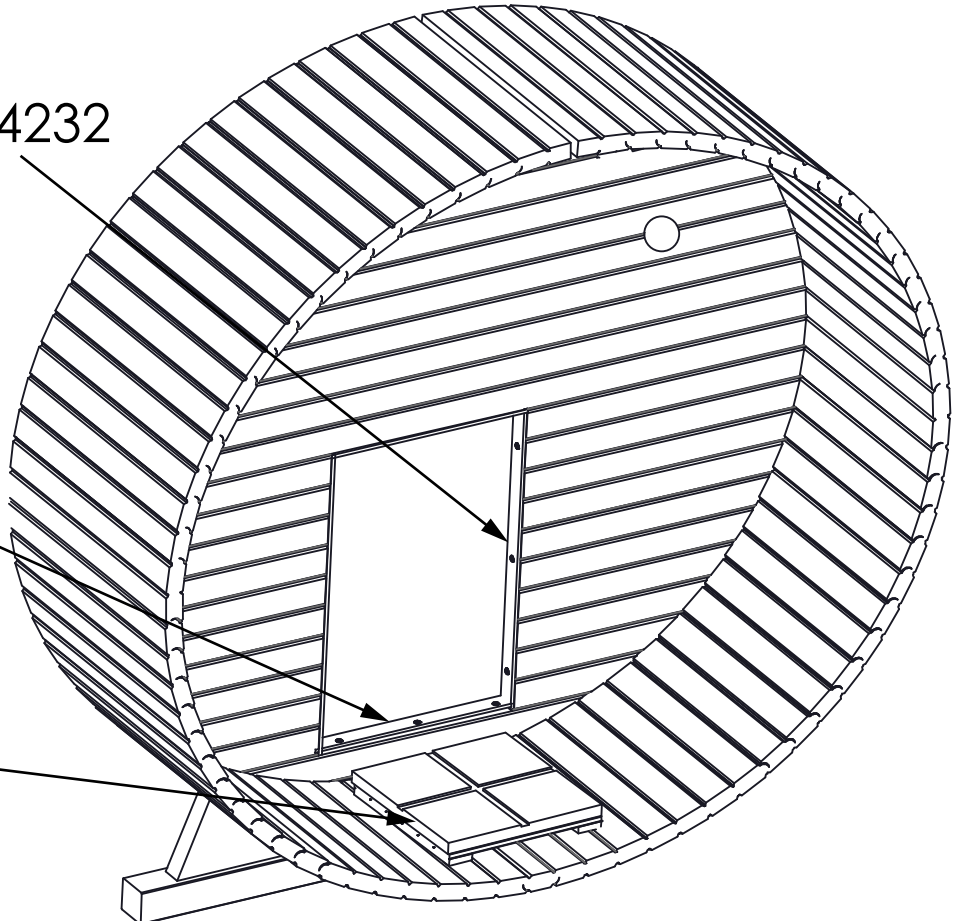


I500 - 2
I800 - 2
T500 - 1
4232 - 12
F - 1

I800+3x4232

I500+3x4232

T500+F

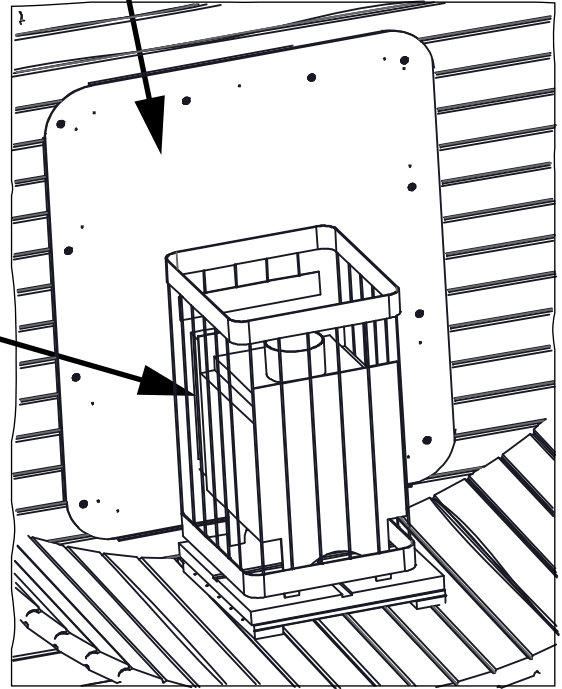


- G1 - 1
- G2 - 1
- G3 - 1
- G4 - 1
- G10 - 70%
- Q3 - 1
- Q4 - 1
- 4232 - 22

Q3+4232x10

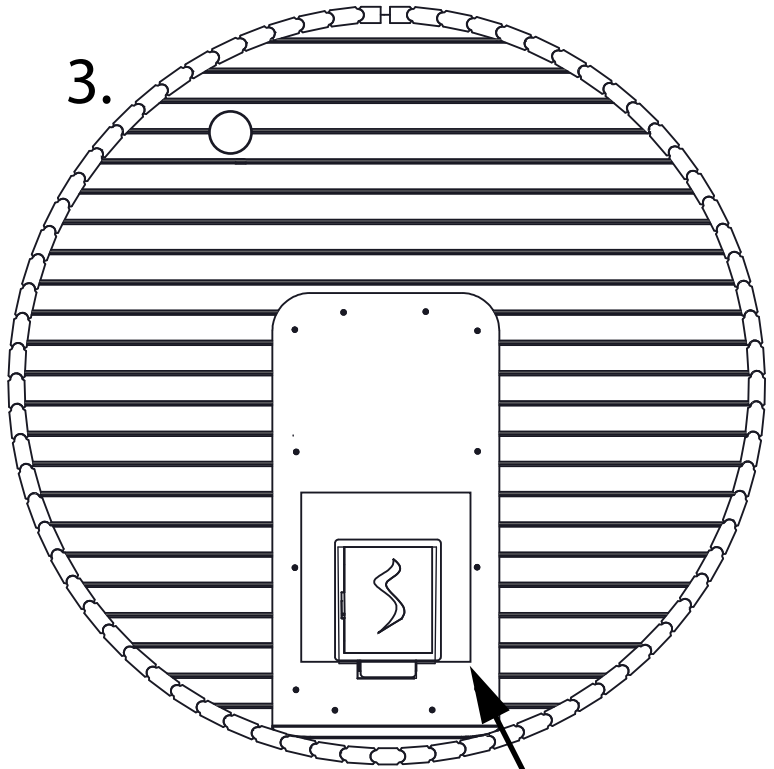
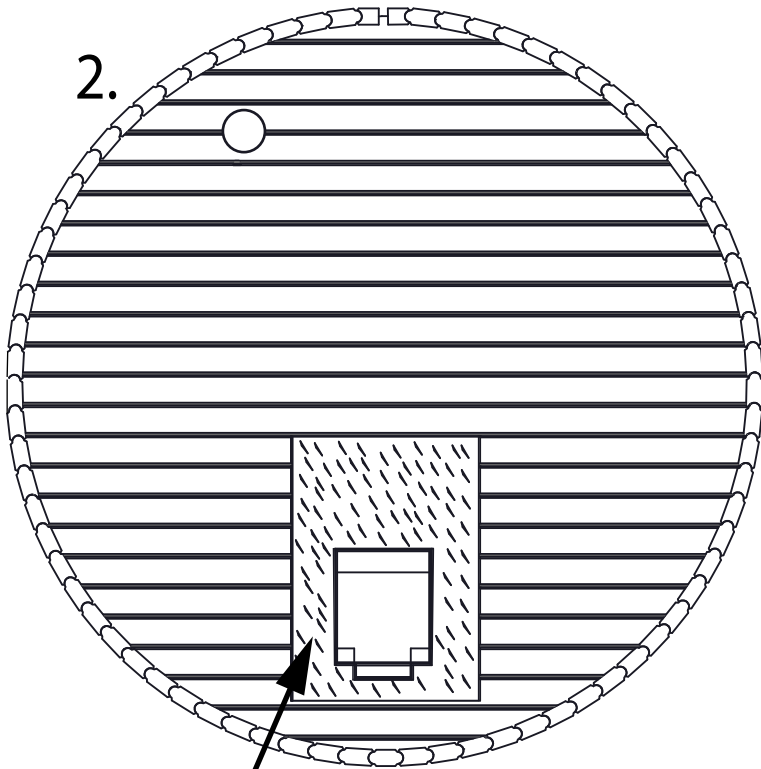
1.

G1+G4



2.

3.



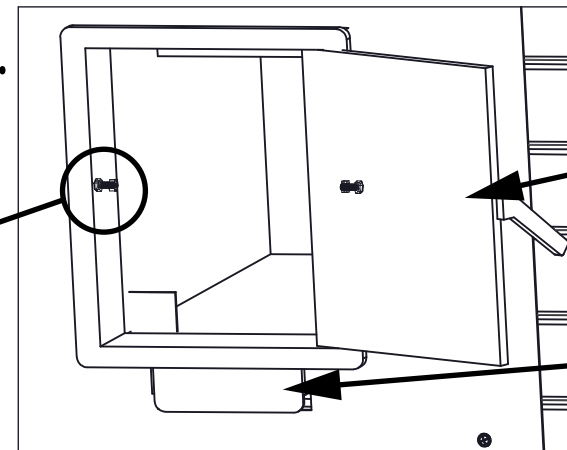
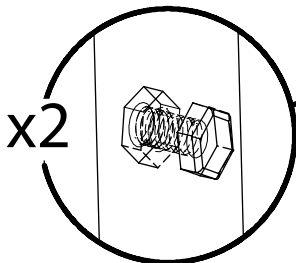
G10

5.

Q4+4232x12

G2

G3



G5 - 1
G6 - 1
G7 - 1



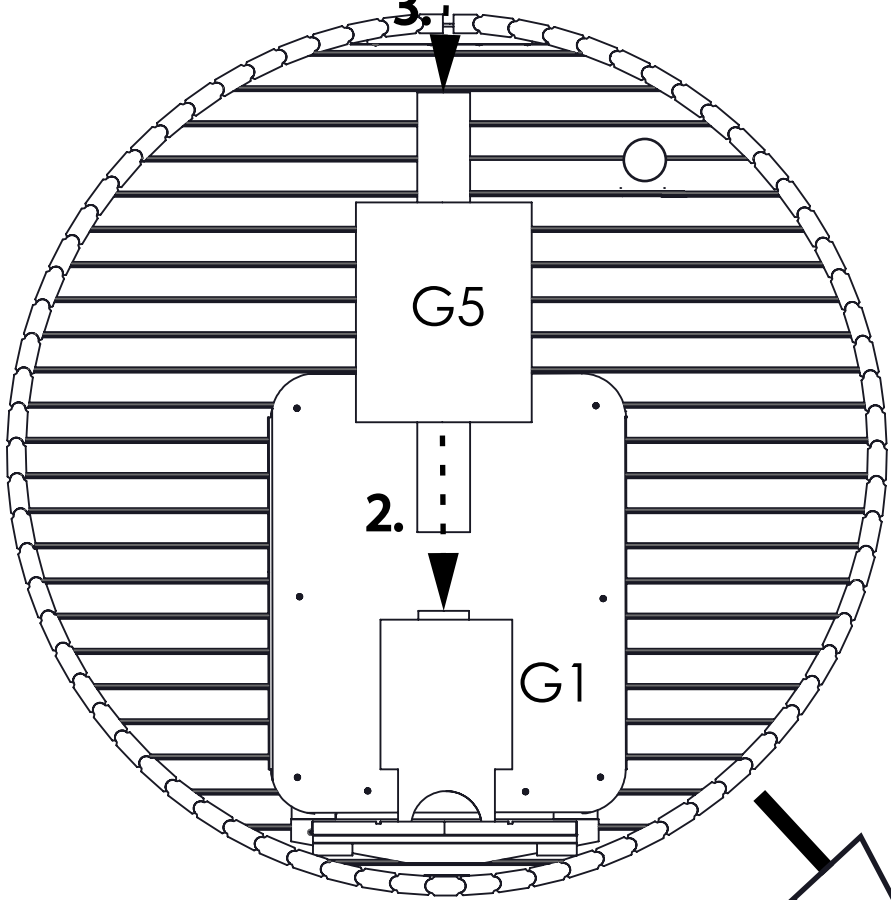
G7

1.



G6

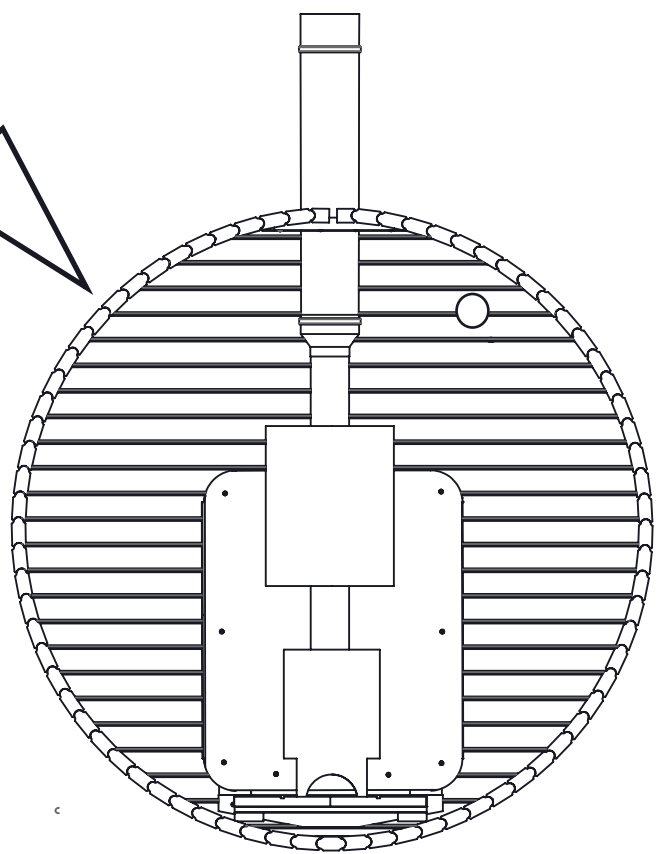
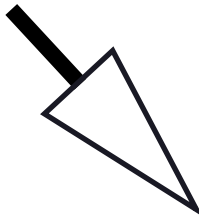
3.



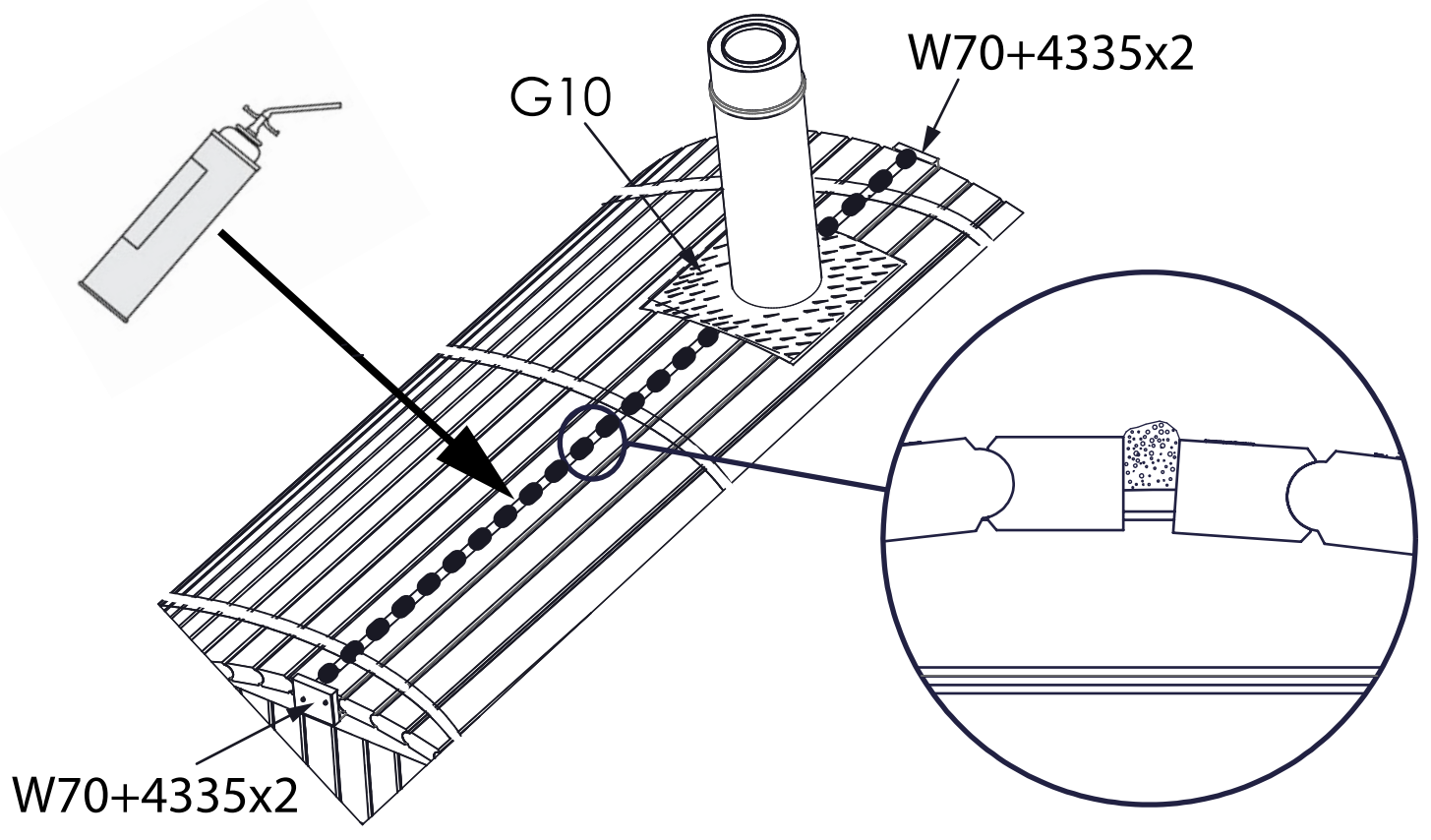
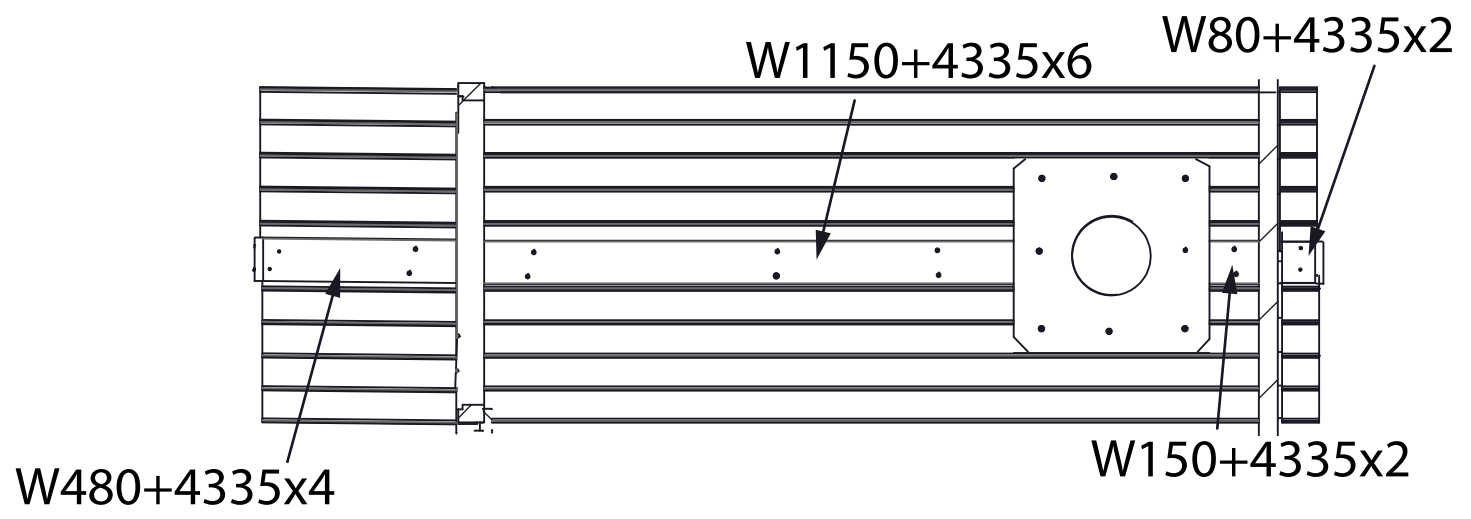
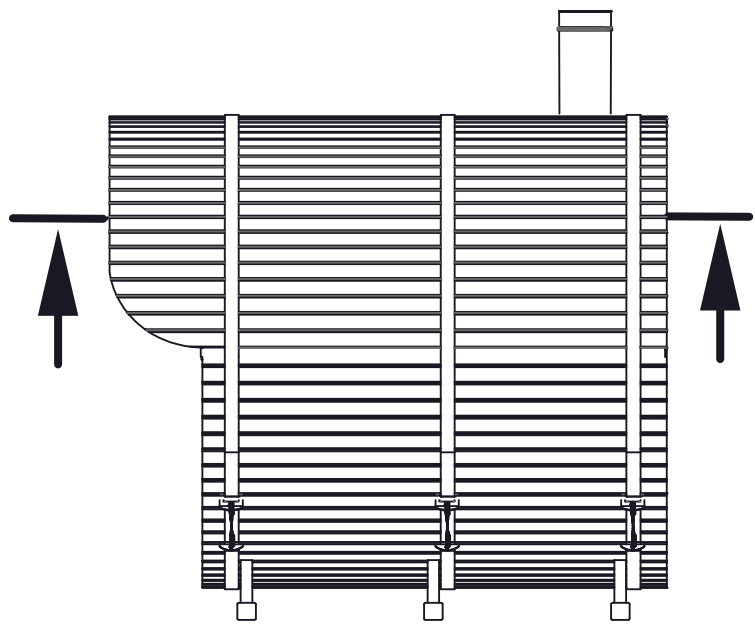
G5

2.

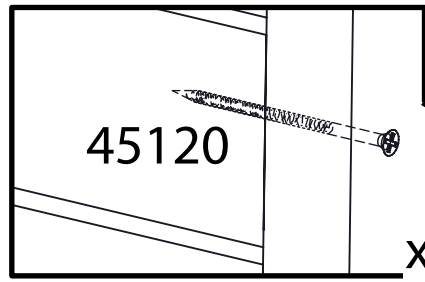
G1



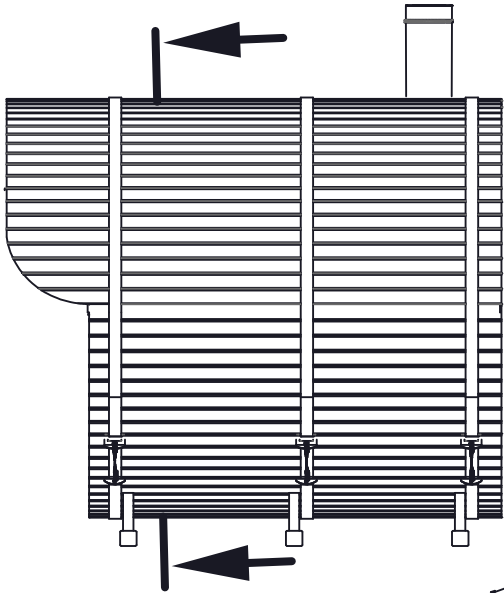
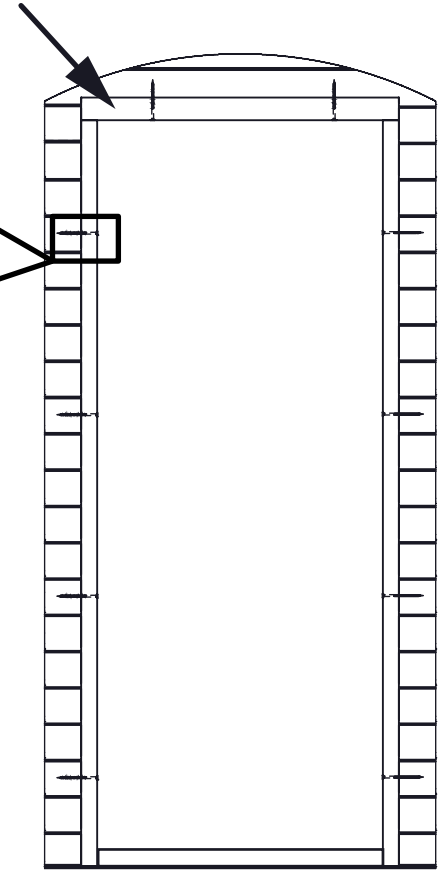
- W1150 - 1
- W150 - 1
- W480 - 1
- W80 - 1
- W70 - 2
- 4335 - 18
- G10
- G11



DR1600 - 1
D1600 - 1
W1600 - 2
WS1670 - 2
W780 - 2
45120 - 10
4335 - 26



DR1600

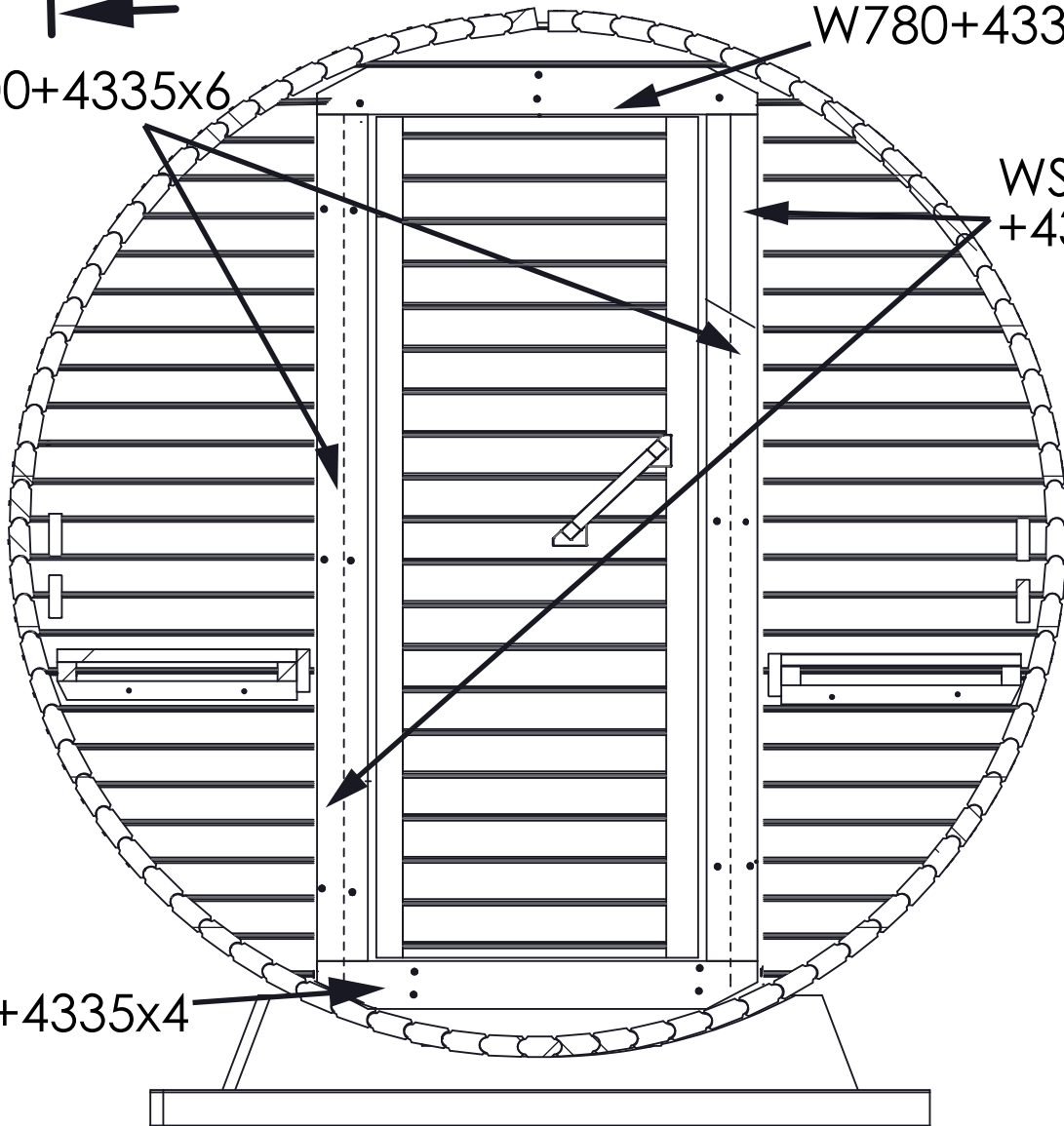


W1600+4335x6

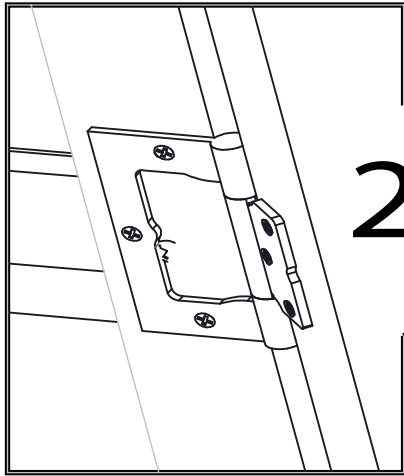
W780+4335x4

WS1670
+4335x3

W780+4335x4

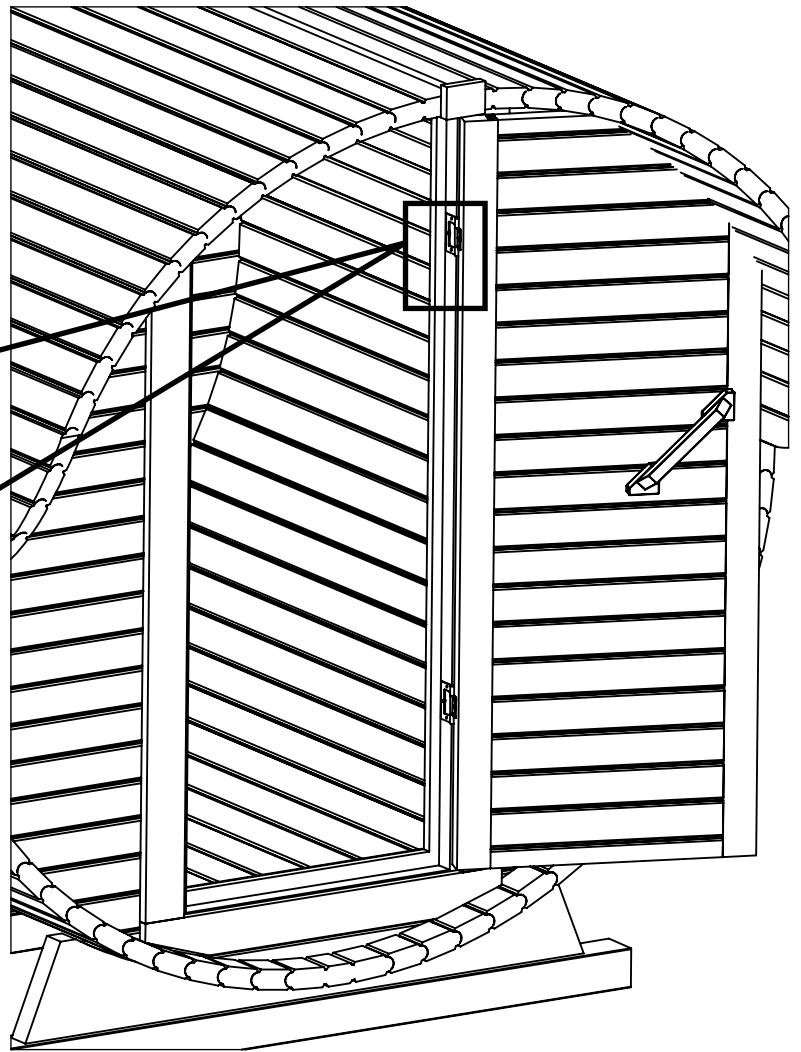


D1600 - 1
80801 - 2
4335 - 24
SET1 - 1



2x

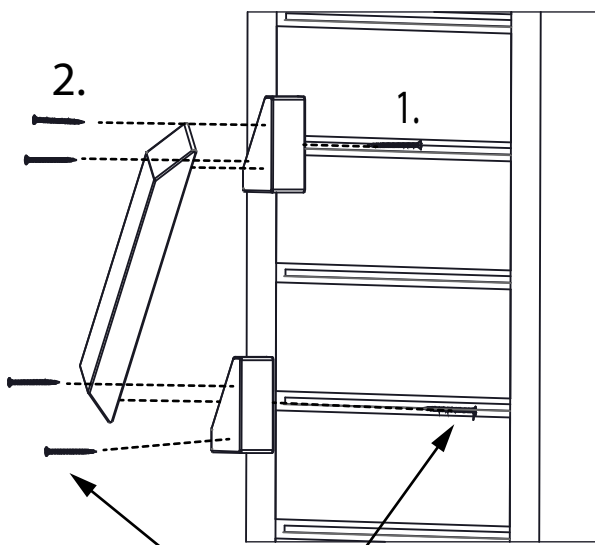
80801+6x4335



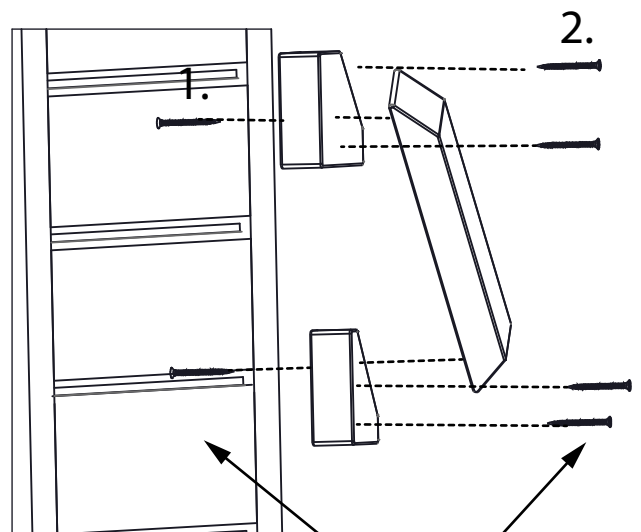
SET1

IN

OUT

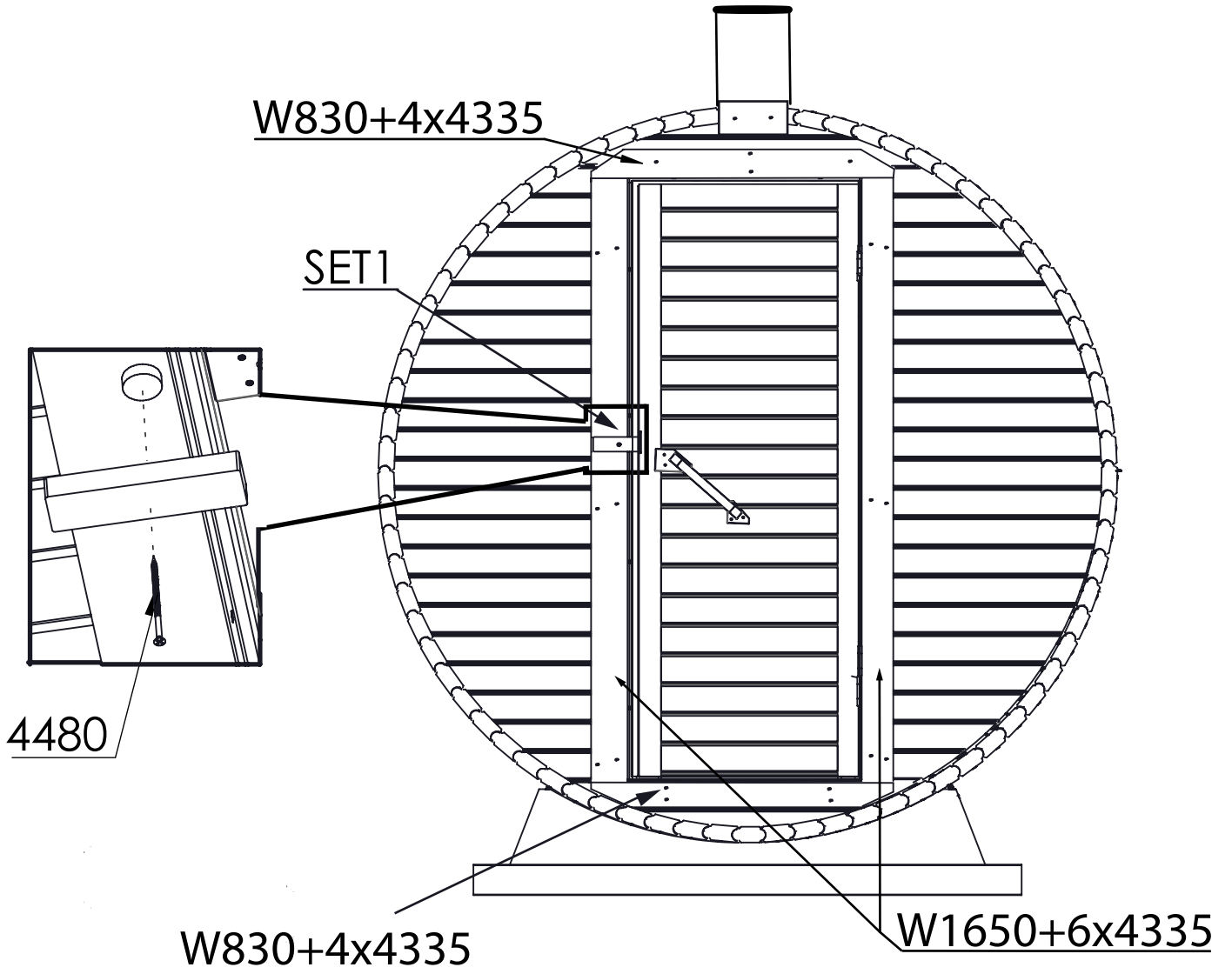


4335x6

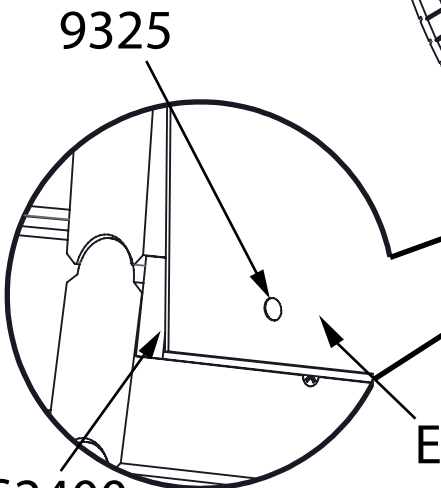
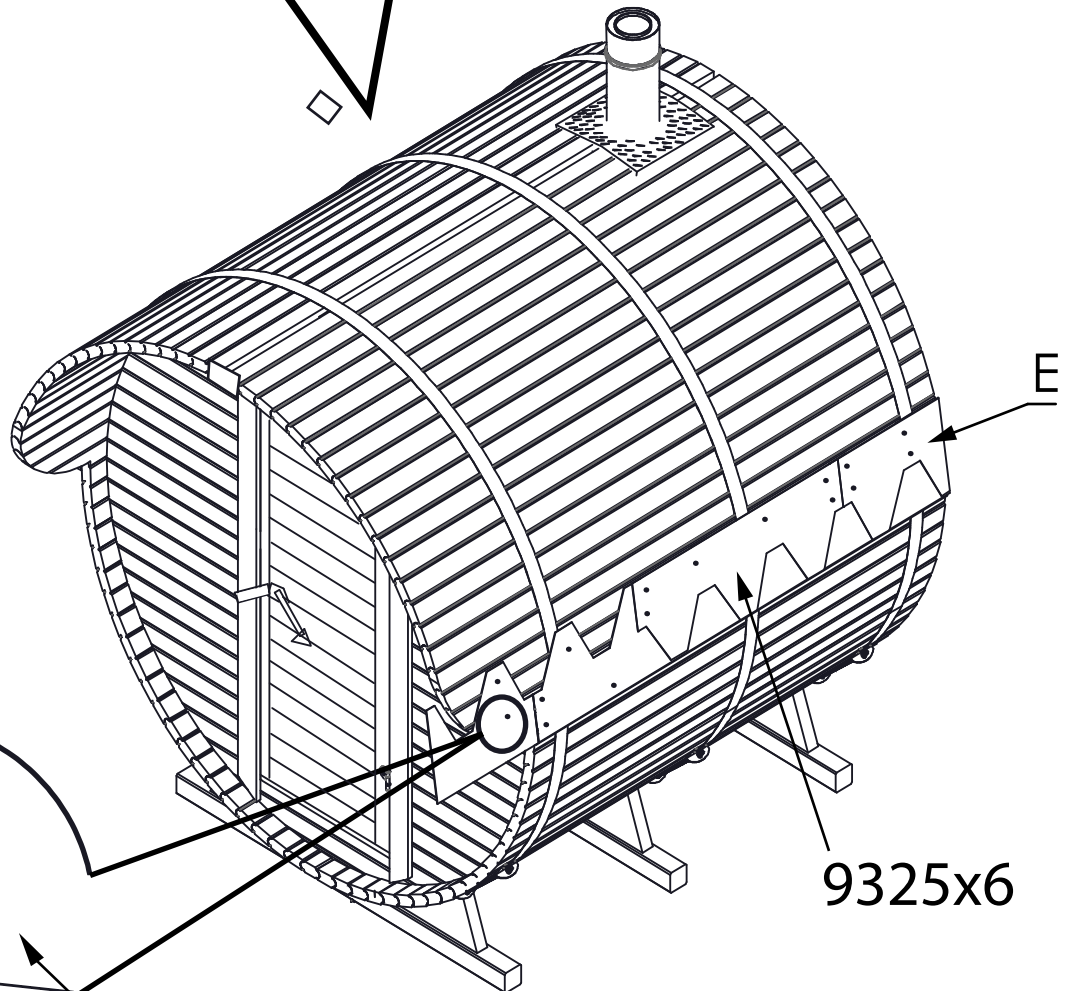
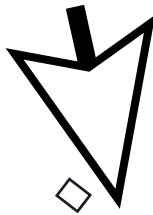
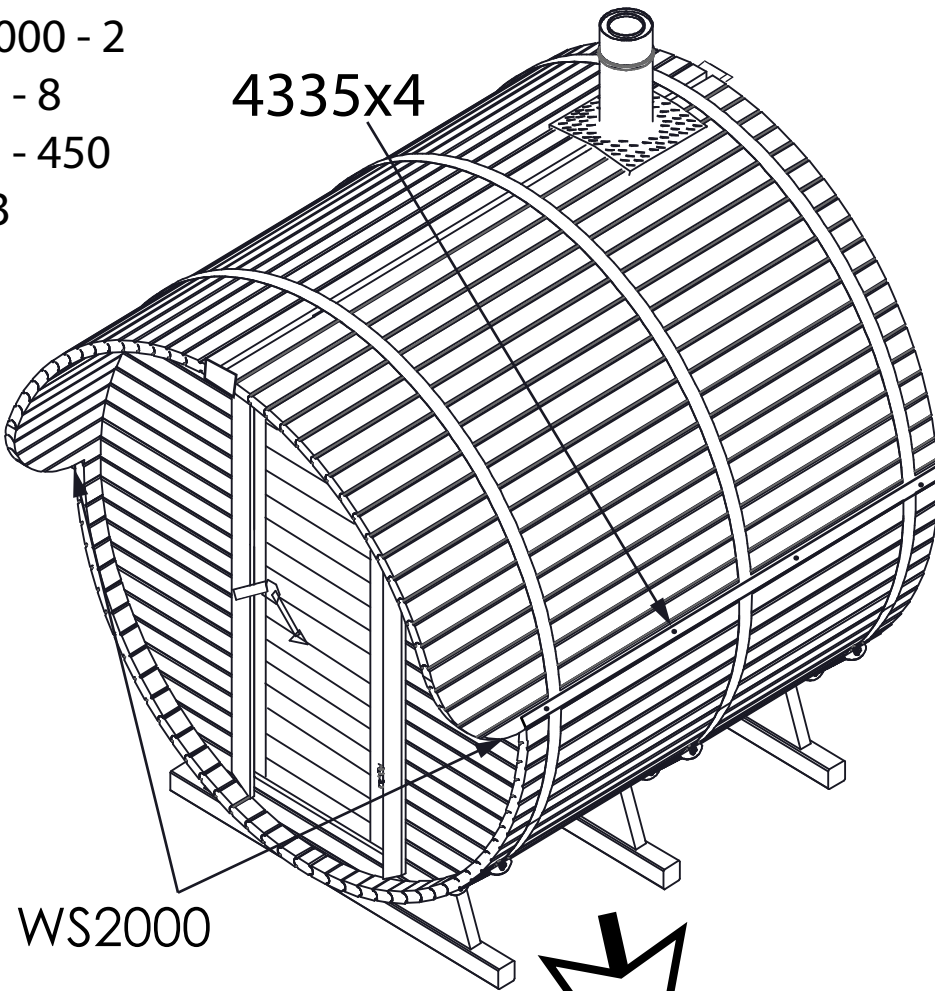


4335x6

W830 - 2
W1650 - 2
4480 - 1
4335 - 20

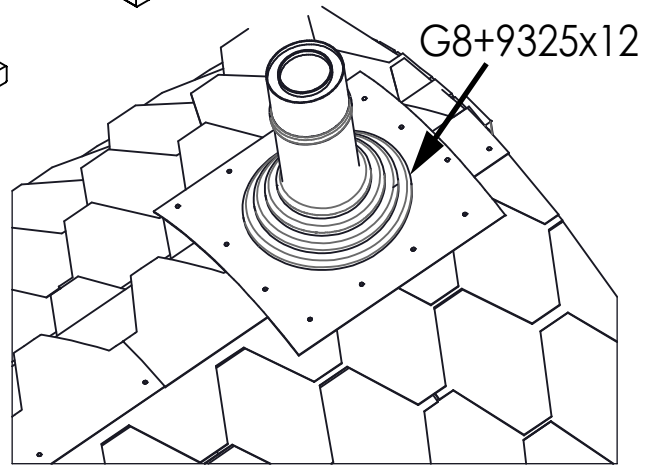
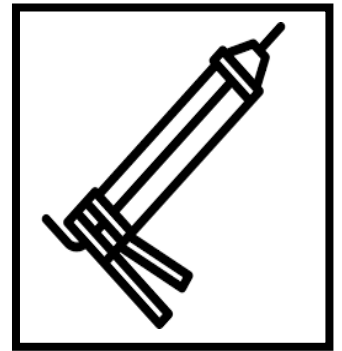
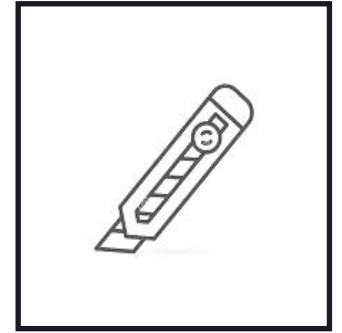
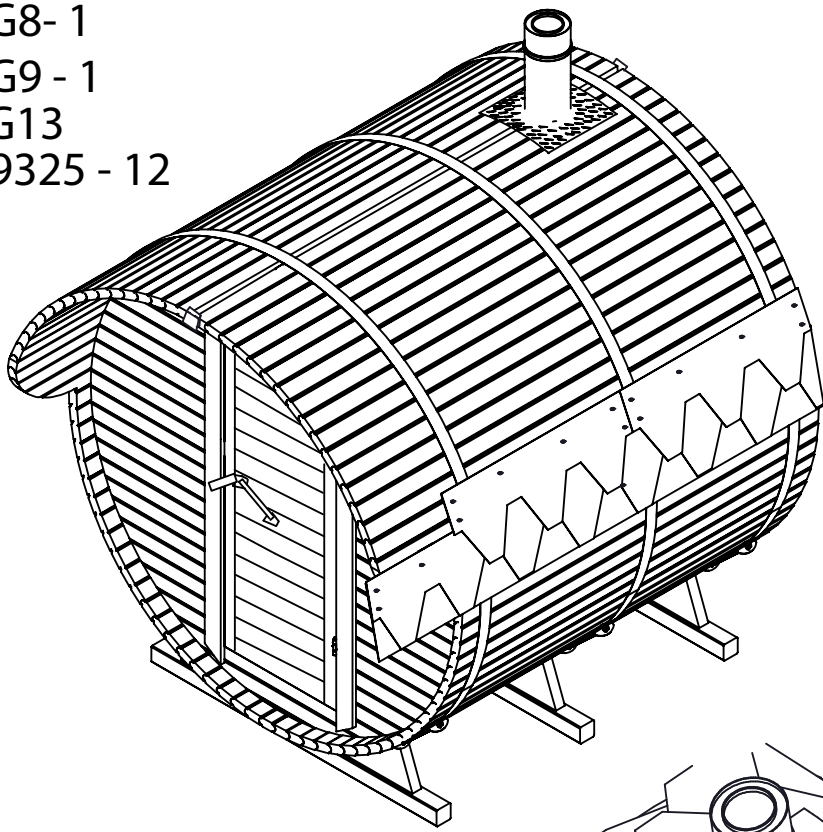


WS2000 - 2
4335 - 8
9325 - 450
E - 63



WS2400

G8- 1
G9 - 1
G13
9325 - 12



G9

