

# Tiandy



TC-C35MS Spec:I5/A/E/Y/M/H/2.7-13.5mm/V4.1

## 5MP Starlight Motorized IR Dome Camera

Pro Series



### KEY FEATURES

- Metal Housing
- Motorized Lens 2.7-13.5mm
- Up to 2880x1620@30fps
- S+265/H.265/H.264/M-JPEG
- Min. illumination Color: 0.002Lux@F1.6
- Smart IR, IR Range: 50m
- Support Human/Vehicle Classification
- Support Face Capture Mode
- Built-in Mic, audio I/O 1/1, alarm I/O 2/1
- Operating Conditions -35°C~65°C, 0~95% RH
- DC12V, POE
- IP66, IK10



**Tiandy Technologies Co.,Ltd.**

Email: [sales@tiandy.com](mailto:sales@tiandy.com)

Tel: +86-22-58596065

Website: [en.tiandy.com](http://en.tiandy.com)

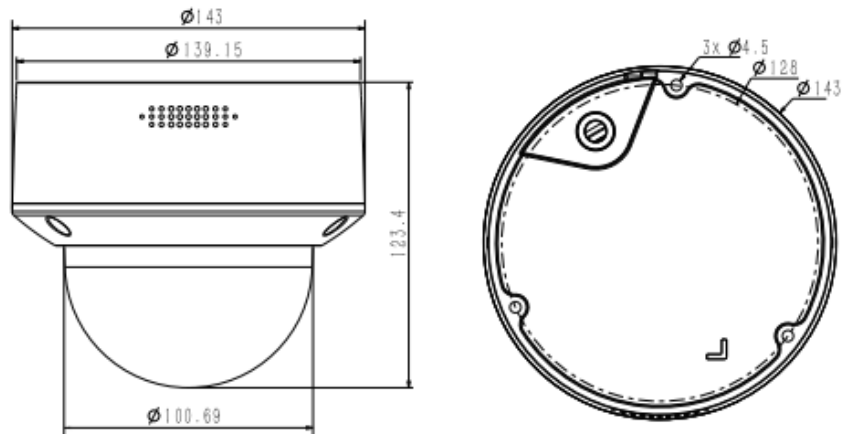
Fax: +86-22-58596048

## SPECIFICATIONS

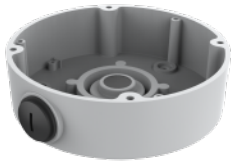
Camera	
Image Sensor	1/2.7"CMOS
Min. Illumination	Color:0.002Lux@(F1.6,AGC ON),B/W:0Lux with IR
Shutter Time	1s-1/100000s
Day&Night	IR-cut filter with auto switch (ICR)
WDR	120dB
S/N	>39dB
Angle Adjustment	0-345°;0-90°;0-350°
Lens	
Lens Type	Motorized
Focal Length	2.7-13.5mm
Lens Mount	Φ14
Aperture Range	F1.6,Fixed
Field of View	98.3°-32.2°(H);54.9°-18.2°(V);112.6°-37°(D)
DORI Distance	Detect:56m-240m Observe:22m-95m Recognize:11m-48m Identify:5.6m-24m
Illuminator	
IR LEDs	18
IR Distance	50m
Wavelength	850nm
White LEDs	N/A
Whitelight Distance	N/A
Compression Standard	
Video Compression	S+265/H.265/H.264B/H.264M/H.264H/Motion JPEG
Video Bit Rate	32k-16Mbps
Audio Compression	G.711A/G.711U/ADPCM_D/AAC_LC
Audio Sampling Rate	8kHz/32kHz/48kHz
Image	
Max. Resolution	2880x1620@30fps
Main Stream	PAL:25fps(2880x1620,2688x1520,2560x1440,2304x1296) 50fps(1920x1080,1280x720)
Sub Stream	PAL:25fps(704x576,704x288,352x288,640x360) NTSC:30fps(704x480,704x240,352x240,640x360)
Third Stream	PAL:25fps(1920x1080,1280x720,704x576,640x360,704x288,352x288) NTSC:30fps(1920x1080,1280x720,704x480,640x360,704x240,352x240)
BLC	Yes
HLC	Yes
AGC	Yes
3D DNR	Yes
White Balance	Auto/Semi-auto/Manual/Sunny/Natural light/Warm light/Sodium lamp/Incandescent lamp/Locked white balance
ROI	8 regions
Corridor mode	Yes
EIS	N/A
OSD	5regions;16*16/32*32/48*48/64*64/96*96
Picture Overlay	1 region
Privacy Mask	4 regions
Defog	Yes

Feature	
Alarm Trigger	Motion Detection;Mask Alarm;Voltage Alarm;Disk Full;Disk R/W Error;IP Address Conflict;MAC Address Conflict;FTP Server Exception ;Event Input, Event Output
Video Analytics	Human/Vehicle Classification;Tripwire;Double Tripwire;Perimeter;Object
Rules of behavior analyse in 1 scene	8
Early Warning(EW)	N/A
Face Mode	Face Capture
Face Detection Performance	Detects up to 32 faces at the same scene
Linkage Method	send email;trigger sound;trigger recording;trigger capture;notify surveillance center
Network	
ANR	ANR
Protocols	HTTP;HTTPS;TCP/IP;UDP;UPnP;ICMP;IGMP;SNMP;DHCP;DNS;DDNS;EasyDDNS;NTP;SMTP;SSL;802.1X;QoS;IPv4;IPv6;PPPOE;Unicast;Multicast;RTCP;ARP;RTP;SRTP;RTSP;FTP;SFTP;NAS
System Compatibility	ONVIF Profile S/T/G/M;CGI;Milestone;RTMP
Remote Connection	≤2
Client	Easy7 Smart Client
Moblie Client	EasyLive Plus
Web	IE10+;Firefox52+;Edge89+;Safari11+;Chrome57+
Interface	
Communication Interface	1 RJ45 10M/ 100M self adaptive Ethernet port
Audio I/O	1channel in;1channel out
Alarm I/O	2channel in,3mA,3.3VDC;1channel out,1A,24VDC
Built-In Mic	Yes
Built-In Speaker	N/A
Reset Button	Yes(built-in)
On-board storage	Built-in Micro SD card slot, up to 512 GB
Additional interfaces	RS-485
General	
Web Client Language	19languages Simple Chinese/Traditional Chinese/English/Spanish/Korean/Italian/Turkish/ Russian/Thai/French/Polish/Dutch/Hebrew/Arabic/Vietnamese/German/Ukrainian/ Portuguese/Albanian
Operating Temperature	-35°C-65°C
Operating Humidity	0-95%(non-condensing)
Storage Temperature	-35°C-65°C
Storage Humidity	0-95%(non-condensing)
Power Supply	DC12V±25%,MAX 8W;POE 802.3at,MAX 9W
Protection	Surge protection 2000V;Lightning proof 6000V;IP66;IK10
Boundary Dimensions	143(L)143(W)124(H)mm
Package Dimensions	250(L)180(W)175(H)mm
GrossWeight	1.16kg
NetWeight	0.88kg

## DIMENSIONS (Unit: mm)



## ACCESSORIES



TC-P54BM Spec:V3



A28



**Tiandy Technologies Co.,Ltd.**

Email: [sales@tiandy.com](mailto:sales@tiandy.com)  
Website: [en.tiandy.com](http://en.tiandy.com)

Tel: +86-22-58596065  
Fax: +86-22-58596048