



(RU) Инструкция по сборке

(GB) Assembly instructions

(D) Montageanleitung

(FR) Notice de montage

(IT) Istruzioni di montaggio

(NL) Handleiding voor de montage

(CZ) Montážní návod

(PL) Instrukcja montażu

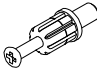


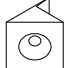
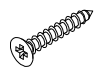


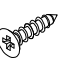


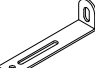



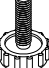


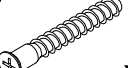
(SK) Návod na montáž

(HU) Montaj talimati

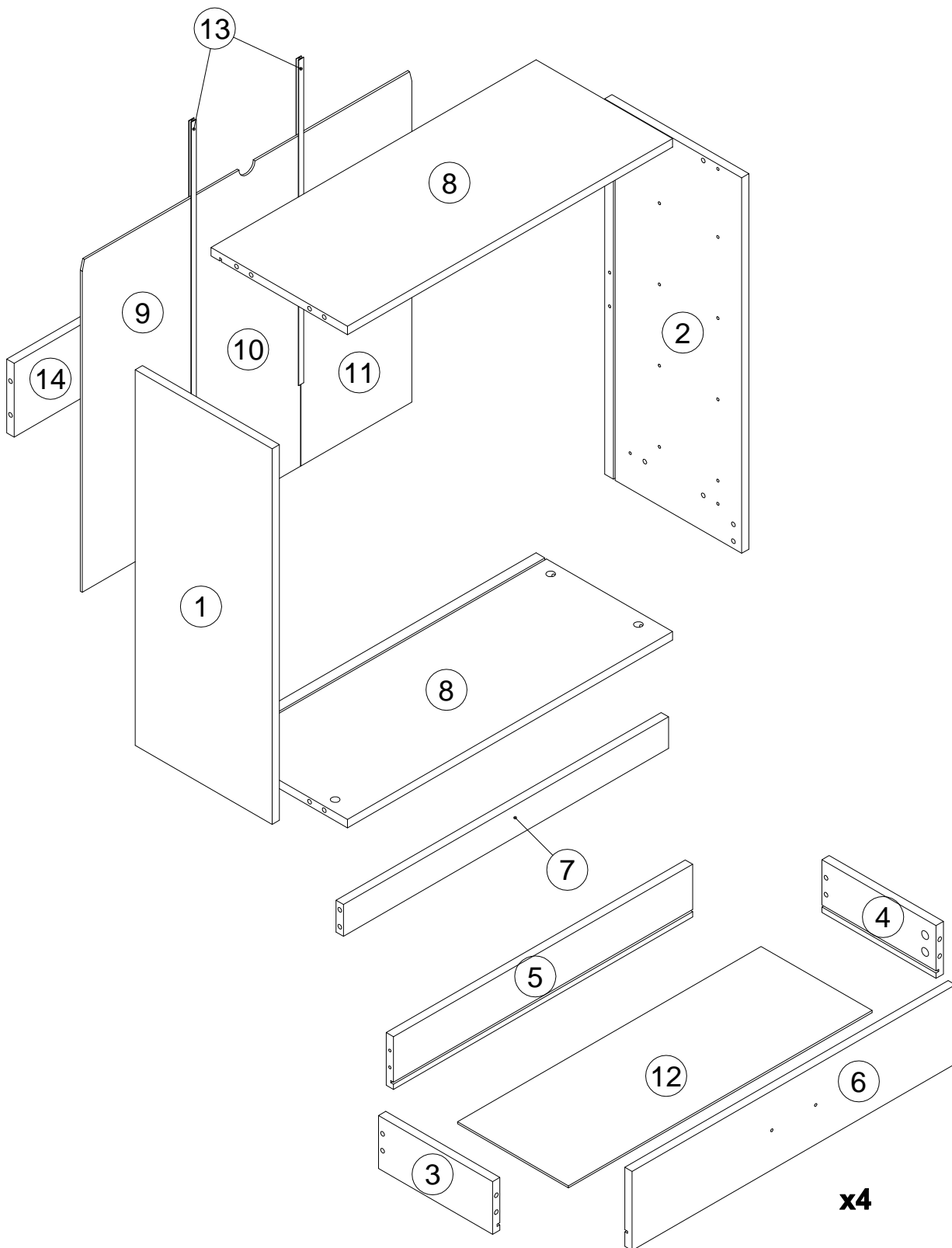
(RO) Instrukțiuni de montaj

(TR) Szerelési útmutató

0
10
20
30
40
50
60
70
80
90
100

A 090913  7x32 x28	B 000146  15x12 x28	C 000151  8x35 x12	D 135021  x36	E 000759  3x20 x36	F 167332  L250 x4
G 235593  6x8 x16	H 000767  3x13 x24	I 006911  x4	J 002704  M4x20 x8	K 155999  x1	L 000754  3.5x16 x2
M 013859  8x40 x1	N 099942  4x45 x1	O 007085  M6 x4	P 007086  M6 x4	Q 100640  20x0.5 x16	R 101608  7x50 x16

N	LxBxH (mm)	Qty	✓	N	LxBxH (mm)	Qty	✓
1	712x300x16	1		8	712x299x16	2	
2	712x300x16	1		9	629x234x3	1	
3	250x100x16	4		10	629x243x3	1	
4	250x100x16	4		11	629x243x3	1	
5	655x100x16	4		12	665x243x3	4	
6	708x150x16	4		13	617	2	
7	712x60x16	1		14	712x140x16	1	



1

A 090913 7x32 **x12**

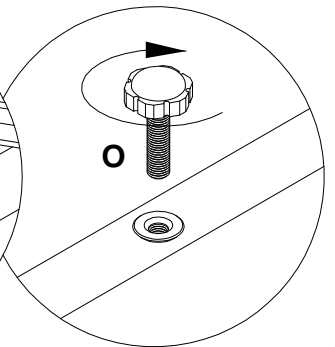
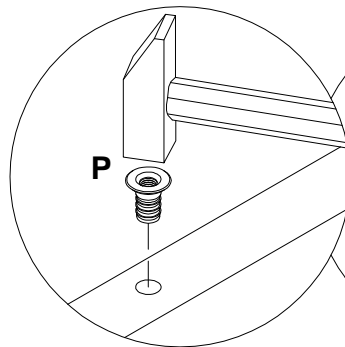
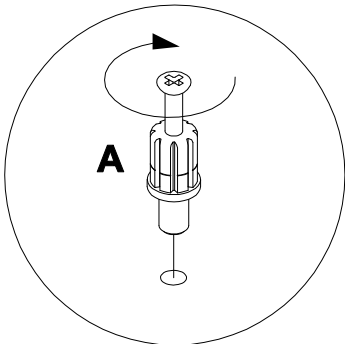
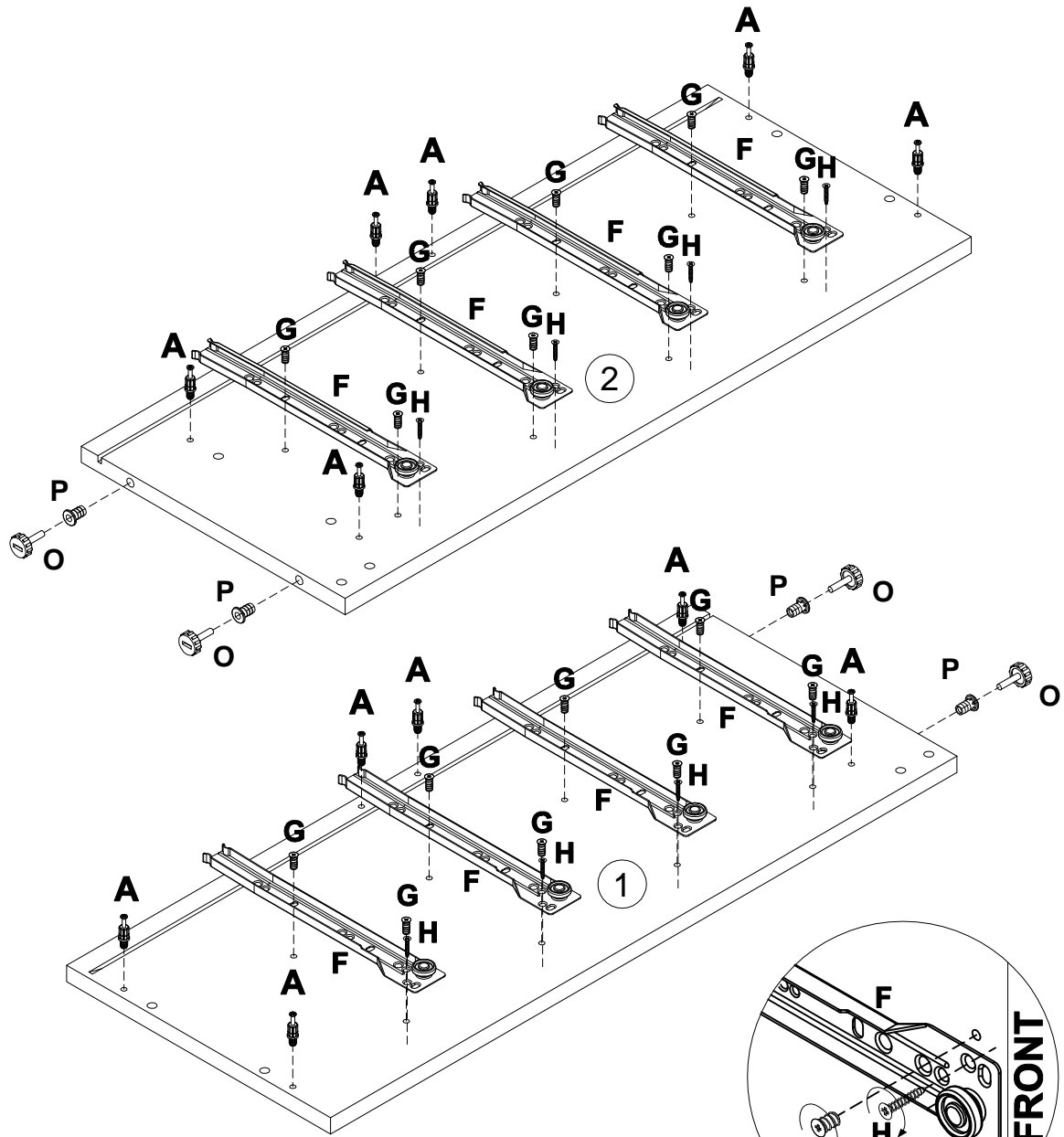
F 167332 L250 **x4**



G 235593 6x8 **x16**

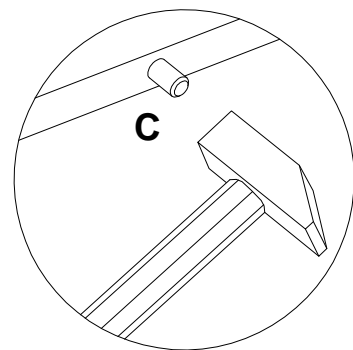
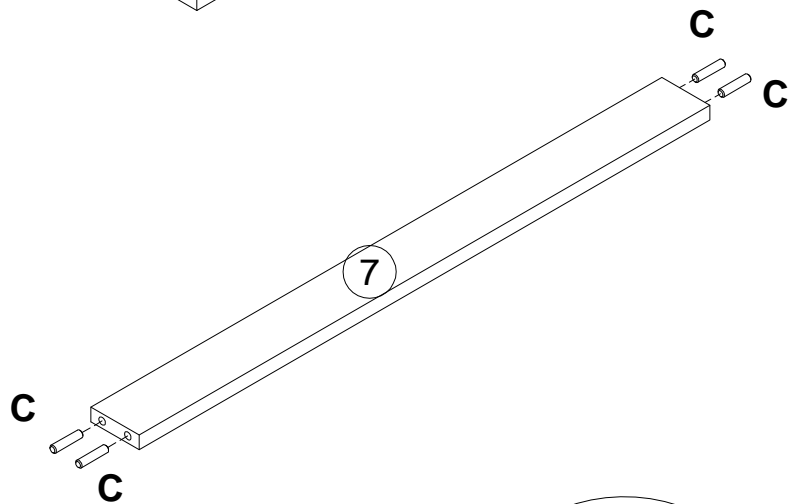
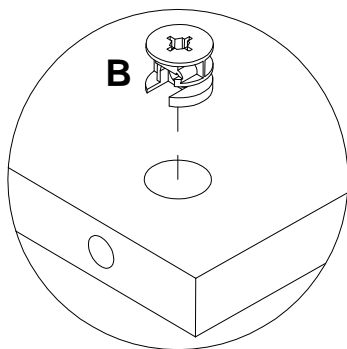
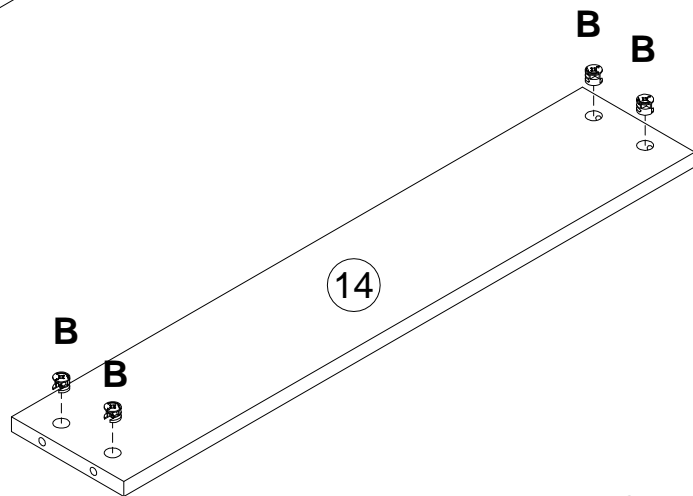
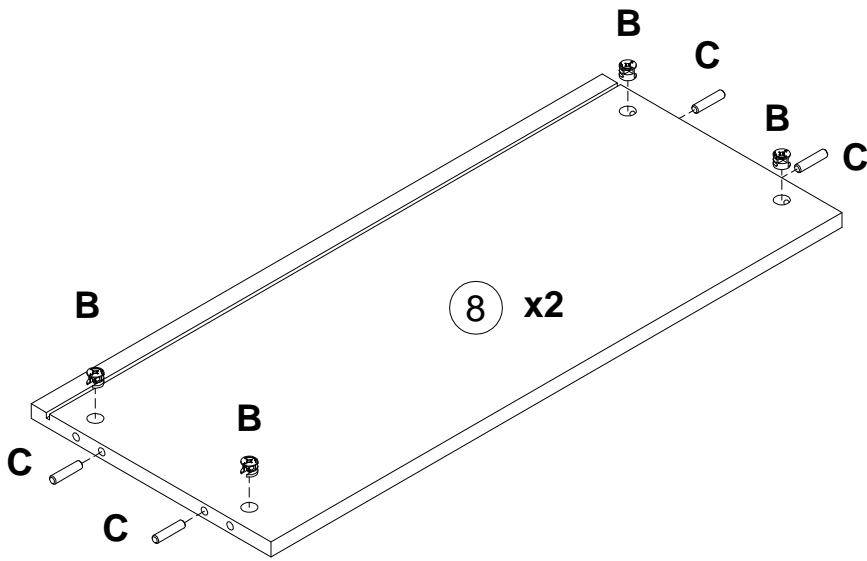
H 000767 3x13 **x8**

O 007085 M6 **x4**

P 007086 M6 **x4**



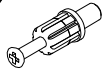
B		15x12	C		8x35
000146		x12	000151		x12



3

x4

A
090913



7x32
x16

B
000146



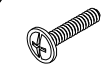
15x12
x16

I
006911

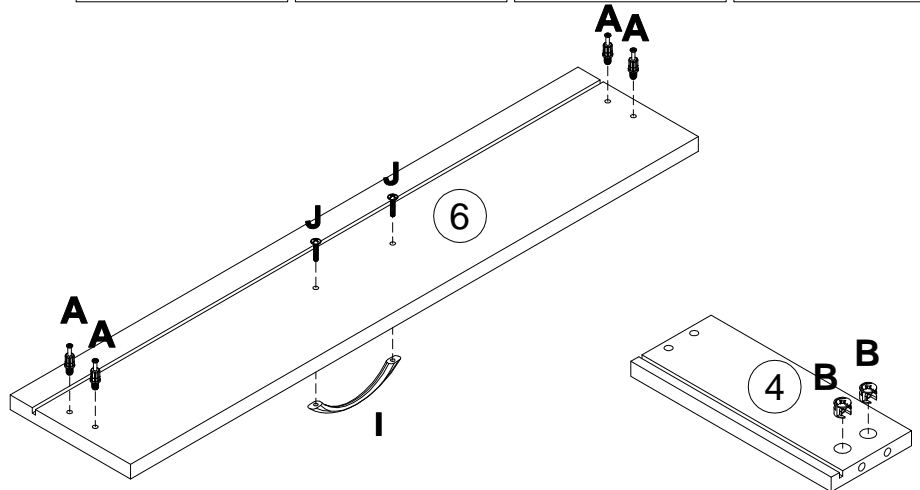
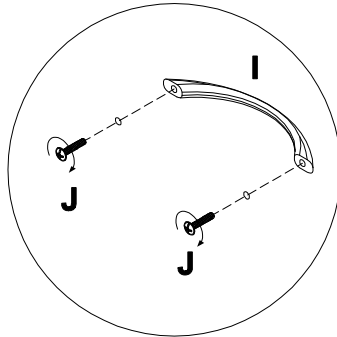
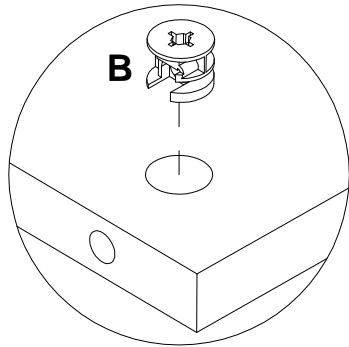
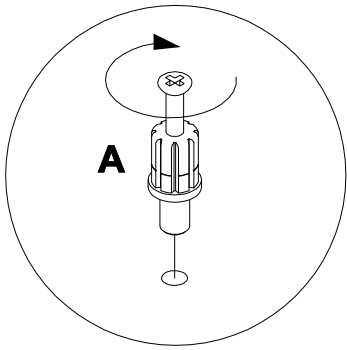


x4

J
002704



M4x20
x8

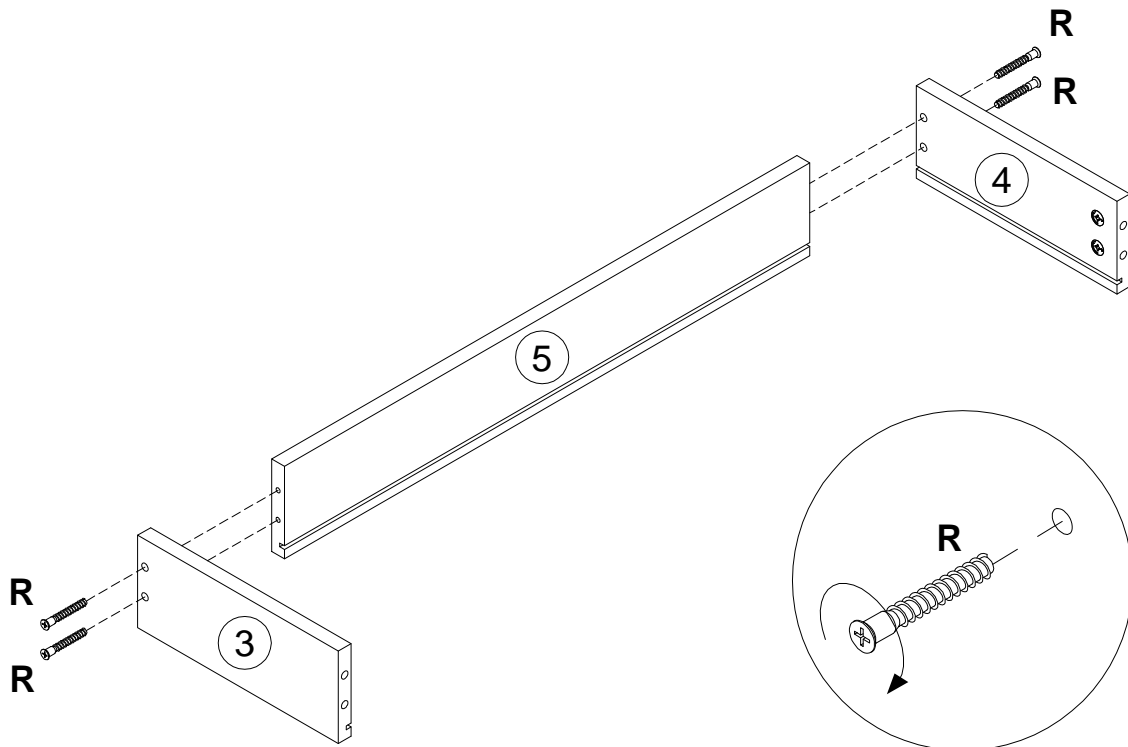


4

x4

R
101608

7x50
x16



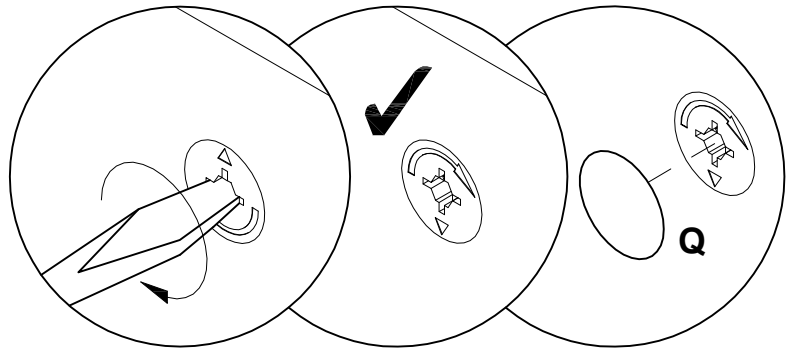
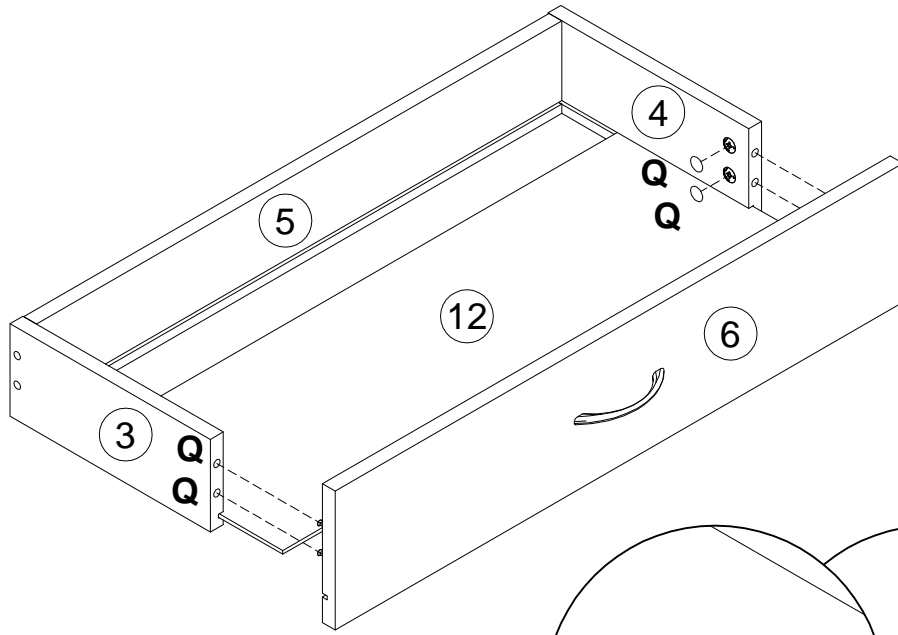
5

x4

100640 Q

20x0.5

x16



6

x4

D 135021



x24

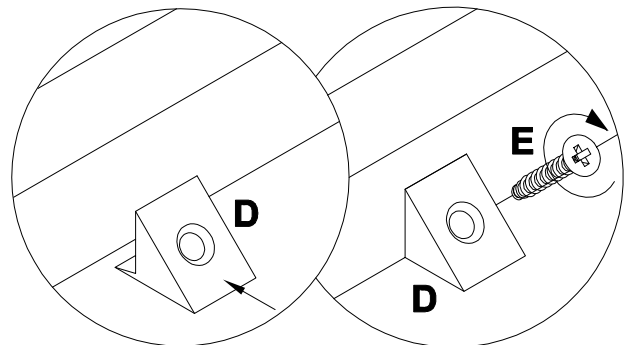
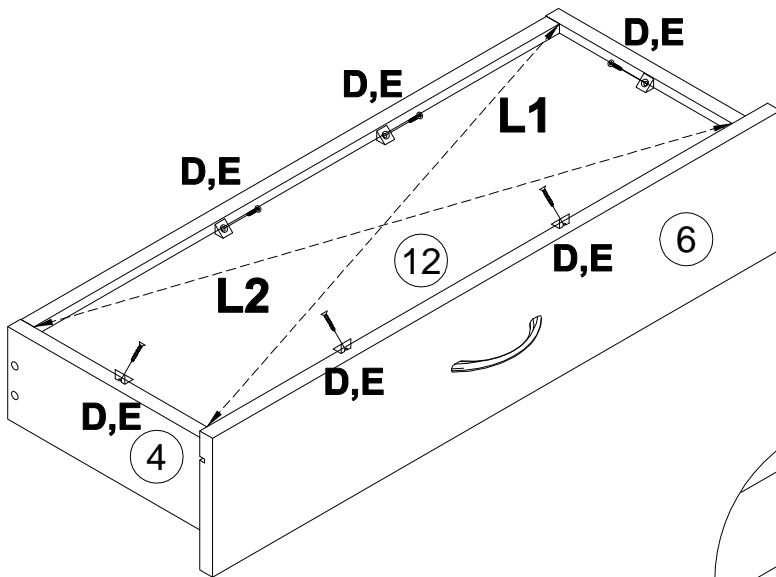
E 000759



3x20



x24

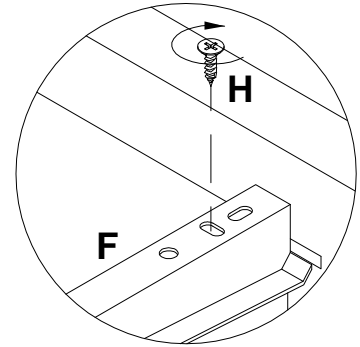
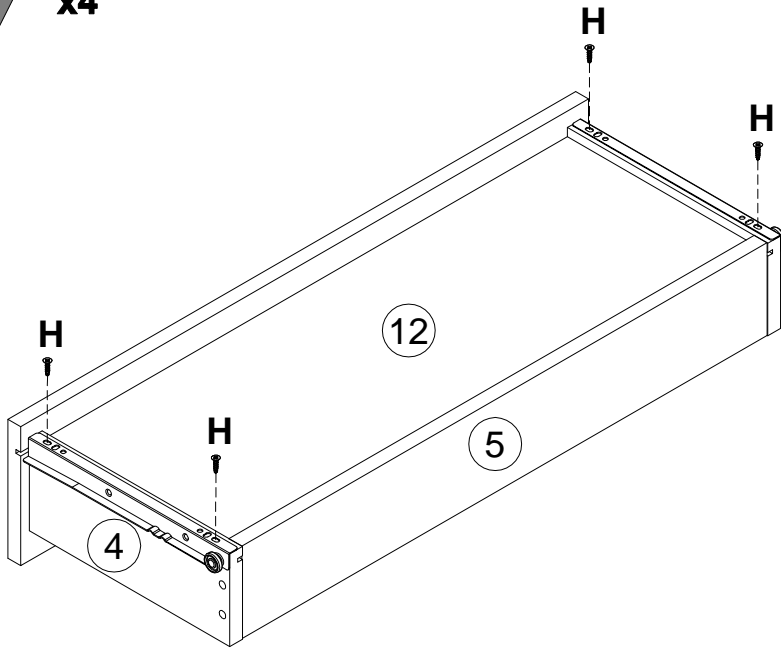
L1=L2



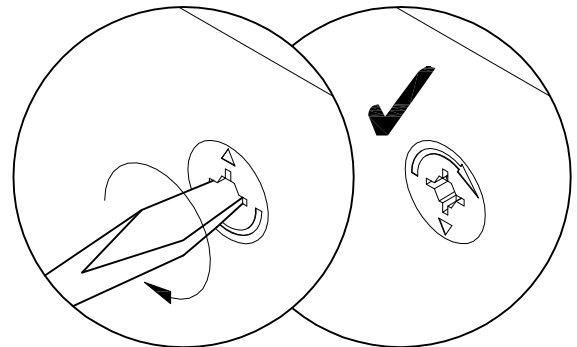
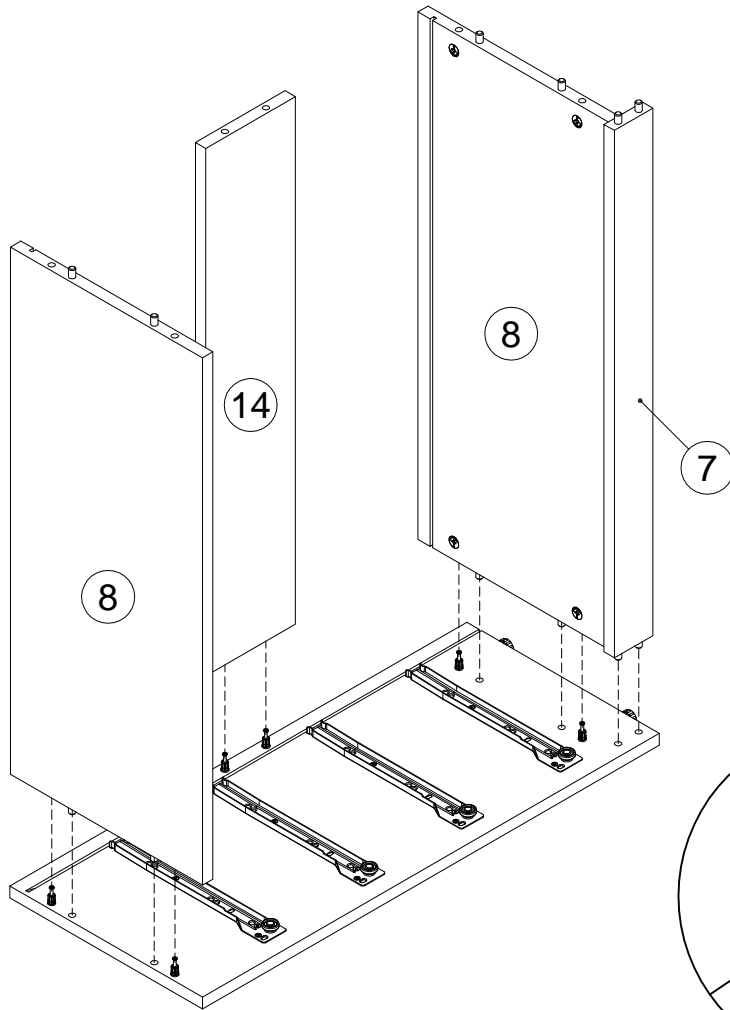
7

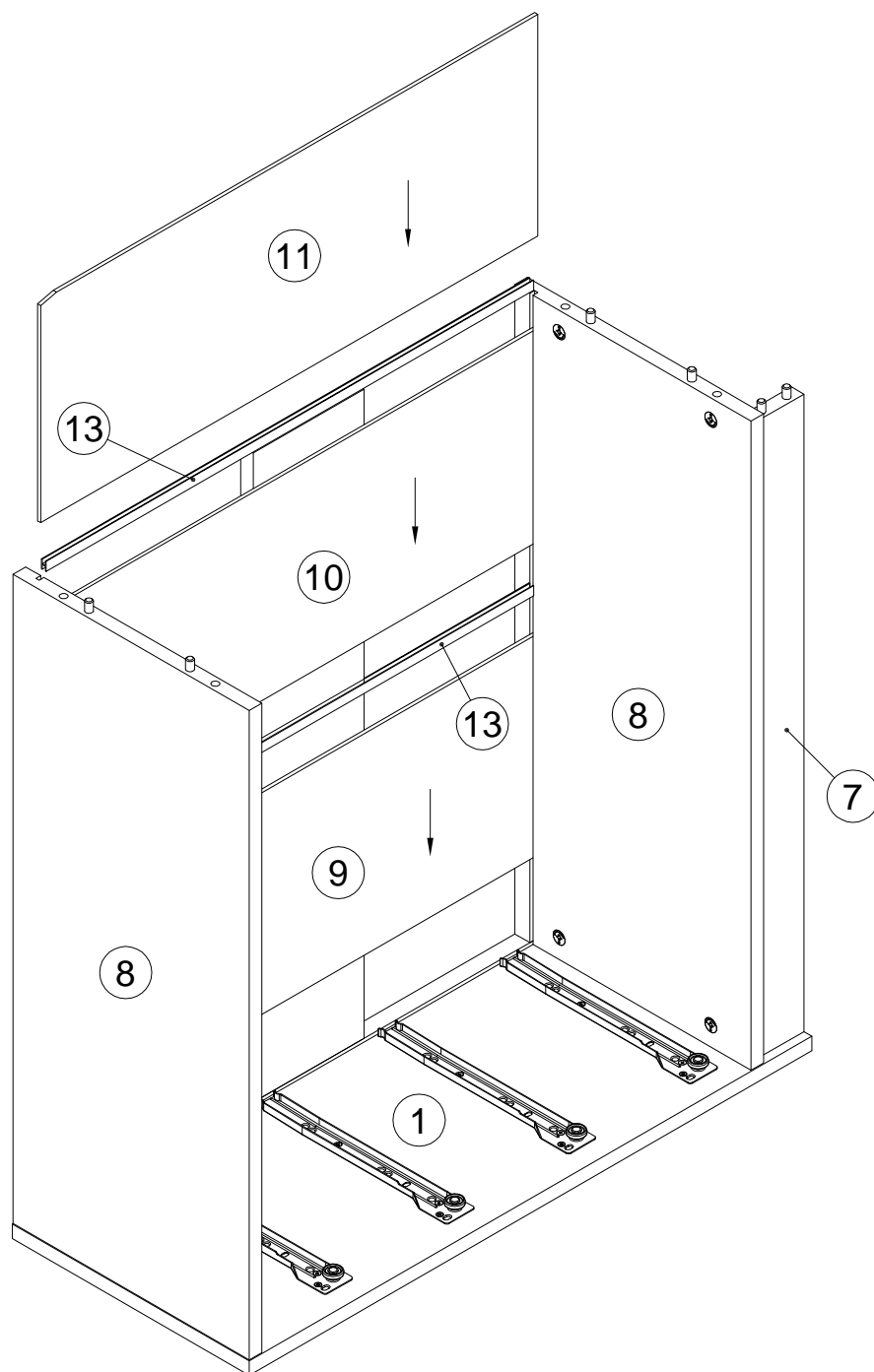
x4

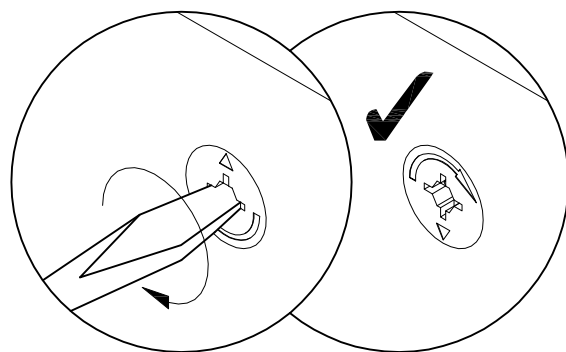
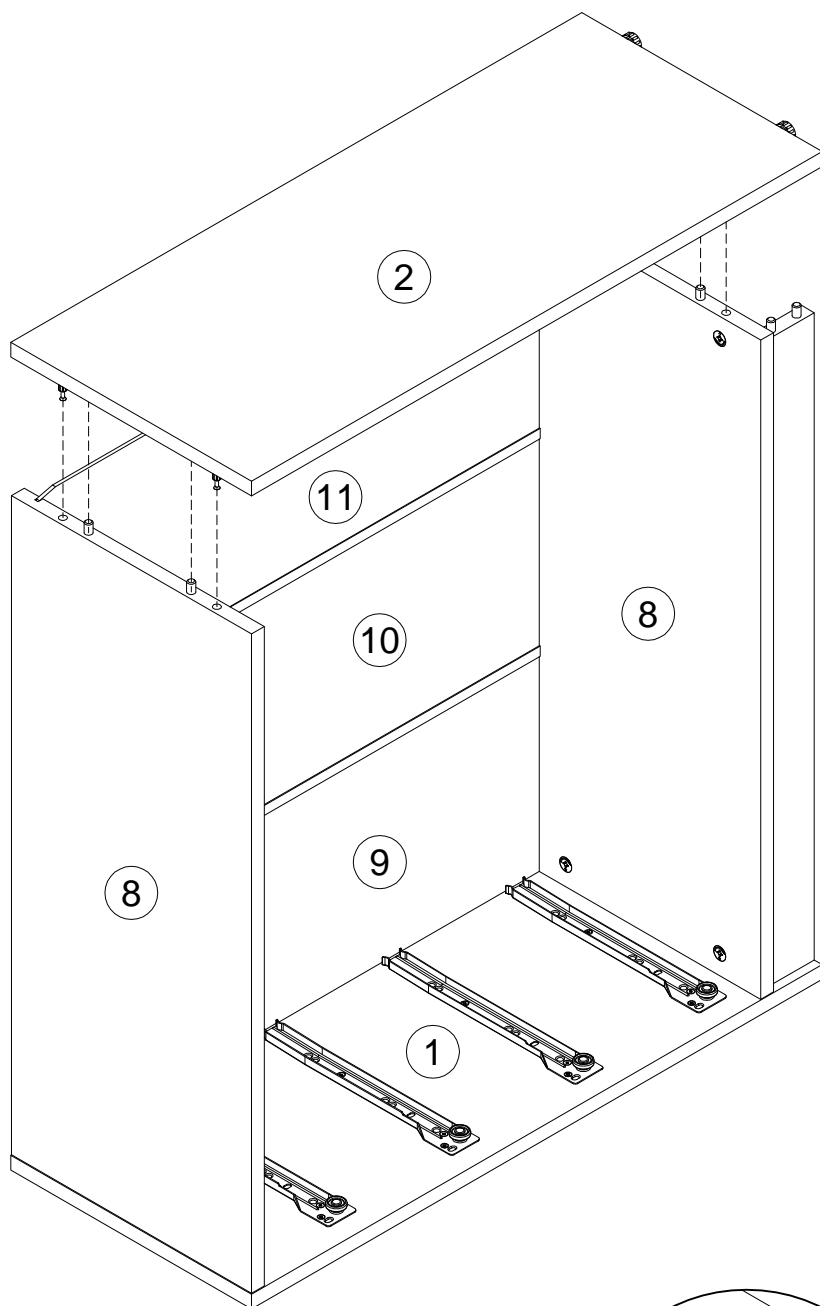
F		L250	H		3x13
167332		x4	000767		x16

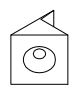
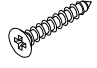


8







D 135021		x12	F 000759		3x20 x12
-------------	---	-----	-------------	---	-------------

