

(RU) Инструкция по сборке

(GB) Assembly instructions

(D) Montageanleitung

(FR) Notice de montage

(IT) Istruzioni di montaggio

(NL) Handleiding voor de montage

(CZ) Montážní návod

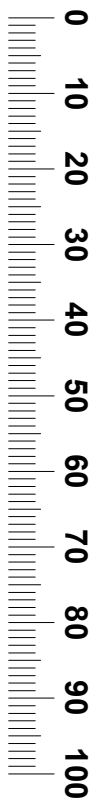
(PL) Instrukcja montażu

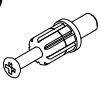
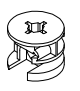
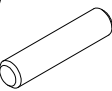
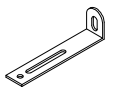




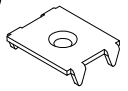
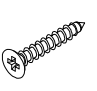
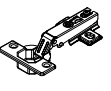

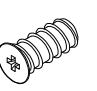



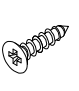

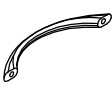
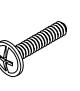
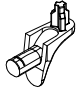

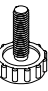

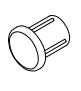

(SK) Návod na montáž

(HU) Montaj talimati

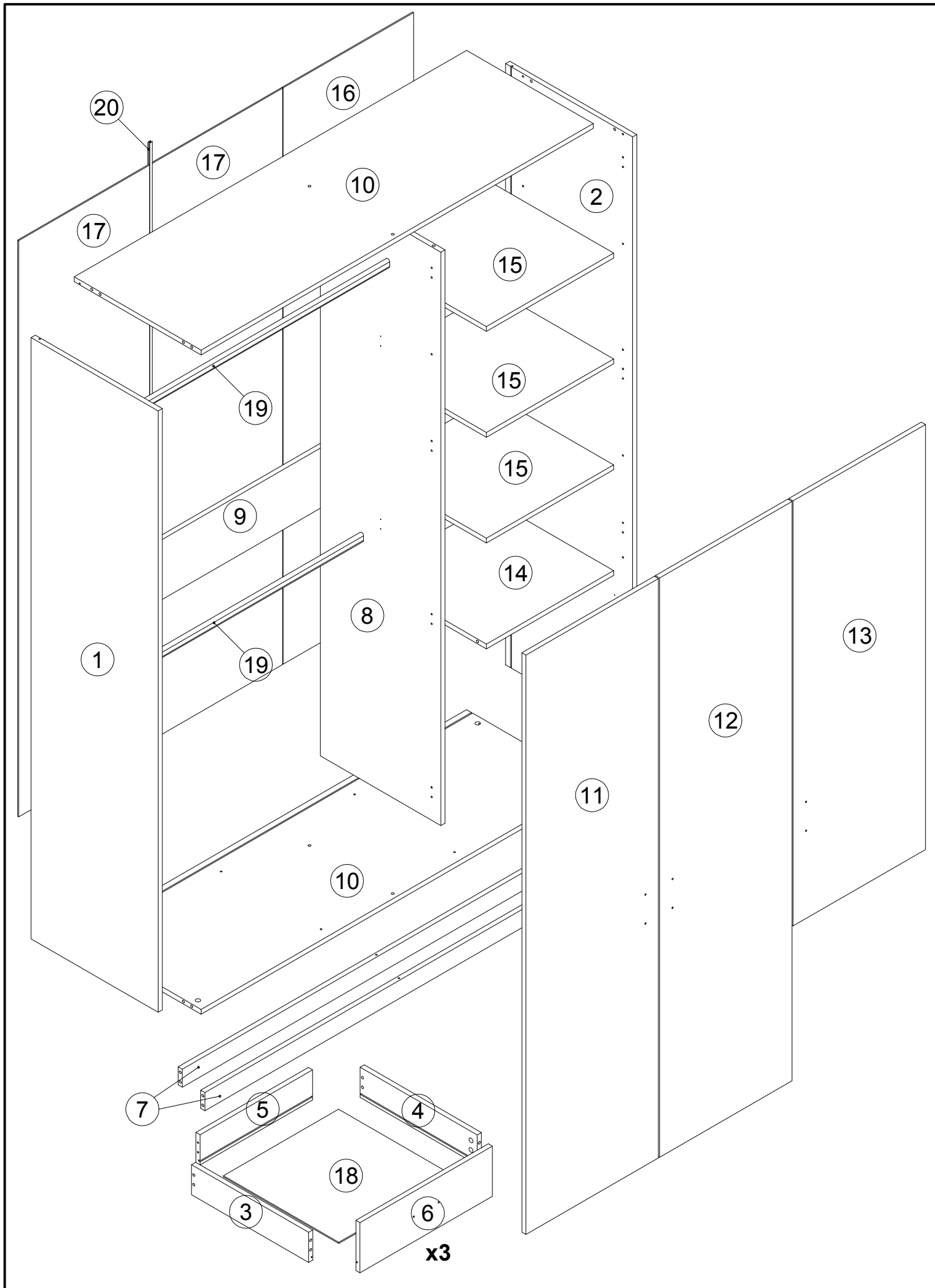
(RO) Instrukțiuni de montaj

(TR) Szerelési útmutató

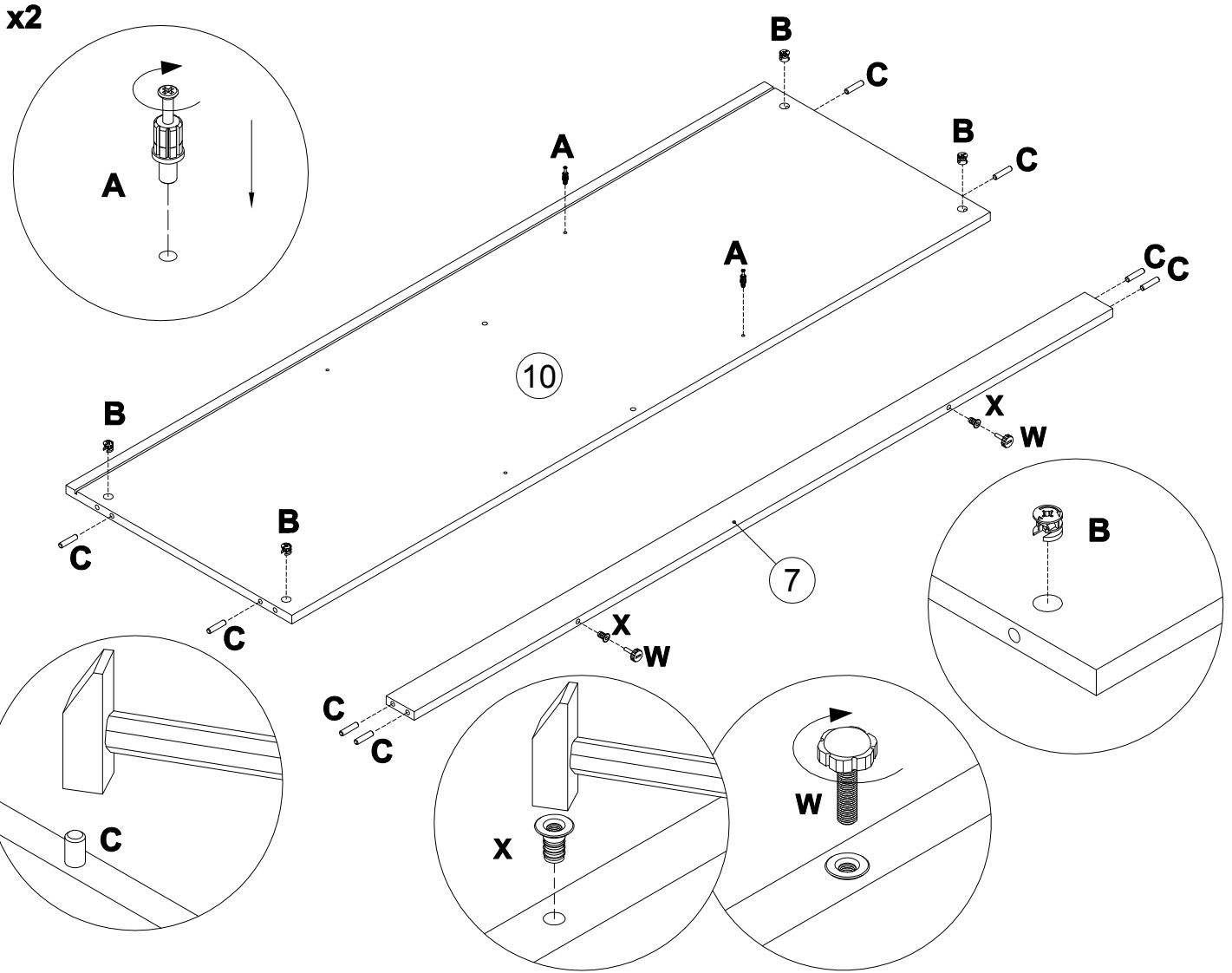


A 090913 7x32 x32 	B 000146 15x12 x32 	C 000151 8x35 x16 	D 155999 x1 	E 000754 3.5x16 x2 	F 013859 8x40 x1 
G 090185 4.5x45 x1 	H 135021 x20 	I 062367 x4 	J 000759 3x20 x24 	K 168982 x11 	L 010942 4x16 x22 
M 235594 6.3x16 x22 	N 000126 x12 	O 170390 x4 	P 170391 L450 x3 	Q 000762 3.5x13 x26 	R 000767 3x13 x18 
S 006911 x6 	T 002704 M4x20 x12 	U 125913 x12 	V 101608 7x50 x14 	W 007085 M6 x8 	X 007086 M6 x8 
Y 030579 x8 	Z 100640 20x0.5 x22 				

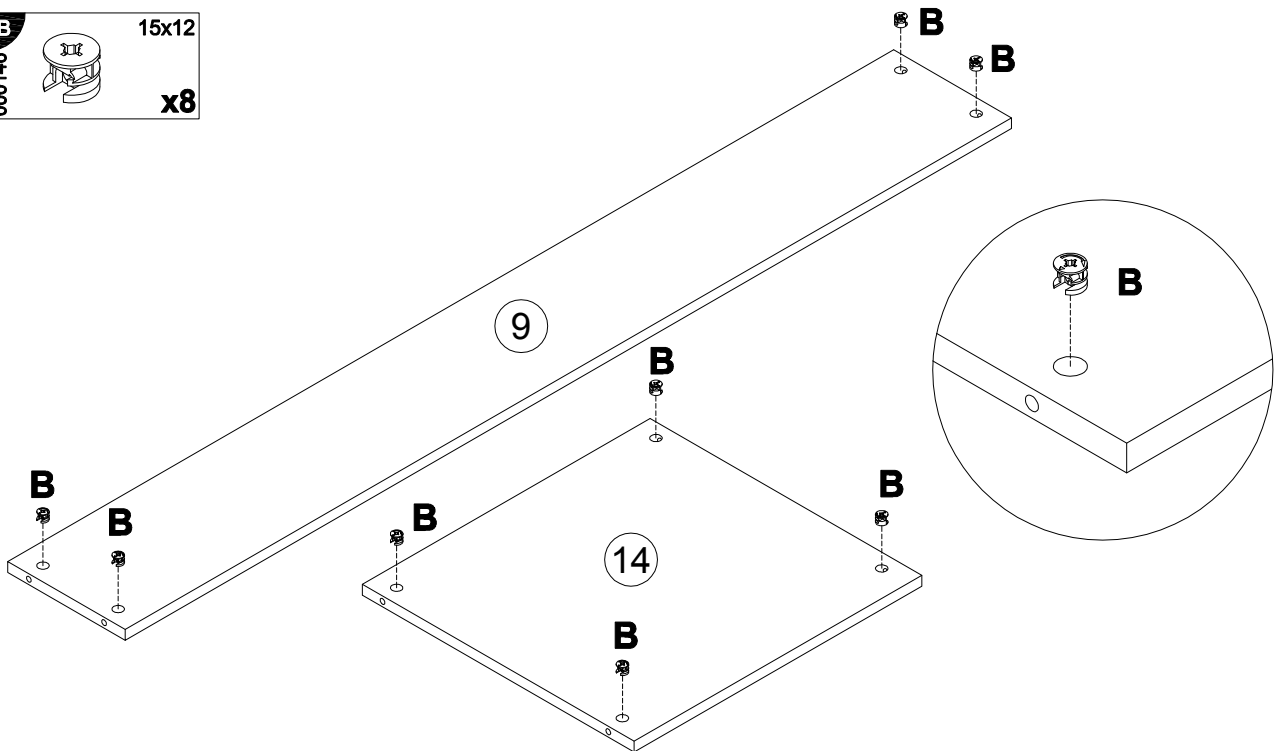
N	Size/MaB (mm)	Qty	✓	N	Size/MaB (mm)	Qty	✓
1	2000x488x16	1		11	1927x509x16	1	
2	2000x488x16	1		12	1927x509x16	1	
3	450x100x16	3		13	1414x509x16	1	
4	450x100x16	3		14	489x462x16	1	
5	432x100x16	3		15	489x462x16	3	
6	509x167x16	3		16	1917x501x3	1	
7	1507x60x16	2		17	1917x505x3	2	
8	1907x463x16	1		18	443x442x3	3	
9	1507x200x16	1		19	996	2	
10	1507x487x16	2		20	1905	1	



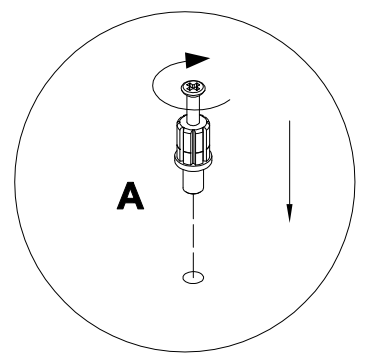
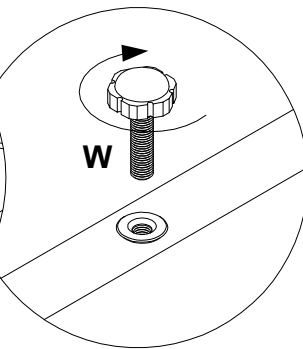
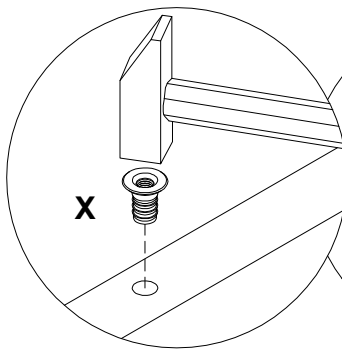
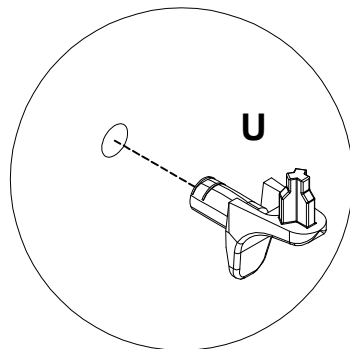
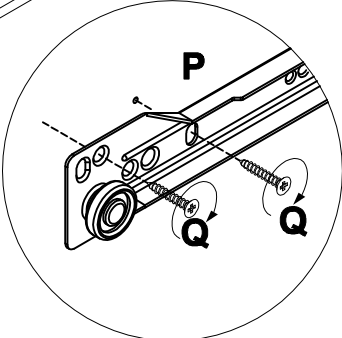
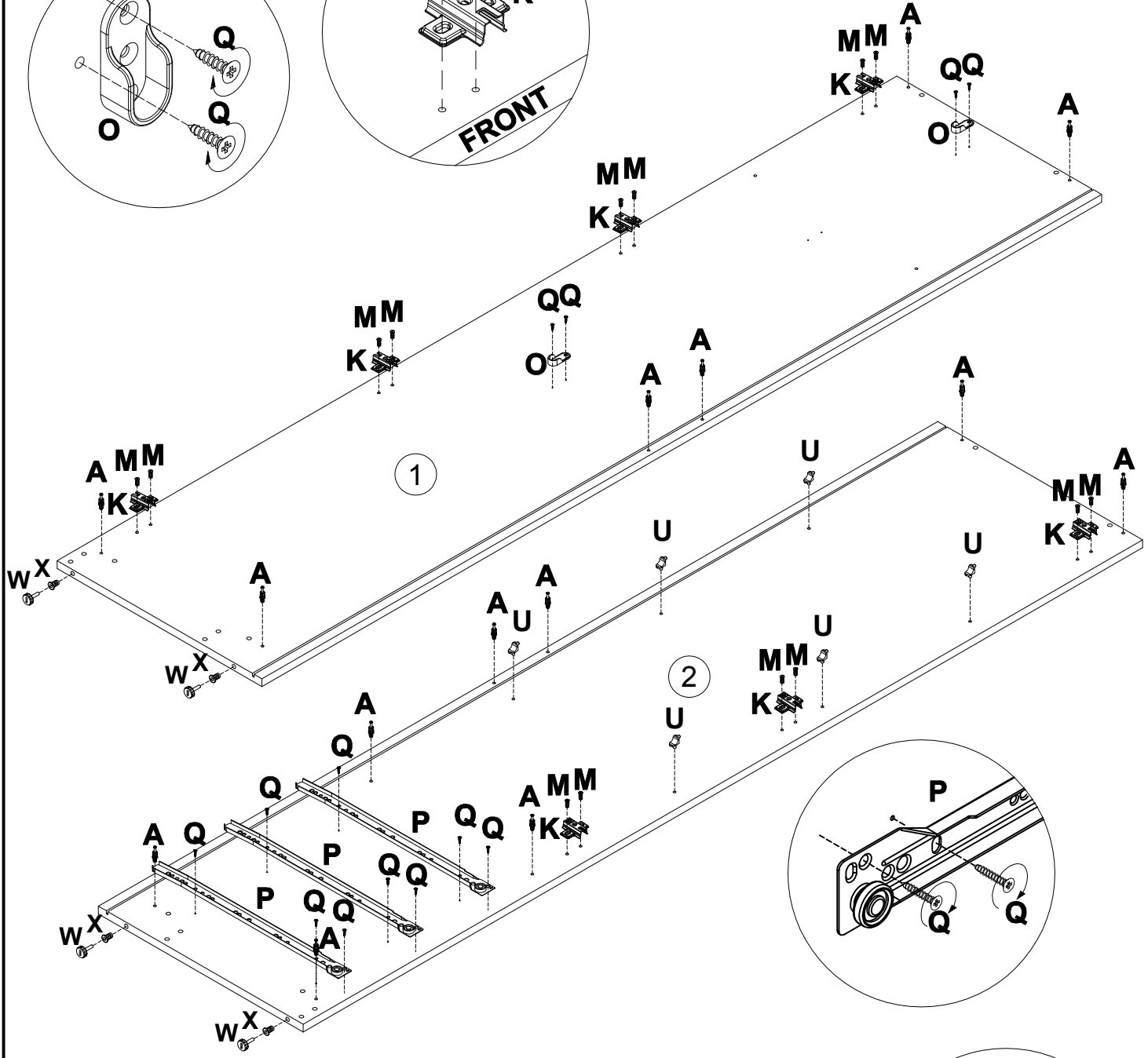
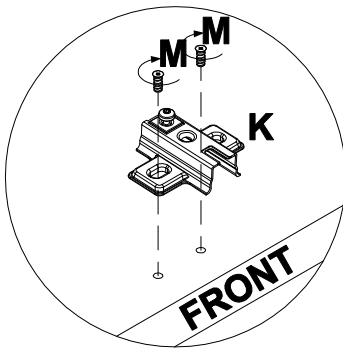
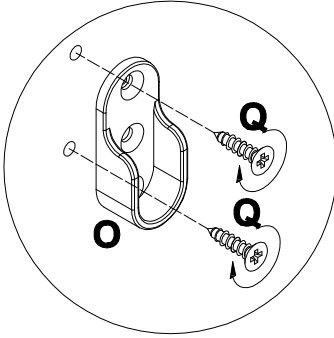
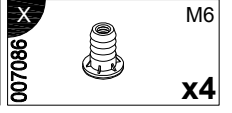
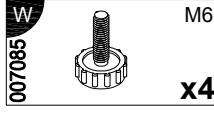
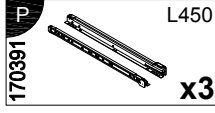
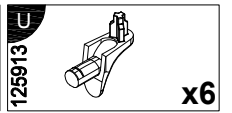
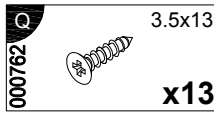
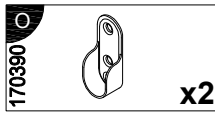
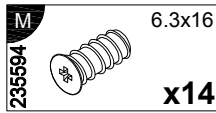
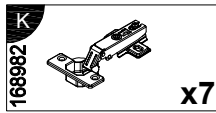
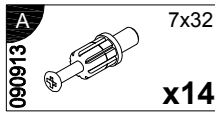
- 1**
- | | | | | |
|----------------------------------|-----------------------------------|-----------------------------------|--------------------------------|--------------------------------|
| A
090913
7x32
x4 | B
000146
15x12
x8 | C
000151
8x35
x16 | W
007085
M6
x4 | X
007086
M6
x4 |
|----------------------------------|-----------------------------------|-----------------------------------|--------------------------------|--------------------------------|



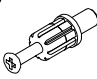
- 2**
- | |
|-----------------------------------|
| B
000146
15x12
x8 |
|-----------------------------------|




3



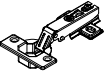
A 090913 7x32 **x2**



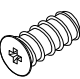
B 000146 15x12 **x4**




K 168982 **x4**




M 235594 6.3x16 **x8**



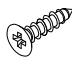
O 170390 **x2**



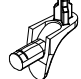
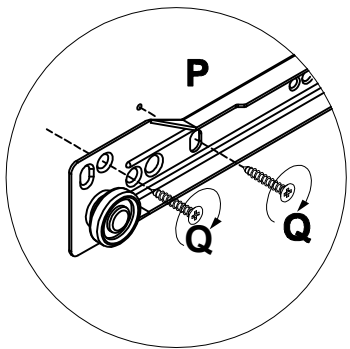
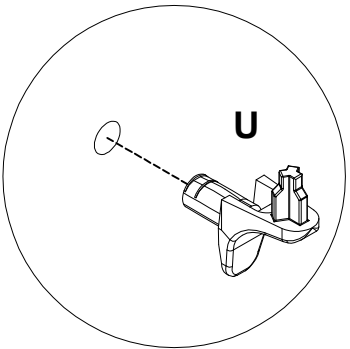
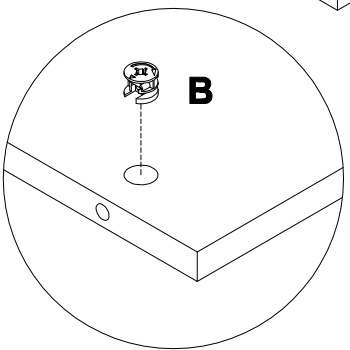
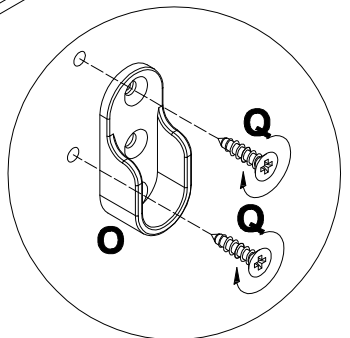
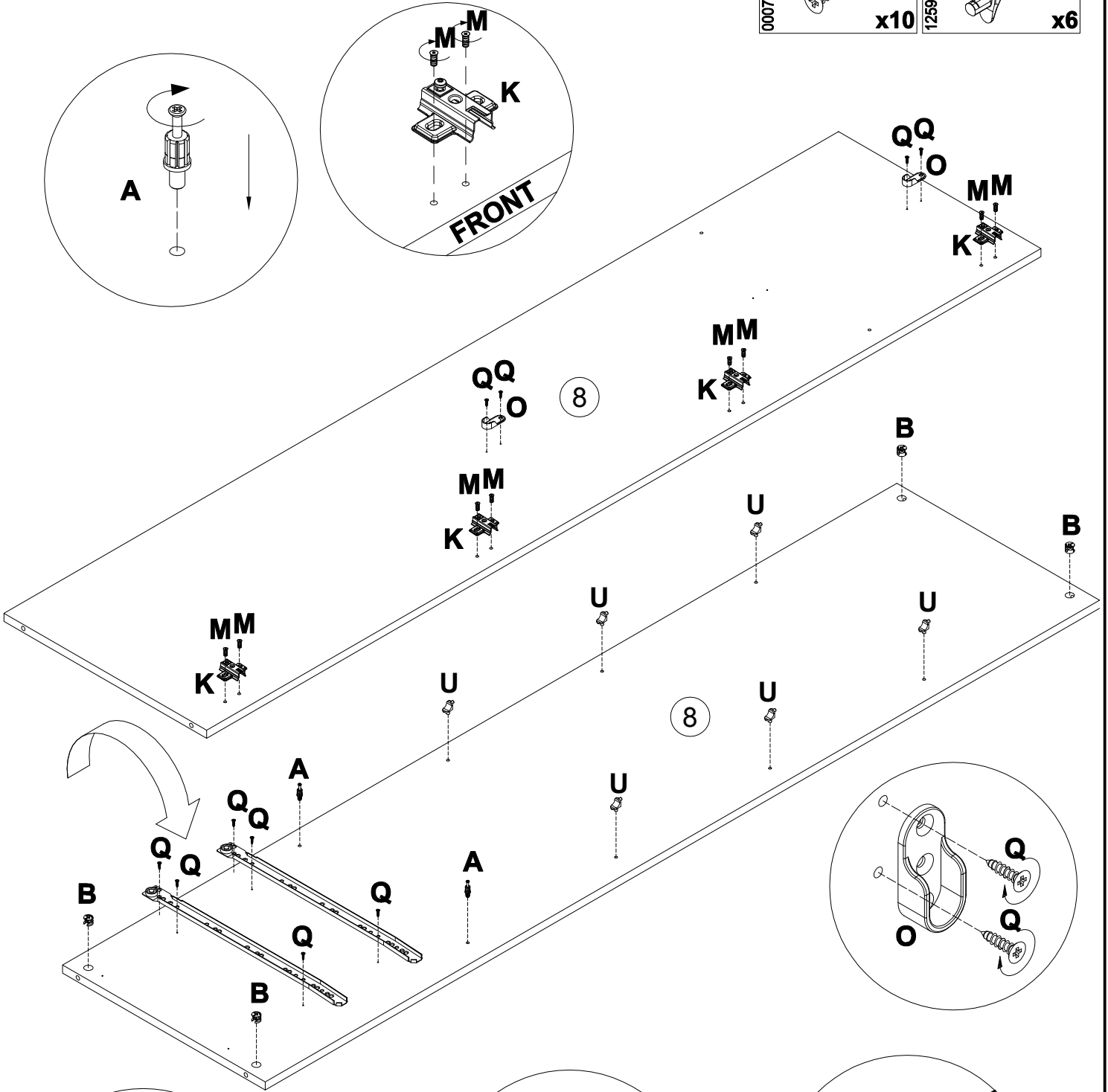
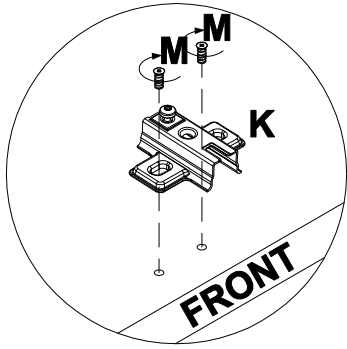
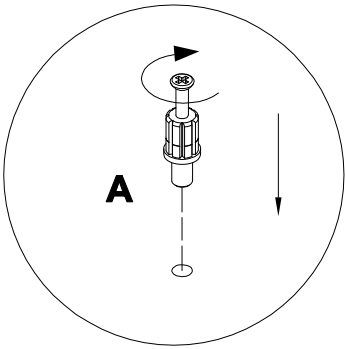
P 170391 L450 **x2**



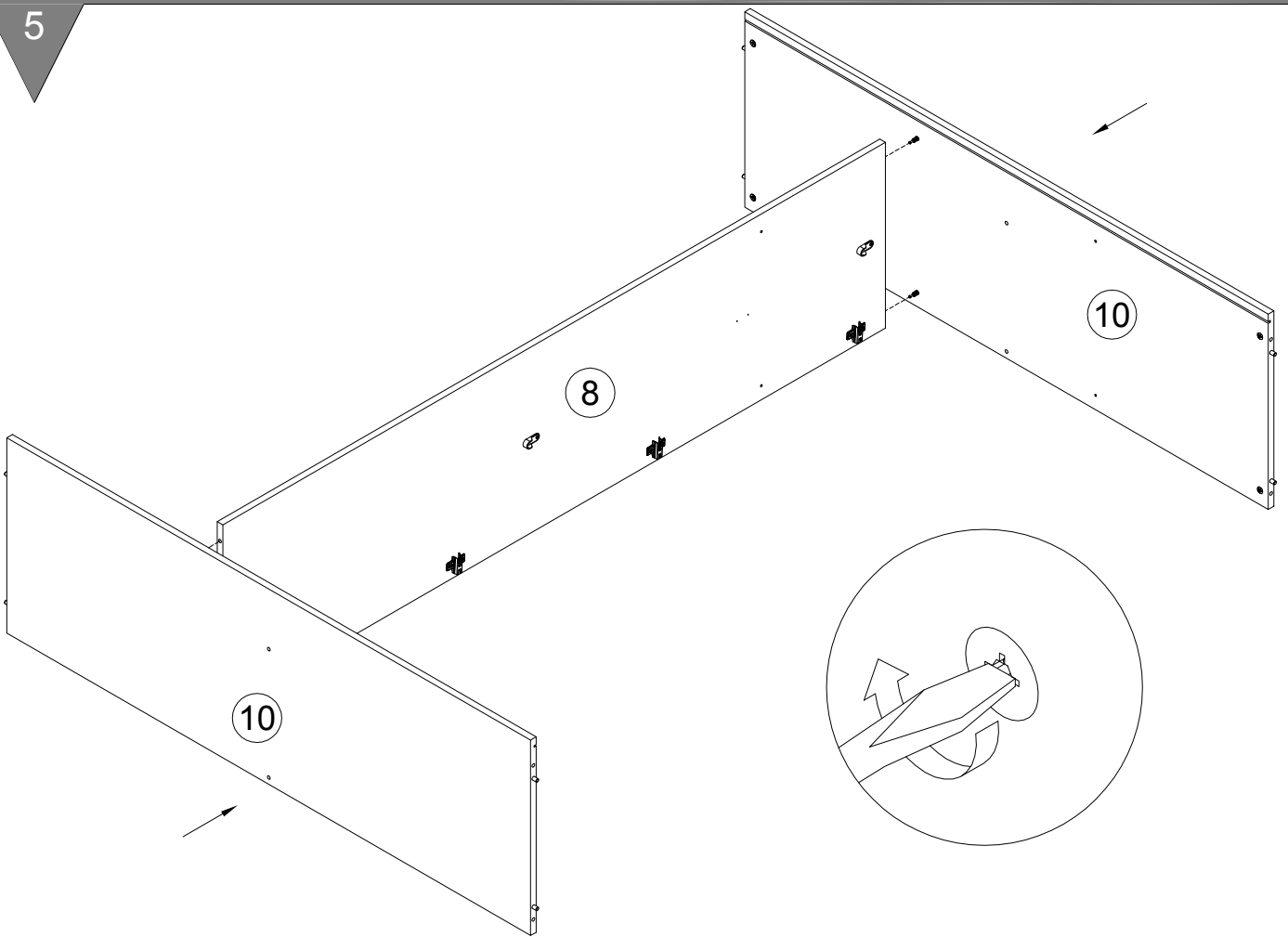
Q 000762 3.5x13 **x10**



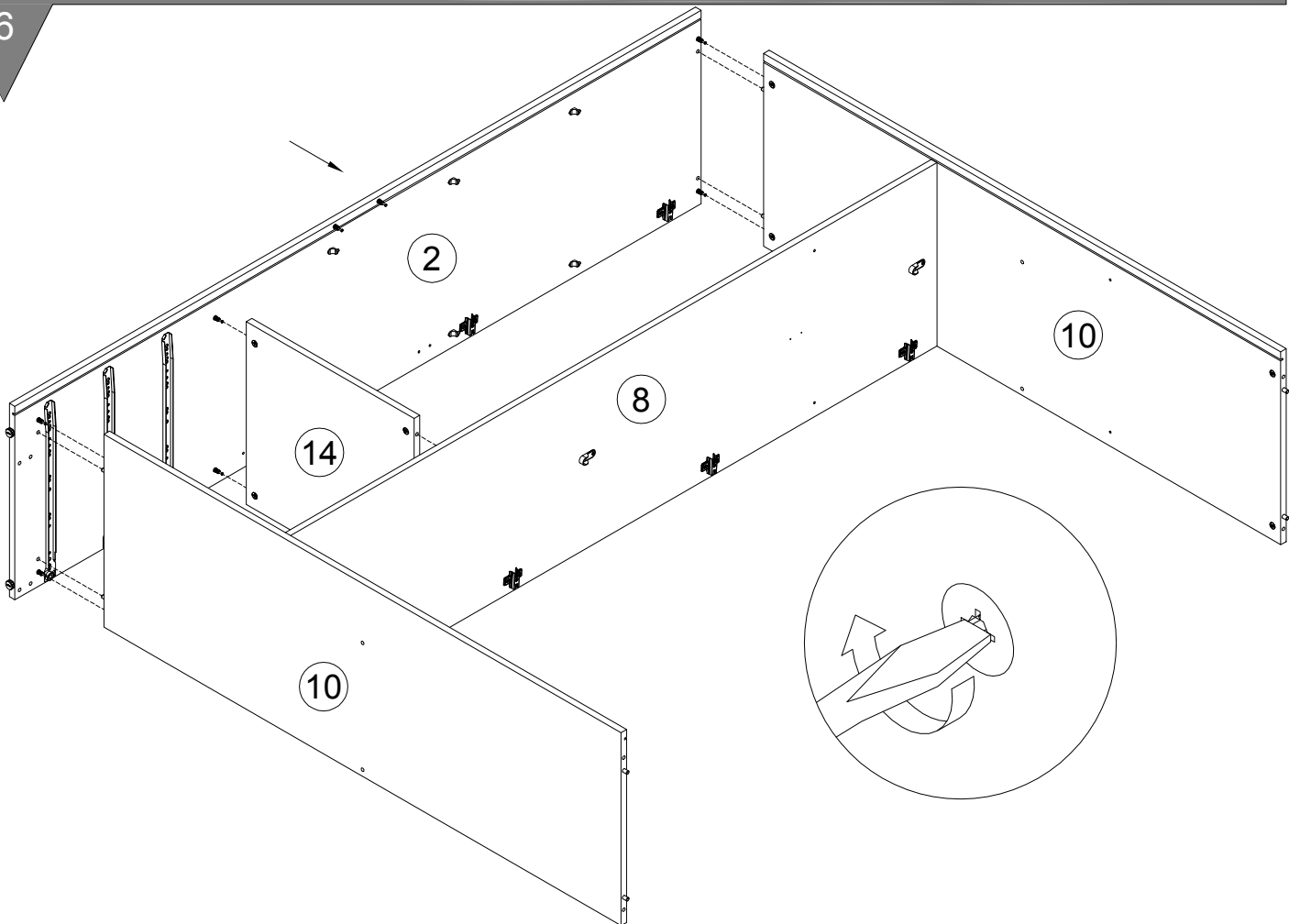
U 125913 **x6**

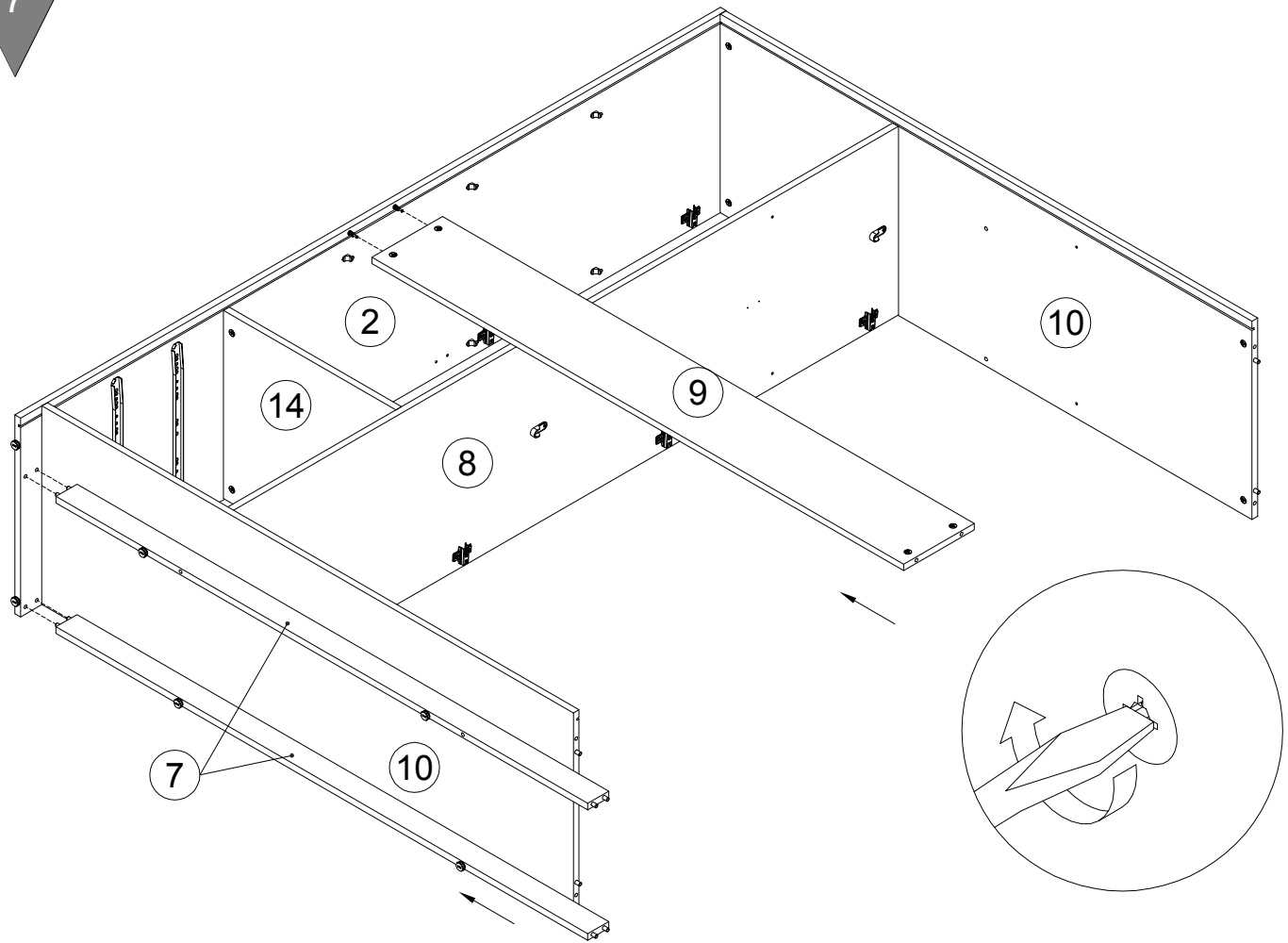
5



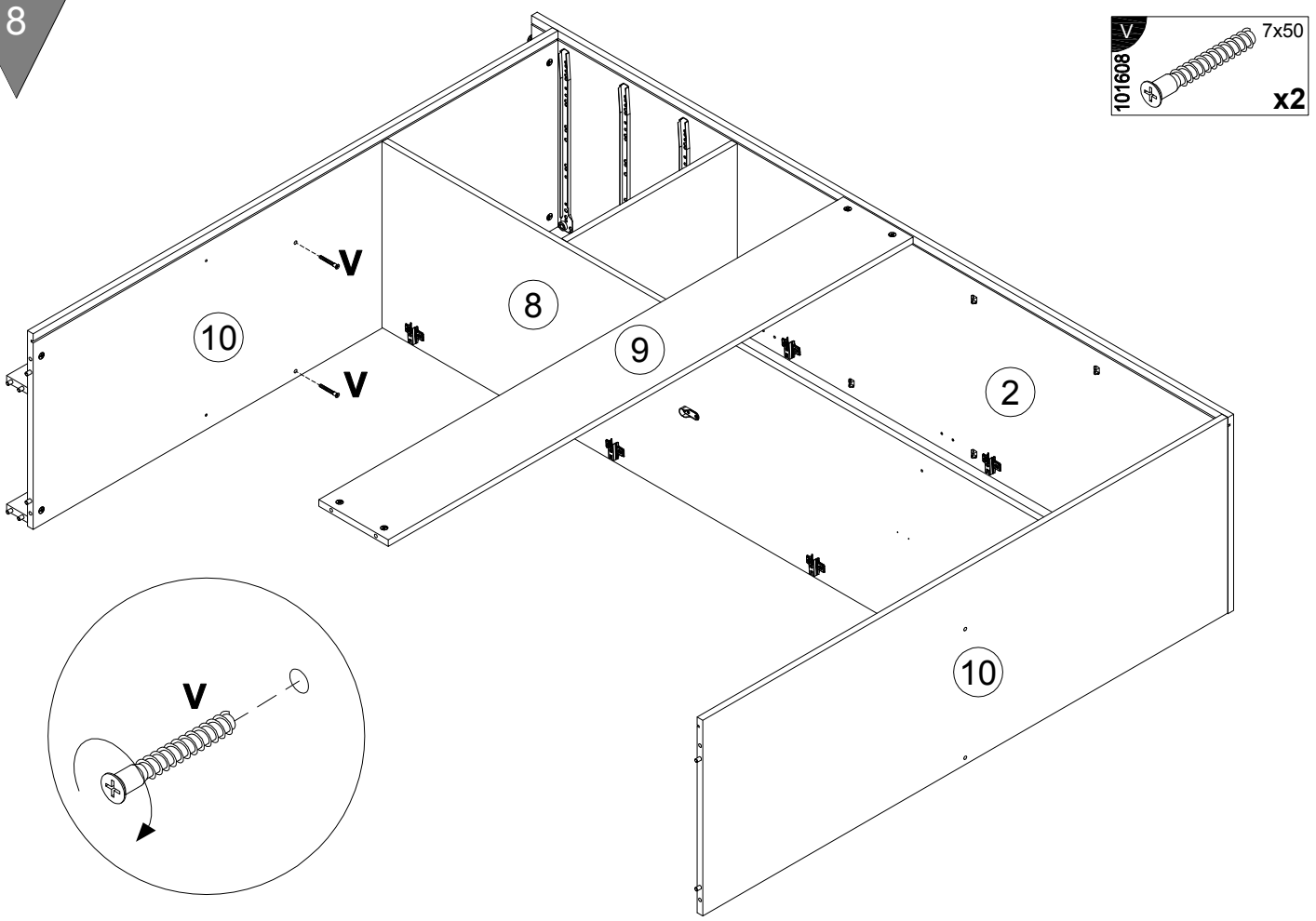
6

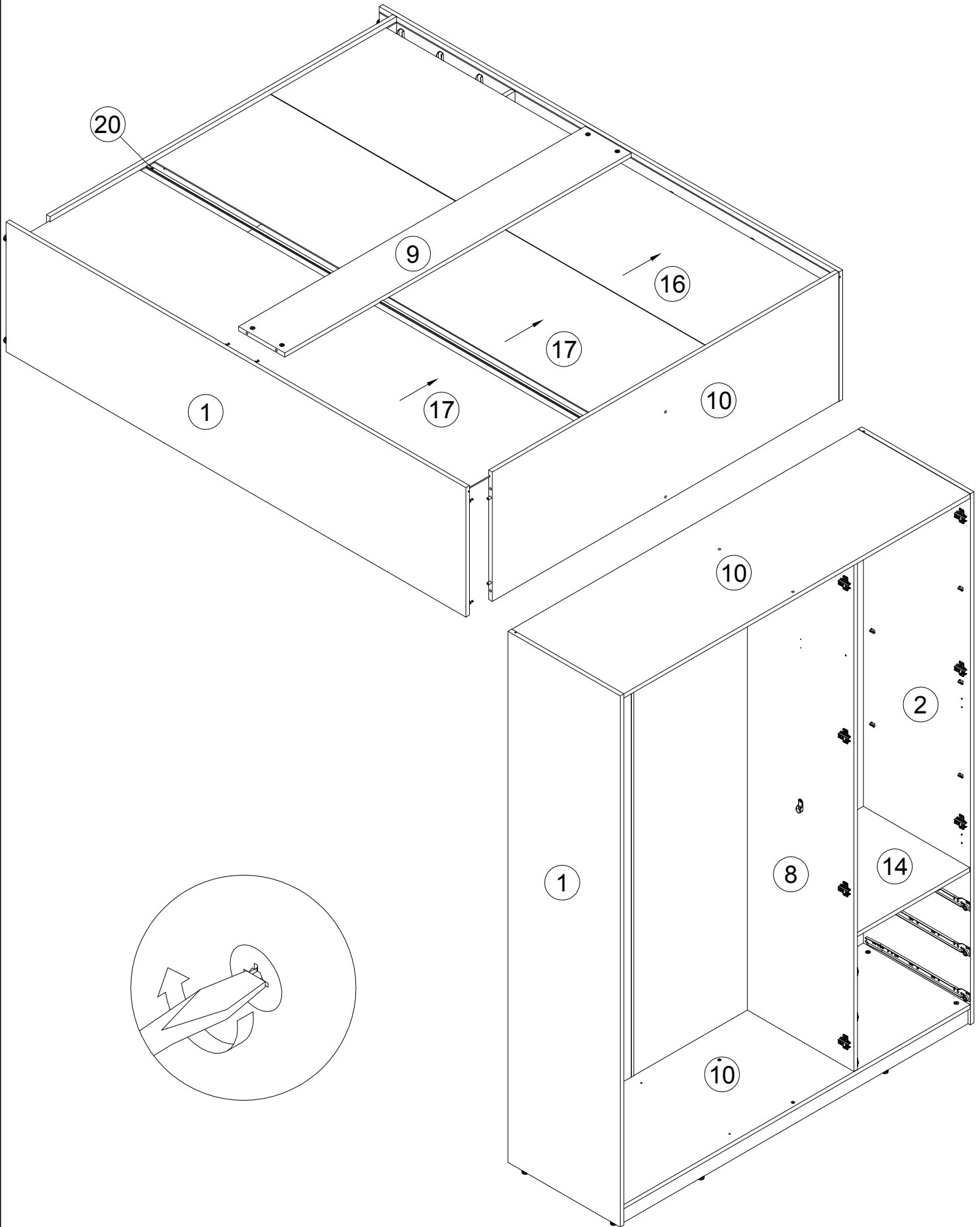





7

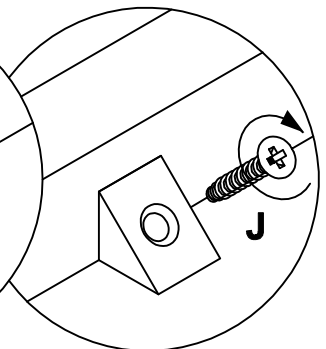
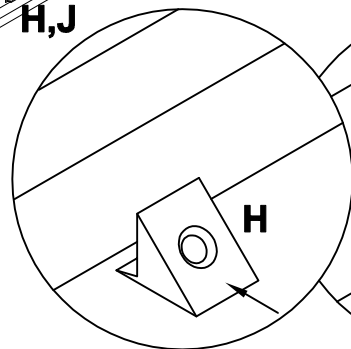
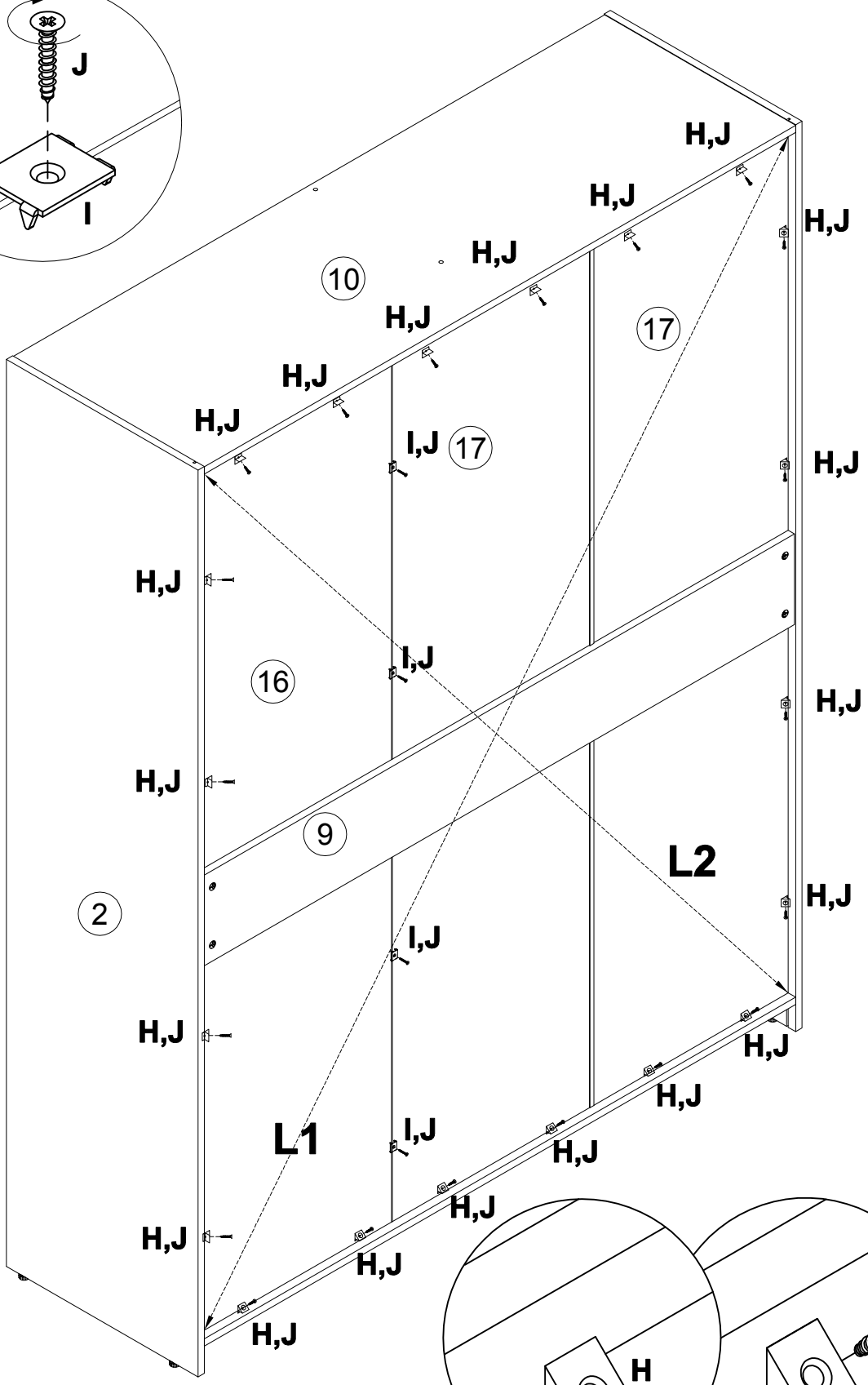
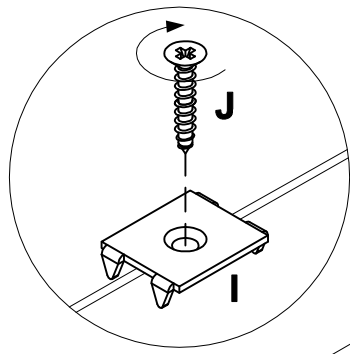


8


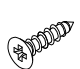
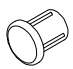


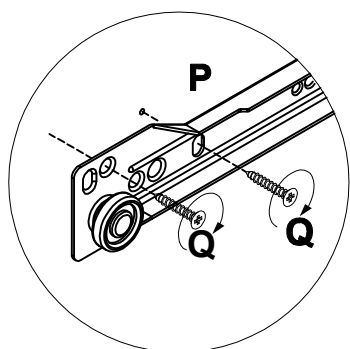
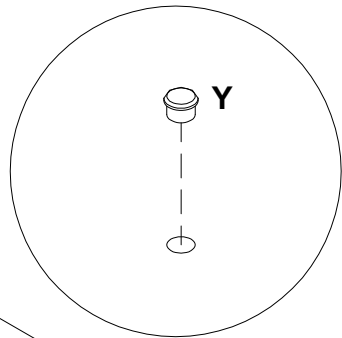
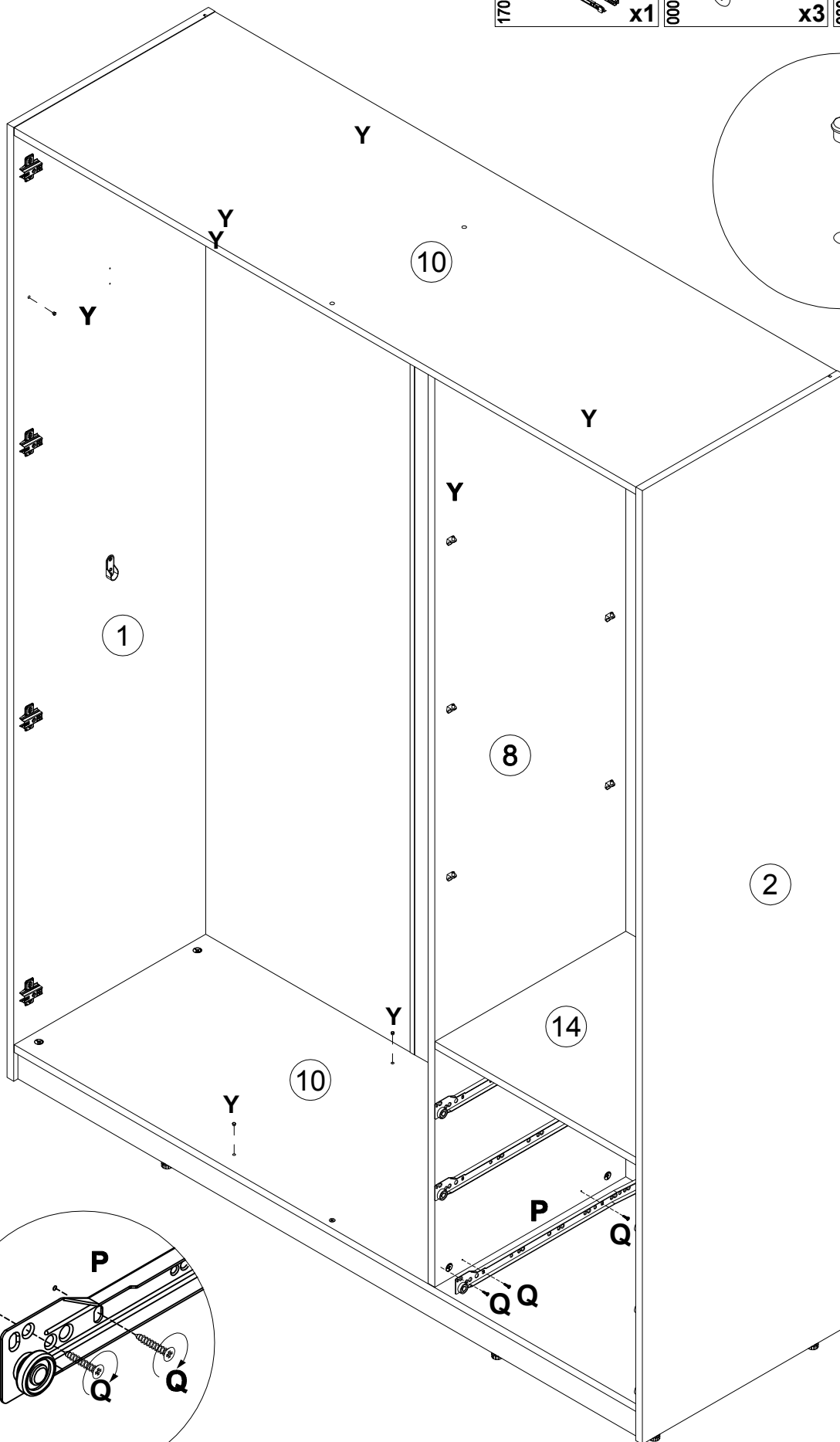


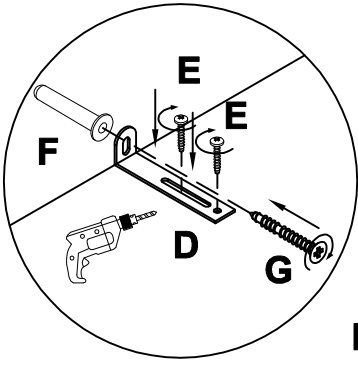
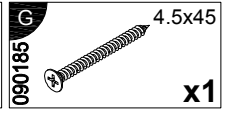
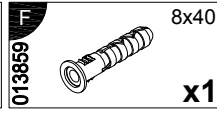
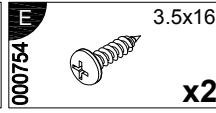
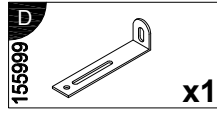
135021		x20	062367		x4	000759		3x20	x24
--------	---	-----	--------	---	----	--------	---	------	-----



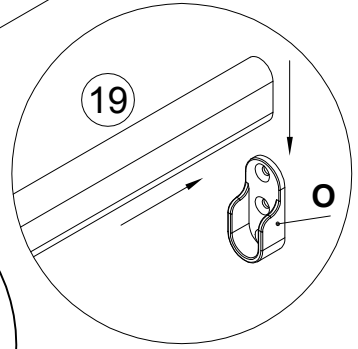
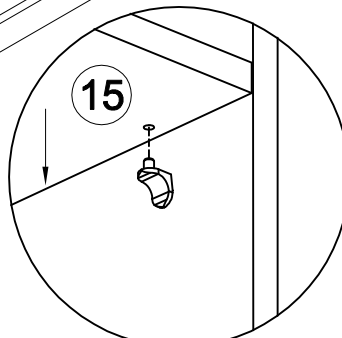
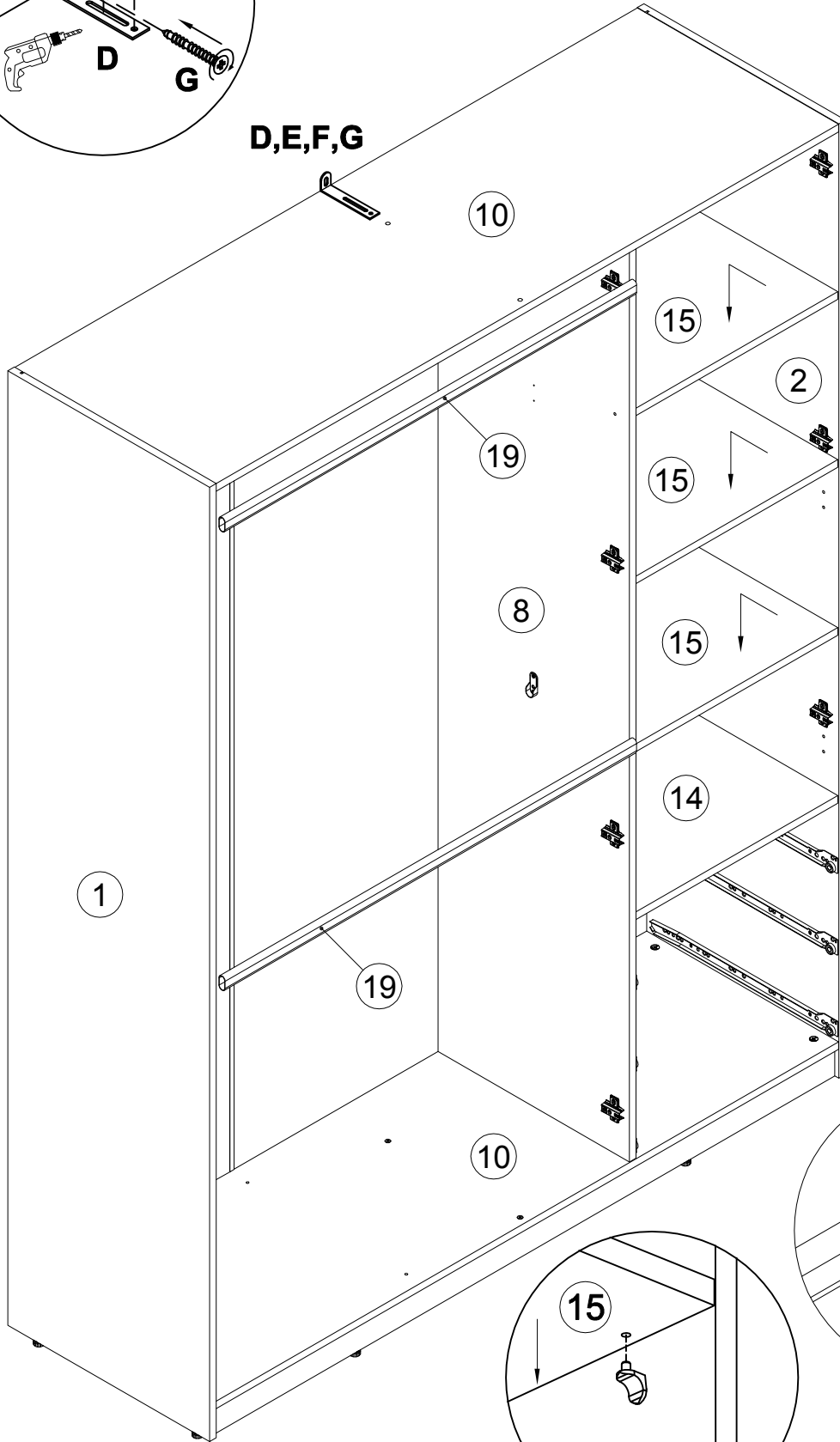
L1=L2

P 170391	 L450 x1	Q 000762	 3.5x13 x3	Y 030579	 x8
--------------------	---	--------------------	--	--------------------	--



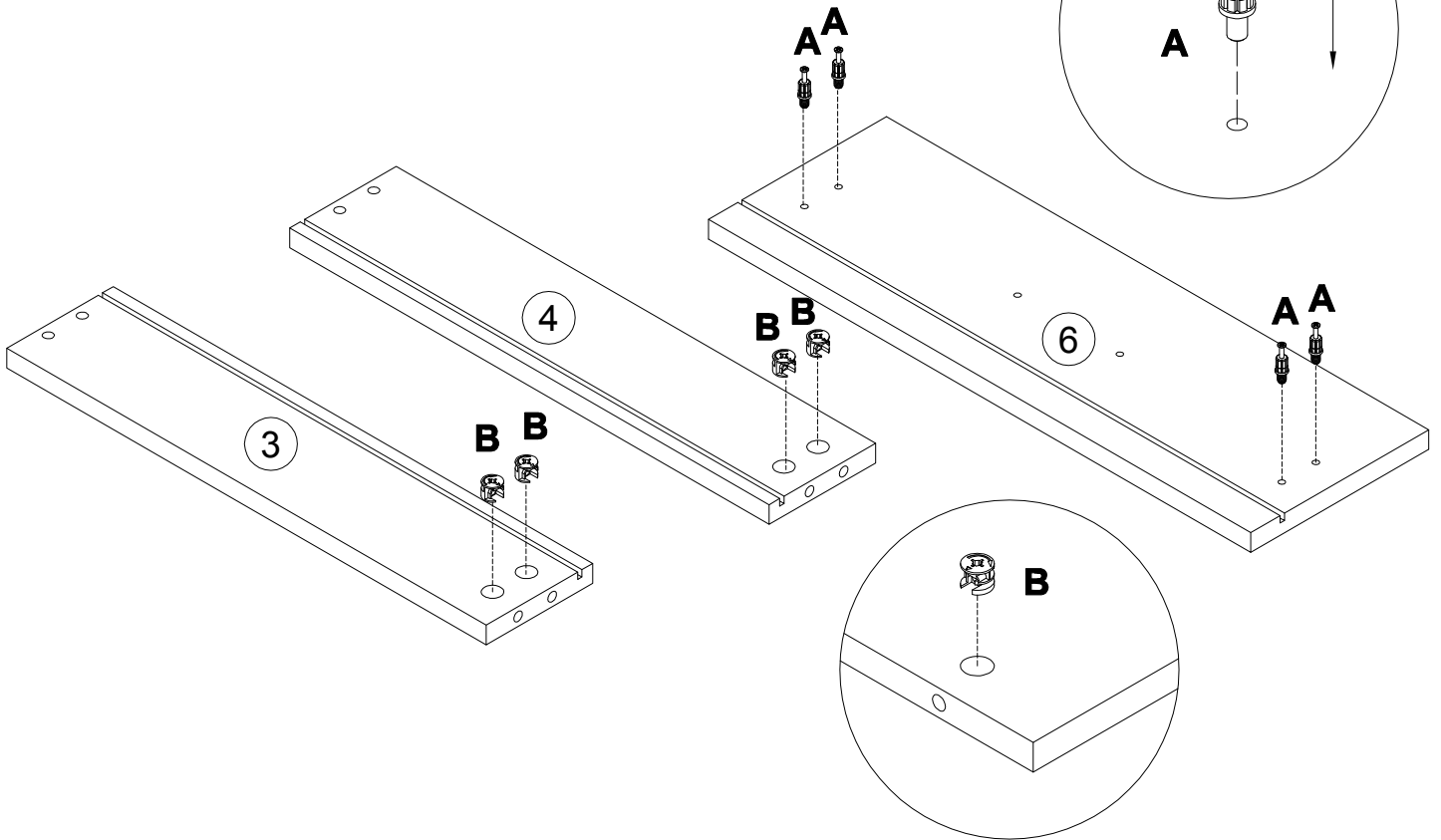
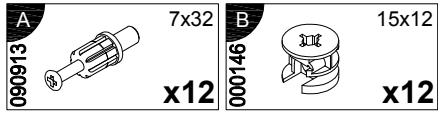


D,E,F,G



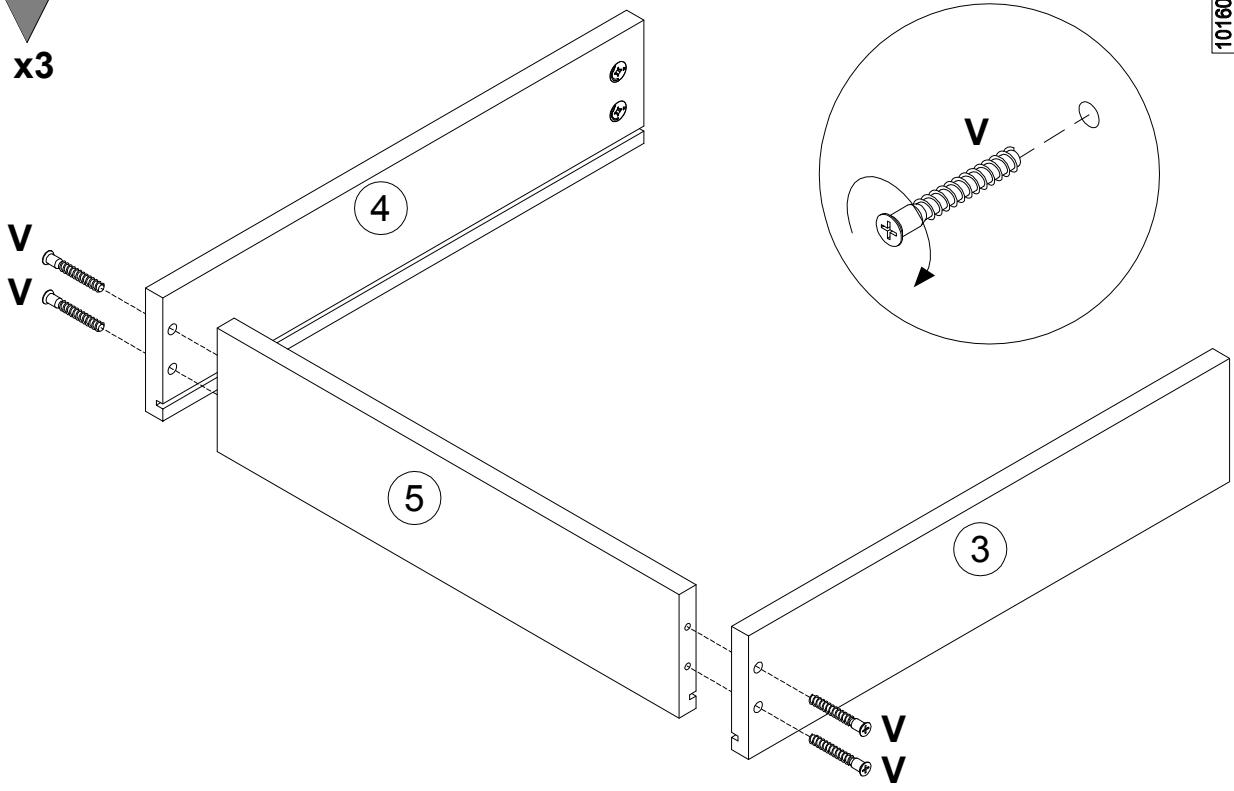
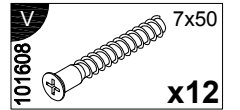
13

x3



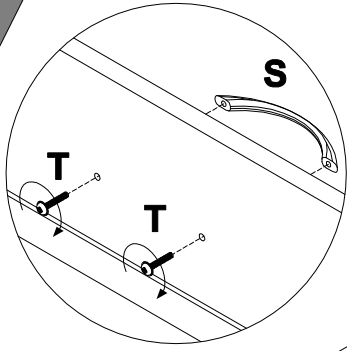
14

x3

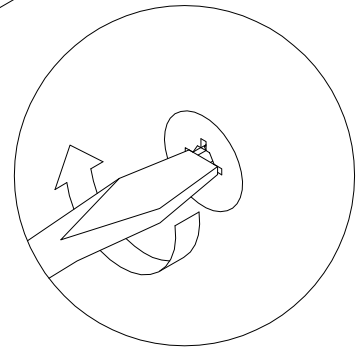
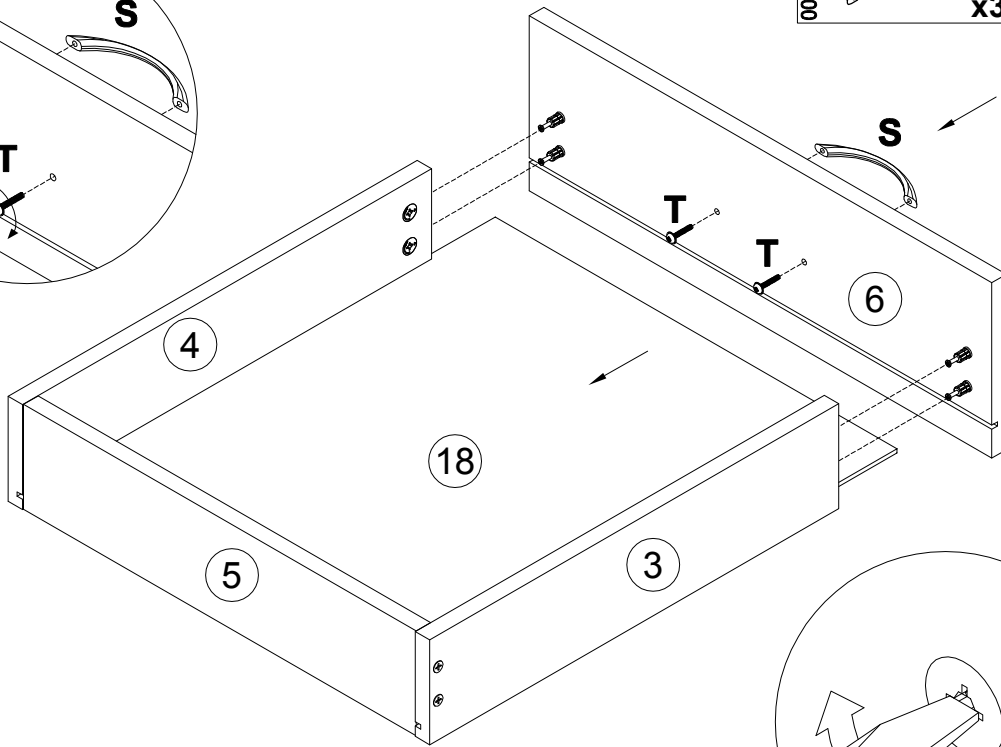


15

x3



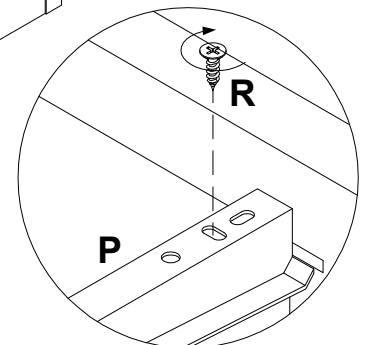
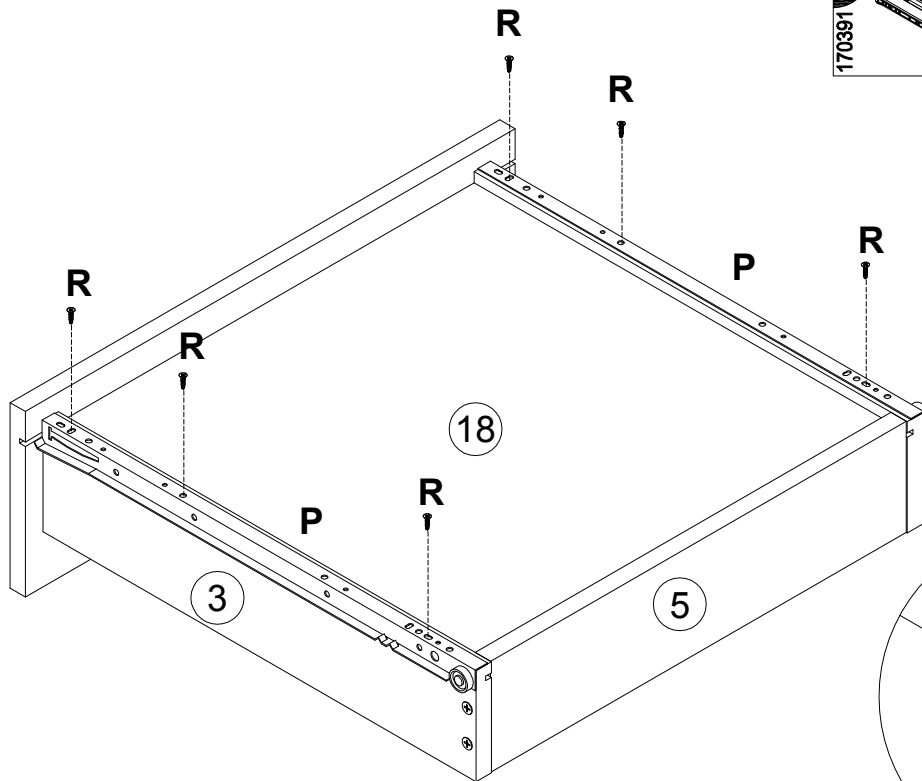
S 006911		x3	T 002704		M4x20	x6
--------------------	--	----	--------------------	--	-------	----

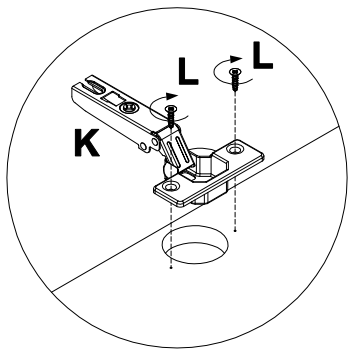
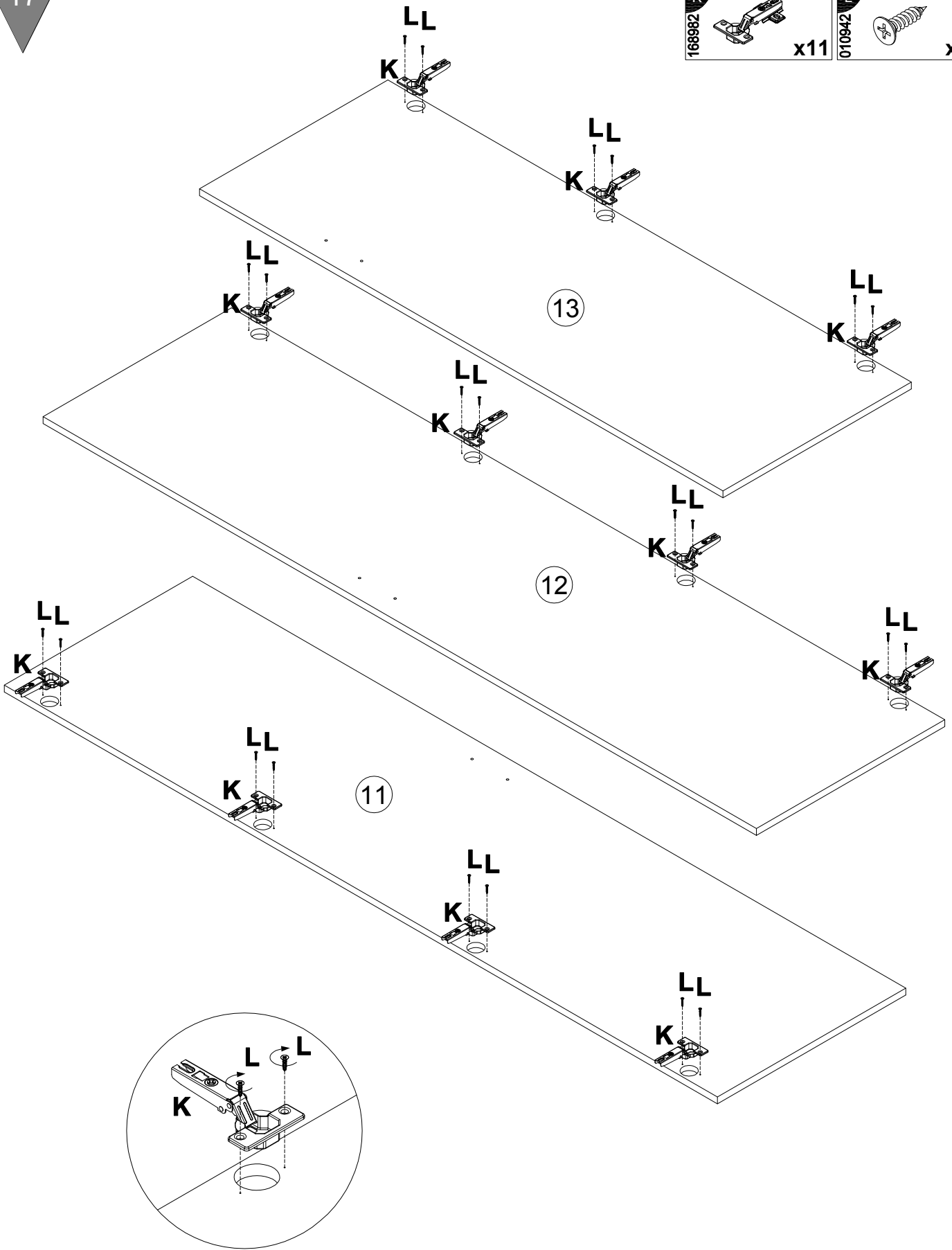
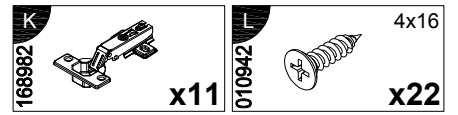


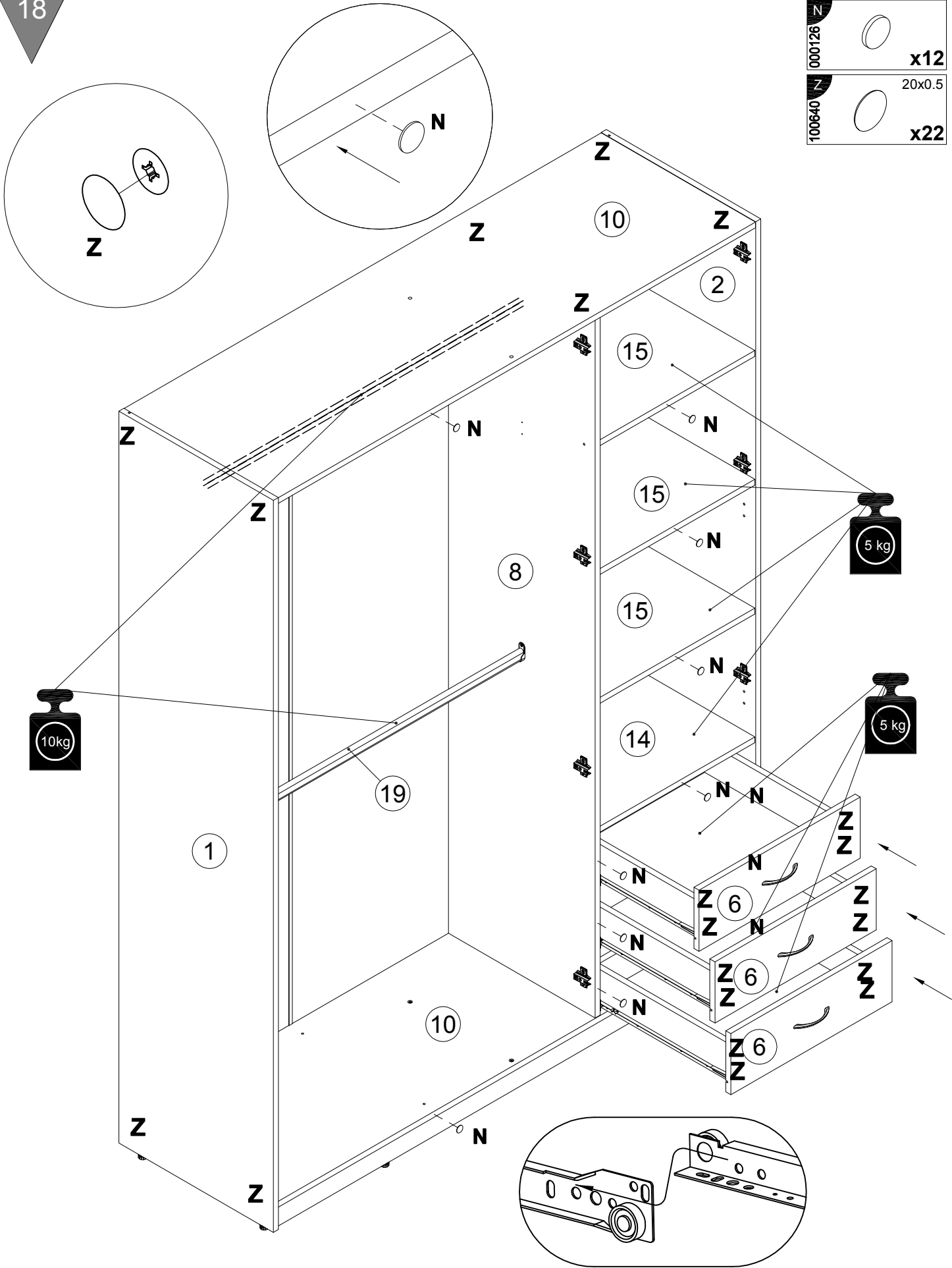
16



x3

P 170391		L450	x3	R 000767		3x13	x18
--------------------	--	------	----	--------------------	--	------	-----







 006911 x3	 002704 M4x20 x6
---	--

