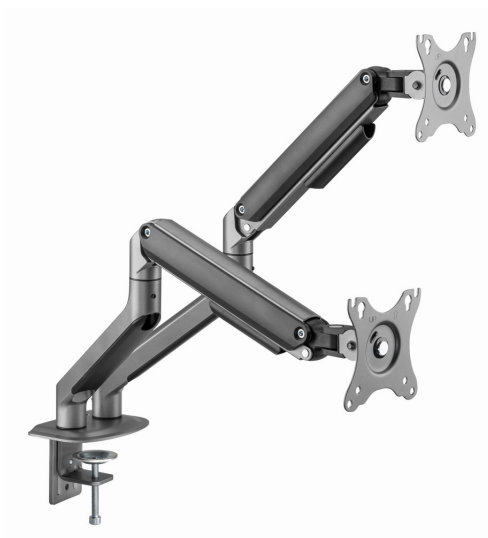


MA-DA2-05

Desk mounted adjustable double monitor arm, space grey

- Position your screen perfectly
- Lightweight and tilting design



Features

- Monitor desk mount with double monitor arms
- Arms rotate, extend and retract, tilt to change reading angles, and allow to rotate displays from landscape-to-portrait mode, etc
- Enables easy ergonomic positioning for reduced strain
- Works with almost any LCD monitor (max. 32")
- Durable adjustable gas-springs suitable for monitors of 2.9 kg

- Strong desk clamp or grommet for easy and secure fixation on your desk
- Built-in cable management for an organized and neat workspace

Packaging

Q'ty in crtn, pcs	4
Crtn volume, CUM	0.055515625
Crtn weight, kgs	18.5
Individual package size LxWxH:	460x255x100 mm
Carton size LxWxH:	475x275x425 mm
Country of origin	CN
Barcode	8716309127714
Customs code	8302500000

Package contents

Desk arm
User manual
Mounting tools bag

Certificates



Specifications

Material: aluminum, steel, plastic
Surface finish: powder coating
Color: space grey
Fit screen size: 17" ~ 32"
Weight capacity: 2 ~ 9 kg (per display)
VESA compatible: 75 x 75, 100 x 100 mm
Tilt range: +55 ° ~ -55 °
Swivel range: +90 ° ~ -90 °
Screen Rotation: +180 ° ~ -180 °
Installation: Desk clamp or grommet
Max. desk thickness: Clamp: 10 ~ 85 mm, Grommet: 10 ~ 40 mm

Cable management: Yes
Net weight: 3.85 kg
Dimensions: 970 x 107 x 578 mm