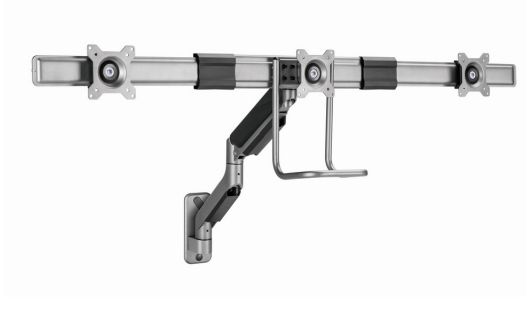


MA-WA3-01

# Wall mounted adjustable monitor arm for 3 monitors

- Position your screen perfectly
- Lightweight and tilting design



## Features

- Monitor wall mount with single arm for 3 monitors
- Arm rotates, extends and retracts, tilts to change reading angles
- Monitor mount bar for side-by-side mounting of 3 monitors
- Enables easy ergonomic positioning for reduced strain
- Works with almost any LCD monitor (max. 27")
- Durable adjustable gas-spring suitable for monitors of 1 6 kg
- Built-in cable management for an organized and neat workspace
- VESA compatible (100 x 100 mm and 75 x 75 mm)

## Packaging

Q'ty in crtn, pcs	2
Crtn volume, CUM	0.065024
Crtn weight, kgs	20.31
Individual package size LxWxH:	620x300x150 mm
Carton size LxWxH:	635x320x320 mm
Country of origin	CN
Barcode	8716309127677
Customs code	8302500000

## Package contents

Wall arm  
User manual  
Mounting tools bag

## Specifications

Material: aluminum, steel, plastic  
Surface finish: powder coating  
Color: space grey  
Fit screen size: 17" ~ 27"  
Weight capacity: 1 ~ 6 kg (per display)  
VESA compatible: 75 x 75, 100 x 100 mm  
Tilt range: +10 ° ~ -10 °  
Swivel range: +10 ° ~ -10 °  
Screen Rotation: +180 ° ~ -180 °  
Installation: wall mounted  
Cable management: Yes  
Net weight: 7.7 kg  
Dimensions: 1440 x 700 x 665 mm

## Certificates

