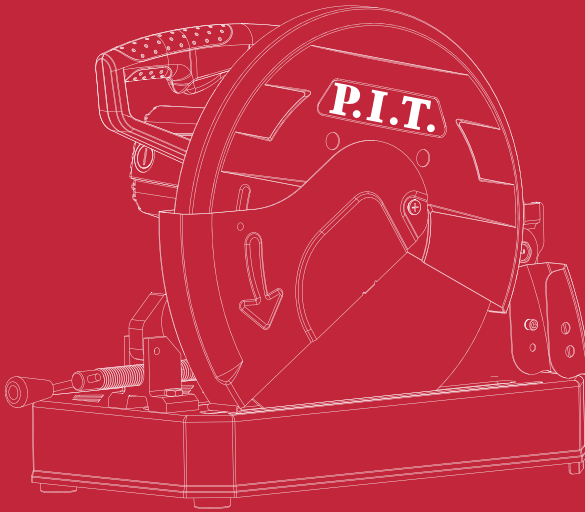


P.I.T.

PCM355-C2



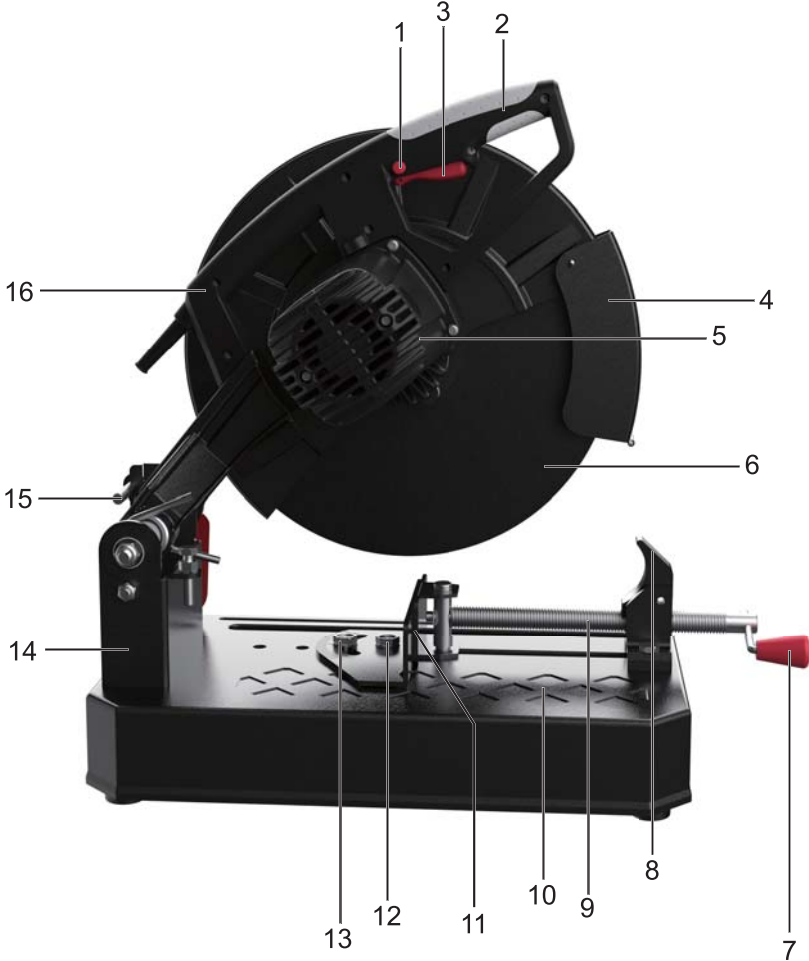
CUT-OFF MACHINE ПИЛА ОТРЕЗНАЯ ПО МЕТАЛЛУ

2600W

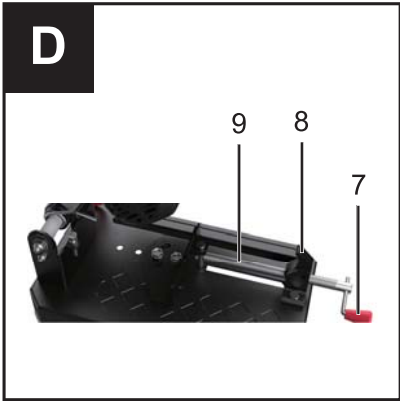
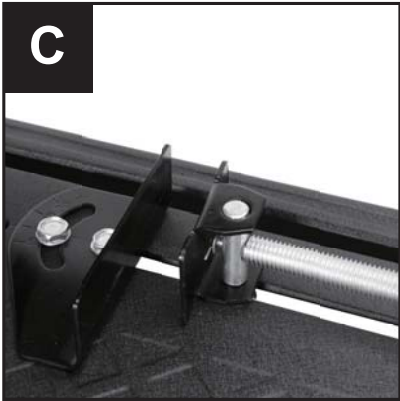
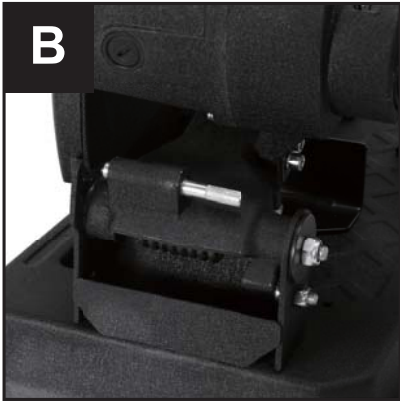
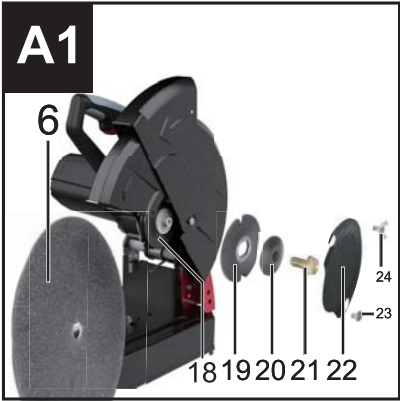
**Powerful
Efficient**

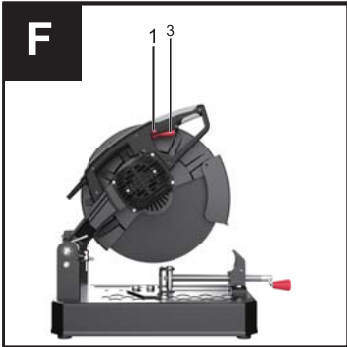
Please read the instruction manual carefully before use!
Пожалуйста, внимательно прочтите инструкцию перед использованием!












English

Safety Notes

General Power Tool Safety Warnings

 **WARNING** Read all safety warnings and all instructions. Failure to follow the warnings and instructions may result in electric shock, fire and/or serious injury. Save all warnings and instructions for future reference.

The term "power tool" in the warnings refers to your mainsoperated(corded) power tool or battery operated (cordless) power tool.

Work area safety

- ▶ **Keep work area clean and well lit.** Cluttered or dark areas invite accidents.
- ▶ **Do not operate power tools in explosive atmospheres, such as in the presence of flammable liquids, gases or dust.** Power tools create sparks which may ignite the dust or fumes.
- ▶ **Keep children and bystanders away while operating a power tool.** Distractions can cause you to lose control.

Electrical safety

- ▶ **Power tool plugs must match the outlet. Never modify the plug in any way. Do not use any adapter plugs with earthed (grounded) power tools.** Unmodified plugs and matching outlets will reduce risk of electric shock.
- ▶ **Avoid body contact with earthed or grounded surfaces, such as pipes, radiators, ranges and refrigerators.** There is an increased risk of electric shock if your body is earthed or grounded.
- ▶ **Do not expose power tools to rain or wet conditions.** Water entering a power tool will increase the risk of electric shock.
- ▶ **Do not abuse the cord. Never use the cord for carrying, pulling or unplugging the power tool. Keep cord away from heat, oil, sharp edges and moving parts.** Damaged or entangled cords increase the risk of electric shock.
- ▶ **When operating a power tool outdoors, use an extension cord suitable for outdoor use.** Use of a cord suitable for outdoor use reduces the risk of electric shock.
- ▶ **If operating a power tool in a damp location is unavoidable, use a residual current device (RCD) protected supply.** Use of an RCD reduces the risk of electric shock.

Personal safety

- ▶ **Stay alert, watch what you are doing and use common sense when operating a power tool. Do not use a power tool while you are tired or under the influence of drugs, alcohol or medication.** A moment of inattention while operating power tools may result in serious personal injury.
- ▶ **Use personal protective equipment. Always wear eye protection.** Protective equipment such as dust mask, non-skid safety shoes, hard hat, or hearing protection used for appropriate conditions will reduce personal injuries.
- ▶ **Prevent unintentional starting. Ensure the switch is in the off-position before connecting to power source and/or battery pack, picking up or carrying the tool.** Carrying power tools with your finger on the switch or energising power tools that have the switch on invites accidents.
- ▶ **Remove any adjusting key or wrench before turning the power tool on.** A wrench or a key left attached to a rotating part of the power tool may result in personal injury.
- ▶ **Do not overreach. Keep proper footing and balance at all times.** This enables better control of the power tool in unexpected situations.
- ▶ **Dress properly. Do not wear loose clothing or jewellery. Keep your hair, clothing and gloves away from moving parts.** Loose clothes, jewellery or long hair can be caught in moving parts.
- ▶ **If devices are provided for the connection of dust extraction and collection facilities, ensure these are connected and properly used.** Use of dust collection can reduce dust-related hazards.
- ▶ **Good knowledge of power tools, obtained as a result of frequent use, should not lead to overconfidence and ignorance safety techniques power tools.** One-negligent action behind a second can lead serious injury.
- ▶ **ATTENTION!** In the event of the occurrence interruption in the operation of the power tool, due to full or partial power outages or damage to the control circuit power supply, install a switch in the off position, making sure she doesn't blocked (when available). Disable plug or disconnect removable battery, This uncontrolled restart.

Power tool use and care

- ▶ **Do not force the power tool. Use the correct power tool for your application.** The correct power tool will do the job better and safer at the rate for which it was designed.
- ▶ **Do not use the power tool if the switch does not turn it on and off.** Any power tool that cannot be controlled with the switch is dangerous and must be repaired.
- ▶ **Disconnect the plug from the power source and/or the battery pack from the power tool before making any adjustments, changing accessories, or storing power tools.** Such preventive safety measures reduce the risk of starting the power tool accidentally.
- ▶ **Store idle power tools out of the reach of children and do not allow persons unfamiliar with the power tool or these instructions to operate the power tool.** Power tools are dangerous in the hands of untrained users.
- ▶ **Maintain power tools. Check for misalignment or binding of moving parts, breakage of parts and any other condition that may affect the power tool's operation. If damaged, have the power tool repaired before use.** Many accidents are caused by poorly maintained power tools.
- ▶ **Keep cutting tools sharp and clean.** Properly maintained cutting tools with sharp cutting edges are less likely to bind and are easier to control.
- ▶ **Use the power tool, accessories and tool bits etc. in accordance with these instructions, taking into account the working conditions and the work to be performed.** Use of the power tool for operations different from those intended could result in a hazardous situation.

Safety warnings for cut-off grinder

- ▶ **Use this cut-off saw for cutting ferrous metals only.** Do not cut wood or brickwork cutting saw. Do not cut magnesium or magnesium alloys. Failure to comply with this requirements can lead to serious injury.
- ▶ **People who are near must take a position outside the plane the rotation of the circle.** operator from the wreckage of the circle contact
- ▶ **Acceptable number of worker revolutions tool should be at least the spec-**

ified power tool maximum number of revolutions. Worker tool rotating larger than acceptable, speed, may burst and scatter in space.

- ▶ **Never stand on the power tool.** Serious injuries could occur when the power tool tips over or when accidentally coming into contact with the cutting disc.
- ▶ **Always use the blade guard.** A blade guard protects the user against broken off parts of the cutting disc and against accidental touching of the cutting disc.
- ▶ **Make sure that the guard operates properly and that it can move freely.** Never lock the guard in place when opened.
- ▶ **Use the power tool only for dry cutting.** Water penetrating into a power tool increases the risk of an electric shock.
- ▶ **Keep the mains cable away from rotating application tools.** The mains cable can be cut through or get caught.
- ▶ **Keep handles dry, clean, and free from oil and grease.** Greasy, oily handles are slippery causing loss of control.
- ▶ **Never remove cutting remainders, metal chips, etc. from the cutting area while the machine is running.** Always guide the tool arm back to the neutral position first and then switch the machine off.
- ▶ **Guide the cutting disc against the workpiece only when the machine is switched on.** Otherwise, there is danger of kickback, when the cutting disc becomes wedged in the workpiece.
- ▶ **Operate the power tool only when the work area to the workpiece is clear of any adjusting tools, metal chips, etc.** Small pieces of metal or other objects that come in contact with the rotating cutting disc can strike the operator with high speed.
- ▶ **Always firmly clamp the workpiece. Do not cut workpieces that are too small to clamp.** Otherwise, the clearance of your hand to the rotating cutting disc is too small.
- ▶ **If the cutting disc becomes jammed, switch the machine off and wait until the cutting disc comes to a complete stop. Never attempt to remove a still running cutting disc from the cut, otherwise there is danger of kickback.** Determine and correct the cause for the jamming.
- ▶ **After switching off, do not stop the cutting disc by applying lateral pressure to**

it. The cutting disc can become damaged, break or lead to kickback.

- ▶ **Do not force the cutting disc into the workpiece and do not apply too much pressure when using the power tool. Particularly avoid jamming or wedging the cutting disc when working corners or sharp edges.** When the cutting disc is damaged due to abuse, cracks can form that can lead to breakage without prior warning.
- ▶ **Wear a work apron. Pay attention that other persons are not put at risk from sparking. Remove flammable materials in close vicinity.**
- ▶ **Do not use damaged, out-of-centre or vibrating cutting discs.** Damaged cutting discs cause increased friction, binding of the cutting disc and kickback.
- ▶ **Always use cutting discs with correct size and shape of arbor holes.** Cutting discs that do not match the mounting hardware of the cut-off grinder will run eccentrically, causing loss of control.
- ▶ **Do not attach a saw chain woodcarving blade or toothed saw blade.** Such blades create frequent kickback and loss of control.
- ▶ **Observe the operating instructions of the cut-off wheel manufacturer for assembly and use of the cut-off wheel.** Cut-off wheels that do not fit can lead to injury as well as to jamming, breaking or kickback.
- ▶ **Do not use accessories which are not specifically designed and recommended by the tool manufacturer.** Just because the accessory can be attached to your power tool, it does not assure safe operation.
- ▶ **Do not touch the cutting disc after working before it has cooled.** The cutting disc becomes very hot while working.
- ▶ **Check the cable regularly and have a damaged cable repaired only through an authorised customer service agent for P.I.T. power tools. Replace damaged extension cables.** This will ensure that the safety of the power tool is maintained.
- ▶ **Store the machine in a safe manner when not being used. The storage location must be dry and lockable.** This prevents the machine from storage damage, and from being operated by untrained persons.
- ▶ **Never leave the machine before it has**

come to a complete stop. Cutting tools that are still running can cause injuries

Product description and specifications



Read all safety warnings and all instructions. Failure to follow the warnings and instructions may result in electric shock, fire and/or serious injury.

Intended use

Power tools are used as stationary tool for performing smooth longitudinal and transverse cuts up to 45 ° in metal materials using saw blades without water applications.

Product features

The numbering of the components shown refers to the representation of the power tool on the graphic pages.

- 1 Lock-off button for On/Off switch
- 2 Handle
- 3 On/Off switch
- 4 Retracting blade guard
- 5 Spindle lock
- 6 Cutting disc
- 7 Spindle handle
- 8 Quick-release button
- 9 Clamping spindle
- 10 Base plate
- 11 Angle stop
- 12 Locking screw for angle stop
- 13 Mounting holes
- 14 Tool arm
- 15 Transport safety-lock
- 16 Transport handle
- 17 Blade guard
- 18 Tool spindle
- 19 Clamping flange
- 20 Washer
- 21 Hexagon bolt
- 22 cover
- 23 Fixing screw
- 24 Clamping nut

Technical Parameters

Model	PCM355-C2
Rated voltage	220 V~/50 Hz
Rated output power	2600 W
Rated speed	3800 r/min
Saw blade diameter	Ø355 mm(14")
Weight	16 kg

Contents of delivery

- | | |
|-----------------|------|
| Cut-Off Machine | 1 pc |
| Hex wrench | 1 pc |
| cutting disk | 1 pc |

Instruction manual

1 pc

Note

Since the product is constantly being improved, P.I.T. reserves the right to make changes to the specifications and product specifications specified here without prior notice.

Assembly

► **Pull the plug out of the socket before carrying out any work on the power tool.**

Note: Check the power tool for possible damage.

Before continuing to use the power tool, carefully check that all protective devices or slightly damaged parts are working perfectly and according to specifications. Check that the moving parts are working perfectly and without jamming;

check whether any parts are damaged. All parts must be fitted correctly and all the conditions necessary to ensure smooth operation must be met.

Damaged safety devices and components must be professionally repaired by an authorized specialist workshop or replaced.

Flexible mounting**Changing the tool (see figures A–A1)**

► **Before any work on the machine itself, pull the mains plug.**

► **Actuate the spindle lock only when the tool spindle is stopped.** Otherwise, the machine can become damaged.

► **Do not touch the cutting disc after working before it has cooled. The cutting disc becomes very hot while working.**

Use only cutting discs that have an equal or higher maximal allowable speed than the no-load speed of your power tool.

Place unused cutting discs in an enclosed container or in the original packaging. Store cutting discs lying flat.

Removing the cutting disc

- Bring the power tool into the working position.
- Swing back the retracting blade guard to the stop.
- Turn the hexagon bolt using the hex key provided and at the same time press the spindle lock until it engages.
- Hold the spindle lock pressed and unscrew the hexagon bolt.
- Remove the washer and the clamping flange.
- Remove the cutting disc.

Installing the cutting disc

If required, clean all parts to be mounted prior to assembly.

- Mount the new cutting disc onto the tool spindle in such a manner that its label faces away from the tool arm.

- Mount the clamping flange.

Press the spindle lock until it engages and retighten the hexagon bolt turning in clockwise direction. (Tightening torque approx. 18–20 Nm).

- Slowly guide the retracting blade guard down until the cutting disc is covered off.

- Make sure that the retracting blade guard operates properly.

After mounting the cutting disc and before switching on, check whether the cutting disc is properly mounted and if it can rotate freely.

- Make sure that the cutting disc does not graze against the retracting blade guard, the blade guard or against other parts.

- Run the machine for approx. 30 seconds.

Should significant vibrations occur, switch off the machine immediately; remove and install the cutting disc again.

Operation

► **Before any work on the machine itself, pull the mains plug.**

Transport Safety (see figure B)

The transport safety-lock enables easier handling of the machine when transporting to various working locations.

Releasing the machine (working position)

- Push the tool arm by the handle down a little in order to relieve the transport safety-lock.

- Pull the transport safety-lock completely outward.

- Guide the tool arm slowly upward.

Note: When working, pay attention that the transport safetylock is not pushed inwards. Otherwise, the tool arm cannot be lowered to the requested depth.

Securing the machine (transport position)

- Guide the tool arm downward until the transport safetylock can be pushed completely inward.

Adjusting the cutting angle (see figure C)

The mitre angle can be set in a range from 0° to 45°.

Frequently used mitre angles are identified on the angle stop with appropriate markings. The 0° and 45° position are set at the respective end stop.

- Loosen the locking screws for the angle

stop using the hex key provided.

- Adjust the desired angle and firmly tighten both locking screws again.

Displacing the angle stop (see figure C and D)

You can displace the angle stop backward.

- Completely unscrew the locking screws using the hex key provided.
- Move the angle stop toward the rear by one or two holes to the desired clearance.
- Adjust the desired angle and firmly tighten both locking screws again.

Clamping the workpiece (see figure D)

To ensure optimum working safety, the workpiece must always be firmly clamped.

Do not saw workpieces that are too small to clamp.

Long workpieces must be underlaid or supported at their free end.

- Place the workpiece against the angle stop.
- Slide the clamping spindle against the workpiece and firmly clamp the workpiece with the spindle handle.

Loosening the workpiece

- Loosen the spindle handle.
- Tilt up the quick release and pull the clamping spindle away from the workpiece.

Starting operation

- ▶ **Observe correct mains voltage! The voltage of the power source must agree with the voltage specified on the nameplate of the machine. Power tools marked with 230 V can also be operated with 220 V.**
- ▶ **Check the cutting disc before using. The cutting disc must be properly mounted and must rotate freely. Carry out a 30 second (min.) test run with no load. Do not use damaged, out-of-centre or vibrating cutting discs.**

Damaged cutting discs can burst and cause injuries.

Dust from materials such as lead-containing coatings, minerals and metal can be harmful to one's health. Contact with or inhaling the dust can trigger allergic reactions to the operator or bystanders and/or lead to respiratory infections.

Certain metal dust is considered hazardous, especially in conjunction with alloys such as zinc, aluminium or chromium. Materials containing asbestos may only be worked by specialists.

- Provide for good ventilation of the working

place.

- It is recommended to wear a filter-class respirator.

Observe the relevant regulations in your country for the materials to be worked.

The blade can be blocked by dust, chips or workpiece fragments in the slot of the base plate.

- Switch the machine off and pull the mains plug from the socket outlet.
- Wait until the cutting disc has come to a complete stop.
- Tilt the machine toward the rear, so that small workpiece fragments can fall out of the opening intended for this purpose.

If required, use a suitable tool to remove all workpiece fragments.

▶ **Prevent dust accumulation at the workpiece.** Dust can easily ignite.

Position of the operator (see figure E)

- ▶ **Do not stand in a line with the cutting disc in front of the machine. Always stand aside of the cutting disc.** This measure provides for better protection of your body against possible splinters in case of cutting disc breakage.

Switching On and Off (see figure F)

To save energy, only switch the power tool on when using it.

- To start the machine, firstly press the lock-off button 1. Then press the On/Off switch 3 and keep it pressed.

Note: For safety reasons, the On/Off switch 3 cannot be locked; it must remain pressed during the entire operation.

- To switch off the machine, release the On/Off switch 3.

Working advice

General cutting instructions

- ▶ **Do not touch the cutting disc after working before it has cooled.** The cutting disc becomes very hot while working.
- ▶ **Make sure that the spark guard is properly mounted.** Sparking occurs when cutting metal.

Protect the cutting disc against impact, shock and grease. Do not subject the cutting disc to lateral pressure.

Do not strain the power tool so heavily that it comes to a standstill.

Excessive feed considerably reduces the performance capability of the machine and shortens the service life of the cutting disc.

Use only cutting discs that are suitable for the material to be worked.

Maintenance and service

Maintenance and cleaning

- ▶ Before any work on the machine itself, pull the mains plug.
- ▶ For safe and proper working, always keep the machine and ventilation slots clean.
- ▶ The pendulum guard must always move freely and close independently. Therefore, always keep the area around the pendulum guard clean.
- ▶ After each work step, remove dust and chips with a compressed air jet or brush.

When the battery is no longer operative, please refer to an authorised after-sales service agent for P.I.T. power tools.

Service

Have your power tool repaired only by qualified personnel and only with original replacement parts. This ensures the safety of the power tool.

The list of authorized service centers can be viewed on the official website of P.I.T. by the link: <https://pittools.ru/services/>

Storage and transportation

Store the instrument in an enclosed area with natural ventilation in its packaging at an air temperature from 0 ° C to + 50 ° C and an air humidity of no more than 80%.

Products can be transported by any type of closed transport in the manufacturer's packaging or without it, while preserving the product from mechanical damage, atmospheric precipitation. Remove the exchange tool from the power tool before transporting it.

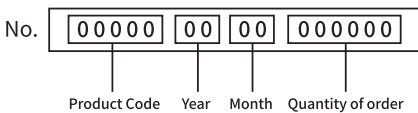
Dispose of waste

Damaged power tools, batteries, accessories and waste packaging materials must be recycled and reused in

an environmentally friendly manner.

Do not throw power tools and accumulators / batteries into general household waste!

Product serial number interpretation serial number



The date of manufacture of the product is encoded in the serial number printed on the body of the tool. The first 2 digits indicate the year of issue, the next 2 digits indicate the

month.

TERMS OF WARRANTY SERVICE

To customers (users) of warranty service:

1. This warranty certificate is the only document that confirms your right to free warranty service. If this proof is not presented, no claims will be accepted. Warranty certificates cannot be recovered if lost or damaged.

2. It is required to provide a valid and legal document for purchasing the product. The document must have the name or seal of the sales company; at the same time, state the full model name of the purchased P.I.T. product, the serial number on the nameplate of the fuselage, and the date of purchase, and the required warranty. The whole machine and its accessories.

The warranty period:

1. The warranty period of the product is 12 months from the date of sale. During the warranty period, the service department will eliminate manufacturing defects free of charge and replace the parts that fail due to the manufacturer's fault. In warranty repair, an equivalent operable product is not provided. Replaceable parts become the property of the service provider.

2. The wear degree on the diameter of the motor rotor commutator is less than 0.4 mm (except for brushless motor tools), and the internal damage caused by the quality of the tool belongs to the warranty.

The following situations occur during the warranty period, which is not covered by the warranty:

1. In the absence of any valid legal documents (invoices) such as warranty certificates and warranty cards to prove the date of purchase.

2. Damage caused by natural wear and overload. (For example, motor rotor and stator failure caused by overload, scorching or melting of the primary winding of the welding machine transformer, charging or starting the charging device, melting of internal parts, burning of electronic circuit boards, etc.)

3. The casing and power cord are mechanically damaged, as well as damage caused by corrosive media and high and low temperature, foreign objects entering the ventilation network of the motor, and damage caused by improper storage (corrosion of metal parts);

4. Damage caused by improper carrying, transportation and storage by users.

5. Products that are opened, repaired, re-

placed or modified by users themselves.

6. Any damage caused by indiscriminate use, beyond the scope of use of the tool, and not in accordance with the instructions for use and maintenance. (see chapter "Safety Precautions" in the manual);

7. The damage caused by the following situations is not guaranteed due to improper use and non-quality problems:

(1) When the power tool is running at high speed, use the braking device to forcibly stop the rotation.

(2) Excessive pressure is applied to the tool during the use of the tool.

(3) Use the tool outside the scope of its purpose and capabilities.

(4) Damage caused by the tool working in a dusty environment for a long time without timely maintenance of the tool.

(5) Change the rotation direction of the work head before the tool stops completely.

(6) Shock the battery or charger and replace the plug of the charger without permission, causing damage to the battery or charger.

(7) Damage caused by two-stroke gasoline tools not being fueled in the correct proportions.

The warranty does not include:

1. Replacement of accessories (accessories and components) such as batteries, discs, blades, drills, chucks, chains, sprockets, collet clamps, guide rails, tension and fastening elements, dresser heads, grinders And belt sander base machine, hexagonal head, etc.;

2. Wearing parts, such as: carbon brushes, transmission belts, seals, protective covers, guide rollers, guide rails, rubber seals, bearings, toothed belts and wheels, shanks, brake belts, starter ratchets and ropes, piston rings Wait.

The above accessories are replaced with paid services during the warranty period;

Русский

Указания по технике безопасности
Общие указания по технике безопасно-
сти для электроинструментов

⚠ ПРЕДУПРЕЖДЕНИЕ
Прочтите все указания и инструк-
ции по технике безопасности.

Несоблюдение указаний и инструкций по
технике безопасности может стать причи-
ной поражения электрическим током, пожа-
ра и тяжелых травм.

**Сохраняйте эти инструкции и указания
для будущего использования.**

Использованное в настоящих инструкциях
и указаниях понятие «электроинструмент»
распространяется на электроинструмент с
питанием от сети (с сетевым шнуром) и на
аккумуляторный электроинструмент (без
сетевого шнура).

Безопасность рабочего места

- ▶ Содержите рабочее место в чистоте и
хорошо освещенным. Беспорядок или
неосвещенные участки рабочего места
могут привести к несчастным случаям.
- ▶ Не работайте с этим электроинстру-
ментом во взрывоопасном помеще-
нии, в котором находятся горючие
жидкости, воспламеняющиеся газы
или пыль. Электроинструменты искрят,
что может привести к воспламенению
пыли или паров.
- ▶ Во время работы с электроинстру-
ментом не допускайте близко к Ва-
шему рабочему месту детей и посто-
ронних лиц. Отвлечшись, Вы можете
потерять контроль над электроинстру-
ментом.

Электробезопасность

- ▶ Штепсельная вилка электроинстру-
мента должна подходить к штепсель-
ной розетке. Ни в коем случае не
изменяйте штепсельную вилку. Не
применяйте переходные штекеры
для электроинструментов с защит-
ным заземлением. Неизменные
штепсельные вилки и подходящие
штепсельные розетки снижают риск по-
ражения электротоком.
- ▶ Предотвращайте телесный контакт
с заземленными поверхностями, как
то: с трубами, элементами отопления,
кухонными плитами и холодильника-
ми. При заземлении Вашего тела повы-
шается риск поражения электротоком.
- ▶ Защищайте электроинструмент от

дождя и сырости. Проникновение воды
в электроинструмент повышает риск по-
ражения электротоком.

- ▶ Не разрешается использовать шнур
не по назначению, например, для
транспортировки или подвески элек-
троинструмента, или для вытягива-
ния вилки из штепсельной розетки.
Защищайте шнур от воздействия
высоких температур, масла, острых
кромки или подвижных частей элек-
троинструмента. Поврежденный или
спутанный шнур повышает риск пораже-
ния электротоком.
- ▶ При работе с электроинструментом
под открытым небом применяйте
пригодные для этого кабелиудли-
нители. Применение пригодного для
работы под открытым небом кабеля-уд-
линителя снижает риск поражения элек-
тротоком.
- ▶ Если невозможно избежать приме-
нения электроинструмента в сыром
помещении, подключайте электроин-
струмент через устройство защитного
отключения. Применение устройства
защитного отключения снижает риск
электрического поражения.

Безопасность людей.

- ▶ Будьте внимательными, следите за
тем, что Вы делаете, и продуманно
начинайте работу с электроинстру-
ментом. Не пользуйтесь электроин-
струментом в усталом состоянии
или если Вы находитесь в состоянии
наркотического или алкогольного
опьянения или под воздействием ле-
карств. Один момент невнимательно-
сти при работе с электроинструментом
может привести к серьезным травмам.
- ▶ Применяйте средства индивидуаль-
ной защиты и всегда защитные очки.
Использование средств индивидуальной
защиты, как то: защитной маски, обуви
на нескользящей подошве, защитного
шлема или средств защиты органов
слуха, – в зависимости от вида работы
с электроинструментом снижает риск
получения травм.
- ▶ Предотвращайте непреднамеренное
включение электроинструмента.
Перед подключением электроин-
струмента к электропитанию и/или к
аккумулятору убедитесь в выключен-
ном состоянии электроинструмента.

Удержание пальца на выключателе при транспортировке электроинструмента и подключение к сети питания включенного электроинструмента чревато несчастными случаями.

- ▶ **Убирайте установочный инструмент или гаечные ключи до включения электроинструмента.** Инструмент или ключ, находящийся во вращающейся части электроинструмента, может привести к травмам.
- ▶ **Не принимайте неестественное положение корпуса тела. Всегда занимайте устойчивое положение и сохраняйте равновесие.** Благодаря этому Вы можете лучше контролировать электроинструмент в неожиданных ситуациях.
- ▶ **Носите подходящую рабочую одежду. Не носите широкую одежду и украшения.** Держите волосы, одежду и рукавицы вдали от движущихся частей. Широкая одежда, украшения или длинные волосы могут быть затянuty вращающимися частями.
- ▶ **При наличии возможности установите пылеотсасывающих и пылесборных устройств проверяйте их присоединение и правильное использование.** Применение пылеотсоса может снизить опасность, создаваемую пылью.
- ▶ **Хорошее знание электроинструментов, полученное в результате частого их использования, не должно приводить к самоуверенности и игнорированию техники безопасности обращения с электроинструментами.** Одно небрежное действие за долю секунды может привести к серьезным травмам.
- ▶ **ВНИМАНИЕ!** В случае возникновения перебоев в работе электроинструмента, в следствии полного или частичного прекращения энергоснабжения или повреждения цепи управления энергоснабжением, установите выключатель в положение Выкл, убедившись, что он не заблокирован (пригоналичии). Отключите сетевую вилку от розетки или отсоедините съёмный аккумулятор. Этим предотвращается неконтролируемый повторный запуск.

Применение электроинструмента и обращение с ним

- ▶ **Не перегружайте электроинструмент. Используйте для Вашей работы предназначенный для этого электро-**

инструмент. С подходящим электроинструментом Вы работаете лучше и надежнее в указанном диапазоне мощности.

- ▶ **Не работайте с электроинструментом при неисправном выключателе.** Электроинструмент, который не поддается включению или выключению, опасен и должен быть отремонтирован.
- ▶ **До начала наладки электроинструмента, перед заменой принадлежностей и прекращением работы отключайте штепсельную вилку от розетки сети и/или выньте аккумулятор.** Эта мера предосторожности предотвращает непреднамеренное включение электроинструмента.
- ▶ **Храните электроинструменты в недоступном для детей месте. Не разрешайте пользоваться электроинструментом лицам, которые не знакомы с ним или не читали настоящих инструкций.** Электроинструменты опасны в руках неопытных лиц.
- ▶ **Тщательно ухаживайте за электроинструментом.** Проверяйте безупречную функцию и ход движущихся частей электроинструмента, отсутствие поломок или повреждений, отрицательно влияющих на функцию электроинструмента. Поврежденные части должны быть отремонтированы до использования электроинструмента. Плохое обслуживание электроинструментов является причиной большого числа несчастных случаев.
- ▶ **Держите режущий инструмент в заточенном и чистом состоянии.** Заботливо ухоженные режущие инструменты с острыми режущими кромками режут заклиниваются и их легче вести.
- ▶ **Применяйте электроинструмент, принадлежности, рабочие инструменты и т.п. в соответствии с настоящими инструкциями.** Учитывайте при этом рабочие условия и выполняемую работу. Использование электроинструментов для непредусмотренных работ может привести к опасным ситуациям.

Указания по технике безопасности для отрезных пил по металлу

- ▶ **Используйте данную отрезную пилу только для резки черных металлов.** Запрещается резать деревянные или

- кирпичные заготовки при помощи данной отрезной пилы. Запрещается резать магниевые или магниевые сплавы. Несоблюдение этого требования может привести к серьезной травме.
- ▶ **Вы и находящиеся вблизи лида олжны занять положение за пределами лоскости вращения круга.** Защитный кожух защищает оператора от обломков круга и случайного контакта с ним.
 - ▶ **Допустимое число оборотов рабочего инструмента должно быть не менее указанного на электроинструменте максимального числа оборотов.** Рабочий инструмент, вращающийся с большей, чем допустимо, скоростью, может разорваться и разлететься в пространстве.
 - ▶ **Никогда не становитесь на электроинструмент.** Опрокидывание электроинструмента или случайное прикосновение к отрезному кругу чревато серьезными травмами.
 - ▶ **Всегда используйте защитный кожух.** Защитный кожух защищает оператора от обломков отрезного круга и случайного прикосновения к отрезному кругу.
 - ▶ **Обеспечьте исправную функцию маятникового защитного кожуха и его свободное движение.** Никогда не фиксируйте защитный кожух в открытом состоянии.
 - ▶ **Используйте электроинструмент только для сухой резки.** Проникновение воды внутрь электроинструмента увеличивает риск поражения электротоком.
 - ▶ **Держите шнур питания на расстоянии от вращающихся рабочих инструментов.** Рабочий инструмент может перерезать или захватить шнур питания.
 - ▶ **Содержите рукоятки пилы в сухом и чистом состоянии и своевременно удаляйте попавшие на них масло и жиры.** Жирные или замасленные рукоятки становятся скользкими, что ведет к потере контроля над пилой.
 - ▶ **Никогда не удаляйте остатки отрезанного материала, металлическую стружку и т.д. из зоны резания при работающем электроинструменте.** Вначале приведите кронштейн рабочего инструмента в состояние покоя и лишь затем выключайте электроинструмент.
 - ▶ **Подводите отрезной круг к обрабатываемой заготовке только во включенном состоянии.** Иначе существует опасность рикошета, если отрезной круг застрянет в заготовке.
 - ▶ **На рабочей поверхности должна находиться только обрабатываемая заготовка, на ней не должно быть каких-либо настроечных инструментов, металлической стружки и т. д.** Небольшие осколки металла или другие предметы, к которым может прикоснуться вращающийся отрезной круг, могут на большой скорости отскочить в Вашем направлении.
 - ▶ **Всегда крепко зажимайте подлежащую обработке заготовку. Не обрабатывайте заготовки, которые невозможно зажать ввиду их малых размеров.** Иначе расстояние от руки до вращающегося отрезного круга будет слишком малым.
 - ▶ **Если отрезной круг заклинил, выключите электроинструмент и подождите, пока отрезной круг не остановится.** Никогда не пытайтесь вытащить из прорези еще вращающийся отрезной круг, иначе это может привести к рикошету. Выясните и устраните причину заклинивания.
 - ▶ **После выключения электроинструмента не тормозите отрезной круг боковым прижимом.** Это может повредить отрезной круг, поломать его или привести к рикошету.
 - ▶ **Не забивайте отрезной круг с силой в заготовку, во время работы не нажимайте очень сильно на электроинструмент.** Особенно при обработке углов, острых краев и т. п. избегайте заклинивания отрезного круга. Трещины, образовавшиеся в отрезном круге вследствие неправильного пользования, могут без предварительных признаков привести к разлому круга.
 - ▶ **Надевайте защитный фартук.** Следите за тем, чтобы другие лица не подвергались опасности вследствие разлетающихся искр. Удаляйте горячие материалы, находящиеся поблизости.
 - ▶ **Не используйте поврежденный, неровный или вибрирующий отрезной круг.** Поврежденные отрезные круги приводят к сильному трению, заклиниванию отрезного круга и рикошету.
 - ▶ **Применяйте всегда отрезные круги с правильными размерами и с соответ-**

ствующим посадочным отверстием.

Отрезные круги, не соответствующие крепежным частям отрезной машины, вращаются с биением и ведут к потере контроля над инструментом.

- ▶ **Не применяйте пильные цепи или пильные полотна.** Такие рабочие инструменты часто становятся причиной обратного удара или потери контроля над электроинструментом.
- ▶ **Соблюдайте инструкцию производителя отрезных кругов в отношении монтажа и применения отрезного круга.** Неподходящие отрезные круги могут привести к травмам, заклиниванию, разлому или рикошету.
- ▶ **Не применяйте принадлежности, которые не предусмотрены изготовителем специально для настоящего электроинструмента и не рекомендуются им.** Одна только возможность крепления принадлежностей на Вашем электроинструменте не гарантирует еще их надежное применение.
- ▶ **После работы не прикасайтесь к отрезному кругу, пока он не остынет.** Отрезной круг очень нагревается во время работы.
- ▶ **Регулярно проверяйте шнур питания и отдавайте поврежденный шнур в ремонт только в авторизованную сервисную мастерскую для электроинструментов P.I.T.. Меняйте поврежденные удлинители.** Это необходимо для обеспечения безопасности электроинструмента.
- ▶ **Храните электроинструмент, которым Вы не пользуетесь, в надежном месте. Место для хранения должно быть сухим и должно закрываться на ключ.** Этим предотвращается возможность повреждения электроинструмента при хранении или вследствие использования неопытными лицами.
- ▶ **Никогда не отходите от электроинструмента до его полной остановки.** Электроинструменты на выбеге могут стать причиной травм.

Описание продукта и услуг

Прочтите все указания и инструкции по технике безопасности. Упущения в отношении указаний и инструкций по технике безопасности могут стать причиной поражения электрическим током, пожара и тяжелых травм.

Пожалуйста, откройте раскладную страницу с иллюстрациями электроинструмента и оставляйте ее открытой, пока Вы изучаете руководство по эксплуатации.

Применение по назначению

Электроинструмент используется в качестве стационарного инструмента для выполнения ровных продольных и поперечных разрезов под углом до 45° в металлических материалах с помощью пильных дисков без применения воды.

Изображенные составные части

Нумерация представленных компонентов выполнена по изображению на странице с иллюстрациями.

- 1 Блокатор выключателя
- 2 Рукоятка
- 3 Выключатель
- 4 Маятниковый защитный кожух
- 5 Фиксатор шпинделя
- 6 Отрезной круг
- 7 Ручка шпинделя
- 8 Быстрая разблокировка
- 9 Фиксирующий шпиндель
- 10 Опорная плита
- 11 Угловой упор
- 12 Фиксирующий винт углового упора
- 13 Отверстия для крепления
- 14 Кронштейн
- 15 Транспортный предохранитель
- 16 Ручка для переноски
- 17 Защитный кожух
- 18 Инструментальный шпиндель
- 19 Прижимной фланец
- 20 Подкладная шайба
- 21 Ключ-шестигранник
- 22 крышка
- 23 Крепежный винт
- 24 Зажимная гайка

Технические характеристики

Модель	PCM355-C2
Номинальное напряжение/частота	220 В / 50 Гц
Номинальная мощность	2600 Вт
Частота вращения, об/мин	3800 об/мин
Диаметр пильного диска	Ø355 мм(14")
Вес	16 кг

Комплект поставки

Пила Отрезная По Металлу 1 шт
Ключ 1 шт

отрезной диск	1 шт
Инструкция по эксплуатации	1 шт

Примечание

Так как изделие постоянно совершенствуется, P.I.T. оставляет за собой право на внесение изменений в указанные здесь технические характеристики и комплектацию изделия без предварительного уведомления.

Сборка

Предотвращайте непреднамеренный запуск электроинструмента. Во время монтажа и всех других работ с электроинструментом штепсельная вилка должна быть отключена от сети питания.

Указание: Проверьте электроинструмент на предмет возможных повреждений.

Перед использованием электроинструмента следует тщательно проверить защитные устройства и компоненты с легкими повреждениями на предмет безупречной и соответствующей назначению функции. Проверьте безупречную функцию, свободный ход и исправность подвижных частей. Все части должны быть правильно установлены и выполнять все условия для обеспечения безупречной работы.

Поврежденные защитные устройства и компоненты должны быть отремонтированы со знанием дела в специализированной мастерской или заменены.

Замена рабочего инструмента (см. рис. А-А1)

- ▶ **Перед любыми манипуляциями с электроинструментом вытаскивайте штепсель из розетки.**
- ▶ **Нажимайте фиксатор шпинделя только после полной остановки шпинделя рабочего инструмента 20.** Иначе возможно повреждение электроинструмента.
- ▶ **После работы не прикасайтесь к отрезному кругу, пока он не остынет.** Отрезной круг очень нагревается во время работы.

Используйте только отрезные круги, допустимая максимальная скорость которых выше, чем число оборотов Вашего электроинструмента на холостом ходу.

Храните неиспользованные отрезные круги в закрытой емкости или в оригинальной упаковке. Храните отрезные круги в горизонтальном положении.

Демонтаж отрезного круга

- Приведите электроинструмент в рабо-

чее положение.

- Откиньте маятниковый защитный кожух до упора назад.
- Поверните шестигранный винт с помощью прилагающегося ключа-шестигранника и одновременно прижмите фиксатор шпинделя, чтобы он вошел в зацепление.
- Удерживайте фиксатор шпинделя нажатым и выкрутите винт с шестигранной головкой.
- Снимите подкладную шайбу и прижимной фланец.
- Снимите отрезной круг.

Монтаж отрезного круга

При необходимости очистите перед монтажом все монтируемые части.

- Наденьте новый отрезной круг на шпиндель рабочего инструмента, чтобы наклейка смотрела в направлении от кронштейна.
- Установите прижимной фланец, подкладную шайбу и винт.

Нажмите на фиксатор шпинделя, чтобы он вошел в зацепление, и опять затяните шестигранный винт по часовой стрелке. (Момент затяжки прибл. 18–20 Нм)

- Медленно опустите маятниковый защитный кожух вниз, чтобы он прикрыл отрезной круг.
- Убедитесь в том, что маятниковый защитный кожух работает правильно.

После монтажа отрезного круга и перед включением электроинструмента проверьте, правильно ли смонтирован отрезной круг и может ли он свободно вращаться.

- Убедитесь в том, что отрезной круг не касается маятникового защитного кожуха, неподвижного защитного кожуха или других деталей электроинструмента.
- Включите электроинструмент прибл. на 30 секунд. Если при этом отрезной круг сильно вибрирует, немедленно выключите электроинструмент, снимите отрезной круг и снова монтируйте его.

Работа с инструментом

- ▶ **Перед любыми манипуляциями с электроинструментом вытаскивайте штепсель из розетки.**

Транспортный предохранитель (см. рис. В)

Транспортный предохранитель облегчает транспортировку электроинструмента к различным местам работы.

Снятие транспортного предохранителя

- Взявшись за ручку, слегка опустите кронштейн рабочего инструмента вниз для снятия нагрузки с транспортного предохранителя.
- Вытяните полностью транспортный предохранитель наружу.
- Осторожно поднимите кронштейн рабочего инструмента.

Указание: Во время работы следите за тем, чтобы транспортный предохранитель не был прижат, иначе Вы не сможете опустить кронштейн на необходимую высоту.

Активирование транспортного предохранителя

Переместите кронштейн рабочего инструмента вниз настолько, чтобы можно было полностью вжать транспортный предохранитель.

Настройка угла распила (см. рис. С)

Угол распила можно настроить в диапазоне от 0° до 45°. Основные углы распила обозначены соответствующим образом на угловом упоре. Углы 0° и 45° можно настроить с помощью соответствующего конечного упора.

- Ослабьте фиксирующие винты углового упора с помощью входящего в комплект поставки ключа-шестигранника (8 мм).
- Настройте необходимый угол и снова затяните оба фиксирующих винта.

Смещение углового упора (см. рис. С и D)

Вы можете сместить угловой упор назад.

- Полностью выкрутите фиксирующие винты с помощью входящего в комплект поставки ключа-шестигранника (8 мм).
- Переставьте угловой упор на необходимое расстояние на одно или два отверстия назад.
- Настройте необходимый угол и снова затяните оба фиксирующих винта.

Закрепление заготовки (см. рис. D)

Для обеспечения оптимальной безопасности труда всегда закрепляйте заготовку.

Не обрабатывайте заготовки, размеры которых недостаточны для крепления.

Свободный конец длинных заготовок должен лежать на опоре.

- Приложите заготовку к угловому упору.
- Приставьте фиксирующий шпindel к заготовке и зажмите заготовку с помощью ручки шпинделя.

Снятие крепления детали

- Ослабьте ручку шпинделя.
- Откиньте быструю разблокировку и отодвиньте фиксирующий шпindel от заготовки.

Включение электроинструмента

► **Учитывайте напряжение сети! Напряжение источника тока должно соответствовать данным на заводской табличке электроинструмента. Электроинструменты на 230 В могут работать также и при напряжении 220 В.**

► **Проверьте отрезной круг перед включением. Отрезной круг должен быть безупречно смонтирован и в состоянии свободно вращаться. Выполните пробное включение без нагрузки минимум на 30 секунд. Не используйте поврежденные, неровные или вибрирующие отрезные круги. Поврежденные отрезные круги могут расколоться и привести к травмам.**

Пыль таких материалов, как напр., свинцовосодержащие лакокрасочные покрытия, минералы и металл, может быть вредной для здоровья. Контакт с пылью или вдыхание пыли может вызвать у оператора или находящихся поблизости людей аллергические реакции и/или стать причиной заболеваний дыхательных путей.

Некоторые виды металлической пыли вредны, в особенности в комбинации со сплавами, напр., цинка, алюминия или хрома. Поручайте обработку содержащего асбест материала только специалистам.

- Хорошо проветривайте рабочее место.
- Рекомендуется пользоваться респираторной маской с фильтром класса.

Соблюдайте действующие в Вашей стране предписания для обрабатываемых материалов.

Вследствие попадания пыли, стружки или обломков заготовки в отверстие опорной плиты возможно заклинивание отрезного круга.

- Выключите электроинструмент и вытащите штепсель из розетки.
- Подождите, пока отрезной круг полностью не остановится.
- Наклоните электроинструмент назад, чтобы мелкие части заготовки выпали из предусмотренного отверстия. Используйте при необходимости соответствующий инструмент для удаления всех частей заготовки.

► Избегайте скопления пыли на рабочем месте. Пыль может легко воспламениться.

Положение оператора (см. рис. Е)

► Не стойте перед электроинструментом в одну линию с отрезным кругом, стоять нужно всегда сбоку от отрезного круга. При поломке отрезного круга Вы сможете таким образом лучше защитить себя от разлетающихся осколков.

Включение и выключение (см. рис. F)

В целях экономии электроэнергии включайте электроинструмент только тогда, когда Вы собираетесь работать с ним.

– Для **включения** нажмите сначала блокиратор выключателя.

– Затем нажмите выключатель и удерживайте его нажатым.

Указание: По причинам безопасности выключатель не может быть зафиксирован и при работе следует постоянно нажимать на него.

– Для **выключения** отпустите выключатель.

Указания по применению

Общие указания для резания

► После работы не прикасайтесь к отрезному кругу, пока он не остынет. Отрезной круг очень нагревается во время работы.

► Убедитесь в том, что защита от искр смонтирована должным образом. При шлифовании металлов разлетаются искры.

Защищайте отрезной круг от ударов, толчков или жирных пятен. Не нажимайте на отрезной круг сбоку.

Не нагружайте электроинструмент до такой степени, чтобы он остановился.

Слишком большая подача значительно сокращает производительность работы электроинструмента и сокращает срок службы отрезного круга.

Используйте только отрезные круги, которые подходят для Вашего материала.

Техобслуживание и сервис

Техобслуживание и очистка

► Перед любыми манипуляциями с электроинструментом вытаскивайте штепсель из розетки.

► Для обеспечения качественной и безопасной работы содержите электроинструмент и вентиляционные прорези в чистоте.

► Маятниковый защитный кожух дол-

жен всегда свободно двигаться и самостоятельно закрываться. Поэтому всегда держите в чистоте участок вокруг маятникового защитного кожуха.

► После каждой рабочей операции удаляйте пыль и стружку струей сжатого воздуха или кисточкой.

Если требуется поменять шнур, во избежание опасности обращайтесь на фирму P.I.T или в авторизованную сервисную мастерскую для электроинструментов P.I.T.

Сервис

Ремонт вашего электроинструмента поручайте только квалифицированному персоналу и только с применением оригинальных запасных частей. Этим обеспечивается безопасность электроинструмента.

Список авторизованных сервисных центров можно посмотреть на официальном сайте P.I.T. по ссылке: <https://pittools.ru/services/>

Хранение и транспортировка

Храните инструмент в закрытых помещениях с естественной вентиляцией в упаковке при температуре воздуха от 0°C до +50°C и влажности воздуха не более 80%.

Транспортировать продукцию можно любым видом закрытого транспорта в упаковке производителя или без нее, с сохранением изделия от механических повреждений, атмосферных осадков. Перед транспортировкой извлеките сменный инструмент из электроинструмента.

Утилизация

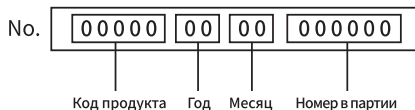


Отслужившие свой срок электроинструменты,

принадлежащие и упаковку следует сдавать на экологически чистую переработку отходов.

Утилизируйте электроинструмент отдельно от бытового мусора

Расшифровка даты изготовления изделия



Дата изготовления изделия зашифрована в серийном номере, напечатанном на корпусе инструмента. Первые 2 цифры обозначают год выпуска, следующие 2 цифры – месяц.

УСЛОВИЯ ГАРАНТИЙНОГО ОБСЛУЖИВАНИЯ

1. Настоящее гарантийное свидетельство является единственным документом, подтверждающим ваше право на бесплатное гарантийное обслуживание. Без предъявления данного свидетельства претензии не принимаются. В случае утери или порчи гарантийное свидетельство не восстанавливается.

2. Гарантийный срок указан в гарантийном сертификате. В течение гарантийного срока сервисная служба бесплатно устраняет производственные дефекты и производит замену деталей, вышедших из строя по вине изготовителя. На период гарантийного ремонта эквивалентный исправный инструмент не предоставляется. Заменяемые детали переходят в собственность служб сервиса.

Компания Р.І.Т. не несет ответственности за вред, который может быть причинен при работе с электроинструментом.

3. В гарантийный ремонт инструмент принимается в чистом виде, при обязательном наличии надлежащим образом оформленных документов: настоящего гарантийного свидетельства, гарантийного талона, с полностью заполненными полями, штампом торговой организации и подписью покупателя.

4. Гарантийный ремонт не производится в следующих случаях:

- при отсутствии гарантийного свидетельства и гарантийного талона или неправильном их оформлении;
- степень износа диаметра коллектора ротора двигателя превышает 0,4 мм (за исключением инструментов с бесщеточным двигателем);
- при совместном выходе из строя якоря и статора электродвигателя, при обугливание или оплавлении первичной обмотки трансформатора сварочного аппарата, зарядного или пуско-зарядного устройства, при оплавлении внутренних деталей, прожиге электронных плат и других случаях;
- если гарантийное свидетельство или талон не принадлежат данному электроинструменту или не соответствует установленному поставщиком образцу;
- по истечении срока гарантии;
- при попытках самостоятельного вскрытия или ремонта электроинструмента вне гарантийной мастерской;

- внесения конструктивных изменений и смазки инструмента в гарантийный период, о чем свидетельствуют, например, заломы на шлицевых частях крепежа корпусных деталей;

- при использовании электроинструмента в производственных или иных целях, связанных с получением прибыли, а также при возникновении неисправностей связанных с нестабильностью параметров электросети, превышающих нормы, установленные ГОСТ;

- при неправильной эксплуатации, использованию электроинструмента не по назначению, указанному в инструкции по эксплуатации, указанки на электроинструмент не предназначенных заводом-изготовителем насадок, дополнительных приспособлений и т.п.;

- при механических повреждениях корпуса, сетевого шнура и при повреждениях, вызванных воздействиями агрессивных средств и высоких и низких температур, попадании инородных предметов в вентиляционные решетки электроинструмента, а также при повреждениях, наступивших в результате неправильного хранения (коррозия металлических частей);

- при естественном износе деталей электроинструмента, в результате длительной эксплуатации (определяется по признакам полной или частичной выработки ресурса, сильного загрязнения, ржавчины снаружи и внутри электроинструмента, отработанной смазки в редукторе);

- при возникновении повреждений в связи с несоблюдением предусмотренных инструкцией условий эксплуатации (см. главу «Указание по технике безопасности» в инструкции).

- при повреждении изделия вследствие несоблюдения правил хранения и транспортировки;

- при сильном внутреннем загрязнении инструмента;

- при работе с перегрузкой бензоинструмента, изменении цвета чашки и муфты сцепления в результате перегрева;

- при обрыве шнура стартера при условии исправности остальных деталей пускового устройства;

- на все виды работ, выполняемые при периодическом техническом обслуживании (регулировки, чистке, замене расходных материалов и др.);

- на неисправности, возникшие в резуль-

тате нарушения требований и правил эксплуатации, установленным паспортом изделия. Например, перегрев изделия, несоблюдение требований к составу и качеству топливной смеси, повлекших выход из строя поршневой группы (безусловным признаком этого является залегание поршневого кольца и/или наличие царапин и потертостей на внутренней поверхности цилиндра и поверхности поршня, разрушение или оплавление опорных подшипников шатуна и поршневого пальца);

- на внешние и внутренние загрязнения, царапины, трещины, повреждения, возникшие в процессе эксплуатации или транспортировки.

- при работе электроинструментом с перегрузкой и заклиниванием оснастки, о чем свидетельствуют задиры, изменение цвета от температуры упорных и прижимных шайб, зажимного патрона, выхода из строя редуктора.

Профилактическое обслуживание электроинструмента (чистка, промывка, смазка, замена пыльников, поршневых и уплотнительных колец) в гарантийный период является платной услугой.

Срок службы изделия составляет 3 года.

Срок хранения – 2 года. Не рекомендуется к эксплуатации по истечении 2 лет хранения с даты изготовления, которая указана в серийном номере на этикетке инструмента, без предварительной проверки (определение даты выпуска смотрите ранее в Руководстве пользователя).

О возможных нарушениях, изложенных выше условий гарантийного обслуживания, владельцу сообщается после проведения диагностики в сервисном центре. Владелец инструмента доверяет проведение диагностики в сервисном центре в свое отсутствие.

Запрещается эксплуатация электроинструмента при проявлении признаков повышенного нагрева, искрения, а также шума в редукторной части. Для выяснения причин неисправности покупателю следует обратиться в гарантийную мастерскую.

Неисправности, вызванные несвоевременной заменой угольных щеток двигателя, устраняются за счет покупателя.

5.Гарантия не распространяется на:

- сменные принадлежности (аксессуары и оснастка), например: аккумуляторы, диски, ножи, сверла, буры, патроны, цепи, звездочки, цанговые зажимы, шины, элементы

натяжения и крепления, головки триммеров, подошвы шлифовальных и ленточных машин, фильтры, головки шестигранные сменные насадки и т.п.

- быстроизнашивающиеся детали, например: угольные щетки, приводные ремни, сальники, защитные кожухи, направляющие ролики, направляющие, резиновые уплотнения, подшипники, зубчатые ремни и колеса, стволы, ленты тормоза, храповики и тросы стартеров, поршневые кольца и т.п.

Замена их в течение гарантийного срока является платной услугой.

- шнуры питания, в случае повреждения изоляции. В данном случае потребитель должен быть уведомлен и ремонт (услуга платная) должен быть выполнен после согласия потребителя. Если потребитель не согласен на замену, то в любом ремонте этого инструмента будет отказано. Факт отказа должен быть зафиксирован в гарантийном талоне или квитанции сервисного центра и подписан владельцем.

P.I.T. WARRANTY CERTIFICATE



Product Name _____
 Product Serial Number
 Charger Serial Number
 Sale Date _____
 Trade Organization Name _____

Dear customer!
 Thank you for purchasing the P.I.T. tool, and we hope that you will be satisfied with your choice. In the process of manufacturing the P.I.T. tools pass multilevel quality control, if nevertheless your product will need maintenance, please contact the authorized P.I.T. service centers.

Attention!
 When buying, ask a seller to check the completeness and operability of the tool, to fill out the Warranty Certificate, the Warranty Card (the boxes shall be filled out by a seller) and to affix the seal of the trade organization in the Guarantee Certificate and the Warranty Card.

Warranty
 By this Warranty Certificate, P.I.T. company guarantees the absence of defects of the production nature.

In the event any of the above defects are detected during the warranty period, the specialized P.I.T. service centers shall repair the product and replace the defective spare parts free of charge.

The warranty period for P.I.T. electric machines is 12 months from the date of sale.

“The warranty maintenance terms acknowledged and accepted. The operability and completeness of the product are checked in my presence. No claims on quality and appearance.”

Buyer’s Signature _____ Surname (legibly) _____
 Phone _____

ГАРАНТИЙНОЕ СВИДЕТЕЛЬСТВО НА ИНСТРУМЕНТ P.I.T.

Наименование изделия _____

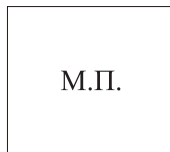
Серийный номер изделия □□□□□□□□□□

Серийный номер зарядного устройства □□□□□□□□□□

Дата продажи « ____ » _____

Наименование торговой организации _____

Уважаемый покупатель!



Благодарим Вас за покупку инструмента P.I.T. и надеемся, что Вы останетесь довольны своим выбором.

При необходимости обслуживания Вашего изделия обращайтесь в авторизованные сервисные центры P.I.T. Все сервисные центры представлены на сайте www.pittools.ru

Внимание!

При покупке требуйте у продавца проверки работоспособности инструмента и его комплектности, а также заполнения гарантийного свидетельства, гарантийного талона (графы «Заполняются продавцом») и простановки печати торговой организации в гарантийном свидетельстве и гарантийных талонах.

Гарантия

На основании данного гарантийного свидетельства компания P.I.T. гарантирует отсутствие дефектов производственного характера.

Если в течение гарантийного срока в Вашем изделии обнаружатся указанные дефекты, то специализированные сервисные центры P.I.T. бесплатно отремонтируют изделие и заменят дефектные запасные части.

Гарантийный срок на электроинструменты P.I.T. составляет 12 месяцев со дня продажи.

«С условиями гарантийного обслуживания ознакомлен(а). Работоспособность и комплектность изделия проверены в моем присутствии. Претензий к качеству и внешнему виду не имею».

Подпись покупателя _____ Фамилия (разборчиво) _____

Телефон _____

P.I.T. WARRANTY CARD

Name _____ Serial Number _____ Sale Date _____ 20__ Date of Receipt from Repair _____ 20__	P.I.T.		№ 1
	Name _____		Place of Seal
	Serial Number _____		
	Sale Date _____ 20__		
	(Filled out by a Seller)		
	WARRANTY REPAIR CARD		
	Date of Acceptance for Repair _____ 20__		
	Application for Repair _____		
	Customer _____		
	Phone (Address) _____		
	Cause of Application _____		
	Date of Receipt from Repair _____ 20__		
The Tool is checked in my presence _____			
(The Order shall be performed in a Service Center) (Signature)			

Name _____ Serial Number _____ Sale Date _____ 20__ Date of Receipt from Repair _____ 20__	P.I.T.		№ 2
	Name _____		Place of Seal
	Serial Number _____		
	Sale Date _____ 20__		
	(Filled out by a Seller)		
	WARRANTY REPAIR CARD		
	Date of Acceptance for Repair _____ 20__		
	Application for Repair _____		
	Customer _____		
	Phone (Address) _____		
	Cause of Application _____		
	Date of Receipt from Repair _____ 20__		
The Tool is checked in my presence _____			
(The Order shall be performed in a Service Center) (Signature)			

Name _____ Serial Number _____ Sale Date _____ 20__ Date of Receipt from Repair _____ 20__	P.I.T.		№ 3
	Name _____		Place of Seal
	Serial Number _____		
	Sale Date _____ 20__		
	(Filled out by a Seller)		
	WARRANTY REPAIR CARD		
	Date of Acceptance for Repair _____ 20__		
	Application for Repair _____		
	Customer _____		
	Phone (Address) _____		
	Cause of Application _____		
	Date of Receipt from Repair _____ 20__		
The Tool is checked in my presence _____			
(The Order shall be performed in a Service Center) (Signature)			

ГАРАНТИЙНЫЙ ТАЛОН P.I.T.

P.I.T.

Талон № 1

Наименование _____

Серийный номер _____

Дата продажи « ____ » _____ 20__

(Заполняется продавцом)

Место печати
или штампа

КАРТА ГАРАНТИЙНОГО РЕМОНА

Дата приема ремонт _____ 20__

Заявка на ремонт _____

Заказчик _____

Телефон (адрес) _____

Причина обращения _____

Дата получения от ремонта _____ 20__

Инструмент проверен в моем присутствии _____

(Заказ заполняется в Сервисном Центре) (Подпись)

Наименование _____
 Серийный номер _____
 Дата продажи _____ 20__
 Дата получения от ремонта _____ 20__

P.I.T.

Талон № 2

Наименование _____

Серийный номер _____

Дата продажи « ____ » _____ 20__

(Заполняется продавцом)

Место печати
или штампа

КАРТА ГАРАНТИЙНОГО РЕМОНА

Дата приема ремонт _____ 20__

Заявка на ремонт _____

Заказчик _____

Телефон (адрес) _____

Причина обращения _____

Дата получения от ремонта _____ 20__

Инструмент проверен в моем присутствии _____

(Заказ заполняется в Сервисном Центре) (Подпись)

Наименование _____
 Серийный номер _____
 Дата продажи _____ 20__
 Дата получения от ремонта _____ 20__

P.I.T.

Талон № 3

Наименование _____

Серийный номер _____

Дата продажи « ____ » _____ 20__

(Заполняется продавцом)

Место печати
или штампа

КАРТА ГАРАНТИЙНОГО РЕМОНА

Дата приема ремонт _____ 20__

Заявка на ремонт _____

Заказчик _____

Телефон (адрес) _____

Причина обращения _____

Дата получения от ремонта _____ 20__

Инструмент проверен в моем присутствии _____

(Заказ заполняется в Сервисном Центре) (Подпись)

Наименование _____
 Серийный номер _____
 Дата продажи _____ 20__
 Дата получения от ремонта _____ 20__



P.I.T.

Media account



pit_global



PIT Global



YouTube PIT Global



+7 7073005064 +86 15305798923



bod@pit-tools.com



www.pit-tools.com/