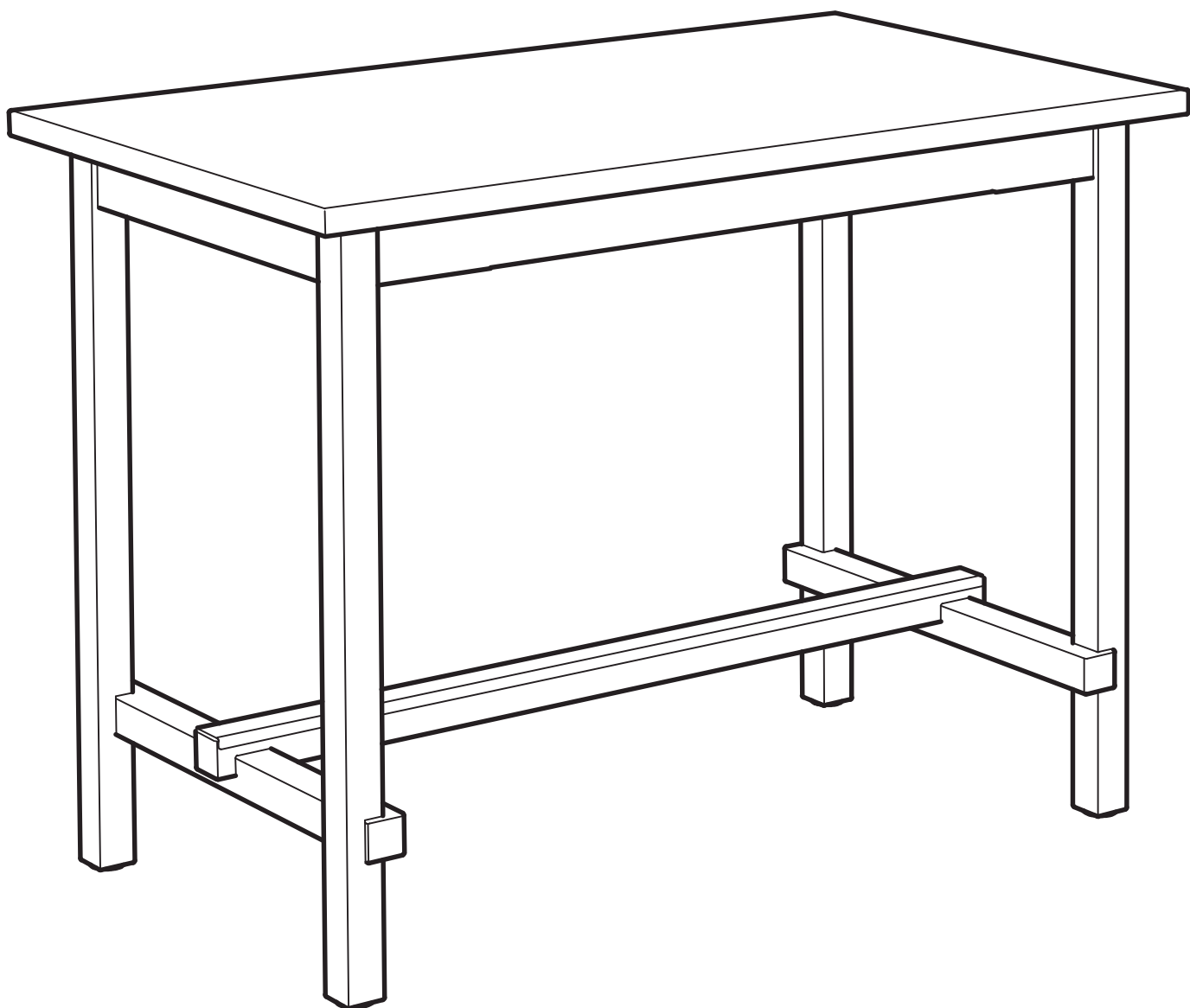
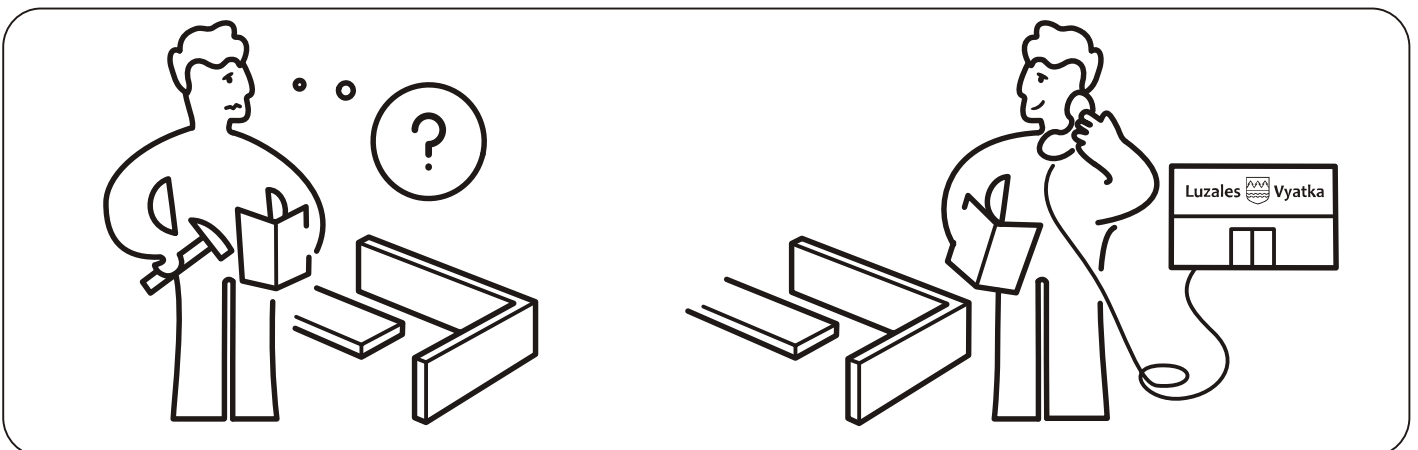
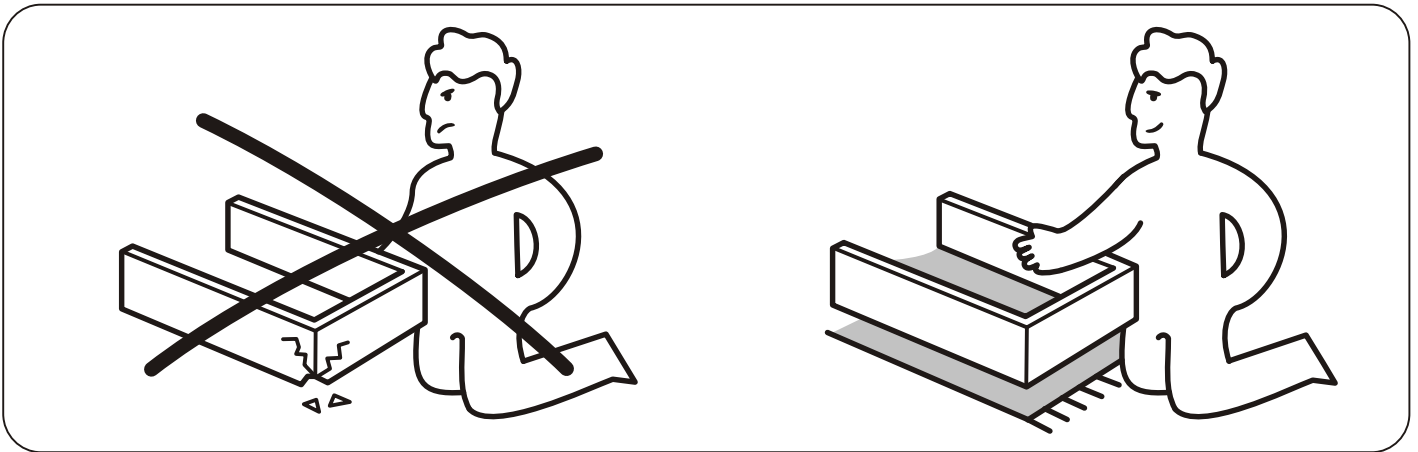
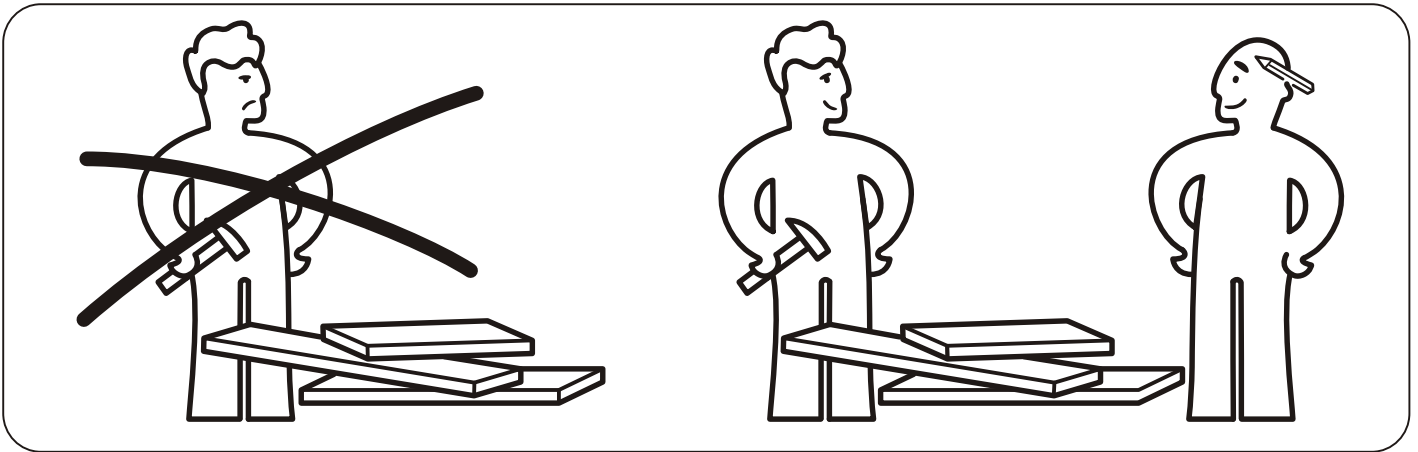
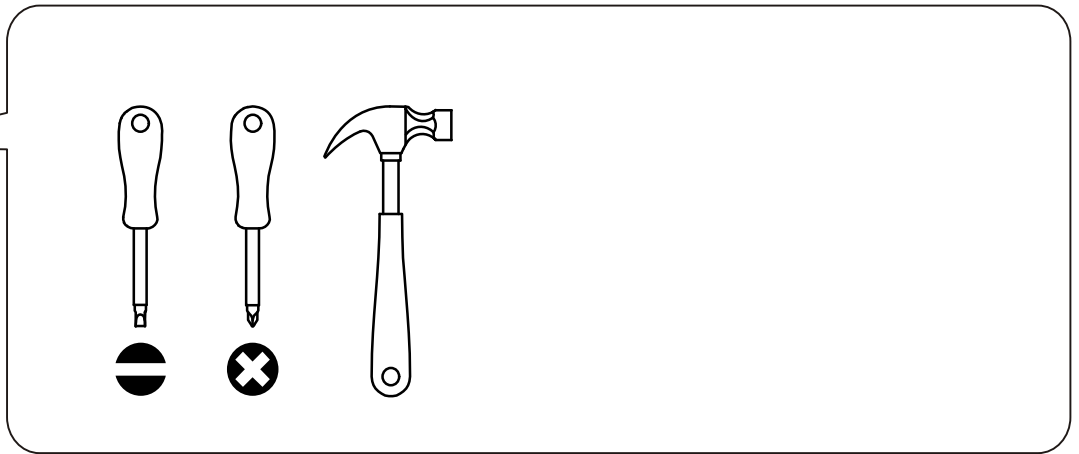
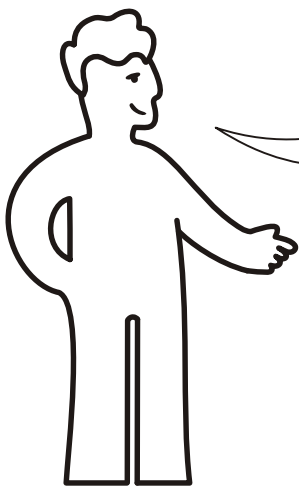
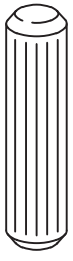


# Тӧлысь

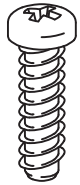






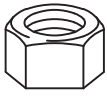
101350

12x



109021

16x



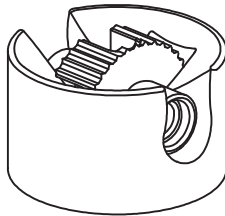
100712

8x



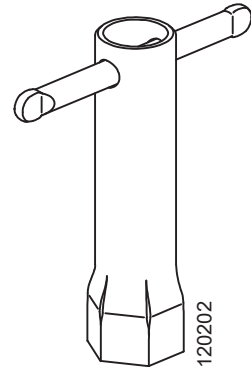
100843

8x



10005094

4x



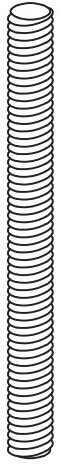
120202

1x



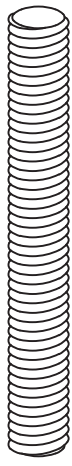
154409

11x



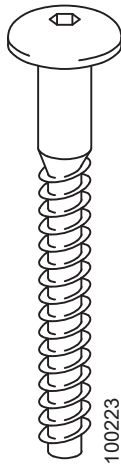
100018

4x



100037

8x



100223

2x

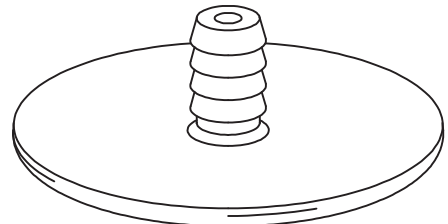


110912

4x

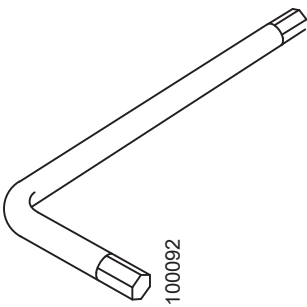


8x



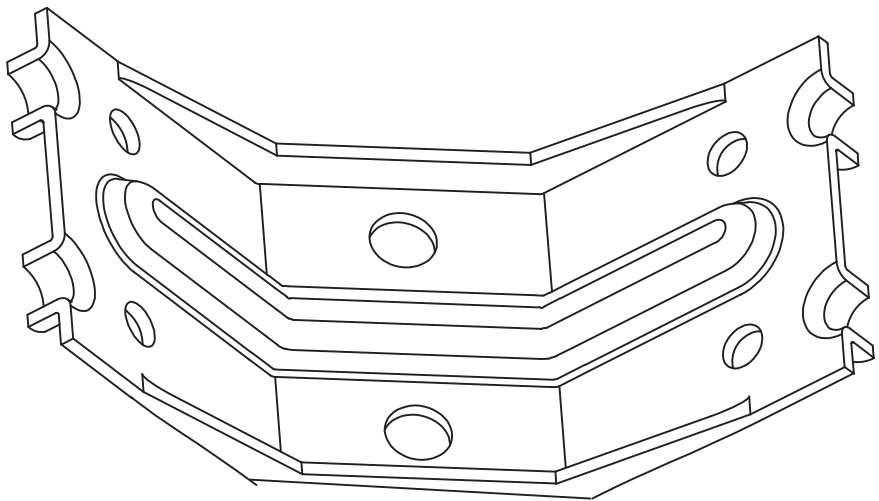
117559

4x



100092

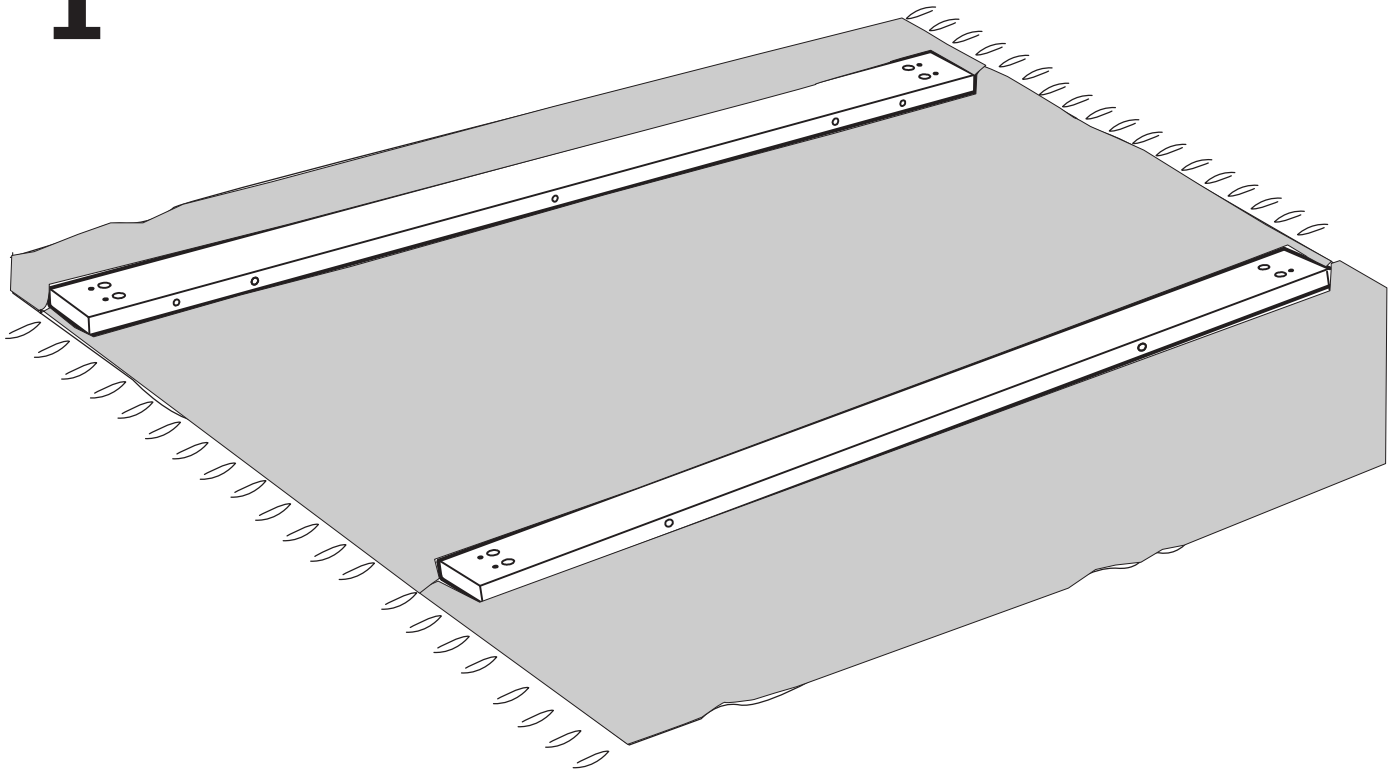
1x



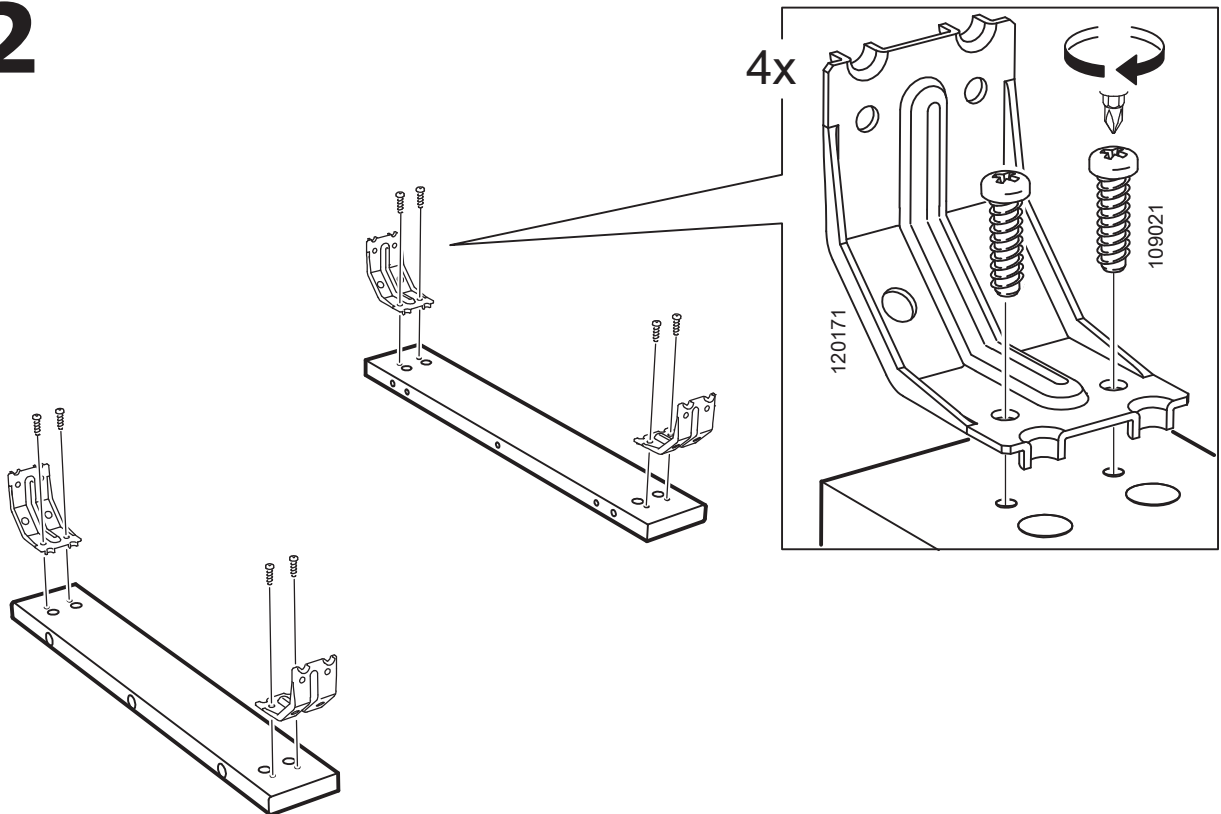
120171

4x

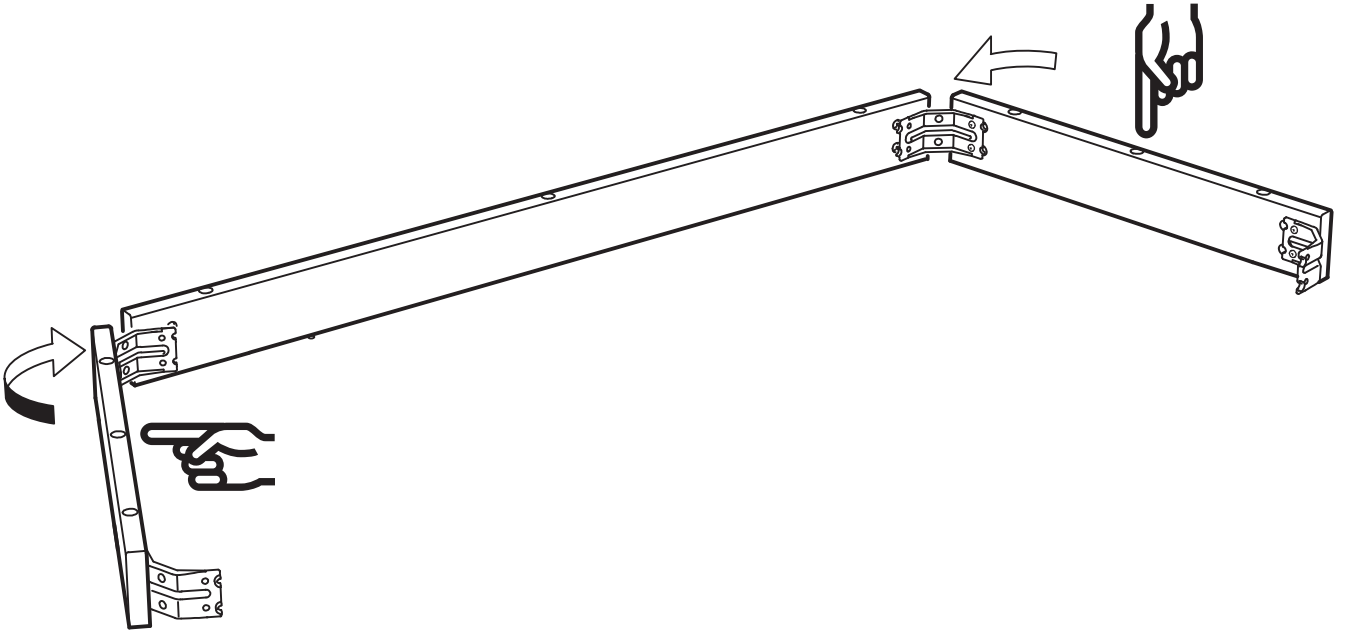
# 1



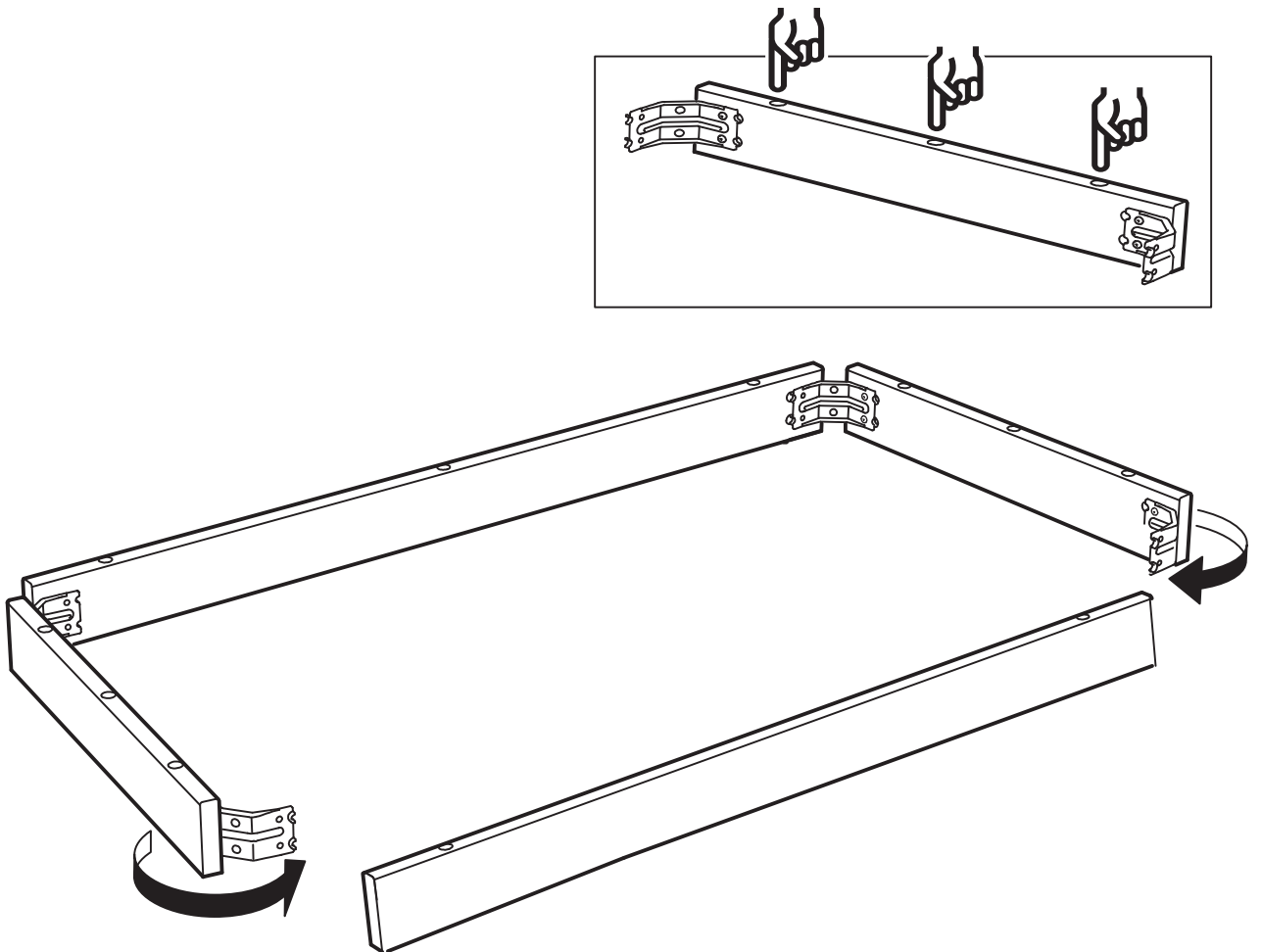
# 2



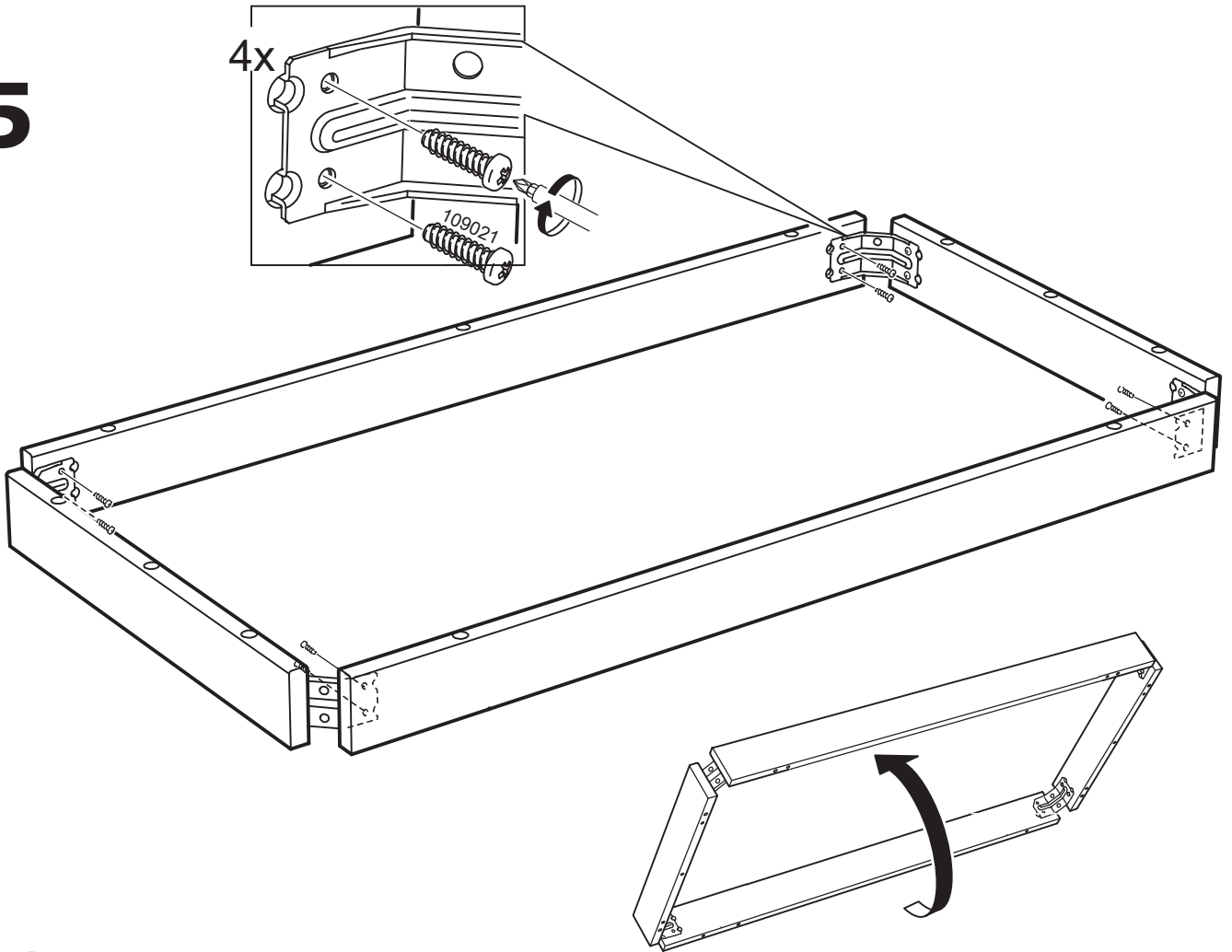
3



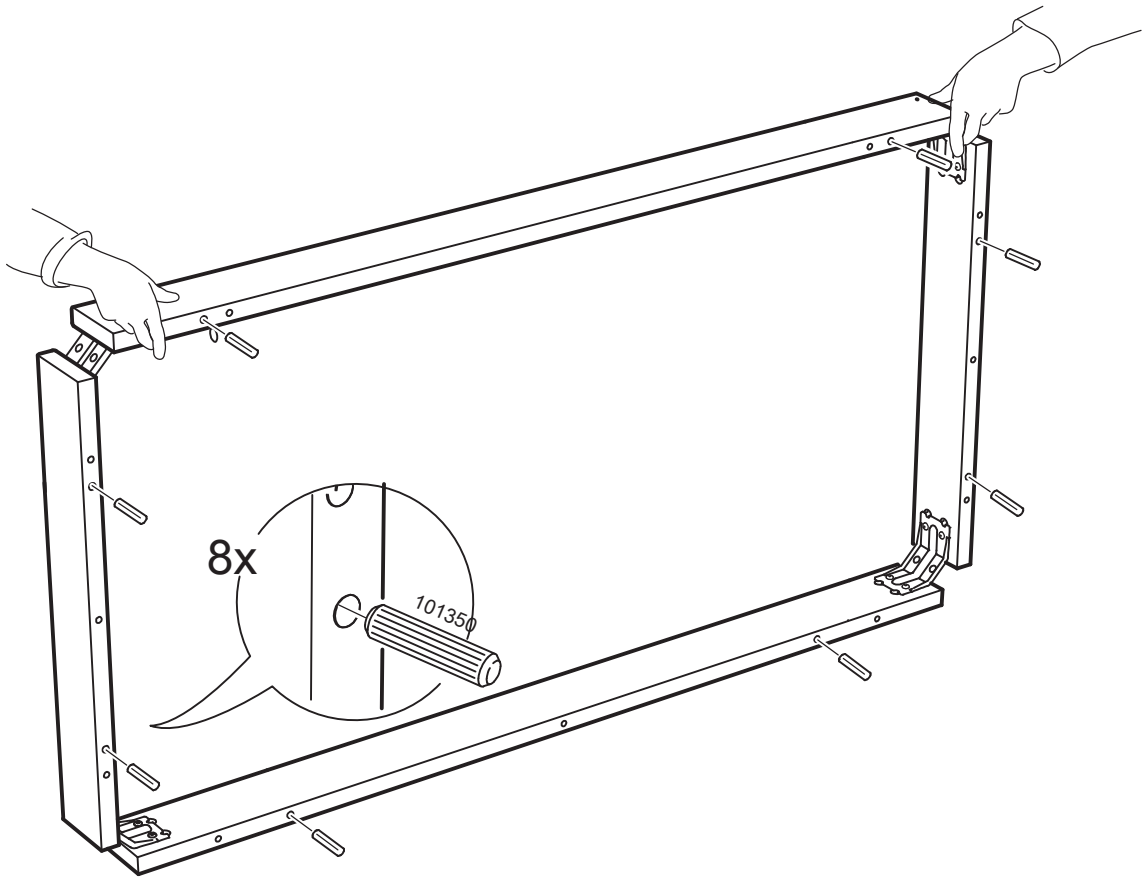
4



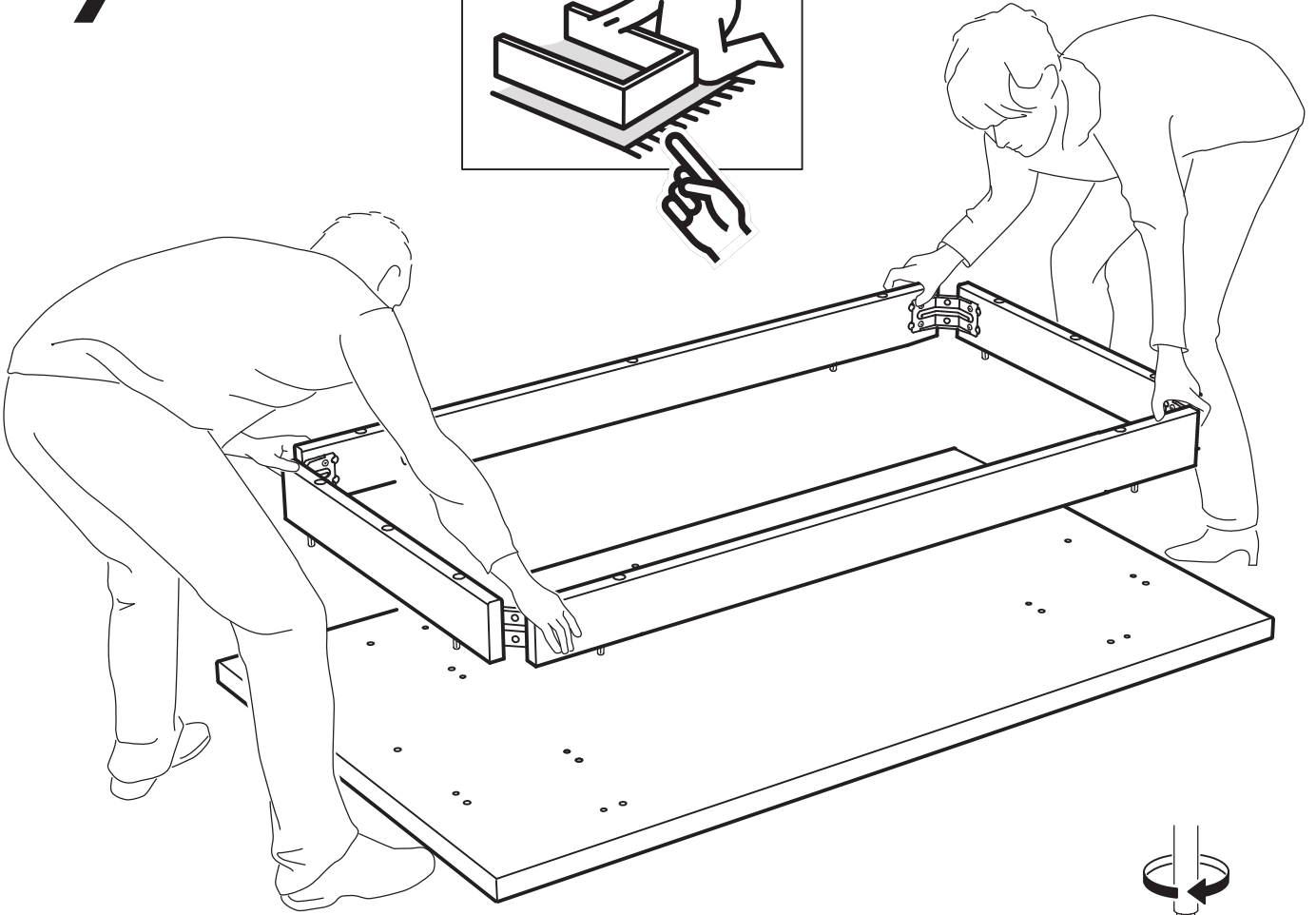
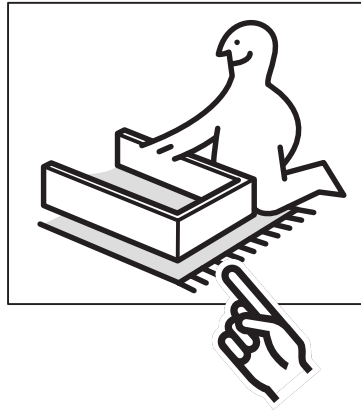
5



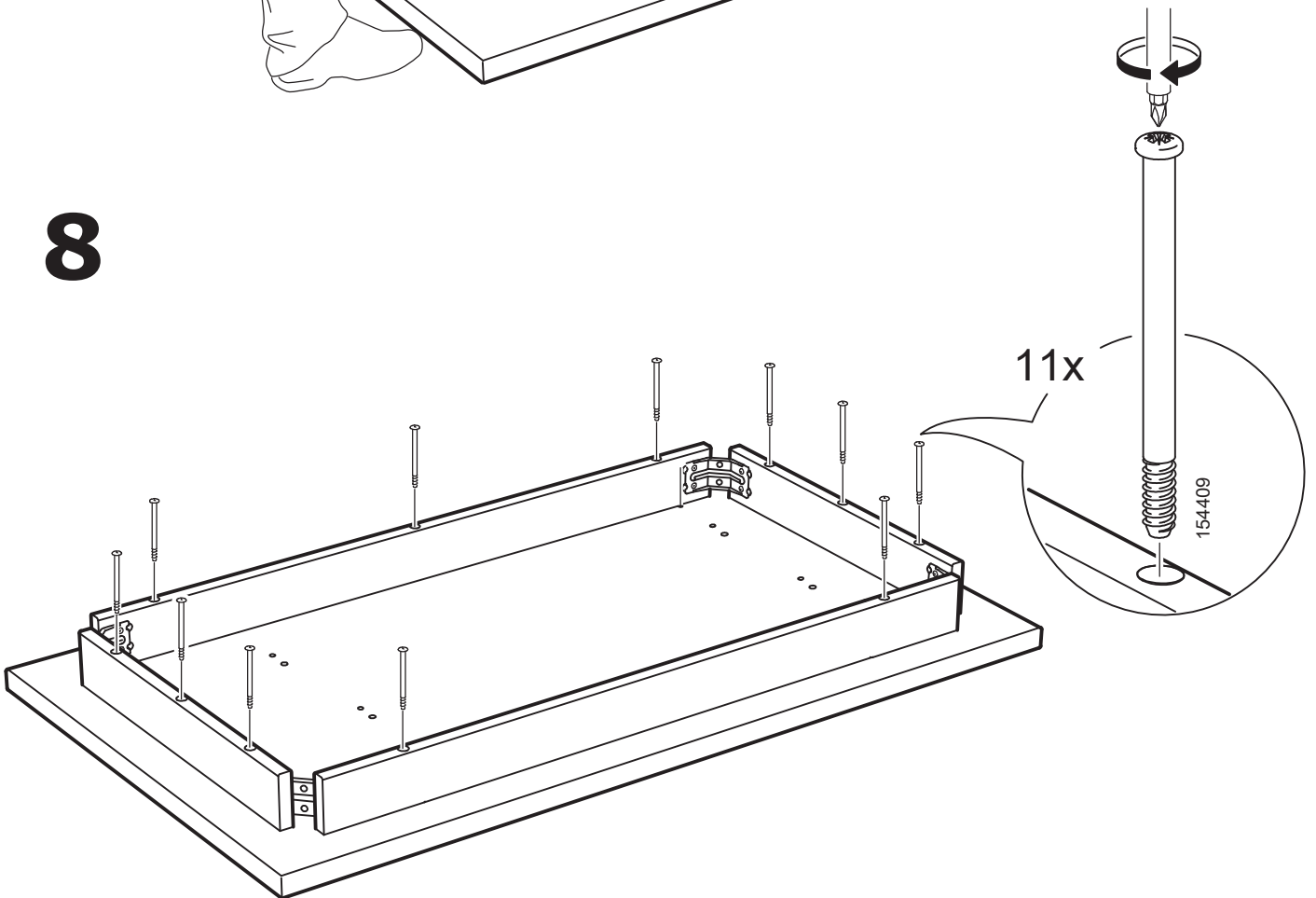
6



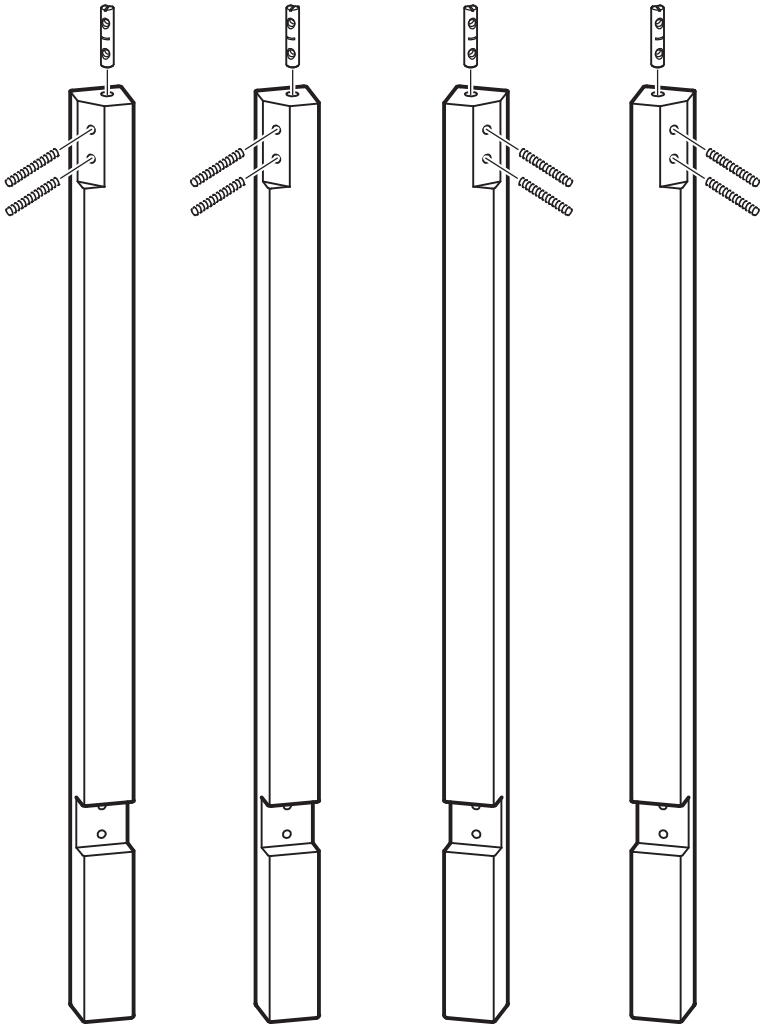
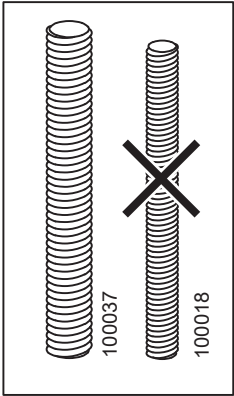
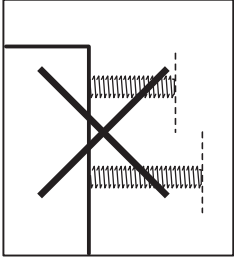
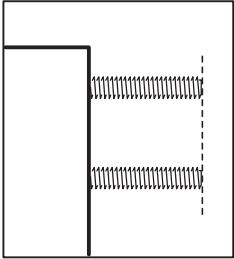
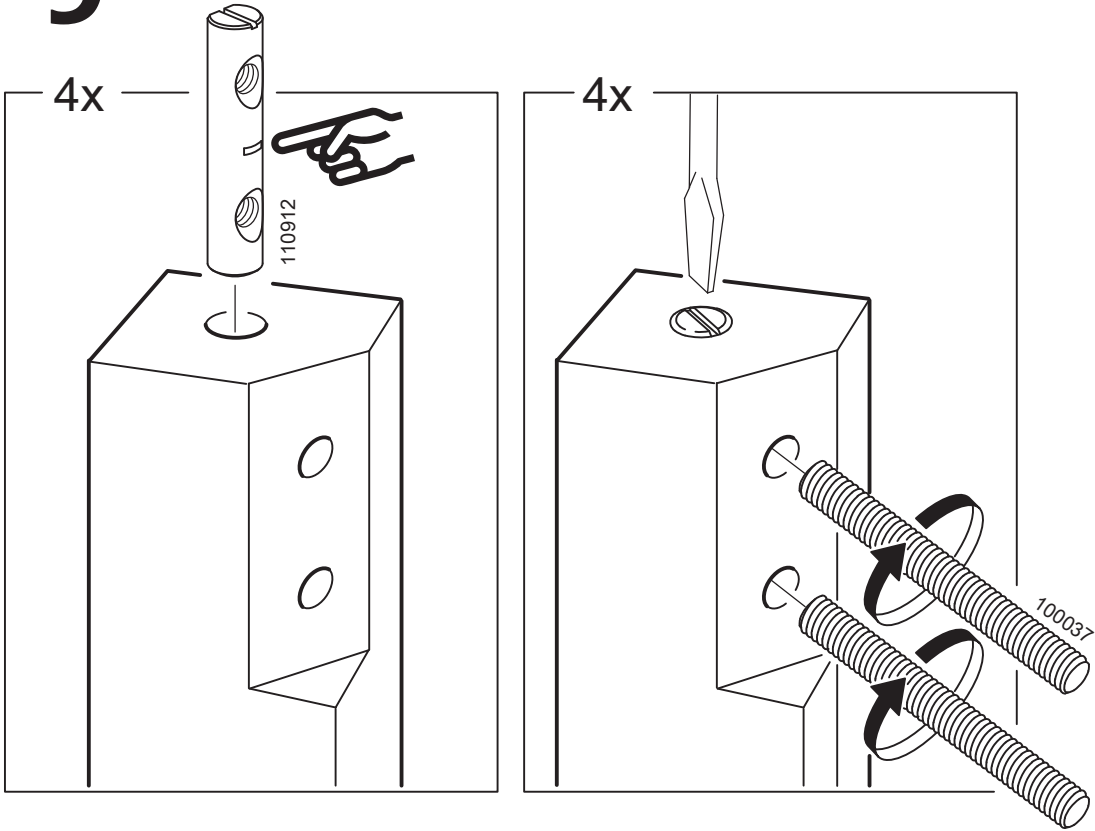
7



8

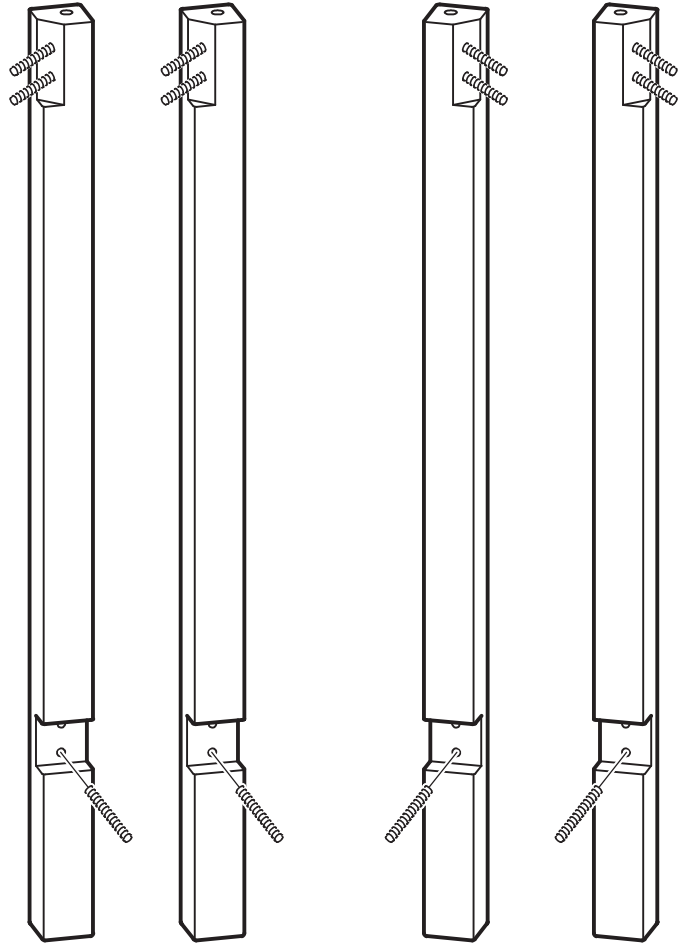
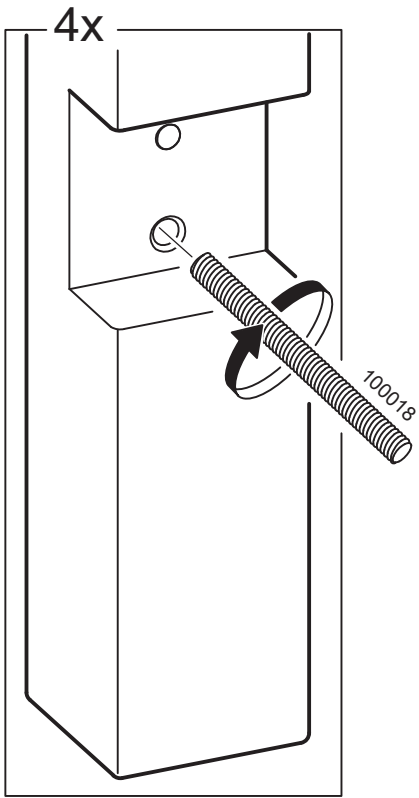


9

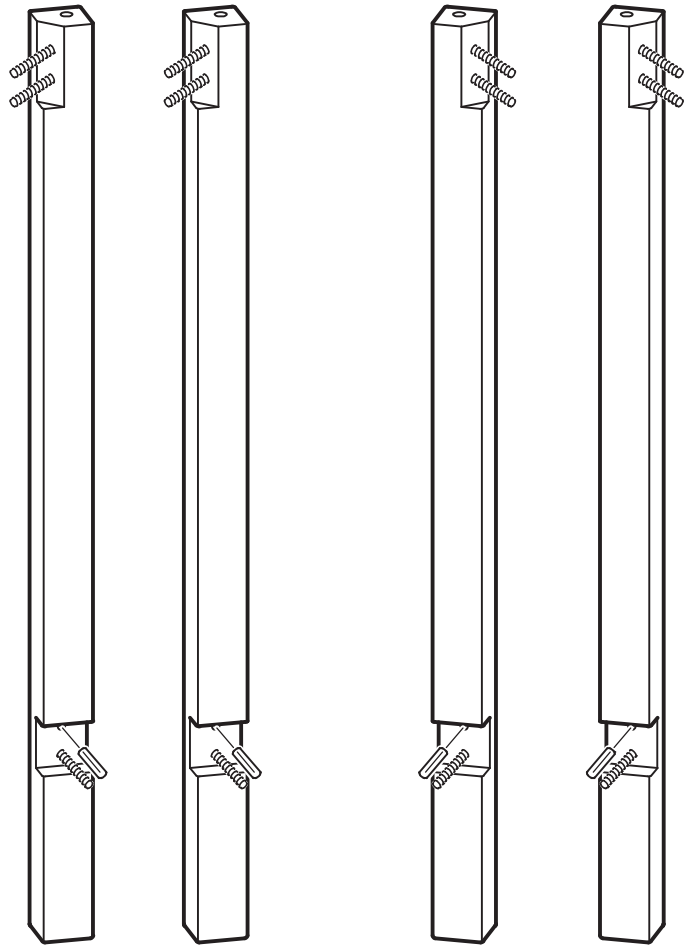
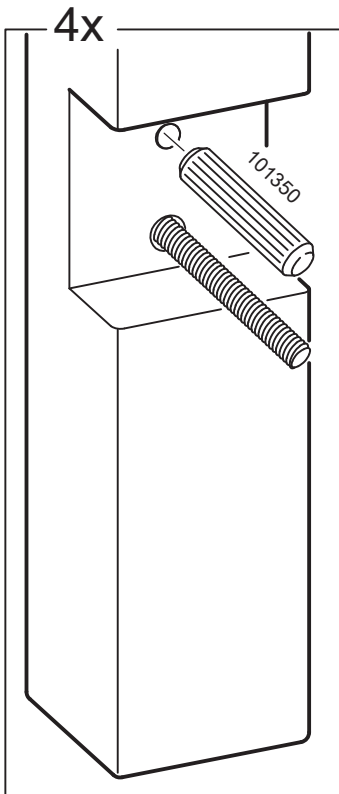




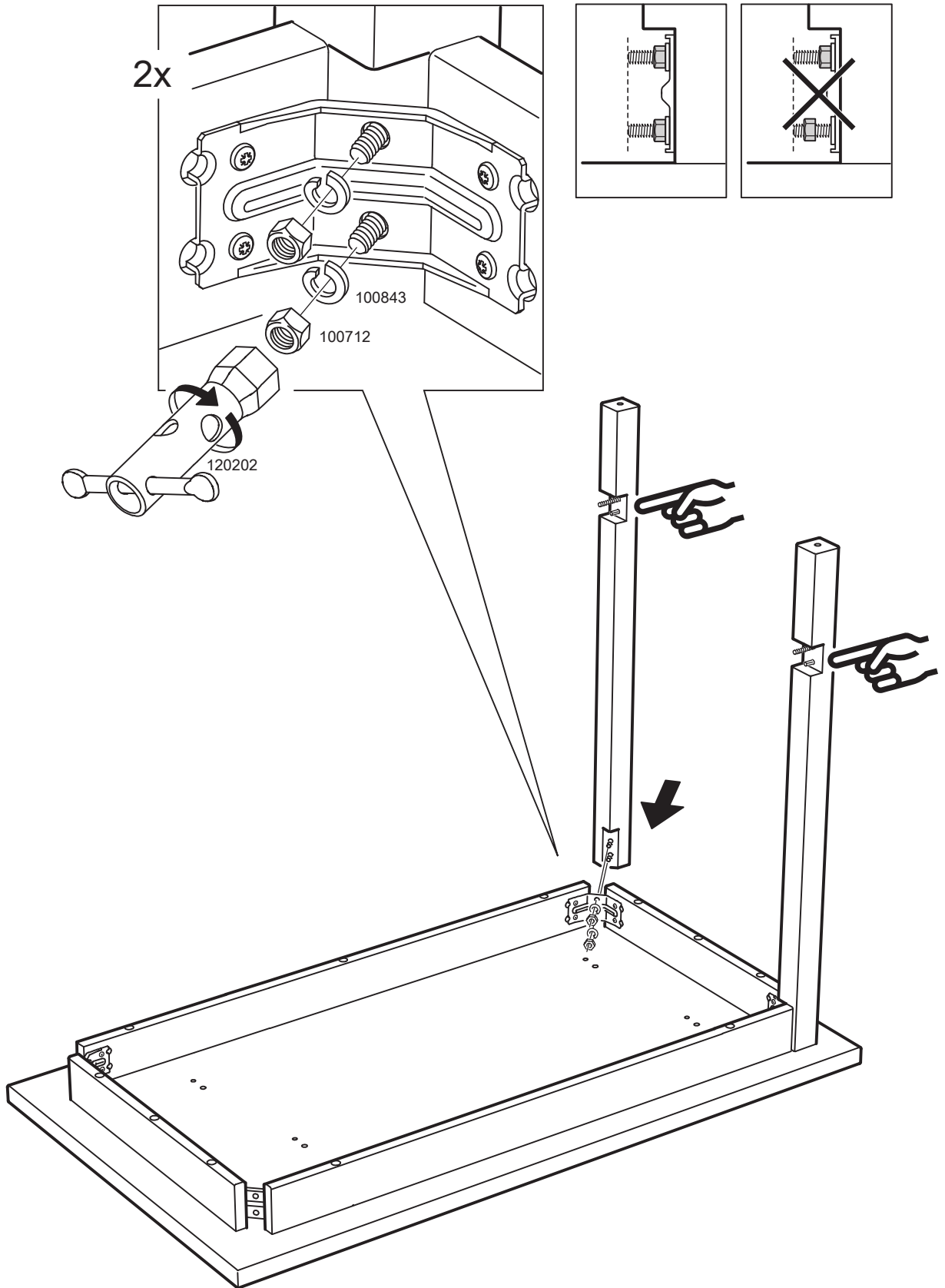
# 10



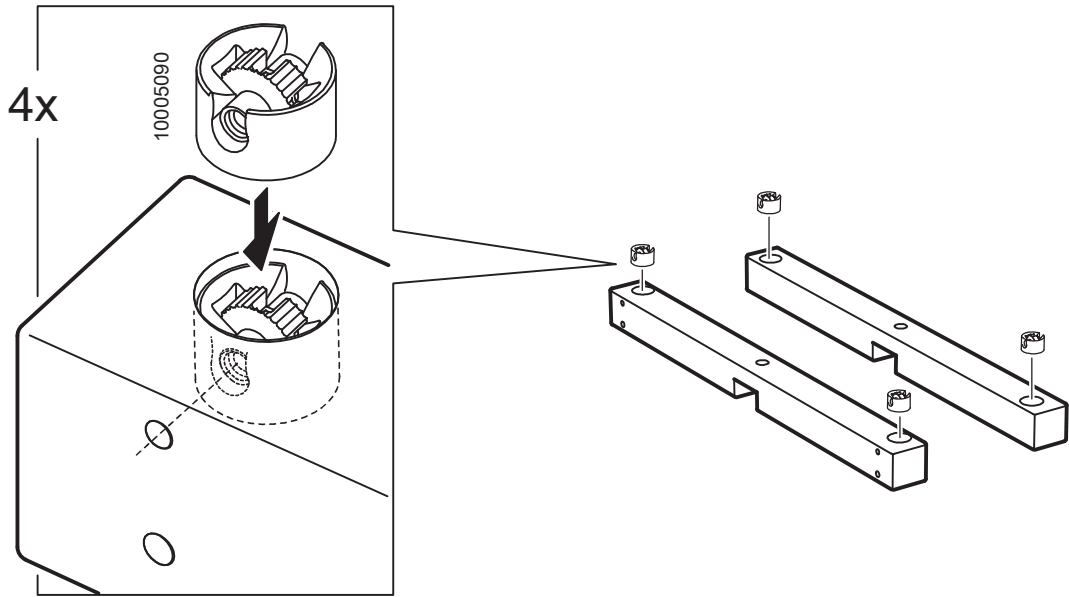
# 11



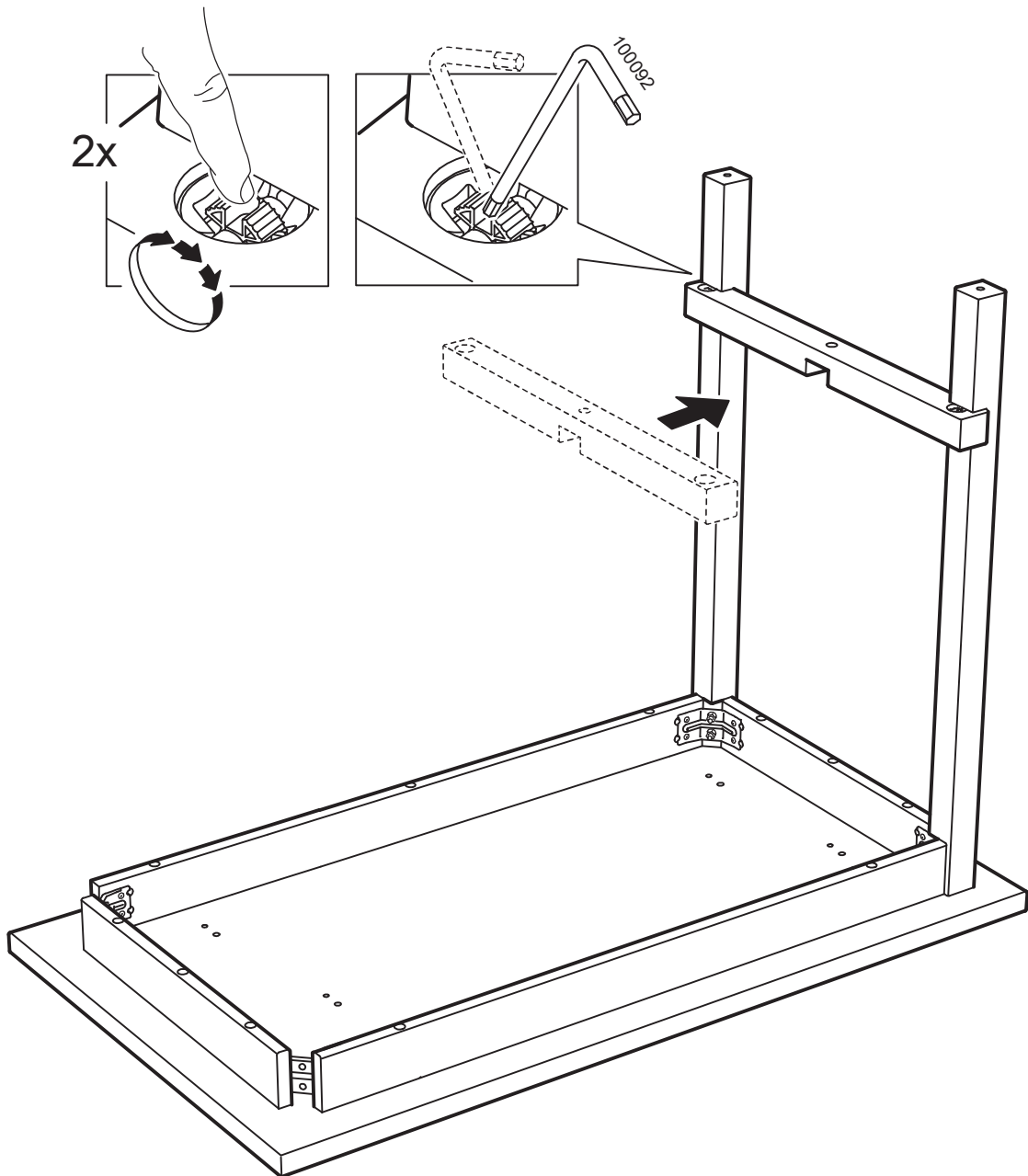
12



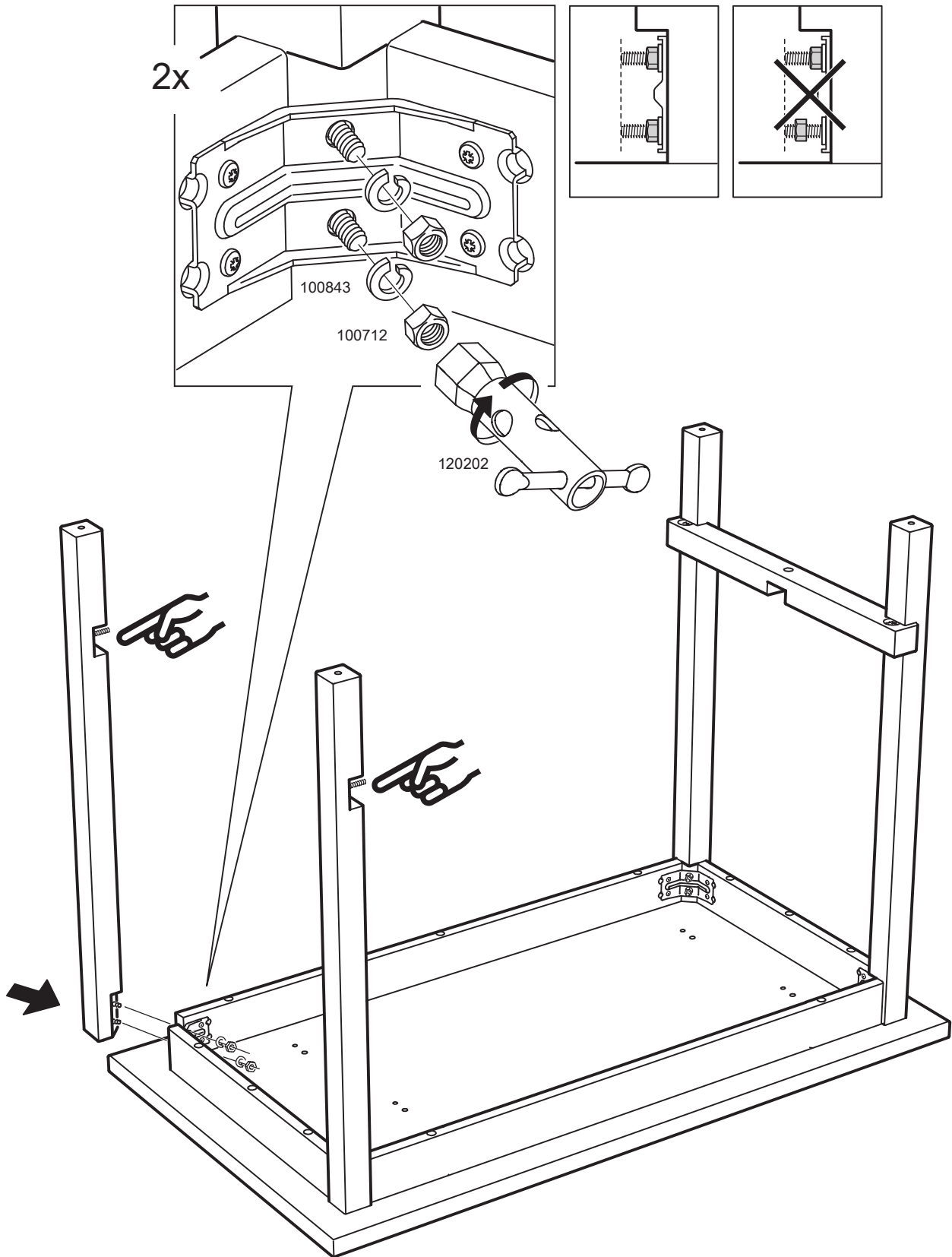
**13**



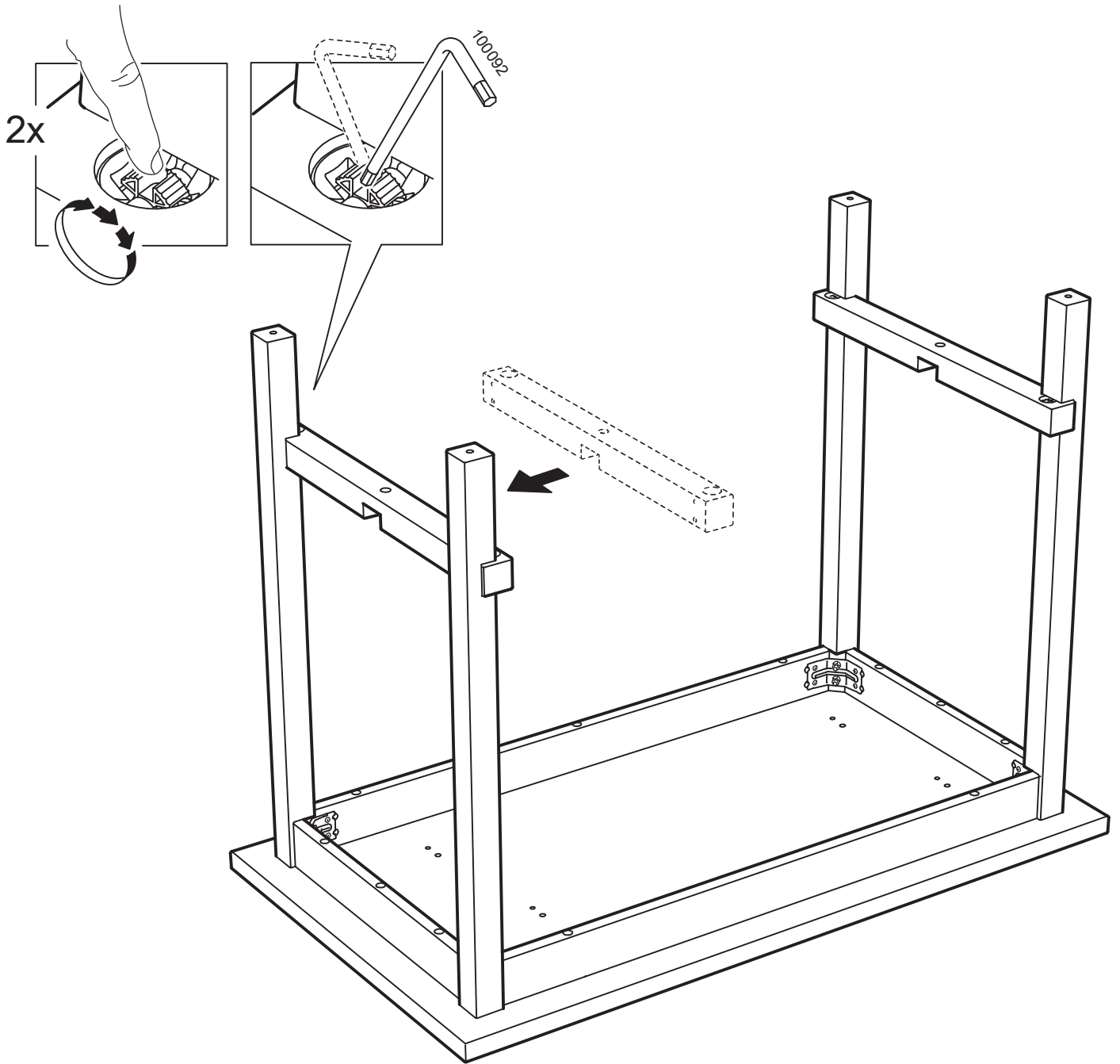
**14**

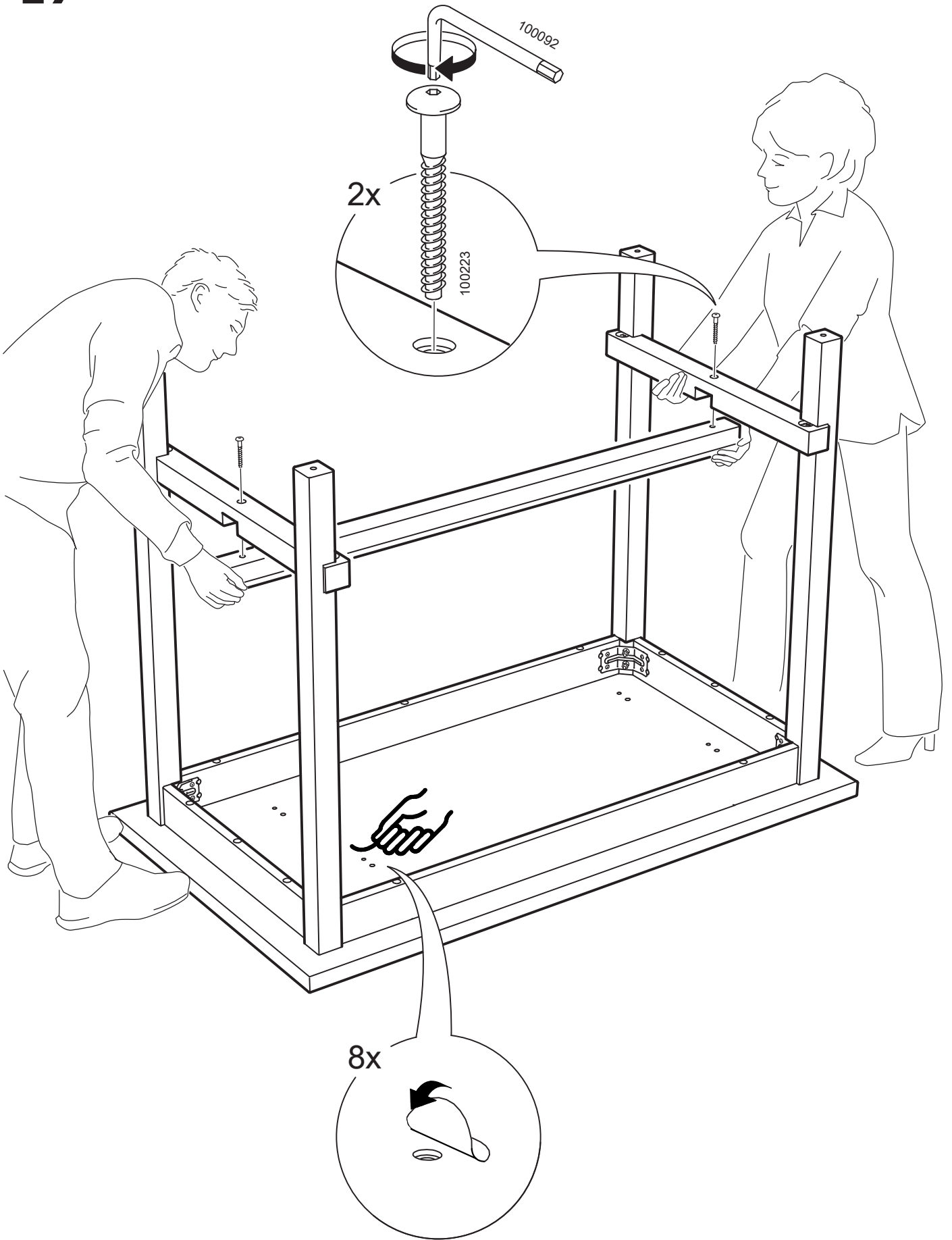


# 15

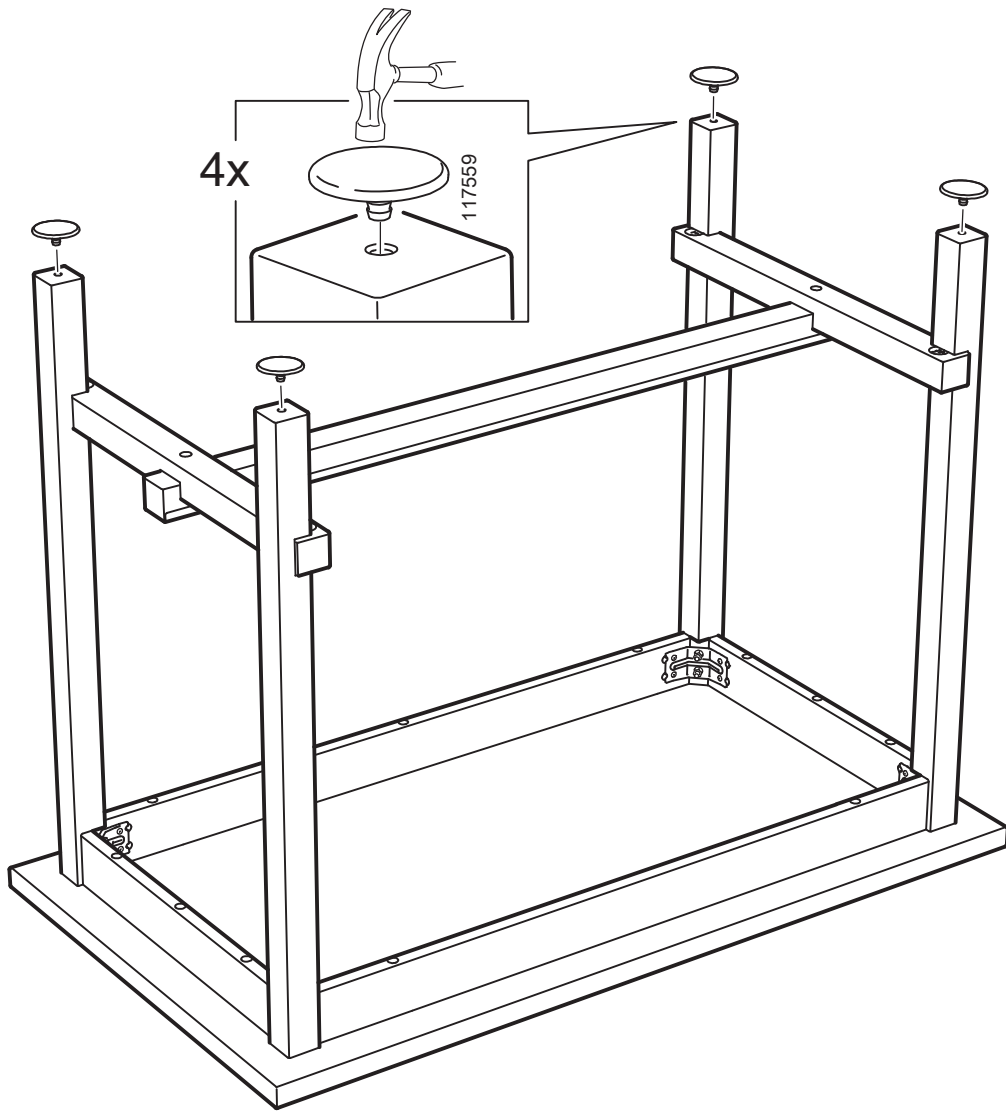


# 16





18



19

