

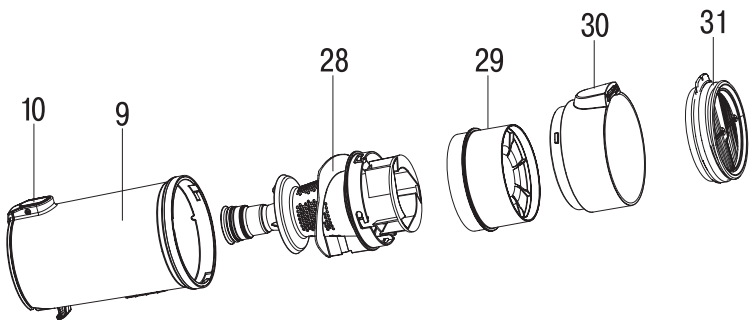
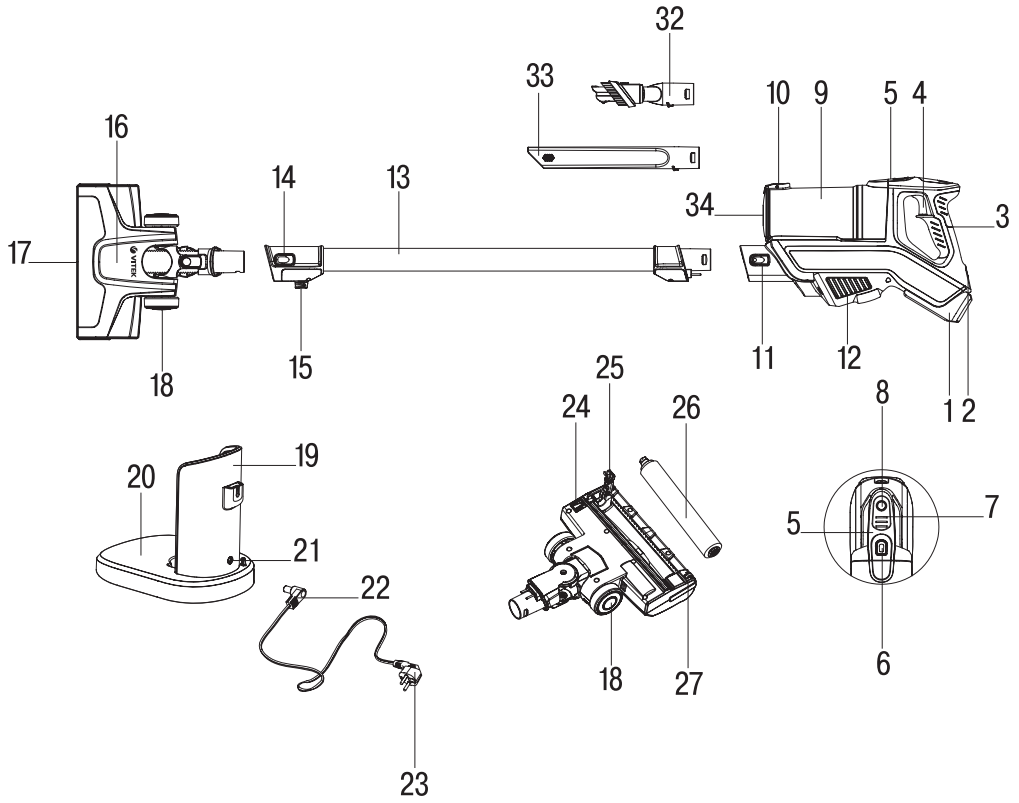
**VT-8133 SR**

Vacuum cleaner

Пылесос

# Инструкция по эксплуатации

<b>GB</b> Manual instruction	<b>5</b>
<b>RUS</b> Инструкция по эксплуатации	<b>10</b>
<b>KZ</b> Пайдалану нұсқасы	<b>16</b>
<b>UA</b> Інструкція з експлуатації	<b>22</b>
<b>KG</b> Пайдалануу боюнча нускама	<b>27</b>



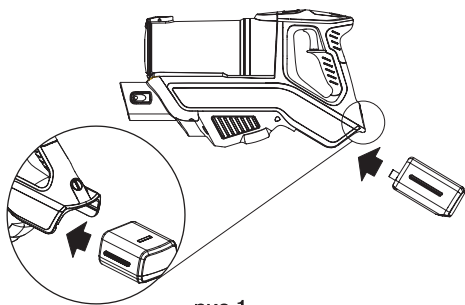


рис.1

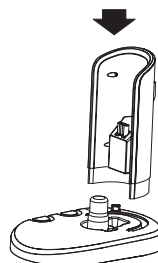


рис.2

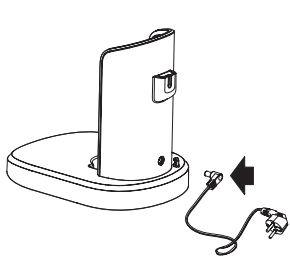


рис.3

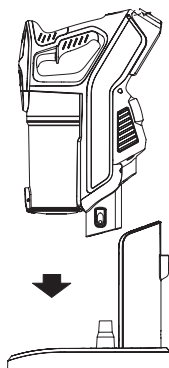


рис.4

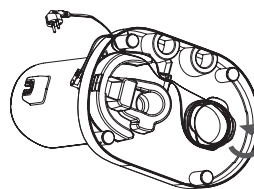


рис.5

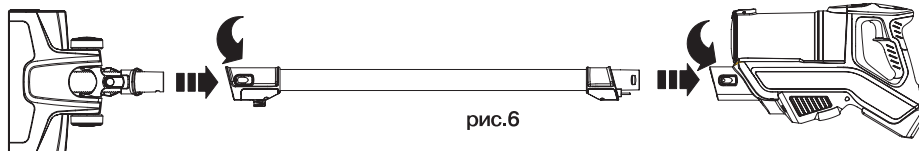


рис.6

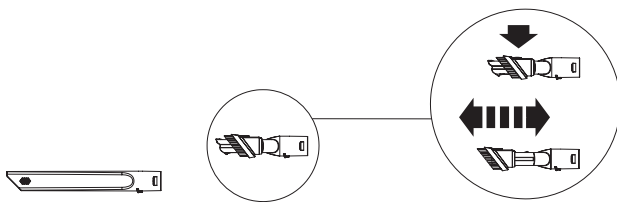


рис.8

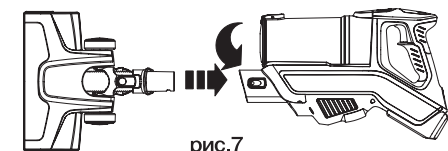


рис.7

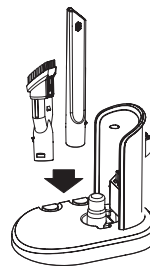


рис.9

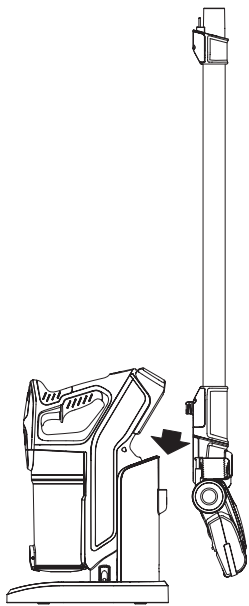


рис. 10

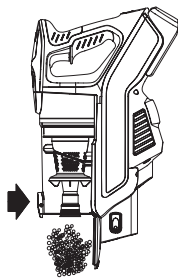


рис. 11

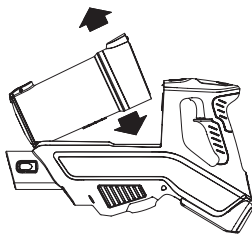


рис. 12

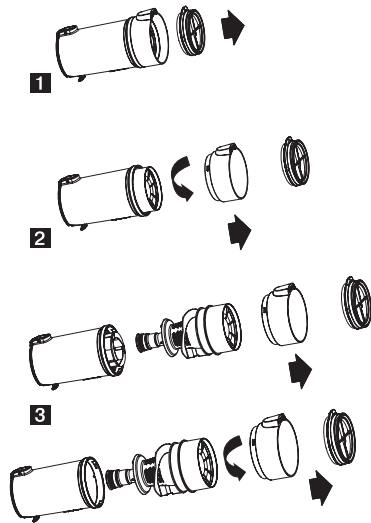


рис. 13

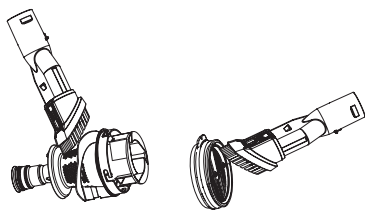


рис. 14

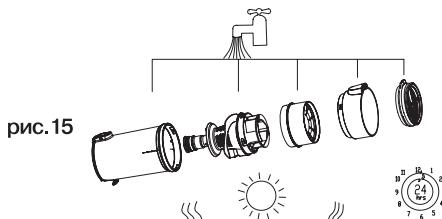


рис. 15

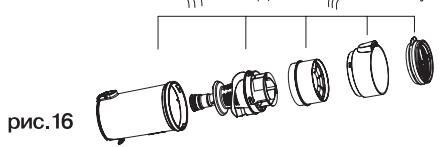


рис. 16

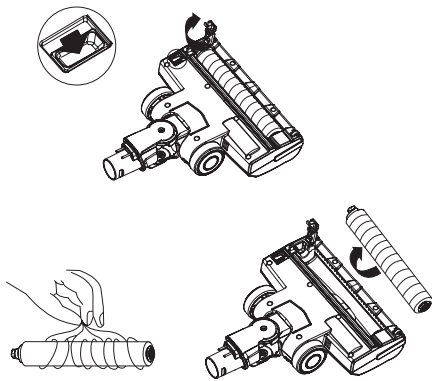


рис. 17

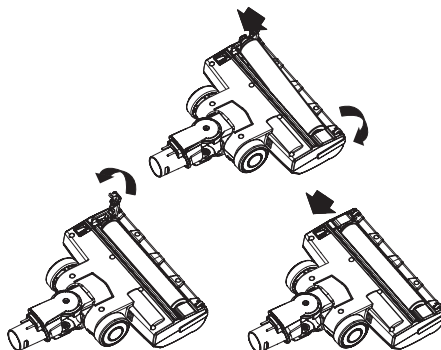


рис. 18

## VACUUM CLEANER VT-8133 SR

The rechargeable vacuum cleaner is intended for cleaning rooms or car interior.

### DESCRIPTION

1. Rechargeable battery
  2. Rechargeable battery lock
  3. Vacuum cleaner handle
  4. ON button
  5. Control panel
- Control panel (5)**
6. Dust bin lock button
  7. Operation/charging indicator
  8. Operating mode selection button
  9. Dust bin
  10. Dust bin lid lock button
  11. Extension pipe lock button
  12. Outgoing air outlets
  13. Extension pipe
  14. Electric brush/attachment lock button
  15. Storage bracket
  16. Electric brush
  17. Electric brush lighting
  18. Wheels
  19. Vertical stand of the floor-standing support with brush storage
  20. Floor-standing support
  21. AC/DC adapter connection socket
  22. Power adapter cord plug
  23. Power adapter

### Electric brush (16)

24. Round brush attachment assembly lock
25. Attachment assembly
26. Round brush
27. Small wheels

### Dust bin (9)

28. Separator
29. Removable part of the separator
30. HEPA filter holder
31. HEPA filter
32. Combined attachment
33. Crevice nozzle
34. Coarse-mesh filter

## RECOMMENDATIONS ON SAFETY MEASURES

Read this instruction manual carefully before using the unit and keep it for the whole unit operation period. Mishandling of the unit may lead to its breakage and cause harm to the user or damage to his/her property.

To avoid the risk of fire, electric shock and to prevent injury, observe the following safety measures.

- Use the unit in strict accordance with the instruction manual.
- Use only the accessories supplied with the unit.
- Before charging the rechargeable battery for the first time, make sure that voltage of the mains corresponds to the operating voltage of the power adapter.
- Do not charge the battery in places with high moisture and high temperature. Charge the battery at the temperature from +5°C to +35°C and relative humidity no more than 80%.
- Do not leave the plugged in power adapter unattended.
- Do not touch the power adapter body with wet hands.
- Do not cover the inlets and outlets of the vacuum cleaner with any objects.
- Do not switch the unit on if the air inlet is blocked by a foreign object.
- Keep hair, free hanging clothes, fingers and other parts of your body away from the vacuum cleaner suction opening.
- Be especially cautious while cleaning the stair landings.
- Do not use the vacuum cleaner for collecting such highly inflammable liquids as gasoline and solvents. Do not use the vacuum cleaner in places where such liquids are stored.
- Do not use the vacuum cleaner for collecting burning or smoking cigarettes, matches, cinders as well as fine dust, for example, of plaster, concrete, flour or ashes.
- Do not use the vacuum cleaner if:
  - the dust bin is not installed;
  - the HEPA filter is not installed.
- Do not immerse the vacuum cleaner, the power adapter and the battery into water or any other liquids.
- Close supervision is necessary when children or disabled persons are near the operating unit.
- This unit is not intended for usage by children.
- During the unit operation and breaks between operation cycles, place the unit out of reach of children.
- The unit is not intended for usage by physically or mentally disabled persons (including children) or by persons lacking experience or knowledge if they are not under supervision of

# ENGLISH

a person who is responsible for their safety or if they are not instructed by this person on the usage of the unit.

- Do not leave children unattended to prevent using the unit as a toy.
- For children safety reasons do not leave polyethylene bags, used as packaging, unattended.

**Attention!** Do not allow children to play with polyethylene bags or packaging film. **Danger of suffocation!**

- Regularly check the power plug and power cord integrity for damages.
- Never use the unit if the power cord or the power plug is damaged, if the unit works improperly, after it was dropped or in case of leakage.
- Do not attempt to repair the unit. Do not disassemble the unit by yourself, if any malfunction is detected or after it was dropped, unplug the unit and apply to any authorized service center from the contact address list given in the warranty certificate and on the website [www.vitek.ru](http://www.vitek.ru).
- For environmental protection do not discard the unit with usual household waste after its service life expiration; apply to a specialized center for further recycling.
- To avoid damages, transport the unit in the original package only.
- Watch over the rechargeable battery. Remove the rechargeable battery from the vacuum cleaner if you are not going to use the unit for a long time.
- Keep the unit in a dry cool place out of reach of children and disabled persons.

**THIS UNIT IS INTENDED FOR HOUSEHOLD USAGE ONLY**

## SAFETY MEASURES

- If the suction power of the vacuum cleaner decreases rapidly while cleaning, switch it off immediately and check the extension pipe (13) for obstruction. Remove the obstruction and only then continue cleaning.
- Do not use the vacuum cleaner near very hot surfaces, ashtrays or in places where inflammable liquids are stored.

## ASSEMBLING THE VACUUM CLEANER

**After unit transportation or storage under cold (winter) conditions, it is necessary to keep it for at least 3 hours at room temperature before switching on.**

- Install the rechargeable battery (1) in the installation place. To do this, make sure that the lock (2) is turned vertically, match the ledges on the battery (1) with the grooves in the installation place and insert the battery (1) as far as it will go. Make sure that the battery is fixed properly (pic. 1).
- To remove the rechargeable battery (1), turn the lock (2) to 90°, using a coin, for instance, and remove the battery (1).

## Battery charging

Before using the unit for the first time or after a long period of inactivity, the battery (1) needs to be charged for 4 hours.

A fully charged battery (1) provides approximately 20 minutes of continuous vacuum cleaner operation at maximal power and about 35-40 minutes of operation at low power level.

- Assemble the floor-standing support (20): insert the vertical stand (19) into the support (20) until the lock goes off (pic. 2).
- Insert the plug of the power adapter cord (22) into the connection socket (21), insert the power adapter (23) into the mains socket (pic. 3).
- Set the vacuum cleaner to charge (pic. 4), the operation/charging indicator (7) will light up.
- When the battery (1) charging cycle is finished, all segments of the indicator (7) will be glowing green.

## Notes:

- You can adjust the power adapter (23) cord length by winding it around the lower part of the floor-standing support (20) (pic. 5).
- Charge the battery (1) at the temperature from +5°C to +35°C.
- If you haven't used the unit for a month or longer, charge the battery (1) completely before using the vacuum cleaner.

## Attaching the extension pipe and attachments

- Insert the extension pipe (13) into the air inlet of the vacuum cleaner until the lock (11) clicks (pic. 6).
- Choose the necessary attachment – electric brush (16), combined attachment (32) or crevice nozzle (33) – and attach it to the extension pipe (13) (pic. 6).

## Note:

- If necessary, you can attach the electric brush (16), the combined attachment (32)

or the crevice nozzle (33) straight to the air inlet of the vacuum cleaner, without using the extension pipe (13) (pic. 7).

## Electric brush (16)

Use the electric brush (16) for cleaning floors and carpets with medium and low pile, the electric brush (16) is perfect for removing pet hair from carpets. The round brush is brought to rotation by an electric motor built in the brush, its bristles thoroughly comb out pet hair and sweep motes out of the carpet pile.

During the operation the brush lighting (17) lights up.

### Notes:

- Do not use the electric brush (16) if the pile length exceeds 15 mm.
- Do not run the brush (16) over electric wires.
- Switch the vacuum cleaner off right after cleaning with the brush (16).

## Combined attachment (32)

This attachment (32) is intended for collecting dust from the furniture upholstery or smooth surfaces, the pile prevents damage of polished furniture surface.

To clean smooth surfaces, shift the brush forward until locking (pic. 8).

## Crevice nozzle (33)

The nozzle (33) is intended for cleaning radiators, chinks, corners and spaces between cushions.

- For easy storing of the attachments (32, 33) the floor-standing support (20) is equipped with storage places (pic. 9).

## USING THE VACUUM CLEANER

**Attention! Switch the vacuum cleaner on only with the dust bin (9) and the HEPA filter (31) installed in the dust bin. Always check if the dust bin (9) is assembled and installed properly.**

- Use the floor-standing support (20) for easy storing of the vacuum cleaner or battery (1) charging. You can install the electric brush in the storage place on the vertical stand (19), having installed the storage bracket (15) on the extension pipe (13) into the groove on the vertical stand (19) (pic. 10).
- During the operation or when carrying the vacuum cleaner hold the unit by the handle (3).
- Press and hold down the ON button (4) to switch the vacuum cleaner on; the operation/charging indicator (7) will light up green.

- During the vacuum cleaner operation you can select the vacuum cleaner operating modes by pressing the button (8) on the control panel (5). The vacuum cleaner has two operation modes:
  - a charged battery (1) provides approximately 20 minutes of continuous vacuum cleaner operation at maximal power;
  - the operation time at the low power level is approximately 35-40 minutes.

### Note:

- During the vacuum cleaner operation the indicator (7) (control panel (5)) shows the battery charging rate.
- As the battery runs low, the number of green segments on the operation/charging indicator (7) decreases.
- If the battery (1) is low, the first segment of the operation/charging indicator (7) will be flashing green. In this case it is recommended to stop operation and put the vacuum cleaner on the base (20) for charging the battery.
- If the battery is fully discharged, then as you press and hold the ON button (4) all the segments of the indicator (7) will light up and flash thrice before the indicator (7) goes out. In this case you have to perform the full recharging cycle of the battery (1).
- Use the handle (3) for carrying the vacuum cleaner.

## CLEANING AND CARE

Remove garbage and dust from the dust bin (9) after each usage of the vacuum cleaner and clean the dust bin (9), the separator (28) and the HEPA filter (31) regularly.

- If you use the unit with installed extension pipe (13), remove the extension pipe (13) by pressing the lock button (11) before removing garbage and dust from the dust bin (9).
- To remove garbage and dust, place the dust bin (9) above the garbage bin, press the lid lock button (10), remove garbage and dust and close the lid until the lock button (10) goes off (pic. 11).

### Cleaning the dust bin (9) (pic. 13)

- Before removing the dust bin (9) remove dust and garbage from it as described above.
- Holding the dust bin (9), press the lock button (6) and remove the dust bin (9) (pic. 12).

# ENGLISH

- Remove the HEPA filter (31) from the holder (30) by pulling the ledge on the HEPA filter (pic. 13.1).
- Turn the HEPA filter holder (30) (pic. 13.2) counterclockwise and remove it.
- Remove the separator (28) with the removable part (29) from the dust bin (9) by pulling it out of the dust bin (9) (pic. 13.3).
- Clean the separator (28) and the HEPA filter (31) of garbage and dust, you can use the attachment (32) to do it (pic. 14).
- Turn the removable part (29) of the separator counterclockwise (pic. 13.4).
- Wash the dust bin (9), all the removable parts (28, 29, 30) and the HEPA filter under warm running water. Do not wash the removable parts in the dishwasher (pic. 15).

## Note:

- Before assembling and installing, dry the dust bin (9), all the removable parts (28, 29, 30) and the HEPA filter (31) thoroughly (pic. 16).
- Do not use heating units, including the hair-dryer, to dry the removable parts.
- Before assembling the dust bin (9) and installing it to its place make sure that all removable parts are clean and dry.

## Assembling of the dust bin (9)

- Match the marks on the separator (28) and the removable part (29) of the separator, turn the removable part (29) clockwise as far as it will go.
- Insert the separator (28) with the removable part (29) into the dust bin (9) matching the ledge on the removable part (29) with the groove on the inner side of the dust bin (9).
- Matching the marks, insert the HEPA filter holder (30) into the dust bin (9) and turn it clockwise as far as it will go.
- Install the HEPA filter (31) back to its place matching the groove on the HEPA filter (31) with the ledge on the filter holder (30).
- Slightly press on the central part of the HEPA filter (31) to install it properly.
- Before installing the dust bin (9) make sure that the coarse-mesh filter on the air inlet grid of the vacuum cleaner is clean. If necessary, clean the filter.
- Install the assembled dust bin (9) back to its place (pic. 12).

**Attention!** Keep the dust bin (9), the separator (28) and the HEPA filter (31) clean because the performance of the vacuum cleaner depends

on it; clean the dust bin (9), the separator (28) and the HEPA filter (31) regularly.

## Cleaning the electric brush (16) (pic. 17, 18)

Keep the electric brush (16) clean; as it becomes dirty, disassemble the brush (16) and clean the round brush (26).

- Remove the electric brush (16) from the extension pipe (13) by pressing the lock button (14).
- Press the lock (24) following the direction of the arrow (pic. 17).
- Lift the attachment assembly (25).
- Remove the round brush (26) and remove threads and hairs wound up around the brush (26).
- Clean the inner and outer surface of the electric brush (16) body of garbage and dust.

## Assembling the electric brush (16) (pic. 18)

- Insert the right part of the brush (26) into the body.
- Install the left part of the brush (26) to its place.
- Move the lock (24) to the right, lower the attachment assembly (25) and release the lock (24).
- Make sure that the round brush (26) is fixed properly.

## Cleaning the vacuum cleaner body

- Wipe the vacuum cleaner body and the floor-standing support (20) with a soft, slightly damp cloth and then wipe them dry.
- Never immerse the vacuum cleaner body, the electric brush (16) and the power adapter (23) into water or other liquids. Make sure that no liquid gets inside the vacuum cleaner body and the electric brush (16).
- Do not use solvents or abrasives for cleaning the vacuum cleaner body and the removable parts.

## STORAGE

- Before taking the vacuum cleaner away for storage, clean the vacuum cleaner body, the dust bin (9) and the electric brush (16).
- For easy storing use the floor-standing support (20) with the attachments (32, 33), the vacuum cleaner, the extension pipe (13) with the electric brush (16) (pic. 10).
- For long storage of the vacuum cleaner detach the rechargeable battery (1), disassemble the support (20) and pack the parts.
- Keep the vacuum cleaner away from children in a dry cool place.




## DELIVERY SET

1. Vacuum cleaner (with the dust bin installed) – 1 pc.
2. Rechargeable battery – 1 pc.
3. Extension pipe – 1 pc.
4. Electric brush – 1 pc.
5. Crevice nozzle – 1 pc.
6. Combined attachment – 1 pc.
7. Instruction manual – 1 pc.

## TECHNICAL SPECIFICATIONS

Power adapter

Power supply: 220-240 V ~ 50 Hz

Output voltage:  23 V 600mA

Maximum power: 200 W

Suction power: 60 W

Dust bin capacity: 0.35 l

Rechargeable battery: 22.2 V, Li-Ion 2100 mA/h

*The manufacturer preserves the right to change design and specifications of the unit without preliminary notification*

**Unit operating life is 3 years**

## Guarantee

Details regarding guarantee conditions can be obtained from the dealer from whom the appliance was purchased. The bill of sale or receipt must be produced when making any claim under the terms of this guarantee.



*This product conforms to the EMC Directive 2014/30/EU and to the Low Voltage Directive 2014/35/EU.*

# РУССКИЙ

## ПЫЛЕСОС VT-8133 SR

Аккумуляторный пылесос предназначен для уборки помещений или салона автомобиля.

### ОПИСАНИЕ

1. Аккумуляторная батарея
2. Фиксатор аккумуляторной батареи
3. Ручка пылесоса
4. Клавиша включения
5. Панель управления

### Панель управления (5)

6. Клавиша фиксатора контейнера-пылесборника
7. Индикатор работы/зарядки
8. Кнопка выбора режимов работы
9. Контейнер-пылесборник
10. Клавиша фиксатора крышки контейнера-пылесборника
11. Клавиша фиксатора удлинительной трубки
12. Отверстия выходящего воздуха
13. Удлинительная трубка
14. Клавиша фиксатора электрощетки/насадок
15. Парковочный кронштейн
16. Электрощетка
17. Подсветка электрощетки
18. Колёсики
19. Вертикальная стойка напольной подставки с местом парковки щётки
20. Напольная подставка
21. Гнездо для подключения сетевого адаптера
22. Штекер шнура сетевого адаптера
23. Сетевой адаптер

### Электрощетка (16)

24. Фиксатор крепёжного узла круглой щётки
25. Крепёжный узел
26. Круглая щётка
27. Маленькие колёсики

### Контейнер-пылесборник (9)

28. Сепаратор
29. Съёмная часть сепаратора
30. Держатель HEPA-фильтра
31. HEPA-фильтр
32. Комбинированная насадка
33. Щелевая насадка
34. Крупночистый фильтр

## РЕКОМЕНДАЦИИ ПО МЕРАМ БЕЗОПАСНОСТИ

Перед использованием устройства внимательно прочитайте инструкцию по эксплуатации и сохраняйте её в течение всего срока эксплуатации. Неправильное обращение с устройством может привести к его поломке, причинению вреда пользователю или его имуществу.

Для снижения риска возникновения пожара, для защиты от поражения электрическим током и для предохранения от получения травм следуйте приведённым ниже рекомендациям.

- Используйте данное устройство только в соответствии с инструкцией по эксплуатации.
- Используйте только те аксессуары, которые входят в комплект поставки.
- Перед первой зарядкой аккумуляторной батареи убедитесь в том, что напряжение в электрической сети соответствует рабочему напряжению сетевого адаптера.
- Не заряжайте аккумулятор в местах с повышенной влажностью и высокой температурой. Производите зарядку аккумулятора при температуре от +5°C до +35°C и при относительной влажности не более 80%.
- Не оставляйте сетевой адаптер без присмотра, если он включён в сетевую розетку.
- Не прикасайтесь к корпусу сетевого адаптера мокрыми руками.
- Запрещается закрывать входные и выходные отверстия пылесоса какими-либо предметами.
- Запрещается включать устройство, если воздухозаборное отверстие пылесоса заблокировано посторонним предметом.
- Следите за тем, чтобы волосы, а также свободно висящие элементы одежды, пальцы или другие части тела не находились рядом с воздухозаборным отверстием пылесоса.
- Будьте особенно внимательны при уборке лестничных площадок.
- Запрещается использовать пылесос для сбора легковоспламеняющихся жидкостей, таких как бензин, растворители. Запрещается использование пылесоса в местах хранения таких жидкостей.

- Запрещается с помощью пылесоса собирать горящие или дымящиеся сигареты, спички, тлеющий пепел, а также тонкодисперсную пыль, например, от штукатурки, бетона, муки или золы.
- Запрещается использовать пылесос, если:
  - не установлен контейнер-пылесборник;
  - не установлен HEPA-фильтр.
- Не погружайте пылесос, сетевой адаптер и аккумуляторную батарею в воду или в любые другие жидкости.
- Будьте особенно внимательны, если поблизости от работающего устройства находятся дети или лица с ограниченными возможностями.
- Данное устройство не предназначено для использования детьми.
- Во время работы и в перерывах между рабочими циклами размещайте устройство в местах, недоступных для детей.
- Прибор не предназначен для использования лицами (включая детей) с пониженными физическими, психическими или умственными способностями или при отсутствии у них опыта или знаний, если они не находятся под контролем или не проинструктированы об использовании прибора лицом, ответственным за их безопасность.
- Осуществляйте надзор за детьми, чтобы не допустить использования устройства в качестве игрушки.
- Из соображений безопасности детей не оставляйте полиэтиленовые пакеты, используемые в качестве упаковки, без присмотра.

**Внимание!** Не разрешайте детям играть с полиэтиленовыми пакетами или упаковочной плёнкой. **Опасность удушья!**

- Регулярно проверяйте состояние вилки сетевого шнура и сам сетевой шнур на отсутствие повреждений.
- Запрещается использовать устройство при наличии повреждений сетевого вилки или сетевого шнура, если устройством работает с перебоями, а также после падения устройства или в случае его протекания.
- Запрещается самостоятельно ремонтировать прибор. Не разбирайте прибор самостоятельно, при возникновении любых неисправностей, а также после падения устройства выключите прибор из электрической розетки и обратитесь в любой авторизованный (уполномочен-

ный) сервисный центр по контактным адресам, указанным в гарантийном талоне и на сайте [www.vitek.ru](http://www.vitek.ru).

- В целях защиты окружающей среды, после окончания срока службы прибора не выбрасывайте его вместе с бытовыми отходами, передайте прибор в специализированный пункт для дальнейшей утилизации.
- Во избежание повреждений перевозите устройство только в заводской упаковке.
- Следите за состоянием аккумуляторной батареи. Извлекайте аккумуляторную батарею из пылесоса, если устройство не будет использоваться продолжительное время.
- Храните устройство в сухом прохладном месте, недоступном для детей и людей с ограниченными возможностями.

**УСТРОЙСТВО ПРЕДНАЗНАЧЕНО ТОЛЬКО ДЛЯ БЫТОВОГО ИСПОЛЬЗОВАНИЯ**

## МЕРЫ ПРЕДОСТОРОЖНОСТИ

- Если во время уборки резко снизилась всасывающая мощность пылесоса, немедленно выключите пылесос и проверьте удлинительную трубку (13) на предмет засорения. Устраните засор, и только после этого можно продолжать уборку.
- Не производите уборку пылесосом в непосредственной близости от сильно нагретых поверхностей, рядом с пепельницами или в местах хранения легковоспламеняющихся жидкостей.

## СБОРКА ПЫЛЕСОСА

**После транспортировки или хранения устройства в зимних (холодных) условиях необходимо выдержать его при комнатной температуре не менее 3 часов.**

- Установите аккумуляторную батарею (1) на место установки. Для этого убедитесь, что фиксатор (2) повернут вертикально, совместите выступы на аккумуляторной батарее (1) с пазами в месте установки и вставьте аккумуляторную батарею (1) до упора. Убедитесь, что аккумуляторная батарея надёжно зафиксирована (рис. 1).
- Для снятия аккумуляторной батареи (1), используя, например, подходящую монету, поверните фиксатор (2) на 90 градусов и снимите аккумуляторную батарею (1).

## Зарядка аккумуляторной батареи

Перед первым использованием устройства или после длительного перерыва в его эксплуатации необходима 4-часовая зарядка аккумуляторной батареи (1).

Полного заряда аккумуляторной батареи (1) хватает приблизительно на 20 минут непрерывной работы пылесоса на максимальном уровне мощности и около 35-40 минут на низком уровне мощности.

- Соберите напольную подставку (20), для этого вставьте вертикальную стойку (19) в напольную подставку (20) до срабатывания фиксатора (рис. 2).
- Вставьте штекер шнура сетевого адаптера (22) в гнездо (21), вставьте сетевой адаптер (23) в розетку электрической сети (рис.3).
- Установите пылесос на зарядку (рис. 4), при этом загорится индикатор работы/зарядки (7).
- По окончании цикла зарядки аккумуляторной батареи (1) все сегменты индикатора (7) будут светиться зелёным цветом.

### Примечания:

- Длину шнура сетевого адаптера (23) можно регулировать, наматывая его на нижнюю часть напольной подставки (20) (рис. 5).
- Зарядку аккумуляторной батареи (1) производите при температуре от +5°C до +35°C.
- Если вы не пользовались устройством в течение месяца и более, полностью зарядите аккумуляторную батарею (1) перед использованием пылесоса.

## Подсоединение удлинительной трубки и насадок

- Вставьте удлинительную трубку (13) в воздухозаборное отверстие пылесоса до щелчка фиксатора (11) (рис. 6).
- Выберите необходимую насадку – электрическую щётку (16), комбинированную насадку (32) или щелевую насадку (33) – и подсоедините её к удлинительной трубке (13) (рис. 6).

### Примечание:

- При необходимости вы можете присоединить электрическую щётку (16), комбинированную насадку (32) или щелевую насадку (33) к воздухозаборному отверстию пылесоса без использования удлинительной трубки (13) (рис. 7).

## Электрическая щётка (16)

Электрическую щётку (16) используйте для уборки полов, чистки ковров и ковровых покрытий со средним и коротким ворсом, электрическая щётка (16) идеально подходит для уборки шерсти животных с ковровых покрытий. Круглая щётка вращается с помощью электромотора, встроенного в щётку, щетина щётки эффективно «вычёсывает» шерсть животных и «выметает» соринки из ворса ковровых покрытий.

Во время работы на щётке загорается подсветка (17).

### Примечания:

- Запрещается использовать электрическую щётку (16), если длина ворса ковровых покрытий более 15 мм.
- Не проводите щёткой (16) по электрическим проводам.
- Сразу по окончании уборки помещения с использованием щётки (16) выключайте пылесос.

## Комбинированная насадка (32)

Насадка (32) предназначена для сбора пыли с тканевой обивки мягкой мебели или гладких поверхностей, при этом наличие ворса препятствует повреждению полированной поверхности мебели

Для чистки гладких поверхностей необходимо сдвинуть щётку по направлению вперёд до фиксации (рис.8).

## Щелевая насадка (33)

Насадка (33) предназначена для чистки радиаторов, щелей, углов и пространства между подушками диванов.

- Для удобства хранения насадок (32, 33) на напольной подставке (20) предусмотрены места для их хранения (рис. 9).

## ИСПОЛЬЗОВАНИЕ ПЫЛЕСОСА

**Внимание! Включайте пылесос только с установленными контейнером-пылесборником (9) и установленным в нём НЕРА-фильтром (31). Обязательно проверяйте правильность сборки и установки контейнера-пылесборника (9).**

- Для удобства при хранении пылесоса или зарядке аккумуляторной батареи (1) используйте напольную подставку (20). Электрическую щётку можно устано-

вить в месте парковки на вертикальной стойке (19), установив парковочный кронштейн (15) на удлинительной трубке (13) в паз на вертикальной стойке (19) (рис. 10).

- Во время работы и переноски пылесоса держите его за ручку (3).
- Для включения пылесоса нажмите и удерживайте клавишу включения (4), при этом индикатор работы/зарядки (7) загорится зелёным цветом.
- Во время работы пылесоса Вы можете выбирать режимы работы пылесоса, нажимая на кнопку (8) расположенную на панели управления (5). Пылесос имеет два режима работы:
  - при работе пылесоса на максимальном уровне мощности заряда аккумуляторной батареи (1) хватает приблизительно на 20 минут непрерывной работы;
  - на низком уровне мощности время работы составит приблизительно 35-40 минут.

**Примечание:**

- Во время работы пылесоса на индикаторе (7) (панель управления (5)) отображается степень зарядки аккумуляторной батареи.
- По мере разряда аккумуляторной батареи на индикаторе работы/зарядки (7) уменьшается количество светящихся зелёным цветом сегментов.
- В случае недостаточного заряда аккумуляторной батареи (1) на индикаторе работы/зарядки (7) будет мигать зелёным цветом первый сегмент. В этом случае рекомендуется прекратить работы и поставить пылесос на основании (20) для зарядки аккумуляторной батареи.
- В случае полной разрядки аккумуляторной батареи, при нажатии и удержании клавиши включения (4) на индикаторе (7) загорятся все сегменты и будут мигать три раза, после чего индикатор (7) погаснет. В этом случае необходимо произвести полный цикл зарядки аккумуляторной батареи (1).
- Для переноски пылесоса используйте ручку (3).

**ЧИСТКА И УХОД**

Производите удаление пыли и мусора из контейнера-пылесборника (9) после каждого использования пылесоса, регулярно проводите чистку контейнера (9), сепаратора (28) и HEPA-фильтра (31).

- Если вы использовали устройство с установленной удлинительной трубкой (13), прежде чем удалить из контейнера-пылесборника (9) пыль и мусор, желательнее отсоединить удлинительную трубку (13), нажав на клавишу фиксатора (11).
- Для удаления пыли и мусора расположите контейнер-пылесборник (9) над мусорным ведром, нажмите на клавишу фиксатора крышки (10), удалите пыль и мусор, закройте крышку до срабатывания клавиши фиксатора (10) (рис. 11).

**Чистка контейнера-пылесборника (9) (рис. 13)**

- Перед снятием контейнера-пылесборника (9) удалите из него пыль и мусор, как указано выше.
- Придерживая контейнер-пылесборник (9), нажмите на клавишу фиксатора (6) и снимите контейнер-пылесборник (9) (рис. 12).
- Выньте HEPA-фильтр (31) из держателя (30) потянув за выступ на HEPA-фильтре (рис. 13.1).
- Поверните против часовой стрелки и снимите держатель HEPA-фильтра (30) (рис. 13.2).
- Извлеките из контейнера-пылесборника (9) сепаратор (28) со съёмной частью сепаратора (29) вытянув его из контейнера-пылесборника (9) (рис. 13.3).
- Очистите сепаратор (28) и HEPA-фильтр (31) от мусора и пыли, для этого можно использовать насадку (32) (рис. 14).
- Поверните против часовой стрелки съёмную часть сепаратора (29) (рис. 13.4).
- Промойте контейнер-пылесборник (9), все съёмные детали (28, 29, 30) и HEPA-фильтр (31) под струёй тёплой проточной воды. Не используйте для промывки всех съёмных деталей посудомоечную машину (рис. 15).

**Примечание:**

- Перед сборкой и установкой тщательно просушите контейнер-пылесборник (9),

# РУССКИЙ

все съёмные детали (28, 29, 30) и HEPA-фильтр (31) (рис. 16).

- Запрещается использовать для сушки всех съёмных деталей нагревательные приборы, в том числе фен.
- Перед сборкой контейнера-пылесборника (9) и установкой его на место убедитесь, что все съёмные детали чистые и сухие.

## Сборка контейнера-пылесборника (9)

- Совместите метки на сепараторе (28) и съёмной части сепаратора (29), поверните съёмную часть (29) по часовой стрелке до упора.
- Вставьте сепаратор (28) со съёмной частью (29) в контейнер пылесборник (9), совместив выступ на съёмной части (29) с пазом на внутренней поверхности контейнера-пылесборника (9).
- Совместив метки, установите держатель HEPA-фильтра (30) в контейнер-пылесборник (9) и поверните его по часовой стрелке до упора.
- Установите на место HEPA-фильтр (31), совместив паз на HEPA-фильтре (31) с выступом на держателе фильтра (30).
- Слегка нажмите на центральную часть HEPA-фильтра (31) для его правильной посадки.
- Перед установкой контейнера-пылесборника (9) убедитесь в чистоте крупноячеистого фильтра, расположенного на воздухозаборной решётке пылесоса, при необходимости очистите фильтр.
- Установите собранный контейнер-пылесборник (9) на место (рис. 12).

**Внимание!** Следите за чистотой контейнера-пылесборника (9), сепаратора (28) и HEPA-фильтра (31), поскольку от этого зависит эффективность работы пылесоса; проводите регулярную чистку контейнера-пылесборника (9), сепаратора (28) и HEPA-фильтра (31).

## Чистка электрической щётки (16) (рис. 17, 18)

Следите за чистотой электрической щётки (16), по мере загрязнения разбирайте щётку (16) и очищайте круглую щётку (26).

- Снимите электрическую щётку (16) с удлинительной трубки (13), нажав на клавишу фиксатора (14).

- Нажмите на фиксатор (24) по направлению стрелки (рис. 17).
- Откиньте крепёжный узел (25).
- Выньте круглую щётку (26) и удалите намотавшиеся на щётку (26) нити и волосы.
- Очистите от пыли и мусора внутреннюю и внешнюю поверхности корпуса электрической щётки (16).

## Сборка электрической щётки (16) (рис. 18)

- Вставьте правую часть щётки (26) в корпус.
- Установите левую часть щётки (26) на место.
- Переместите по направлению вправо фиксатор (24), опустите крепёжный узел (25) и отпустите фиксатор (24).
- Убедитесь в надёжной фиксации круглой щётки (26).

## Чистка корпуса пылесоса

- Протирайте корпус пылесоса и напольную подставку (20) слегка влажной, мягкой тканью, после чего вытрите насухо.
- Запрещается погружать корпус пылесоса, электрическую щётку (16) и сетевой адаптер (23) в воду или в любые другие жидкости. Не допускайте попадания жидкости внутрь корпуса пылесоса и электрической щётки (16).
- Для чистки корпуса пылесоса и всех деталей запрещается использовать растворители и абразивные чистящие средства.

## ХРАНЕНИЕ

- Прежде чем убрать пылесос на длительное хранение, проведите чистку корпуса пылесоса, контейнера-пылесборника (9) и электрической щётки (16).
- Для удобства при хранении используйте напольную подставку (20) с расположенными на ней насадками (32, 33), пылесосом, удлинительной трубкой (13) с электрической щёткой (16) (рис. 10).
- При длительном хранении пылесоса отсоедините аккумуляторную батарею (1), разберите подставку (20) и сложите детали в упаковку.
- Храните пылесос в сухом прохладном месте, недоступном для детей.

## КОМПЛЕКТ ПОСТАВКИ

1. Пылесос (с установленными контейнером-пылесборником) – 1 шт.
2. Аккумуляторная батарея – 1 шт.
3. Удлинительная трубка – 1 шт.
4. Электрическая щётка – 1 шт.
5. Щелевая насадка – 1 шт.
6. Комбинированная насадка – 1 шт.
7. Инструкция – 1 шт.

## ТЕХНИЧЕСКИЕ ХАРАКТЕРИСТИКИ

Сетевой адаптер

Напряжение питания: ~220-240 В ~ 50 Гц

Выходное напряжение:  23 В 600 мА

Максимальная мощность: 200 Вт

Мощность всасывания: 60 Вт

Ёмкость пылесборника: 0,35 л

Аккумулятор: 22,2 В, Li-Ion 2100 мА/ч

*Производитель сохраняет за собой право изменять дизайн и технические характеристики устройства без предварительного уведомления*

**Срок службы устройства – 3 года**



*Данное изделие соответствует всем требуемым европейским и российским стандартам безопасности и гигиены.*

**Изготовитель:** АНДЕР ПРОДАКТС ГмбХ, Австрия

**Адрес:** Нойбаугюртель 38/7А, 1070 Вена, Австрия

**Информация для связи** – email: [anderproduct@gmail.com](mailto:anderproduct@gmail.com)

Информация об Импортере указана на индивидуальной упаковке.

Информация об авторизованных (уполномоченных) сервисных центрах указана в гарантийном талоне и на сайте [www.vitek.ru](http://www.vitek.ru)

Единая справочная служба:

+7 (495) 921-01-70

Сделано в Китае

# ҚАЗАҚША

## ШАҢСОРҒЫШ VT-8133 SR

Аккумуляторлық шаңсорғыш панажайлар мен автомобиль салонын жинастыруға арналған.

### СИПАТТАМАСЫ

1. Аккумуляторлық батарея
2. Аккумуляторлық батарея бекіткіші
3. Шаңсорғыш қолсабы
4. Іске қосу пернесі
5. Басқару тақтасы

### Басқару тақтасы (5)

6. Контейнер-шаңжинауыш бекіткішінің пернесі
7. Жұмыс істеу/қуаттану көрсеткіші
8. Жұмыс режимдерін таңдау батырмасы
9. Контейнер-шаңжинауыш
10. Контейнер-шаңжинауыш қақпағы бекіткішінің пернесі
11. Ұзартқыш түтік бекіткішінің пернесі
12. Шығатын ауа саңылауы
13. Ұзартқыш түтік
14. Электрлік қылшақ/қондырмалар бекіткішінің пернесі
15. Тұрақ кронштейні
16. Электрқылшағы
17. Электрқылшағының көмескілеуі
18. Дөңгелекшелері
19. Қылшақ тұрағының орны бар еденді тұғырдың тік тіреуі
20. Еденді тұғыр
21. Желілік бейімдеуішті қосқа арналған ұя
22. Желілік бейімдеуіш бауының істікшесі
23. Желілік бейімдеуіш

### Электрқылшағы (16)

24. Дөңгелек қылшақ бекітетін түйіспесінің бекіткіші
25. Бекітетін түйіспе
26. Дөңгелек қылшақ
27. Кішкентай дөңгелектер

### Контейнер-шаңжинауыш (9)

28. Сепаратор
29. Сепаратордың шешіlmелі бөлігі
30. HEPA-сүзгі ұстауышы
31. HEPA-сүзгі
32. Аралас қондырма
33. Саңылауларға арналған қондырма
34. Ірісаңылаулы сүзгі

### ҚАУІПСІЗДІК ШАРАЛАРЫ БОЙЫНША ҰСЫНЫСТАР

Құрылғыны пайдалану алдында берілген пайдалану бойынша нұсқаулықты зейін қойып

оқып шығыңыз және оны бүкіл пайдалану мерзімі бойы сақтаңыз. Құрылғыны дұрыс қолданбау оның бұзылуына, пайдаланушыға немесе оның мүлгіне зиян келтіруіне әкелуі мүмкін.

Өртену, электр тоғымен зақымдану немесе жарақат алу тәуекелін азайту үшін төмендегі қауіпсіздік шаралары бойынша ұсыныстарды орындау керек.

- Берілген құрылғыны тек оның тікелей міндеті бойынша ғана берілген басшылықта жазылғандай пайдаланыңыз.
- Жеткізілім жинағына кіретін жабдықтар мен қондырмаларды ғана пайдаланыңыз.
- Аккумуляторлық батареяны қуаттандыру алдында желілік бейімдеуіште көрсетілген жұмыс істеу кернеуі сіздің үйіңіздің электр желісіндегі кернеуге сәйкес болуына көз жеткізіңіз.
- Ылғалдылығы жоғары және жоғары температурасы бар жерлерде аккумуляторды қуаттандырмаңыз. Аккумуляторды қуаттандыруды +5°C-ден +35°C-ге дейінгі температурада және 80% аспайтын салыстырмалы ылғалдылықта жүзеге асырыңыз.
- Желілік бейімдеуіш желілік ашалыққа қосуды тұрған кезде оны қараусыз қалдырмаңыз.
- Желілік бейімдеуіштің корпусына дымқыл қолыңызды тигізбеңіз.
- Құрылғының кіргізетін және шығаратын саңылауын қандай да бір заттармен жабуға тыйым салынады.
- Егер құрылғының қандай да бір саңылауы бөгеттелген болса, оны іске қосуға тыйым салынады.
- Шаштардың, сонымен қатар бос салбыраған киім бөліктері, саусақтар немесе басқа дене мүшелері шаңсорғыштың ауатартқыш саңылауларының қасында орналаспауын қадағаланыз.
- Баспалдақ алаңшаларын жинастырғанда аса назар болыңыз.
- Шаңсорғышты бензин, еріткіштер сияқты жеңіл тұтанатын сұйықтықтарды жинауға пайдалануға тыйым салынады; шаңсорғышты осындай сұйықтықтарды сақтайтын жерлерде пайдалануға тыйым салынады.
- Шаңсорғыш көмегімен суды немесе басқа сұйықтықтарды, жанып немесе түтіндеп жатқан темекілерді, сіріңкелерді, шоқты, сонымен қатар сылақтың, бетонның, ұнның



немесе күлдің майда түйіршікті шаңын жинауға тыйым салынады.

- Егер мыналар орнатылмаған болса шаңсорғышты пайдалануға тыйым салынады:
  - контейнер-шаңжинауыш орнатылмаған;
  - НЕРА-сүзгілер.
- Шаңсорғышты, желілік бейімдеуішті және аккумуляторлық батареяны суға немесе кез-келген басқа сұйықтықтарға матырмаңыз.
- Жұмыс істеп тұрған құрылғының қасында балалар немесе мүмкіндіктері шектеулі тұлғалар болса, аса назар болыңыз.
- Берілген құрылғы балалардың пайдалануына арналмаған.
- Жұмыс уақытында және жұмыс циклдері арасындағы үзілістерде құрылғыны балалардың қолы жетпейтін жерлерде орналастырыңыз.
- Дене, жүйке немесе сана мүмкіндіктері төмендетілген тұлғалардың (балаларды қоса) немесе оларда тәжірибесі немесе білімі болмаса, егер олар бақыланбаса немесе олардың қауіпсіздігі үшін жауап беретін тұлғамен аспапты пайдалану туралы нұсқаулықтар берілген болмаса, аспап олардың пайдалануына арналмаған.
- Балаларға шаңсорғышты ойыншық ретінде пайдалануға рұқсат етпеңіз.
- Балалардың қауіпсіздігі мақсатында орау ретінде пайдаланылатын полиэтилен қаптарды қараусыз қалдырмаңыз.

**Назар аударыңыз!** Балаларға полиэтилен қаптармен немесе пленкамен ойнауға рұқсат етпеңіз. **Тұншығу қаупі бар!**

- Желілік баудың айыртетігін және желілік баудың өзін бүлінулердің жоқ екеніне мезгілімен тексеріп тұрыңыз.
- Желілік айыртетік немесе желілік бау бүлінген кезде, құрылғы іркілістермен жұмыс істесе, сонымен қатар ол құлағаннан кейін немесе ол аққан жағдайда құрылғыны пайдалануға тыйым салынады.
- Аспапты өз бетімен жөндеуге тыйым салынады. Аспапты өз бетіңізбен бөлшектемеңіз, кез-келген ақаулықтар пайда болғанда, сонымен қатар ол құлғаннан кейін кепілдеме талоны мен [www.vitek.ru](http://www.vitek.ru) сайтында көрсетілген хабарласу мекен-жайлары бойынша кез-келген туындыгерлес (өкілетті) қызмет көрсету орталығына хабарласыңыз.

- Қоршаған ортаны қорғау мақсатында, аспаптың қызмет ету мерзімі аяқталғаннан кейін оны тұрмыстық қоқыстрамен бірге тастамаңыз, аспапты арнайы пунктке келесі қайта өңдеу үшін өткізіңіз.
- Бүлінулерге дол бермеу үшін құрылғыны тек зауыттық орауда тасымалданыз.
- Аккумуляторлық батареяның күйін қадағалаңыз. Егер құрылғы ұзақ уақыт бойы пайдаланылмайтын болса, аккумуляторлық батареяны шаңсорғыштан шығарыңыз.
- Құрылғыны балалардың және мүмкіндіктері адамдардың қолы жетпейтін жерде сақтаңыз.

**ҚҰРЫЛҒЫ ТЕК ТҰРМЫСТЫҚ ЖАҒДАЙДА ПАЙДАЛАНУҒА АРНАЛҒАН**

## САҚТАНДЫРУ ШАРАЛАРЫ

- Егер жинастыру кезінде шаңсорғыштың сорғызу қуаты кенет азайып қалса, оны дереу сөндіріңіз және ұзартқыш түтіктің (13) қоқыстануын тексеріңіз. Шаңсорғышты сөндіріңіз, содан кейін оны электрлік желіден ажыратыңыз, қоқыстануды жойыңыз, осыдан кейін ғана жинастыруды жалғастыруға болады.
- Қатты қыздырылған сыртқы беттердің тікелей қасында, құлсауыттардың қасында, сонымен қатар тез тұтанатын сұйықтықтар сақталатын жерлерде шаңсорғышпен жинастыруды жүргізбеңіз.

## ШАҢСОРҒЫШТЫ ҚҰРАСТЫРУ

**Құрылғыны қысқы (суық) жағдайларда сақтаған немесе тасымалдаған кезде оны бөлме температурсында үш сағаттан кем емес уақыт ұстаған жөн.**

- Аккумуляторлық батареяны (1) орнына орнатыңыз. Бұл үшін бекіткіш (2) тік бұрылғанына көз жеткізіңіз, аккумуляторлық батареядағы (1) шығыңқыларды орнату орнындағы ойықтармен сәйкестендіріңіз және аккумуляторлық батареяны (1) тірелгенге дейін салыңыз. Аккумуляторлық батареяның сенімді бекітілгеніне көз жеткізіңіз (сур. 1).
- Аккумуляторлық батареяны (1) шешу үшін, мысалы, сәйкес келетін тиынды пайдаланып, бекіткішті (2) 90 градусқа бұрыңыз және аккумуляторлық батареяны (1) шешіңіз.

# ҚАЗАҚША

## **Аккумуляторлық батареяны қуаттандыру**

Құрылғыны алғашқы пайдалану алдында немесе оны пайдалануда ұзақ үзілістен кейін аккумуляторлық батареяны (1) 4 сағат бойы қуаттандыру қажет.

Аккумуляторлық батареяның (1) толық қуаты шаңсорғыштың шамамен 20 минут бойы максималды қуатының деңгейінде және 35-40 минут бойы төмен қуатының деңгейінде үзіліссіз жұмыс істеуіне жетеді.

- Еденді тұғырды (20) құрастырыңыз, бұл үшін тік тіреуді (19) еденді тұғырға (20) бекіткіш іске қосылға дейін салыңыз (сур. 2).
- Желілік бейімдеуіш баусымының ашасын (22) ұяға (21) салыңыз, желілік бейімдеуішті (23) электрлік желінің ашалығына салыңыз (сур.3).
- Шаңсорғышты қуаттандыруға қойыңыз (сур. 4), осы кездеіске қосу/қуаттандыру көрсеткіші (7) жанады.
- Аккумуляторлық батареяны (1) қуаттандыру циклі аяқталғаннан кейін көрсеткіштің (7) барлық сегменттері жасыл түспен жанып тұрады.

### **Ескерту:**

- Желілік бейімдеуіш (23) бауының ұзындығын оны еденді тұғырдың (20) төменгі бөлігіне орап реттеуге болады (сур. 5).
- Аккумуляторлық батареяны (1) қуаттандыруды +5°C-ден +35°C-ге дейінгі температурада жүргізіңіз.
- Егер сіз құрылығыны бір ай және одан көп пайдаланбаған болсаңыз, шаңсорғышты пайдалану алдында аккумуляторлық батареяны (1) толық қуаттандырыңыз.

## **Ұзартқыш түтікті және қондырмаларды қосу**

- Ұзартқыш түтікті (13) шаңсорғыштың ауатартқыш саңылауын бекіткіштің (11) шыртылына дейін салыңыз (сур. 6).
- Қажетті қондырманы – электрлік қылшақты (16), аралас қондырманы (32) немесе саңылауларға арналған қылшақты (33) таңдаңыз – және оны ұзартқыш түтікке (13) қосыңыз (сур. 6).

### **Ескерту:**

- Қажет болғанда сіз электрлік қылшақты (16), аралас қондырманы (32) немесе саңылауларға арналған қылшақты (33) шаңсорғыштың ауатартқыш саңылауына

ұзартқыш түтікті (13) пайдаланбай қоса аласыз (сур. 7).

## **Электрлік қылшақ (16)**

Электрлік қылшақты (16) едендерді жинастыру, орташа және қысқа түгі бар кілемдер мен кілем төсеніштерін тазалау үшін пайдаланыңыз, электрлік қылшақ (16) жануарлардың жүнін кілем төсеніштерінен жинастыруға өте жақсы жарайды. Қылшаққа іштетілген дөңгелек қылшақ электрмотор көмегімен айналады, қылшақтың қылы кілем төсеніштерінің түгінен жануарлардың жүнін нәтижелі «тарайды» және қиқымдарды «сыпыртады».

Жұмыс істеген уақытта қылшақта көмескілеу (17) жанады.

### **Ескерту:**

- Егер кілем төсеніштері түгінің ұзындығы 15 мм артық болса, электрлік қылшақты (16) пайдалануға тыйым салынады.
- Қылшақпен (16) электрлік сымлдармен жүргізбеңіз.
- Электрлік қылшақты (16) пайдаланып жинастыруды аяқтағаннан кейін бірден шаңсорғышты сөндіріңіз.

## **Аралас қондырма (32)**

Қондырма (32) жұмсақ жиһаздың мата қаптауынан немесе жұмыр беттерден шаңды жинауға арналған, осы кезде түктің болуы жиһаздың жылтыр бетінің бүлінуіне жол бермейді.

Жұмыр беттерді тазалау үшін қылшақты алдыңғы бағытта бекітілгенге дейін шығару қажет (сур.8).

## **Саңылауларға арналған қондырма (33)**

Қондырма (33) радиаторларды, саңылауларды, бұрыштарды және диан жастықтарының арасындағы кеңістікті тазалауға арналған.

- Қоныдрмаларды (32, 33) еденді тұғырда (20) сақтау ыңғайлылығы үшін оларды сақтауға орындар көзделген (сур. 9).

## **ШАҢСОРҒЫШТЫ ПАЙДАЛАНУ**

**Назар аударыңыз! Шаңсорғышты орнатылған контейнер-шаңжинауышпен (9) және оған орнатылған HEPA-сүзгімен (31) ғана іске қосыңыз. Контейнер-шаңжинауыштың (9) құрастырудың және орнатудың дұрыстығын міндетті тексеріңіз.**

- Шаңсорғышты сақтау немесе аккумуляторлық баатареяны (1) қуаттандырған кездегі ыңғайлылық үшін еденді тұғырды (20) пайдаланыңыз. Электрлік қылшақты тік тіреудің (19) тұрағы орнына ұзартқыш түтіктегі (13) тұрақ кронштейнін (15) тік тіреудегі (19) ойыққа орнатып орнатуға болады (сур. 10).
- Шаңсорғышпен жұмыс істеген және оны тасымалдаған кезде оның қолсабынан (3) ұстаңыз.
- Шаңсорғышты іске қосу үшін іске қосу пернесін (4) басыңыз және ұстап тұрыңыз, осы кезде жұмыс істеу/қуаттандыру көрсеткіші (7) жасыл түспен жанады.
- Шаңсорғыш жұмыс істеген уақытта Сіз басқару тақтасында (5) орналасқан батырманы (8) басып, шаңсорғыш жұмысының режимдерін таңдай аласыз. Шаңсорғыштың екі жұмыс істеу режимі бар:
  - шаңсорғыш максималды қуатында жұмыс істеген кезде аккумуляторлық батарея (1) шамамен 20 минут үздіксіз жұмыс істеуге жетеді;
  - қуатының төмен деңгейінде жұмыс істеу уақыты шамамен 35-40 минутты құрайды.

### **Ескерту:**

- Шаңсорғыш жұмыс істеген уақытта көрсеткіште (7) (Басқару тақтасы (5)) аккумуляторлық батареяның қуатының дәрежесі көрсетіледі.
- Аккумуляторлық батарея қуатсызданған сайын жұмыс істеу/қуаттандыру көрсеткішінде (7) жасыл түспен жанып тұрған сегменттердің саны азаяды.
- Аккумуляторлық батареяның (1) жеткіліксіз қуаты жағдайында жұмыс істеу/қуаттандыру көрсеткішінде (7) жасыл түспен бірінші сегмент жанып тұрады. Бұл жағдайда жұмыс істеуді доғару және аккумуляторлық батареяны қуаттандыру үшін шаңсорғышты негізге (20) қою ұсынылады.
- Аккумуляторлық батареяның толық қуатсыздануы жағдайында, іске қосу пернесін (4) басқан және ұстап тұрған кезде көрсеткіште (7) барлық сегменттер жанады және үш рет жанып-сөнеді, содан кейін көрсеткіш (7) сөнеді. Бұл жағдайда аккумуляторлық батареяны

(1) қуаттандырудың толық циклін жүргізу ұсынылады.

- Шаңсорғышты тасымалдау үшін қолсапты (3) пайдаланыңыз.

### **ТАЗАЛАУ ЖӘНЕ КҮТІМ**

Шаңсорғышты әр пайдаланған сайын, контейнер-шаңжинауыштан (9) шаң мен қоқысты жоюды жүзеге асырыңыз, контейнерді (9), сепараторды (28) және НЕРА-сүзгіні (31) тазалауды тұрықты жүргізіңіз.

- Егер сіз орнатылған ұзартқыш түтікпен пайдаланған болсаңыз, контейнер-шаңжинауыштан (9) шаң мен қоқысты жою алдында, бекіткіш пернесін (11) басып, ұзартқыш түтікті (13) шешкен жөн.
- Шаң мен қоқысты жою үшін контейнер-шаңжинауышты (9) қоқыс шелегінің үстінен орналастырыңыз, қақпақ бекіткішінің пернесіне (10) басыңыз, шаң мен қоқысты жойыңыз, бекіткіш пернесі (10) іске қосылғанға дейін қақпақты жабыңыз (сур. 11).

### **Контейнер-шаңжинауышты (9) тазалау (сур. 13)**

- Контейнер-шаңжинауышты (9) шешу алдында одан шаң мен қоқысты жоғарыда көрсетілгендей жойыңыз.
- Контейнер-шаңжинауышты (9) ұстап тұрып, бекіткіш пернесін (6) басыңыз және контейнер-шаңжинауышты (9) шешіңіз (сур. 12).
- НЕРА-сүзгідегі шығыңқыдан тартып, НЕРА-сүзгіні (31) ұстауыштан (30) шығарыңыз (сур. 13.1).
- НЕРА-сүзгі ұстауышын (30) сағат тіліне қарсы бұраңыз және шешіңіз (сур. 13.2).
- Сепаратордың шешілмелі бөлігі (29) бар сепараторды (28) контейнер-шаңжинауыштан (9) тартып, оны контейнер-шаңжинауыштан (9) шығарыңыз (сур. 13.3).
- Сепараторды (28) және НЕРА-сүзгіні (31) қоқыс пен шаңнан тазалаңыз, бұл үшін қондырманы (32) пайдалануға болады (сур. 14).
- Сепаратордың (29) шешілмелі бөлігін сағат тіліне қарсы бұраңыз (сур. 13.4).
- Контейнер-шаңжинауышты (9), барлық шешілмелі бөлшектерді (28, 29, 30) және НЕРА-сүзгіні (31) жылы ағын судың астында жуыңыз. Барлық шешілмелі бөлшектерді жуу үшін ыдыс жуатын машинаны пайдаланбаңыз (сур. 15).

# ҚАЗАҚША

## **Ескерту:**

- *Контейнер-шаңжинауышты (9) барлық шешілмелі бөлшектерді (28, 29, 30) және НЕРА-сүзгіні (31) құрастыру және орнату алдында мұқият құрғатыңыз, (сур. 16).*
- *Барлық шешілмелі бөлшектерді құрғату үшін қыздырғыш аспаптарды, оның ішінде фенді пайдалануға тыйым салынады.*
- *Контейнер-шаңжинауышты (9) құрастыру және оны орнына орнату алдында барлық шешілмелі бөлшектердің таза және құрғақ екеніне көз жеткізіңіз.*

## **Контейнер-шаңжинауышты (9) құрастыру**

- Сепаратордағы (28) және сепаратордың шешілмелі бөлігіндегі (29) белгішелерді сәйкестендіріңіз, шешілмелі бөлігін (29) сағат тіл бұйымша тірелгенге дейін бұраңыз.
- Шешілмелі бөліктегі (29) шығыңқыны контейнер-шаңжинауыштың (9) ішкі бетіндегі ойықпен сәйкестендіріп, шешілмелі бөлігі (29) бар сепараторды (28) контейнер шаңжинауышқа (9) салыңыз.
- Белгішелерді сәйкестендіріп, НЕРА–сүзгінің ұстауышын (30) контейнер-шаңжинауышқа (9) салыңыз және оны сағат тілі бойынша тірелгенге дейін бұраңыз.
- НЕРА-сүзгідегі (31) ойықты сүзгі ұстауышындағы (30) шығыңқымен сәйкестендіріп, НЕРА-сүзгіні (31) орнатыңыз.
- НЕРА-сүзгіні (31) дұрыс отырғызу үшін оның ортаңғы бөлігіне сәл басыңыз.
- Контейнер-шаңжинауышты (9) орнату алдында шаңсорғыштың ауатартқыш саңылауында орнатылған ірі саңылаулы сүзгінің таза екеніне көз жеткізіңіз, қажет болғанда сүзгіні тазартыңыз.
- Құрастырылған контейнер-шаңжинауышты (9) орнына орнатыңыз (сур. 12).

**Назар аударыңыз!** *Контейнер-шаңжинауыштың (9), сепаратордың (28) және НЕРА-сүзгінің (31) тазалығын қадағалаңыз, себебі бұдан шаңсорғыш жұмысының нәтижелілігі байланысты болады; контейнер-шаңжинауышты (9), сепараторды (28) және НЕРА-сүзгіні (31) тазалауды тұрақты жүргізіңіз.*

## **Электрлік қылшақты (16) тазалау (сур. 17, 18)**

Электрлік қылшақтың (16) тазалығын қадағалаңыз, ластанған сайын қылшақты (16)

бөлшектеңіз және дөңгелек қылшақты (26) тазартыңыз.

- Электрлік қылшақты (16) ұзартқыш түтіктен (13) бекіткішке (14) басып шешіңіз.
- Бекіткішке (24) бағдар бағытында басыңыз (сур. 17).
- Бекітетін түйіспені (25) итеріп тастаңыз.
- Дөңгелек қылшақты (26) шығарыңыз және қылшаққа (26) оралған жіптер мен шаштарды жойыңыз.
- Электрлік қылшақтың (16) корпусының ішкі және сыртқы беттерін шаң мен қоқыстан тазартыңыз.

## **Электрлік қылшақты (16) құрастыру (сур. 18)**

- Қылшақтың (26) оң жақтау бөлігін корпусқа салыңыз.
- Қылшақтың (26) сол жақтау бөлігін орнына орнатыңыз.
- Бекіткішті (24) оң жақтау бағытында жылжытыңыз, бекітетін түйіспені (25) жіберіңіз және бекіткішті (24) жіберіңіз.
- Дөңгелек қылшақтың (26) сенімді бекітілгеніне көз жеткізіңіз.

## **Шаңсорғыш корпусы**

- Шаңсорғыш корпусын және еденді тұғырды (20) сәл дымқыл жұмсақ матамен сүртіңіз, содан кейін құрғатып сүртіңіз.
- Шаңсорғыш корпусын, электрлік қылшақты (16) және желілік бейімдеуішті (23) суға немесе кез-келген басқа сұйықтықтарға салуға тыйым салынады. Шаңсорғыш корпусының ішіне және электрлік қылшаққа (16) судың тиюіне жол бермеңіз.
- Шаңсорғыш корпусын және барлық бөлшектерді тазалау үшін еріткіштерді және қажайтын тазалағыш заттарды пайдалануға тыйым салынады.

## **САҚТАЛУЫ**

- Шаңсорғышты ұзақ уақытқа сақтауға қойғанға дейін, шаңсорғыш корпусын, шаңжинауышты (9) және электрлік қылшақты (16) тазалауды жүргізіңіз.
- Сақтау ыңғайлылығы үшін еденді тұғырды (20) оған орналастырылған қондырмалармен (32, 33), шаңсорғышпен, электрлік қылшағы (16) бар ұзартқыш түтікпен (13) пайдаланыңыз (сур. 10).

- Шаңсорғышты ұзақ сақтаған кезде аккумуляторлық батареяны (1) шешіңіз, тұғырды (20) бөлшектеңіз және бөлшектерді қорапқа салыңыз.
- Шаңсорғышты құрғақ салқын, балалардың қолы жетпейтін жерде сақтаңыз.

## ЖЕТКІЗІЛІМ ЖИНАҒЫ

1. Шаңсорғыш (орнатылған контейнер-шаңжинауышпен) – 1 дн.
2. Аккумуляторлық батарея – 1 дн.
3. Ұзартқыш түтік – 1 дн.
4. Электрлік қылшақ – 1 дн.
5. Саңылауларға арналған қылшақ – 1 дн.
6. Аралас қондырма – 1 дн.
7. Нұсқаулық – 1 дн.

## ТЕХНИКАЛЫҚ СИПАТТАМАЛАРЫ

Желілік бейімдеуіш

Қоректендіру кернеуі: ~220-240 В ~ 50 Гц

Шығаратын кернеуі:  23 В 600 мА

Максималды қуаты: 200 Вт

Сорғызу қуаты: 60 Вт  
Шаңжинауыш көлемі: 0,35 л  
Аккумуляторы: 22,2 В, Li-Ion 2100 мА/ч

*Өндіруші алдын-ала хабарлаусыз құрылғының дизайны мен техникалық сипаттамаларын өзгерту құқығын сақтайды.*

**Аспаптың қызмет ету мерзімі – 3 жыл**

## Гарантиялық міндеттілігі

Гарантиялық жағдайдағы қаралып жатқан бөлшектер дилерден тек сатып алынған адамға ғана беріледі. Осы гарантиялық міндеттілігіндегі шағымдалған жағдайда төлеген чек немесе квитанциясын көрсетуі қажет.



# УКРАЇНЬСКА

## ПИЛОСОС VT-8133 SR

Акумуляторний пилосос призначений для прибирання приміщень або салону автомобіля.

### ОПИС

1. Акумуляторна батарея
2. Фіксатор акумуляторної батареї
3. Ручка пилососа
4. Клавіша увімкнення
5. Панель управління

### Панель управління (5)

6. Клавіша фіксатора контейнера-пилосбірника
7. Індикатор роботи/заряджання
8. Кнопка вибору режимів роботи
9. Контейнер-пилосбірник
10. Клавіша фіксатора кришки контейнера-пилосбірника
11. Клавіша фіксатора подовжувальної трубки
12. Отвори виходячого повітря
13. Подовжувальна трубка
14. Клавіша фіксатора електрощітки/насадок
15. Паркувальний кронштейн
16. Електрощітка
17. Підсвічування електрощітки
18. Коліщатка
19. Вертикальна стійка для підлогової підставки з місцем паркування щітки
20. Підлогова підставка
21. Гніздо для підмикання мережного адаптера
22. Штекер шнура мережного адаптера
23. Мережний адаптер

### Електрощітка (16)

24. Фіксатор кріпильного вузла круглої щітки
25. Кріпильний вузол
26. Кругла щітка
27. Маленькі коліщатка

### Контейнер-пилосбірник (9)

28. Сепаратор
29. Знімна частина сепаратора
30. Тримач НЕРА-фільтра
31. НЕРА-фільтр
32. Комбінована насадка
33. Щілинна насадка
34. Великокомірчастий фільтр

### РЕКОМЕНДАЦІЇ ЩОДО ЗАХОДІВ БЕЗПЕКИ

Перед використанням пристрою уважно прочитайте інструкцію з експлуатації та зберігайте її протягом всього терміну експлуатації.

Неправильне поводження з пристроєм може призвести до його поломки, завдання шкоди користувачеві або його майну.

Для зниження ризику виникнення пожежі, для захисту від ураження електричним струмом та для запобігання здобуттю травм дотримуйтесь приведених нижче рекомендацій.

- Використовуйте даний пристрій лише відповідно до інструкції з експлуатації.
- Використовуйте тільки ті аксесуари, які входять до комплекту постачання.
- Перед першим заряджанням акумуляторної батареї переконайтеся у тому, що напруга в електричній мережі відповідає робочій напрузі мережного адаптера.
- Не заряджайте акумулятор у місцях з підвищеною вологістю та високою температурою. Робіть заряджання акумулятора при температурі від +5°C до +35°C і при відносній вологості не більше 80%.
- Не залишайте мережний адаптер без нагляду, якщо він увімкнений в мережеву розетку.
- Не торкайтеся корпусу мережного адаптера мокрими руками.
- Забороняється закривати вхідні та вихідні отвори пилососа будь-якими предметами.
- Забороняється вмикати пристрій, якщо повітрозабірний отвір пилососа заблокований стороннім предметом.
- Наглядайте за тим, щоб волосся, а також вільно висячі елементи одягу, пальці або інші частини тіла не знаходилися поряд з повітрозабірним отвором пилососа.
- Будьте особливо уважні при прибиранні схожих майданчиків.
- Забороняється використовувати пилосос для збору легкозаймистих рідин, таких як бензин, розчинники. Забороняється використання пилососа у місцях зберігання таких рідин.
- Забороняється за допомогою пилососа збирати гарячі або димлячі сигарети, сірники, тліючий попіл, а також тонкодисперсний пил, наприклад, від штукатурки, бетону, борошна або золи.
- Забороняється використовувати пилосос, якщо:
  - не встановлений контейнер-пилосбірник;
  - не встановлений НЕРА-фільтр.
- Не занурюйте пилосос, мережний адаптер та акумуляторну батарею у воду або у будь-які інші рідини.

- Будьте особливо уважні, якщо поблизу від працюючого пристрою знаходяться діти або особи з обмеженими можливостями.
- Цей пристрій не призначений для використання дітьми.
- Під час роботи та у перервах між робочими циклами розміщайте пристрій у місцях, недоступних для дітей.
- Пристрій не призначений для використання особами (включаючи дітей) зі зниженими фізичними, психічними або розумовими здібностями або при відсутності у них досвіду або знань, якщо вони не знаходяться під контролем або не проінструктовані щодо використання пристрою особою, відповідальною за їх безпеку.
- Здійсніть нагляд за дітьми, щоб не допустити використання пристрою як іграшки.
- З міркувань безпеки дітей не залишайте поліетиленові пакети, що використовуються як упаковка, без нагляду.

**Увага!** Не дозволяйте дітям грати з поліетиленовими пакетами або пакувальної плівкою.  
**Небезпека задусання!**

- Регулярно перевіряйте стан вилки мережного шнура та сам мережний шнур на наявність пошкоджень.
- Забороняється використовувати пристрій за наявності пошкоджень мережної вилки або мережного шнура, якщо пристрій працює з перебоями, а також після падіння пристрою або в разі його протікання.
- Забороняється самостійно ремонтувати пристрій. Не розбирайте пристрій самостійно, при виникненні будь-яких несправностей, а також після падіння пристрою вимкніть пристрій з електричної розетки та зверніться до будь-якого авторизованого (уповноваженого) сервісного центру за контактними адресами, вказаними у гарантійному талоні та на сайті [www.vitek.ru](http://www.vitek.ru).
- Для захисту навколишнього середовища після закінчення терміну служби пристрою не викидайте його разом з побутовими відходами, передайте пристрій у спеціалізований пункт для подальшої утилізації.
- Щоб уникнути пошкоджень, перевозьте пристрій тільки у заводській упаковці.
- Наглядайте за станом акумуляторної батареї. Витягуйте акумуляторну батарею з пилососа, якщо пристрій не буде використовуватися протягом тривалого часу.

- Зберігайте пристрій у сухому прохолодному місці, недоступному для дітей і людей з обмеженими можливостями.

**ПРИСТРІЙ ПРИЗНАЧЕНИЙ ТІЛЬКИ ДЛЯ ПОБУТОВОГО ВИКОРИСТАННЯ**

## ЗАПОБІЖНІ ЗАХОДИ

- Якщо під час прибирання різко низилася всмоктувальна потужність пилососа, негайно вимкніть пилосос та перевірте подовжувальну трубку (13) на предмет заміщення. Усуньте заміщення, і лише після цього можна продовжувати прибирання.
- Не робіть прибирання пилососом у безпосередній близькості від сильно нагрітих поверхонь, поряд з попілничками, а також у місцях зберігання легкозаймистих рідин.

## СКЛАДАННЯ ПИЛОСОСА

**Після транспортування або зберігання пристрою у зимових (холодних) умовах необхідно витримати його при кімнатній температурі не менше 3 годин.**

- Установіть акумуляторну батарею (1) на місце установлення. Для цього переконайтеся, що фіксатор (2) повернений вертикально, сумістить виступи на акумуляторній батареї (1) з пазами у місці установлення та вставте акумуляторну батарею (1) до упору. Переконайтеся, що акумуляторна батарея надійно зафіксована (мал. 1).
- Для зняття акумуляторної батареї (1), використовуючи, наприклад, відповідну монету, поверніть фіксатор (2) на 90 градусів та зніміть акумуляторну батарею (1).

## Заряджання акумуляторної батареї

Перед першим використанням пристрою або після тривалої перерви в його експлуатації необхідне 4-годинне заряджання акумуляторної батареї (1).

Повного заряду акумуляторної батареї (1) вистачає приблизно на 20 хвилин безперервної роботи пилососа на максимальному рівні потужності і близько 35-40 хвилин на низькому рівні потужності.

- Складіть підлогу підставку (20), для цього вставте вертикальну стійку (19) у підлогу підставку (20) до спрацювання фіксатора (мал. 2).

# УКРАЇНЬСКА

- Вставте штекер шнура мережного адаптера (22) у гніздо (21), вставте мережний адаптер (23) у розетку електричної мережі (мал. 3).
- Установіть пілосос на заряджання (мал. 4), при цьому засвітиться індикатор роботи/заряджання (7).
- Після закінчення циклу заряджання акумуляторної батареї (1) усі сегменти індикатора (7) світитимуться зеленим кольором.

## **Примітки:**

- Довжину шнура мережного адаптера (23) можна регулювати, намотуючи його на нижню частину підлогової підставки (20) (мал. 5).
- Заряджання акумуляторної батареї (1) робіть при температурі від +5°C до +35°C.
- Якщо ви не користувалися пристроєм протягом місяця і більше, повністю зарядіть акумуляторну батарею (1) перед використанням пілососа.

## **Під'єднання подовжувальної трубки і насадок**

- Вставте подовжувальну трубку (13) у повітрязабірний отвір пілососа до клацання фіксатора (11) (мал. 6).
- Виберіть необхідну насадку – електричну щітку (16), комбіновану насадку (32) або щілинну насадку (33) – і під'єднайте її до подовжувальної трубки (13) (мал. 6).

## **Примітка:**

- При необхідності ви можете приєднати електричну щітку (16), комбіновану насадку (32) або щілинну насадку (33) до повітрязабірного отвору пілососа без використання подовжувальної трубки (13) (мал. 7).

## **Електрична щітка (16)**

Електричну щітку (16) використовуйте для прибирання підлог, чищення килимів та килимових покриттів з середнім та коротким ворсом, електрична щітка (16) ідеально підходить до прибирання шерсті тварин з килимових покриттів. Кругла щітка обертається за допомогою електромотора, вбудованого у щітку, щетина щітки ефективно «вчісує» шерсть тварин і «вимітає» смітинки з ворсу килимових покриттів. Під час роботи на щітці засвічується підсвічування (17).

## **Примітки:**

- Забороняється використовувати електричну щітку (16), якщо довжина ворсу килимових покриттів більше 15 мм.

- Не проводіть щіткою (16) по електричним проводам.
- Відразу після закінчення прибирання прищипніть з використанням щітки (16) вимикайте пілосос.

## **Комбінована насадка (32)**

Насадка (32) призначена для збирання пилу з тканинної оббивки м'яких меблів або гладких поверхонь, при цьому наявність ворсу перешкоджає пошкодженню полірованої поверхні меблів. Для чищення гладких поверхонь необхідно зсунути щітку у напрямку вперед до фіксації (мал. 8).

## **Щілинна насадка (33)**

Насадка (33) призначена для чищення радіаторів, щілин, кутів та простору між подушками диванів.

- Для зручності зберігання насадок (32, 33) на підлоговій підставці (20) передбачені місця для їх зберігання (мал. 9).

## **ВИКОРИСТАННЯ ПИЛОСОСА**

**Увага! Вмикайте пілосос тільки зі встановленими контейнером-пилосбірником (9) та встановленим у ньому HEPA-фільтром (31). Обов'язково перевіряйте правильність складання та встановлення контейнера-пилосбірника (9).**

- Для зручності при зберіганні пілососа або заряджанні акумуляторної батареї (1) використовуйте підлогову підставку (20). Електричну щітку можна установити у місці паркування на вертикальній стійці (19), встановивши паркувальний кронштейн (15) на подовжувальній трубці (13) у паз на вертикальній стійці (19) (мал. 10).
- Під час роботи та перенесення пілососа тримайте за його ручку (3).
- Для увімкнення пілососа натисніть та утримуйте клавішу увімкнення (4), при цьому індикатор роботи/заряджання (7) засвітиться зеленим кольором.
- Під час роботи пілососа Ви можете вибрати режими роботи пілососа, натискаючи на кнопку (8), розташовану на панелі управління (5). Пілосос має два режими роботи:
  - при роботі пілососа на максимальному рівні потужності заряду акумуляторної батареї (1) вистачає приблизно на 20 хвилин безперервної роботи;



- на низькому рівні потужності час роботи складе приблизно 35-40 хвилин.

### **Примітка:**

- Під час роботи пилососа на індикаторі (7) (панель управління (5)) відображається ступінь зарядження акумуляторної батареї.
- У міру розрядження акумуляторної батареї на індикаторі роботи/ заряджання (7) зменшується кількість світних зеленим кольором сегментів.
- У разі недостатнього зарядження акумуляторної батареї (1) на індикаторі роботи/ заряджання (7) блиматиме зеленим кольором перший сегмент. У цьому випадку рекомендується припинити роботу та поставити пилосос на основі (20) для заряджання акумуляторної батареї.
- У разі повної розрядження акумуляторної батареї, при натисненні та утриманні клавіші увімкнення (4) на індикаторі (7) засвітяться всі сегменти та блимнуть три рази, після чого індикатор (7) погасне. У цьому випадку необхідно здійснити повний цикл заряджання акумуляторної батареї (1).
- Для перенесення пилососа використовуйте ручку (3).

### **ЧИЩЕННЯ ТА ДОГЛЯД**

Здійсніть усунення пилу та сміття з контейнера-пилосбірника (9) після кожного використання пилососа, регулярно робіть чищення контейнера (9), сепаратора (28) і HEPA-фільтра (31).

- Якщо ви використовували пристрій з встановленою подовжувальною трубкою (13), перш ніж видалити з контейнера-пилосбірника (9) пил та сміття, бажано від'єднати подовжувальну трубку (13), натиснувши на клавішу фіксатора (11).
- Для видалення пилу та сміття розташуйте контейнер-пилосбірник (9) над відром для сміття, натисніть на клавішу фіксатора кришки (10), видаліть пил та сміття, закрийте кришку до спрацювання кнопки фіксатора (10) (мал. 11).

### **Чищення контейнера-пилосбірника (9) (мал. 13)**

- Перед зняттям контейнера-пилосбірника (9) видаліть з нього пил та сміття, як вказано вище.
- Притримуючи контейнер-пилосбірник (9), натисніть на клавішу фіксатора (6) та зніміть контейнер-пилосбірник (9) (мал. 12).

- Вийміть HEPA-фільтр (31) з тримача (30), потягнувши за виступ на HEPA-фільтрі (мал. 13.1).
- Поверніть проти годинникової стрілки та зніміть тримач HEPA-фільтра (30) (мал. 13.2).
- Вийміть з контейнера-пилосбірника (9) сепаратор (28) зі знімною частиною сепаратора (29), витягнувши його з контейнера-пилосбірника (9) (мал. 13.3).
- Очистіть сепаратор (28) та HEPA-фільтр (31) від сміття та пилу, для цього можна використовувати насадку (32) (мал. 14).
- Поверніть проти годинникової стрілки знімну частину сепаратора (29) (мал. 13.4).
- Промийте контейнер-пилосбірник (9), все знімні деталі (28, 29, 30) та HEPA-фільтр (31) під струменем теплої проточної води. Не використовуйте для промивання всіх знімних деталей посудомийну машину (мал. 15).

### **Примітка:**

- Перед складанням та установленням ретельно просушіть контейнер-пилосбірник (9), все знімні деталі (28, 29, 30) та HEPA-фільтр (31) (мал. 16).
- Забороняється використовувати для сушіння всіх знімних деталей нагрівальні прилади, в тому числі фен.
- Перед складанням контейнера-пилосбірника (9) і установленням його на місце переконайтеся, що всі знімні деталі чисті і сухі.

### **Складання контейнера-пилосбірника (9)**

- Сумістіть мітки на сепараторі (28) і знімній частині сепаратора (29), поверніть знімну частину (29) за годинниковою стрілкою до упору.
- Вставте сепаратор (28) зі знімною частиною (29) у контейнер-пилосбірник (9), сумістивши виступ на знімній частині (29) з пазом на внутрішній поверхні контейнера-пилосбірника (9).
- Сумістивши мітки, установіть тримач HEPA-фільтра (30) у контейнер-пилосбірник (9) та поверніть його за годинниковою стрілкою до упору.
- Установіть на місце HEPA-фільтр (31), сумістивши паз на HEPA-фільтрі (31) з виступом на тримачі фільтра (30).
- Злегка натисніть на центральну частину HEPA-фільтра (31) для його правильного посадки.
- Перед установленням контейнера-пилосбірника (9) переконайтеся у чистоті великокомірчастого фільтра, розташованого

# УКРАЇНЬСКА

на воздухозаборній решітці пиłosоса, при необхідності очистіть фільтр.

- Установіть складений контейнер-пиłosбірник (9) на місце (мал. 12).

**Увага!** Наглядайте за чистотою контейнера-пиłosбірника (9), сепаратора (28) та HEPA-фільтра (31), оскільки від цього залежить ефективність роботи пиłosоса; здійсніть регулярне чищення контейнера-пиłosбірника (9), сепаратора (28) та HEPA-фільтра (31).

## Чищення електричної щітки (16) (мал. 17, 18)

Наглядайте за чистотою електричної щітки (16), у міру забруднення розбирайте щітку (16) та очистайте круглу щітку (26).

- Зніміть електричну щітку (16) з подовжувальної трубки (13), натиснувши на клавішу фіксатора (14).
- Натисніть на фіксатор (24) у напрямку стрілки (мал. 17).
- Відкиньте кріпильний вузол (25).
- Вийміть круглу щітку (26) та видаліть намотані на щітку (26) нитки та волосся.
- Очистіть від пилу та сміття внутрішню і зовнішню поверхні корпусу електричної щітки (16).

## Складання електричної щітки (16) (мал. 18)

- Вставте праву частину щітки (26) у корпус.
- Установіть ліву частину щітки (26) на місце.
- Перемістіть у напрямку вправо фіксатор (24), опустіть кріпильний вузол (25) та відпустіть фіксатор (24).
- Переконайтеся у надійній фіксації круглої щітки (26).

## Чищення корпусу пиłosоса

- Протирайте корпус пиłosоса та підлогову підставку (20) злегка вологою, м'якою тканиною, після чого витріть досуха.
- Забороняється занурювати корпус пиłosоса, електричну щітку (16) та мережний адаптер у воду або у будь-які інші рідини. Не допускайте потрапляння рідини всередину корпусу пиłosоса та електричної щітки (16).
- Для чищення корпусу пиłosоса та всіх деталей забороняється використовувати розчинники та абразивні очищувальні засоби.

## ЗБЕРІГАННЯ

- Перш ніж забрати пиłosос на тривале зберігання, здійсніть чищення корпусу пиłosоса,

контейнера-пиłosбірника (9) та електричної щітки (16).

- Для зручності при зберіганні використовуйте підлогову підставку (20) з розташованими на ній насадками (32, 33), пиłosосом, подовжувальною трубкою (13) з електричною щіткою (16) (мал. 10).
- При тривалому зберіганні пиłosоса від'єднайте акумуляторну батарею (1), розберіть підставку (20) та складіть деталі в упаковку.
- Зберігайте пиłosос у сухому прохолодному місці, недоступному для дітей.


## КОМПЛЕКТ ПОСТАЧАННЯ

1. Пиłosос (зі встановленим контейнером-пиłosбірником) – 1 шт.
2. Акумуляторна батарея – 1 шт.
3. Подовжувальна трубка – 1 шт.
4. Електрична щітка – 1 шт.
5. Щілинна насадка – 1 шт.
6. Комбінована насадка – 1 шт.
7. Інструкція – 1 шт.

## ТЕХНІЧНІ ХАРАКТЕРИСТИКИ

Мережний адаптер

Напруга живлення: ~220-240 В ~ 50 Гц

Вихідна напруга:  23 В 600 мА

Максимальна потужність: 200 Вт

Потужність всмоктування: 60 Вт

Місткість пиłosбірника: 0,35 л

Акумулятор: 22,2 В, Li-Ion 2100 мА/ч

*Виробник зберігає за собою право змінювати дизайн і технічні характеристики пристрою без попереднього повідомлення*

## Термін служби пристрою – 3 роки

## Гарантія

Докладні умови гарантії можна отримати в дилера, що продав дану апаратуру. При пред'явленні будь-якої претензії протягом терміну дії даної гарантії варто пред'явити чек або квитанцію про покупку.

*Даний виріб відповідає вимогам до електромагнітної сумісності, що пред'являються директивою 2014/30/ЕС Ради Європи й розпорядженням 2014/35/ЕС по низьковольтних апаратурах.*



## ЧАҢ СОРГУЧ VT-8133 SR

Аккумулятордон иштеген чаң соргучу имараттарды жана автомобильдин ичин тазалоо үчүн арналган.

### СЫПАТТАМА

1. Аккумулятор батареясы
2. Аккумулятор батареянын бекитмеси
3. Чаң соргучтун туткасы
4. Иштетүү баскычы
5. Башкаруу панели

### Башкаруу панели (5)

6. Чаң топтогуч контейнердин бекитме баскычы
7. Иштөө/кубаттандыруу индикатору
8. Иштөө режимдерин таңдоо баскычы
9. Чаң топтогуч контейнери
10. Чаң топтогуч контейнердин капкагынын бекитме баскычы
11. Узарткыч түтүгүнүн бекитме баскычы
12. Аба алгычтын тешиктери
13. Узарткыч түтүгү
14. Электрощетка/насадкаларын бекитме баскычы
15. Тирөөч кронштейни
16. Электр щеткасы
17. Электр щетканын жарыгы
18. Дөңгөлөктөрү
19. Щетканы коюучу жайы бар жерге коюлуучу түпкүчтүн тик тирөөчү
20. Жерге коюлуучу түпкүчү
21. Желе адаптердин сайылуучу тешиги
22. Желе адаптеринин шнурунун сайгычы
23. Желе адаптери

### Электр щеткасы (16)

24. Тегерек щетканын бекитүүчү түйүнүнүн бекитмеси
25. Бекитүүчү түйүнү
26. Тегерек щеткасы
27. Кичине дөңгөлөктөрү

### Чаң топтогуч контейнери (9)

28. Сепаратор
29. Сепаратордун чечилме бөлүгү
30. НЕРА-чыпкасынын кармагычы
31. НЕРА-чыпкасы
32. Бириктирилген насадкасы
33. Жылчык насадкасы
34. Чоң ячейкалуу чыпкасы

### КООПСУЗДУК ЧАРАЛАРЫ БОЮНЧА КЕҢЕШТЕР

Электр шайманды пайдалануудан мурун колдонмону көңүл коюп окуп-үйрөнүңүз, бүткүл

кызмат мөөнөтүнө сактап алыңыз. Шайманды туура эмес пайдалануу анын бузулуусуна, колдонуучуга же колдонуучунун мүлкүнө зыян келтирүүгө алып келиши мүмкүн.

Өрт коркунучун азайтуу үчүн, электр тогу ургандан, жаракат алуудан коргонуу үчүн төмөнкүдөгү кеңештерди колдонуңуз.

- Бул шайманды колдонмосуна ылайык гана колдонуңуз.
- Топтомуна кирген аксессуарларын гана колдонуңуз.
- Аккумулятор батареясын биринчи жолу кубаттандыруунун алдында желе адаптердин чыңалуусу электр тармагындагы чыңалуусуна ылайык болгонун текшерип алыңыз.
- Нымдуулугу же температурасы жогору болгон жерлерде аккумуляторду кубаттандырбаңыз. Аккумуляторду температурасы +5°C - +35°C жана салыштырмалуу нымдуулугу 80% ашпаган жерлерде кубаттандырыңыз.
- Электр розеткасына сайылган желе адапторду кароосуз таштабаңыз.
- Желе адапторду суу колуңуз менен тийбеңиз.
- Аба алуучу жана аба чыгуучу тешиктерин ар кайсы буюмдар менен жабууга тыюу салынат.
- Аба алуучу тешиги башка буюм менен тосулуп турганда шайманды иштетүүгө тыюу салынат.
- Чачыңыз, кийимдердин асылып турган жайлары, бармактар же башка буюмдар чаң соргучтун аба соруучу тешиктин жанында болбогонун байкап туруңуз.
- Тепкич айтчасын жыйнаганда өзгөчө көңүл буруңуздар.
- Чаң соргучту эриткич жана бензин катары бат жалындап кетүүчү суюктуктарды жыйноого, ошол суюктуктар сактоо жайында иштетүүгө тыюу салынат.
- Сууну же башка суюктуктарды, күйүп же түтөп турган тамекилерди, күкүрттөрдү, араң кызарып жаткан күлдү жана штукатурка, бетон, ун же күл аркылуу заттардын майда дисперстик чаңын жыйноого тыюу салынат.
- Эгерде:
  - чаң топтогуч орнотулбаган болсо;
  - НЕРА-чыпкасы орнотулбаган болсо чаң соргучту иштетүүгө тыюу салынат.
- Чаң соргучту, желе адапторун жана аккумулятор батареясын сууга же башка суюктуктарга салбаңыз.
- Иштеп турган шаймандын жанында балдар же жөндөмдүүлүгү төмөн болгон адамдар бар болгондо өзгөчө абайлап туруңуз.

# КЫРГЫЗ

- Бул шайман балдар колдонуу үчүн арналган эмес.
- Шайман иштеп турганда жана тыныгуу убактарында шайманды балдар жетпеген жерине коюңуз.
- Бул шайман дене күчү, сезими же акыл-эси жагынан жөндөмдүүлүгү төмөн (ошонун ичинде балдар да) адамдар же колдонуу боюнча тажрыйбасы же билими жок болгон адамдар, эгерде алардын коопсуздугуна жооптуу адам аларды көзөмөлдөп же инструкциялаган болбосо, колдонуу үчүн ылайыкташтырылбаган.
- Шайманды оюнчук катары колдонбоо үчүн балдарга көз салыңыз.
- Балдардын коопсуздугу үчүн таңгак катары колдонулган полиэтилен баштыктарды кароосуз таштаңыз.

**Көңүл буруңуздар!** Полиэтилен баштыктар же таңгак пленкасы менен ойногонго балдарга уруксат бербениз! Тумчуктуруунун коркунучу бар!

- Электр шнурун жана кубаттуучу сайгычын абалын бузулуулар болбоо үчүн мезгилдүү түрдө текшерип туруңуз.
- Электр шнурунун, кубаттуучу сайгычынын бузулуулары бар болсо, шайман иштеп-иштебей турса, кулап түшкөндөн кийин же агып турса анын иштетүүсүнө тыюу салынат.
- Шайманды өз алдынча оңдогонго тыюу салынат. Шайманды өз алдынча ажыратпай, ар кыл бузулуулар пайда болгон же шайман кулап түшкөн учурларда аны розеткадан суруп, кепилдик талонундагы же [www.vitek.ru](http://www.vitek.ru) сайтындагы тизмесине кирген автордоштурулган (ыйгарым укуктуу) тейлөө борборуна кайрылыңыз.
- Айлана чөйрөөнү сактоо максатында шайманды кызмат мөөнөтү бүткөндөн кийин аны турмуштук калдыктары менен чогуу ыргытпай, утилизациялоо үчүн адистештирилген пунктуна тапшырыңыз.
- Бузулуулар пайда болбоо үчүн шайманды заводдук таңгакында гана транспорттоо зарыл.
- Аккумулятор батареянын абалын байкап туруңуз. Шайманды көп убакыт иштелбей турганда аккумулятор батареясын чыгарып туруңуз.
- Шайманды балдар жана жөндөмдүүлүгү төмөн адамдар жетпеген кургак салкын жеринде сактаңыз.

АСПАП ТУРМУШ-ТИРИЧИЛИК КОЛДОНУУГА  
ГАНА АРНАЛГАН

## КООПСУЗДУК ЧАРАЛАРЫ

- Шайманды иштетип турган мезгилде соруунун кубаттуулугу тез азайып калса, аны токтоосуз өчүрүп, узарткыч түтүгүнө (13) бир нерсе тыгылып кетпегенин текшерип алыңыз. Тыгылган нерсени чыгарып, андан кийин гана иштетүүнү улантсаңыз болот.
- Өтө ысыган беттердин, мисалы, күл салгычтардын, тикеден-тике жакынчылыгында жана тез жалындап кетүүчү суюктуктар сакталган жеринде чаң соргучу иштетпеңиз.

## ЧАҢ СОРГУЧТУ КУРАШТЫРУУ

**Шайманды муздак (кыш) шартында транспорттоодон же сактоодон кийин аны үч сааттан кем эмес мөөнөткө үй температурасында кармап иштетүү зарыл.**

- Аккумулятор батареясын (1) өз жерине орнотуңуз. Ал үчүн бекитмеси (2) тик абалында болгонун текшерип алыңыз, аккумулятор батареясындагы (1) чыгып турган жерлерин коюлуучу жайынын тешиктери менен бириктирип, аккумулятор батареясын (1) басып киргизиңиз. Аккумулятор батареясы жакшылап бекитилгенин текшерип алыңыз (сүрөт 1).
- Аккумулятор батареясын (1) чечүү үчүн, мисалы үчүн, ылайыктуу монетаны колдонуп, бекитмени (2) 90 градуска бурап, аккумулятор батареясын (1) чыгарып алыңыз.

## Аккумулятор батареясын кубаттандыруу

Шайманды биринчи иштетүүнүн алдында же көпкө чейин иштетпегенден кийин аккумулятор батареясын (1) 4 сааттын ичинде кубаттандыруу зарыл.

Толук кубаттандырган аккумулятор батареясы (1) чаң соргучту максималдуу кубаттуулугу менен 20 минутага жакын, төмөн кубаттуулугу менен 35-40 минутага жакын үзгүлтүксүз иштетүүгө жетишет.

- Жерге коюучу түпкүчүн (20) кураштырып алыңыз, ал үчүн тик тирөөчүн (19) жерге коюлуучу түпкүчүнө (20) бекитмеси бекитилгенине чейин орнотуңуз (сүрөт 2).
- Желе адаптердин сайгычын (22) чуңкуруна (21) сайыңыз, желе адаптерин (23) электр тармагынын розеткасына сайыңыз (сүрөт 3).
- Чаң соргучту кубаттандырууга коюңуз (сүрөт 4), ошондо иштөө/кубаттандыруу индикатору (7) күйөт.
- Аккумулятор батареянын (1) индикатордун (7) бардыгы сегменттери жашыл болуп күйөт.

## Эскертүү:

- Желе адаптердин (23) шнурунун узундугун жерге коюлуучу түпкүчүнүн (20) сатынкы

жагына түрүп жөнгө салсаңыз болот (сүрөт 5).

- Аккумулятор батареясын (1) +5°C - +35°C температурасында кубаттандырыңыз.
- Шайманды бир ай же андан көп иштетпей турсаңыз, шайманды иштетүүнүн алдында аккумулятор батареясын (1) толугу менен кубаттандырып алыңыз.

## Узарткыч түтүгүн жана насадкаларын кураштыруу

- Узарткыч түтүгүн (13) чаң соргучтун аба алуучу тешигине бекитмеси (11) тырс этүүсүнө чейин киргизиңиз (сүрөт 6).
- Керектүү насадкасын – электр щеткасын (16), бириктирилген насадкасын (32) же жылчык насадкасын (33) – таңдап, узартуучу түтүгүнө (13) орнотуп алыңыз (сүрөт 6).

### Эскертүү:

- Керек болгондо, электр щеткасын (16), бириктирилген насадкасын (32) же жылчык насадкасын (33) аба алуучу тешигине узарткыч түтүксүз туташтырсаңыз болот (13) (сүрөт 7).

## Электр щеткасы (16)

Электр щеткасын (16) жер таманды, орточо же кыска түгү бар килемдерди тазалоо үчүн колдонуңуз, электр щеткасы (16) жаныбарлардын жүнүн килемдерден жыйнаганга эң жакшы жарайт. Тегерек щеткасы щетканын ичиндеги электр мотордун жардамы менен айланып, щетканын кылдары эффективдүү түрдө килемдин түктөрүнөн жаныбарлардын жүнүн «тарап» чыгарып, шыпырындыны «шыпырып» чыгарат. Щетка иштеп турганда жарыгы (17) күйөт.

### Эскертүү:

- Килемдердин түгү 15 миллиметрден узун болсо электр щеткасын (16) колдонууга тыюу салынат.
- Щетканы (16) электр шнурлардын үстүнөн өткөзбөңүз.
- Щетканын (16) жардамы менен имаратты жыйнап бүткөндөн кийин чаң соргучту токтоосуз өчүрүп туруңуз.

## Бириктирилген насадкасы (32)

Насадка (32) жумшак эмеректин капталысынан же түрсүз беттерден чанды же кирди кетириүүгө арналган, ал эми түгү жылмаланган эмеректин бетин бузууга жол бербейт.

Түрсүз беттерди тазалоо үчүн щетканы бекиткенине чейин астыга жылдырыңыз (сүрөт 8).

## Жылчык насадкасы (33)

Насадка (33) радиаторлорду, жылчыктарды, бурчтарды жана дивандардын жаздыктардын арасын тазалоо үчүн арналган.

- Насадкаларын (32, 33) жерге коюлуучу түпкүчтүн (20) үстүндө ыңгайлуу сактоо үчүн алардын сактоо жерлери каралган (сүрөт 9).

## ЧАК СОРГУЧТУ КОЛДОНУУ

**Көңүл буруңуз! Чаң соргучту чаң топтогуч контейнери (9) анын ичиндеги HEPA-чыпкасы (31) орнотулганда гана иштетсеңиз болот. Чаң топтогуч контейнери (9) туура кураштырылып, туура орнотулганын милдеттүү түрдө текшерип туруңуз.**

- Ыңгайлуулук үчүн чаң соргучту сактоо убагында же аккумулятор батареясын (1) кубаттандыруу убагында жерге коюлуучу түпкүчтүн (20) колдонуңуз. Электр щеткасын тик тирөөчүндөгү (19) коюучу жайына орнотсоңуз болот, ал үчүн узарткыч түтүгүндөгү (13) тирөөч кронштейнин (15) тик тирөөчүндөгү (19) жарыгына киргизиңиз (сүрөт 10).
- Чаң соргучту иштеткен убакытта жана көтөрүп ташуу үчүн аны туткасынан (3) кармаңыз.
- Чаң соргучту иштетүү үчүн иштетүү баскычын (4) басып кармап туруңуз, ошондо иштөө/кубаттандыруу индикатору (7) жашыл болуп күйөт.
- Чаң соргуч иштеп турган убагында сиз башкаруу панелиндеги (5) баскычын (8) басып, чаң соргучтун иштөө режимдерин таңдасаңыз болот. Чаң соргучтун эки иштөө режимі бар:
  - чаң соргуч максималдуу кубаттуулугу менен иштегенде аккумулятор батареясы (1) 20 минут мөөнөтүндө үзгүлтүксүз иштегенине жетишет;
  - төмөн кубаттуулугу менен иштегенде иштөө мөөнөтү 35-40 минутага жакын болот.

### Эскертүү:

- Чаң соргуч иштеп турган кезинде индикатору (7) (башкаруу панели (5)) аккумулятор батареясынын абалын көрсөтөт.
- Аккумулятор батареясынын кубаты азайганда иштөө/кубаттандыруу индикаторунда (7) күйүп турган жашыл сегменттердин саны азайып турат.
- Аккумулятор батареясынын (1) кубаты аз болсо, иштөө/кубаттандыруу индикаторунда

# КЫРГЫЗ

- (7) биринчи сегменти жашыл болуп үлпүлдөп турат. Ушул кезде иштетүүнү токтотуп, чаң соргучту түпкүчүнө (20) коюп аккумулятор батареясын кубаттандыруу зарыл.
- Аккумулятор батареясынын болгон кубаты түгөөндө, иштөө баскычын (4) басып турганда индикаторунда (7) болгон сегменттери үч жолу күйүп-өчүп туруп, андан кийин индикатор (7) өчүп калат. Ошол учурда аккумулятор батареясынын (1) толук кубаттандыруу циклин жасоо зарыл.
  - Чаң соргучту көтөрүп ташуу үчүн туткасынан (3) кармаңыз.

## ТАЗАЛОО ЖАНА КАРОО

- Чаң топтогуч контейнеринен (9) чаңды жана шыпырындыны ар иштетүүдөн кийин төгүп туруңуз, контейнерди (9), сепараторду (28) жана НЕРА-чыпкасын (31) мезгилдүү түрдө тазалап туруңуз.
- Шайманды узарткыч түтүгү (13) менен колдонсоңуз, чаң топтогуч контейнеринен (9) чаң менен шыпырындыны төккөндөн мурун бекитме баскычын (11) басып, узарткыч түтүгүн (13) чечип салуу жакшы болот.
  - Чаң менен шыпырындыны төгүү үчүн чаң топтогуч контейнерин (9) таштанды чакасынын үстүндө кармап, капкагынын бекитме баскычын (10) басып, шыпырындыны төгүп, бекитме баскычы (10) бекитилгенине чейин капкагын жабыңыз (сүрөт 11).

## Чаң топтогуч контейнерин (9) тазалоо (сүрөт 13)

- Чаң топтогуч контейнерин (9) чечүүдөн мурун жогоруда айтылгандай анын ичинен чаң менен шыпырындыны төгүп алыңыз.
- Чаң топтогуч контейнерин (9) кармап, бекитме баскычын (6) басып, чаң топтогуч контейнерин (9) чечип алыңыз (сүрөт 12).
- НЕРА-чыпкасындагы (31) чыгып турган жерин тартып, НЕРА-чыпкасын кармагычынан (30) чыгарып алыңыз (сүрөт 13.1)
- НЕРА-чыпкасынын кармагычын (30) саат жебесинин багытына каршы бурап чечип алыңыз (сүрөт 13.2).
- Чаң топтогуч контейнердин (9) ичиндеги сепараторду (28) чечилме бөлүгү (29) менен чаң топтогуч контейнеринен (9) тартып чыгарып алыңыз (сүрөт 13.3).
- Сепаратору (28) менен НЕРА-чыпкасын (31) чаң менен шыпырындыдан тазалап алыңыз, ал үчүн насадкасын (32) колдонсоңуз болот (сүрөт 14).

- Сепаратордун чечилме бөлүгүн (29) саат жебесинин багытына каршы бурап салыңыз (сүрөт 13.4).
- Чаң топтогуч контейнерин (9), чечилме бөлүктөрүнүн барсын (28, 29, 30) жана НЕРА-чыпкасын (31) агып турган суунун астында жууп салыңыз. Чечилме бөлүктөрүн тазалоо үчүн идиш жуугуч аспабын колдонбоңуз (сүрөт 15).

## Эскертүү:

- Кураштыруу жана орнотуудан мурун чаң топтогуч контейнерин (9), чечилме бөлүктөрүн (28, 29, 30) жана НЕРА-чыпкасын (31) кылдаттык менен кургатып алыңыз (сүрөт 16).
- Чечилме бөлүктөрүн кургатуу үчүн ысытуучу аспаптарды, анын ичинде фенди дагы колдонууга тыюу салынат.
- Чаң топтогуч контейнерин (9) кураштыруу жана өз жайына орнотуудан мурун чечилме бөлүктөрүнүн бардыгы таза жана кургак болгонун текшерип алыңыз.

## Чаң топтогуч контейнерин (9) кураштыруу

- Сепаратордогу (28) жана сепаратордун чечилме бөлүгүндөгү (29) белгилерди дал келтирип, чечилме бөлүгүн (29) саат жебесинин багыты боюнча токтогонуна чейин бураңыз.
- Сепараторду (28) чечилме бөлүгү (29) менен чечилме бөлүгүндөгү (29) чыгып турган жерлерин чаң топтогуч контейнердин (9) ички жагындагы жарыктарына дал келтирип чаң топтогуч контейнердин (9) ичине салыңыз.
- Белгилерин дал келтирип, НЕРА-чыпкасынын (30) кармагычын чаң топтогуч контейнердин (9) ичине салып, аны саат жебесинин багыты боюнча токтогонуна чайин бурап салыңыз.
- НЕРА-чыпкасындагы (31) жарыгын чыпканын кармагычындагы (30) чыгып турган жери менен дал келтирип, НЕРА-чыпкасын (31) өз жерине орнотуңуз.
- НЕРА-чыпкасы (31) туура коюлуу үчүн анын орто жагын бир аз басып алыңыз.
- Чак топтогуч контейнерин (9) орнотуудан мурун чаң соргучтун аба алгычындагы тешиктери чоң болгон чыпкасы таза болгонун текшерип алыңыз, керек болсо, чыпканы тазалап алыңыз.
- Кураштырылган чаң топтогуч контейнерин (9) өз жайына орнотуңуз (сүрөт 12).

**Көңүл буруңуз!** Чаң топтогуч контейнери (9), сепаратору (28) жана НЕРА-чыпкасы (31) таза болгонун текшерип туруңуз, себеби

чаң соргучтун иштөө эффективдүүлүгү байланыштуу болот; чаң соргуч контейнерин (9), сепараторун (28) жана НЕРА-чыпкасын (31) мезгилдүү түрдө тазалап туруңуз.

### Электр щеткасын (16) тазалоо (сүрөт 17, 18)

Электр щеткасын (16) тазалыгын текшерип туруңуз, кирдеп калганда щетканы (16) ажыратып, тегерек щеткасын (26) тазалап туруңуз.

- Электр щетканын (16) бекитме баскычын (14) узарткыч түтүгүнөн (13) чечиңиз.
- Бекитмесин (24) жибеси багытына басыңыз (сүрөт 17).
- Бекитүүчү түйүнүн (25) бир четке алыңыз.
- Тегерек щеткасын (26) чыгарып, щетканын (26) үстүнө оролуп калган чач менен жиптерди алып салыңыз.
- Электр щетканын (16) корпусунун ички жана тышкы жагын чаң менен шыпырындыдан тазалап алыңыз.

### Электр щетканы (16) кураштыруу (сүрөт 18)

- Щетканын (26) оң жагын корпусуна киргизиңиз.
- Щетканын (26) сол жагын ордуна коюңуз.
- Бекитмесин (24) оң жака жылдырып, бекитүүчү түйүнүн (25) ылдый тартып, бекитмесин (24) жабыңыз.
- Тегерек щеткасы (26) бекем кармалганын текшерип алыңыз.

### Чаң соргучтун корпусун тазалоо

- Чаң соргучтун корпусу менен жерге коюлуучу түпкүчүн (20) бир аз нымдуу жумшак чүпүрөк менен сүртүп, андан кийин кургатып сүртүңүз.
- Чаң соргучтун корпусун, электр щеткасын (16) жана желе адаптерин (23) сууга же башка суюктуктарга салууга тыюу салынат. Чаң соргучтун корпусунун жана электр щеткасынын (16) ичине суюктуктар кирүүгө жол бербейиз.
- Чаң соргучтун корпусу менен болгон бөлүктөрүн тазалоо үчүн эриткичтерди жана абразивдүү жуучу каражаттарды колдонууга тыюу салынат.

### САКТОО

- Чаң соргучту узак убакытка сактоого алып салуудан мурун анын корпусун, чаң топтогуч

контейнерим (9) менен электр щеткасын (16) тазалап алыңыз.

- Ыңгайлуу сактоо үчүн жерге коюлуучу түпкүчүн (20) колдонуп, анын үстүнө насадкаларды (32, 33), чаң соргучту, узарткыч түтүгүн (13) электр щеткасы менен (16) орнотуңуз (сүрөт 10).
- Чаң соргучту көпкө чейин сактаганда, аккумулятор батареясын (1) чечип, түпкүчүн (20) ажыратып, бөлүктөрүнүн бардыгын таңагына салыңыз.
- Чаң соргучту балдар жетпеген кургак салкын жеринде сактаңыз.

### ЖАБДЫКТЫН ЖЫЙЫНТЫГЫ

1. Чаң соргуч (чаң топтогуч контейнери орнотулган) – 1 даана
2. Аккумулятор батареясы – 1 даана
3. Узарткыч түтүгү – 1 даана
4. Электр щеткасы – 1 даана
5. Жылчык насадкасы – 1 даана
6. Бириктирилген насадкасы – 1 даана
7. Колдонмо – 1 даана

### ТЕХНИКАЛЫК МҮНӨЗДӨМӨСҮ

Желе адаптери

Кубаттандыруу чыңалуусу: ~220-240 В~ 50 Гц

Иштетүү чыңалуусу:  23 В 600 мА

Максималдуу кубаттуулугу: 200 Вт

Соруу кубаттуулугу: 60 Вт

Чаң топтогучтун көлөмү: 0,35 л

Аккумулятор: 22,2 В, Li-Ion 2100 мА/с

*Өңдүрүүчү шаймандардын дизайнин жана техникалык мүнөздөмөлөрүн алдын ала билдирбей өзгөртүү укугун сактайт*

### Шаймандын кызмат мөөнөтү – 3 жыл

### Кепилдик

Кепилдик берүү шарттары тууралуу толук маалыматтар буюмду саткан сатуучудан алууга болот. Кепилдик шарттарына ылайык талап кылып сатылган товарга чек же дүмүрчөктү көрсөтүү керек.



**GB**

A production date of the item is indicated in the serial number on the technical data plate. A serial number is an eleven-unit number, with the first four figures indicating the production date. For example, serial number 0606xxxxxx means that the item was manufactured in June (the sixth month) 2006.

**RUS**

Дата производства изделия указана в серийном номере на табличке с техническими данными. Серийный номер представляет собой одиннадцатизначное число, первые четыре цифры которого обозначают дату производства. Например, серийный номер 0606xxxxxx означает, что изделие было произведено в июне (шестой месяц) 2006 года.

**KZ**

Бұйымның шығарылған мерзімі техникалық деректері бар кестедегі сериялық нөмірде көрсетілген. Сериялық нөмір он бір саннан тұрады, оның бірінші төрт саны шығару мерзімін білдіреді. Мысалы, сериялық нөмір 0606xxxxxx болса, бұл бұйым 2006 жылдың маусым айында (алтыншы ай) жасалғанын білдіреді.

**UA**

Дата виробництва виробу вказана в серійному номері на табличці з технічними даними. Серійний номер представляє собою одинадцятизначне число, перші чотири цифри якого означають дату виробництва. Наприклад, серійний номер 0606xxxxxx означає, що виріб був виготовлений в червні (шостий місяць) 2006 року.

**KG**

Буюм иштеп чыгарылган датасы сериялык номурунда техникалык маалыматтар жадыбалында көрсөтүлгөн. Сериялык номуру он бир орундуу сан болот, анын биринчи төрт саны өндүрүш датасын көрсөтөт. Мисалы, сериялык номуру 0606xxxxxx болгон буюм 2006 жылдын июнине (алтынчы айында) өндүрүлгөн.



ЗАПРЕЩЕНО УТИЛИЗИРОВАТЬ  
С БЫТОВЫМ МУСОРОМ.  
ОБРАТИТЕСЬ НА СООТВЕТСТВУЮЩИЙ  
ПУНКТ ПЕРЕРАБОТКИ ЭЛЕКТРИЧЕСКОГО  
И ЭЛЕКТРОННОГО ОБОРУДОВАНИЯ.