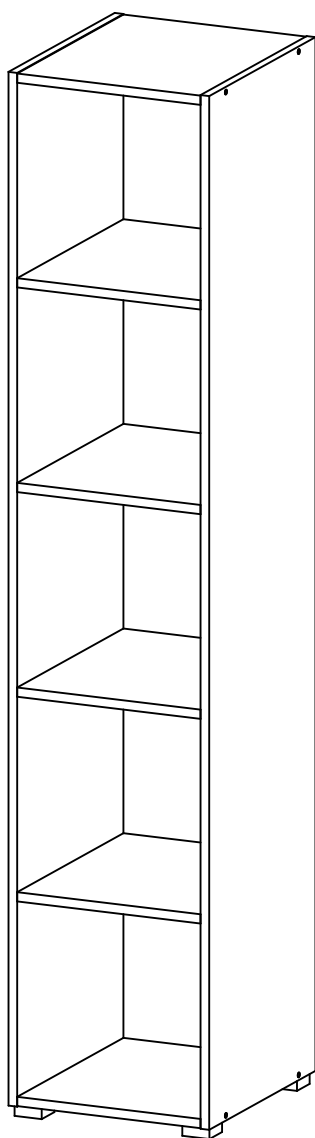
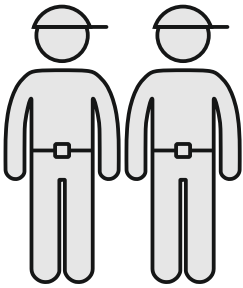


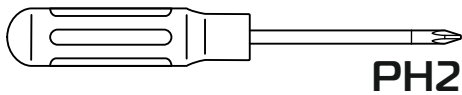
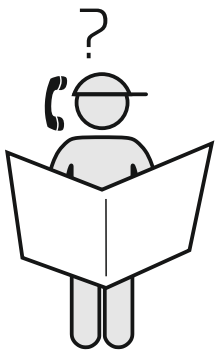
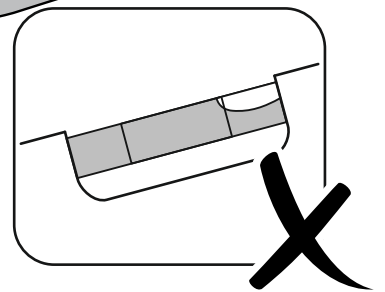
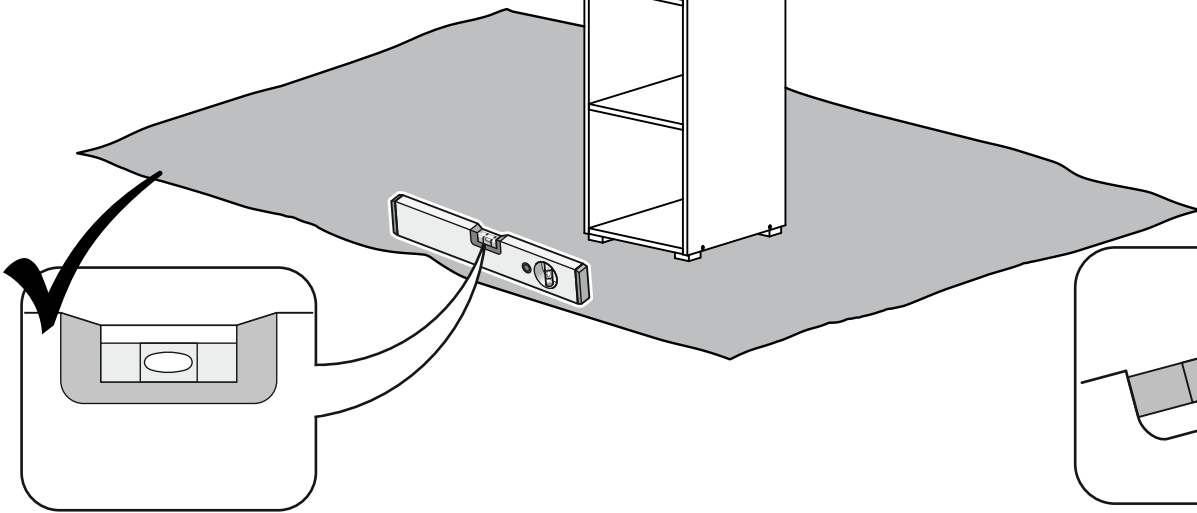
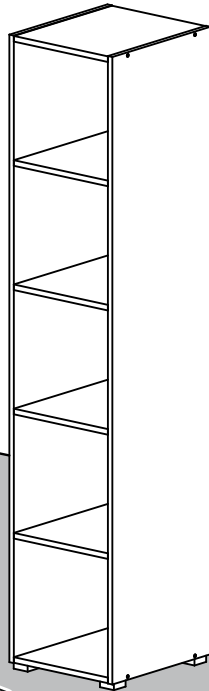
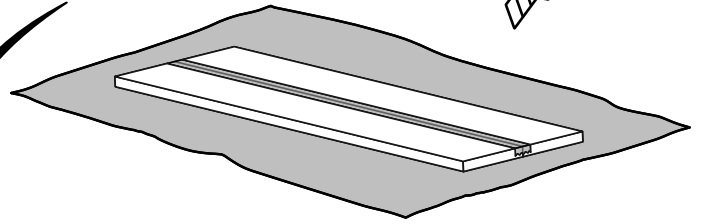
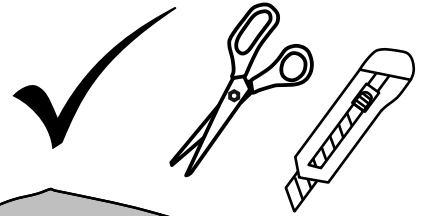
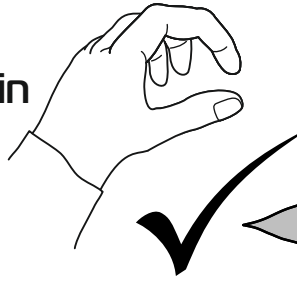
**ПРАЙМ-51**

**PRAIM-51**

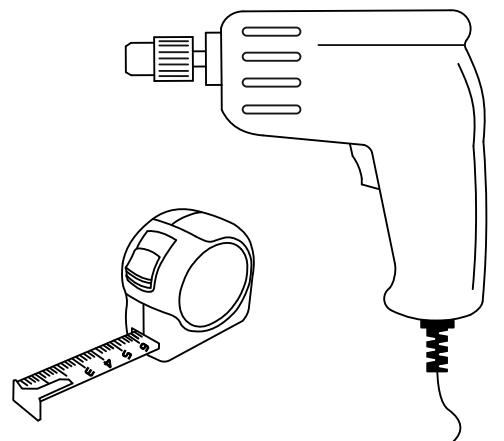
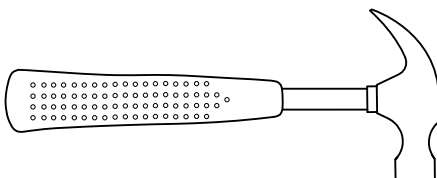


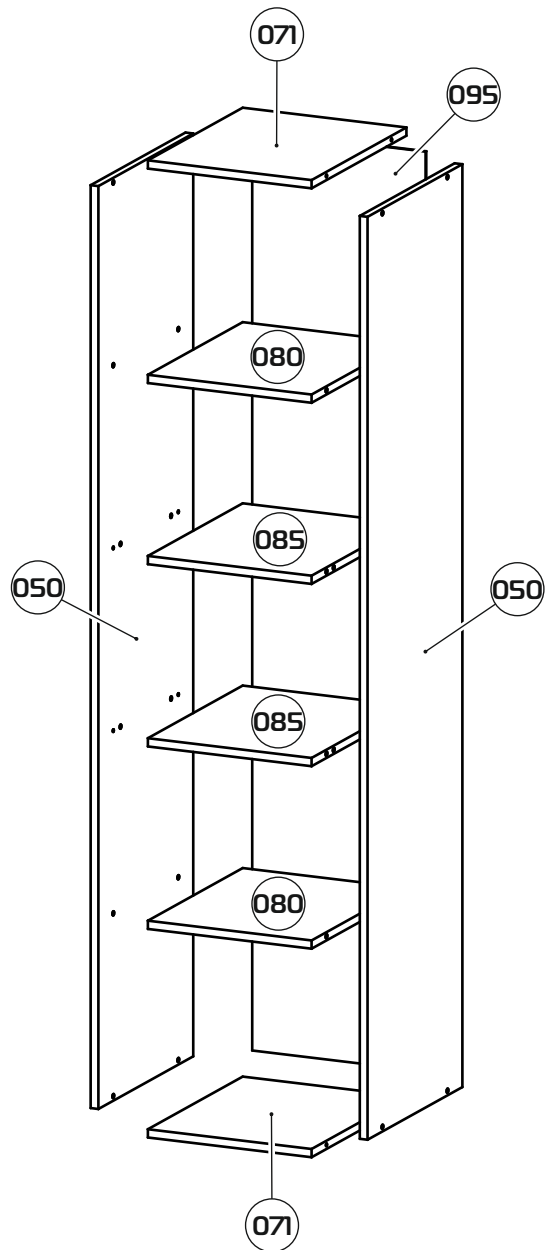


45-60 min



PH2





050 1788x420x16 (x2)

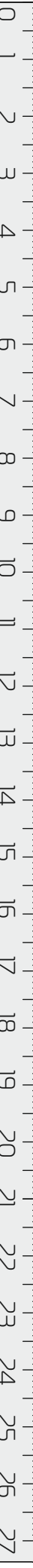
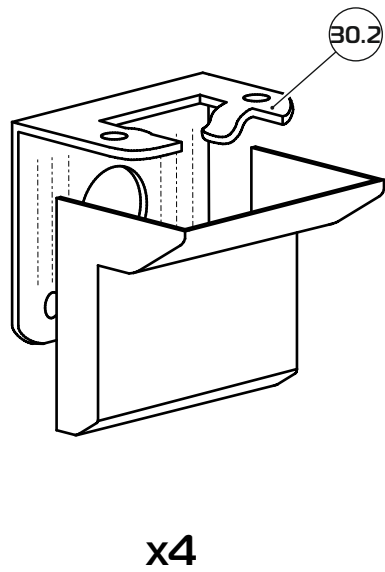
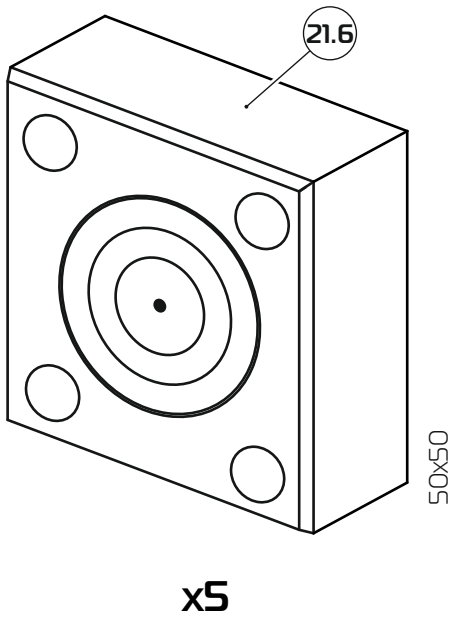
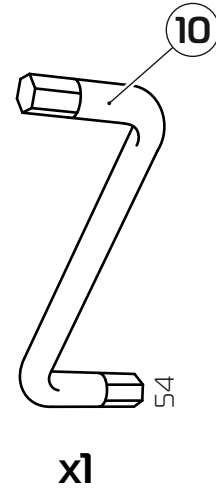
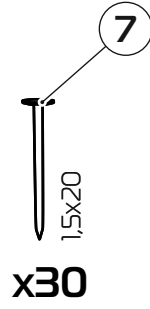
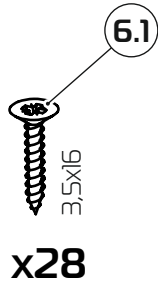
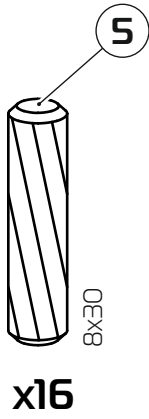
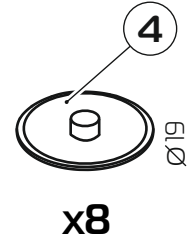
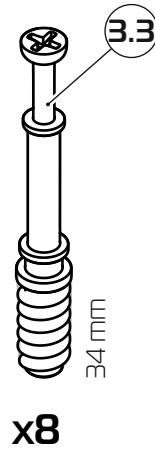
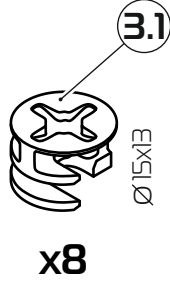
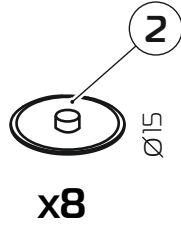
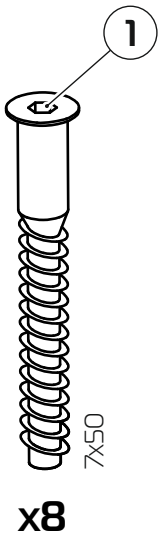
071 338x420x16 (x2)

080 338x420x16 (x2)

085 338x420x16 (x2)

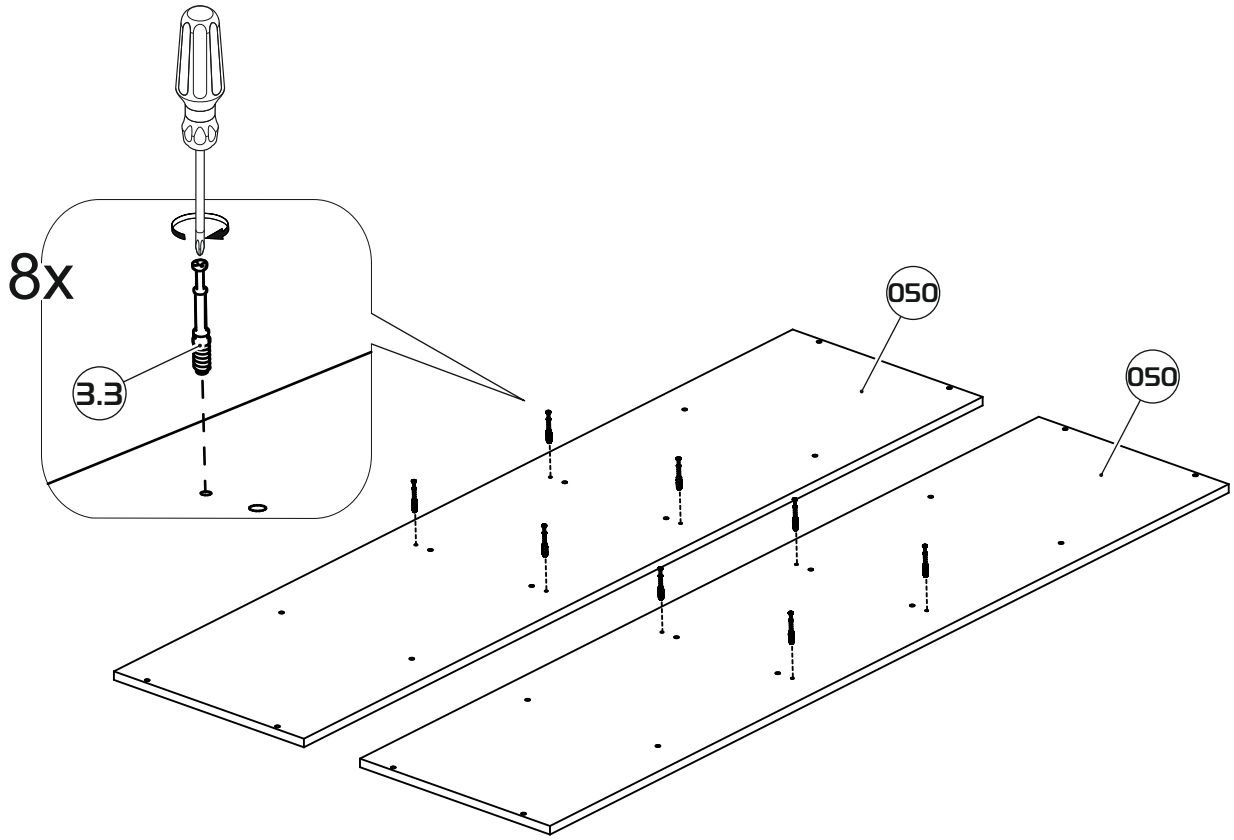
095 1782x358x3 (x1)

1:1

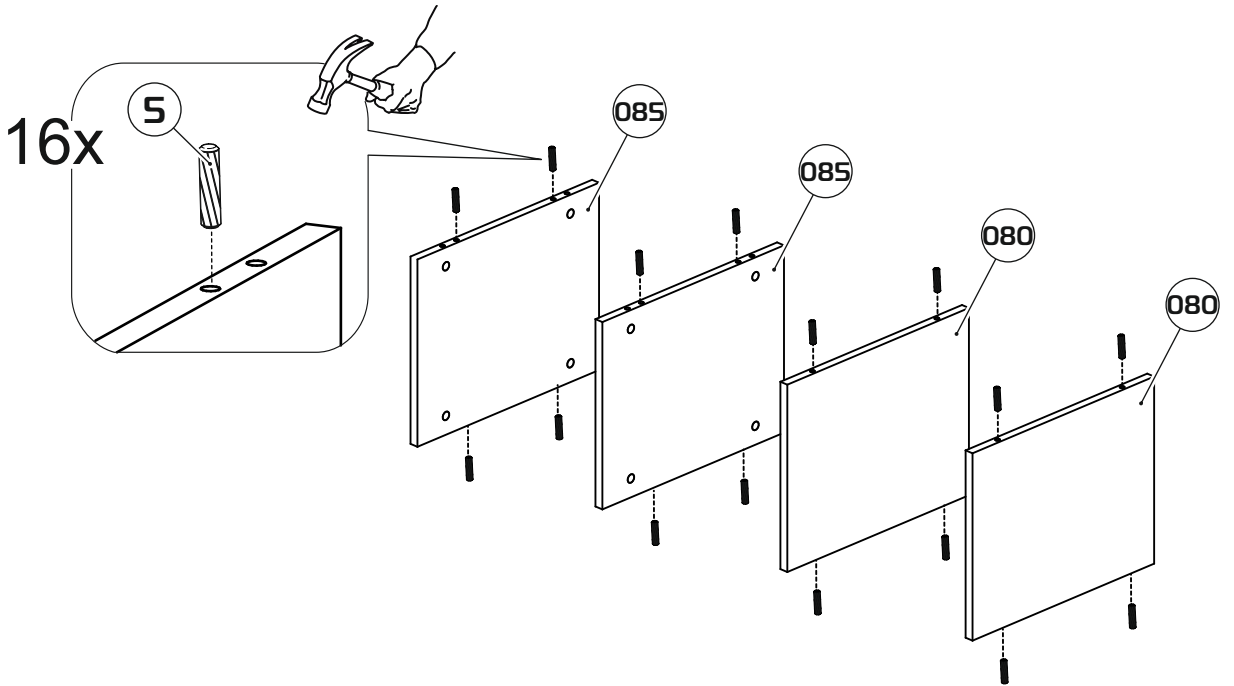




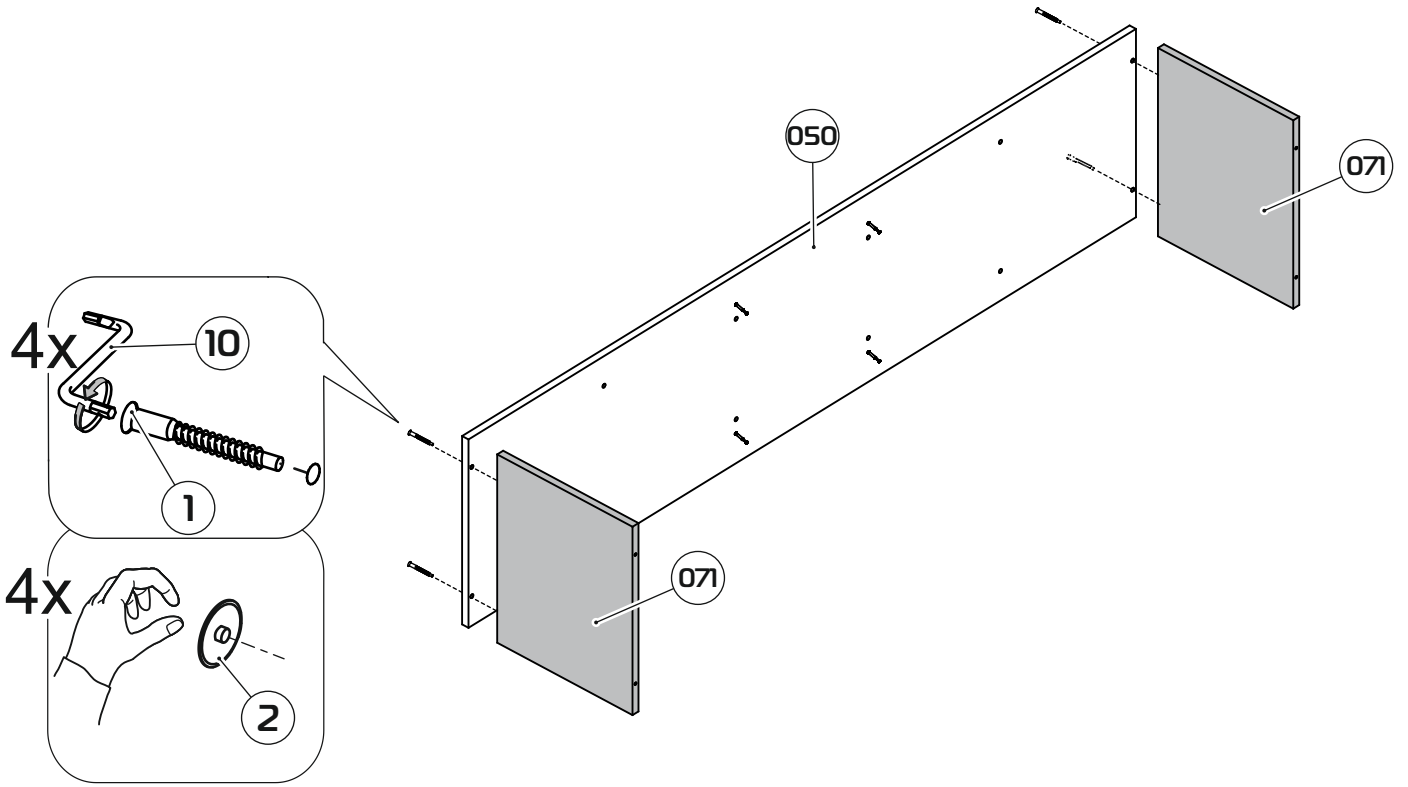
1



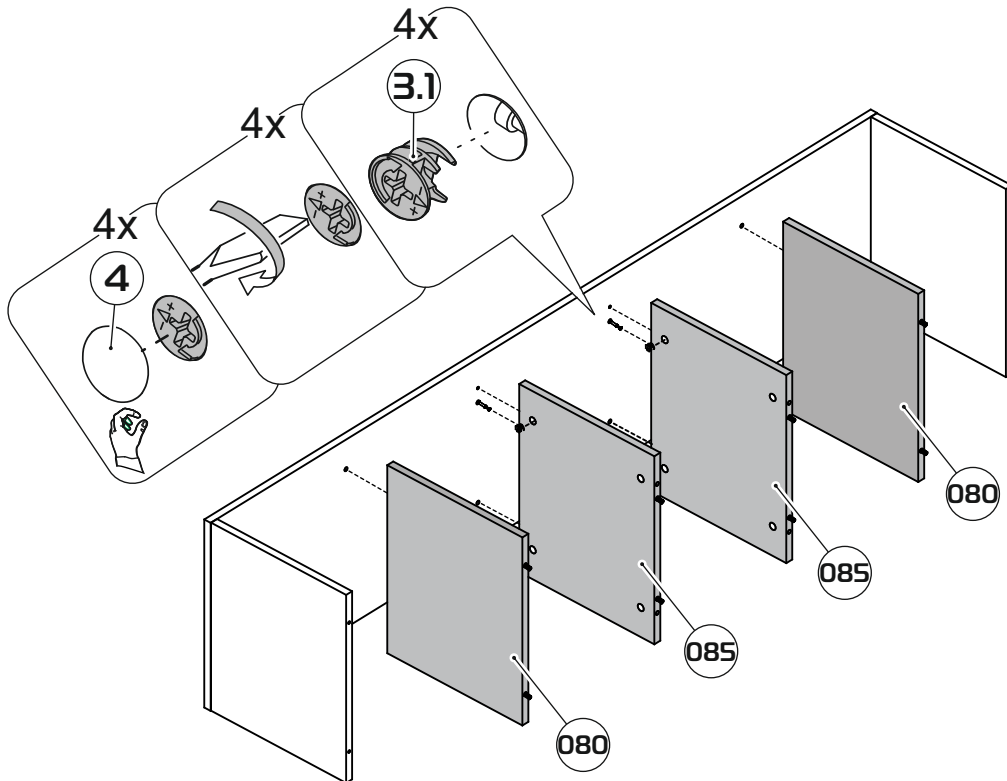
2



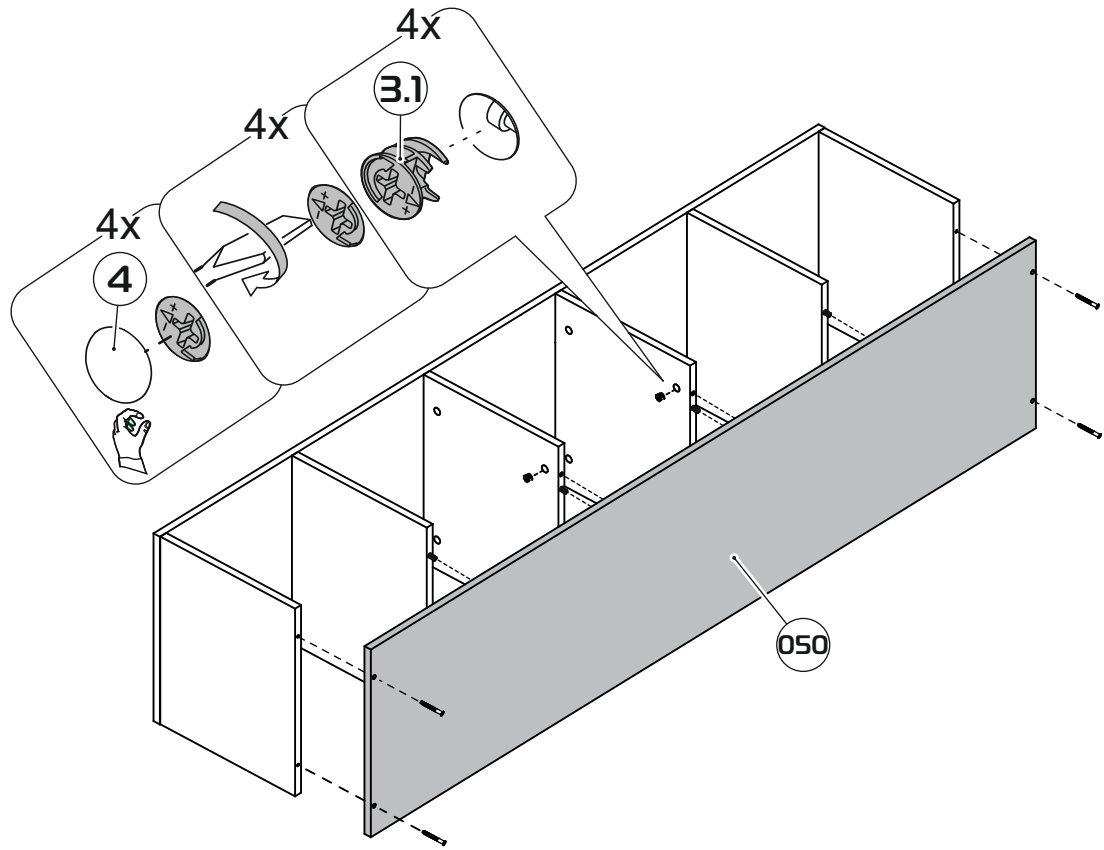
# 3



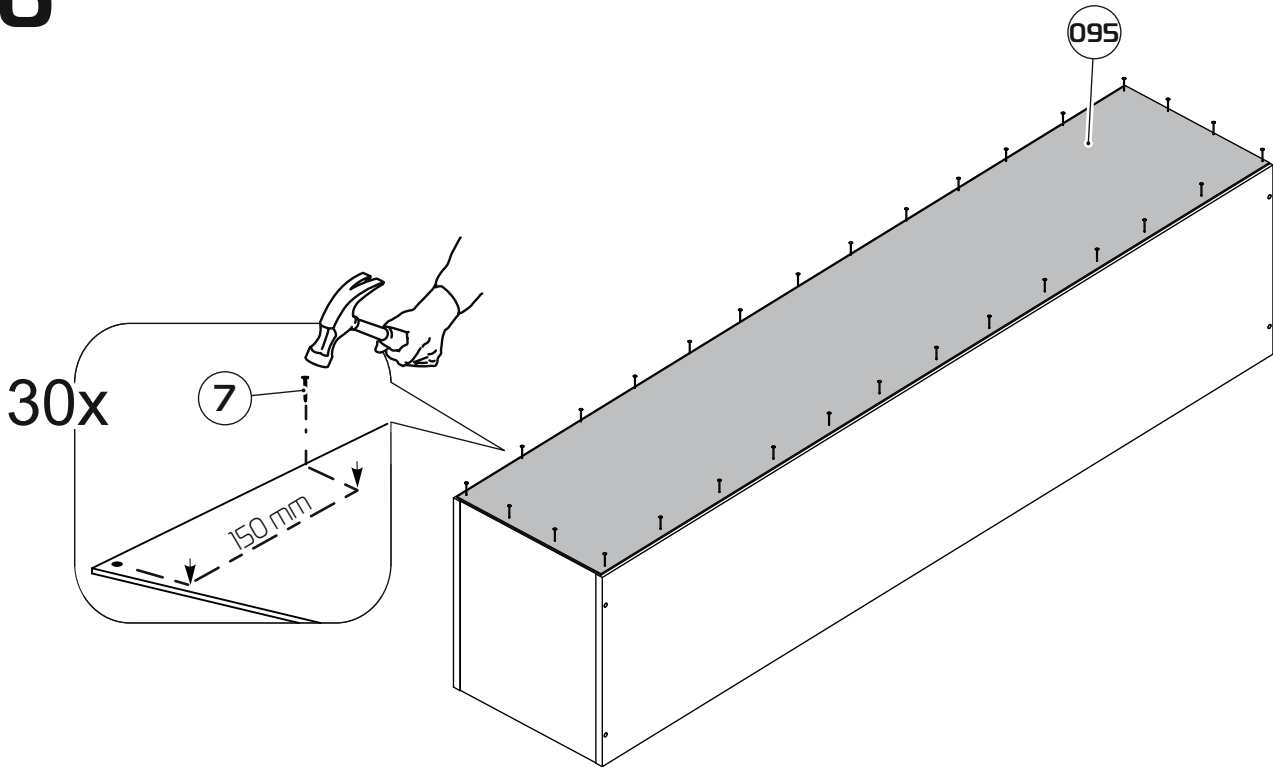
# 4



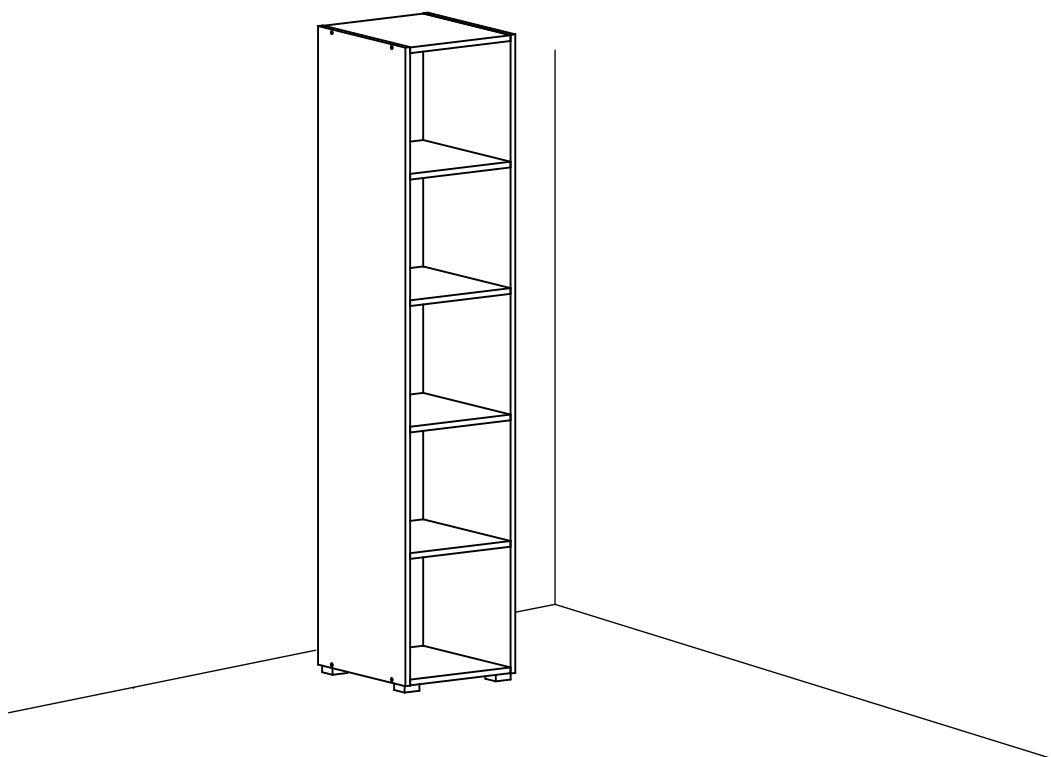
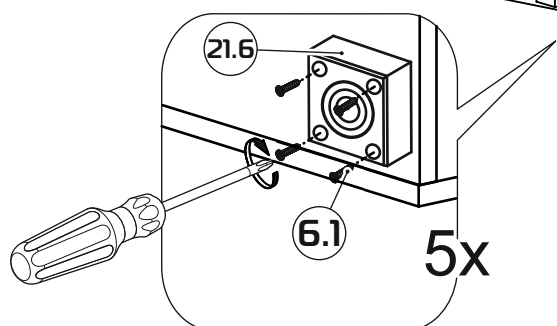
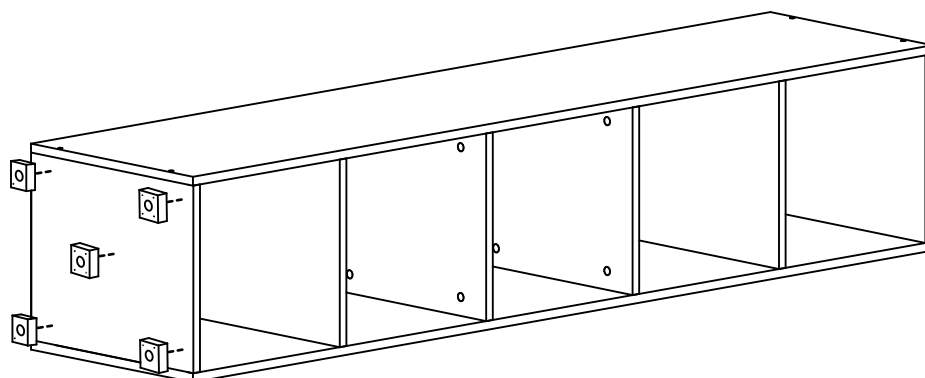
# 5



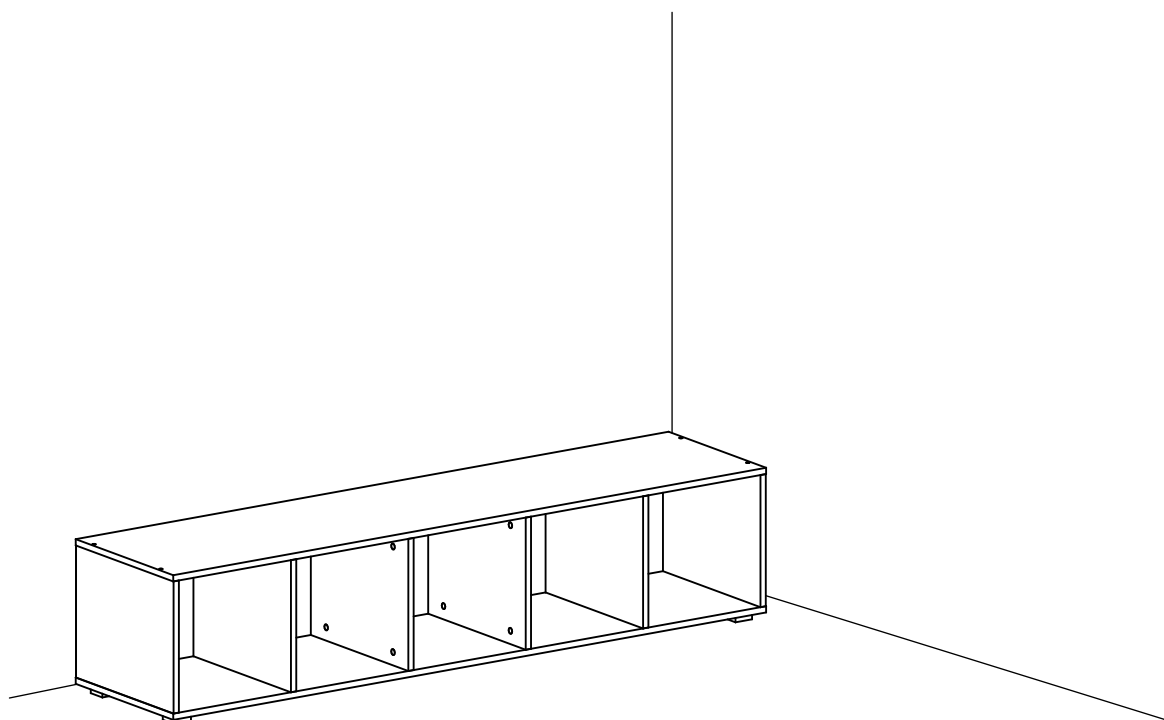
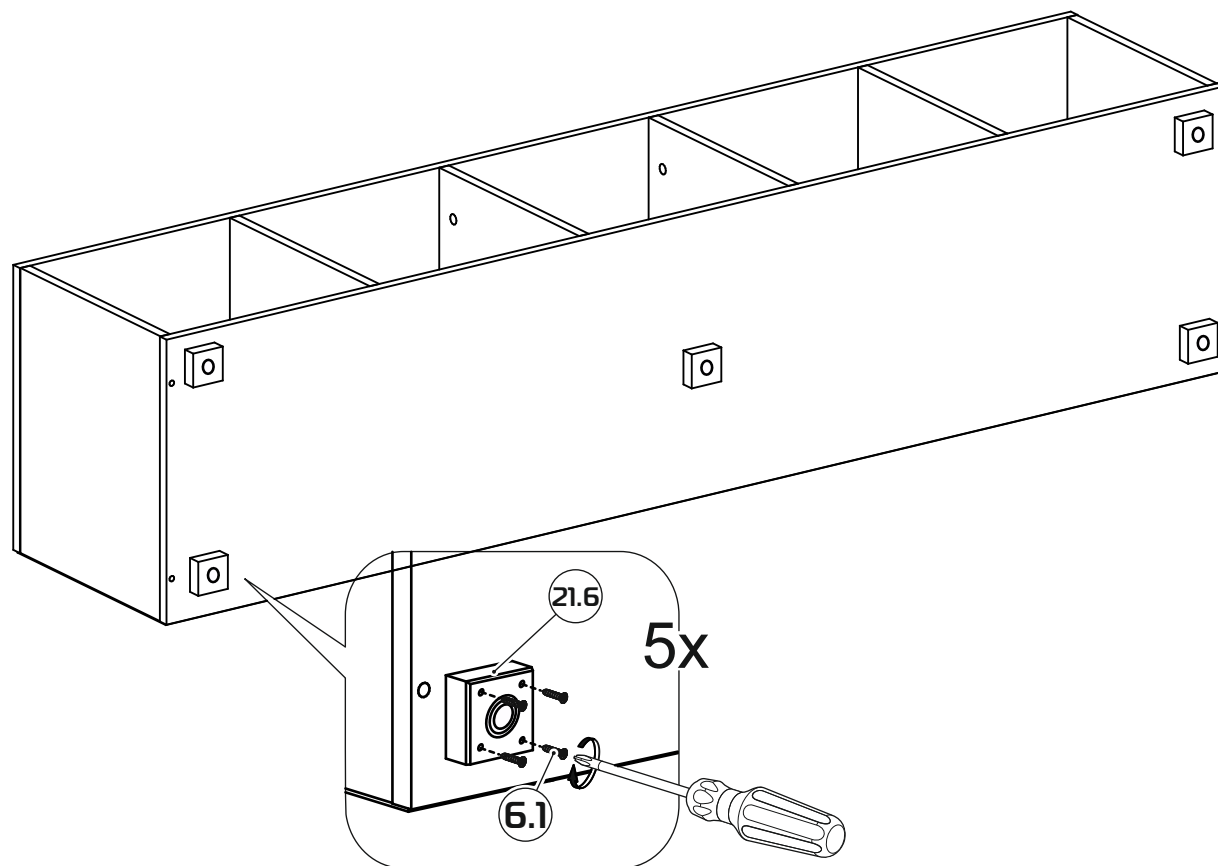
# 6



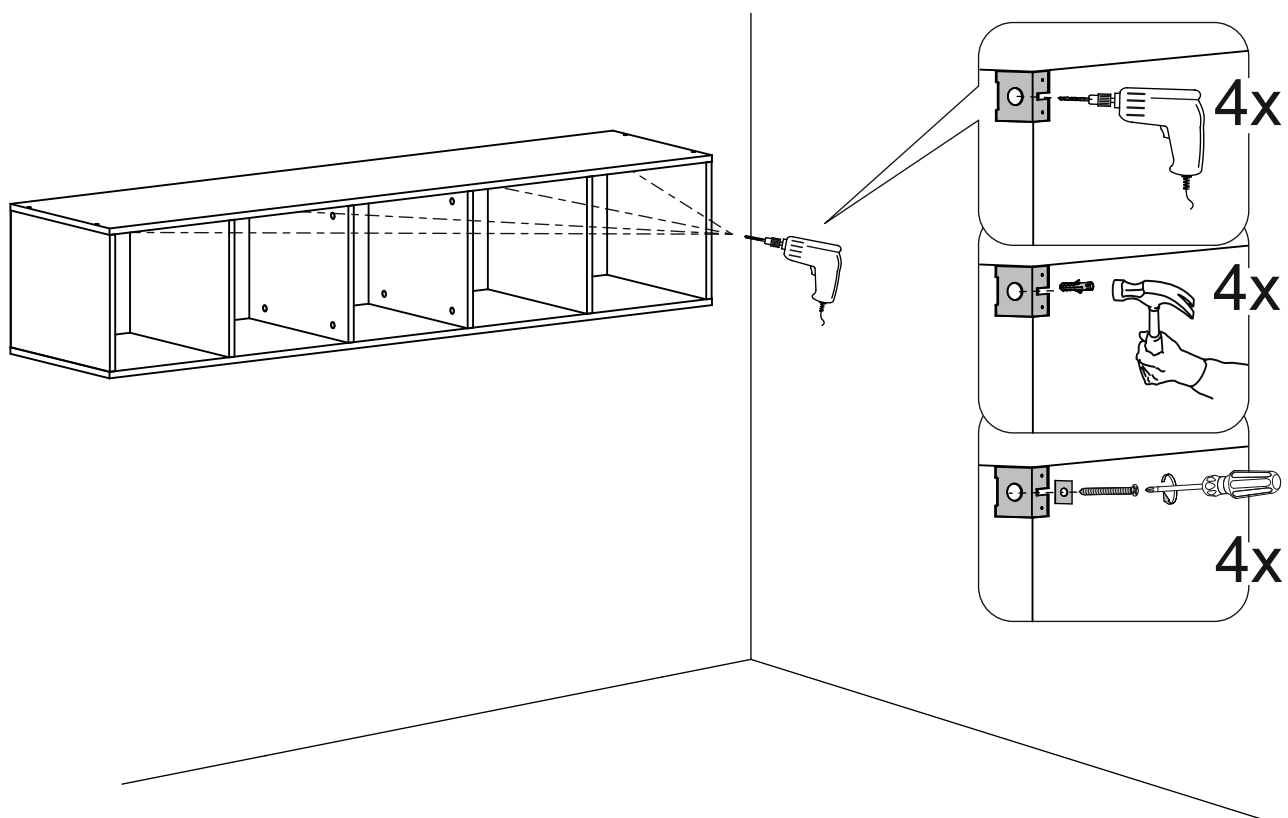
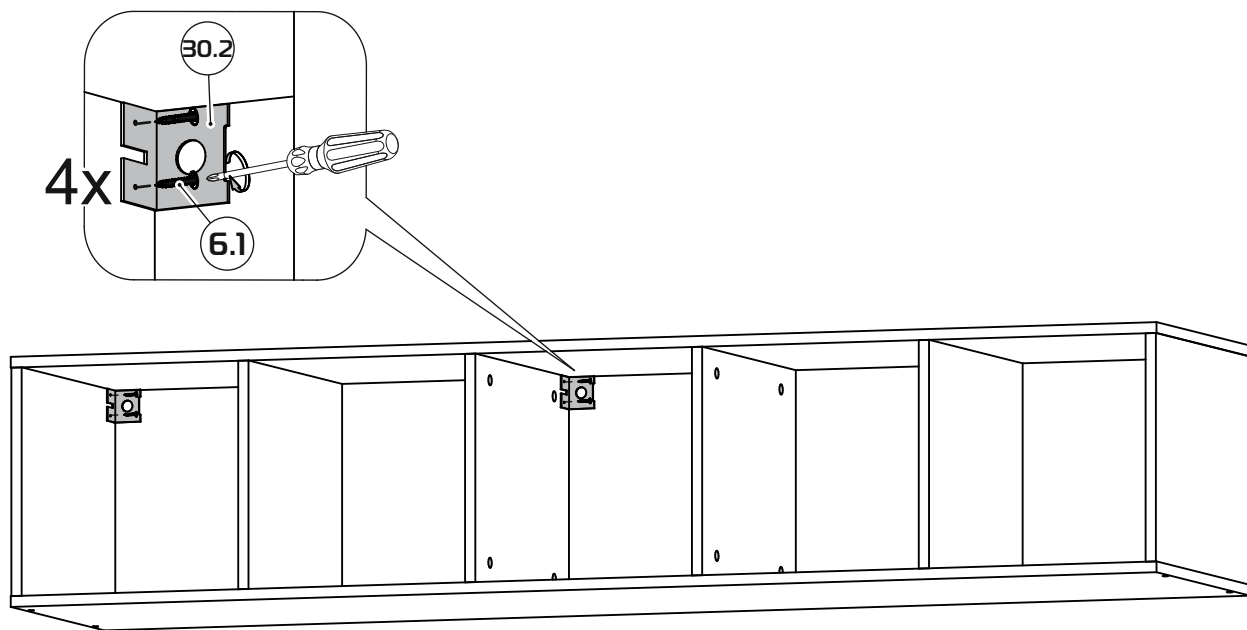
# 7"а" - стеллаж



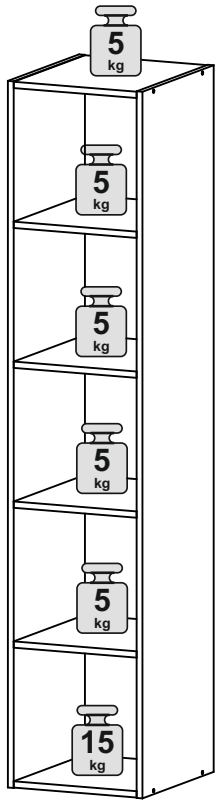
# 7"b" – тумба напольная



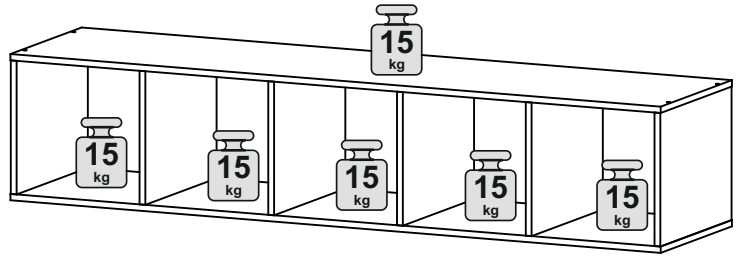
# 7"С" - полка навесная



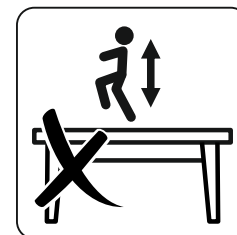
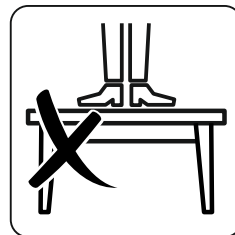
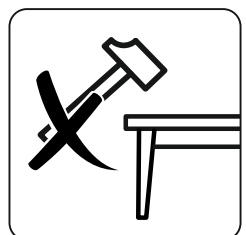
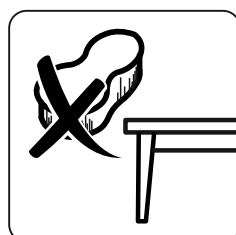
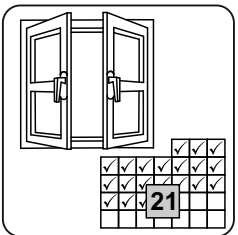
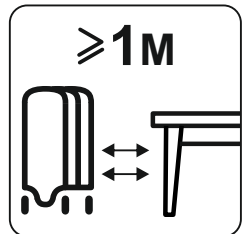
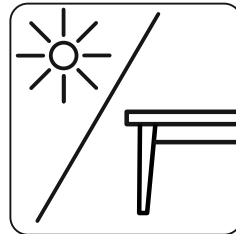
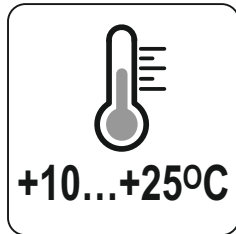
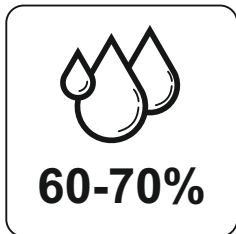
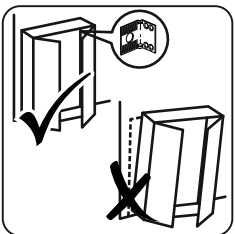
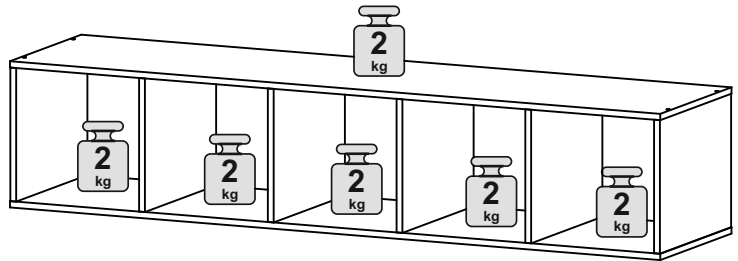
"a"



"b"

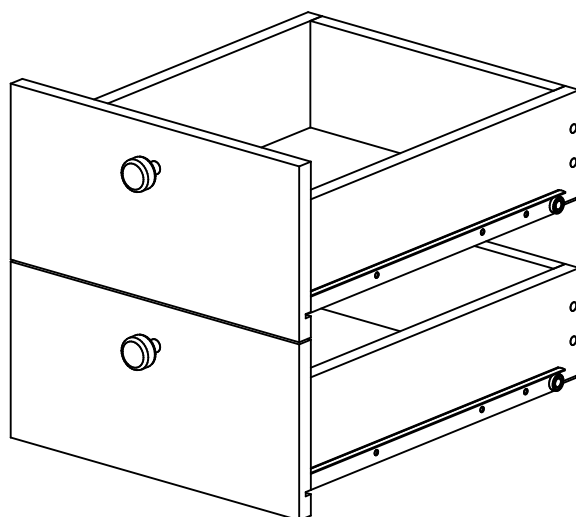


"c"

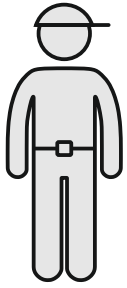


# ПРАЙМ

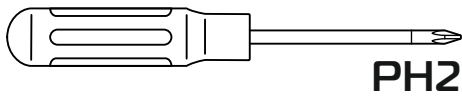
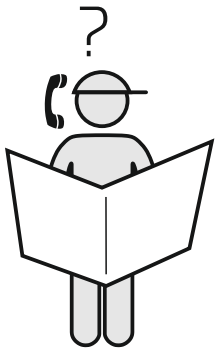
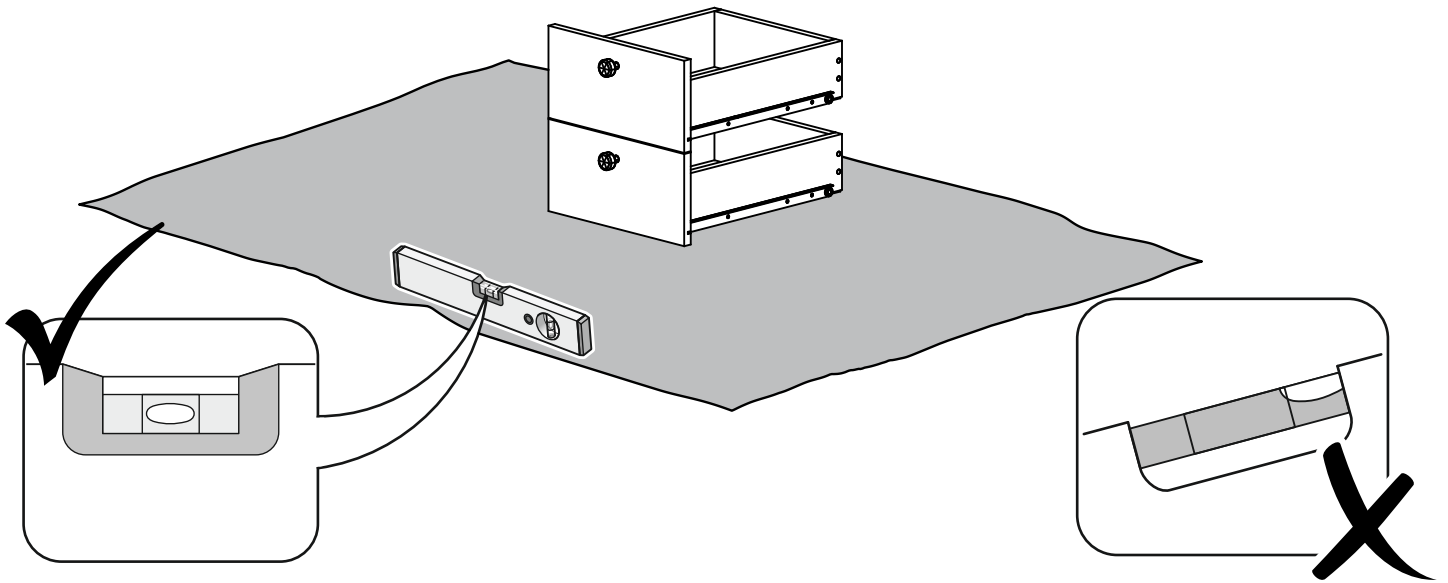
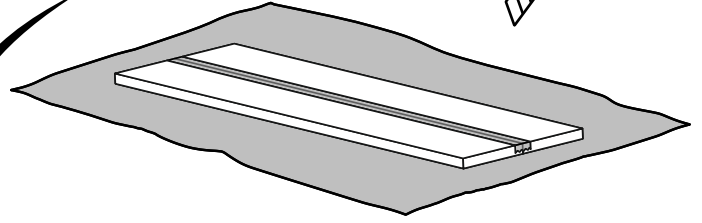
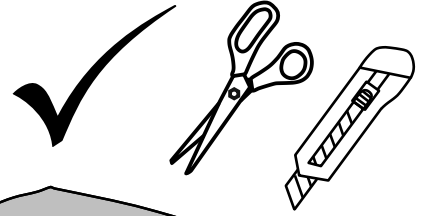
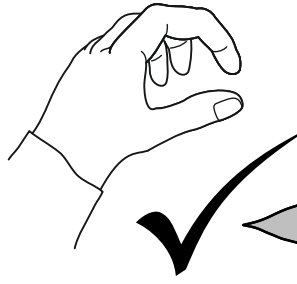
# PRAIM



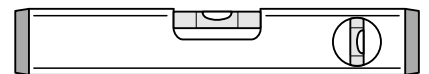
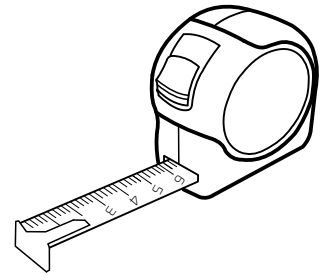
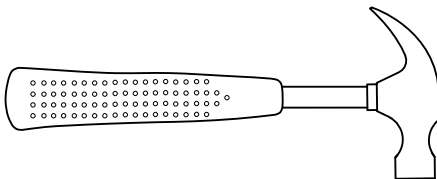


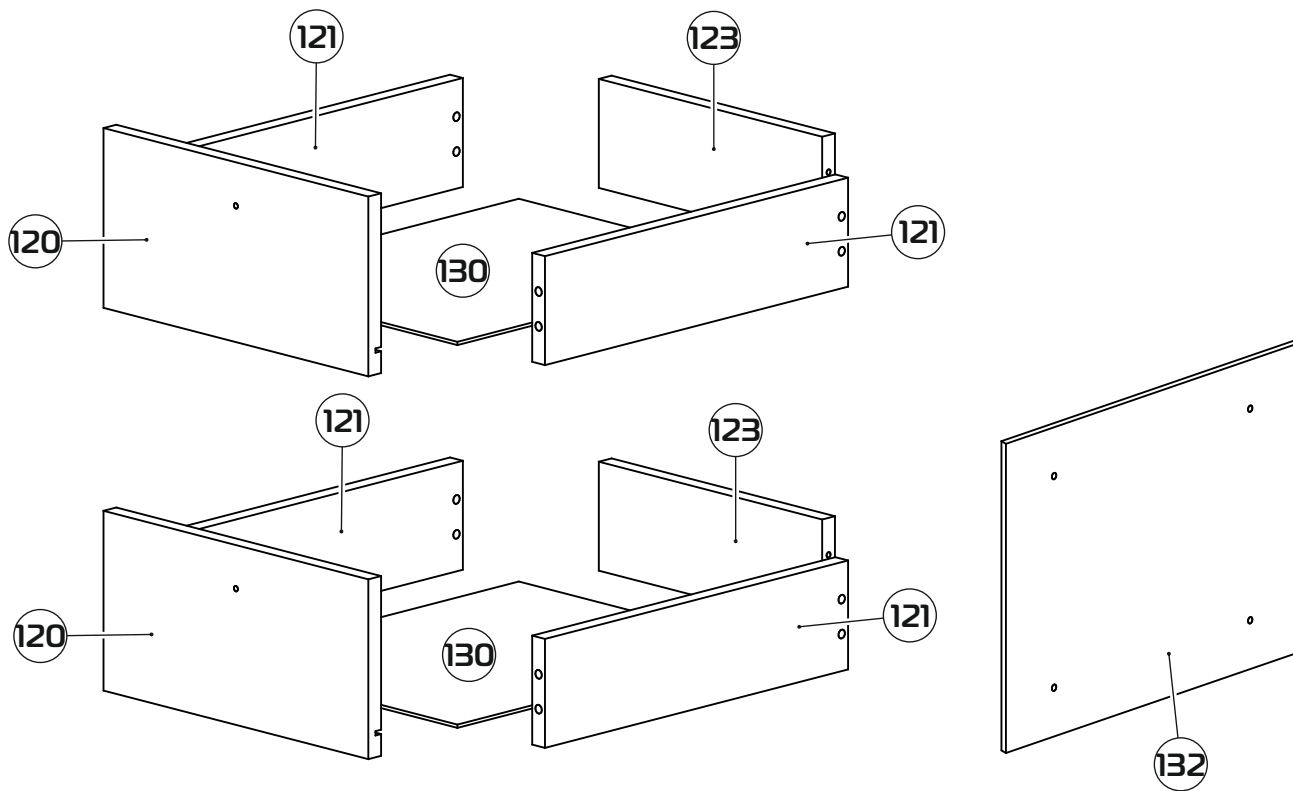


30-45 min



PH2





①20 332x165x16 (x2)

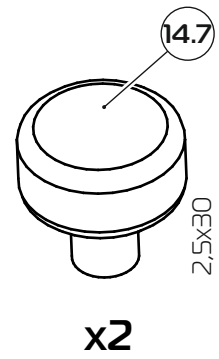
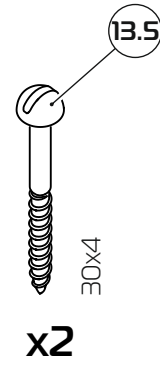
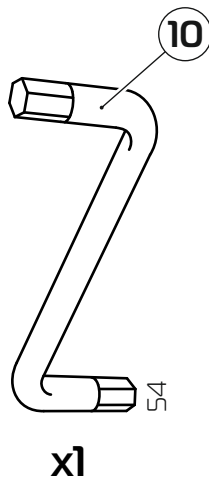
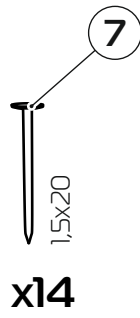
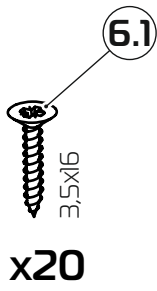
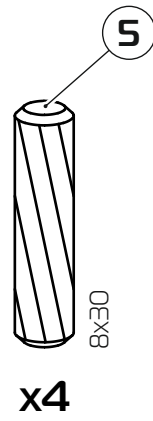
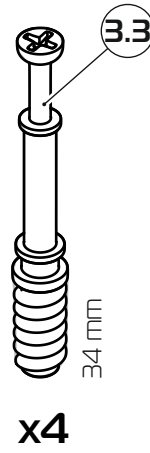
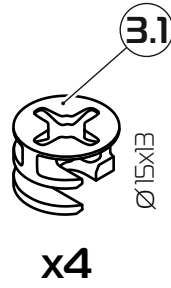
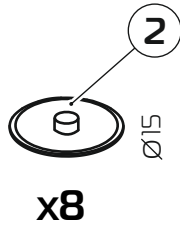
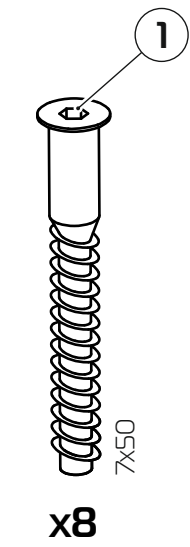
①21 380x100x16 (x4)

①23 280x100x16 (x2)

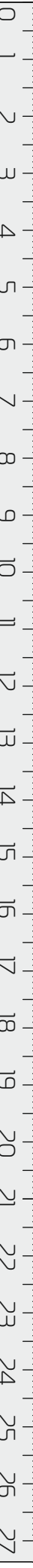
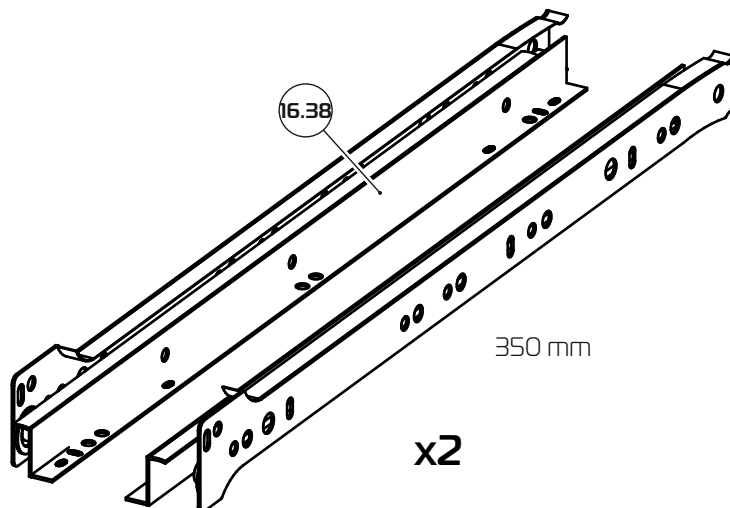
①30 308x385x3 (x2)

①32 334x244x3 (x1)

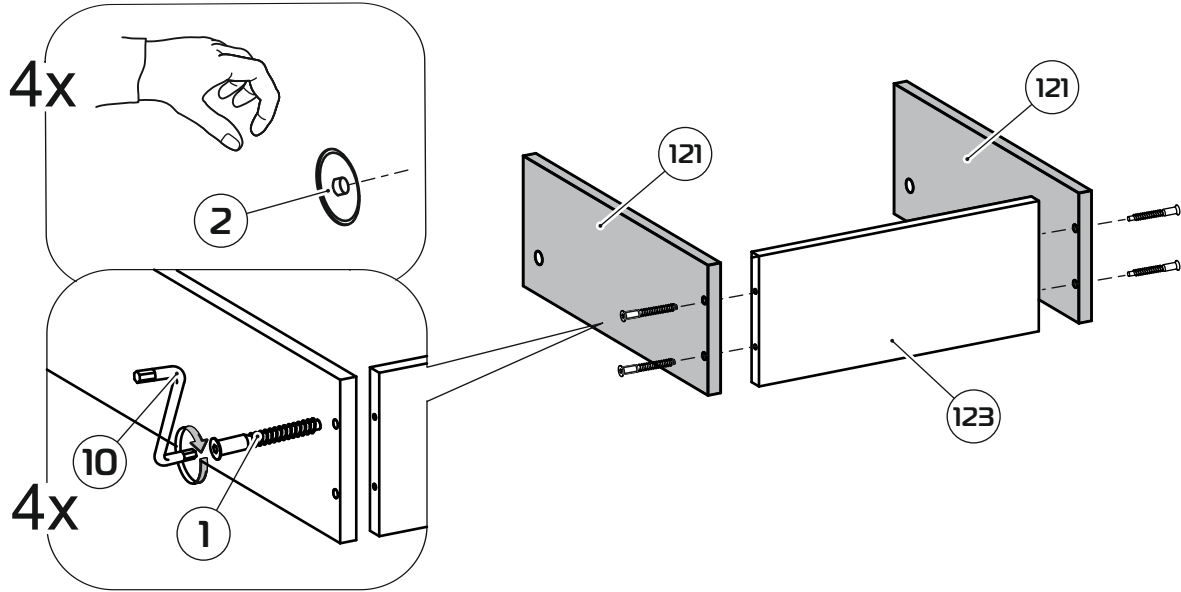
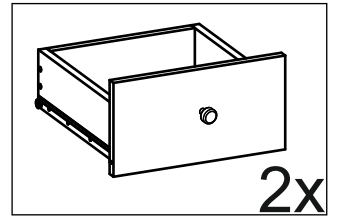
1:1



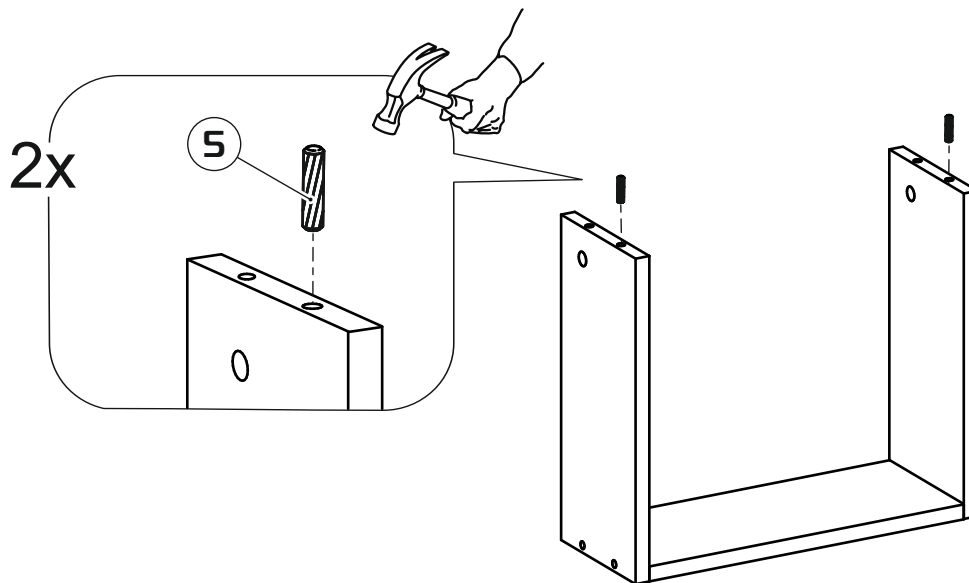
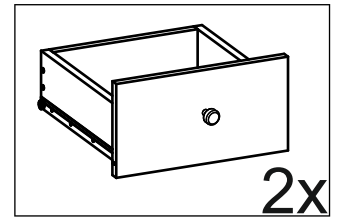
1:2



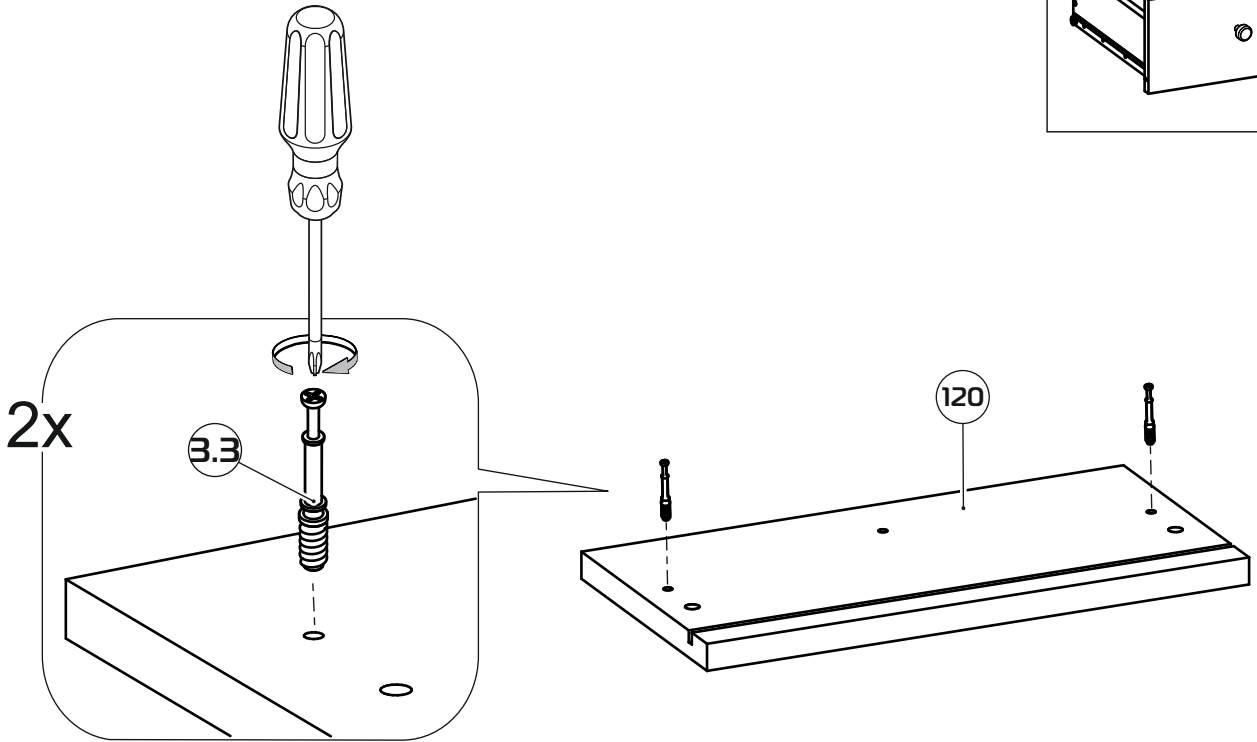
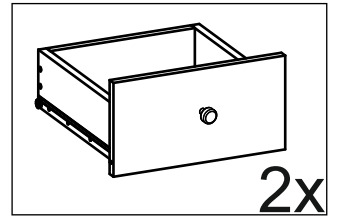
# 1



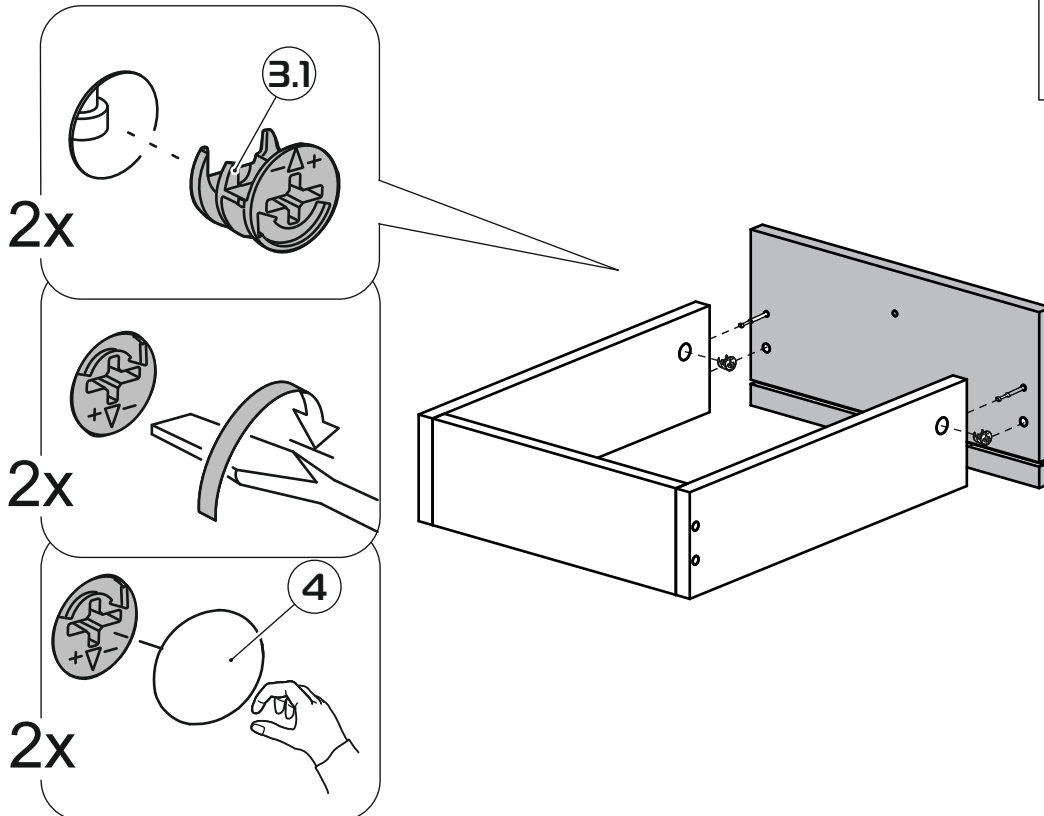
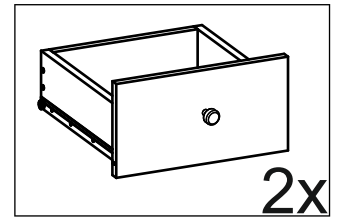
# 2



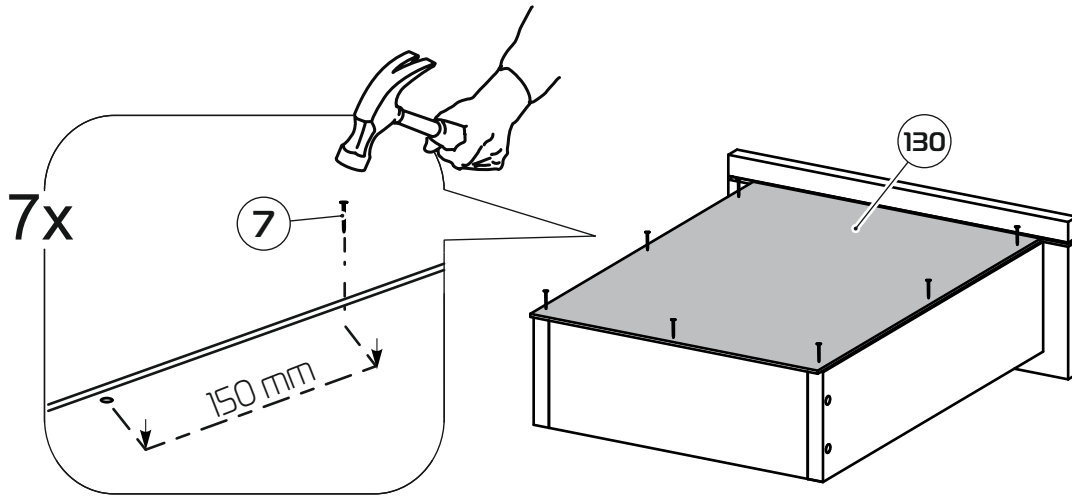
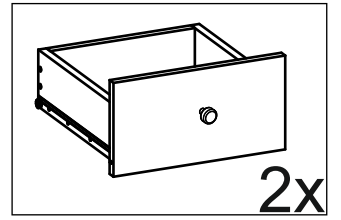
3



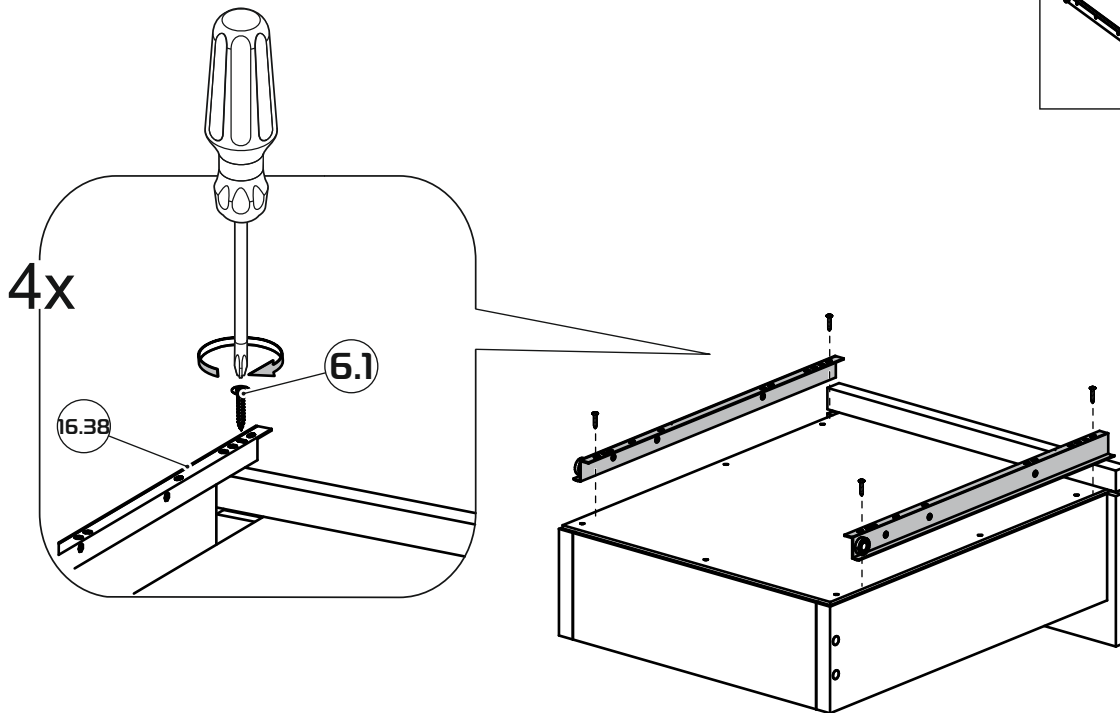
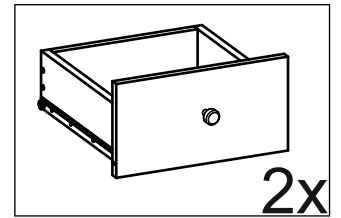
4



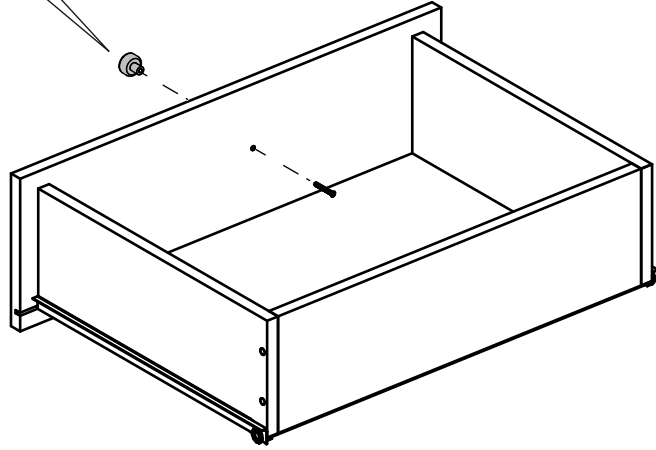
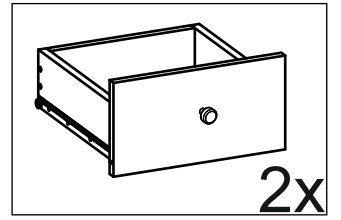
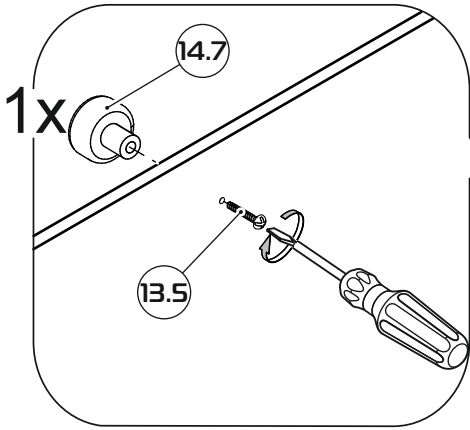
# 5



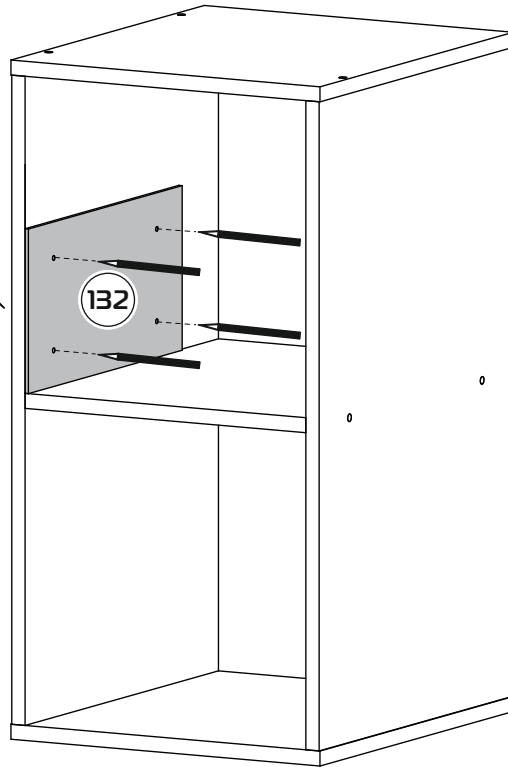
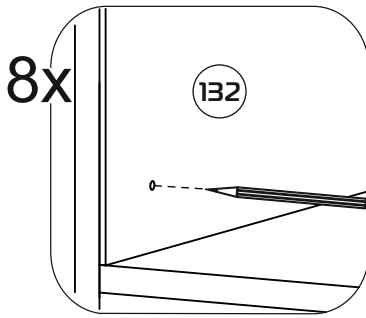
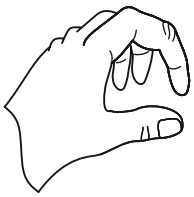
# 6



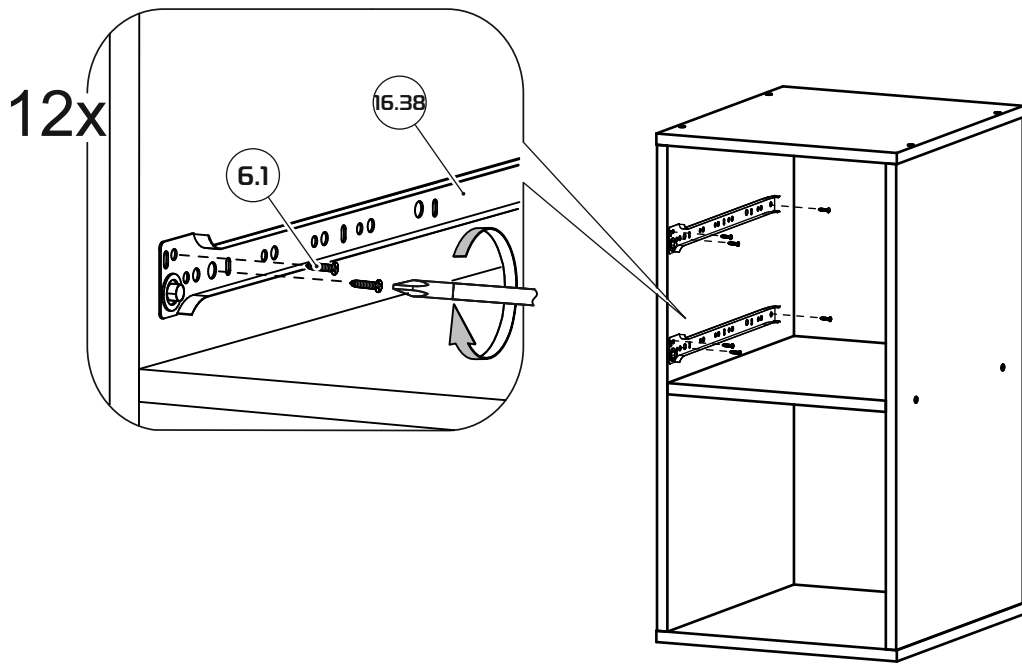
# 7



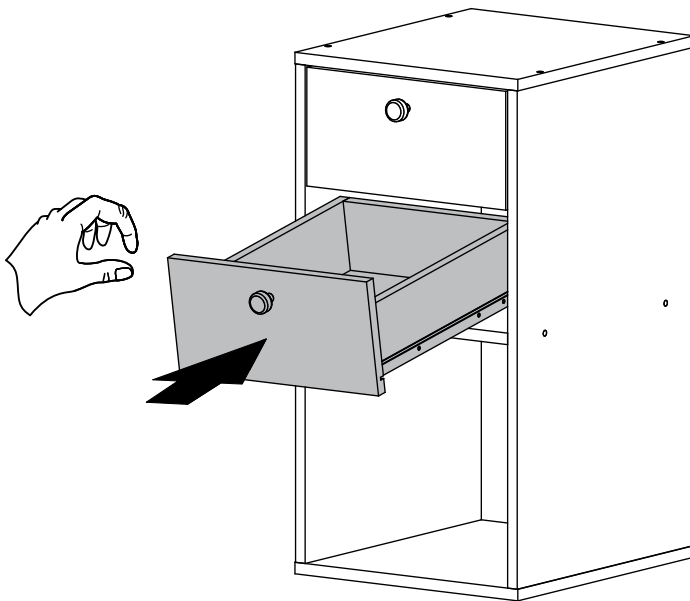
# 8



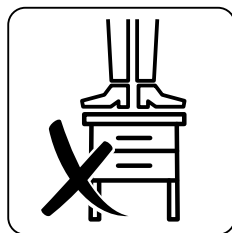
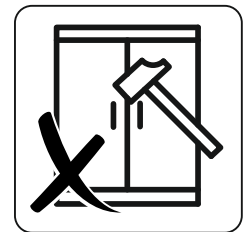
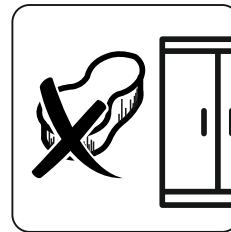
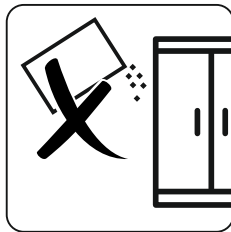
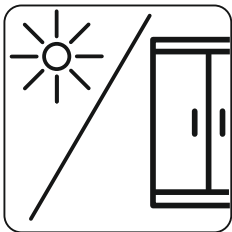
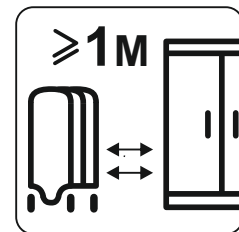
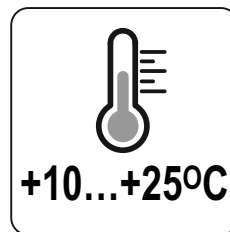
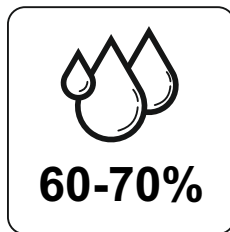
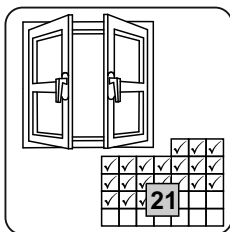
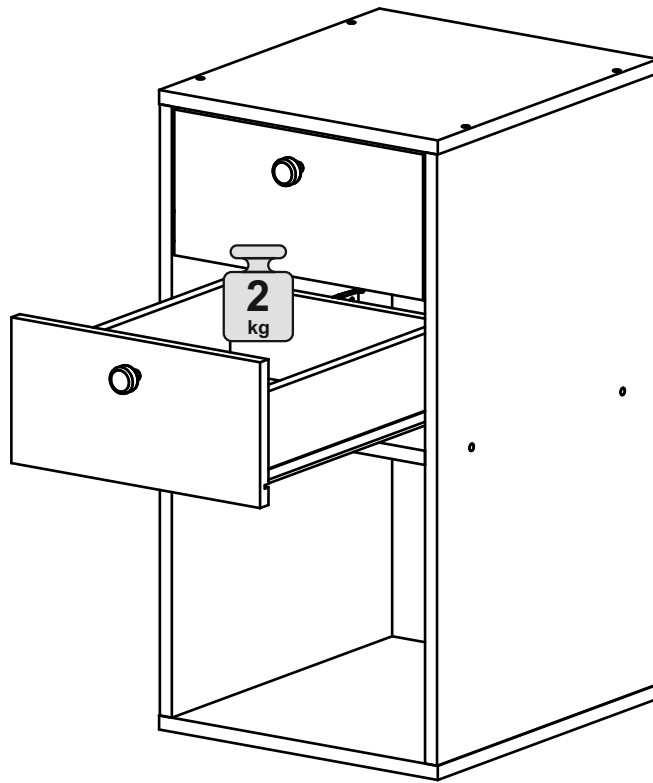
# 9



# 10

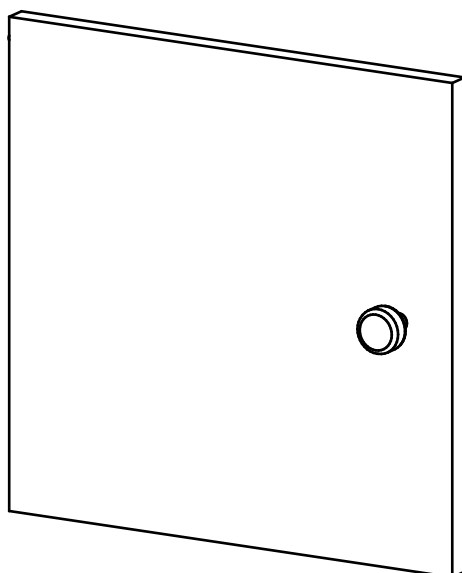


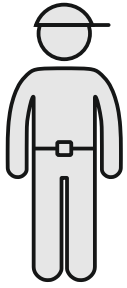




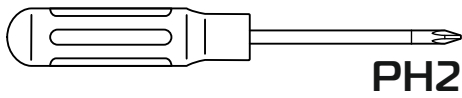
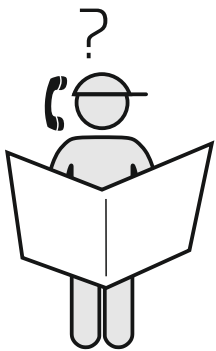
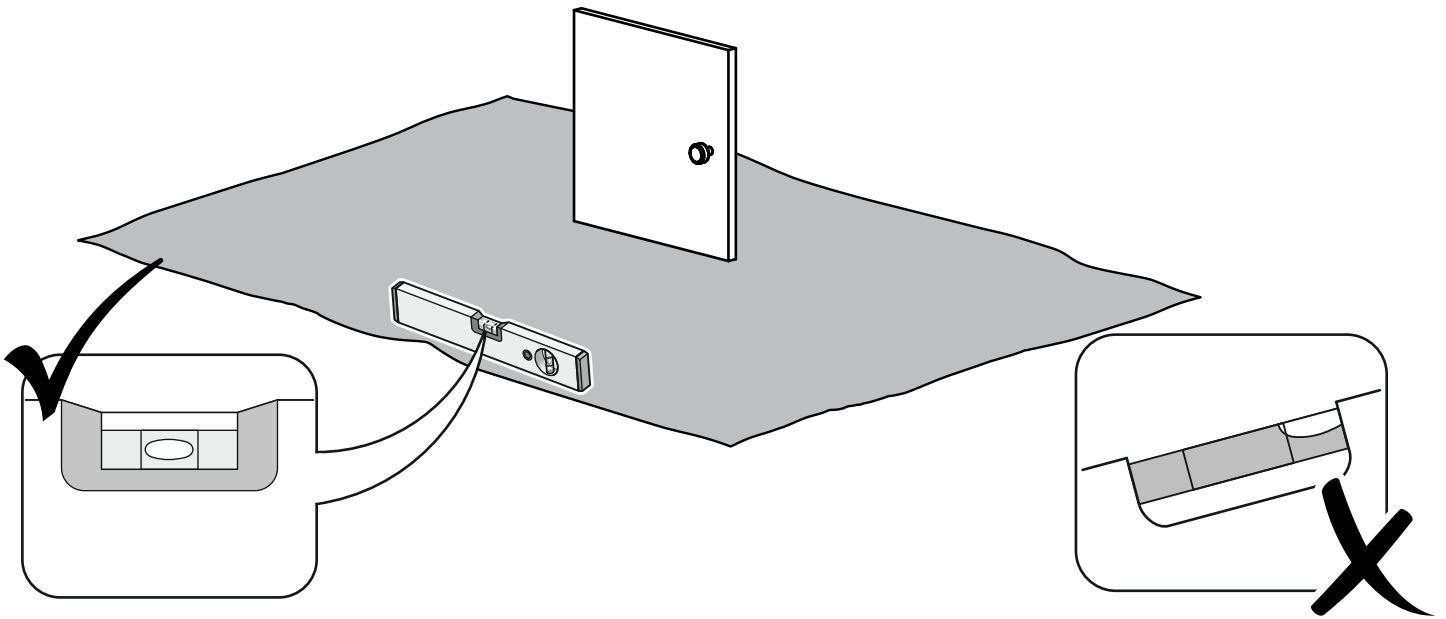
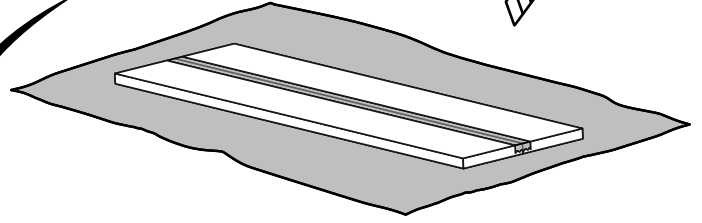
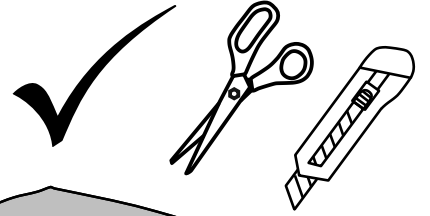
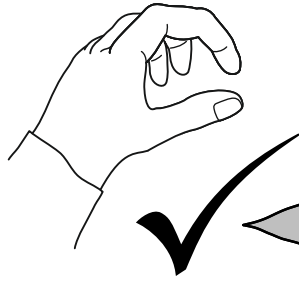
**ПРАЙМ**

**PRAIM**

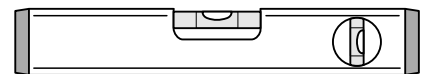
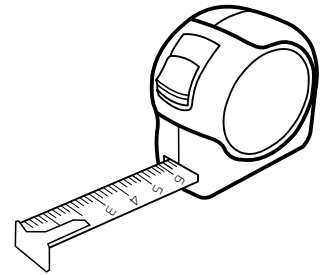
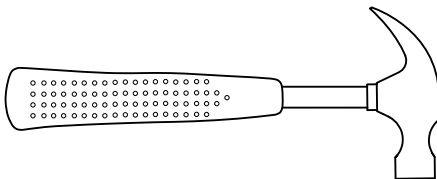


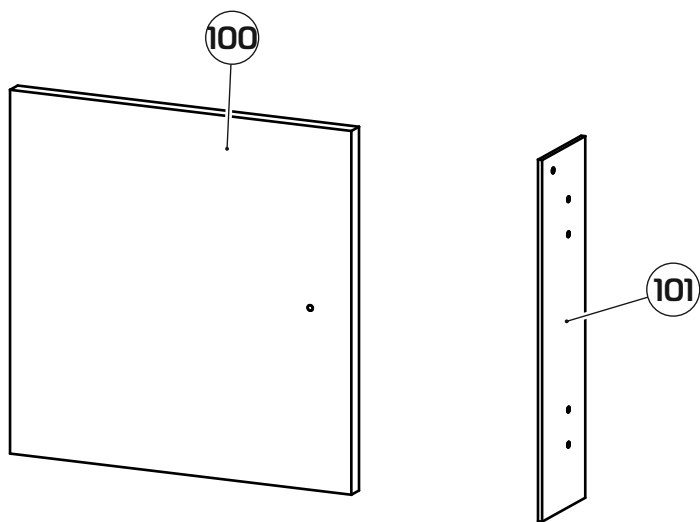


30-45min



PH2

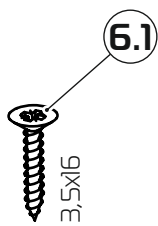




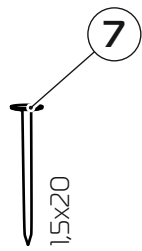
⑩ 332x332x16 (x1)

⑪ 330x90x3 (x1)

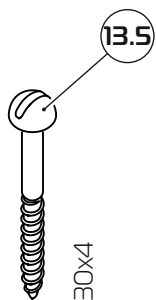
1:1



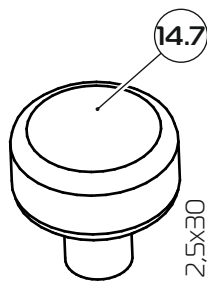
x8



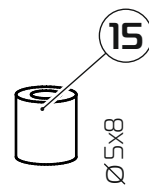
x1



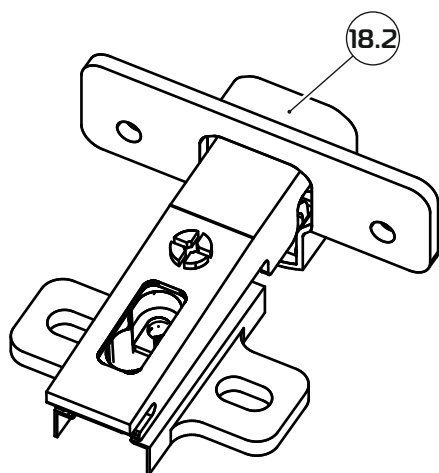
x1



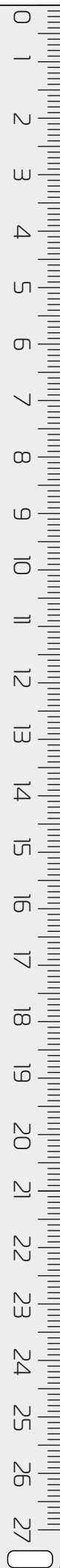
x1



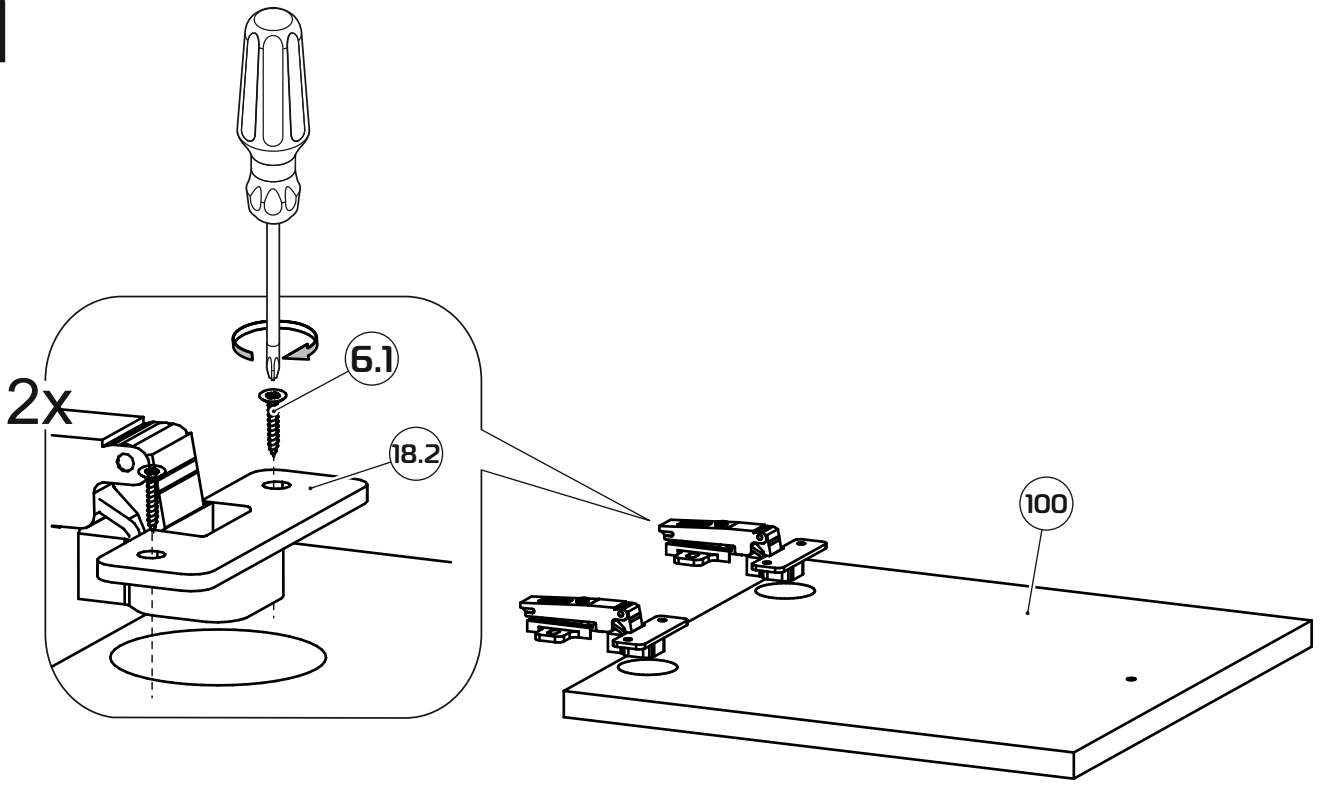
1x



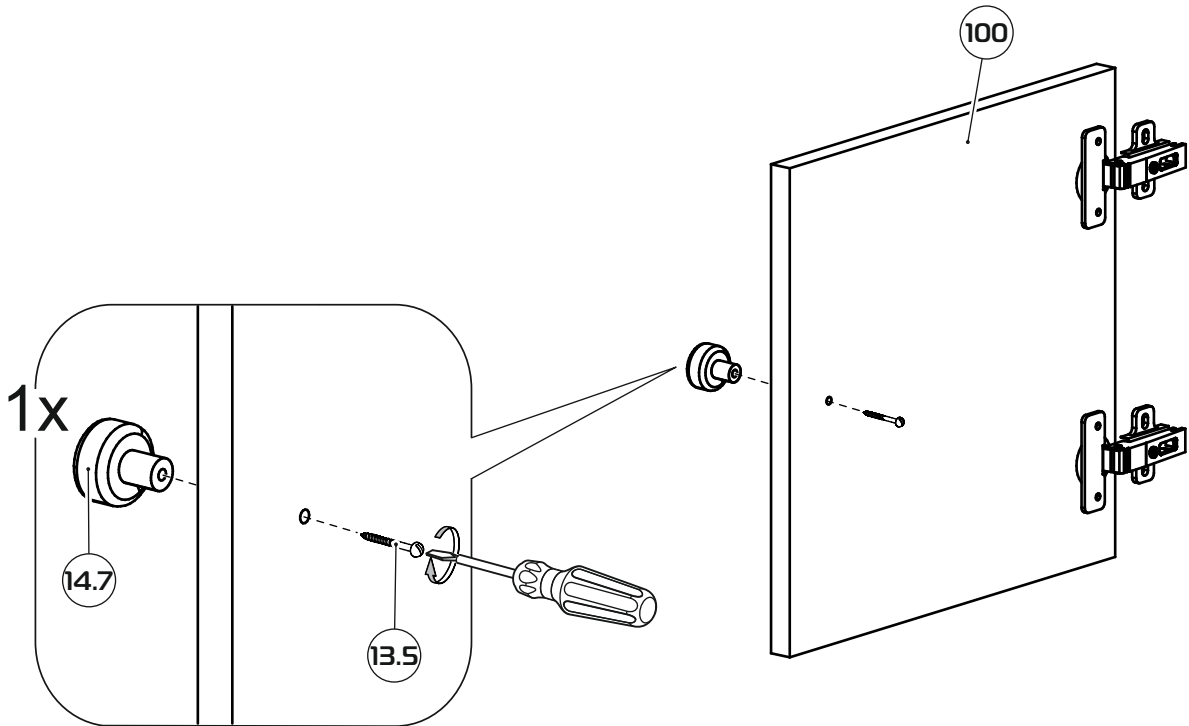
x2



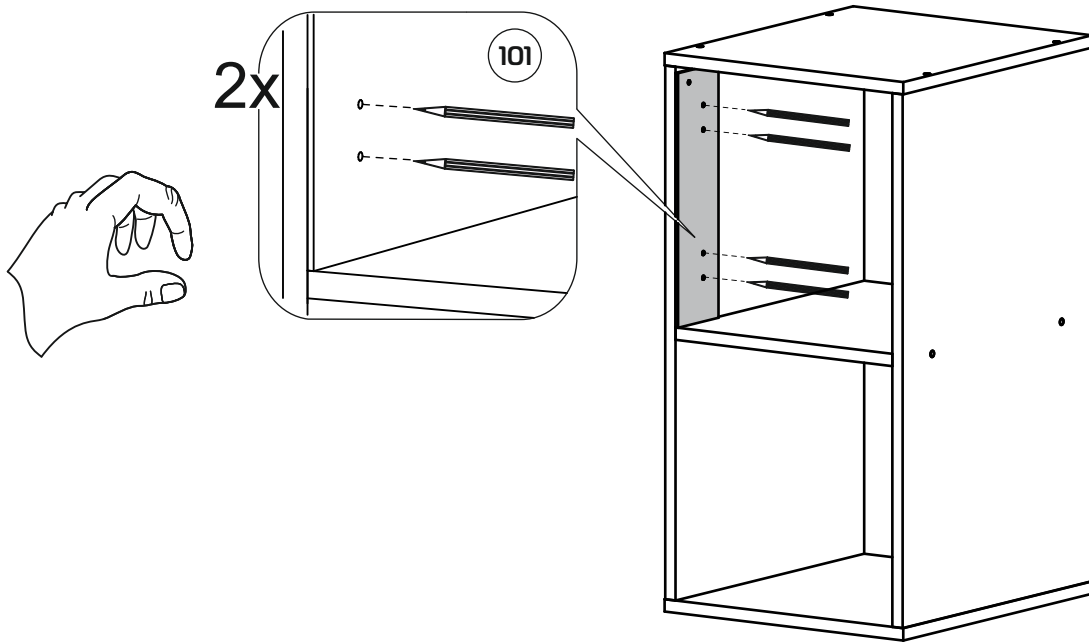
1



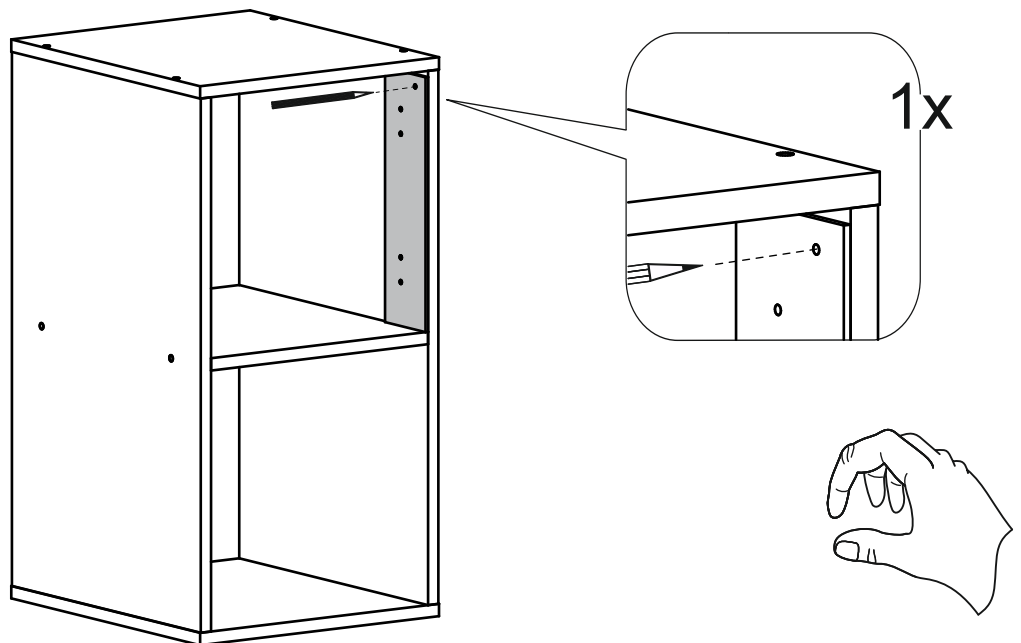
2



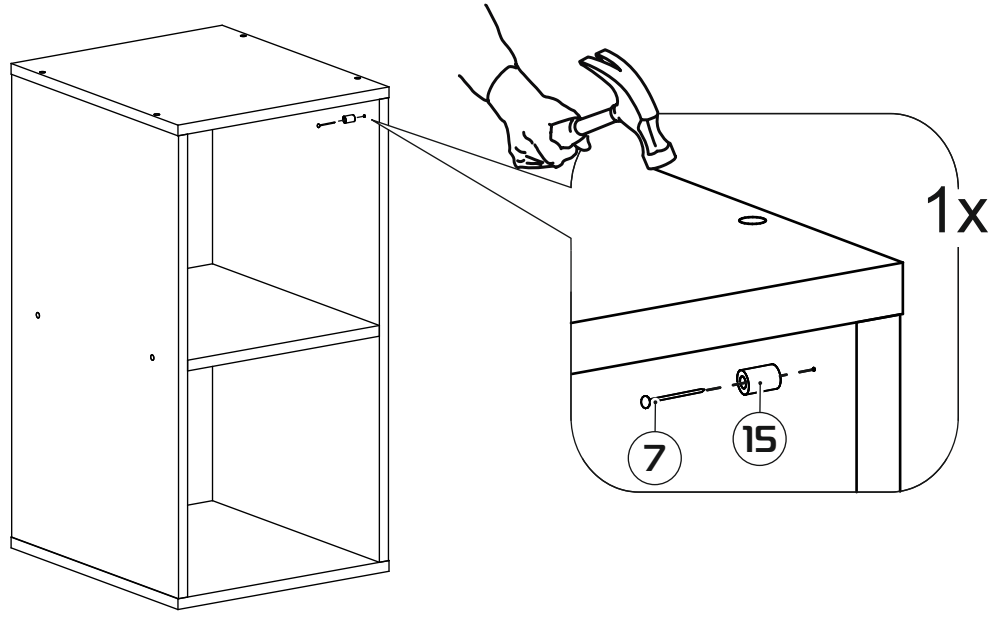
3



4



5



6

