

Tiandy



TC-C34WS

Spec: I5W/E/Y/(M)/2.8mm(4mm)/V4.2

4MP Fixed Starlight IR Bullet Camera

Lite Series



KEY FEATURES

- Default: Plastic, M: Metal Housing
- Up to 2560×1440@25fps
- S+265/H.265/H.264
- Min. illumination Color: 0.002Lux@F1.6
- 120dB WDR
- 2 Warm lights, 15m
- Smart IR, IR Range: 50m
- Support tripwire and perimeter
- Built-in Mic, SD Card Slot, Reset Button
- Operating Conditions -40°C~60°C, 0~95% RH
- POE, IP67



Tiandy Technologies Co.,Ltd.

Email: sales@tiandy.com Tel: +86-22-58596178
Website: en.tiandy.com Fax: +86-22-58596048



SPECIFICATIONS

Camera	
Image Sensor	1/2.8" CMOS
Signal System	PAL/NTSC
Min. Illumination	Color: 0.002Lux@ (F1.6, AGC ON), B/W: 0Lux with IR
Shutter Time	1s to 1/100,000s
Day & Night	Dual IR Cut Filter with Auto Switch
Wide Dynamic Range	Mechanical wide dynamics
Angle Adjustment	Bracket, pan 0~360°, tilt 0~75°, rotate 0~360°
Lens	
Lens Type	Fixed
Focus	2.8mm/4mm
Lens Mount	M12
Aperture	F1.6, Fixed
FOV	Horizontal field of view: 92.1°(2.8mm)/76.7° (4mm)
Illuminator	
IR LEDs	2
IR Range	Up to 50m
Wavelength	850nm
White LEDs/Warmlights	2
Compression Standard	
Video Compression	S+265/H.265/H.264
Video Bit Rate	32Kbps~6Mbps
Audio Compression	G.711/G.711U/ADPCM
Audio Bit Rate	8K~48Kbps
Image	
Max. Resolution	2560×1440
Main Stream	PAL: 25fps (2592x1520, 2560x1440, 2304x1296, 1920x1080, 1280x720) NTSC:24fps (2592x1520, 2560x1440) 30fps (2304x1296, 1920x1080, 1280x720)
Sub Stream	PAL: 25fps (704x576, 704x288, 640x360, 352x288) NTSC: 30fps (704x480, 704x240, 640x360, 352x240)
Third Stream	N/A
Image Setting	Saturation, brightness, contrast, sharpness, adjustable by client software or web browser
Image Enhancement	BLC/3D DNR/HLC
ROI	N/A
OSD	16x16, 32x32, 48x48, 64x64, adaptable size, Letters Such as Week, Date, Time, Total 3 Regions
Picture Overlay	N/A
Privacy Mask	Yes, 4 regions
Smart Defog	Yes
Feature	
Alarm Trigger	Motion Detection, Mask Alarm, IP Address Conflict
Video Analytics	Tripwire, Perimeter
Early Warning(EW)	N/A



Network	
ANR	-
Protocols	TCP/IP, HTTP, FTP, DHCP, DNS, DDNS, IPV4, NTP, UDP, Telnet, ICMP, RTP, RTSP, UPnP
System Compatibility	ONVIF (PROFILE S/T/G), SDK, CGI (IE), P2P(Mutually exclusive with Profile G)
Remote Connection	≤7
Client	Easy7, EasyLive
Web Version	Web5
Interface	
Communication Interface	1 RJ45 10M/ 100M self adaptive Ethernet port
Audio I/O	Mic in
Alarm I/O	N/A
Reset Button	Yes
On-board storage	Built-in MicroSD card slot, up to 512 GB
General	
Firmware Version	-
Web Client Language	17 languages Chinese Simplified/English/Chinese Traditional/Spanish/Italian/Korean/Turkish/Russian/Thai Chinese/Polish/French/Dutch/Hebrew/Vietnamese/Arabic/German/Ukrainian
Operating Conditions	-40°C~ 60°C, 0 ~ 95% RH
Power Supply	DC 12V±25%, PoE (802.3af)
Power Consumption	MAX: 6W (12V) MAX: 7W (PoE)
Protection	IP67, Lightning protection, surge protection and voltage transient protection meets EN 55035:2017
Heater	N/A
Dimensions	160.8×68×74.5mm (6.33×2.68×2.93inch)
Weight	Metal+Plastic: 0.3Kg (0.66lb) Metal: 0.48Kg (1.06lb)

* Listed resolutions are only selectable options. It does not mean that all streams can work at their maximum resolution at the same time.

AVAILABLE MODEL

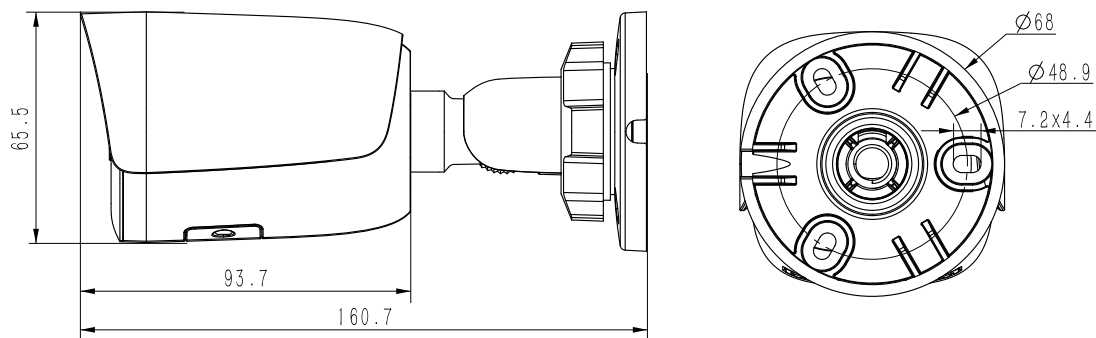
TC-C34WS SPEC: I5W/E/Y//2.8MM/V4.2

TC-C34WS SPEC: I5W/E/Y/4MM/V4.2

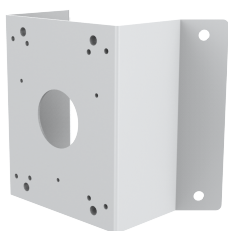
TC-C34WS SPEC: I5W/E/Y/M/2.8MM/V4.2

TC-C34WS SPEC: I5W/E/Y/M/4MM/V4.2

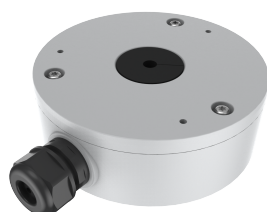
DIMENSIONS



ACCESSORIES



A35
CORNER MOUNT



TC-P54BM SPEC: V5
JUNCTION BOX



A36
POLE MOUNT

DISTRIBUTED BY



Tiandy Technologies Co.,Ltd.

Email: sales@tiandy.com
Website: en.tiandy.com

Tel: +86-22-58596178
Fax: +86-22-58596048