

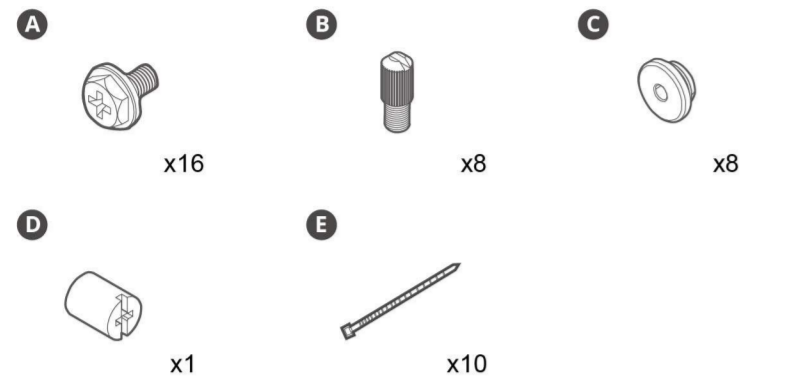
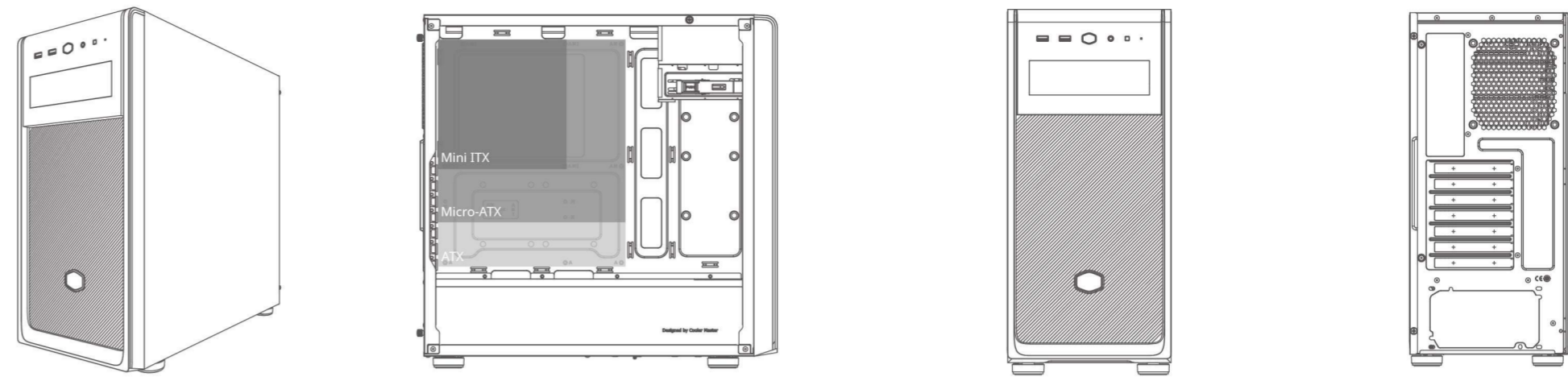


Make It Yours.

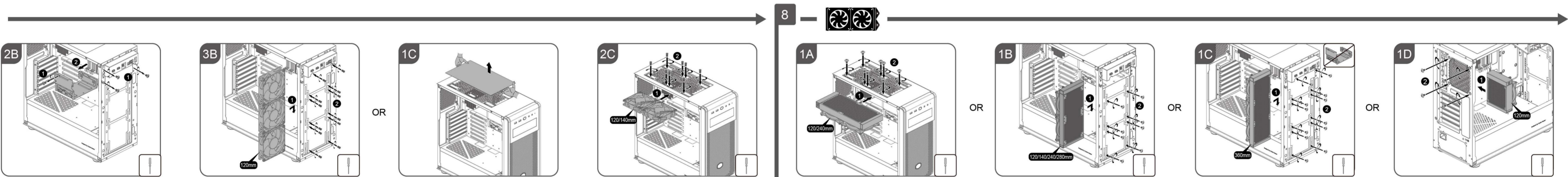
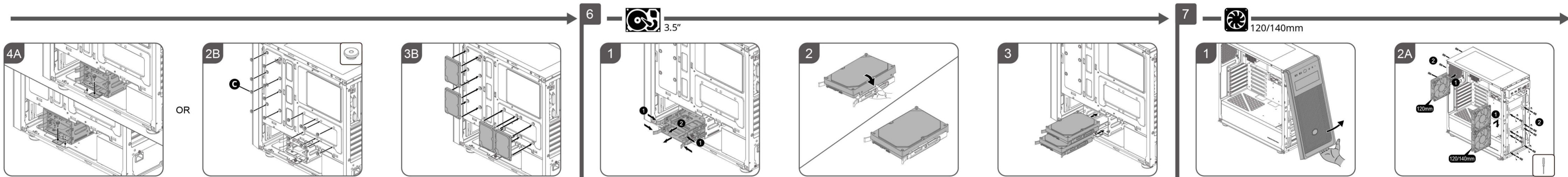
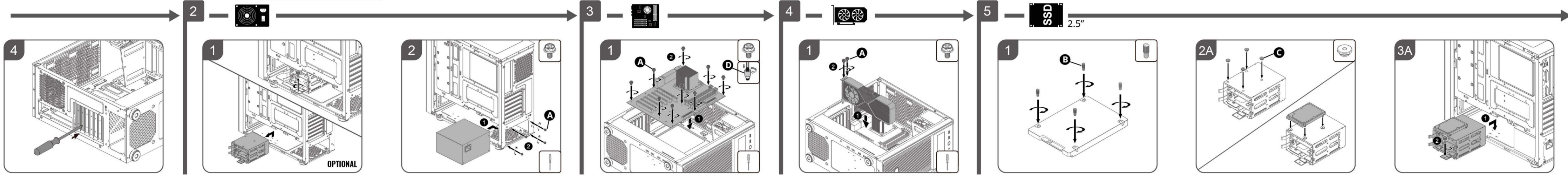
ELITE 500 WITH ODD

EN	Package Content	HU	A csomag tartalma
AR	حزمة المحتوي	ID	Isi Paket
BG	Съдържание на пакета	IT	Contenuto della scatola
CHS	零件包	JP	パッケージ内容物
CHT	零件包	KR	구성품
CS	Obsah balení	NL	Verpakkingsinhoud

DE	Verpackungsinhalt	PL	Zawartość opakowania
EL	Περιεχόμενα Συσκευασίας	PT	Conteúdo da embalagem
ES	Contenido Paquete	RU	Комплектация
FR	Contenu de l'emballage	SR	Sadržaj pakovanja
FA	محتویات	TR	Paket içeriği



512004510-GP V1.0 2021-03



Warranty information

English (EN)

Cooler Master guarantees that this device is free of defect in material and workmanship, and provides a two-year limited hardware warranty for the device commencing from the date of purchase. Please keep your receipt for proof of purchase.

This product is designed for computer usage only. Using this device in any other capacity voids the warranty. If you are not familiar with computer hardware installation, please ask for professional assistance.

The warranty offered covers normal use. Defect or damage that result from improper operation, storage, misuse or abuse, accident or neglect, which are not the fault of Cooler Master, are excluded from warranty coverage.

Note: the warranty is voided by removal or alternation of product or parts identification labels.

*All OEM/bulk packaging product come with one year limited warranty

*In case of conflict between the warranty provided by the country of point of sale and this manual, the warranty of the actual country of point of sale shall be the prevailing document.

*In case of malfunction of electronic components or need of accessories purchase during the warranty period, please return to the original store of purchase.

繁体中文 (ZH-TW)

Cooler Master 保證本設備之材質及功能無瑕疵，並提供本設備二年之硬體有限保固服務。自購買日起，請把您的收據放在安全之處，以免 Cooler Master 要求您提供本證明。本產品專為電腦設計，一旦將本設備用於其他用途，則保固無效。若您不熟悉硬體安裝程序，請尋求專家之協助。保固服務僅適用於正常使用下之故障情形。若本公司發現設備損壞之原因為濫用、改造、誤用、疏忽、電壓供應錯誤、空氣及水污染意外和自然災害，則保固無效。

注意：廢貼或移除產品標識或零件標識保固服務，則不在此限。

*所有 OEM 及工業包裝之產品皆附一年保固。

*如果銷售國家所提之保固與本說明書有衝突時，應以實際銷售國家之保固為準。

*保固期內遇有電子零件故障或配件購買需求，請洽原購買商店。

繁體中文 (ZH-TW)

Cooler Master 保證本設備之材質及加工無瑕疵，並提供本設備二年之硬體有限保固服務。自購買日起，請把您的收據放在安全之處，以免 Cooler Master 要求您提供本證明。本產品專為電腦設計，一旦將本設備用於其他用途，則保固無效。若您不熟悉硬體安裝程序，請尋求專家之協助。保固服務僅適用於正常使用下之故障情形。若本公司發現設備損壞之原因為濫用、改造、誤用、疏忽、電壓供應錯誤、空氣及水污染意外和自然災害，則保固無效。

注意：廢貼或移除產品標識或零件標識保固服務，則不在此限。

*所有 OEM 及工業包裝之產品皆附一年保固。

*如果銷售國家所提之保固與本說明書有衝突時，應以實際銷售國家之保固為準。

*保固期內遇有電子零件故障或配件購買需求，請洽原購買商店。

部件名稱	有毒有害物質或元素					
	鉛 (Pb)	汞 (Hg)	鎘 (Cd)	六價鉻 (Cr(VI))	多溴聯苯 (PBB)	多溴二苯醚 (PBDE)
機殼組	X	O	O	O	O	O
前置按鈕	X	O	O	O	O	O
I/O 按鈕	X	O	O	O	O	O
風扇	X	O	O	O	O	O
零件包	X	O	O	O	O	O
電源	X	O	O	O	O	O

本表格依據 RoHS 1.1 34 的規定編制。
 O: 表示該有害物質在該部件中的含量均符合 RoHS/T 26572 規定的限量要求以下。
 X: 表示該有害物質在該部件中的含量超過 RoHS/T 26572 規定的限量要求。

Note: The form is only applied to China law.

North America / Cooler Master NA
 2009 Imperial Hwy Ste. 110, Bldg. CA 10821, USA
 Tel: +1 888 624 5099

South America
 5000 Avenida Las Americas, Caracas, Venezuela
 Tel: +58 212 960 7000

Europe / Cooler Master Europe BV
 Ledenberghedijk 10, 5652 DC Eindhoven, The Netherlands
 Tel: +31 (0)40 702 9000

China / Cooler Master China
 Room 2062, Floor 2, Zhongguo East Tower, New Taipei City 22068, Taiwan (R.O.C.)
 Tel: +886 2 2225 3117

North America / Cooler Master NA
 2009 Imperial Hwy Ste. 110, Bldg. CA 10821, USA
 Tel: +1 888 624 5099

South America
 5000 Avenida Las Americas, Caracas, Venezuela
 Tel: +58 212 960 7000

Europe / Cooler Master Europe BV
 Ledenberghedijk 10, 5652 DC Eindhoven, The Netherlands
 Tel: +31 (0)40 702 9000

China / Cooler Master China
 Room 2062, Floor 2, Zhongguo East Tower, New Taipei City 22068, Taiwan (R.O.C.)
 Tel: +886 2 2225 3117

Regarding all the expenses incurred in making the claim, and this is how you would claim:

- Within the valid warranty date, starting from the first day of issuing invoice, Retail shops will assist in confirmation with distributor for the consumer for the following:
 - If the damage was caused by the consumer, then the consumer should cover all expenses in fixing the product. If the product still can't be fixed, we would suggest consumer in buying a brand new product.
 - Product defect caused under natural use, expenses will be covered by the distributor.
 - Faulty products with expired warranty dates, we would suggest consumer to purchase a brand new products, without undergoing for repairs.

Table A:
 Cooler Master Products
 Please check your user manual for the exact warranty period terms for products that are not shown below.
 For more warranty information, please visit our official website: <http://www.cooler-master.com/service/warranty.html>

Chassis	Product Name	Warranty Term
All Chassis Series (Only Electronic Parts)		2 year
C-P (Chassis + PSU)		1 year

(EN) Limited warranty period: <http://www.cooler-master.com/service/warranty.html>
 (AR) الحد الأدنى للضمان: <http://www.cooler-master.com/service/warranty.html>
 (BG) Период на ограничена гаранция: <http://www.cooler-master.com/service/warranty.html>
 (CS) Odborná omezená záruka: <http://www.cooler-master.com/service/warranty.html>
 (DA) Begrænset garanti: <http://www.cooler-master.com/service/warranty.html>
 (DE) Beschränkter Garantiezeitraum: <http://www.cooler-master.com/service/warranty.html>
 (EL) Περιορισμένη εγγύηση: <http://www.cooler-master.com/service/warranty.html>
 (ES) Periodo de garantía limitada: <http://www.cooler-master.com/service/warranty.html>
 (FA) مدت زمان گارانتی: <http://www.cooler-master.com/service/warranty.html>
 (FI) Rajoitettu takuuajaksi: <http://www.cooler-master.com/service/warranty.html>
 (FR) Période de garantie limitée: <http://www.cooler-master.com/service/warranty.html>
 (HU) Korlátozott időtartalmú időszaki: <http://www.cooler-master.com/service/warranty.html>
 (HR) Razdoblje ograničenog jamstva: <http://www.cooler-master.com/service/warranty.html>
 (ID) Masa garansi terbatas: <http://www.cooler-master.com/service/warranty.html>
 (IT) Periodo di garanzia limitato: <http://www.cooler-master.com/service/warranty.html>
 (JA) 限定保証期間: <http://www.cooler-master.com/service/warranty.html>
 (KO) 제한 보증 기간: <http://www.cooler-master.com/service/warranty.html>
 (KR) 한정된 보증기간: <http://www.cooler-master.com/service/warranty.html>
 (NL) Beperkte garantieperiode: <http://www.cooler-master.com/service/warranty.html>
 (NO) Garantiperiode, begrenset garanti: <http://www.cooler-master.com/service/warranty.html>
 (PL) Okres ograniczonej gwarancji: <http://www.cooler-master.com/service/warranty.html>
 (PT) Período de garantia limitada: <http://www.cooler-master.com/service/warranty.html>
 (RU) Ограниченный гарантийный срок: <http://www.cooler-master.com/service/warranty.html>
 (SR) Period ograničene garancije: <http://www.cooler-master.com/service/warranty.html>
 (SV) Begränsad garantiperiod: <http://www.cooler-master.com/service/warranty.html>
 (TR) Sınırlı garanti süresi: <http://www.cooler-master.com/service/warranty.html>
 (UK) Обмежений гарантійний термін: <http://www.cooler-master.com/service/warranty.html>
 (ZH-TW) 有限保固期間: <http://www.cooler-master.com/service/warranty.html>