

Tiandy



TC-C35WS

Spec: I5/E/Y/[M]/2.8mm(4mm)/V4.0

5MP Fixed Starlight IR

Bullet Camera

Lite Series



KEY FEATURES

- Default: Metal+Plastic, M: Metal Housing
- Up to 2592x1944@20fps
- S+265/H.265/H.264
- Min. illumination Color: 0.002Lux@F1.6
- 120dB WDR
- Smart IR, IR Range: 50m
- Support tripwire and perimeter
- Built-in Mic, SD Card Slot, Reset Button
- Operating Conditions -40°C~60°C, 0~95% RH
- POE, IP67



Tiandy Technologies Co.,Ltd.

Email: sales@tiandy.com

Tel: +86-22-58596178

Website: en.tiandy.com

Fax: +86-22-58596048



SPECIFICATIONS

Camera	
Image Sensor	1/2.8" CMOS
Signal System	PAL/NTSC
Min. Illumination	Color:0.002Lux@(F1.6,AGC ON),B/W:0Lux with IR
Shutter Time	1s to 1/100,000s
Day & Night	Dual IR Cut Filter with Auto Switch
WDR	120dB
Angle Adjustment	Bracket,pan 0~360°,tilt 0~75°,roate 0~360°
Lens	
Lens Type	Fixed
Focus	2.8mm/4mm
Lens Mount	M12
Aperture	F1.6,Fixed
FOV	Horizontal field of view:94.7°(2.8mm)/80°(4mm) ; Vertical field of view:71.2°(2.8mm)/58.1°(4mm)
Illuminator	
IR LEDs	2
IR Range	Up to 50m
Wavelength	850nm
White LEDs/Warmlights	N/A
Compression Standard	
Video Compression	S+265/H.265/H.264
Video Bit Rate	32Kbps~6Mbps
Audio Compression	G.711A/G.711U/ADPCM_D
Audio Bit Rate	8K,32K,48Kbps
Image	
Max. Resolution	2592x1944
Main Stream	PAL:20fps(2592x1944,2592x1520),25fps(2560x1440,2304x1296,1920x1080,1280x720) NTSC:20fps(2592x1944,2592x1520),25fps(2560x1440),30fps(2304x1296,1920x1080,1280x720)
Sub Stream	PAL:25fps(704x576,704x288,640x360,352x288) NTSC:30fps(704x480,704x240,640x360,352x240)
Third Stream	N/A
Image Setting	Saturation,brightness,contrast,sharpness,adjustable by client software or web browser
Image Enhancement	BLC/3D DNR/HLC
ROI	N/A
OSD	16x16,32x32,48x48,adaptable size,Letters Such as Week,Date,Time,Total 1 Regions
Picture Overlay	N/A
Privacy Mask	Yes,4 regions
Smart Defog	Yes
Feature	
Alarm Trigger	Motion Detection,Mask Alarm,IP Address Conflict
Video Analytics	Tripwire,Perimeter
Early Warning(EW)	N/A
Network	
ANR	Yes(Only Support Tiandy ANR NVR)
Protocols	HTTP,TCP/IP,ICMP,FTP,DHCP,DNS,DDNS,RTP,RTSP,RTCP,NTP,UPnP,UDP
System Compatibility	ONVIF(PROFILE S/T/G),SDK,CGI,Milestone,P2P(Mutually exclusive with Profile G)
Remote Connection	2
Client	Easy7,EasyLive
Web Version	Web6

Tiandy

Interface	
Communication Interface	1 RJ45 10M/ 100M self adaptive Ethernet port
Audio I/O	Mic in
Alarm I/O	N/A
Speaker	N/A
Reset Button	Yes
On-board storage	Built-in MicroSD card slot, up to 512 GB
General	
Web Client Language	17 languages English, Russian, Spanish, Korean, Italian, Turkish, Simple Chinese, Traditional Chinese, Thai, French, Polish, Dutch, Hebrew, Arabic, Vietnamese, German, Ukrainian
Operating Conditions	-35°C~60°C, 0~95% RH
Power Supply	DC 12V±25%, PoE(802.3af)
Power Consumption	MAX:6W(12V) MAX:8W(PoE)
Protection	IP67
Heater	N/A
Dimensions	116.6x83.7mm(4.59x3.30inch)
GrossWeight	Metal+Plastic:0.47Kg(1.03lb) Metal:0.65Kg(1.43lb)
NetWeight	Metal+Plastic:0.3Kg(0.66lb) Metal:0.48Kg(1.06lb)

* Listed resolutions are only selectable options. It does not mean that all streams can work at their maximum resolution at the same time.

AVAILABLE MODEL

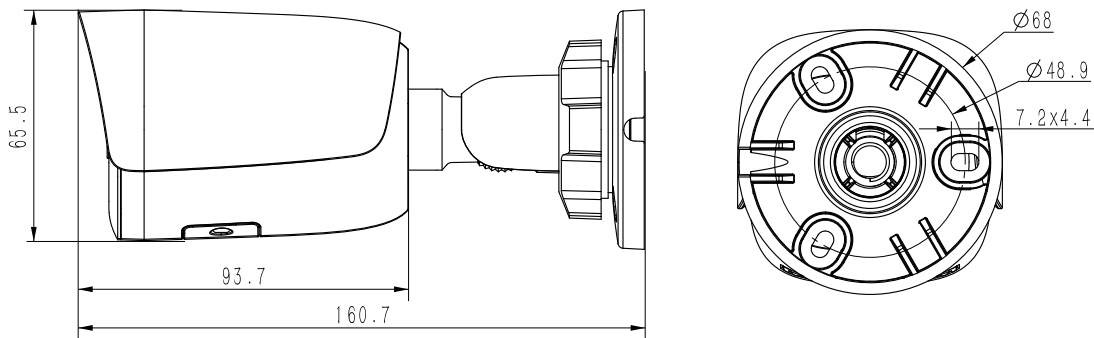
TC-C35WS SPEC: I5/E/Y/2.8MM/V4.0

TC-C35WS SPEC: I5/E/Y/4MM/V4.0

TC-C35WS SPEC: I5/E/Y/M/2.8MM/V4.0

TC-C35WS SPEC: I5/E/Y/M/4MM/V4.0

DIMENSIONS



ACCESSORIES

A35
CORNER MOUNT



TC-P54BM SPEC: V5
JUNCTION BOX



A36
POLE MOUNT

DISTRIBUTED BY



Tiandy Technologies Co.,Ltd.

Email: sales@tiandy.com
Website: en.tiandy.com

Tel: +86-22-58596178
Fax: +86-22-58596048