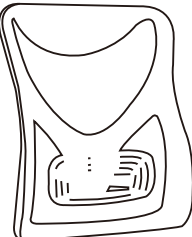

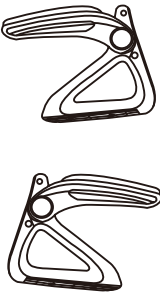
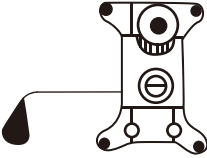
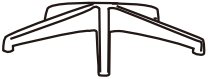
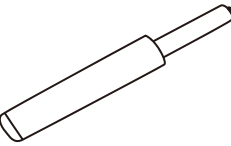
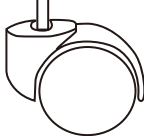



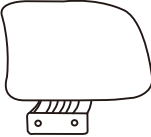

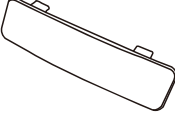

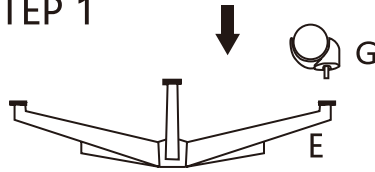


Assembly Instruction

PARTS

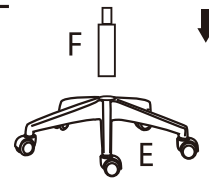
A×1 	B×1 
C×1 	D×1 
E×1 	F×1 
G×5 	H×1 a  ×10 M6x22mm b  ×4 M6x35mm
I×1 	Lx1 
K×8 	Mx1 
Nx1 	

STEP 1



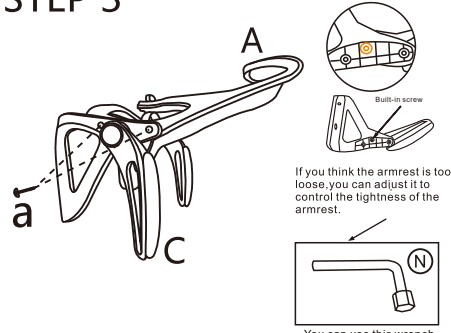
Push the wheels to the base.

STEP 2



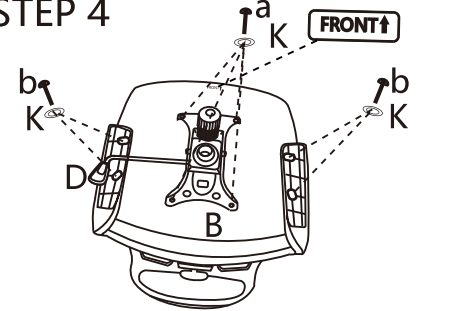
Put the gas lift on the base.

STEP 3



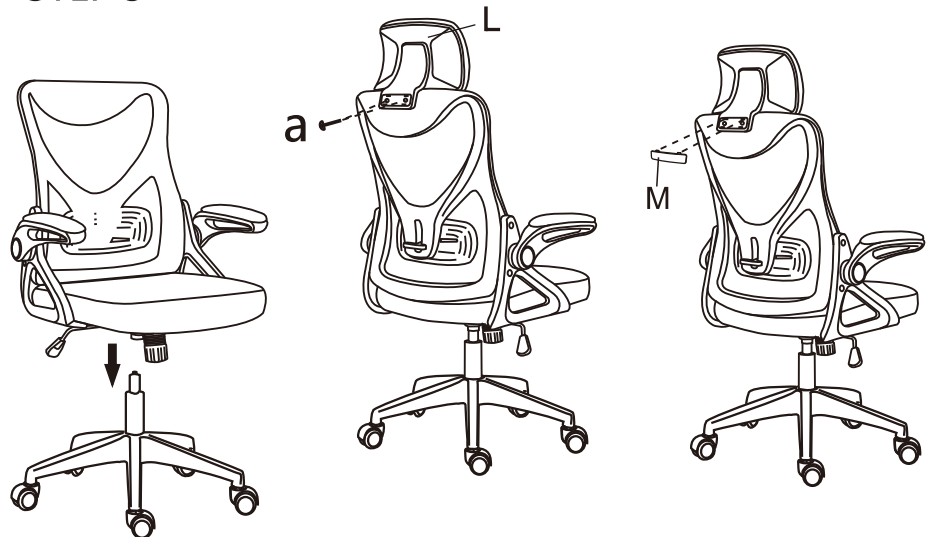
Assemble the armrest and back firstly.

STEP 4



Assemble the armrest and seat cushion first. After that attach the mechanism on the seat cushion. Please notice the direction!

STEP 5



Assemble the chair with two whole parts

STEP 6

