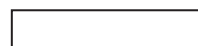
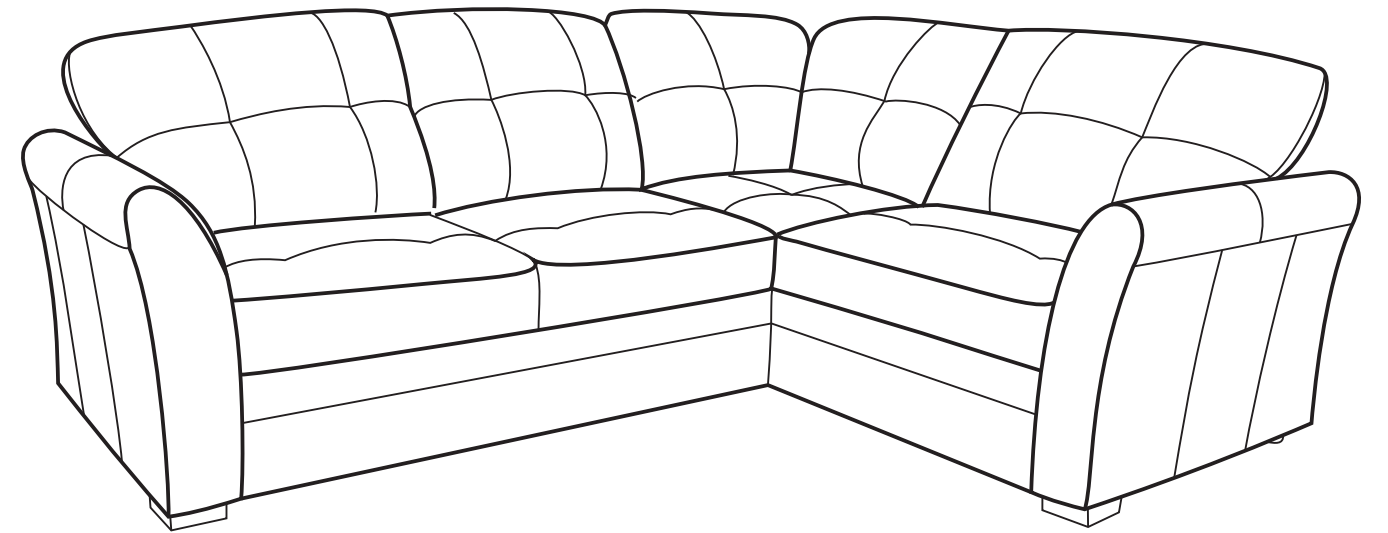
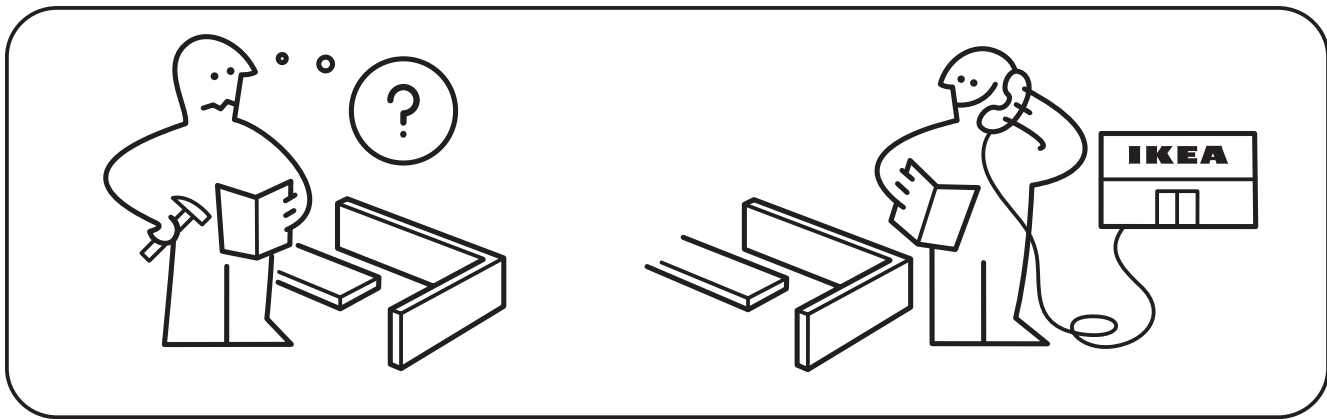
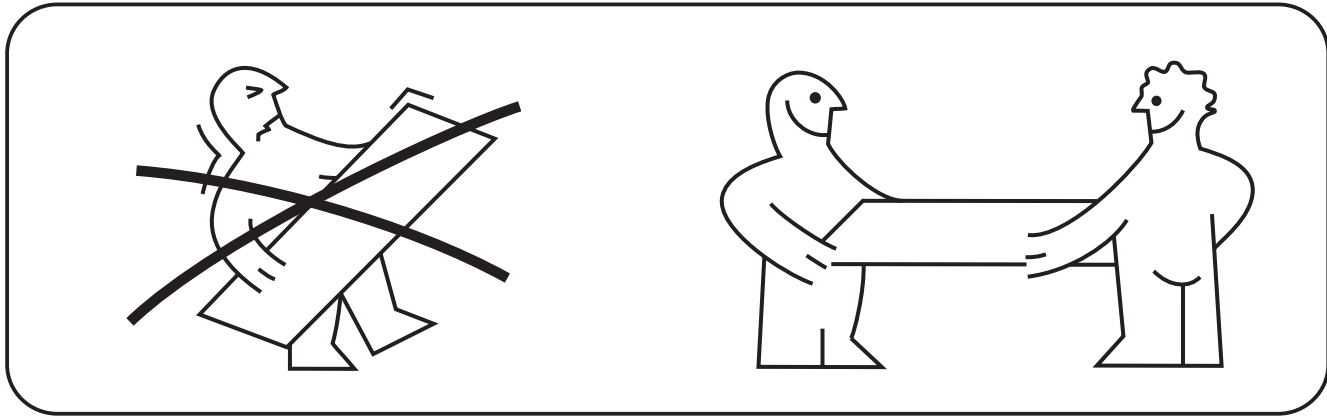
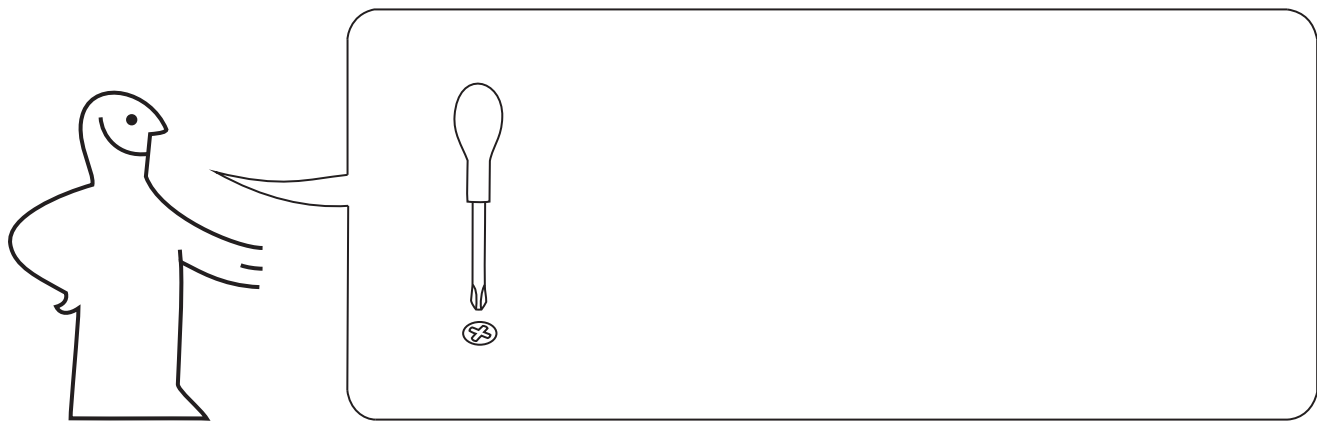
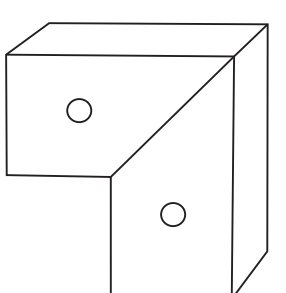
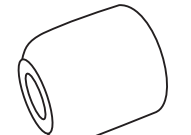

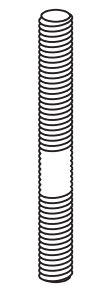

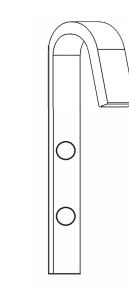
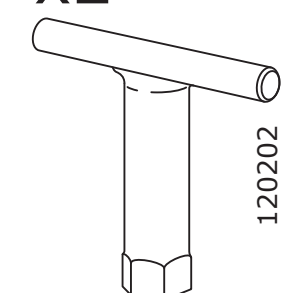
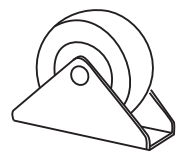
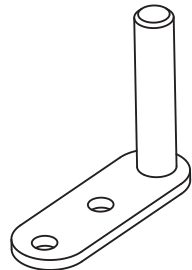


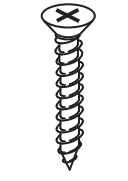

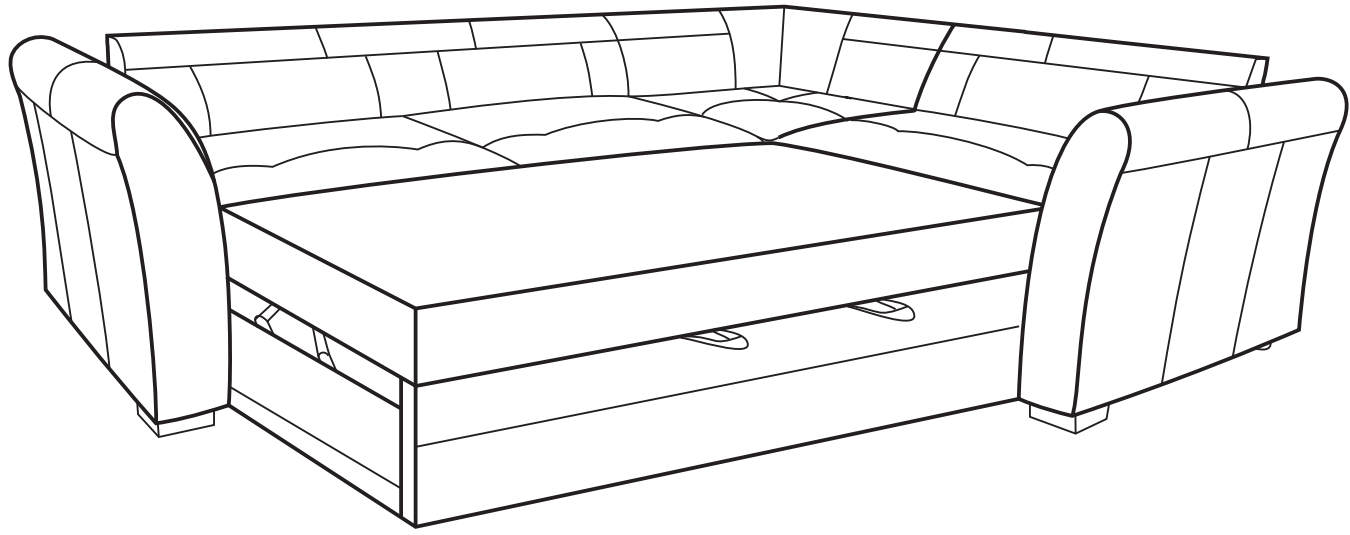


GESSBERG

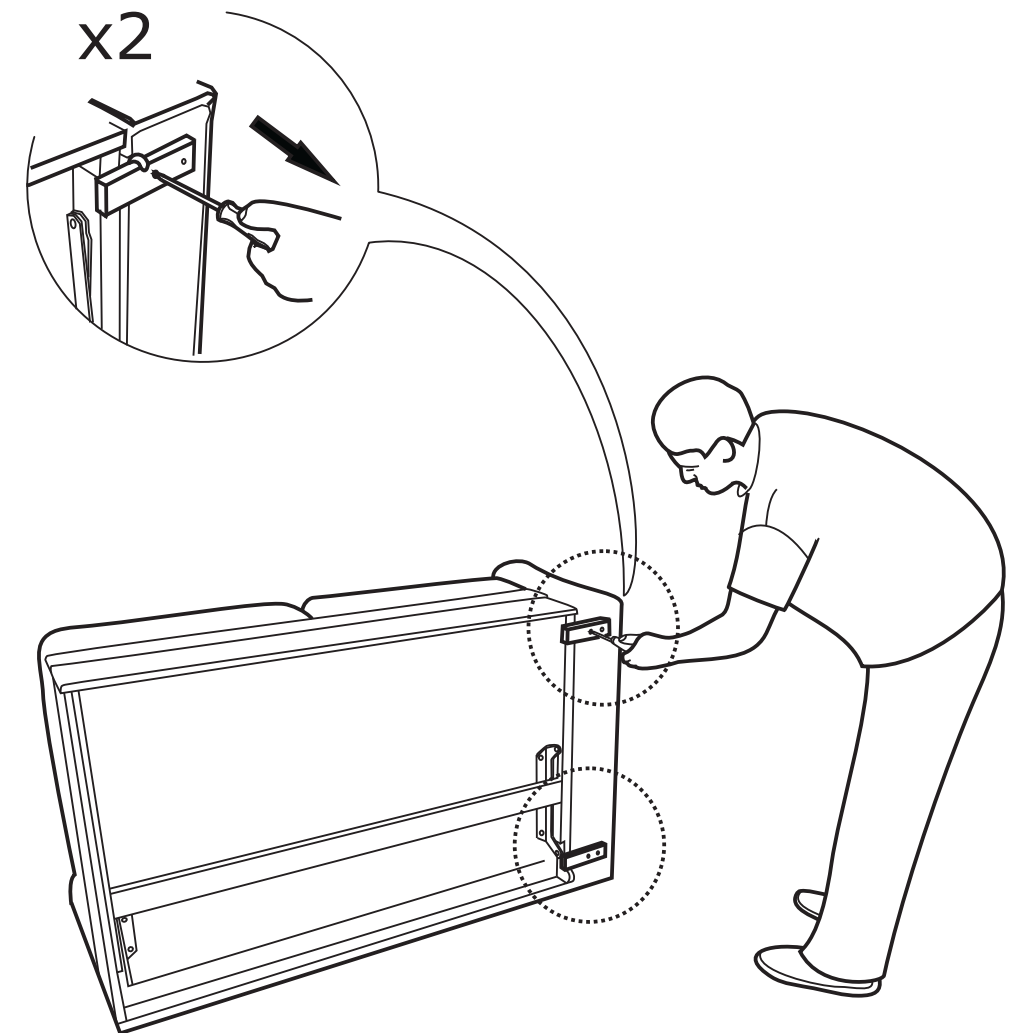




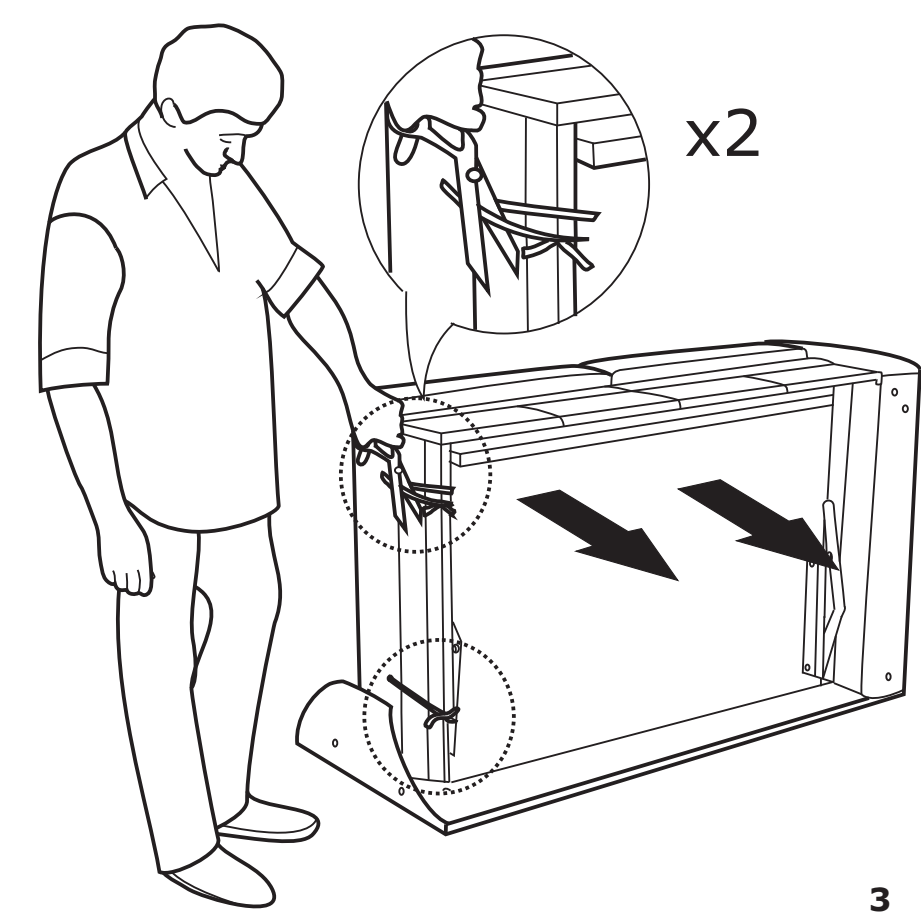
- 
x2
- 
x6
- 
x2
- 
 114509
x2
- 
 101090
x10
- 
x1
- 
 120202
x1
- 
x4
- 
x2
- 
x2
- 
 100854
x4
- 
 109510
x10
- 
 109535
x4



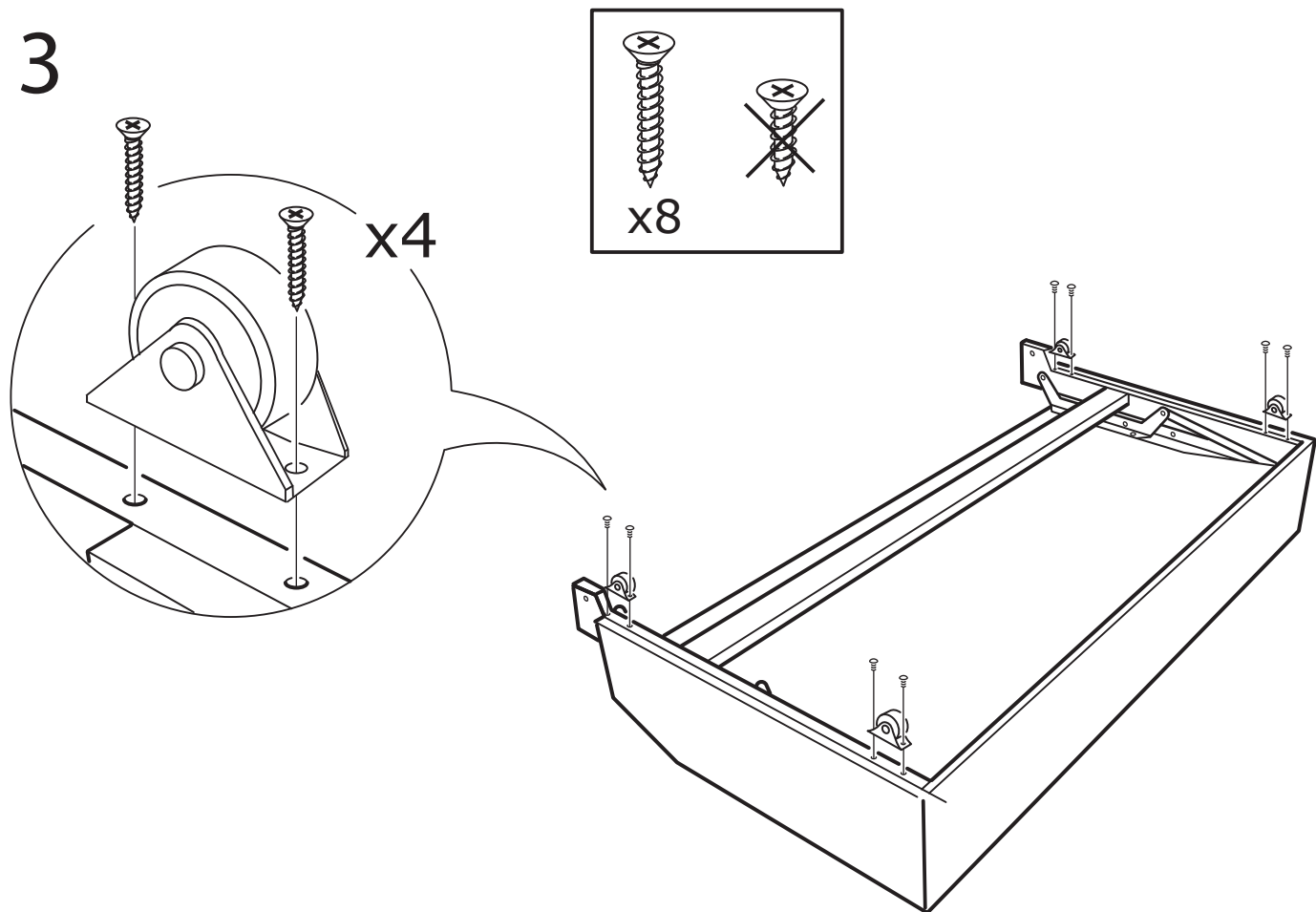
1



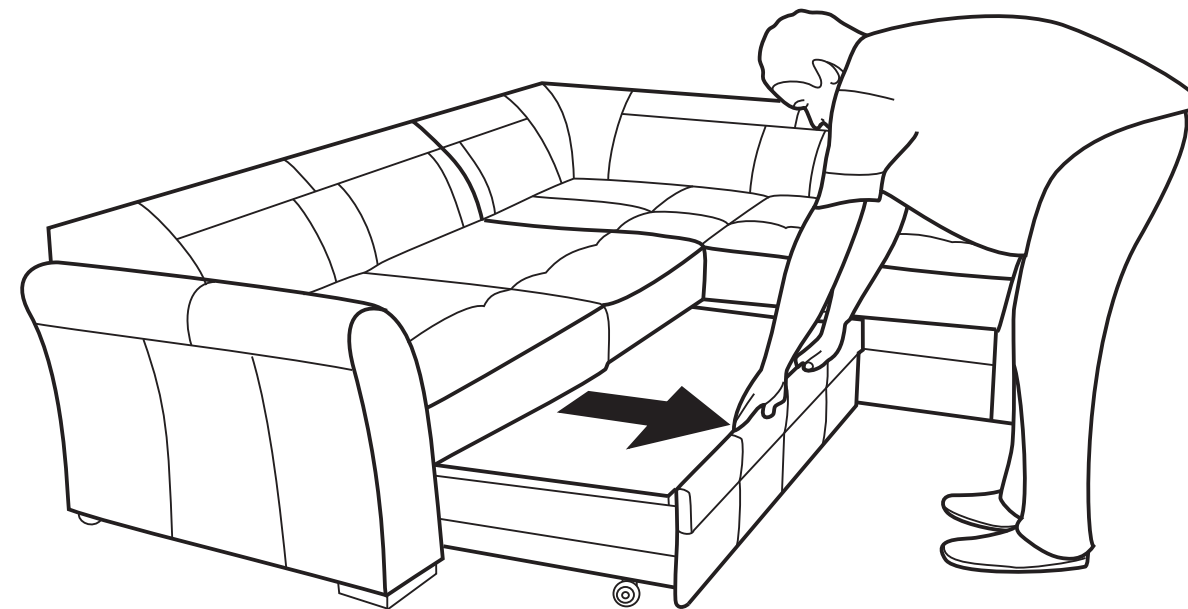
2



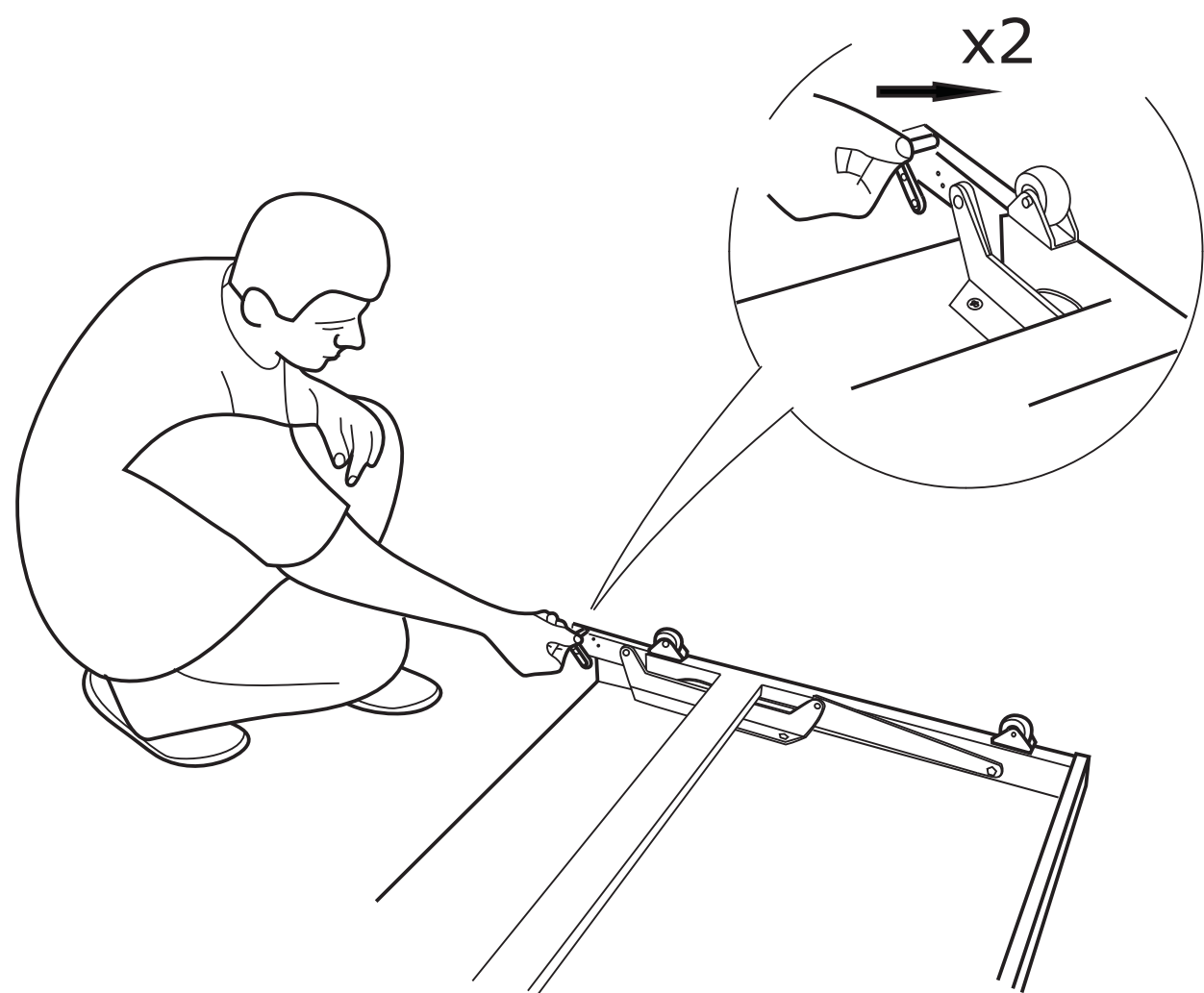
3



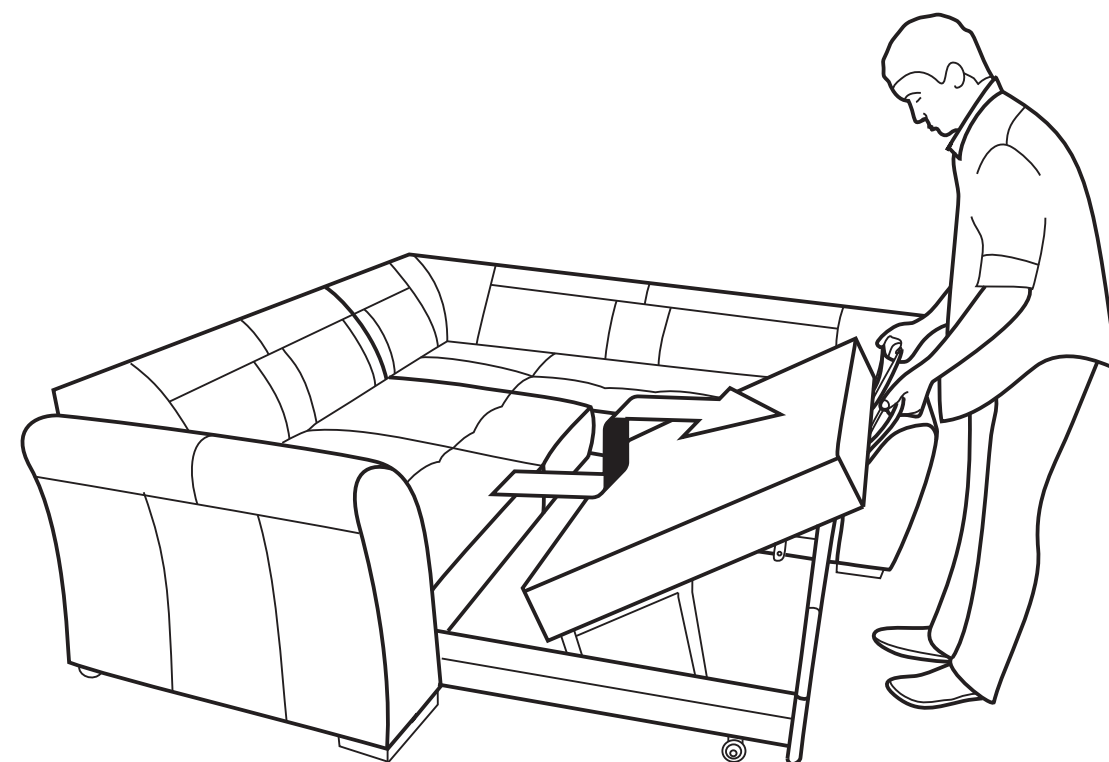
21



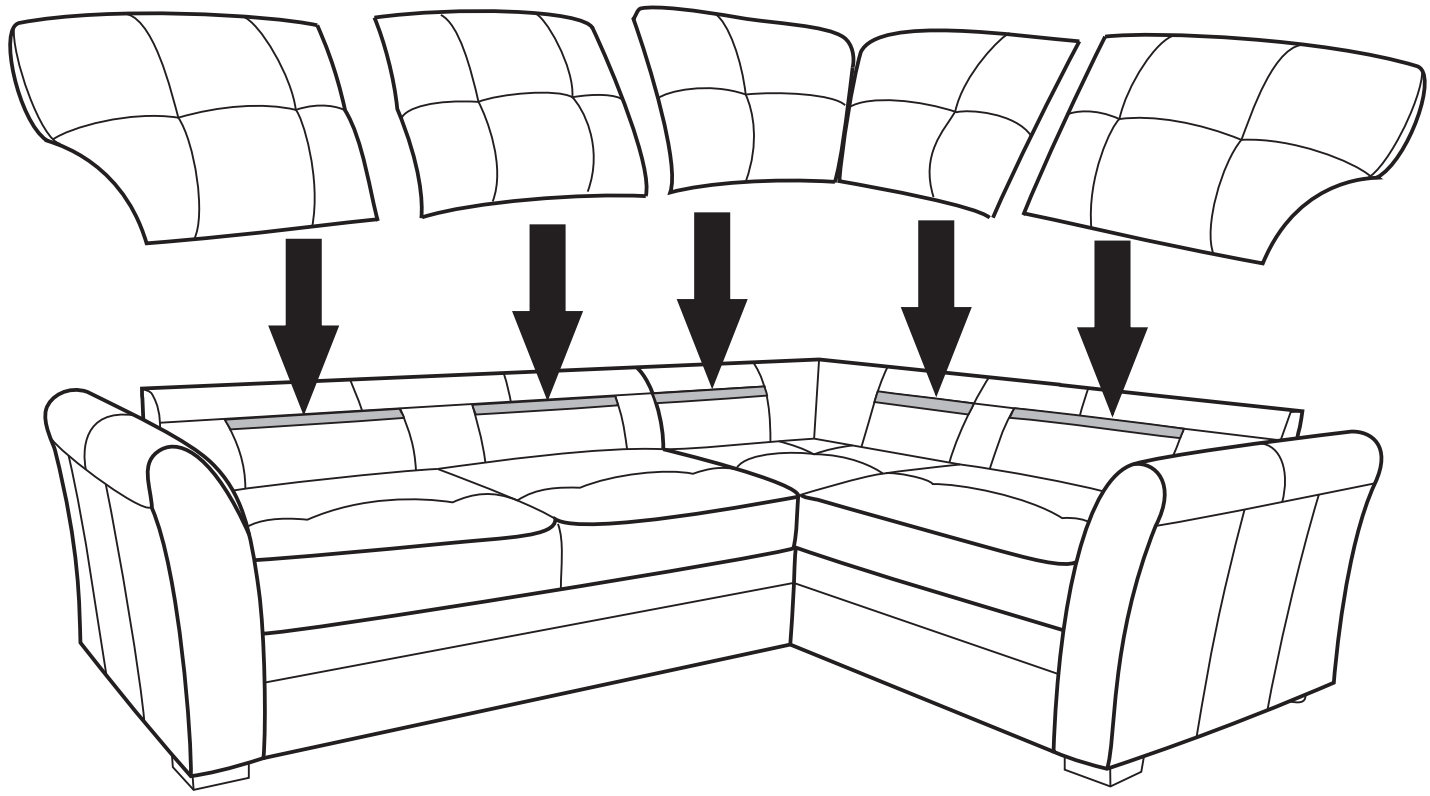
4



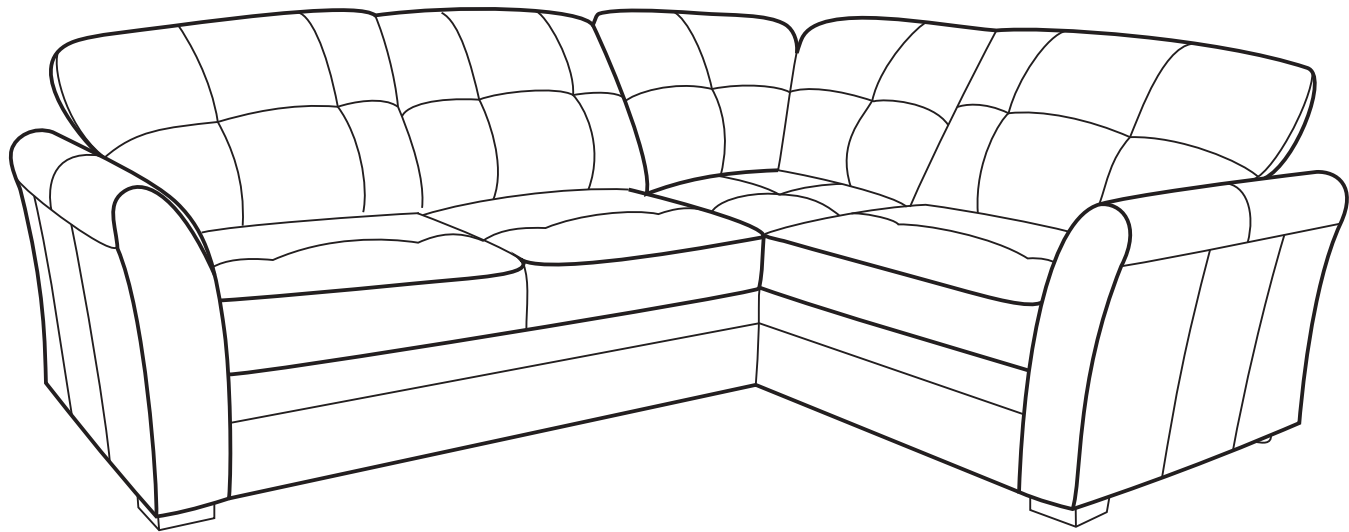
22



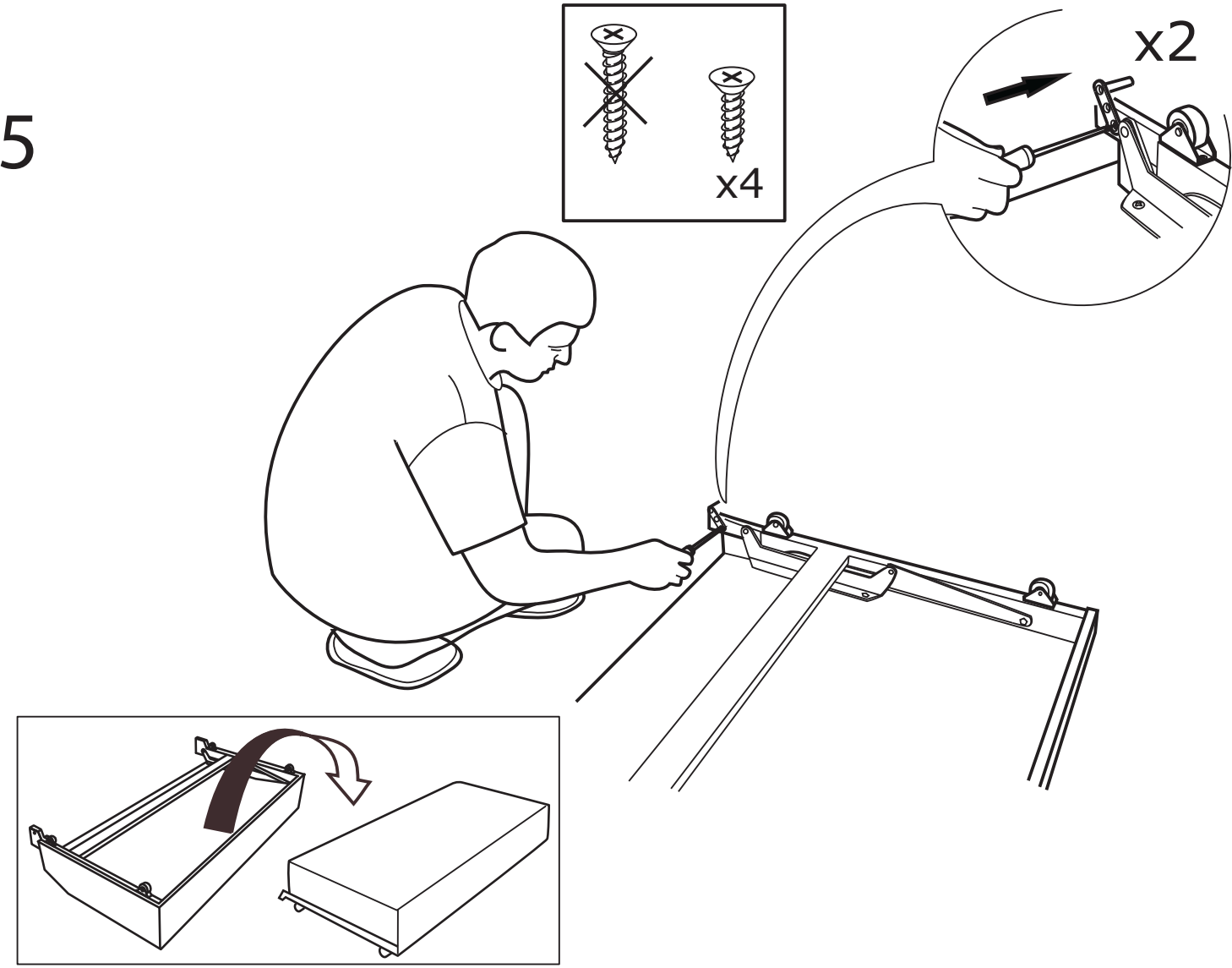
19



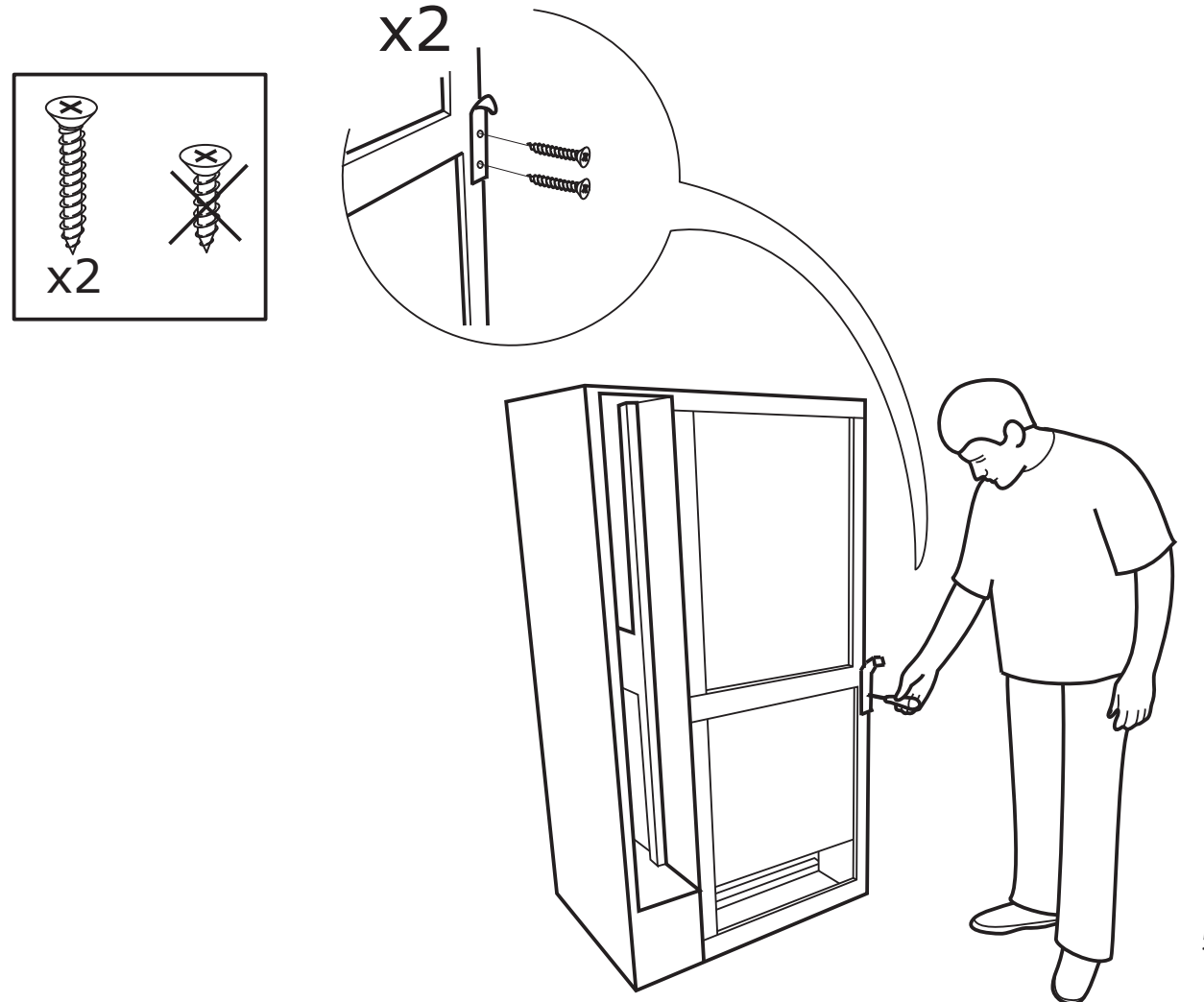
20

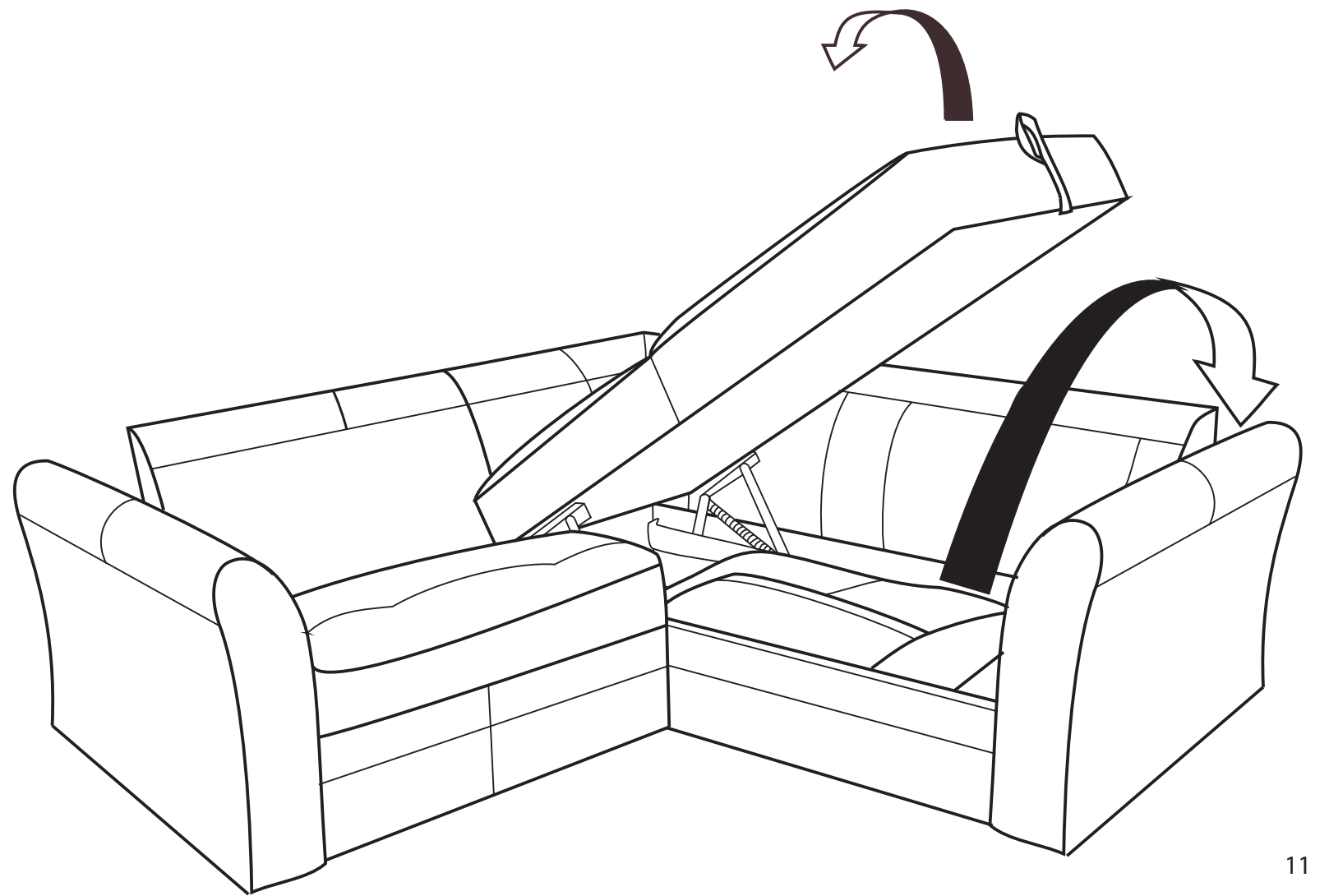
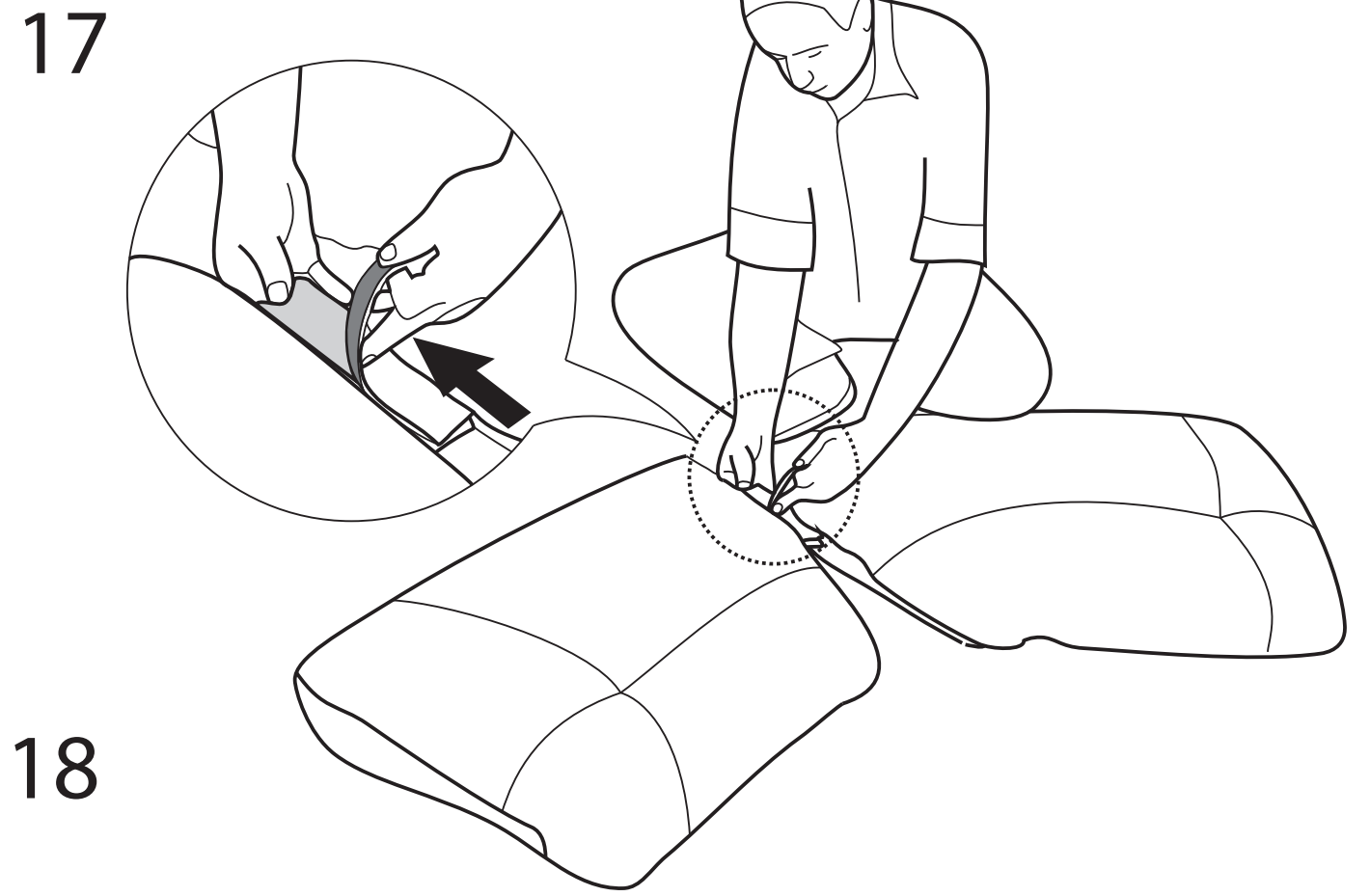
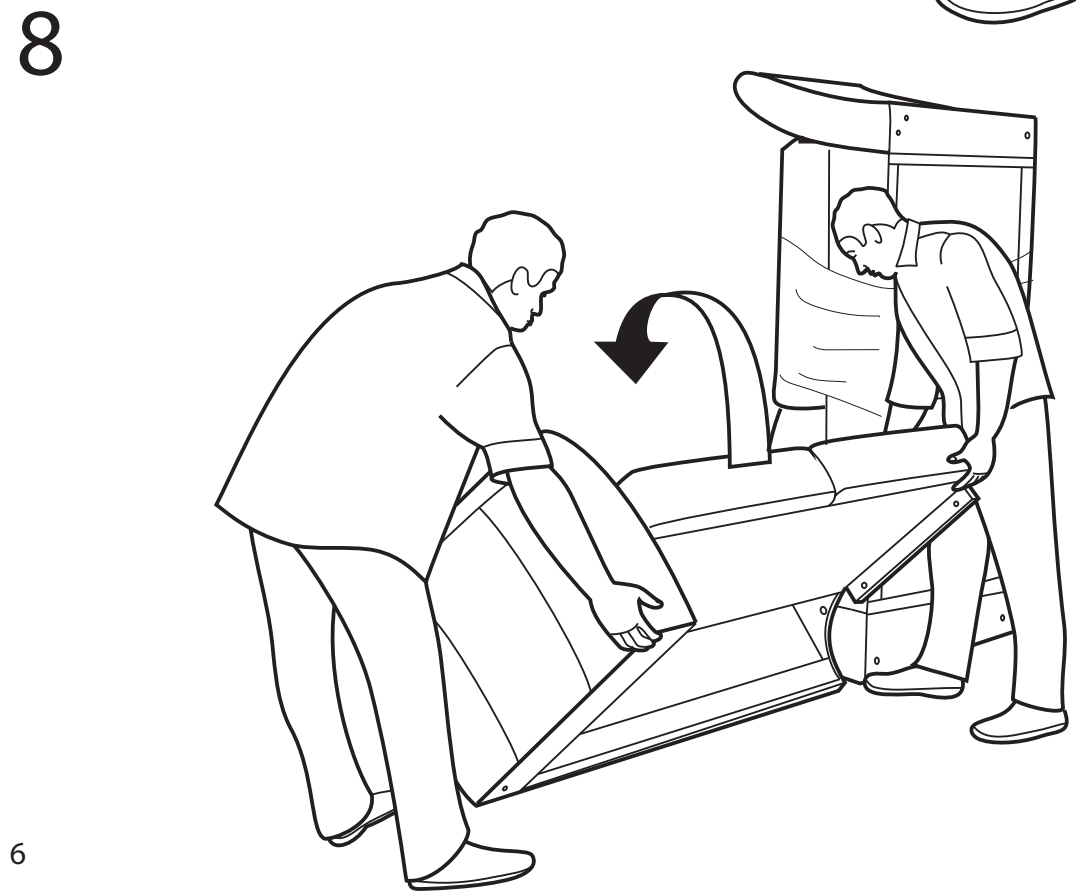
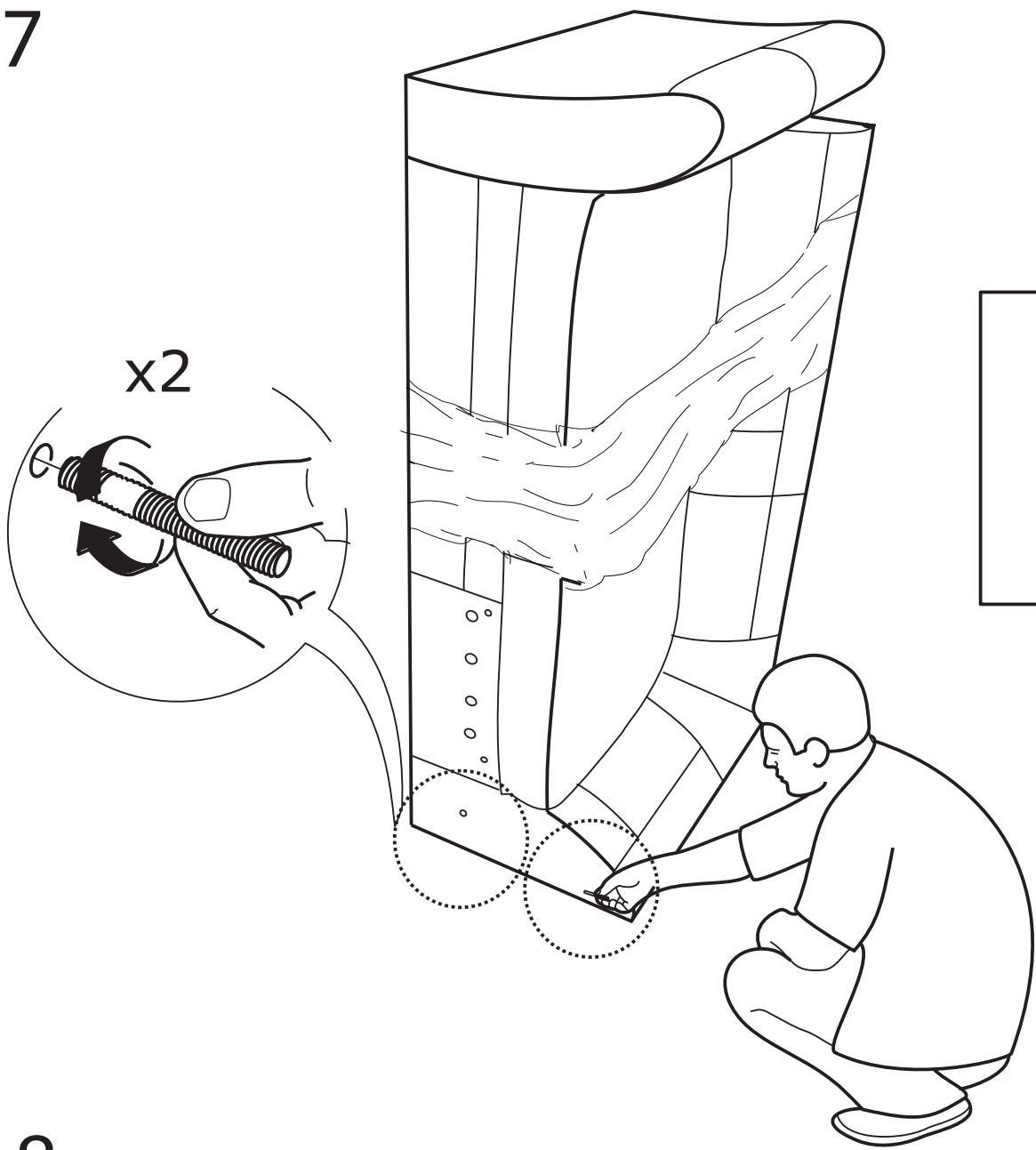


5

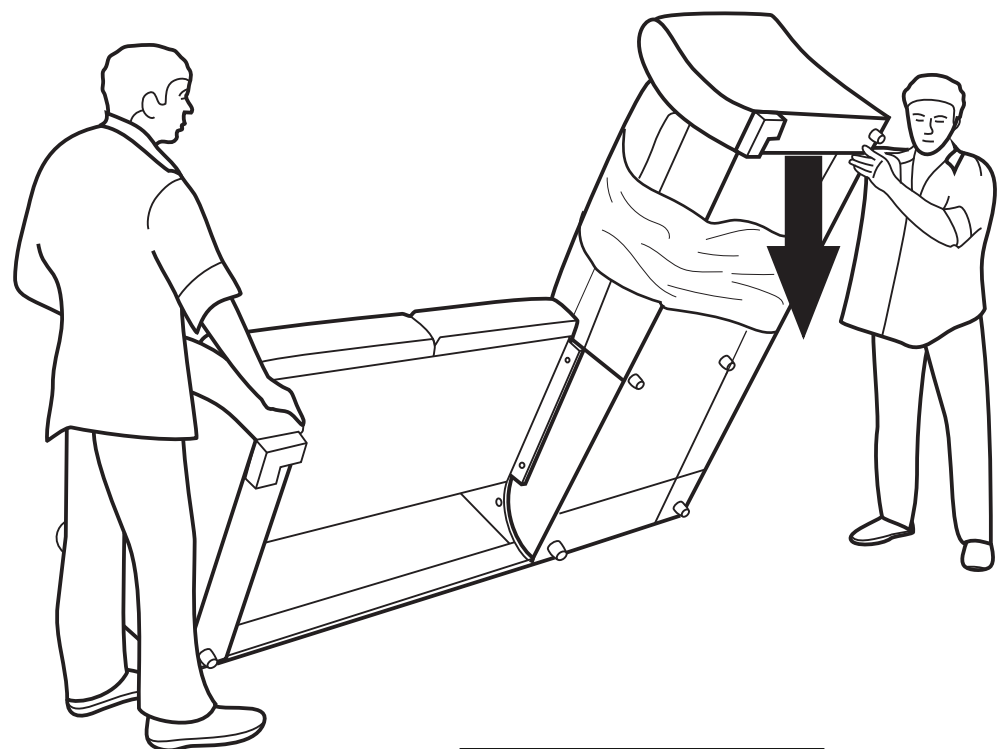


6

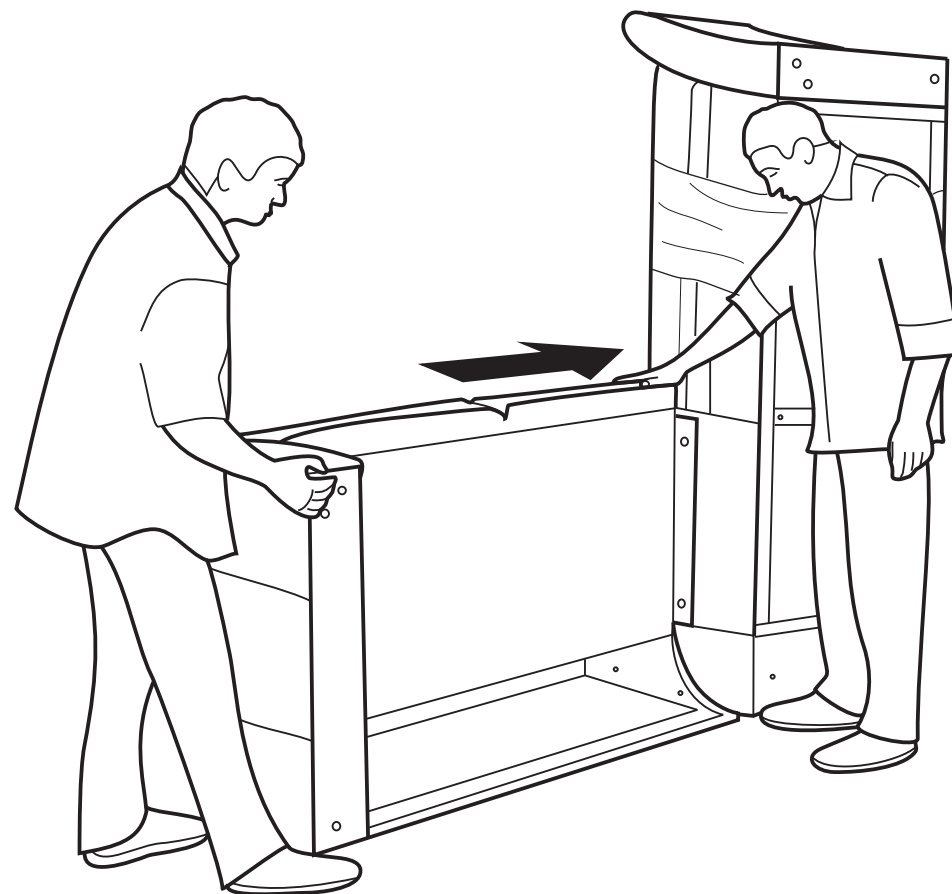




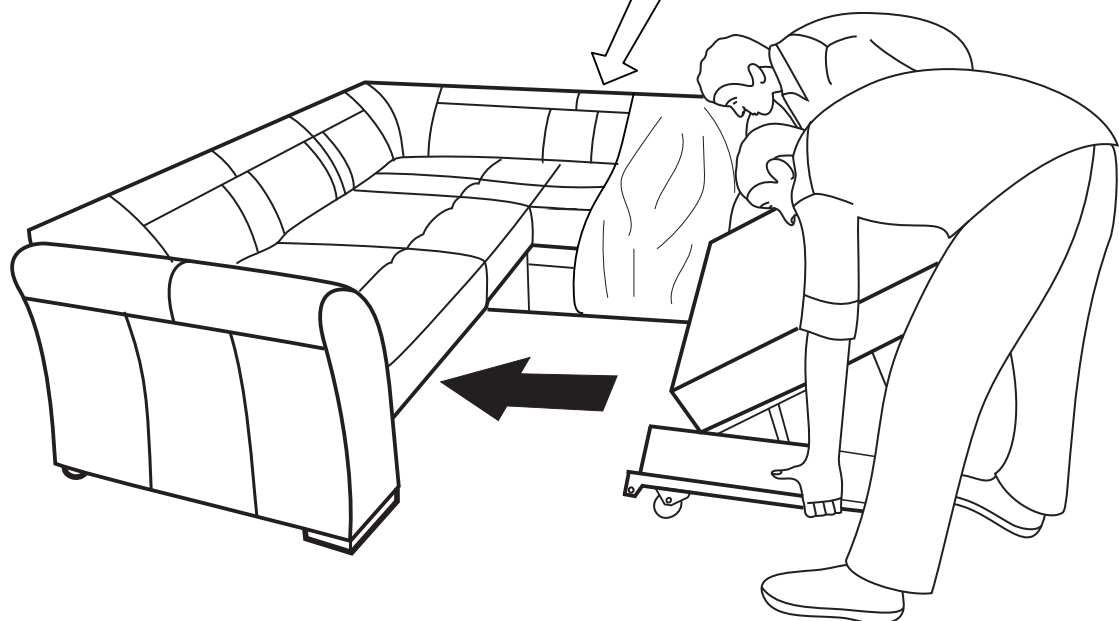
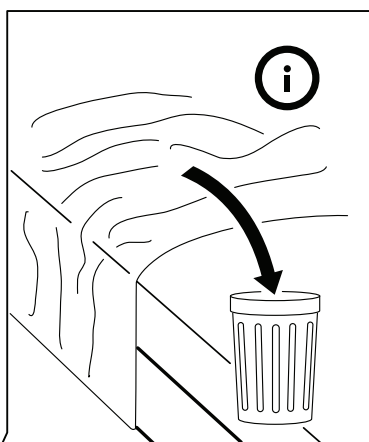
15



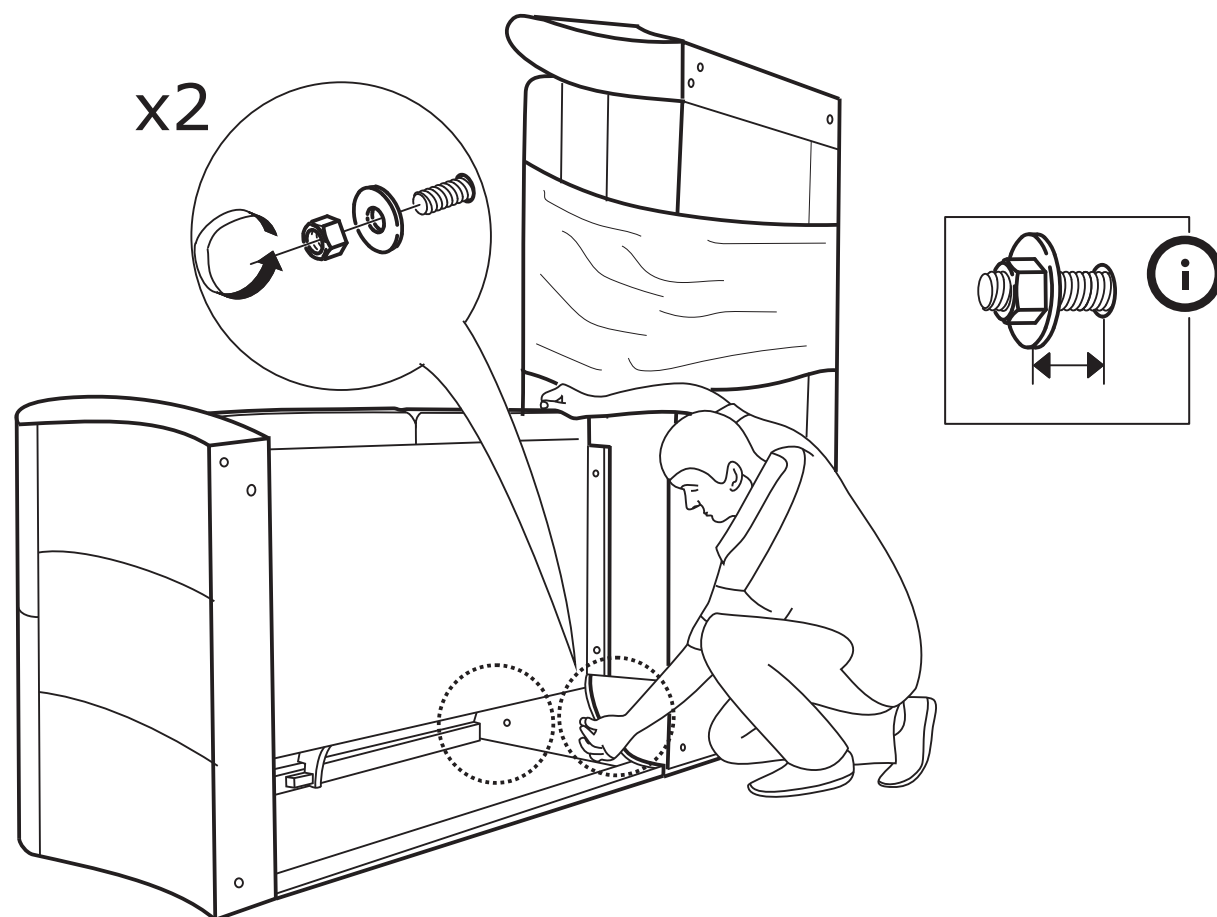
9



16

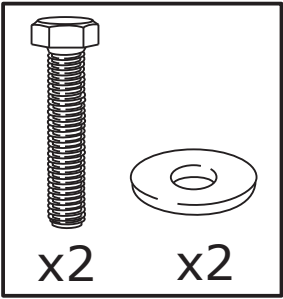
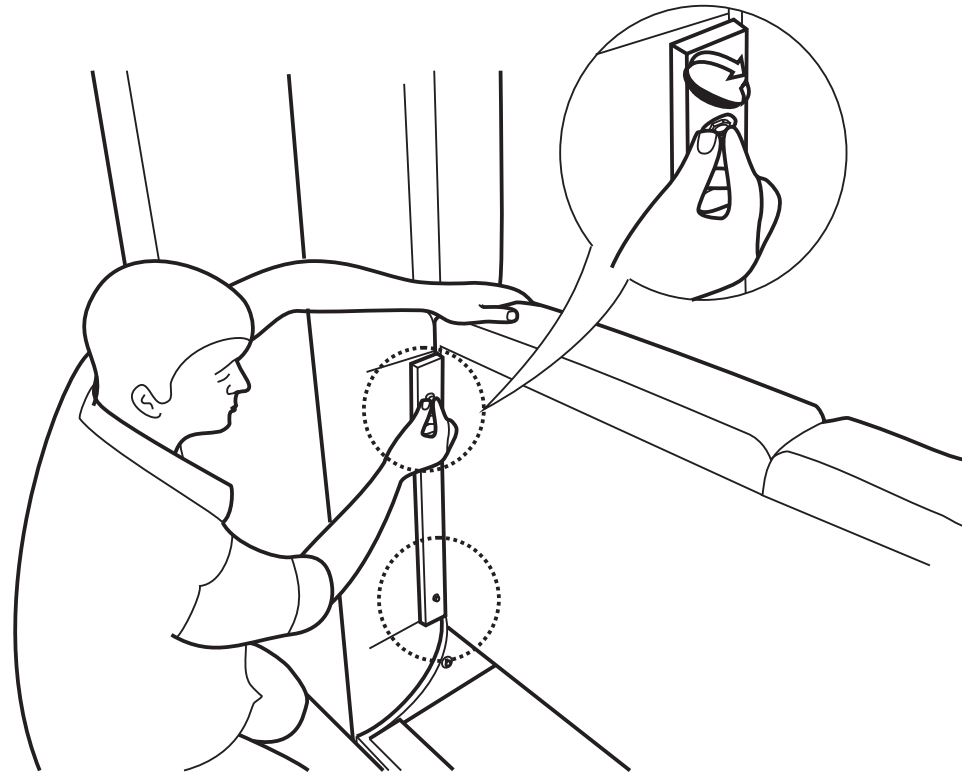
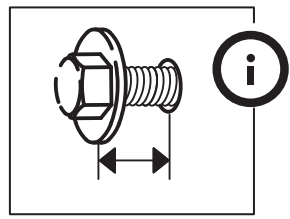


10



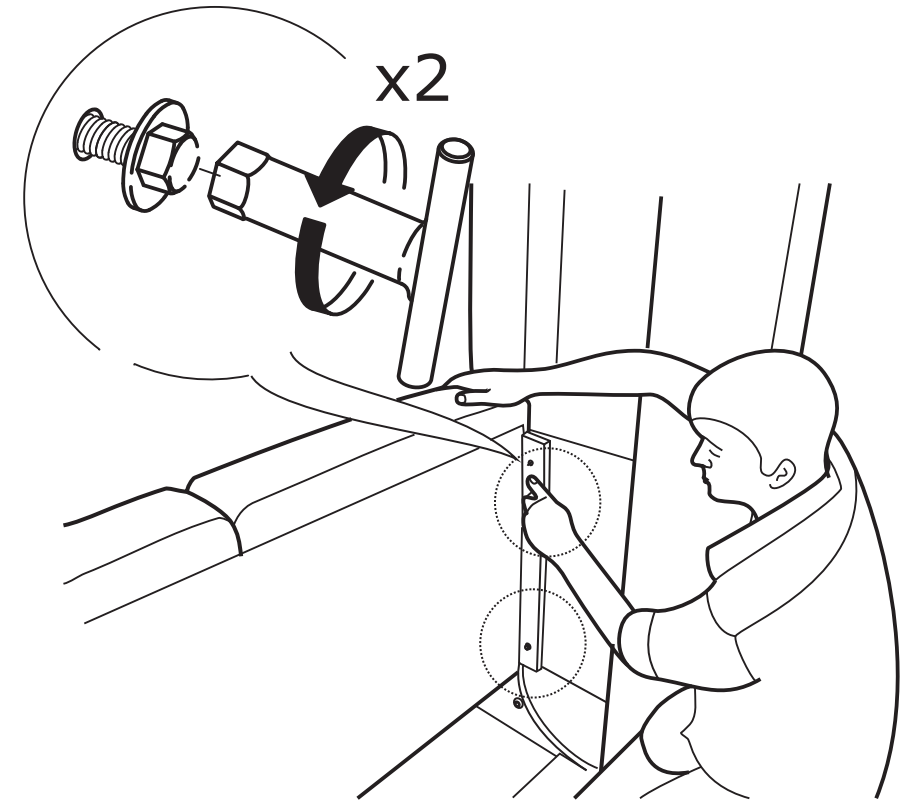
11

x2



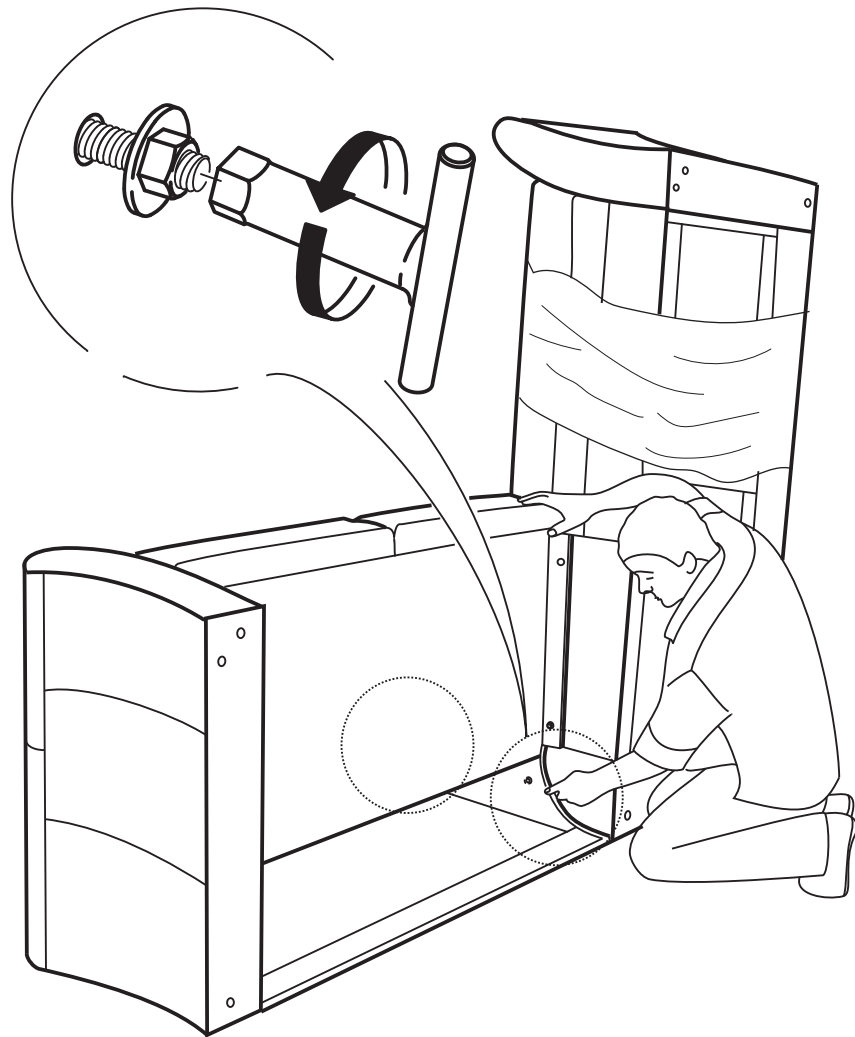
13

x2



12

x2



14

