

AQUA 240 ARGB

FEATURES

ENGLISH

- Fans & water block all support ARGB light connection
- Perfectly sync with the ARGB software of motherboard manufacturers
- Attached COUGAR fan is up to 2000 rpm, could support extreme cooling performance
- AMD TR4 mounting bracket inside
- Sleeved and extended tubing for optimized durability and reliability

DEUTSCH

- Fans & water block alle unterstützung ARGB light connection
- Perfekte sync mit der ARGB-software von motherboard-herstellern
- Befestigter COUGAR-lüfter ist bis zu 2000 u / min, könnte extreme kühlleistung unterstützen
- AMD TR4 montagehalterung innen
- Ummantelte und erweiterte verschlauchung für verbesserte beständigkeit und zuverlässigkeit

ESPAÑOL

- Los ventiladores y el bloque de agua apoyan la conexión de la luz ARGB
- Perfectamente sincronizado con el software de ARGB de los fabricantes de placas madre más populares
- El ventilador COUGAR acoplado es de hasta 2000 rpm, soportará un rendimiento de enfriamiento extremo
- Incluye soporte de montaje AMD TR4
- Tubos con mangas extralargos para mayor fiabilidad y durabilidad

PORTUGUÊS

- Os ventiladores e o bloco de água suportam conexão ARGB
- Perfeitamente sincronizado com o software ARGB dos fabricantes de placas-mãe
- Ventilador COUGAR acoplado é de até 2000 rpm, fornece um desempenho de resfriamento extremo
- Inclui o suporte de montagem para AMD TR4
- Tubulação com manga e estendida para mais durabilidade e confiabilidade

РУССКИЙ

- Вентиляторы и водный блок поддерживают подключение подсветки ARGB
- Отлично синхронизируется с программным обеспечением ARGB производителей материнских плат
- Вспомогательный вентилятор COUGAR поддерживает до 2000 оборотов в минуту, обеспечивая отличное охлаждение
- Монтажный кронштейн AMD TR4 входит в состав упаковки
- Трубочные и удлиненные трубки для повышения долговечности и надежности

- 팬 및 워터 블록에 모든 ARGB 라이트 연결을 지원합니다
- 마더 보드 제조업체의 ARGB 소프트웨어와 완벽하게 동기화합니다
- 부착된 COUGAR 팬은 최대 2000RPM이며 극한의 냉각 성능을 지원합니다
- 내부에 AMD TR4 설치용 브래킷이 있습니다
- 향상된 내구성 및 신뢰성을 위한 슬리브 및 연장 튜브

БЪЛГАРИЯ

- Подробни инструкции за употреба изгледете от: <https://cougargaming.com/bg>



България QR код

FRANÇAIS

- Ventilateurs et bloc d'eau tout support branchement de lumière ARGB synchroniser
- Parfaitement avec le logiciel ARGB des fabricants de cartes mères
- Le ventilateur COUGAR attaché jusqu'à 2000 rpm, pourrait supporter des performances de refroidissement extrêmes
- Support de montage AMD TR4 à l'intérieur
- Tubes étendus et à manchons pour une durabilité et une fiabilité accrues

POLISH

- Wentylatory i blok wody wszystkie wsparcie podłączenie światła ARGB synchronizacja z oprogramowaniem ARGB producentów płyt głównych
- Załączony COUGAR wentylator do 2000 obrotów, mogą wspierać ekstremalne wydajność chłodzenia wspornik montażowy
- AMD TR4 wewnątrz
- Rurki w oplocie i przedłużające dla większej trwałości i niezawodności

HUNGARIAN

- Ventilátorok és vízfelzerelés minden támogató ARGB fénykapcsolatt
- Keretes szintéz az ellenőrző gyártók ARGB szoftverjén
- A csatlakoztatott COUGAR ventilátor 2000 fordulát / perc sebességgel működik, támogathatja az extrém hűtési teljesítményt
- AMD TR4 rögzítő fék
- Tokban elhelyezett és kibővített csővezeték a fokozott tartósság és megbízhatóság érdekében

ITALIA

- Ventilatori e blocco acqua supporto collegamento luce ARGB sincronizzazione
- Perfetta con il software ARGB dei produttori di schede madri
- Il ventilatore COUGAR attaccato è fino a 2000 giri, potrebbe supportare prestazioni estreme di raffreddamento
- Staffa di montaggio AMD TR4 all'interno
- Tubi con manicotti ed estesi per una maggiore durata e affidabilità

日本語

- ARGB LEDを搭載したファンとウォーターブロック
- 各マザーボードのARGBソフトウェアに同期
- 搭載したCOUGARファンは最大2000 RPMで、優れた冷却性能を備えます
- AMD TR4マウントブラケット付き
- メッシュと長したデザインによって、耐久性と信頼性をアップしたチューブ

中文

- 风扇&冷头皆支援ARGB光效连接
- 与各主板厂商ARGB软件完美同步
- 随附风扇转速达2000转，可提供出色的冷却性能
- 内含AMD TR4脚位安装扣具
- 水冷管线的编织网与加长设计可提升耐用度与可靠性

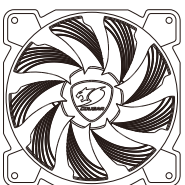
SPECIFICATIONS

Product Name	AQUA 240 ARGB
CPU Socket	Intel Socket LGA 775 / 1155 / 1156 / 1366 / 1200 / 2011 / 2066 (Core i3 / i5 / i7 / i9 CPU) AMD TR4 / AM4/FM2 / FM1 / AM3+ / AM3 AM2+ / AM2 CPU
Water Block & Pump	
Dimensions (WxDxH)	60 x 60 x 50 mm
Cold Plate Material	Copper
Pump Speed	3200 ± 10% R.P.M
Rated Voltage	12 VDC
Rated Current	0.39 A
Power Consumption	4.68 W
Connector	SATA & 5V RGB
Radiator	
Type	240mm
Dimension (WxDxH)	274 x 120 x 27mm
Material	Aluminum

Tubing	
Material	Durable Rubber with Sleeves
Length	400 mm
Fans	
Fan Model	VA120 ARGB
Fan Quantity	2
Dimensions (WxDxH)	120 x 120 x 25 mm
Bearing Type	Hydraulic bearing
Fan Speed	600-2000 ± 200 R.P.M
Air Flow	74.47 CFM (Max.)
Air Pressure	2.78 mm-H2O (Max.)
Acoustic Noise	39.55 dBA (Max.)
Rated Voltage	12 VDC
Rated Current	0.32 A
Power Consumption	3.36 W ± 10%
Cable Length	Fan power: 600 mm
Connector & Control	4 Pin PWM

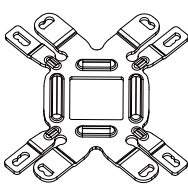
The above specifications may vary by country or region

INSTALL CONTENTS



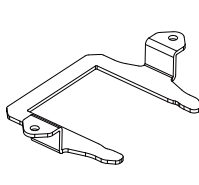
VA120 ARGB x 2

A



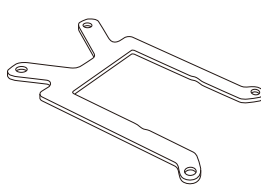
Backplate x 1

B



AMD Bracket x 1

C



AMD TR4 Bracket x 1

D



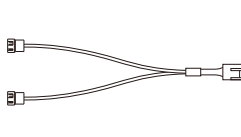
Backplate Screw x 4

E



Fan Screw x 8

F



1 to 2 Fan Splitter x 1

G



Nut x 4

H



Spacer x 4

I



Standoff x 4

J



Thermal Paste x 1

K



AMD Bracket Screw x 2

L



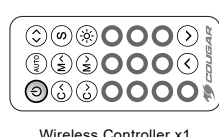
Screw x 4

M



Radiator Screw x 8

N

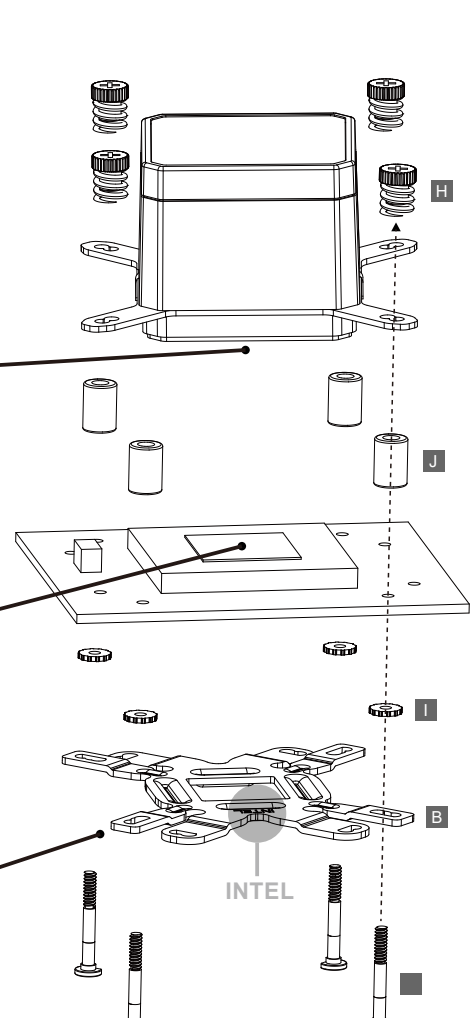
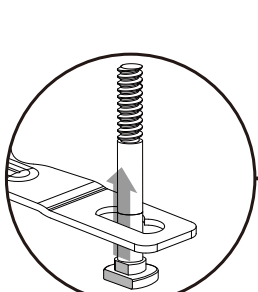
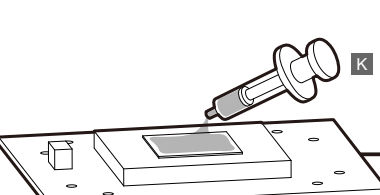
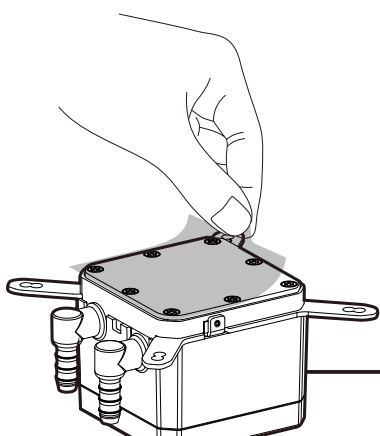


Wireless Controller x1

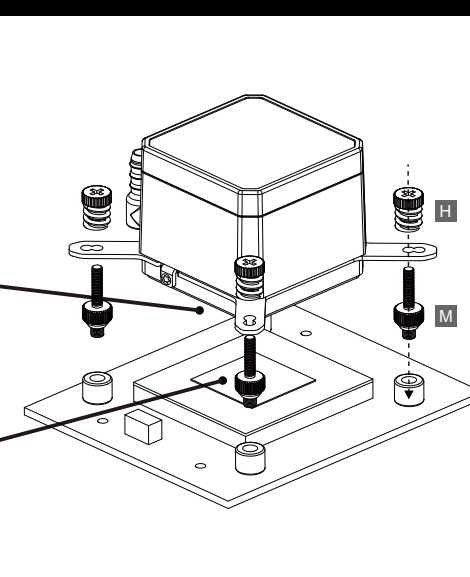
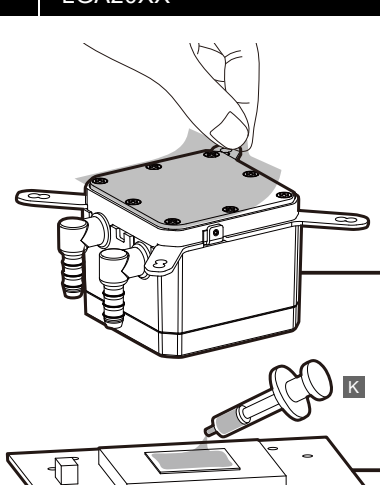
O

PREPARATION

Intel LGA115X / LGA1200 / 1366 / 775

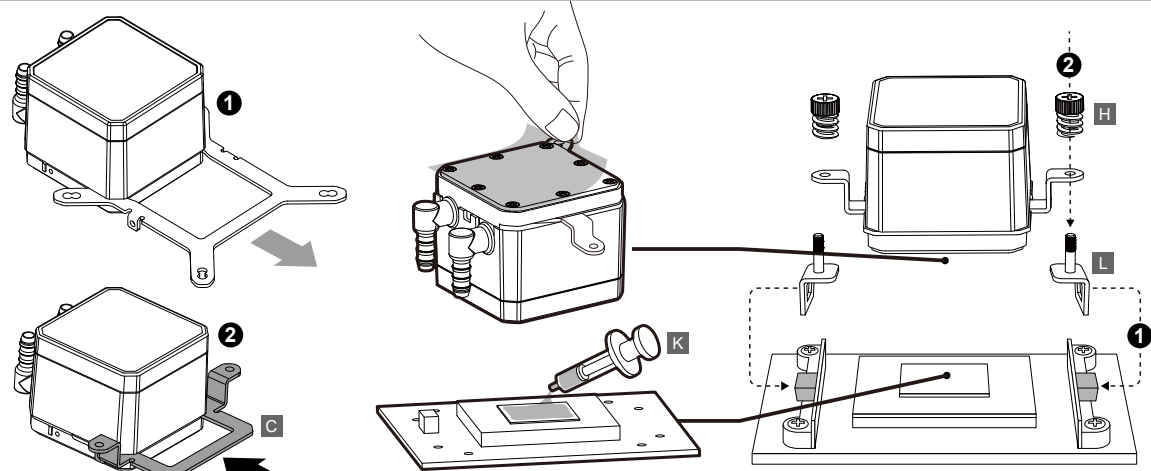


Intel LGA20XX

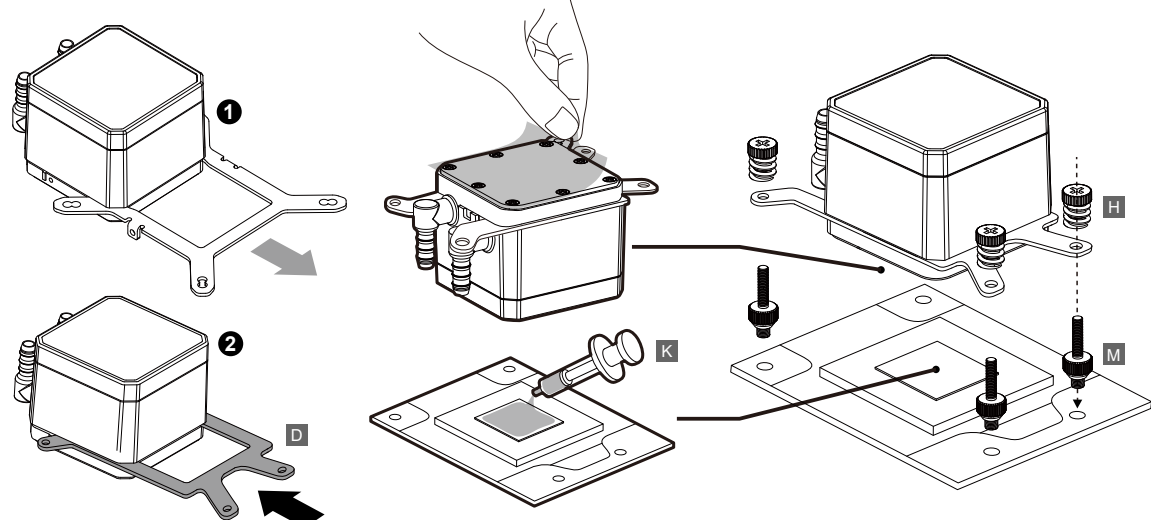


PREPARATION

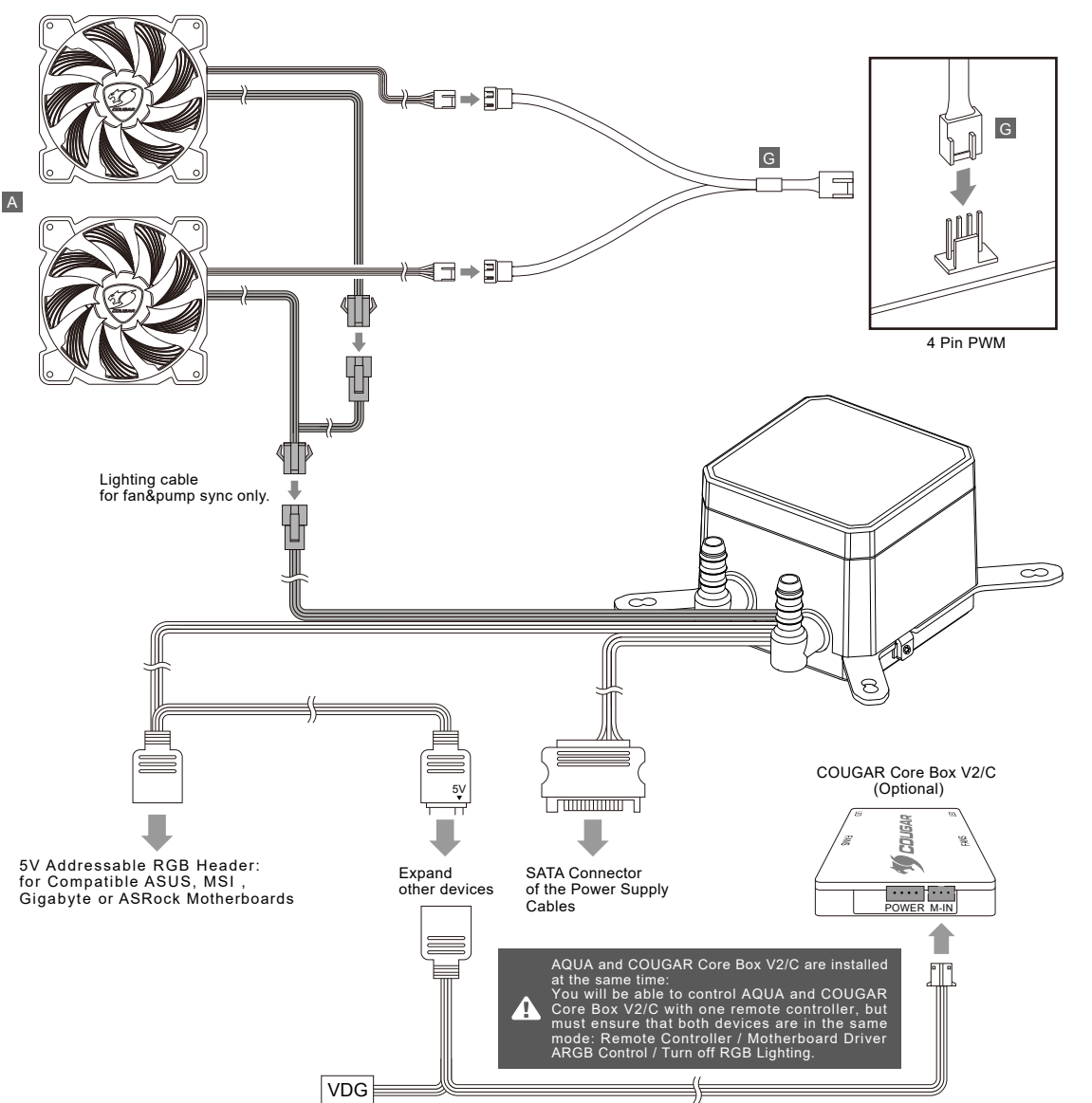
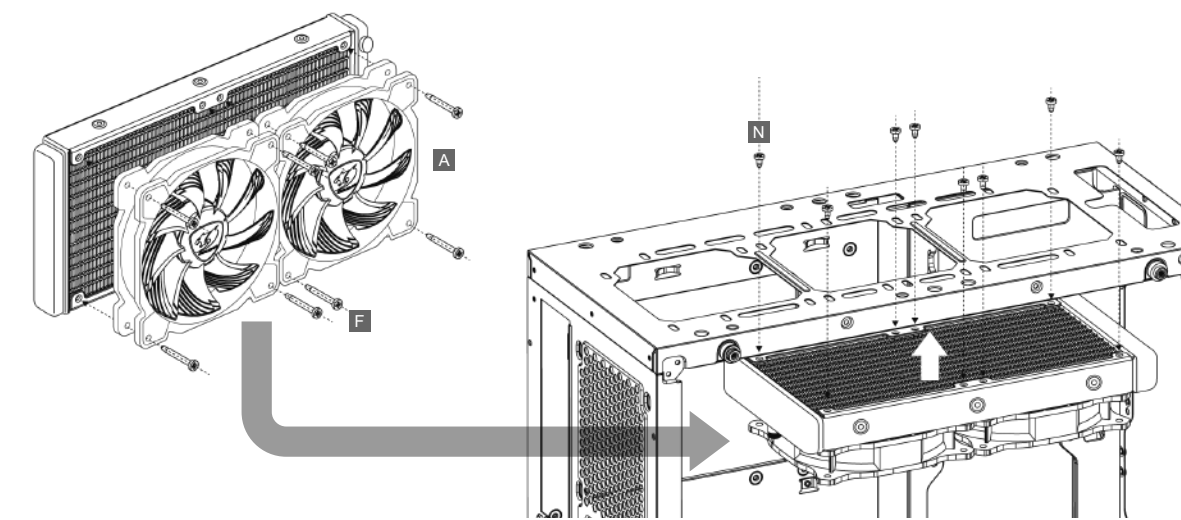
AMD



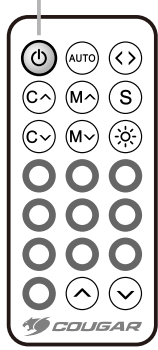
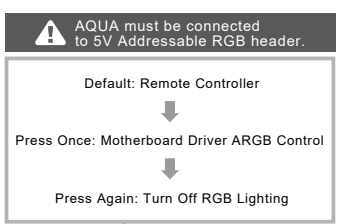
AMD TR4



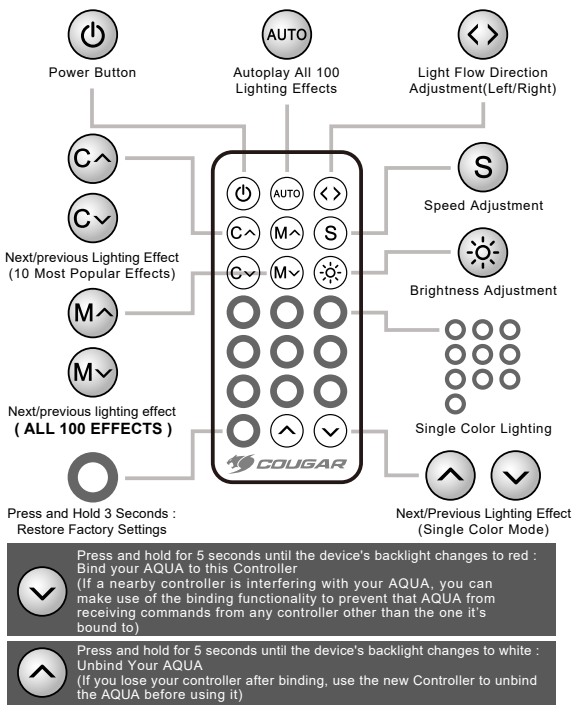
INSTALLATION



MODE SWITCHING



REMOTE CONTROLLER



PACKAGE CONTAINS

AQUA 240 ARGB x 1	VA120 ARGB x 2	Wireless Controller x1
Mounting Kit x 1	1 to 2 Fan Splitter x 1	User Manual x 1

GLOBAL WARRANTY POLICY

WARRANTY PERIODS OF COUGAR SERIES CPU LIQUID COOLERS
 Product : COUGAR AQUA ARGB series CPU LIQUID COOLERS
 Warranty : 5 Years
 This warranty gives you specific legal rights. You may also have other rights granted under local law. These rights may vary.

WARRANTY AGREEMENT
 If the product has defects in material or manufacture, COUGAR will provide product repair and replacement service within the warranty period.
 Our warranty service is based on the date of the invoice or warranty card (must be affixed with the store stamp).
 If you lose the aforementioned evidence, we will apply the original shipping date of the product as the beginning date of warranty period. The shipping date will be identified by the product number(S/N).

CONDITIONS WHERE FREE MAINTENANCE IS NOT PROVIDED
 Any fault or damage caused by natural disasters (including storm, fire, flood, thunder, earthquake, etc).
 Any fault or damage caused by accidental factors and man-made reasons (including hit, scrape, crash, moving, compression, stain, corrosion, use of incurred on unsuitable voltage, computer virus, riot, misuse, malicious damage, etc).
 Use in an improper operating environment (including high temperature, high humidity, water inflow, etc).
 Inability to provide the product warranty card, purchase receipt or invoice to prove the product is still within the warranty and the shipping date of the product is out of warranty.
 The warranty card or product serial number has been altered or its number is hard to identify.
 The warranty period has expired.
 Any fault or damage caused by non-compliance with regulations stated on the user manual or improper, rough and careless treatment.
 Any fault or damage caused by use of parts not certified by COUGAR manufacturer.
 The problem is caused by improper repair or adjustment by the buyer or any manufacturer without authorization from COUGAR.
 The product is not acquired from an authorized distributor of the company or is acquired from illicit sources.
 Paper carton, instruction and other accessories are not warranted.

DISCLAIMERS
 COUGAR product is not authorized for use as critical components in life support device or for incorrect application software or malfunction of the product.
 COUGAR is not liable for the death or damage of person or loss of property when product is using as, including but not limited to, medical equipment, military equipment, traffic equipment and disaster prevention system.
 COUGAR is not liable for any damages, expenses, lost data, lost revenues, lost savings, lost profits, or any incidental or consequential damages due to using defect product of COUGAR.
 If you have any question about the warranty, please feel free to contact us. Customer support: <https://cougargaming.com/support/contact/upload/>

LEGAL NOTICES

This manual was prepared, distributed or stored and may not be completely or partially copied, passed on, disseminated or stored without written consent by Compucase Enterprise.
 COUGAR® is a registered brand of Compucase Enterprise. Other product and company names mentioned in this documentation may be brands or trademarks of their respective owners.
 Compucase Enterprise reserves the right to make changes concerning the contents of the manual and the technical data of the product without previous announcement.

MANUFACTURER CONTACT

Compucase Enterprise Co.,Ltd.
 No. 225, Lane 54, An Ho Road Sec. 2 Tainan, Taiwan, R.O.C
 Tel:+886-6-356-0606

COUGAR USA Technical Service
 Tel: (833) 256-3778
 Mail: rma@compucaseusa.com

• 제품명 : AQUA 240 ARGB
 • 전파인증번호 : R-R-CEE-AQUAARGB
 • 제조사 : WEI CHANG XING ELECTRONICS (SHENZHEN) CO., LTD. /중국
 • 수입판매처 : ㈜주거코리아
 • 제조년월 : 별도표시
 • A/S문의처 : 070-7443-7754

ДАТА ИЗГОТОВЛЕНИЯ ПРОДУКЦИИ
 год и месяц изготовления продукции указаны в серийном номере продукта. (существует 2 способа определения даты изготовления, оба способа описаны ниже)

A После S/N: первые две цифры означают год, вторые две – месяц изготовления. Например, S/N: H170200001 означает, что товар был произведен в феврале 2017 года.

B После S/N: первые две цифры означают год, две буквы, следующие две цифры – месяц изготовления. Например, S/N: DAG02REV1000001 означает, что товар был произведен в феврале 2017 года.

A	B	C	D	E	F	G	H	I	J
1	2	3	4	5	6	7	8	9	0

• Например, AG = 17 = 2017 год