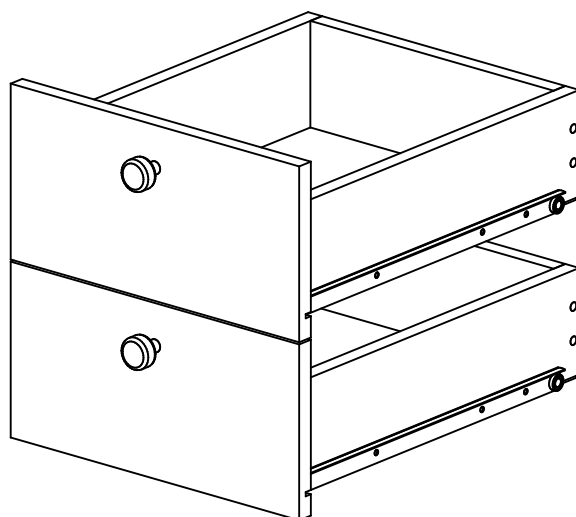
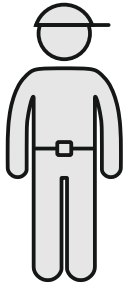


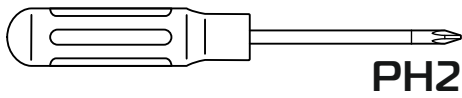
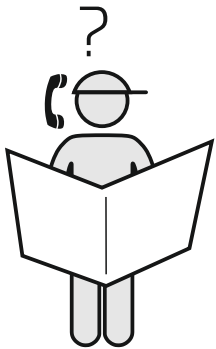
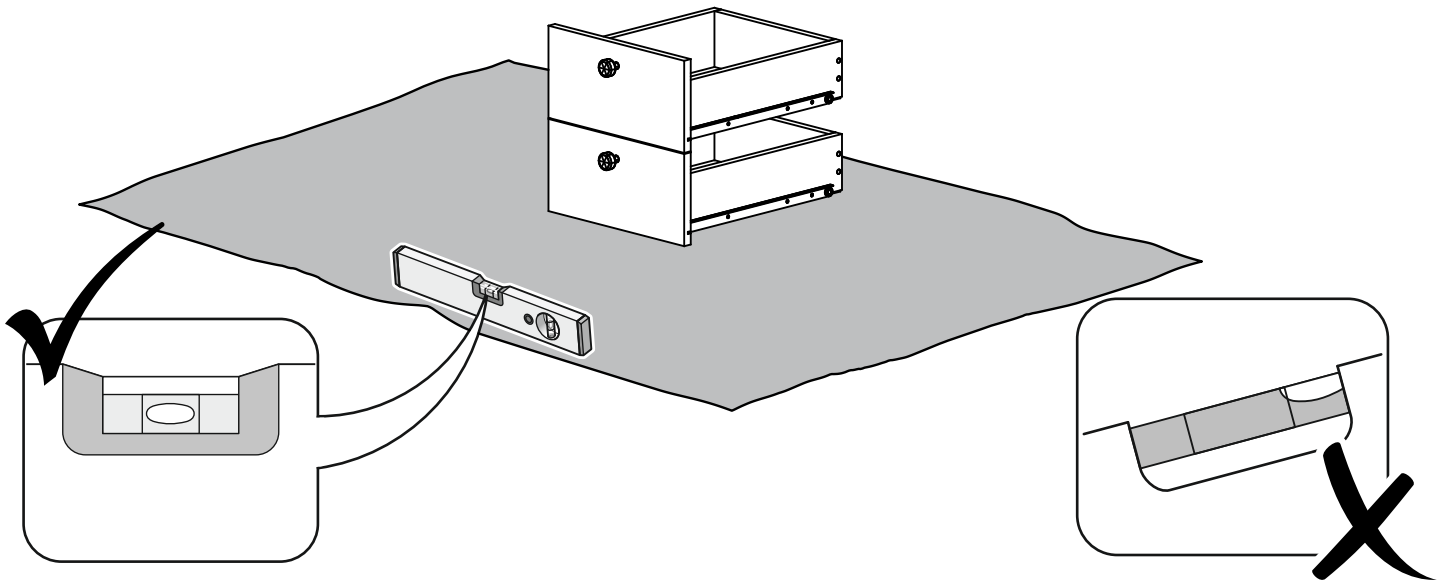
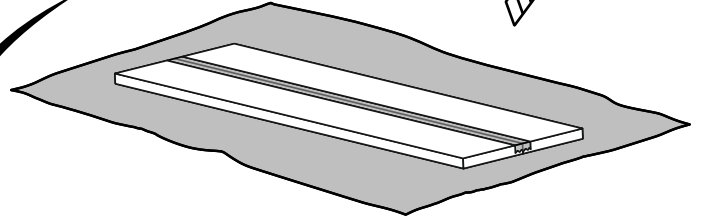
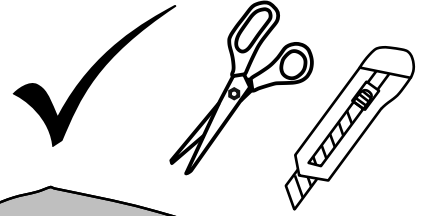
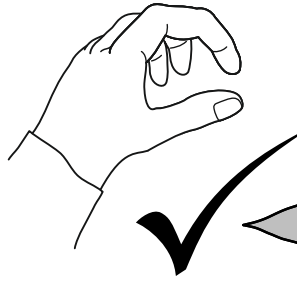
# ПРАЙМ

# PRAIM

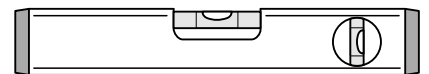
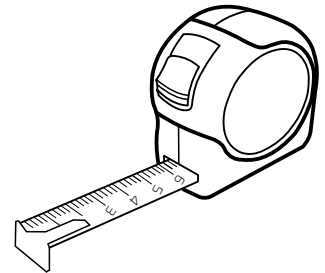
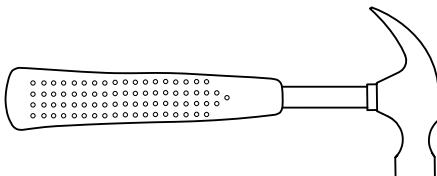


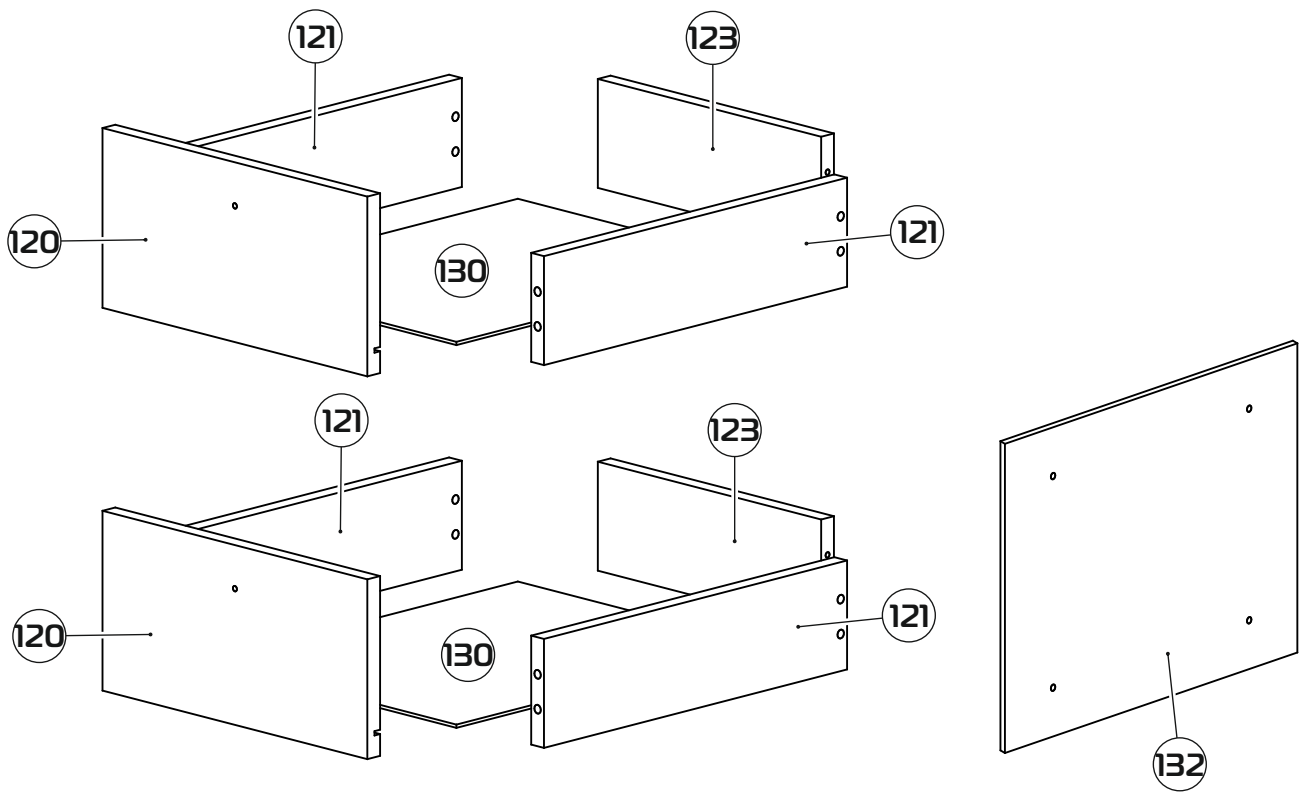


30-45 min



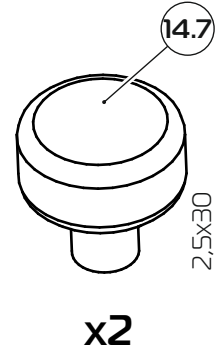
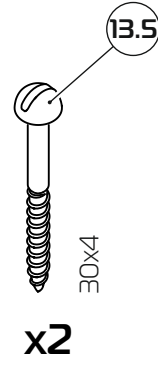
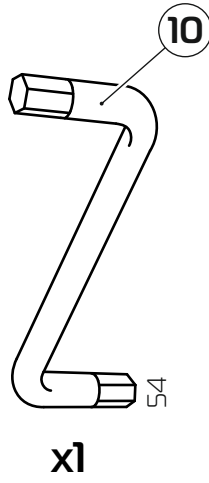
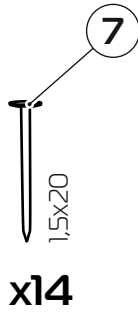
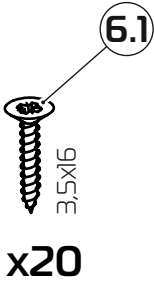
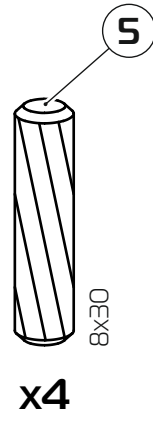
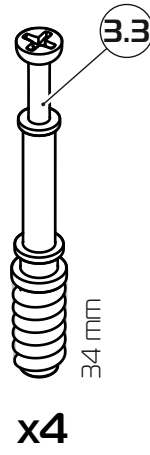
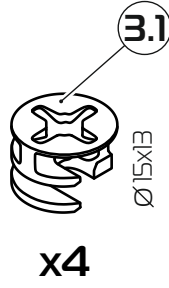
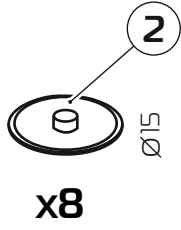
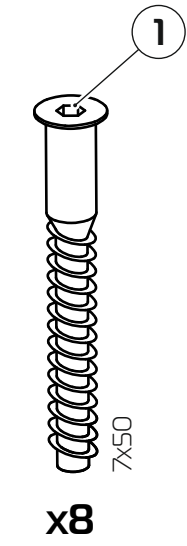
PH2



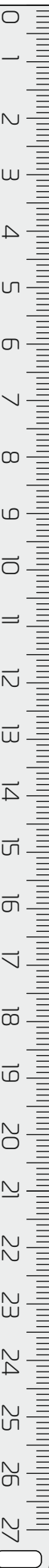
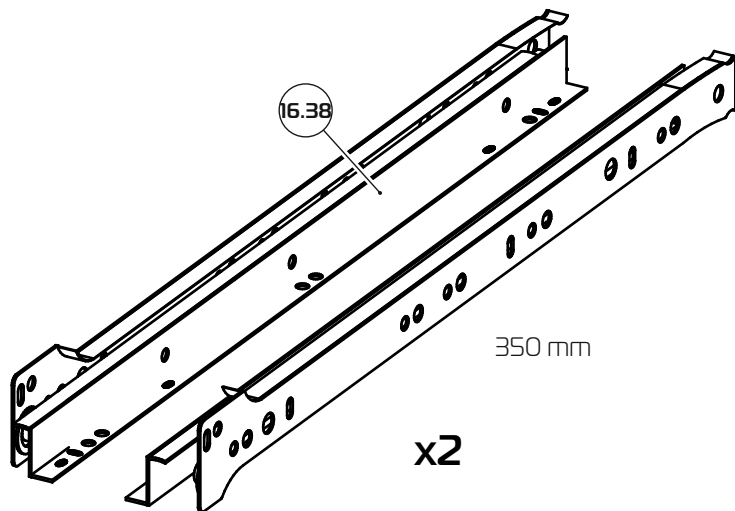


- ①20 332x165x16 (x2)
- ①21 380x100x16 (x4)
- ①23 280x100x16 (x2)
- ①30 308x385x3 (x2)
- ①32 334x244x3 (x1)

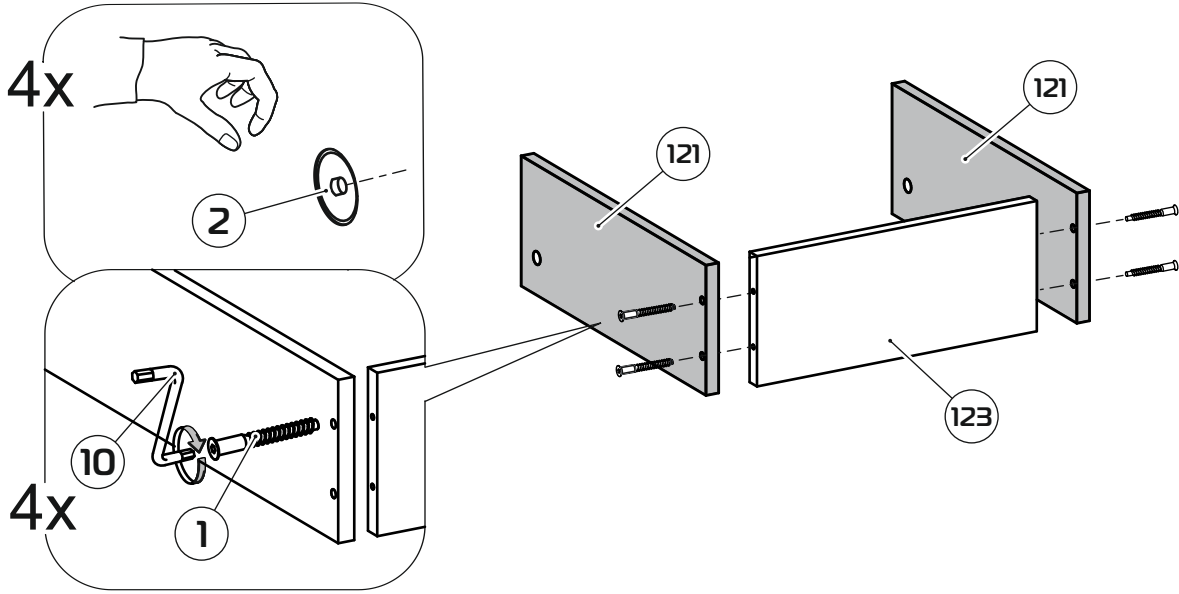
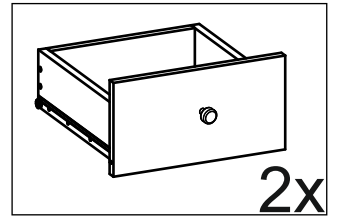
1:1



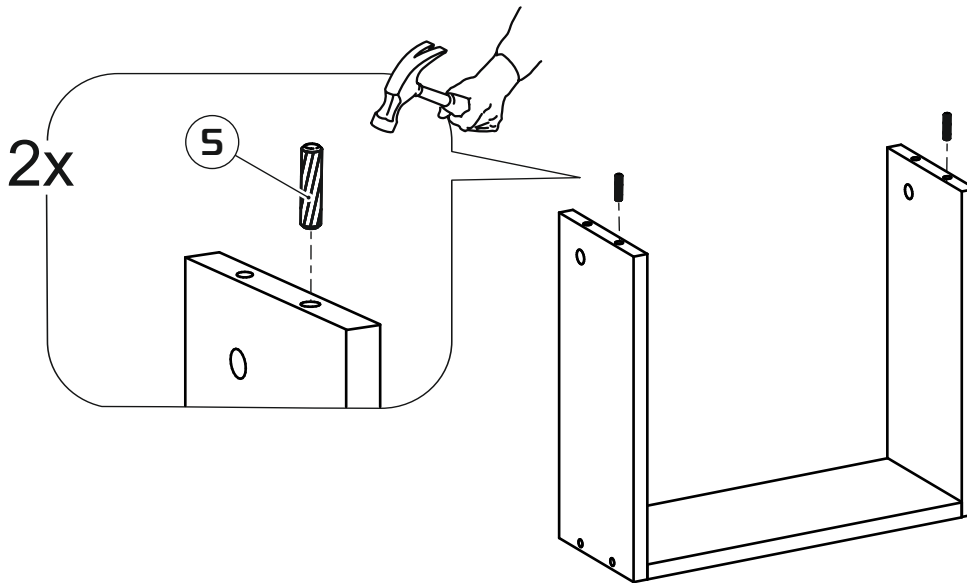
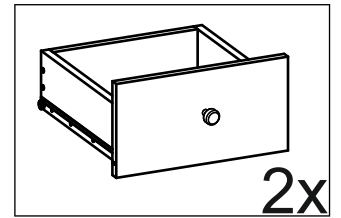
1:2



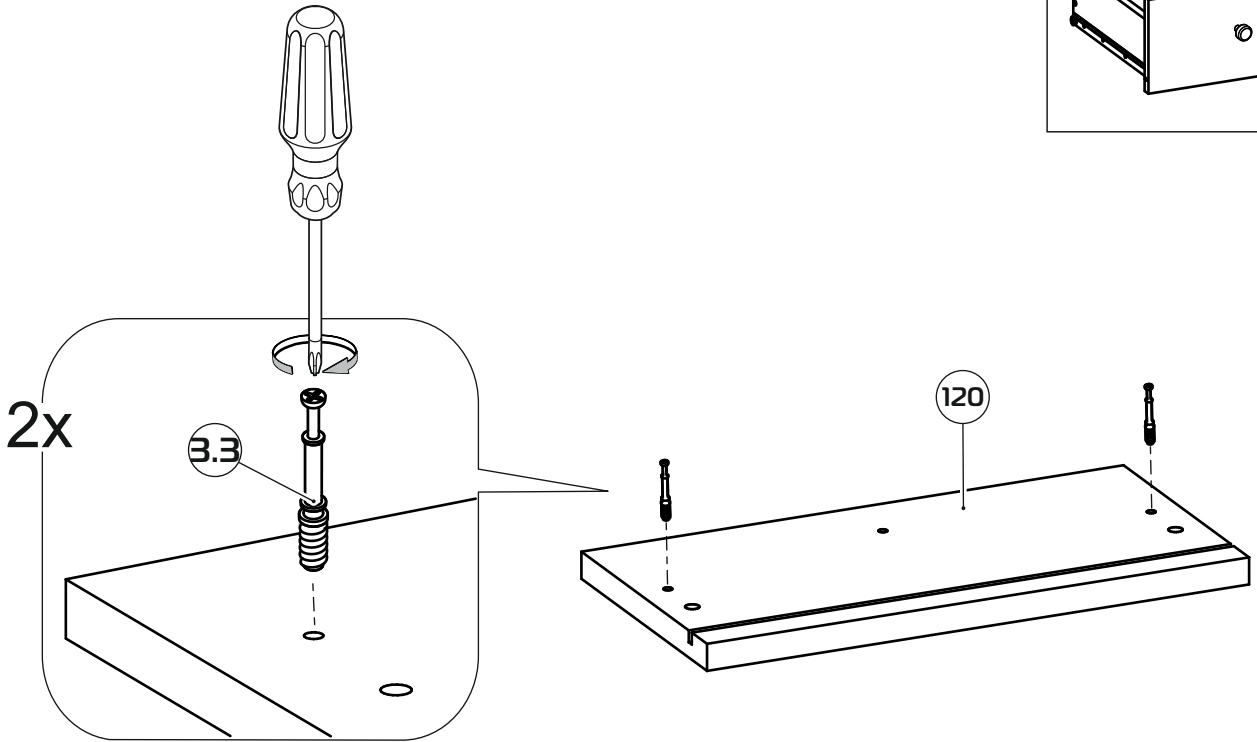
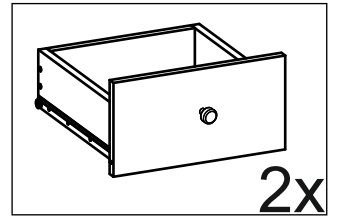
# 1



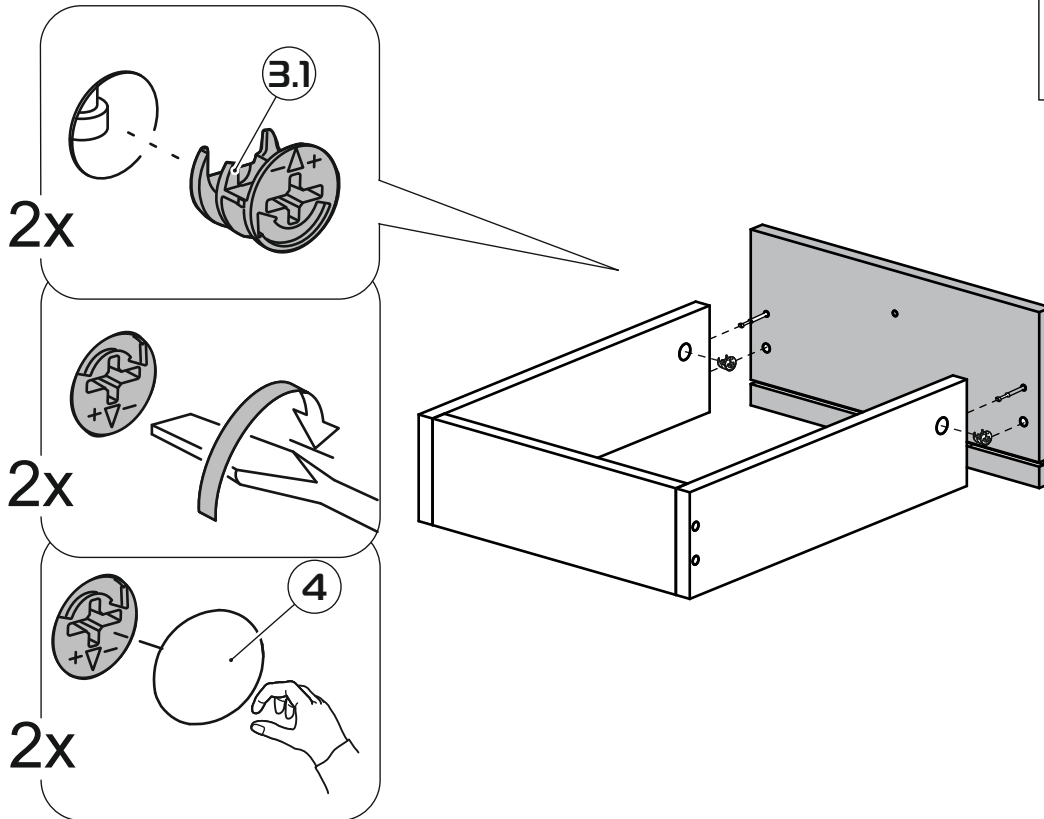
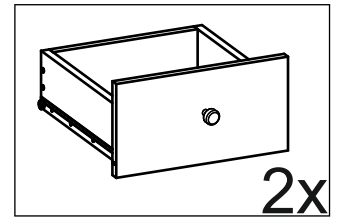
# 2



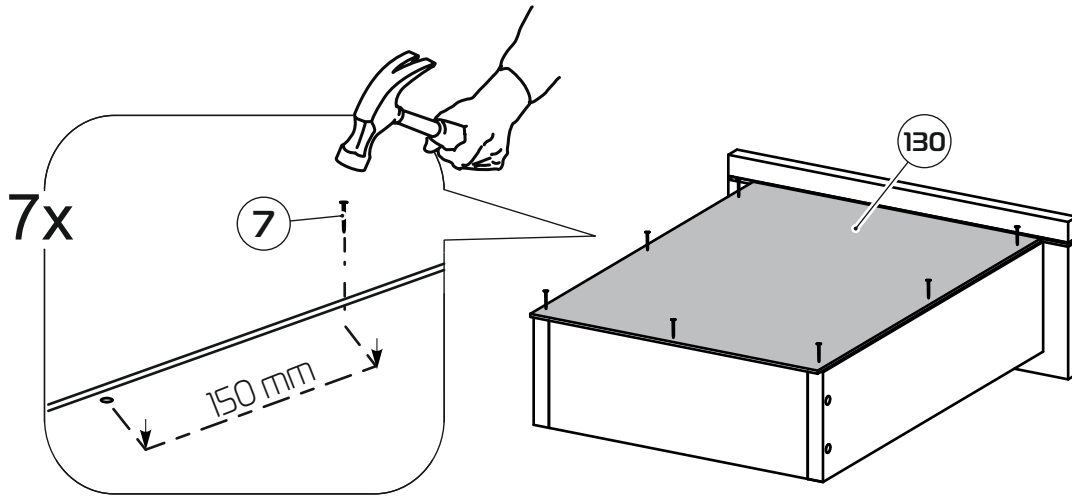
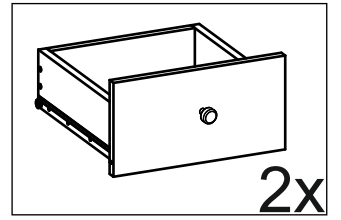
3



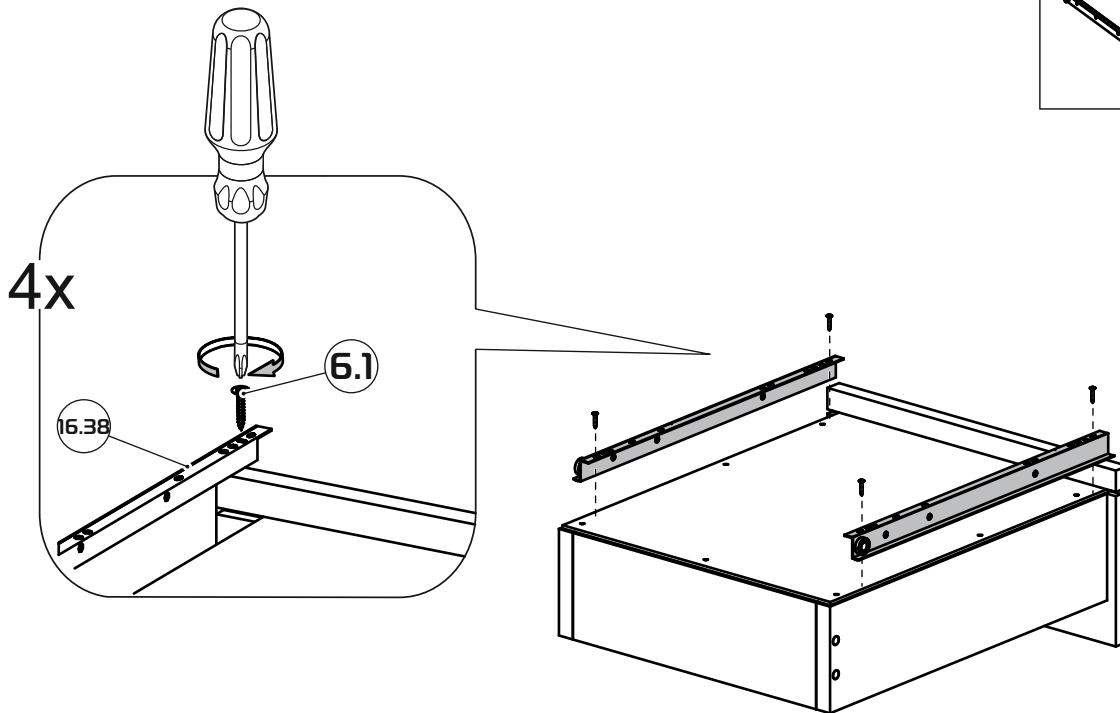
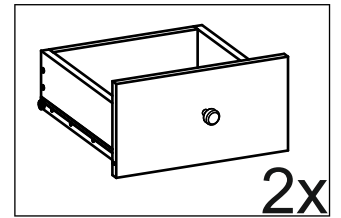
4



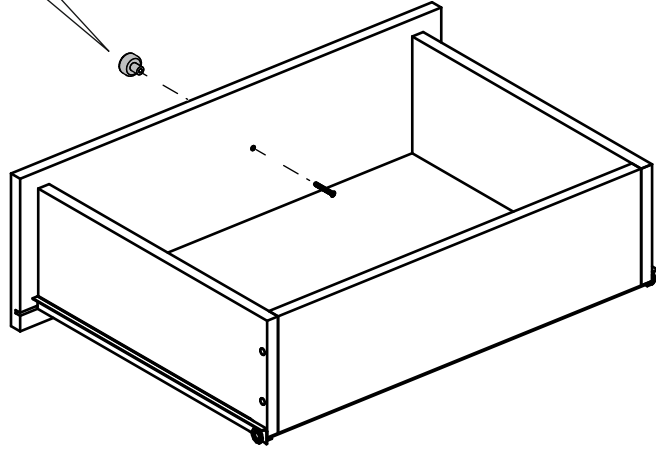
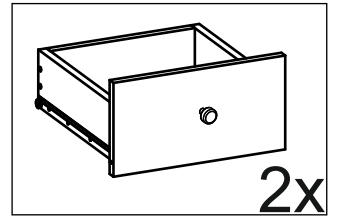
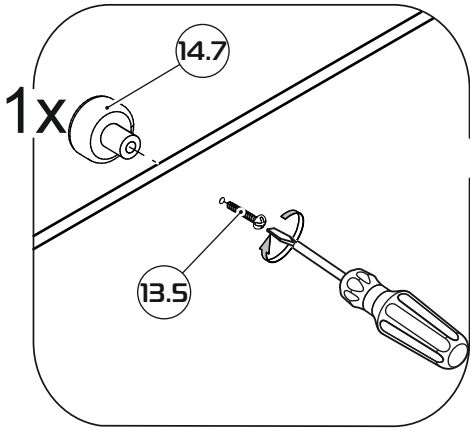
# 5



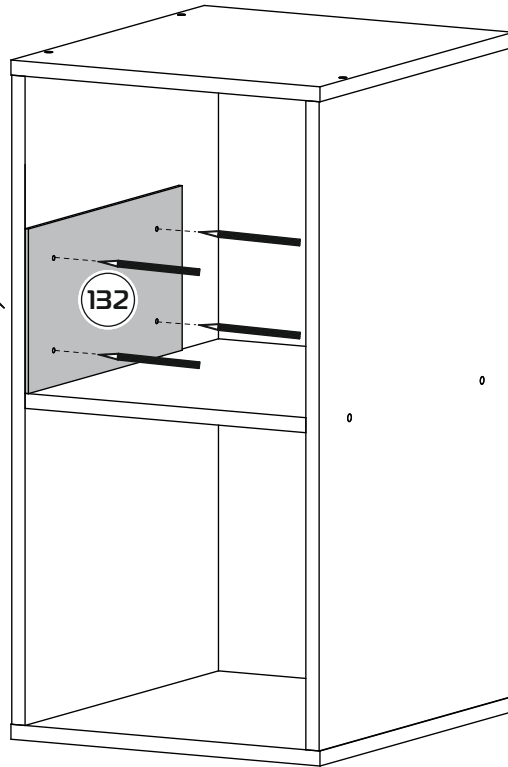
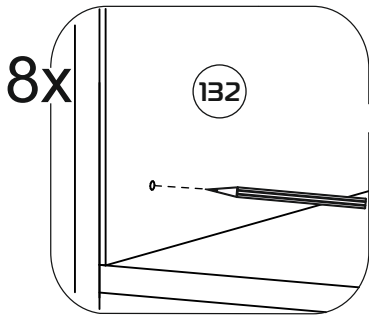
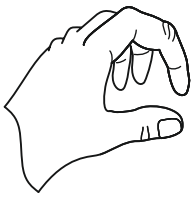
# 6



# 7

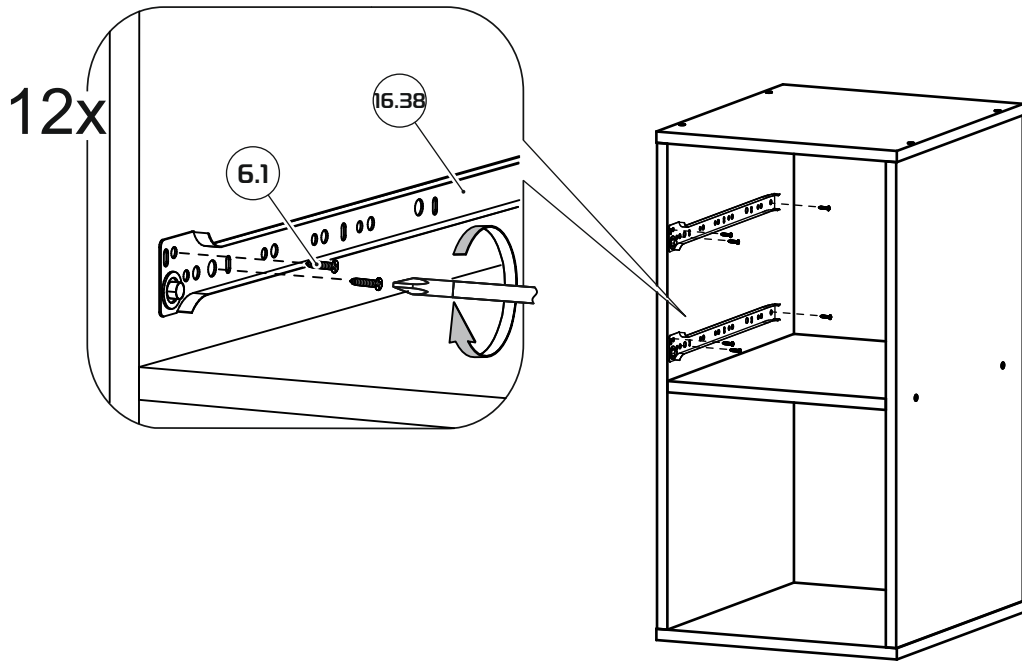


# 8





# 9



# 10

