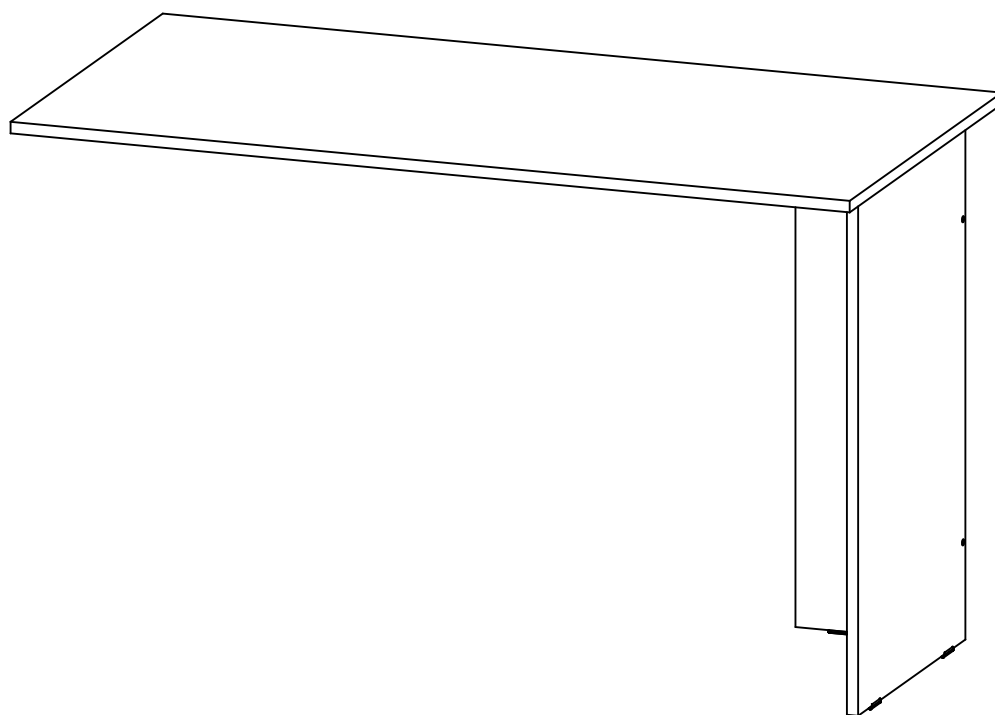
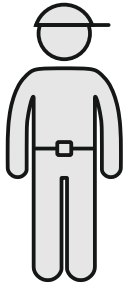


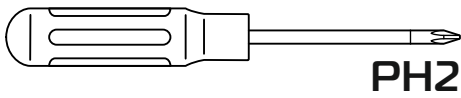
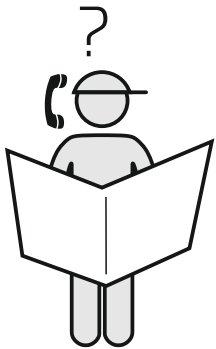
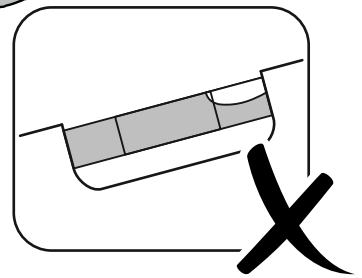
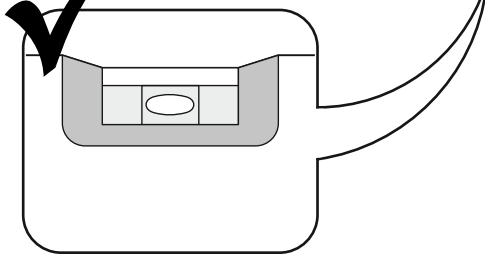
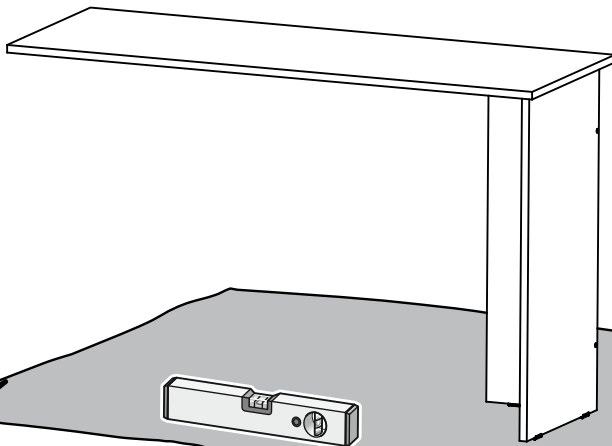
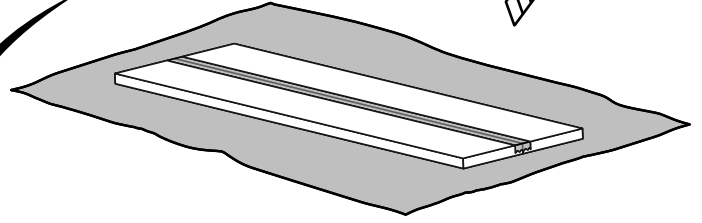
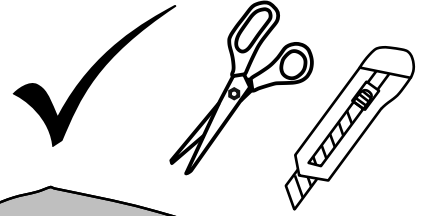
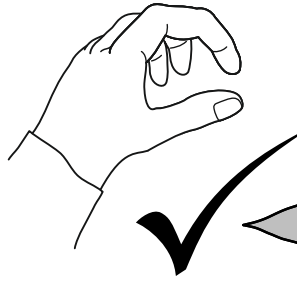
ПРАЙМ-12

PRAIM-12

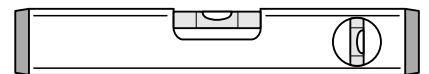
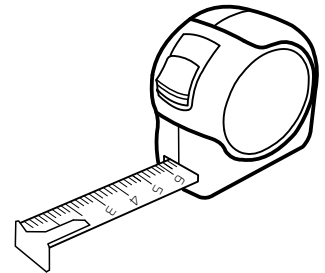
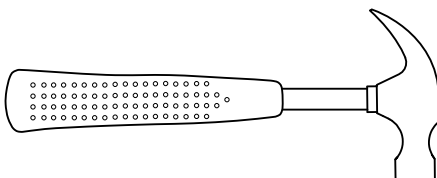


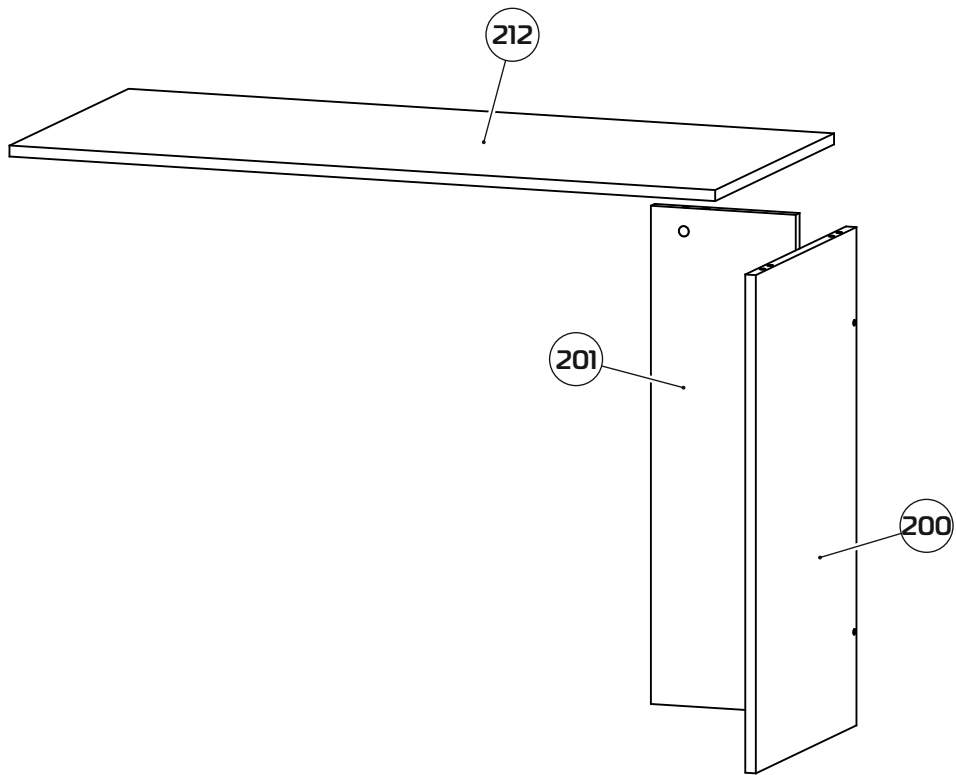


15-30 min



PH2



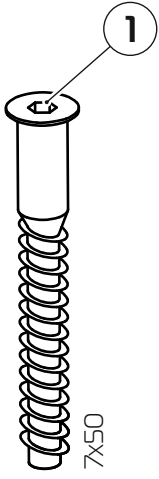


212 1196x596x16 (x1)

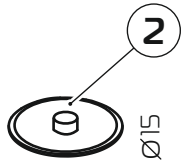
200 722x420x16 (x1)

201 722x220x16 (x1)

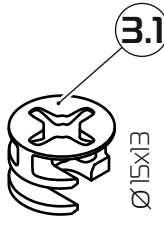
1:1



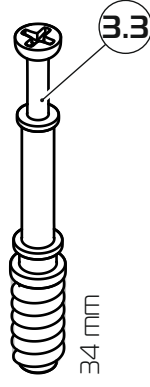
x2



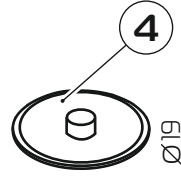
x2



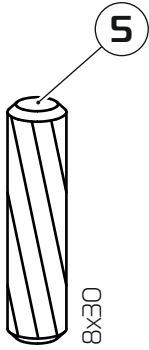
x3



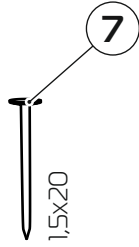
x3



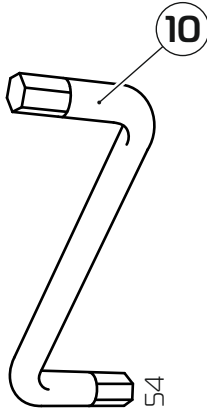
x3



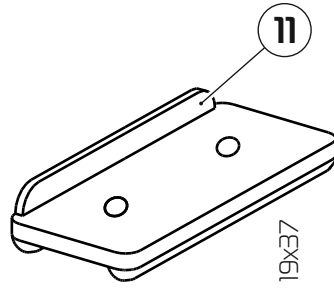
x3



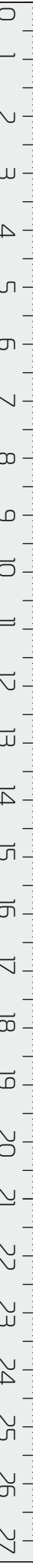
x6



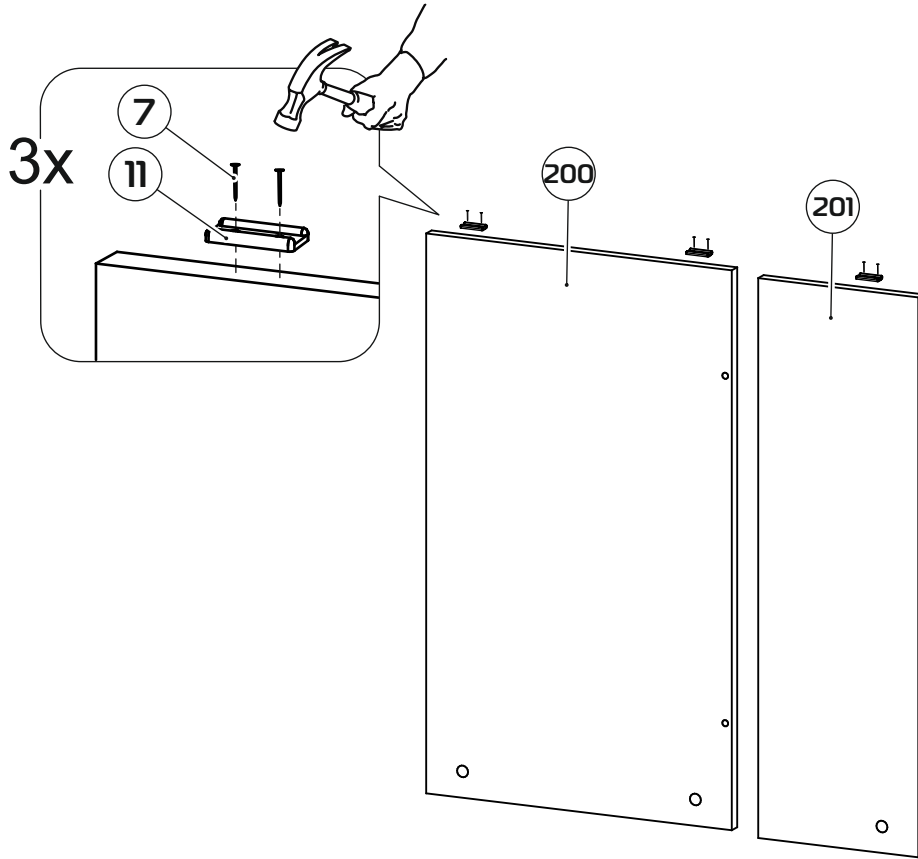
x1



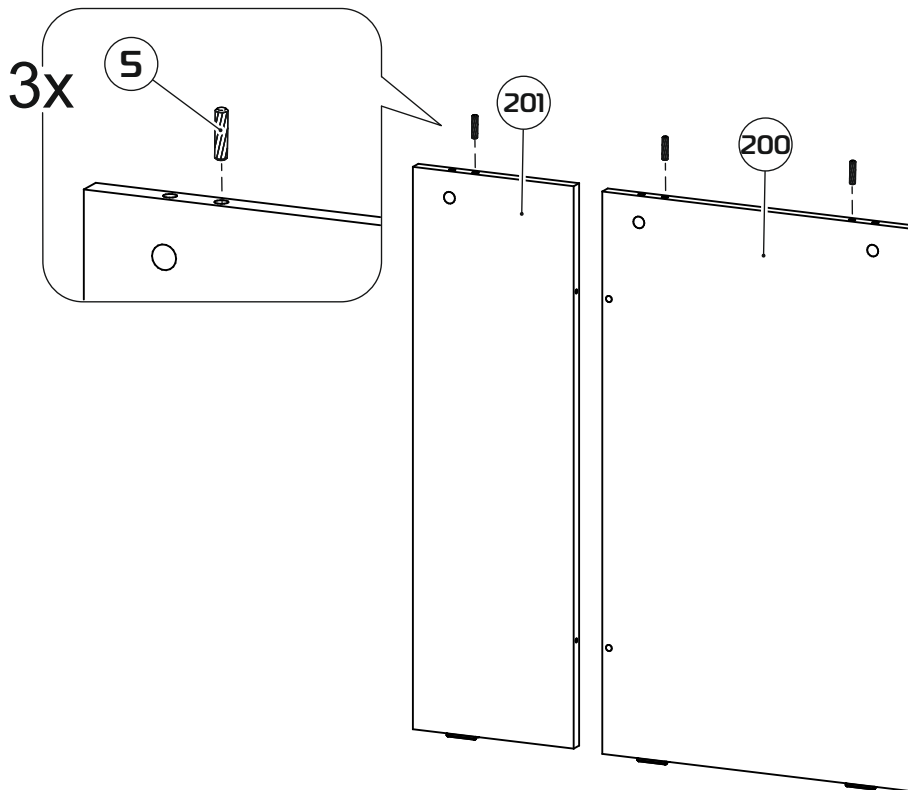
x3



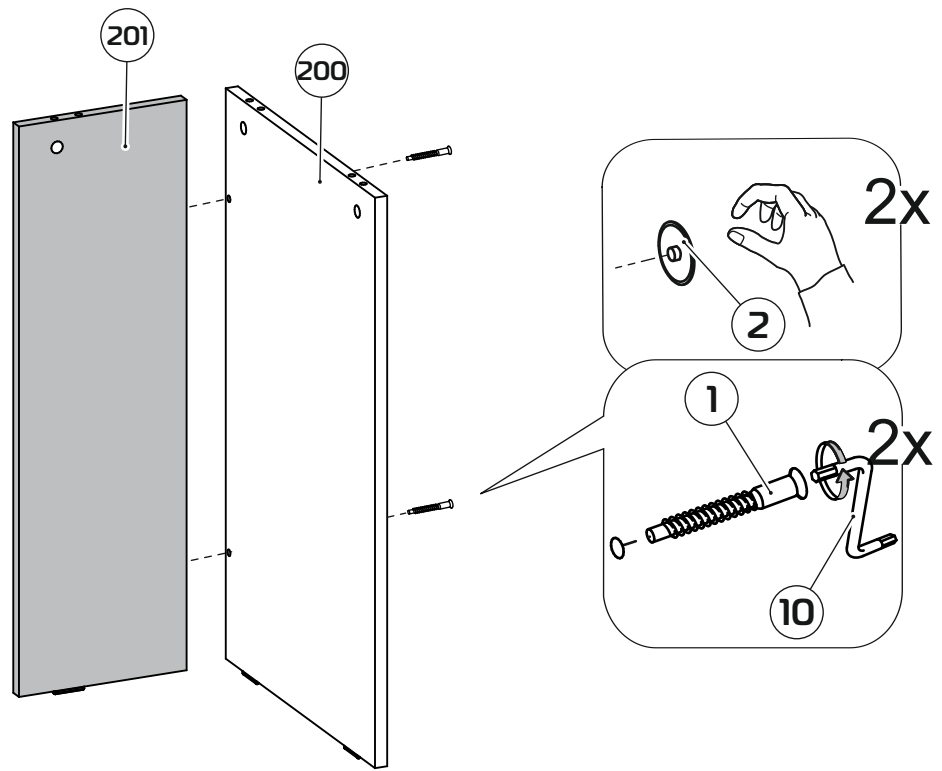
1



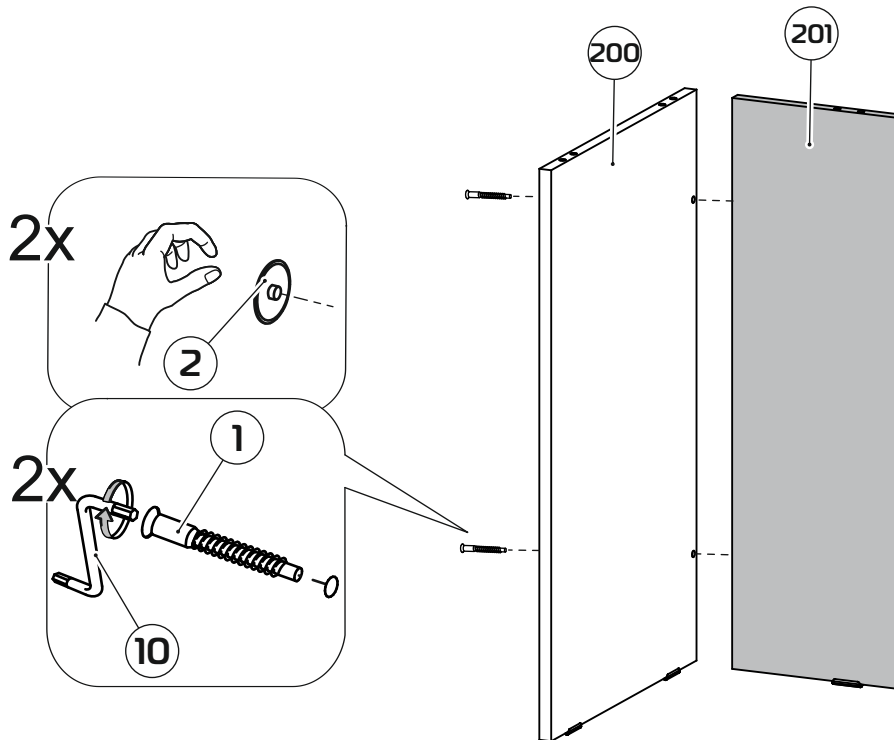
2



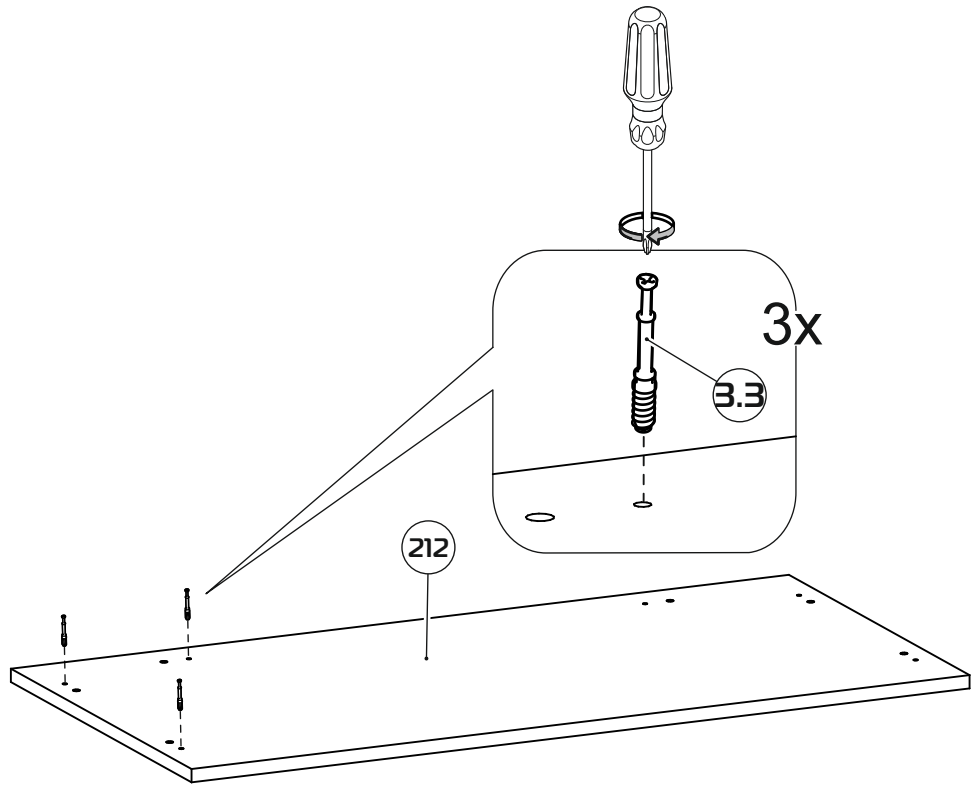
3a



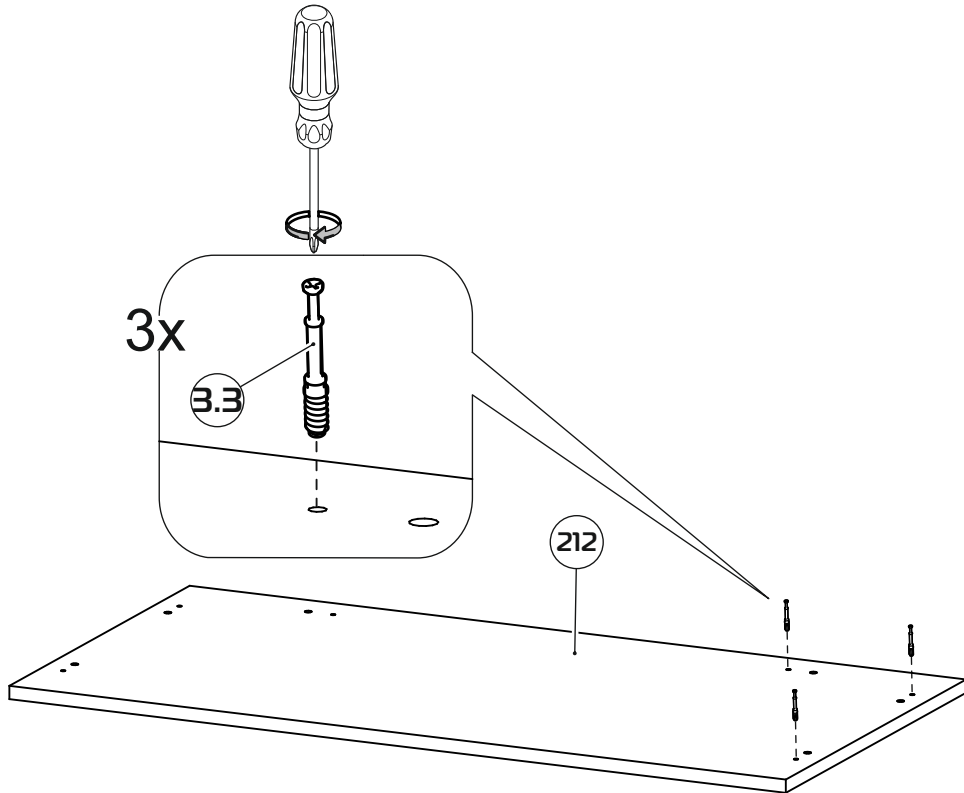
3b



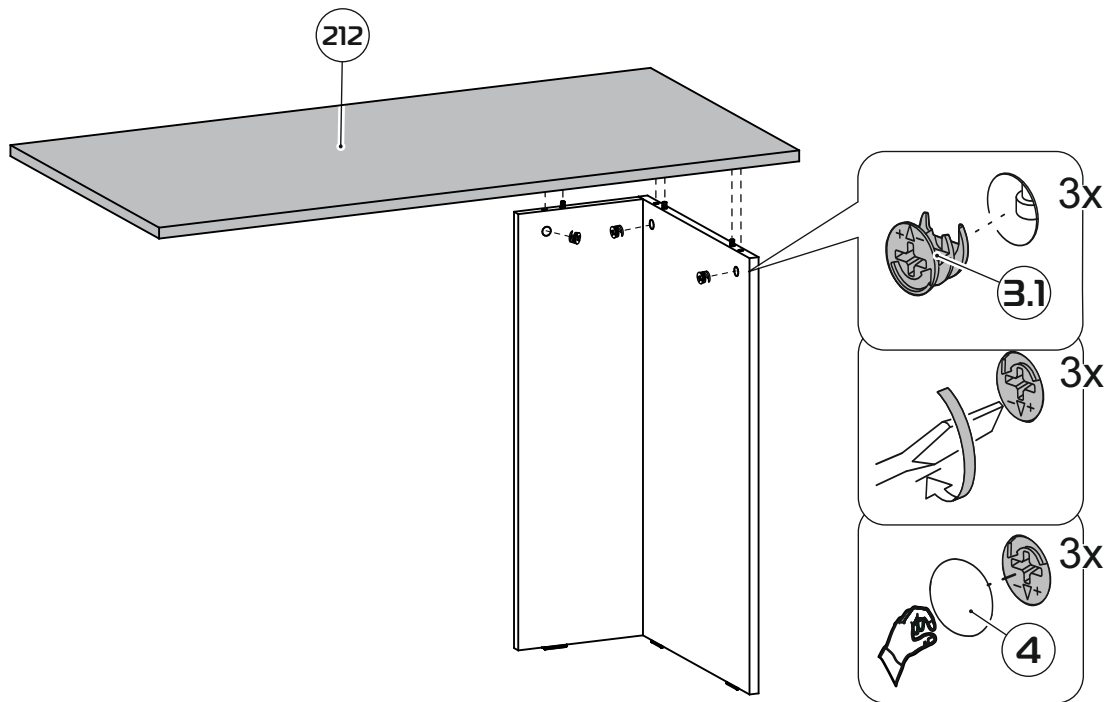
4a



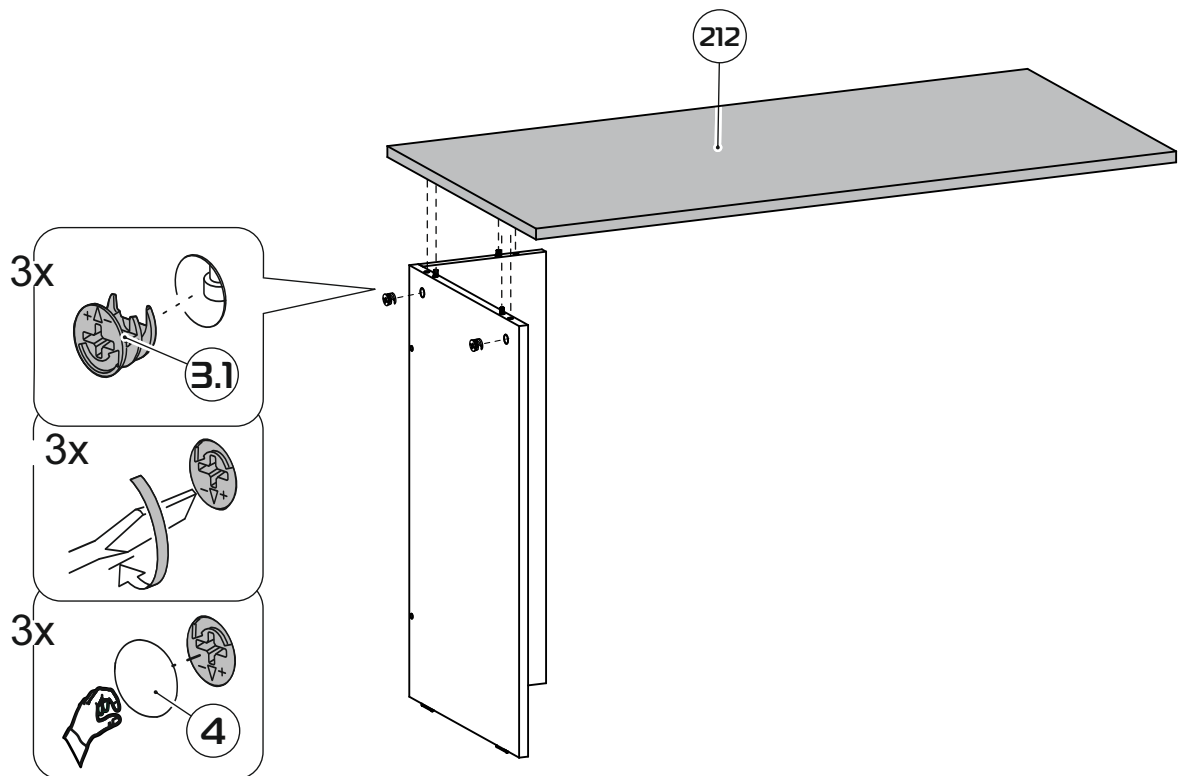
4b



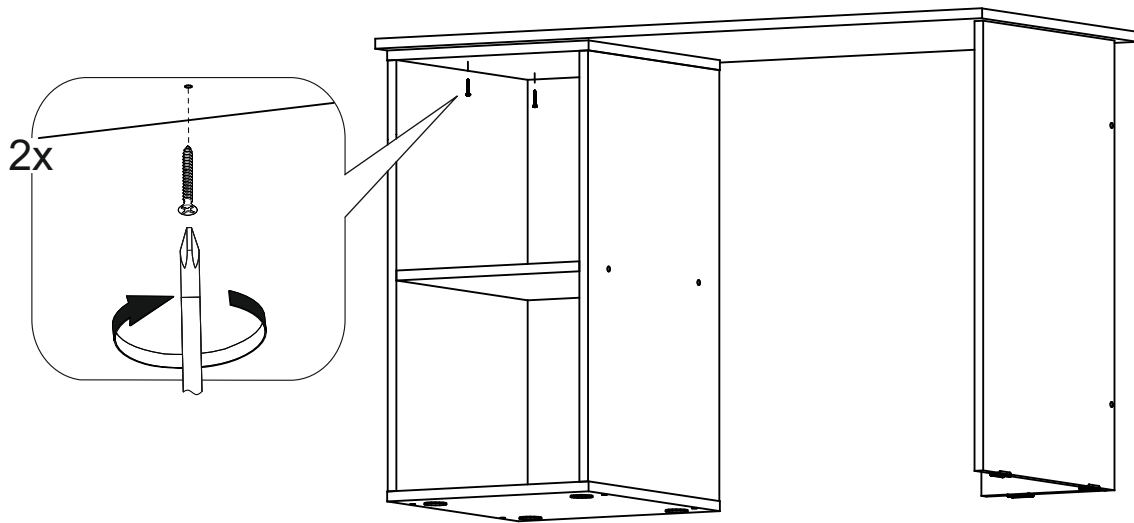
5a



5b



6a



6b

