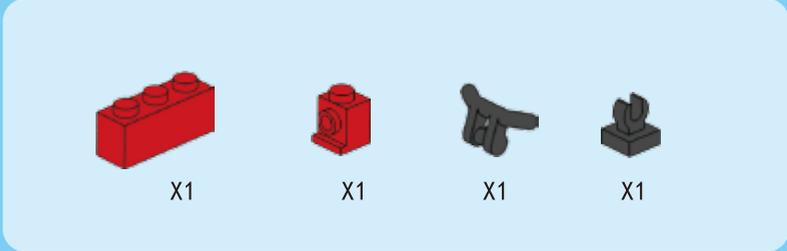
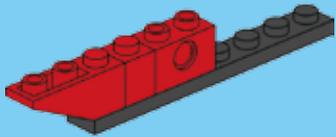
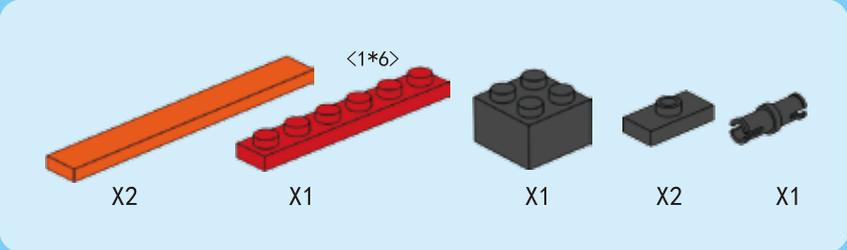
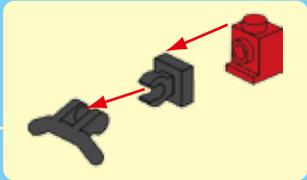
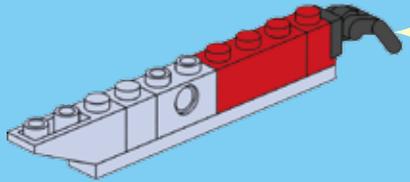


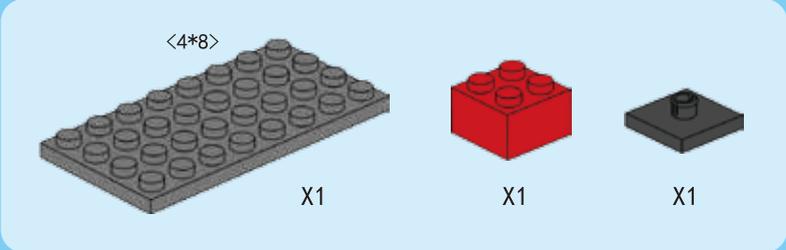
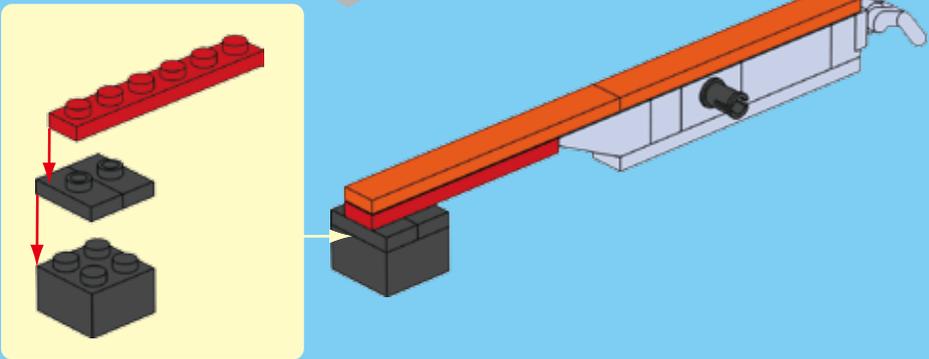
1



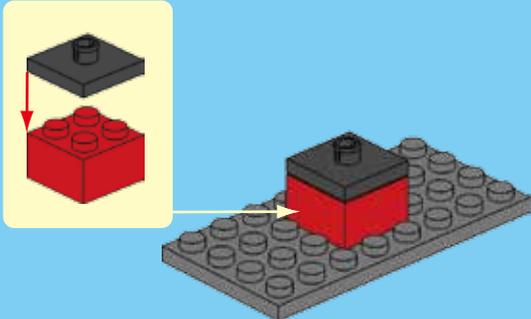
2

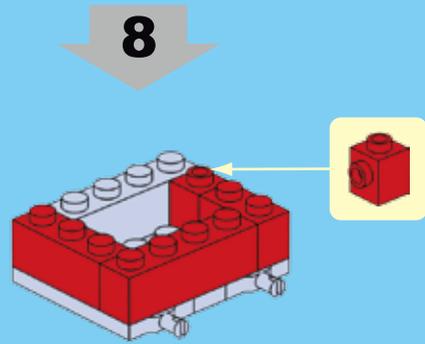
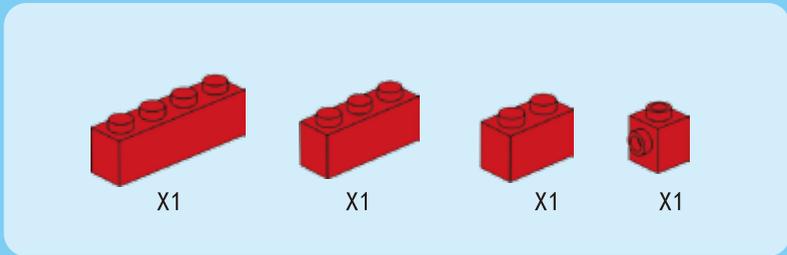
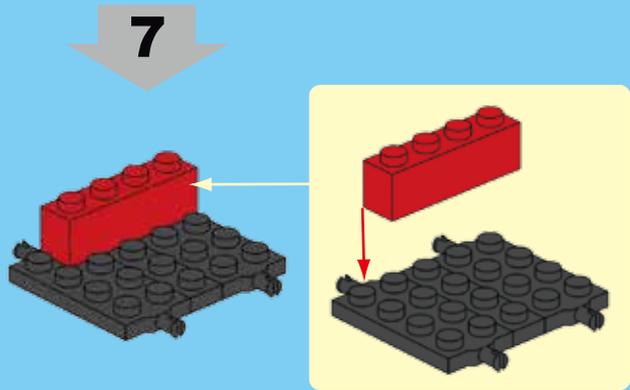
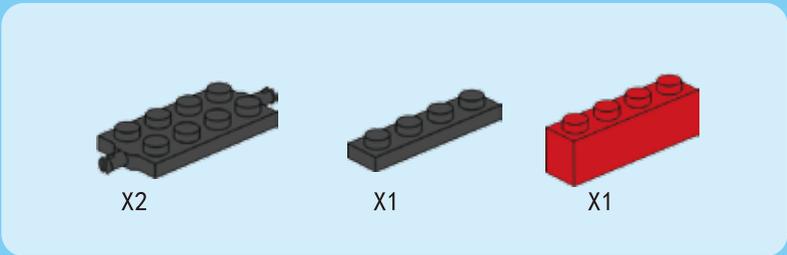
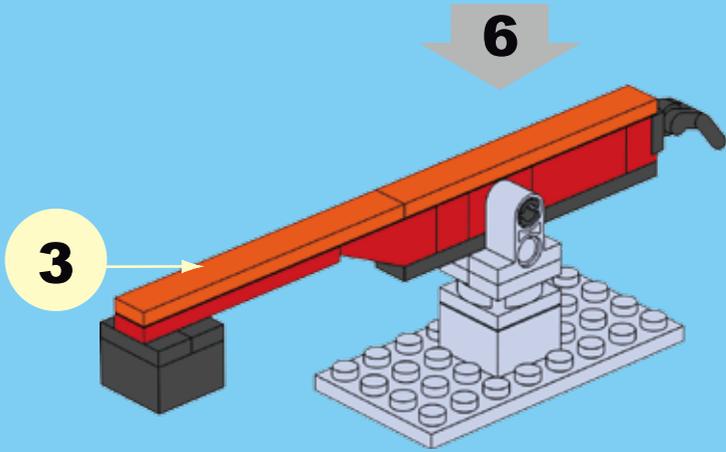
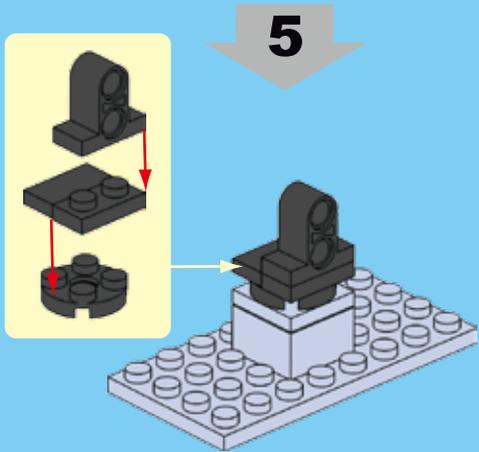
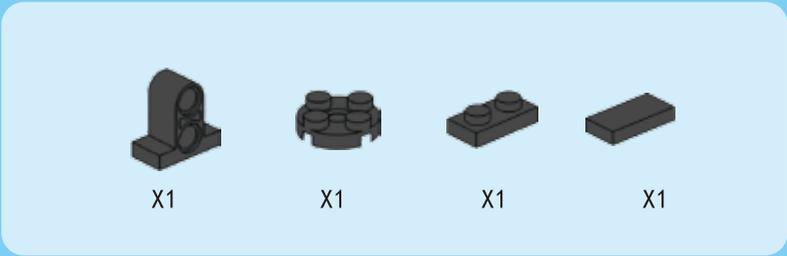


3



4







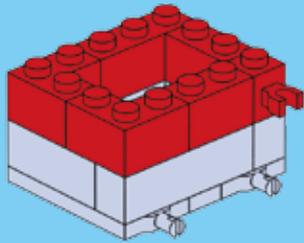
X1

X2

X2

X1

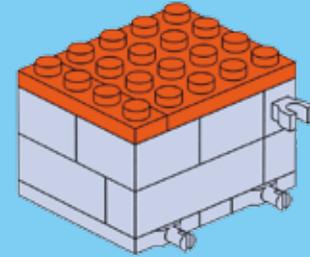
9



X1

X1

10



X2

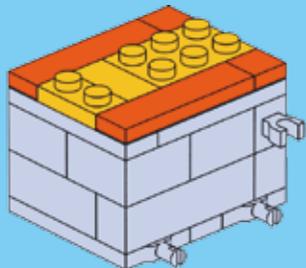
X1

X1

X1

X2

11



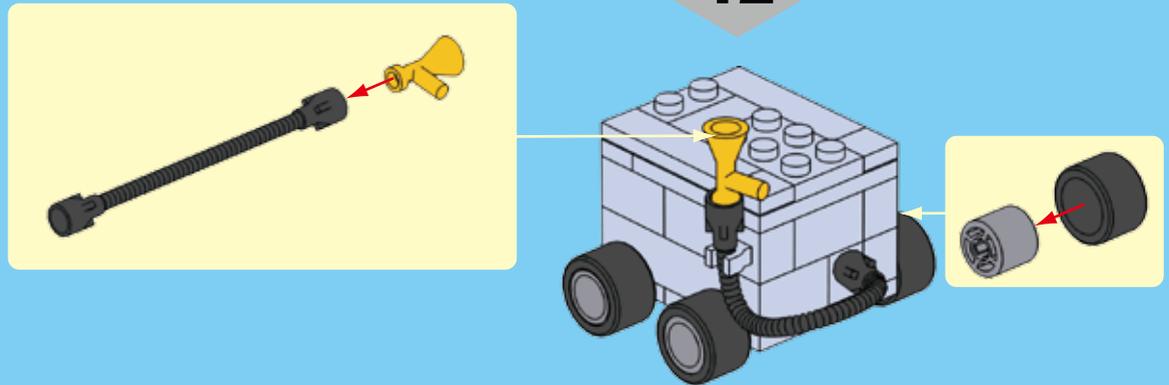
X1

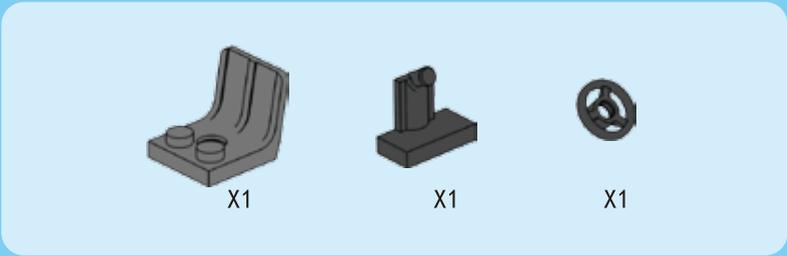
X4

X4

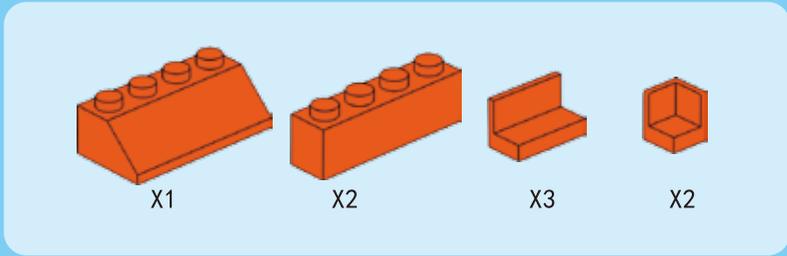
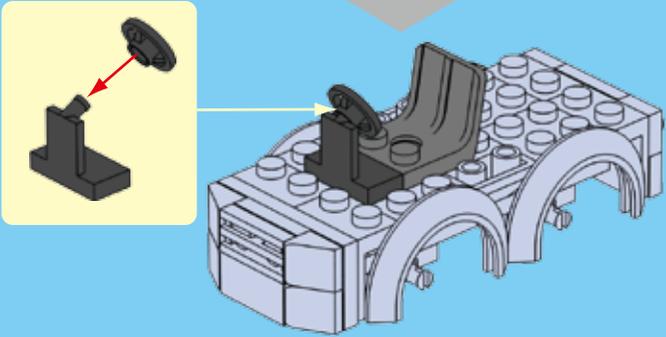
X1

12

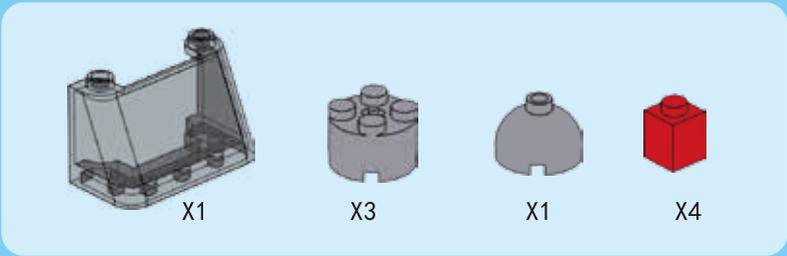
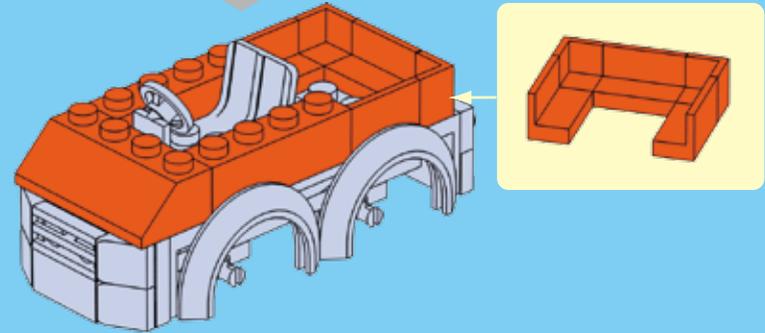




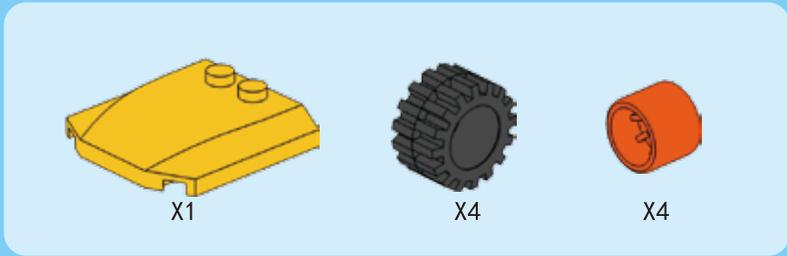
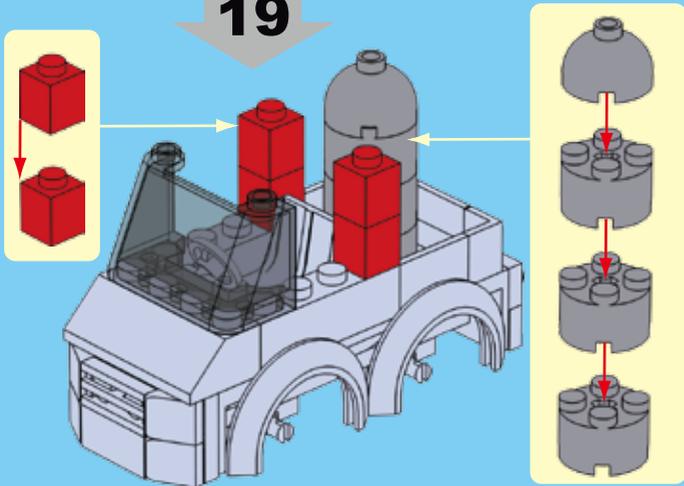
17



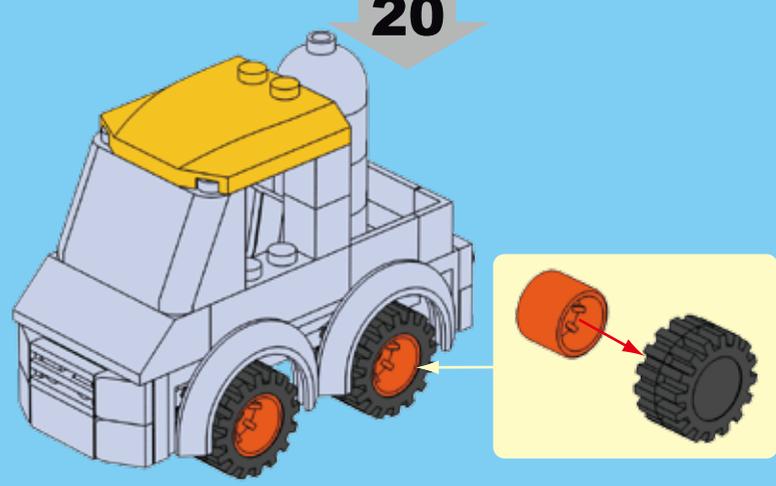
18



19



20





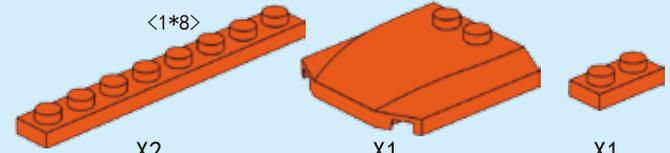
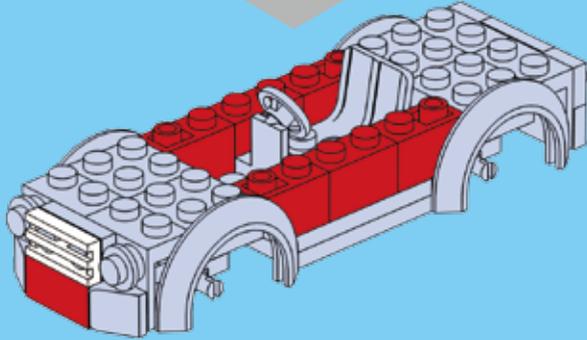
X2

X4

X1

X1

25

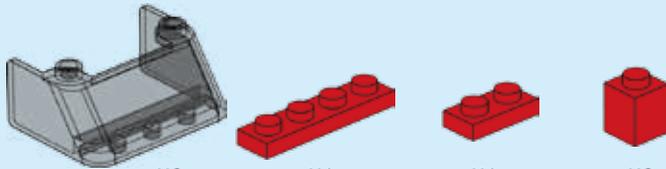
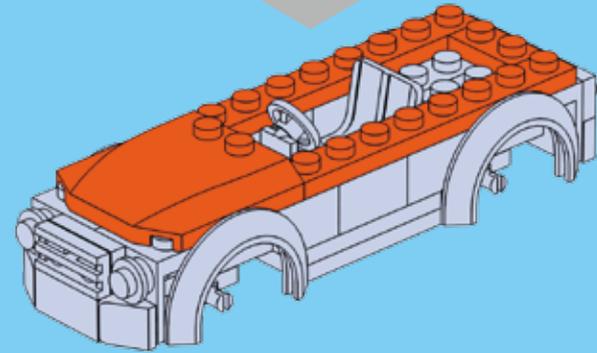


X2

X1

X1

26



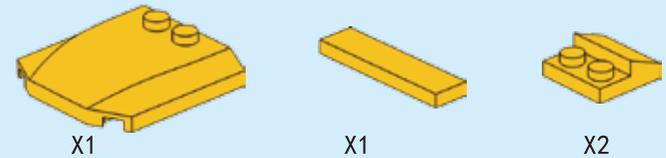
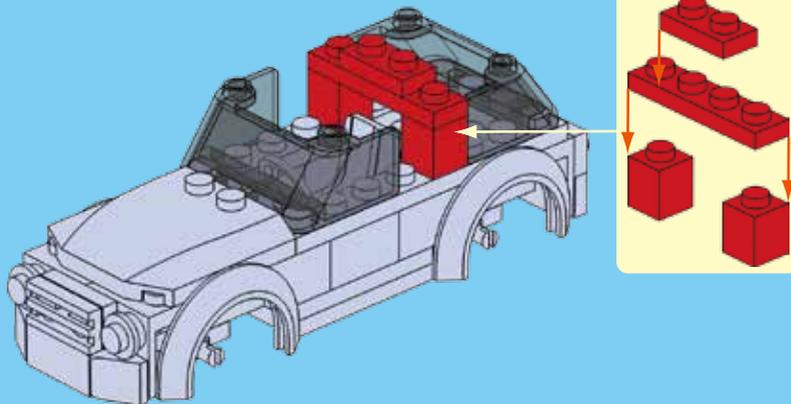
X2

X1

X1

X2

27

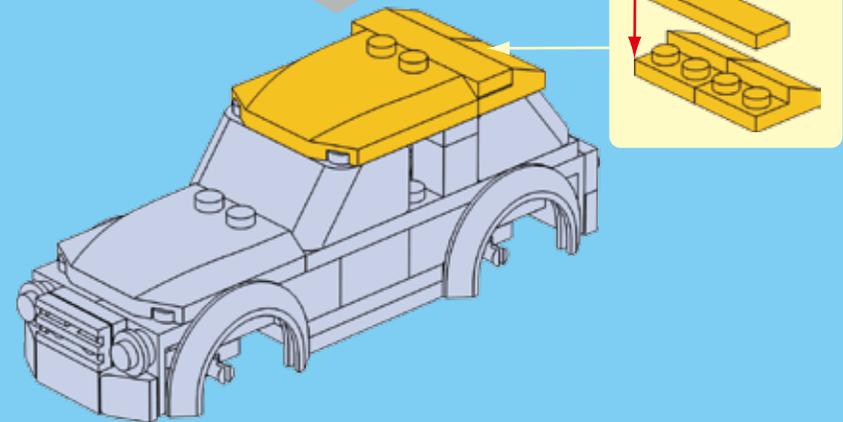


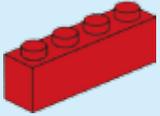
X1

X1

X2

28





X4



X1

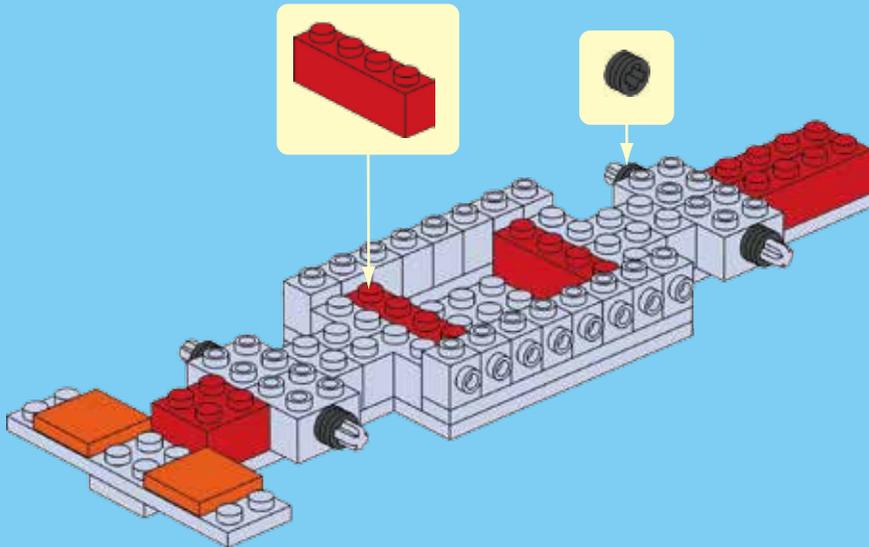


X2



X4

33



X2



X2



X4



X2

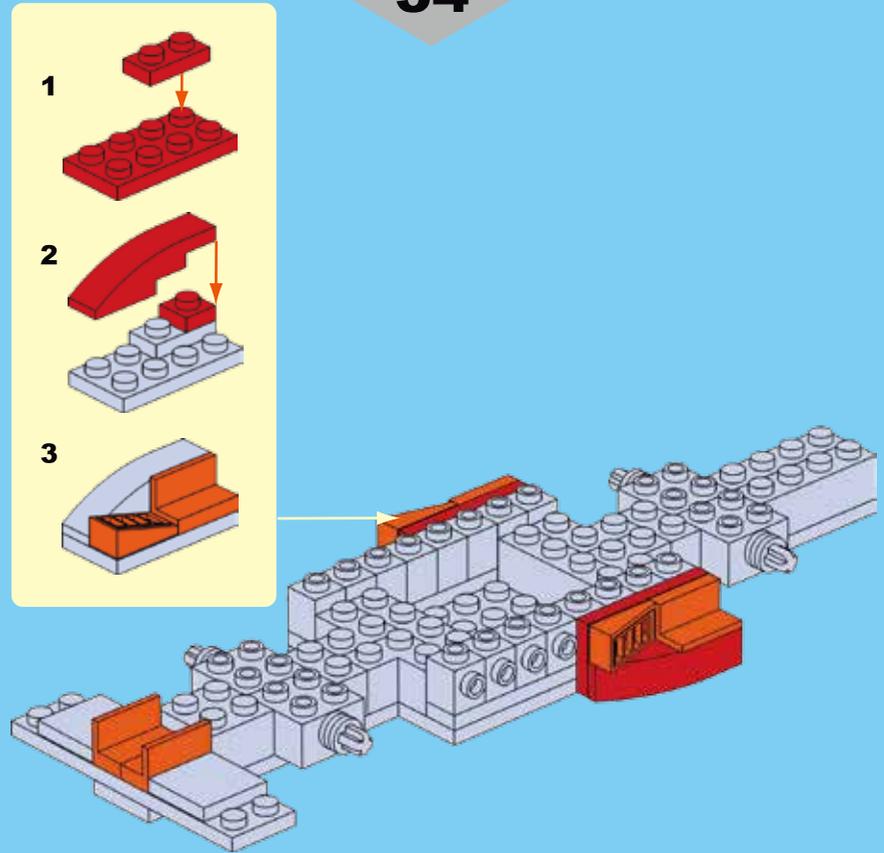


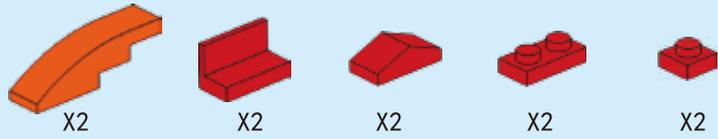
X2



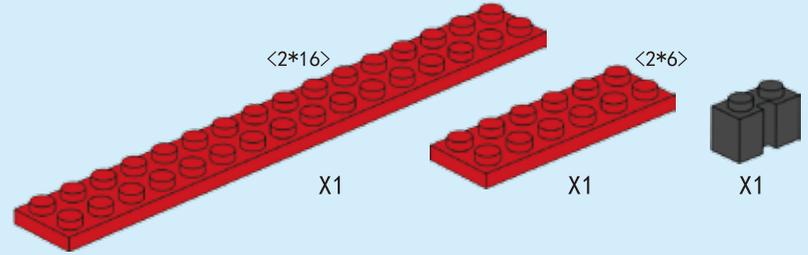
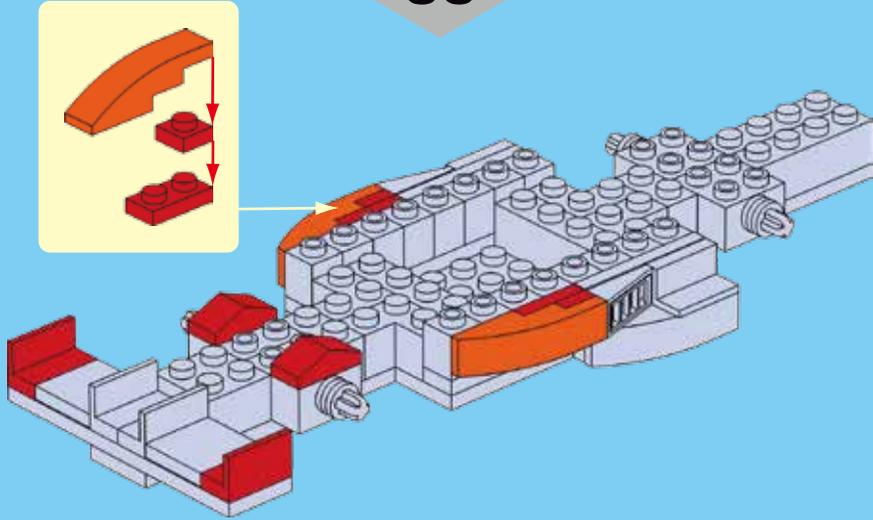
X2

34

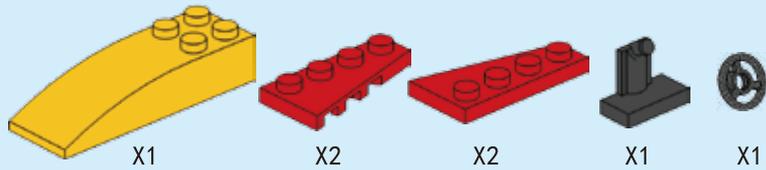
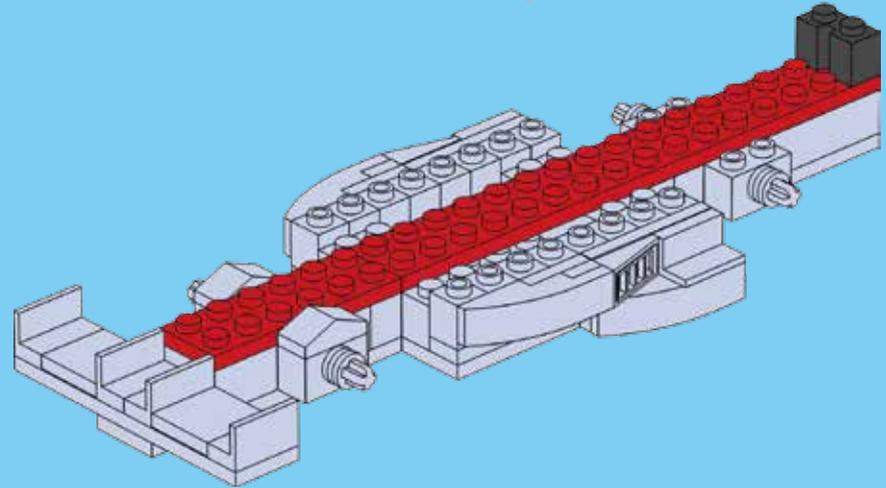




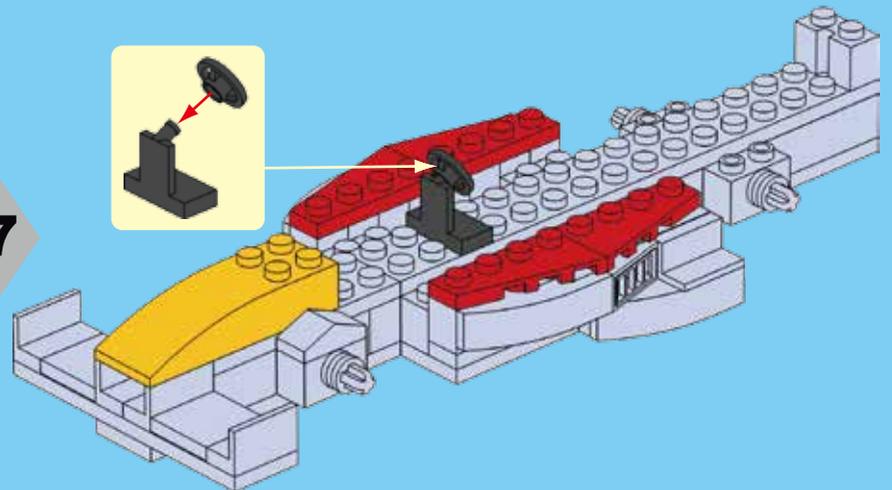
35

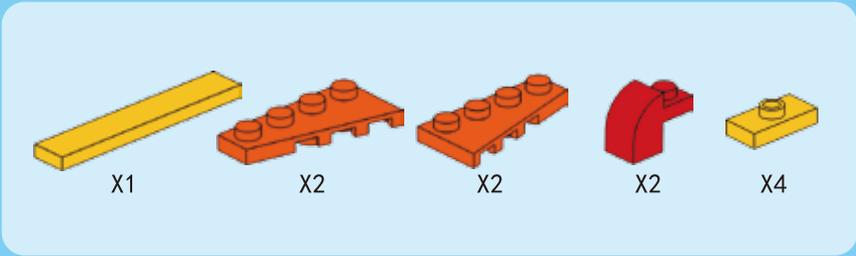


36

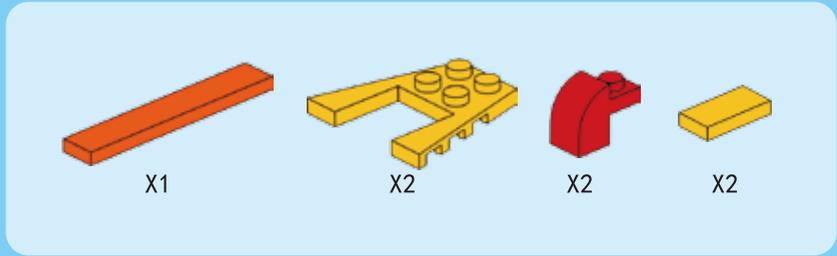
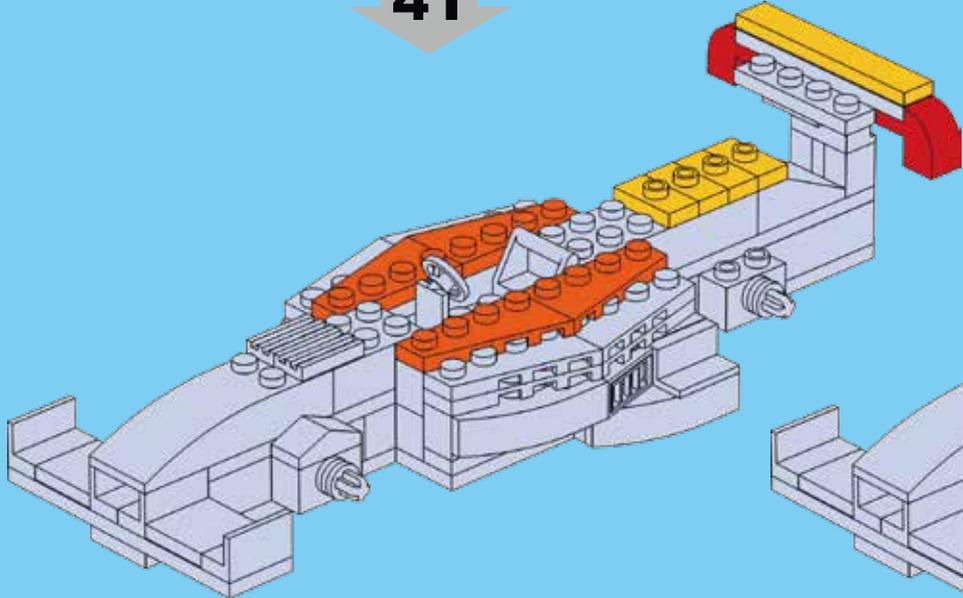


37

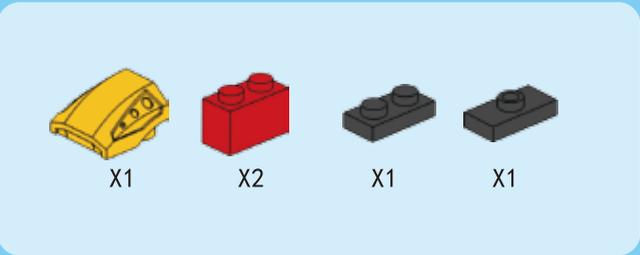
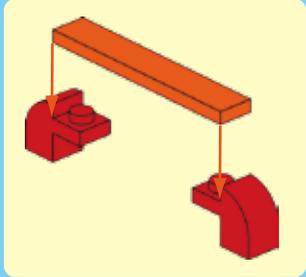
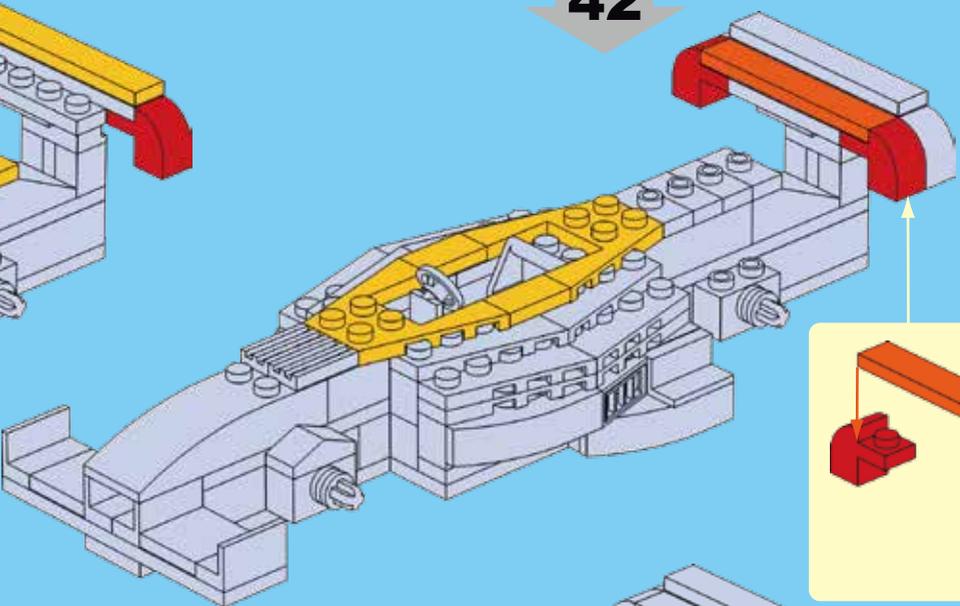




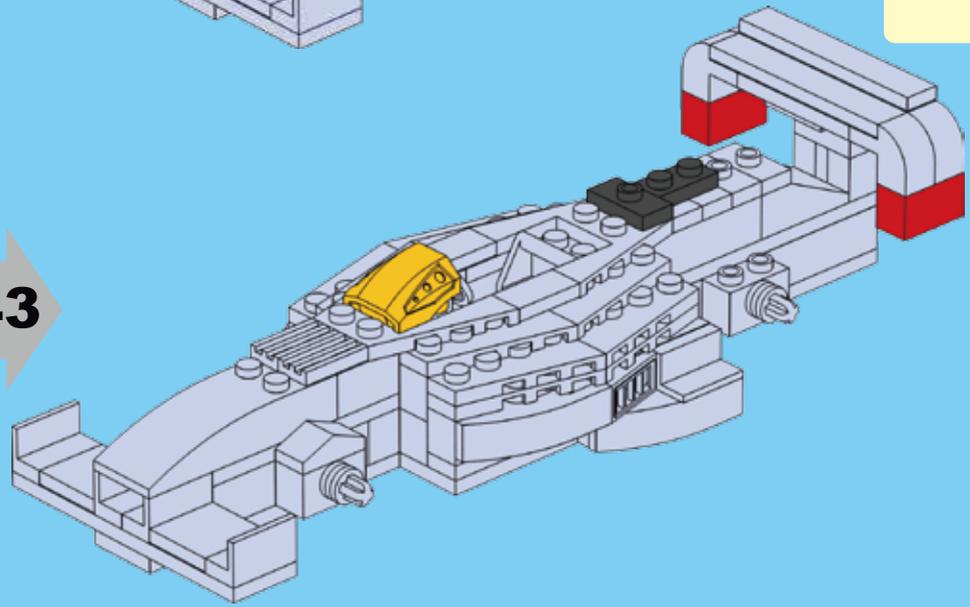
41



42



43





X1



X1

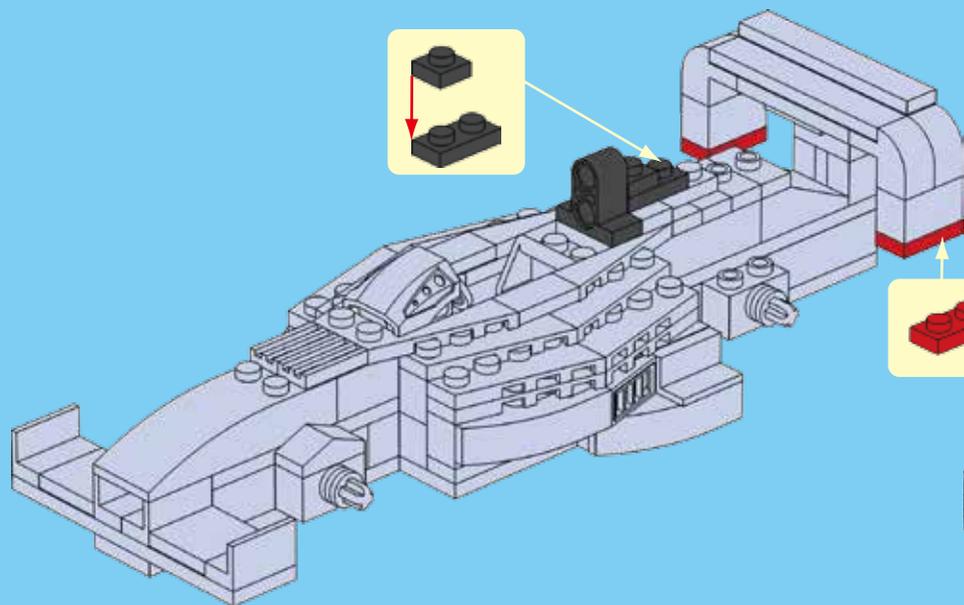


X2



X1

44



X4



X4

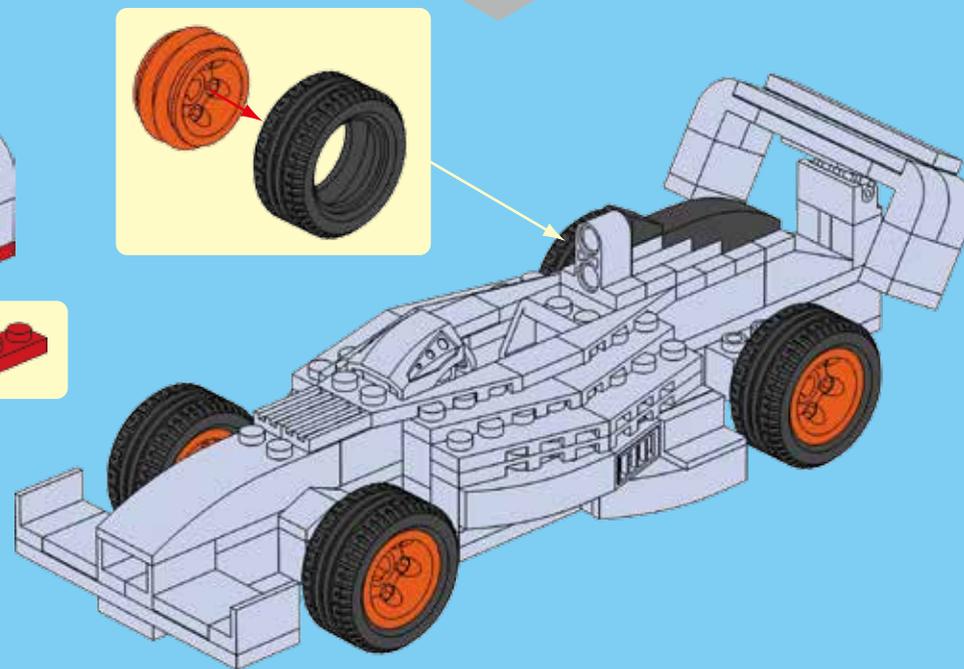


X1

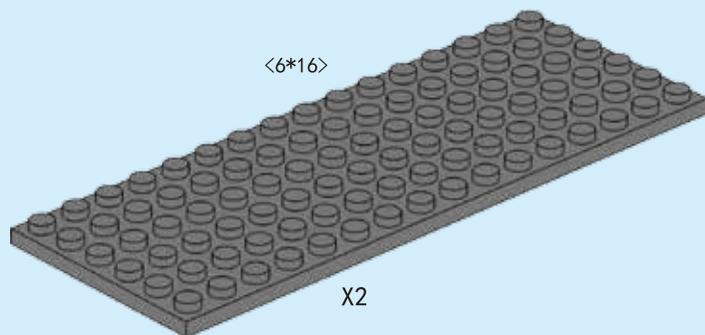


X1

45

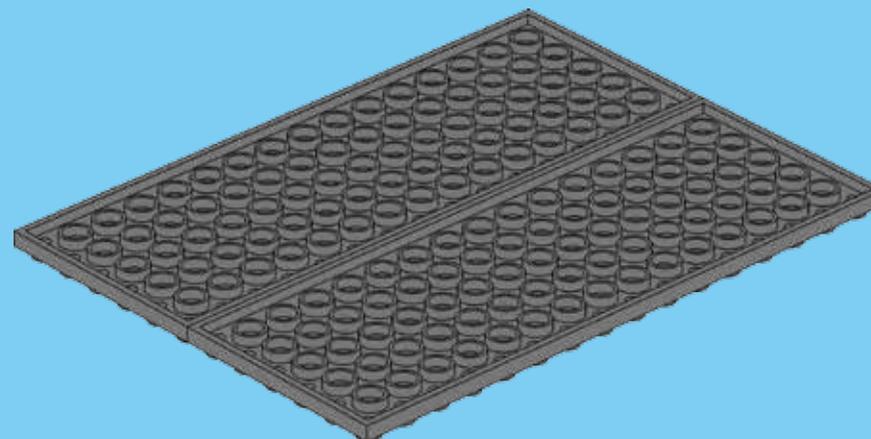


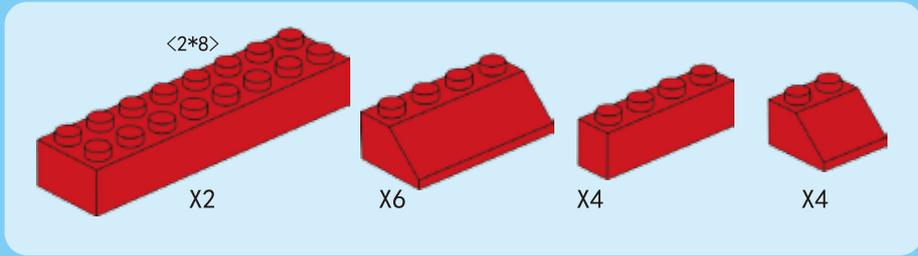
<6*16>



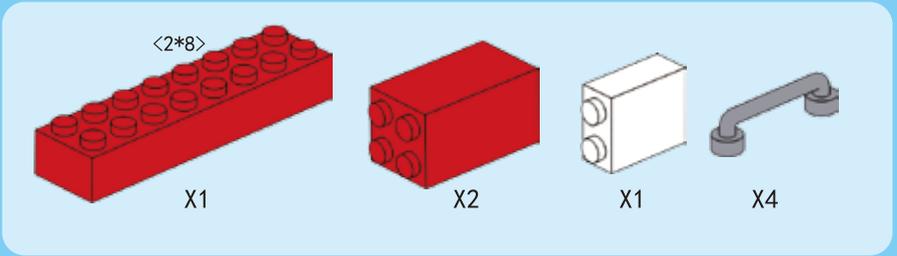
X2

46

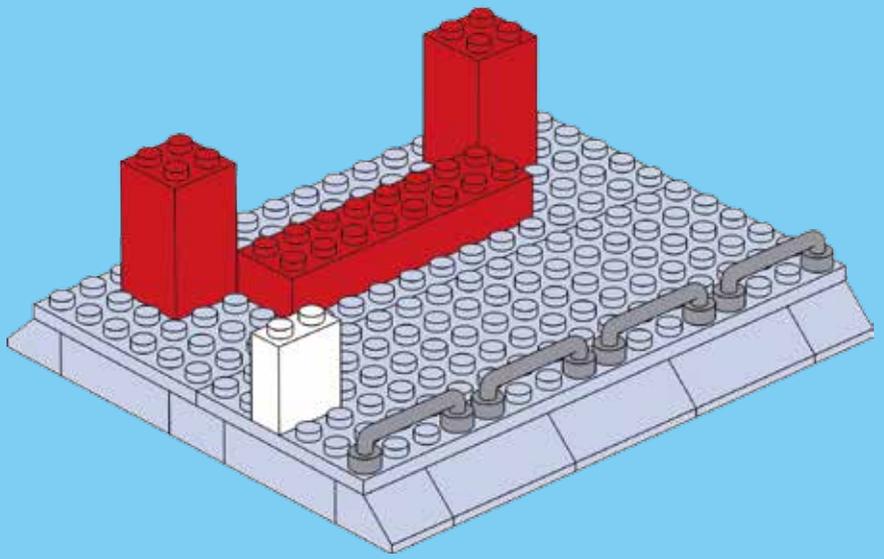
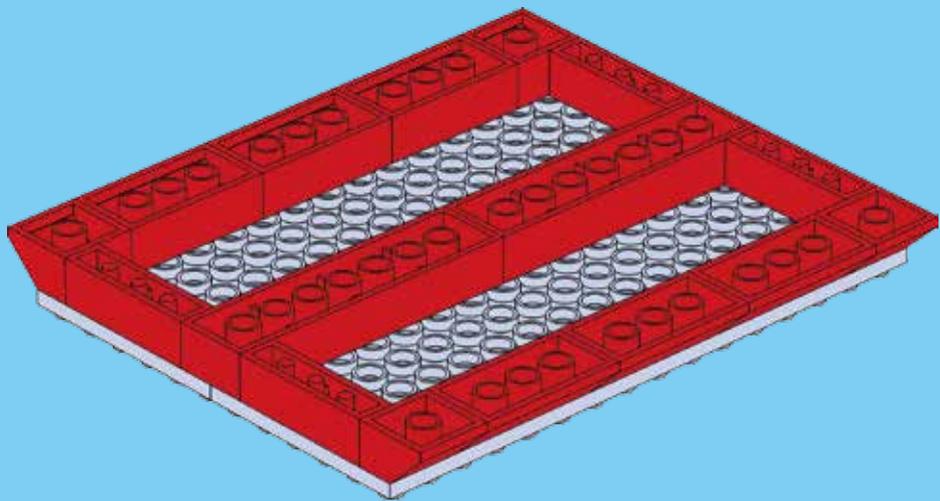


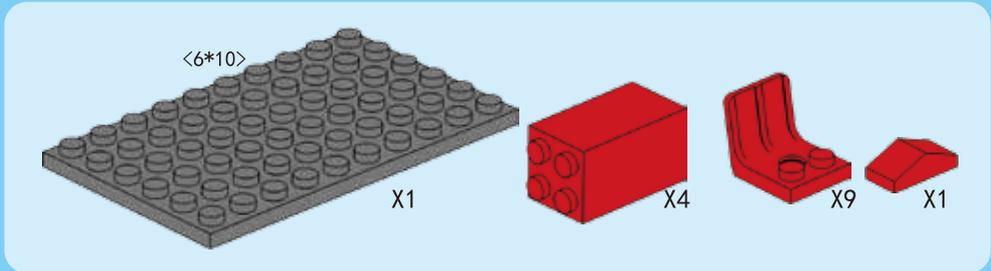


47

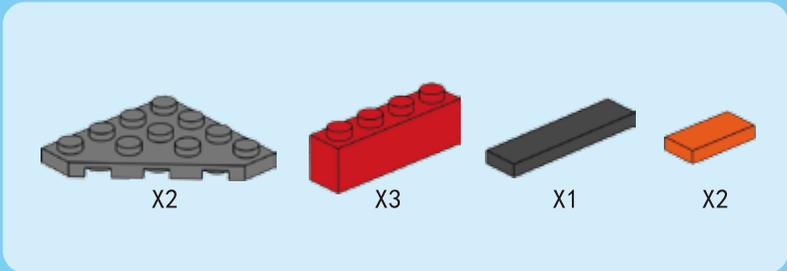


48

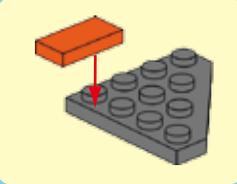
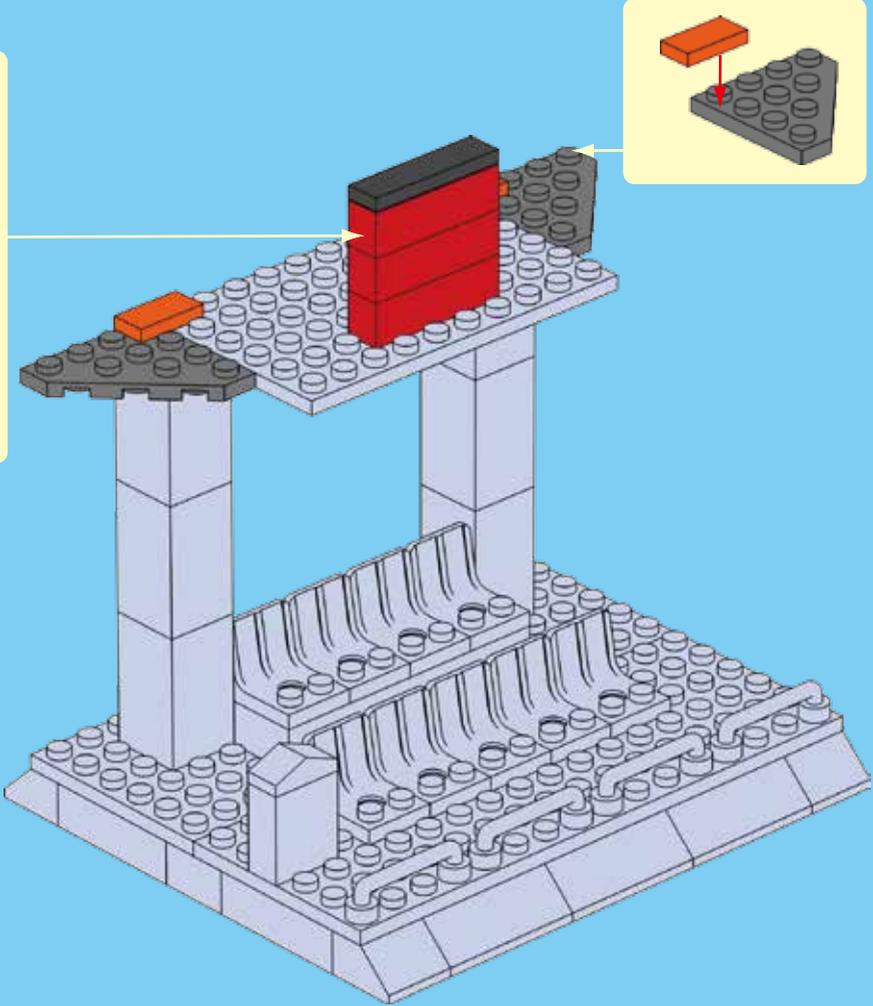
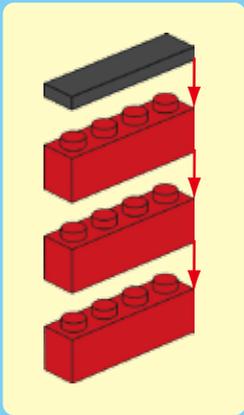
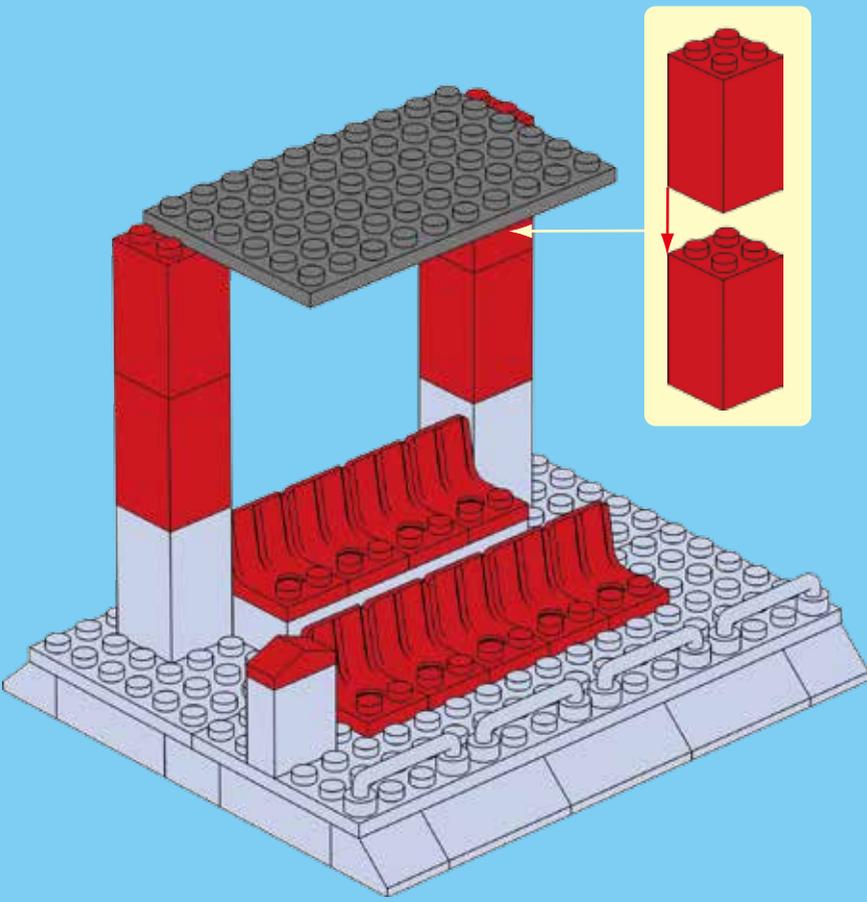


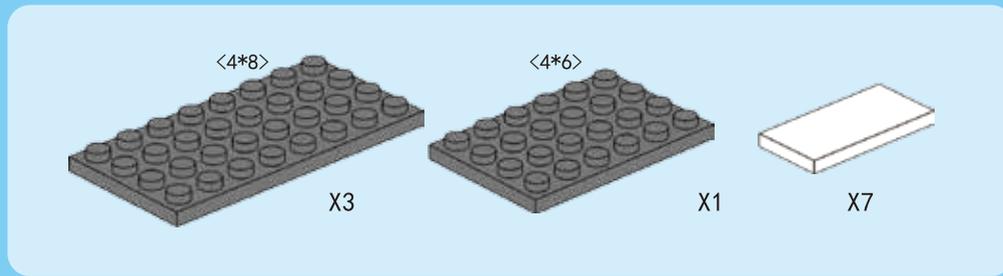


49

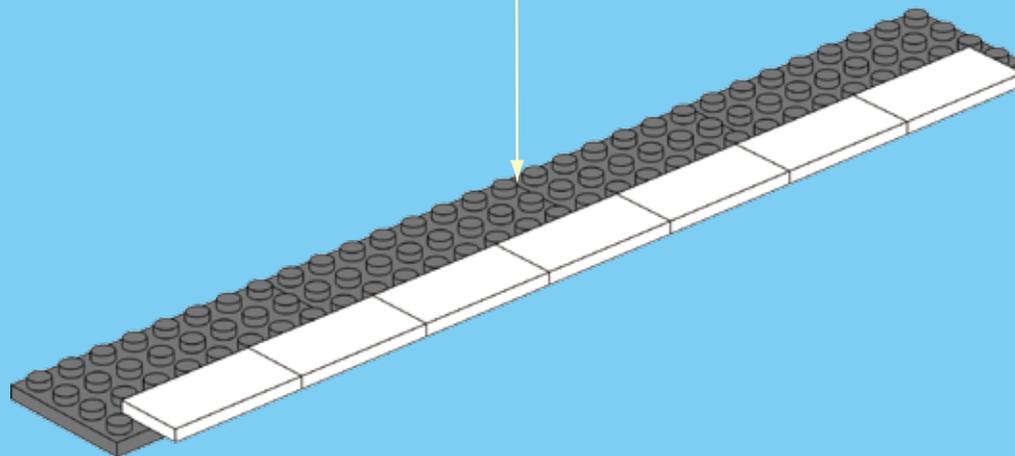
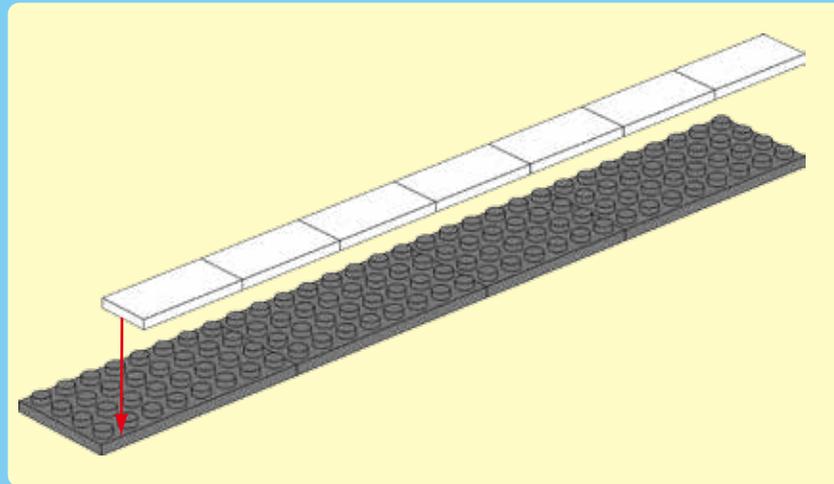


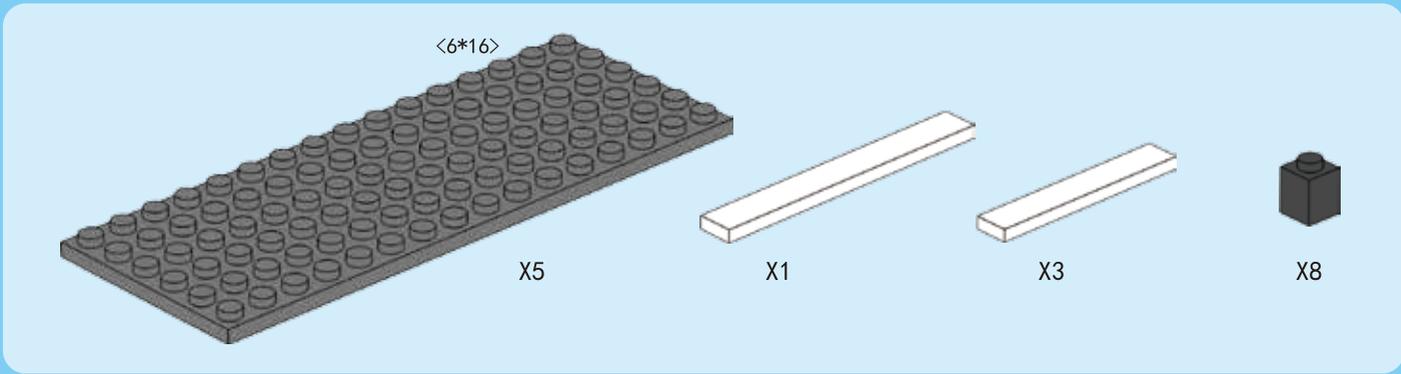
50



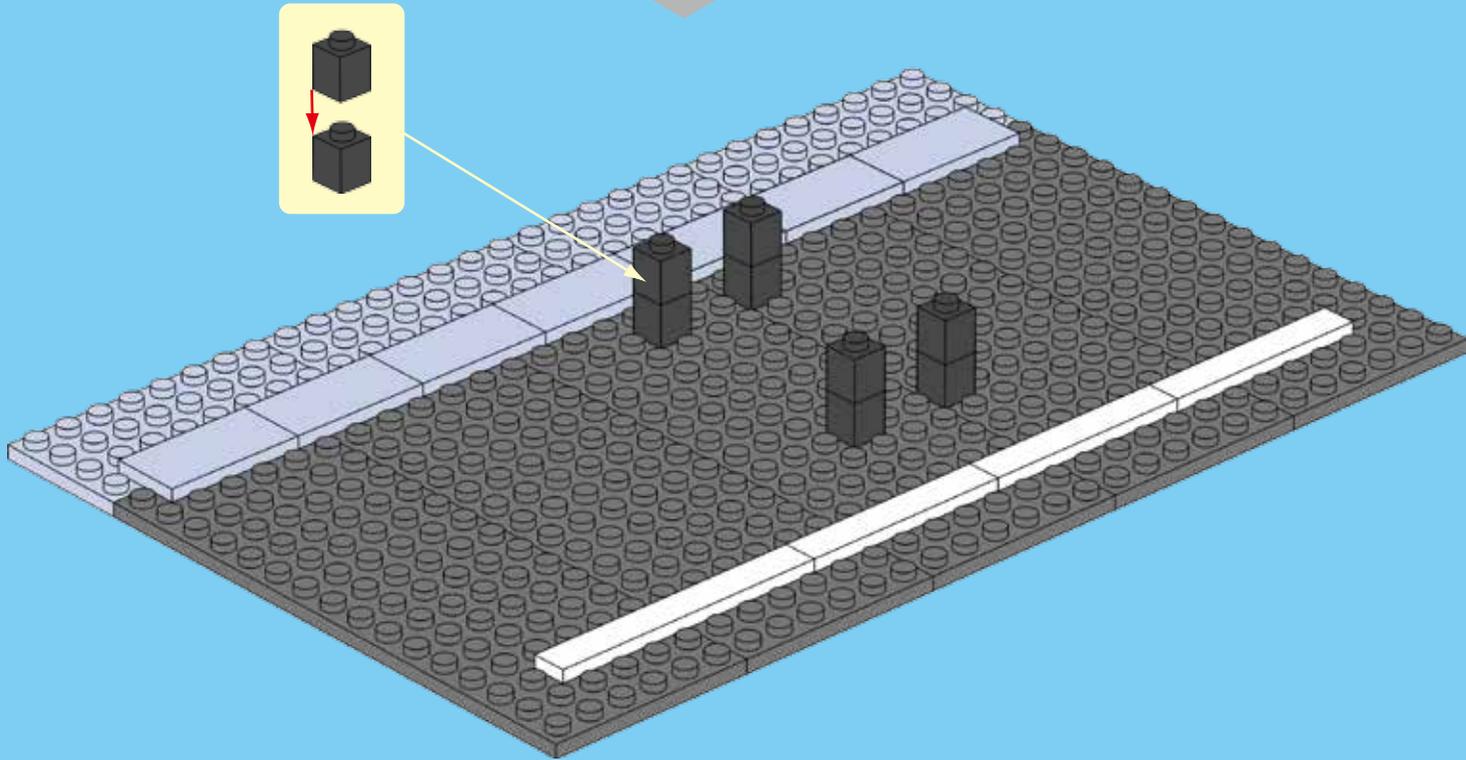


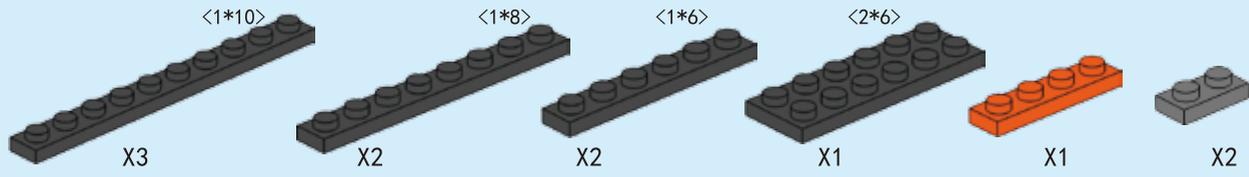
51



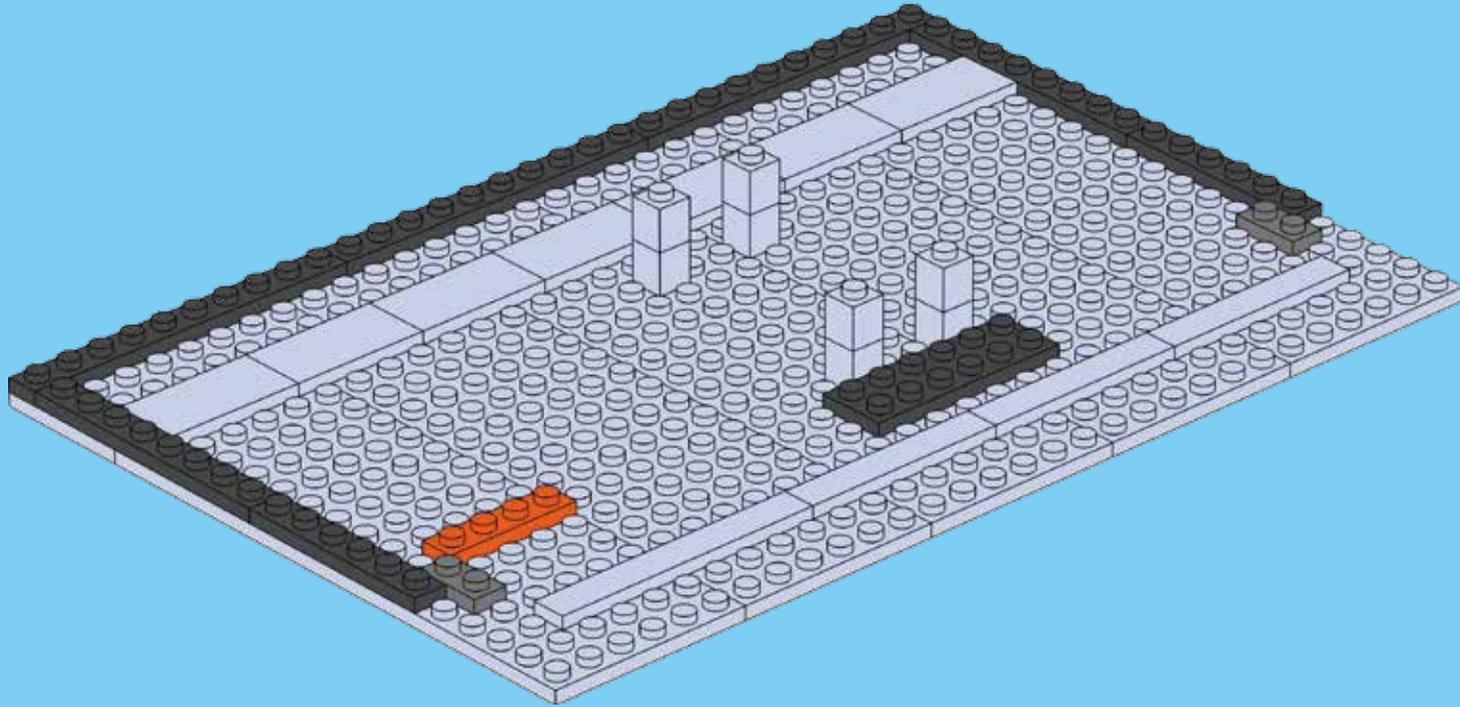


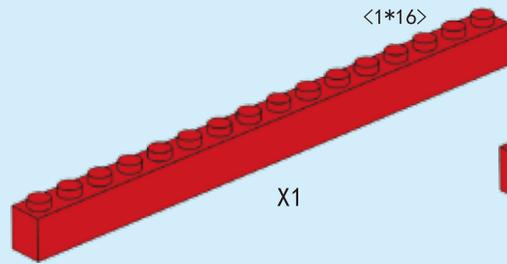
52



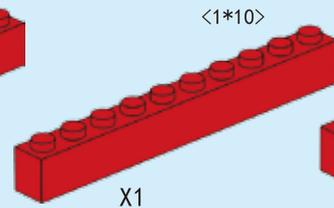


53

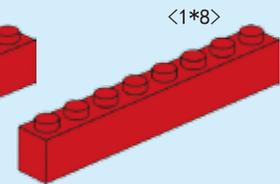




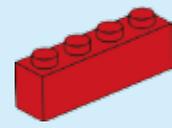
X1



X1



X1

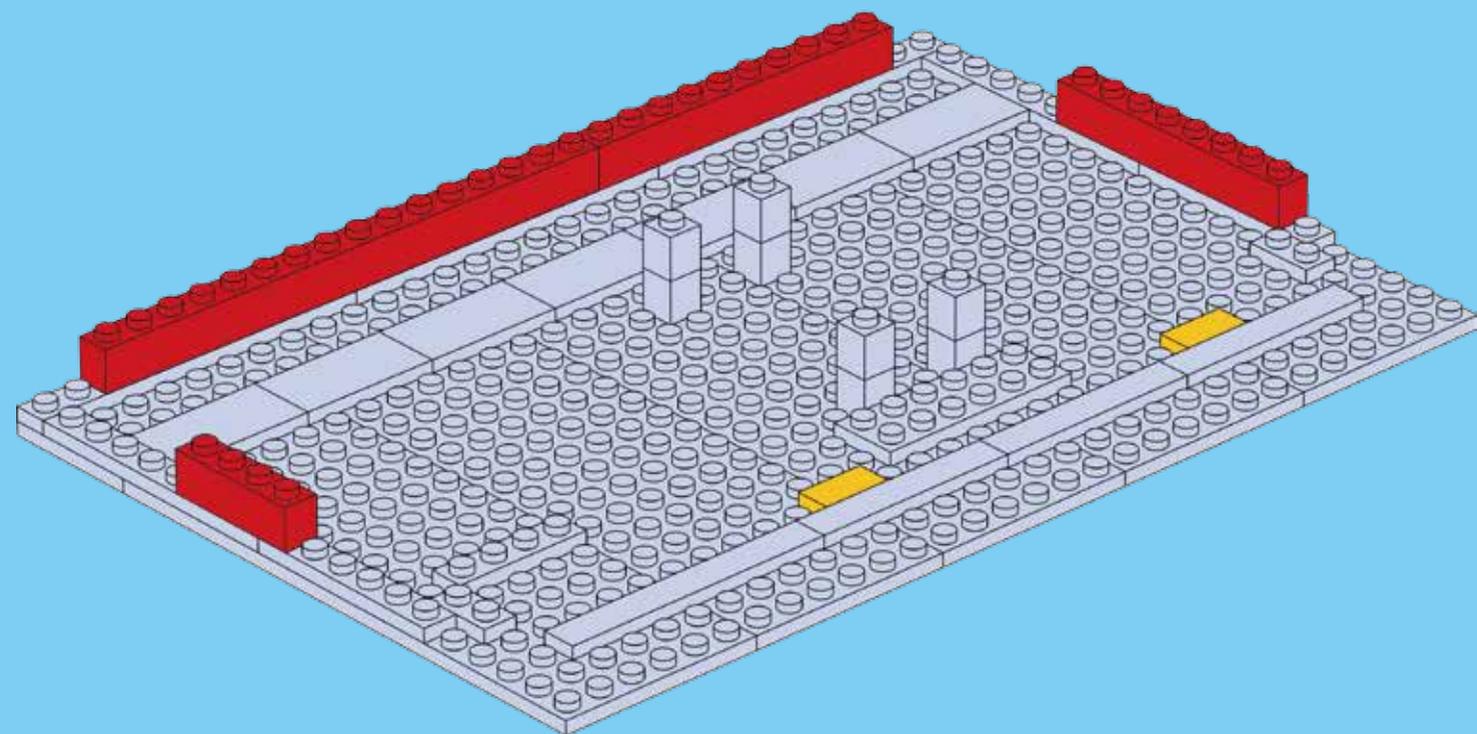


X1



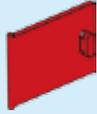
X2

54





X9



X9



X2



X2

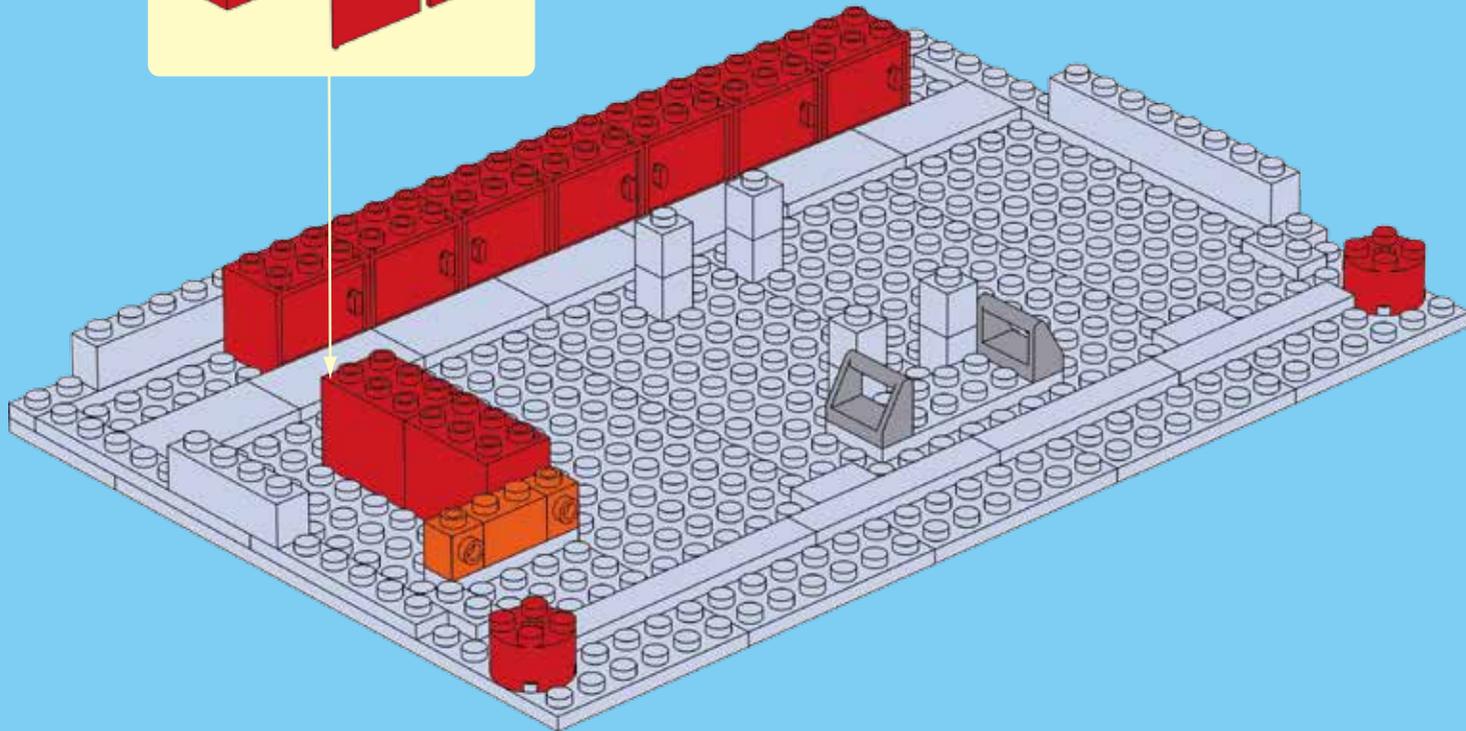
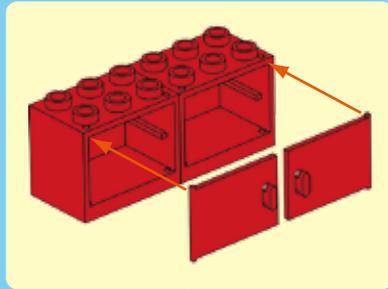


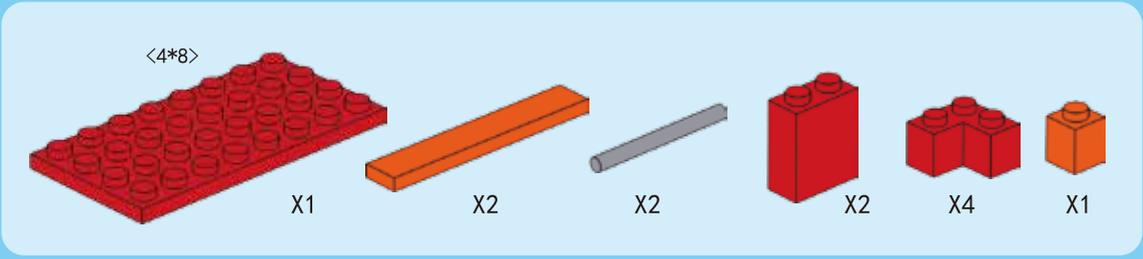
X1



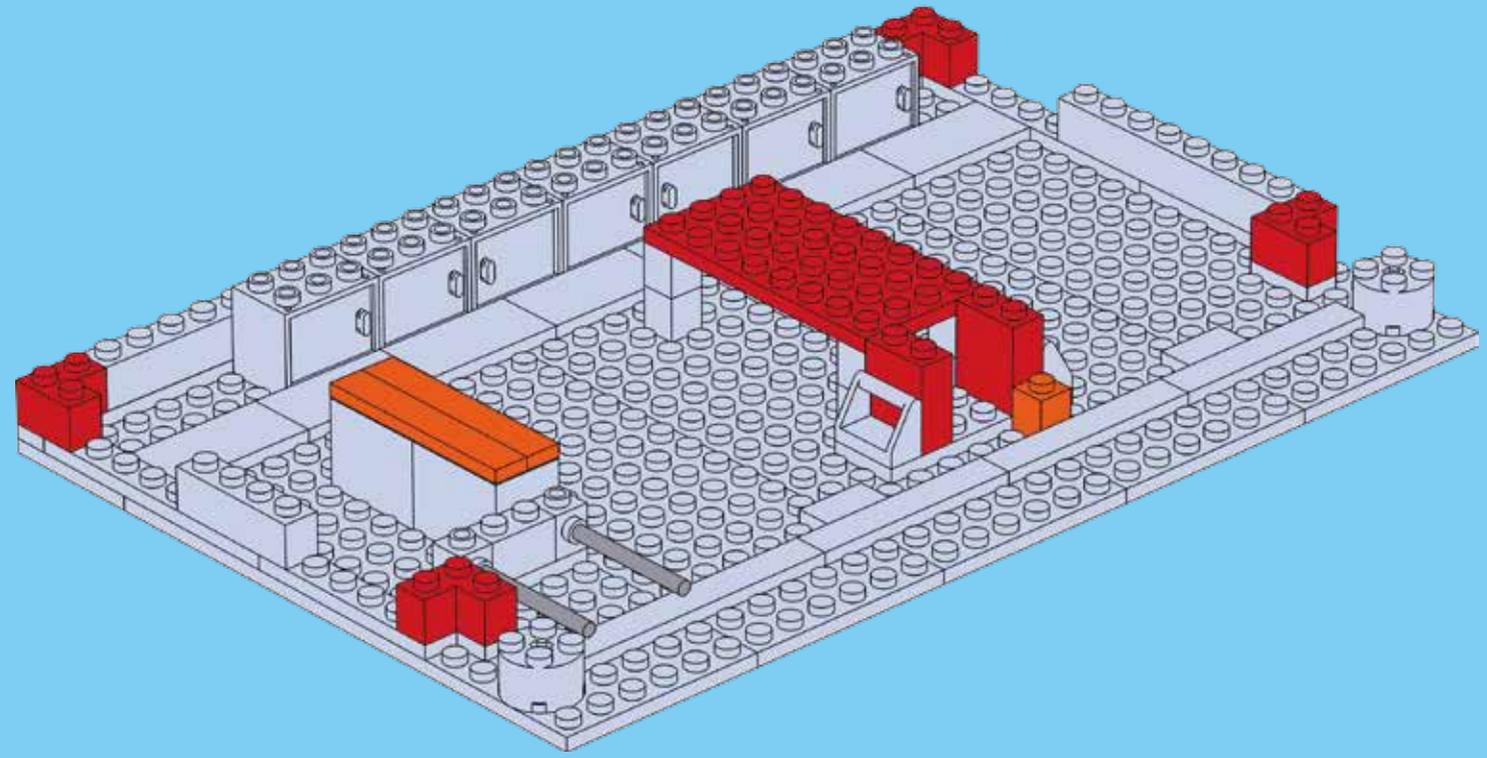
X2

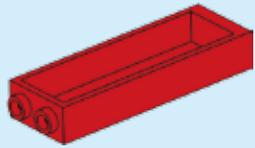
55



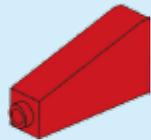


56

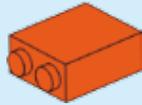




X1



X2



X2



X2

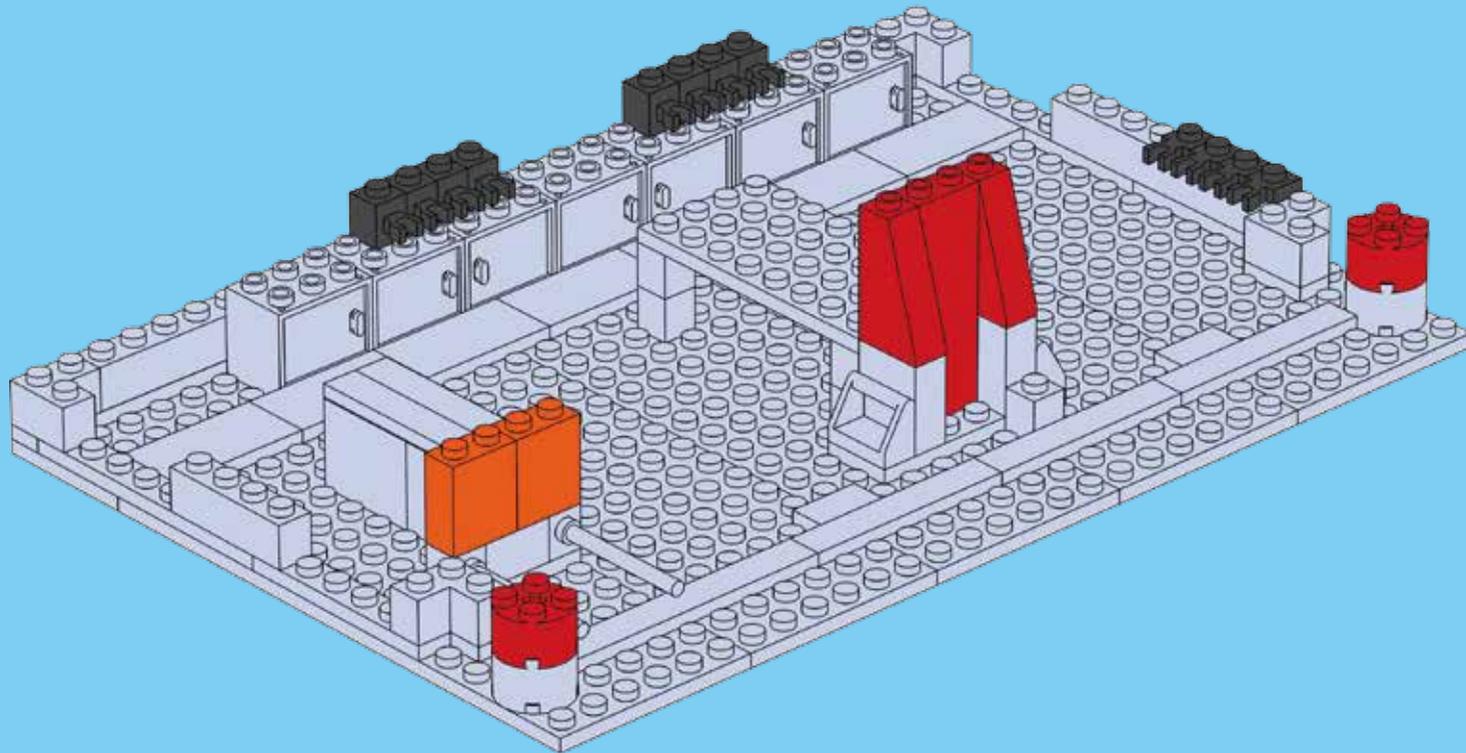


X8



X4

57





X2



X2



X1



X1

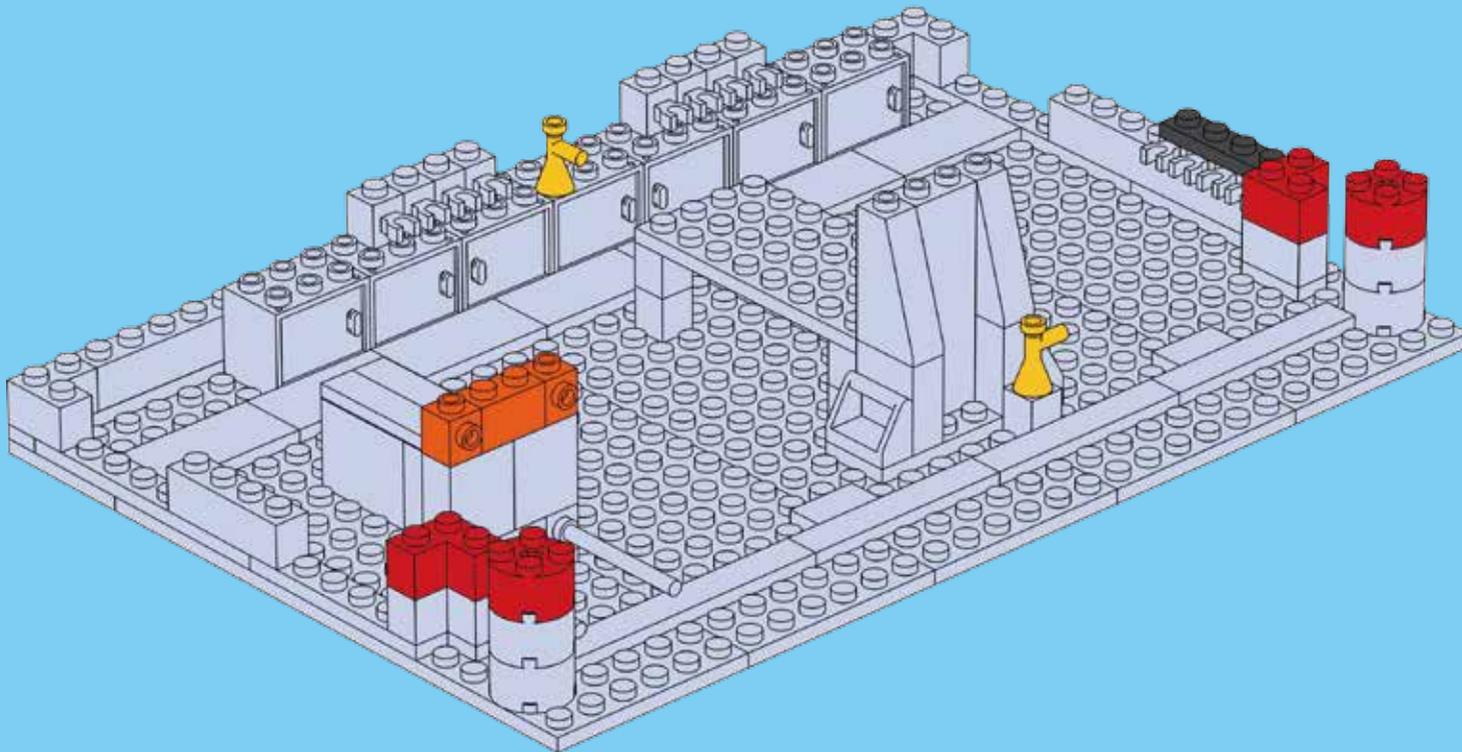


X2



X2

58





X2



X2



X2



X1



X1



X1

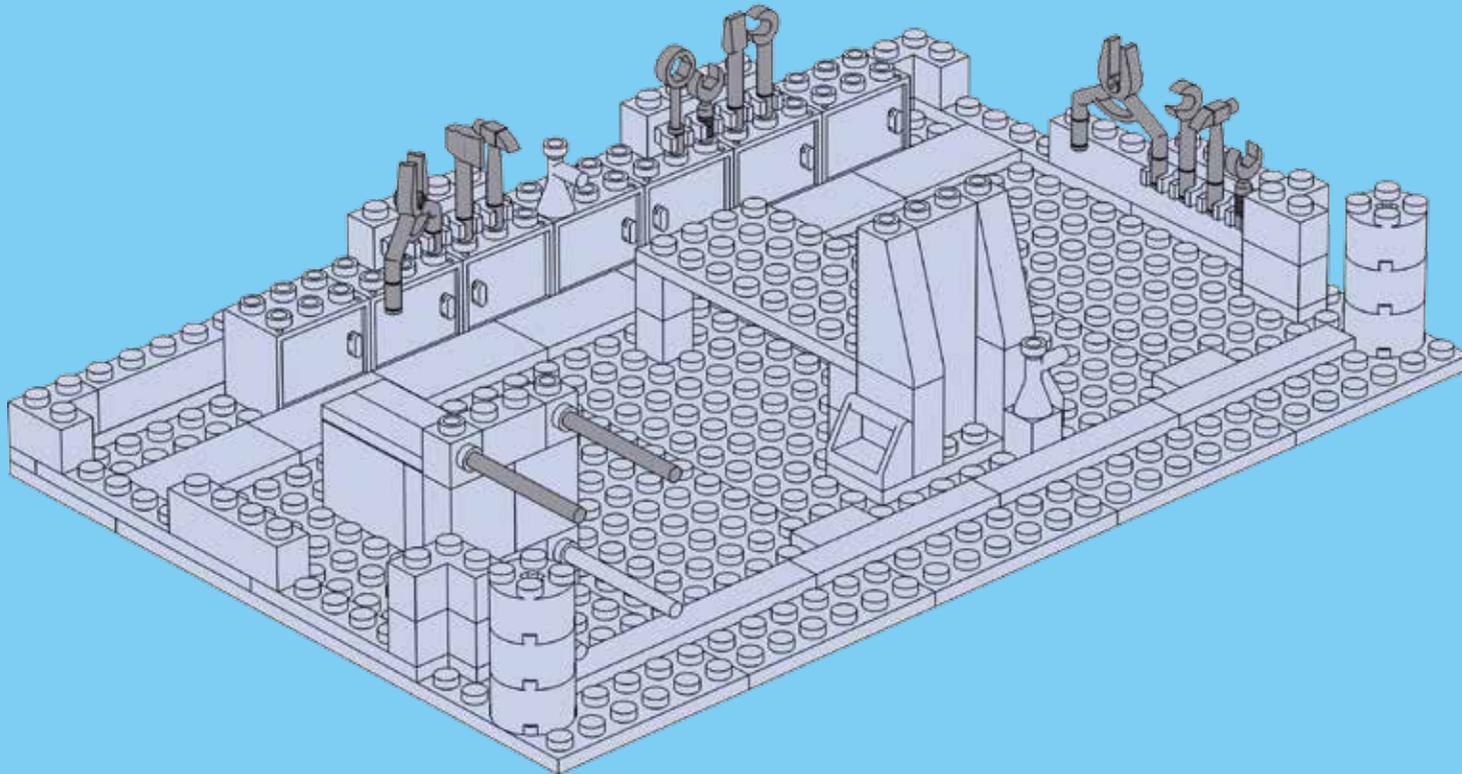


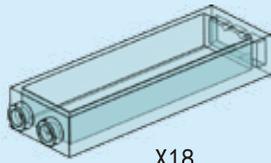
X2



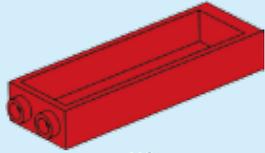
X2

59

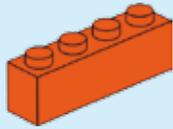




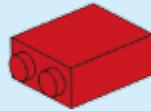
X18



X2



X1



X2

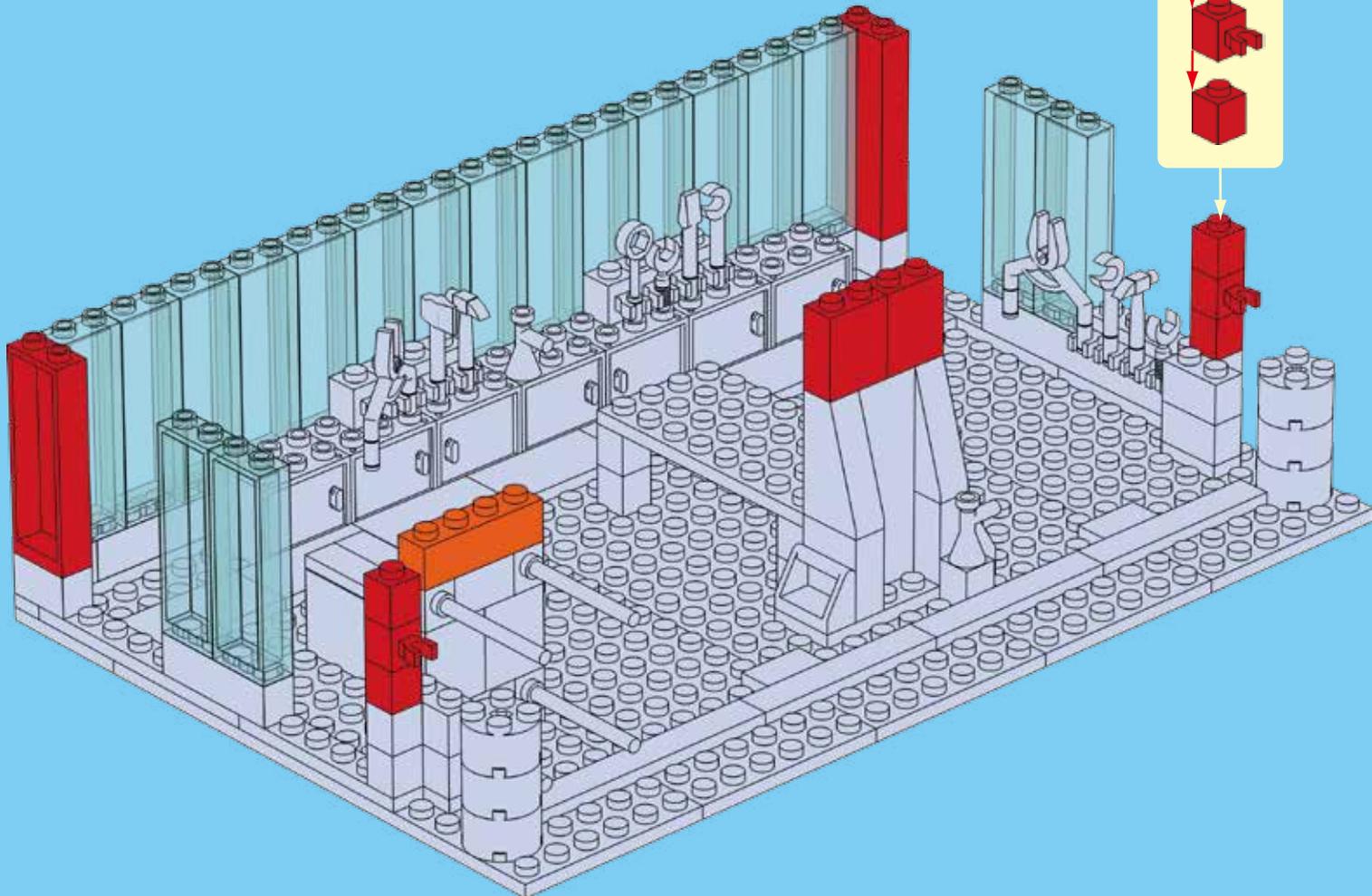


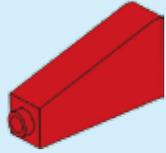
X2



X4

60





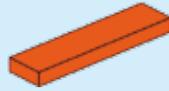
X2



X1



X2



X1

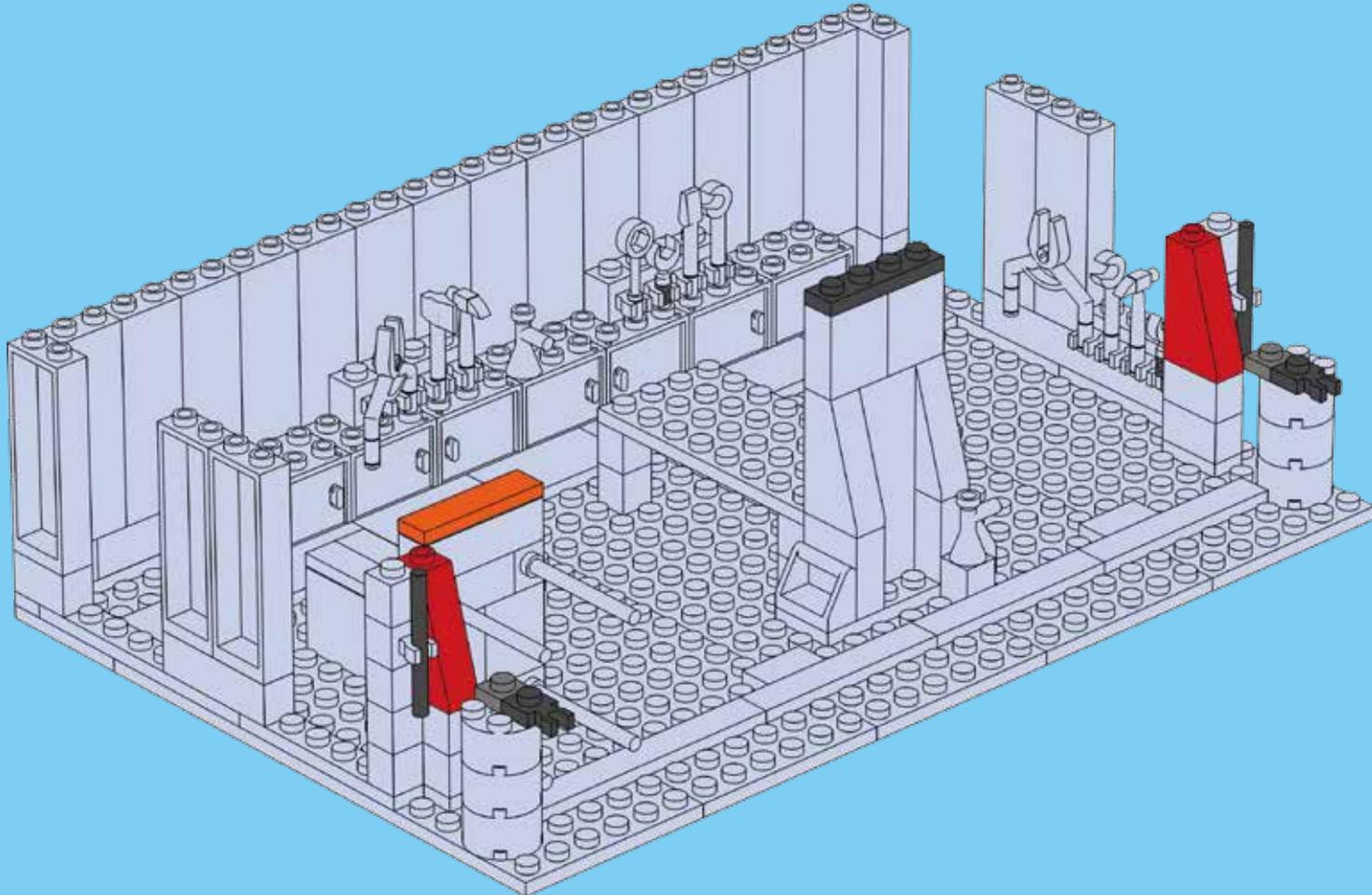


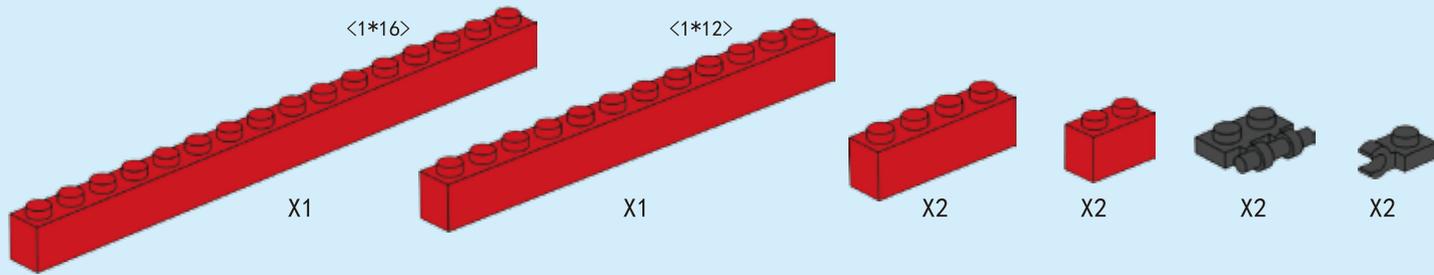
X2



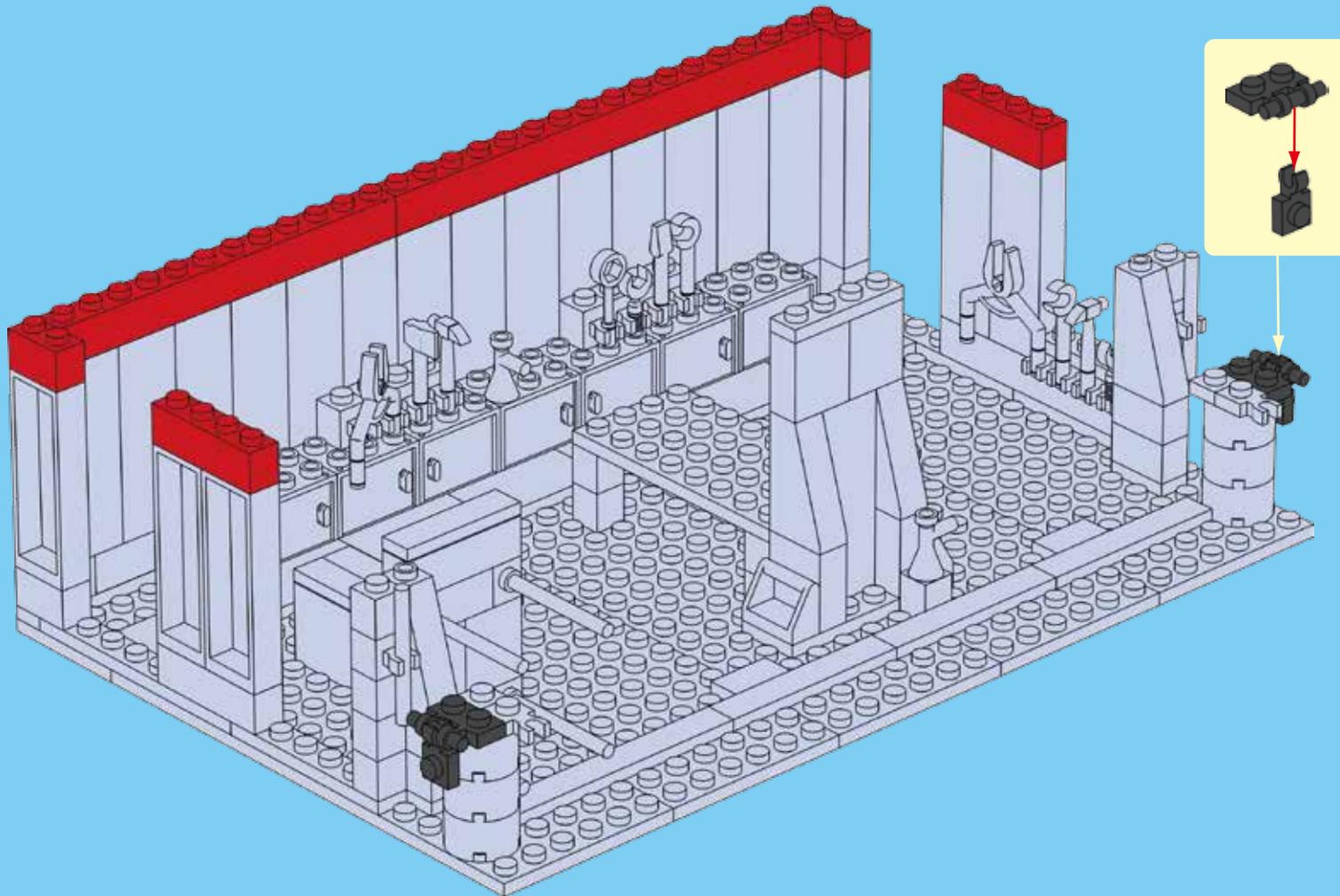
X2

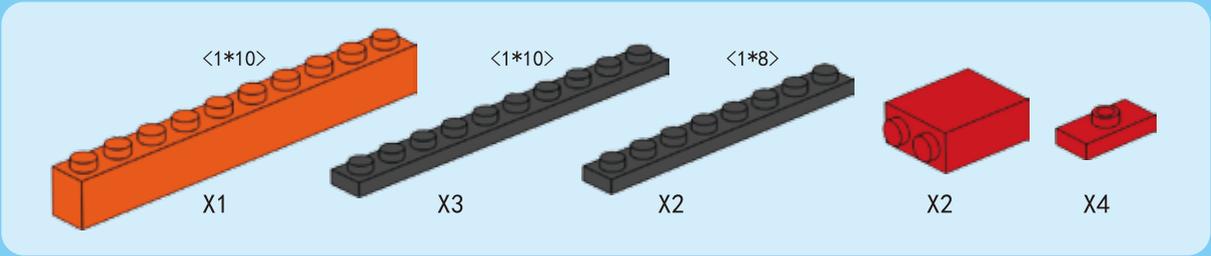
61



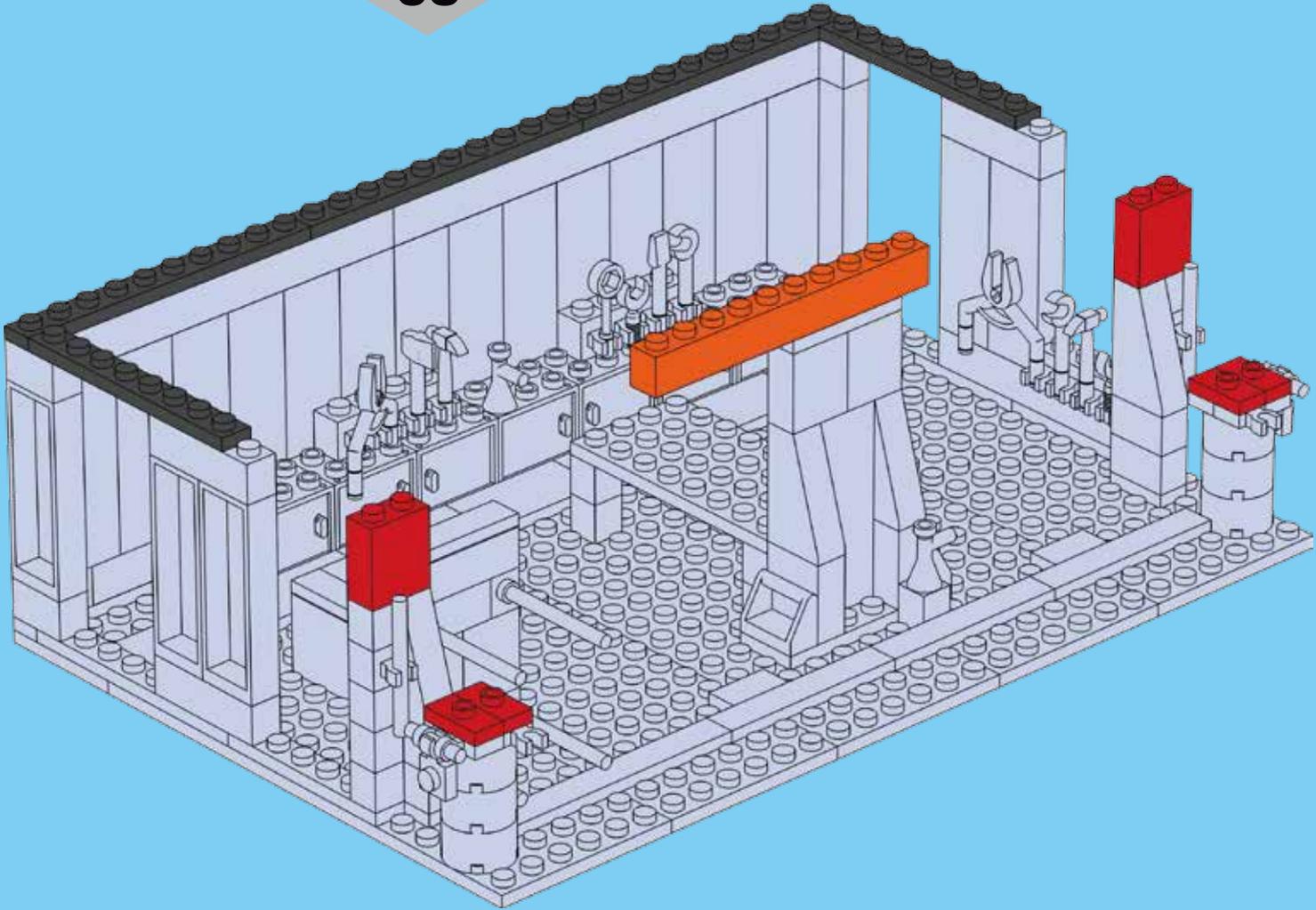


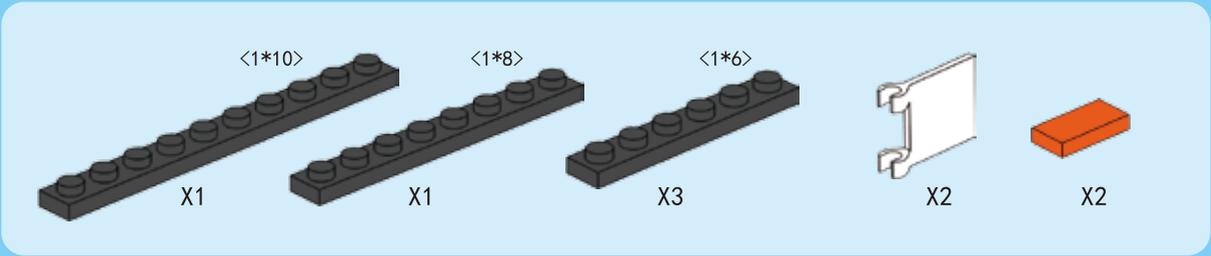
62



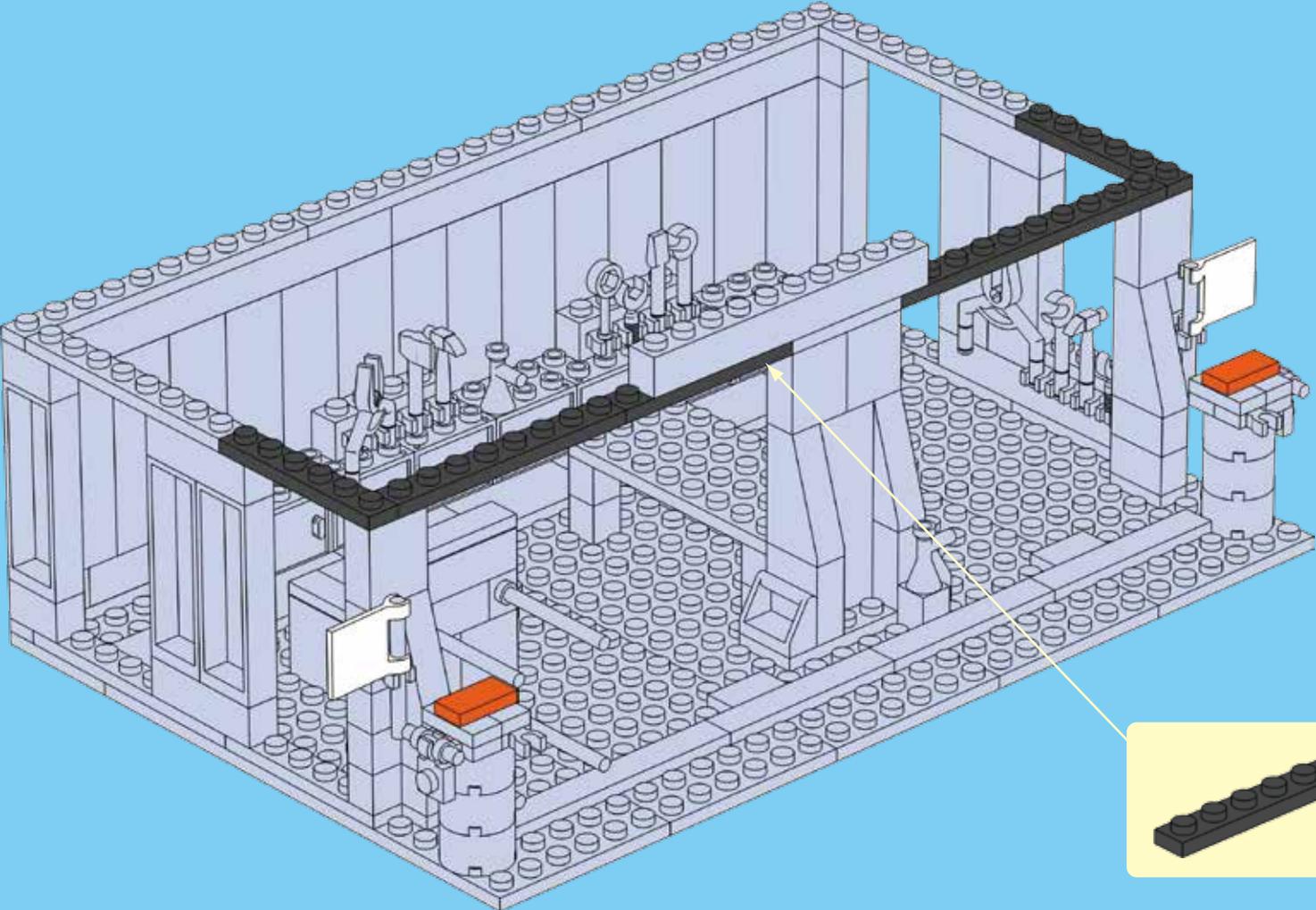


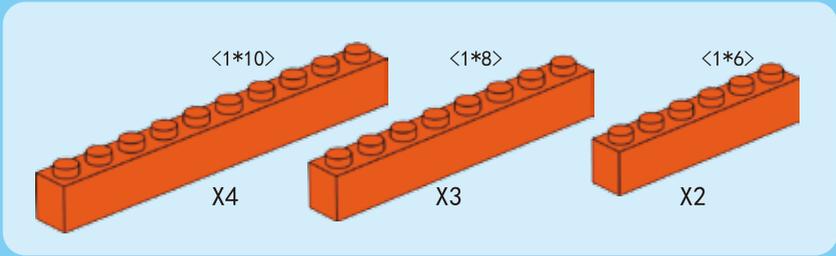
63



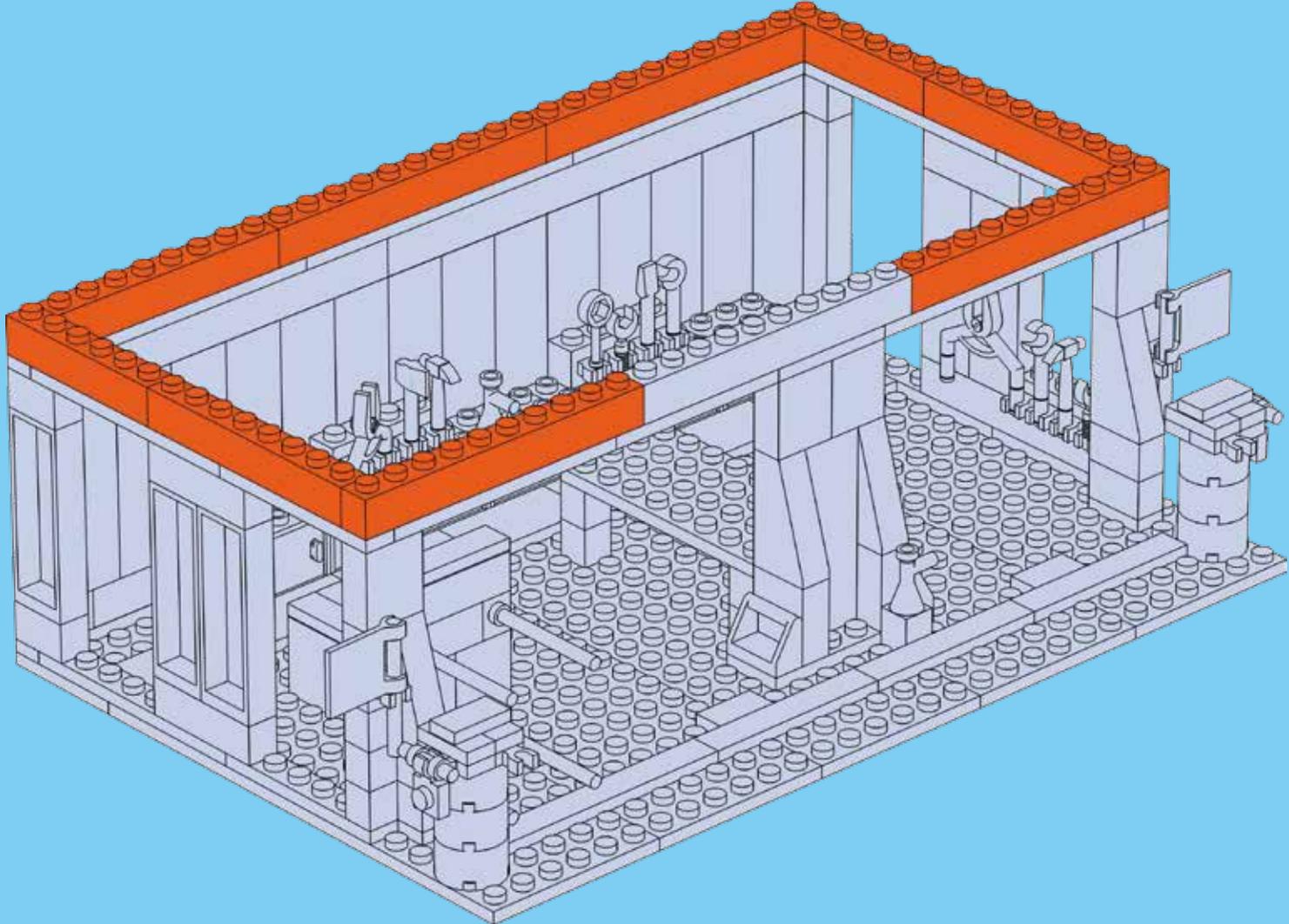


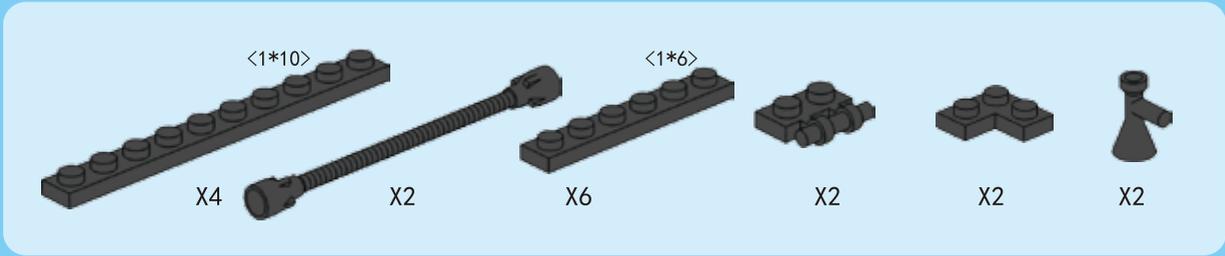
64



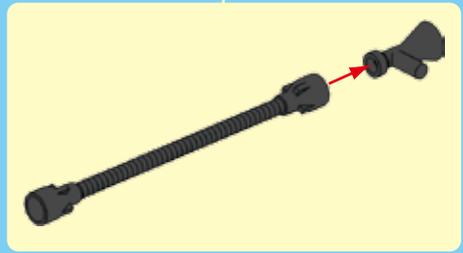
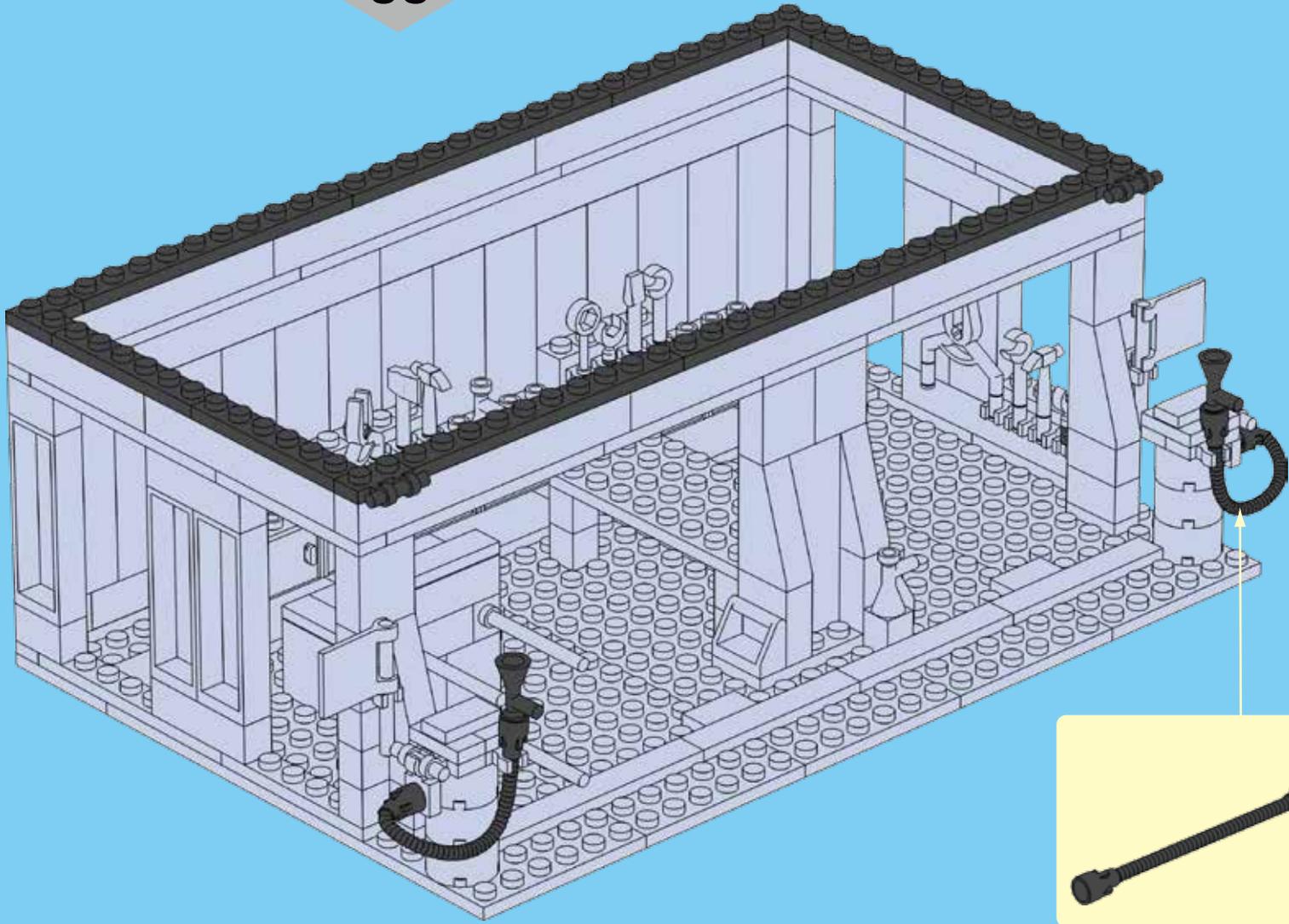


65





66



<1*10>
 X2

X2

X2

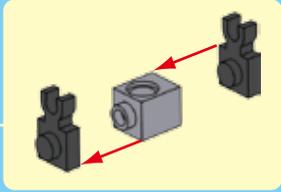
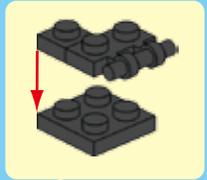
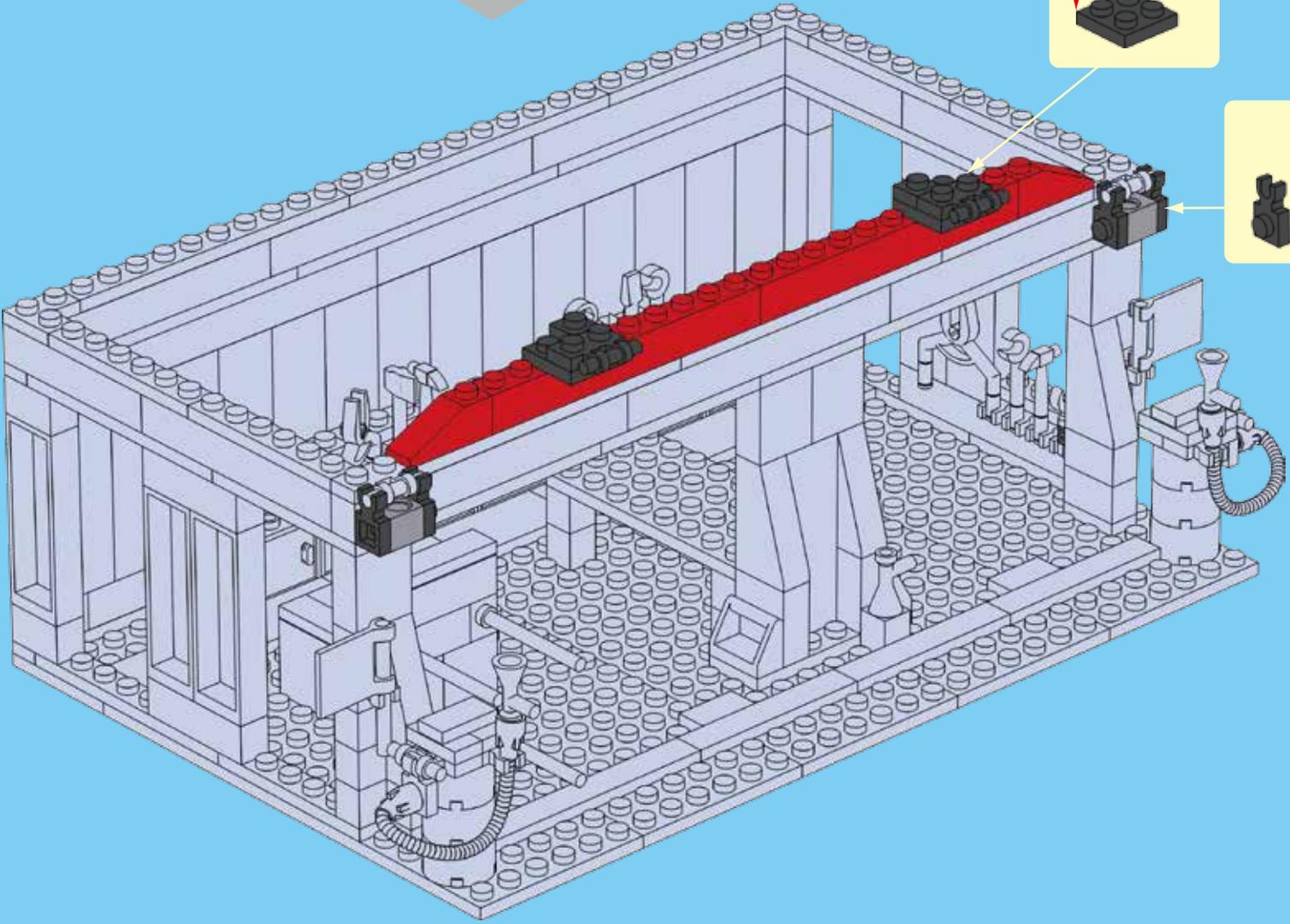
X2

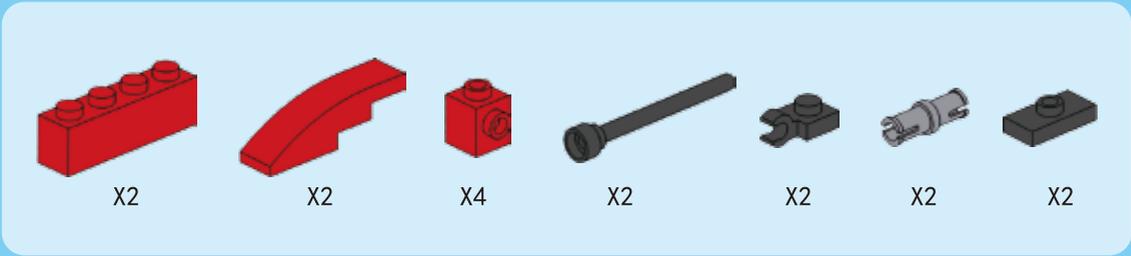
X4

X2

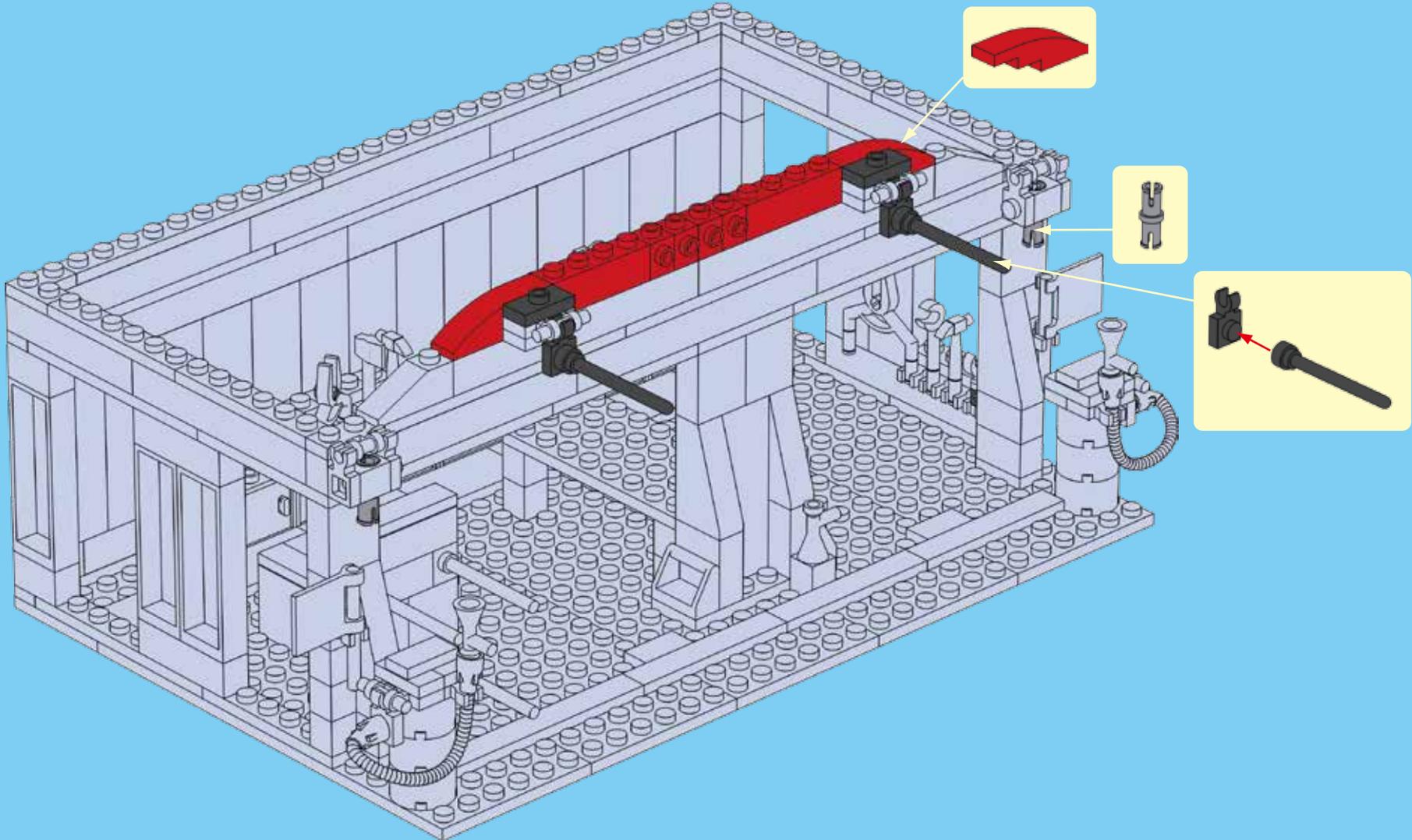
X2

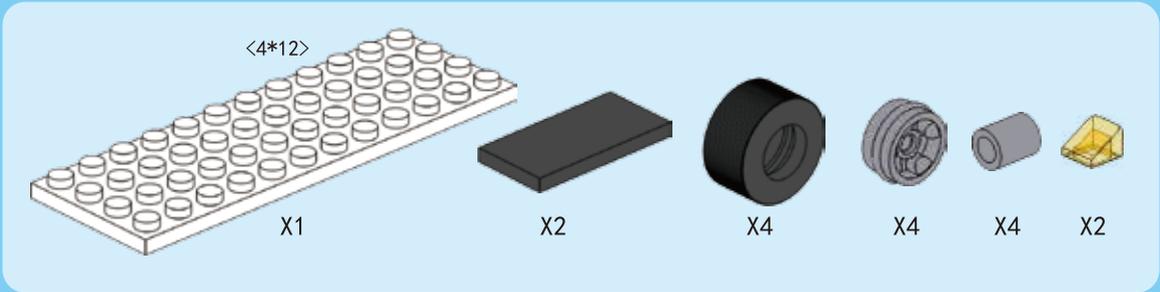
67



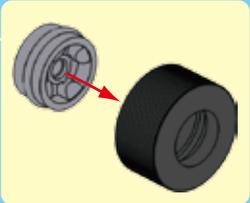
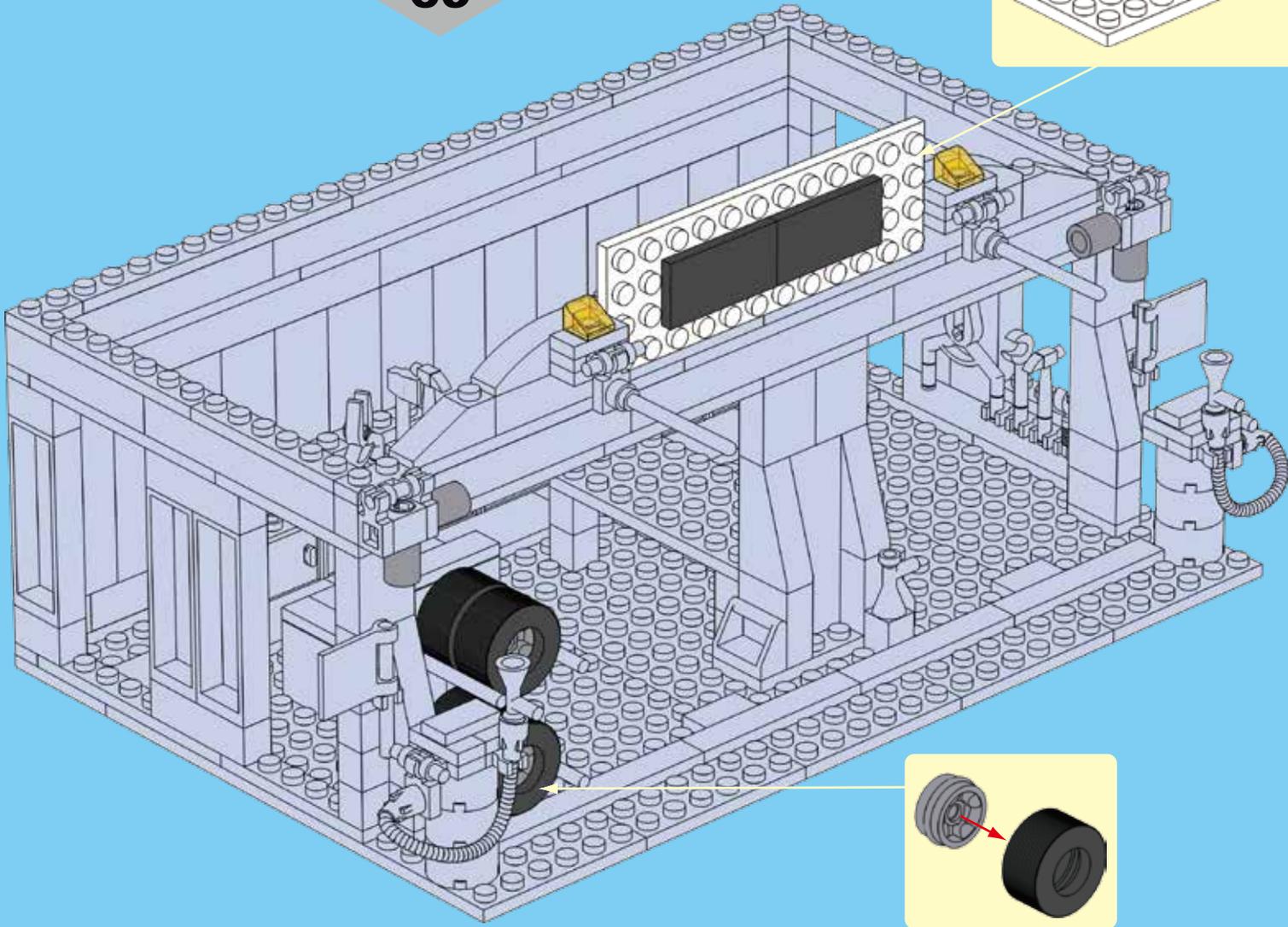
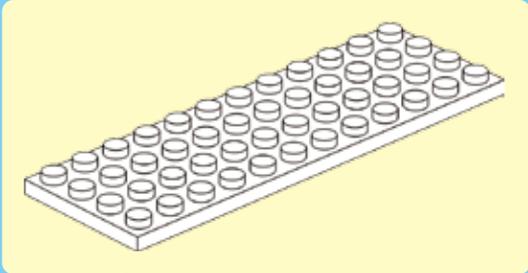


68





69



RACING



RACING

NO.26702



6+ AGES