

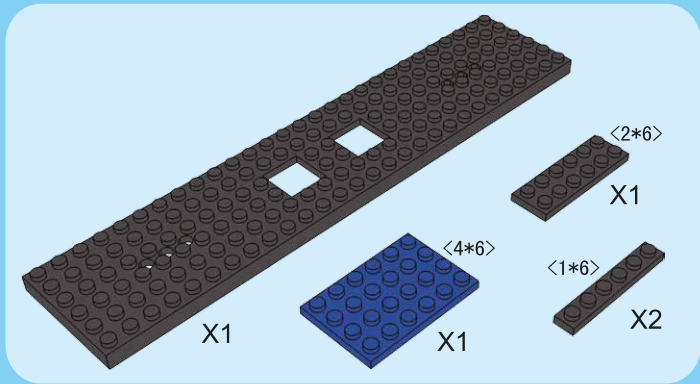
RAILROAD CONVEYANCE

TRAINS

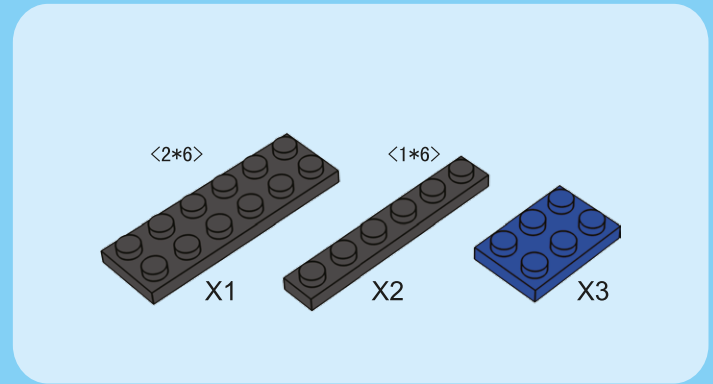
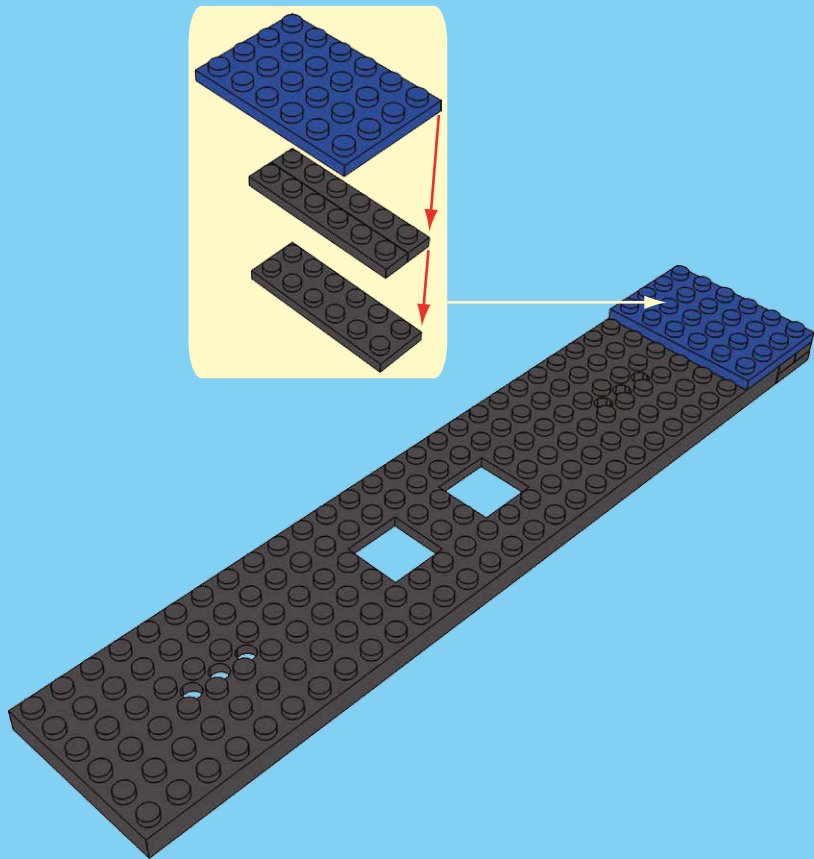
NO. 25808



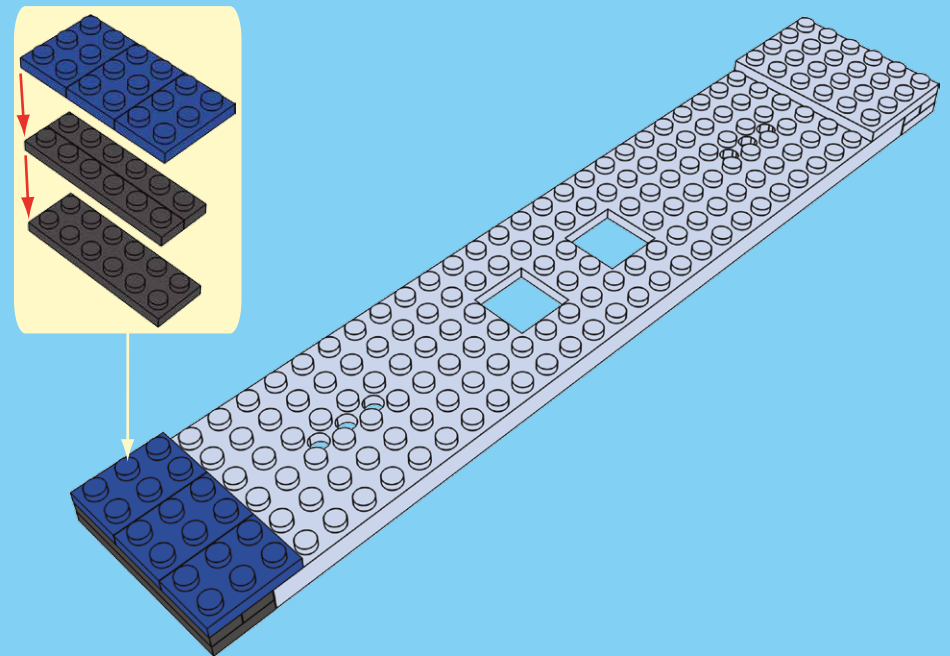
6+ AGES
CAPTAIN

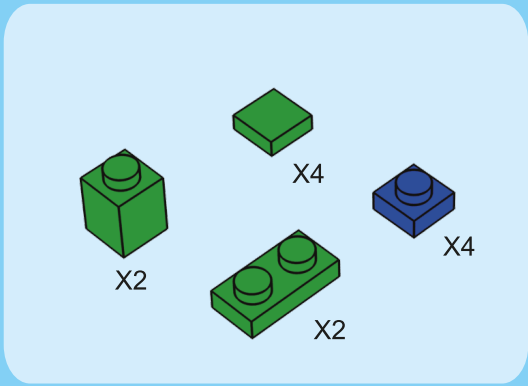


1

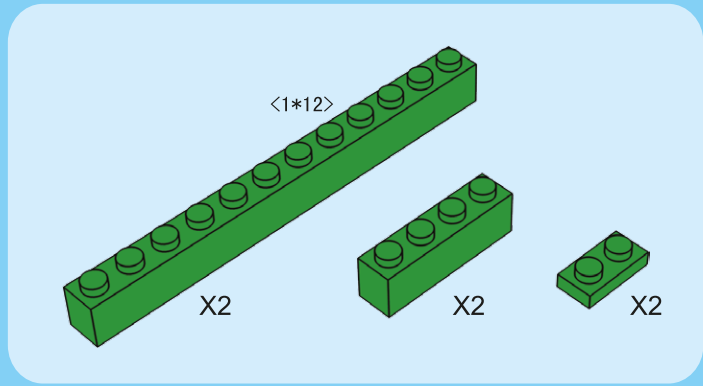
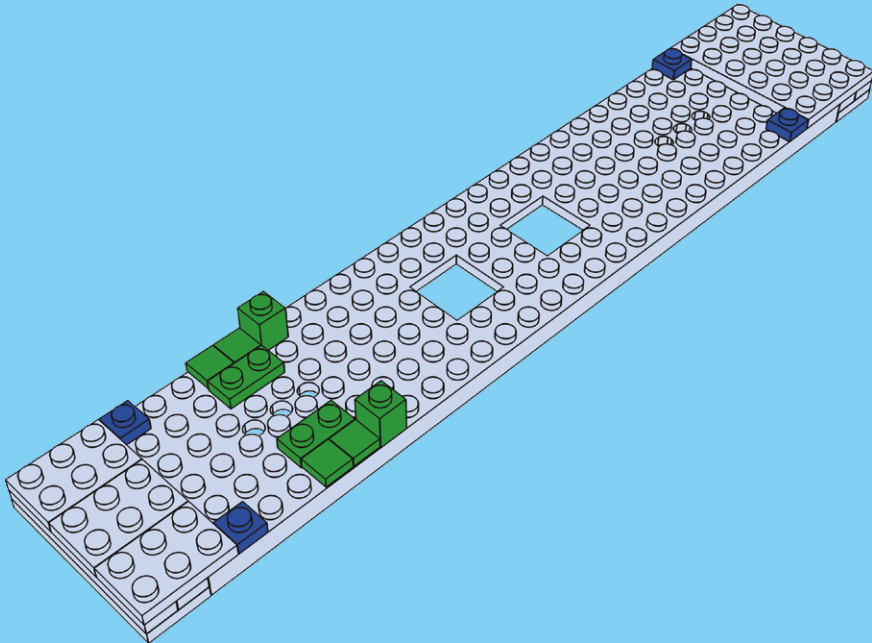


2

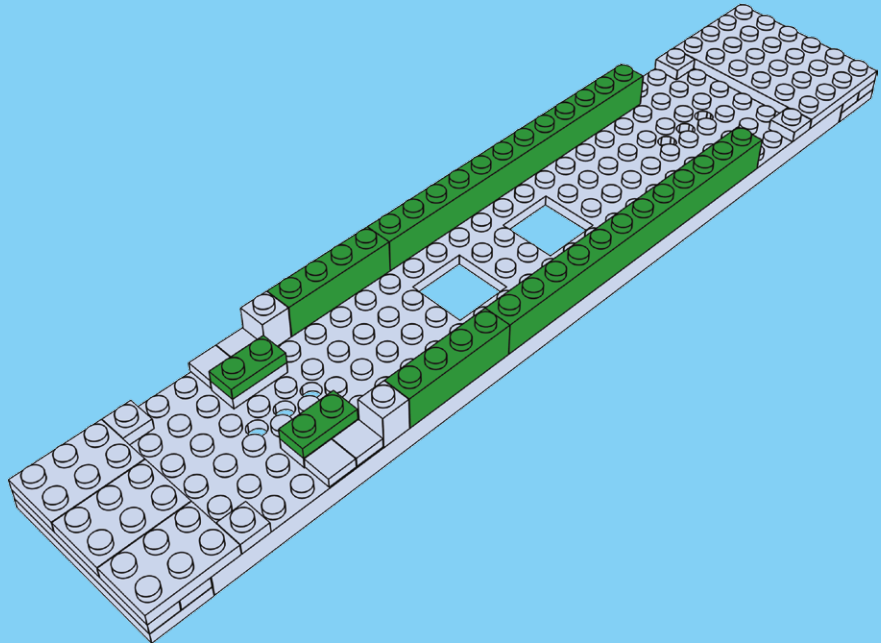


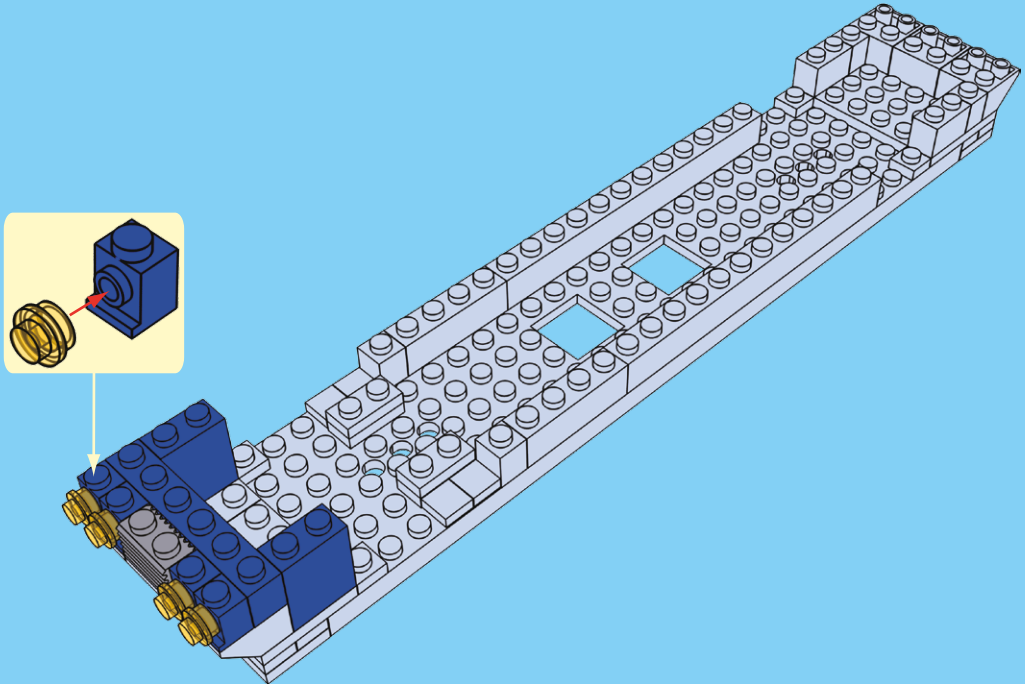
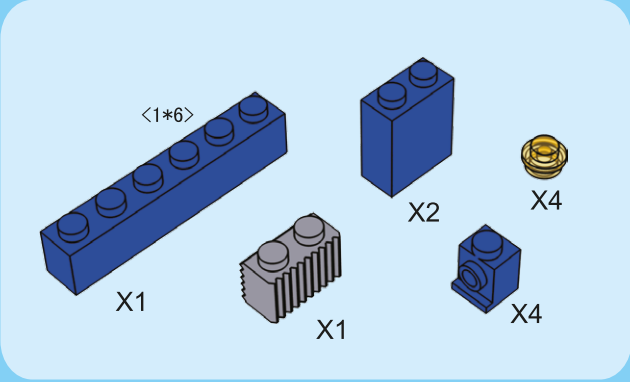
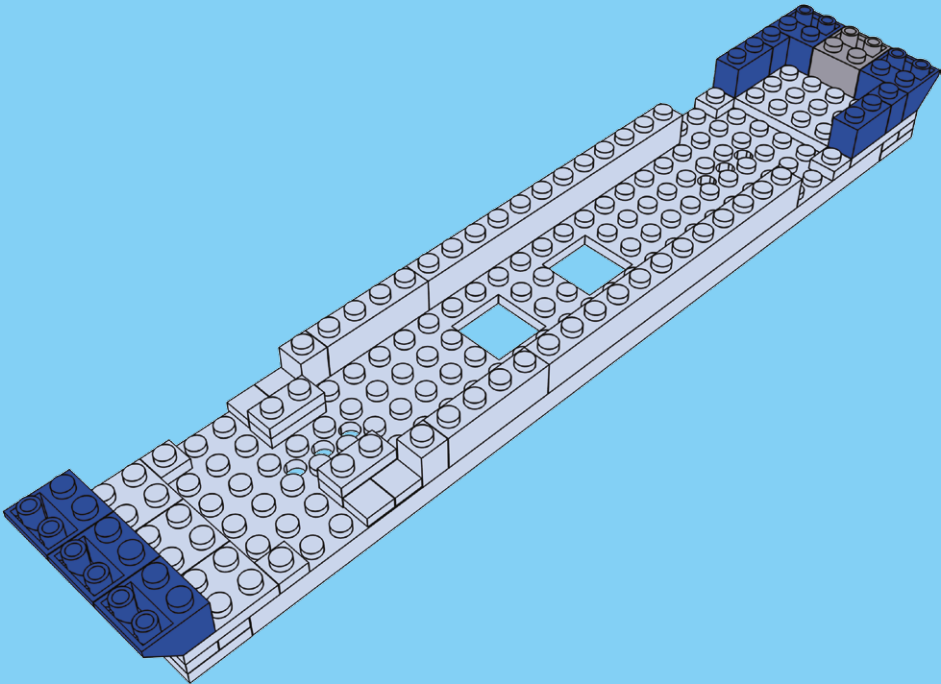
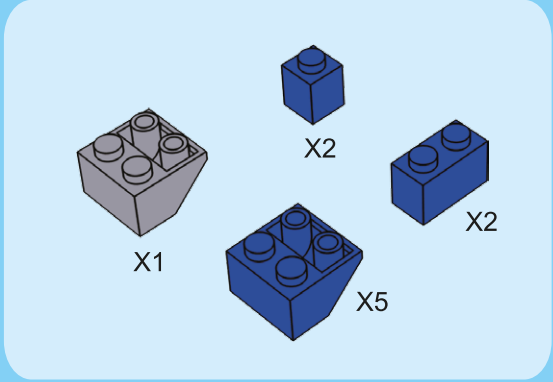


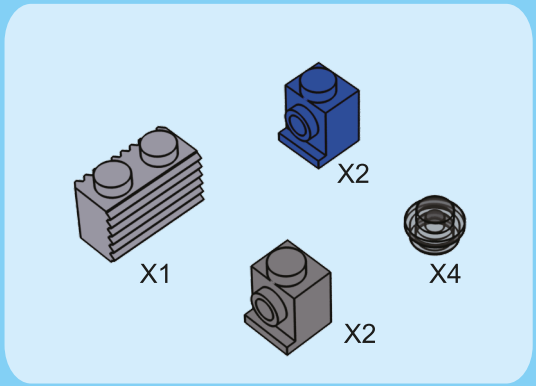
3



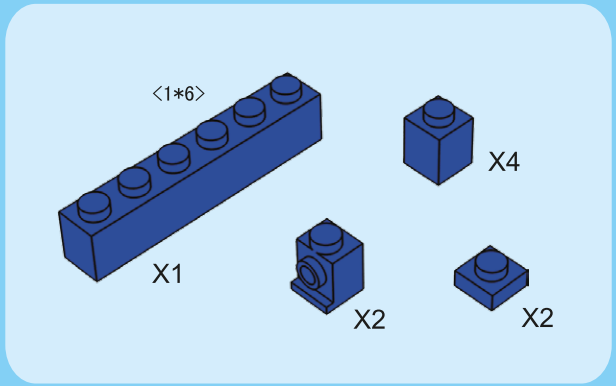
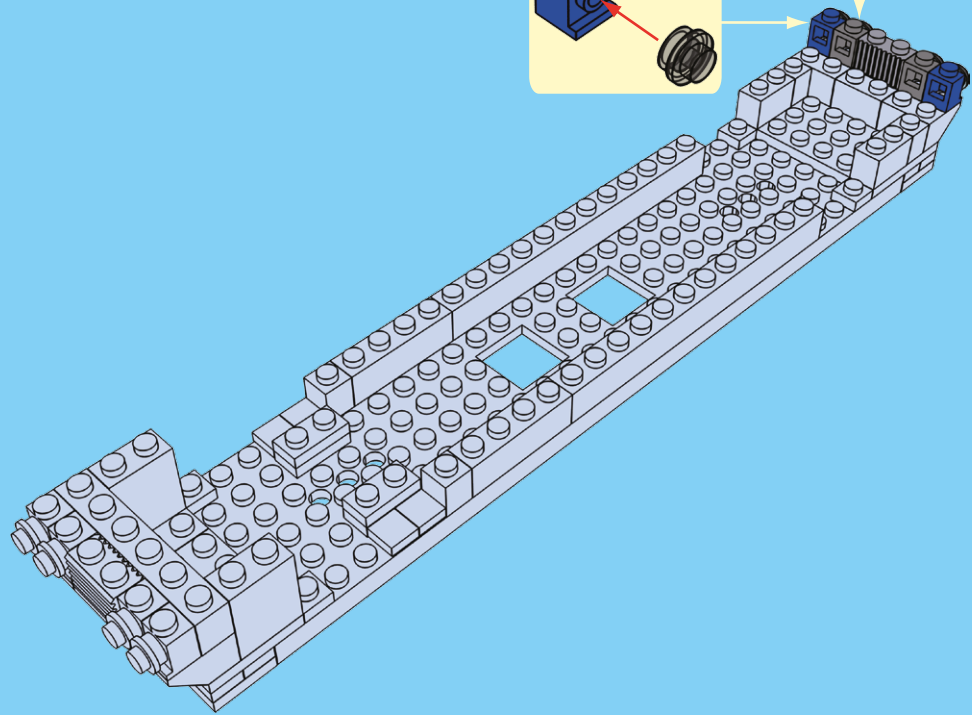
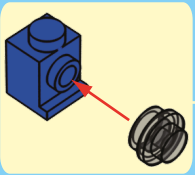
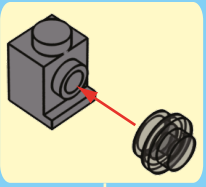
4



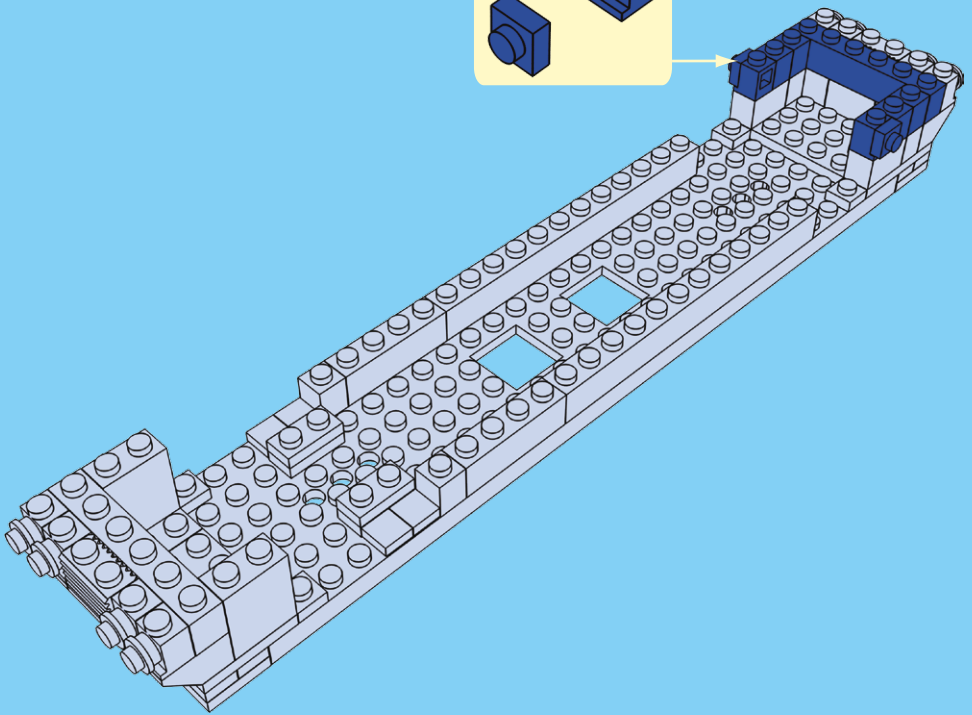
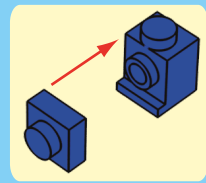


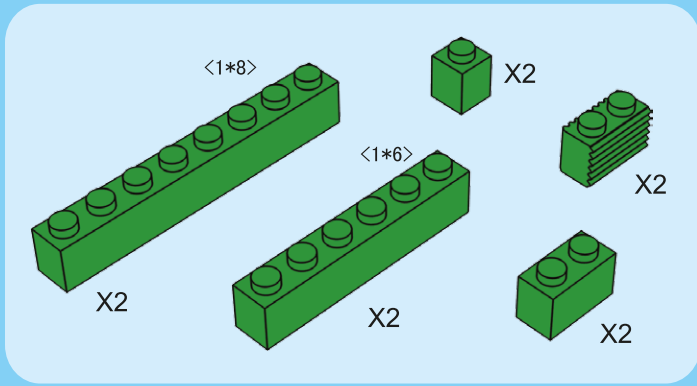


7

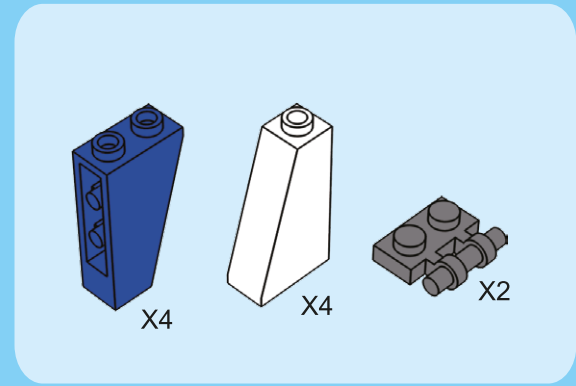
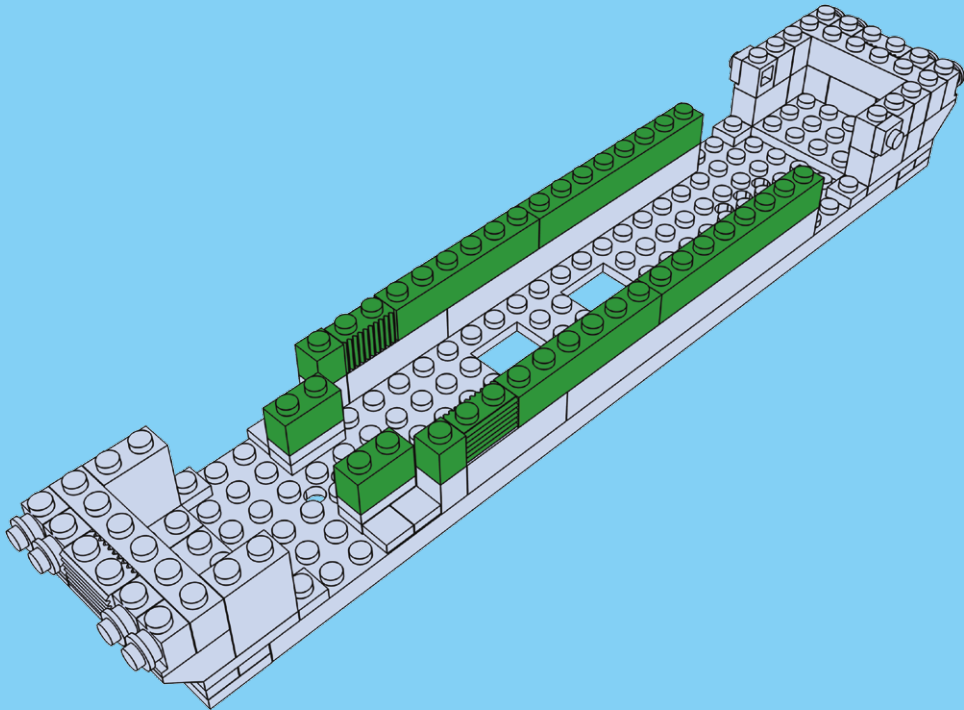


8

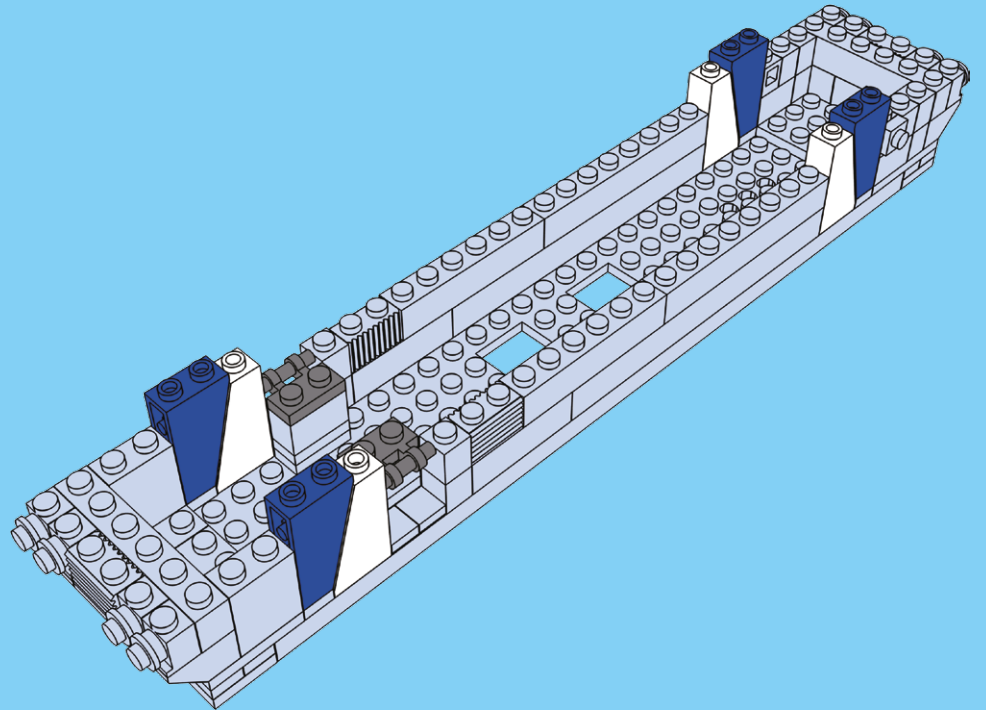


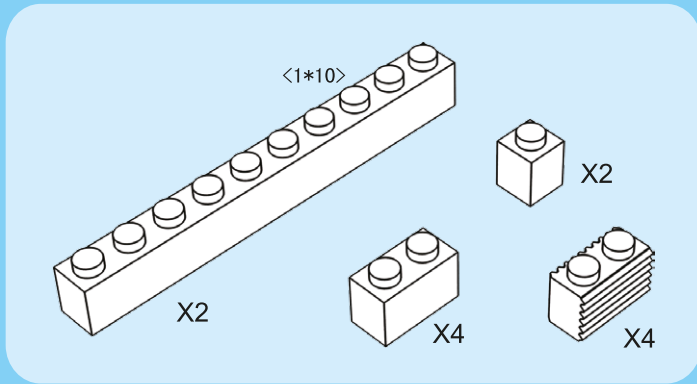


9

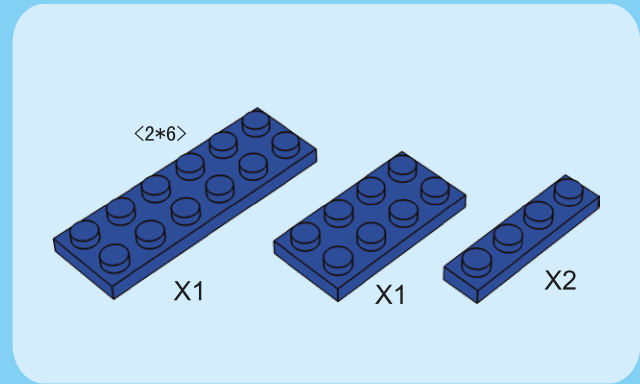
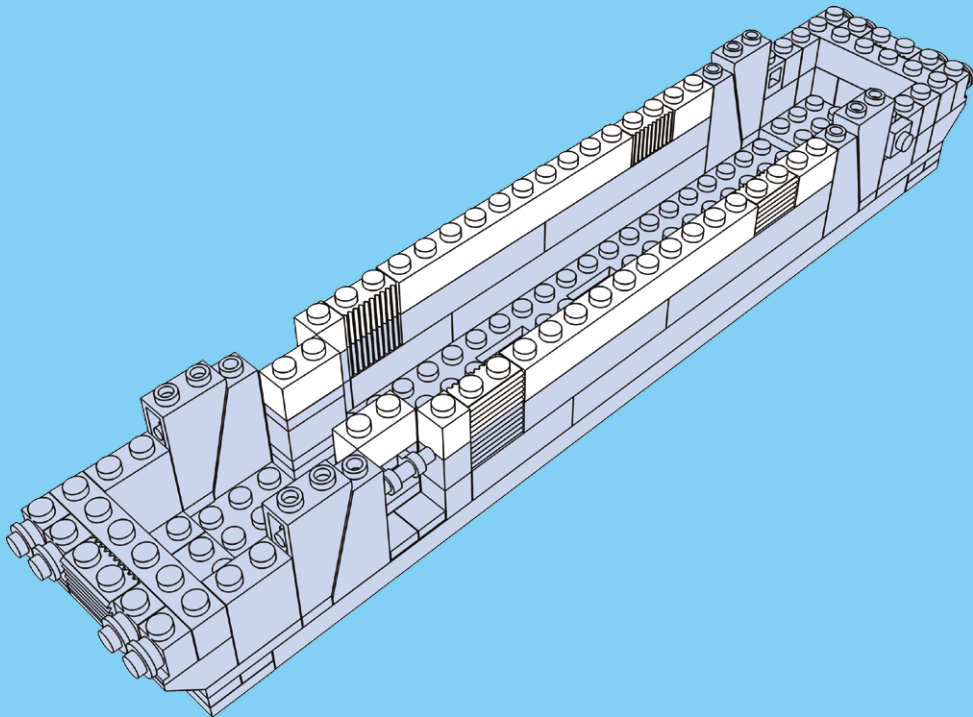


10

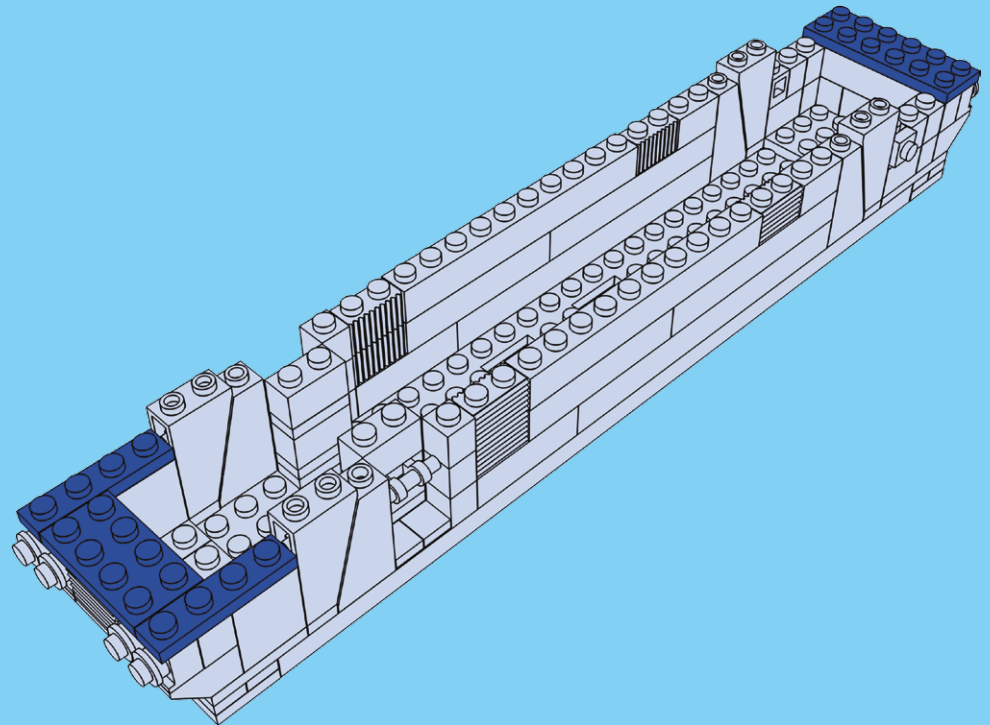


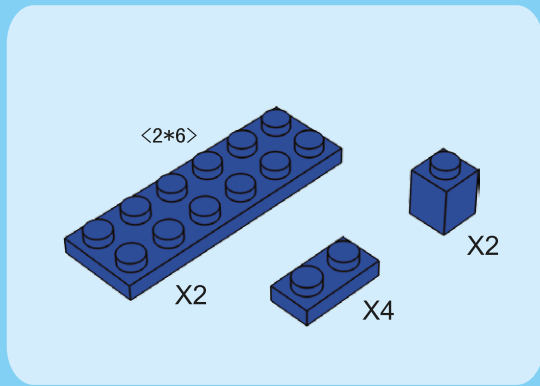


11

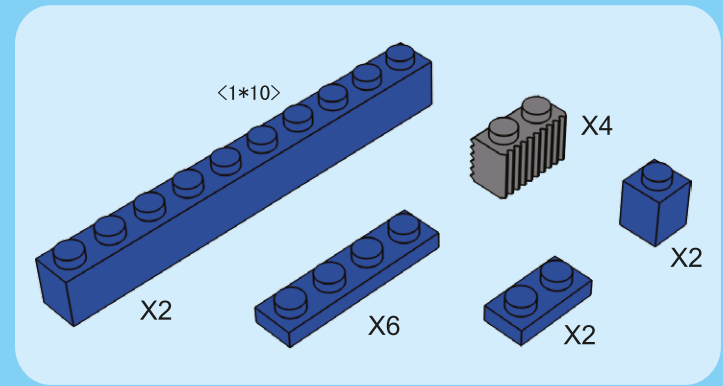


12

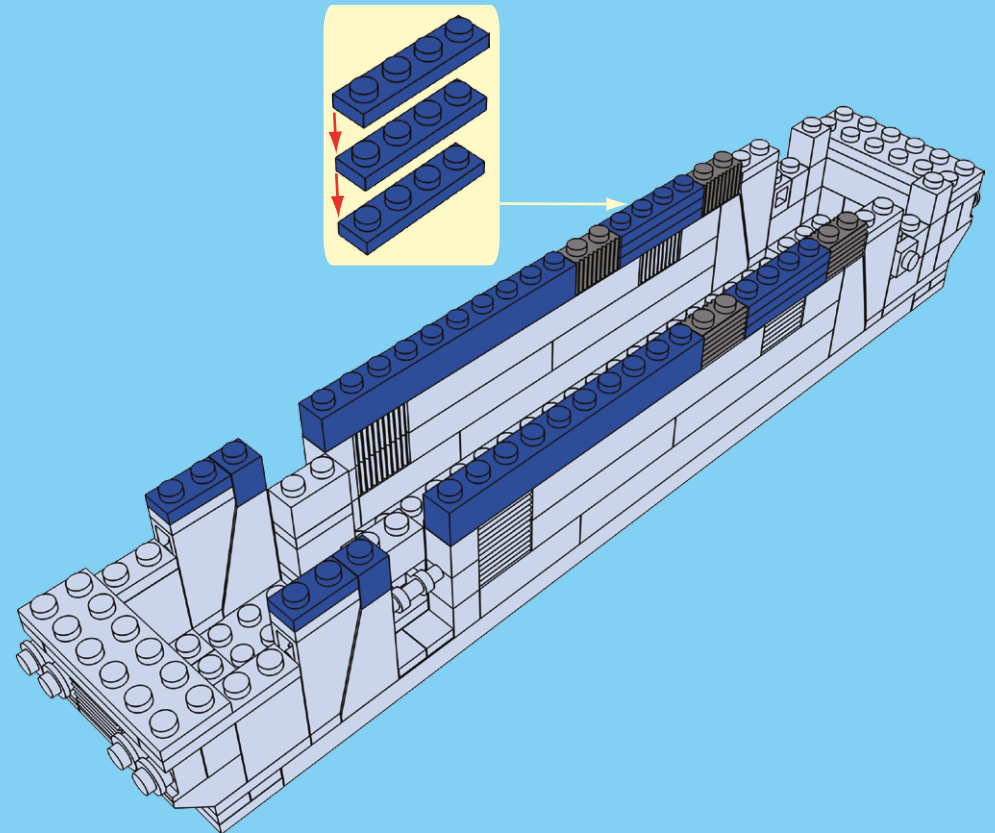
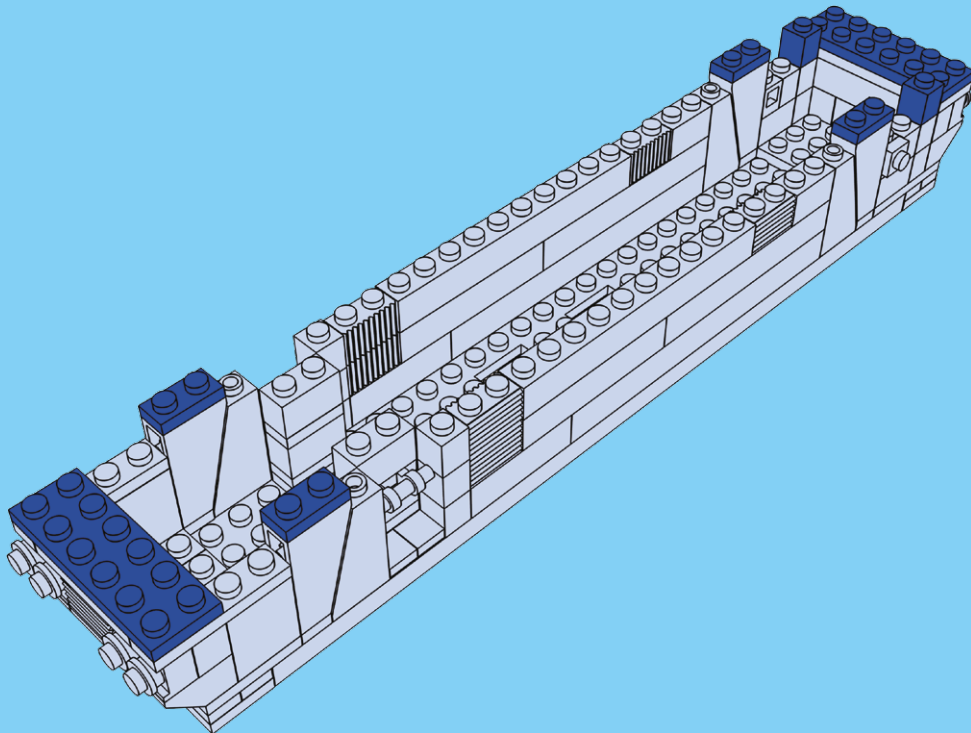


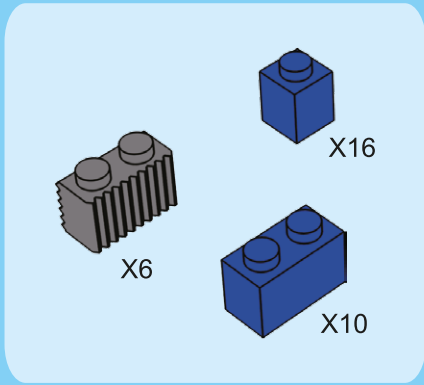


13

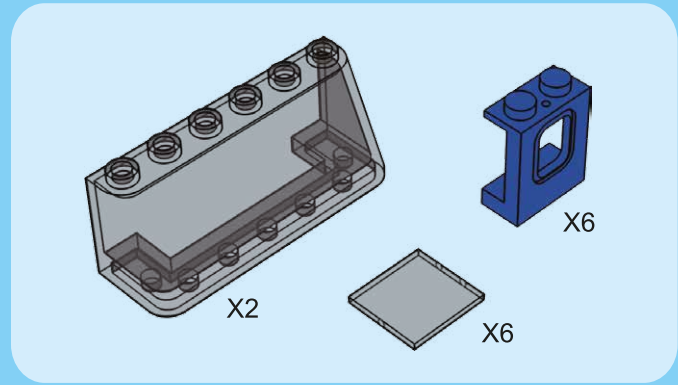
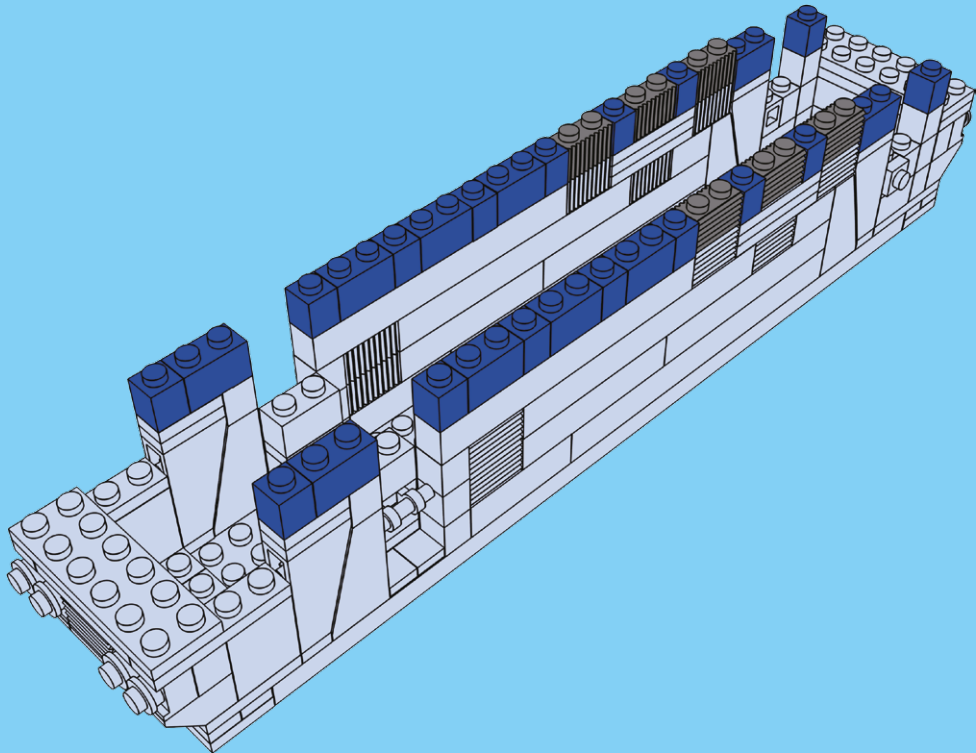


14

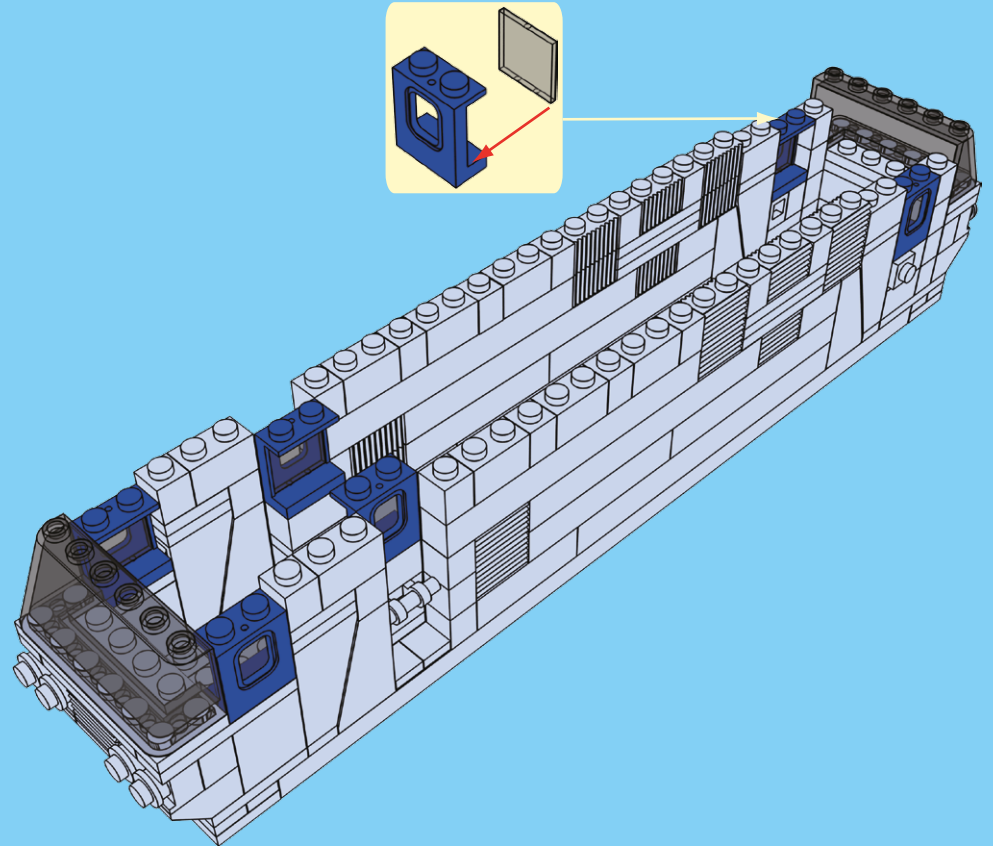


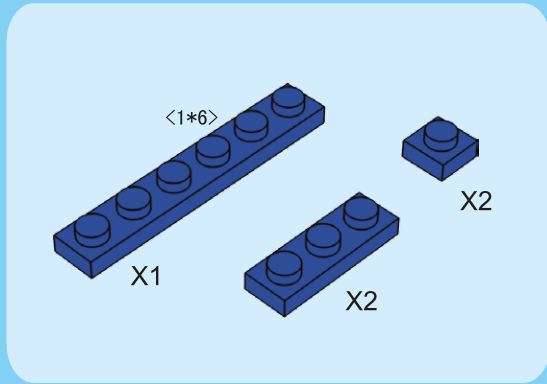


15

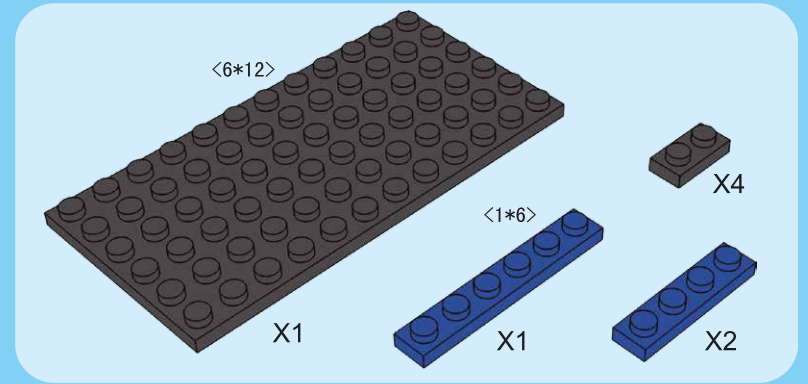


16

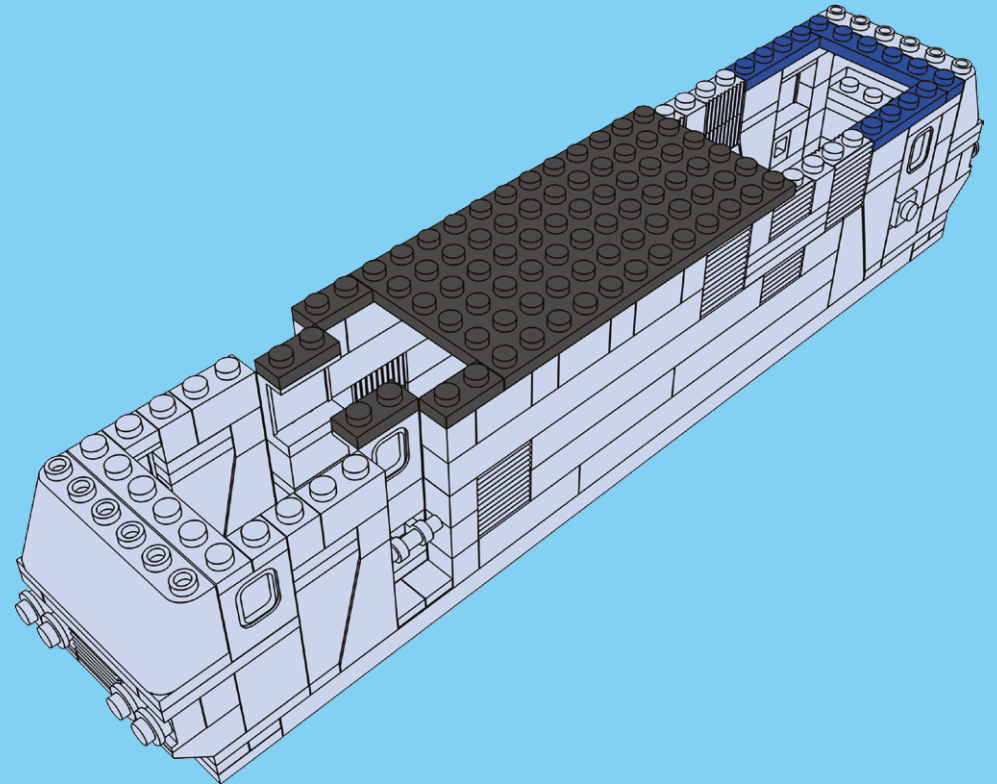
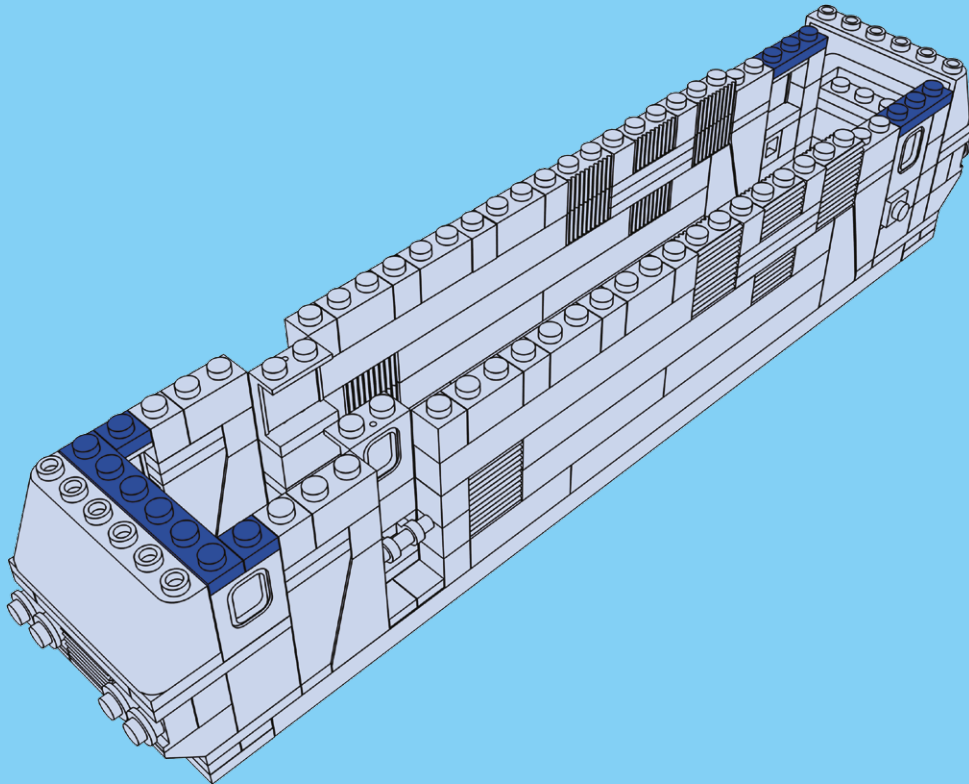


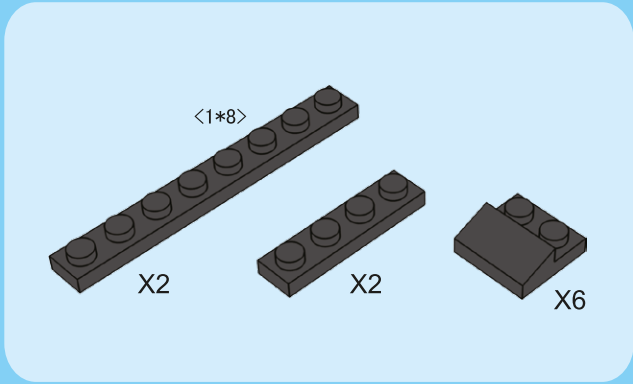


17

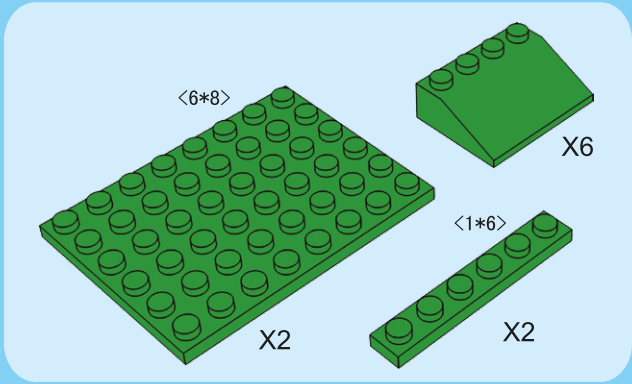
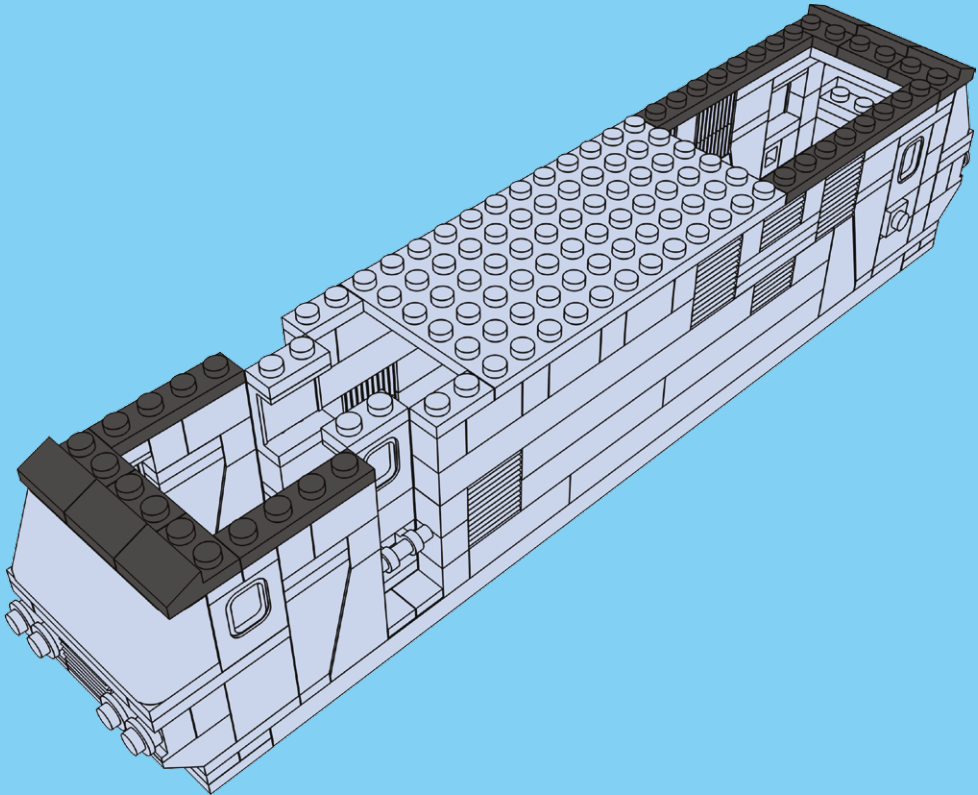


18

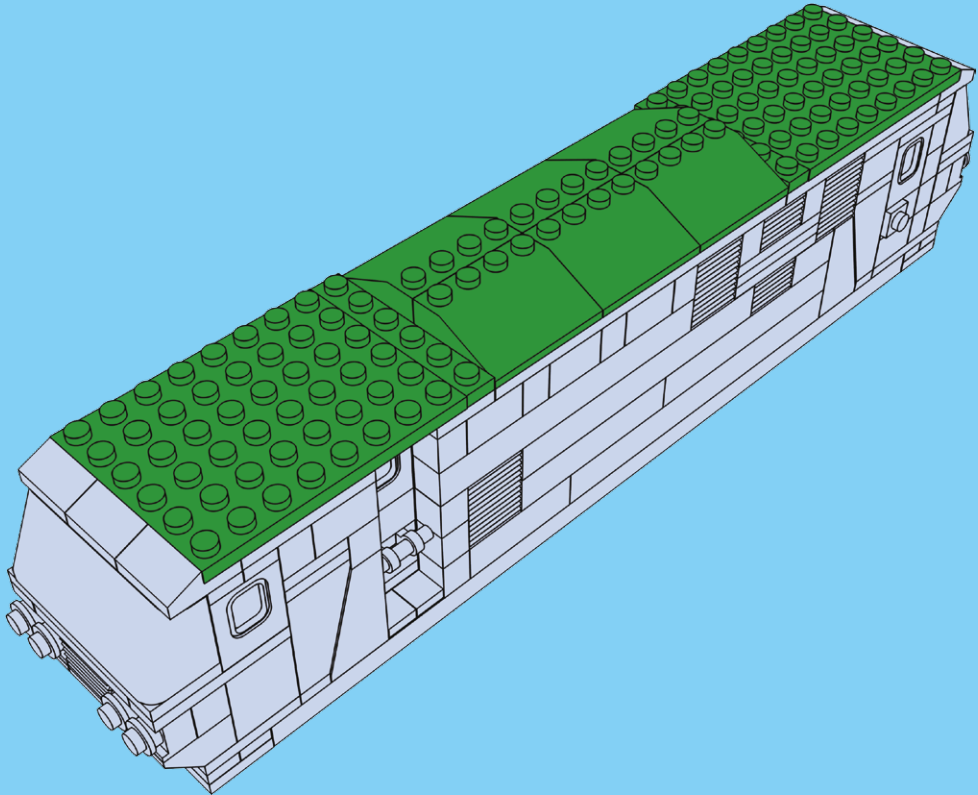


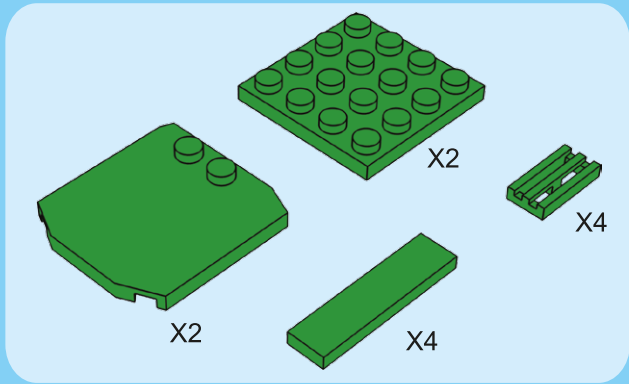


19

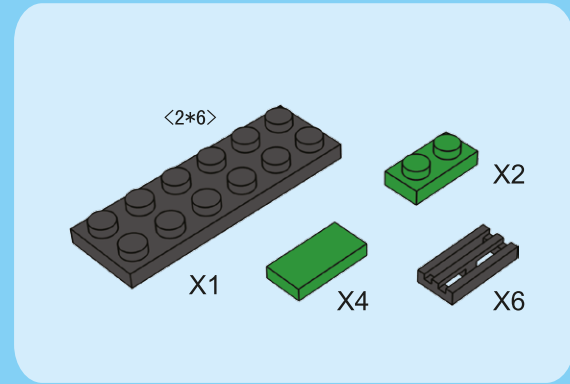
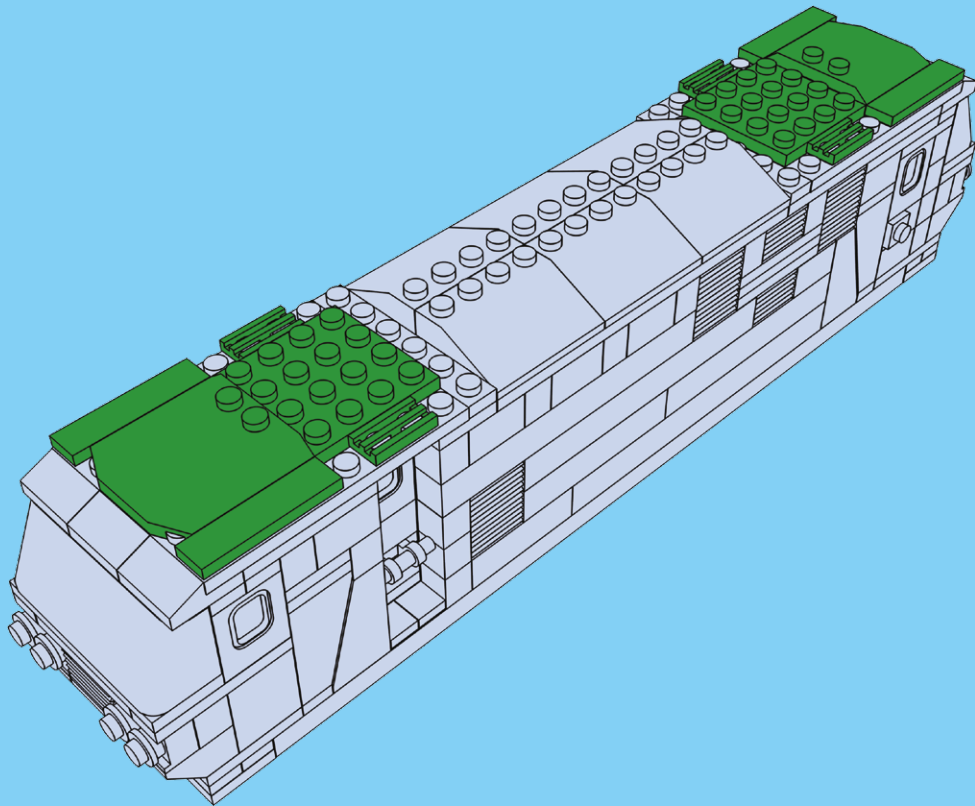


20

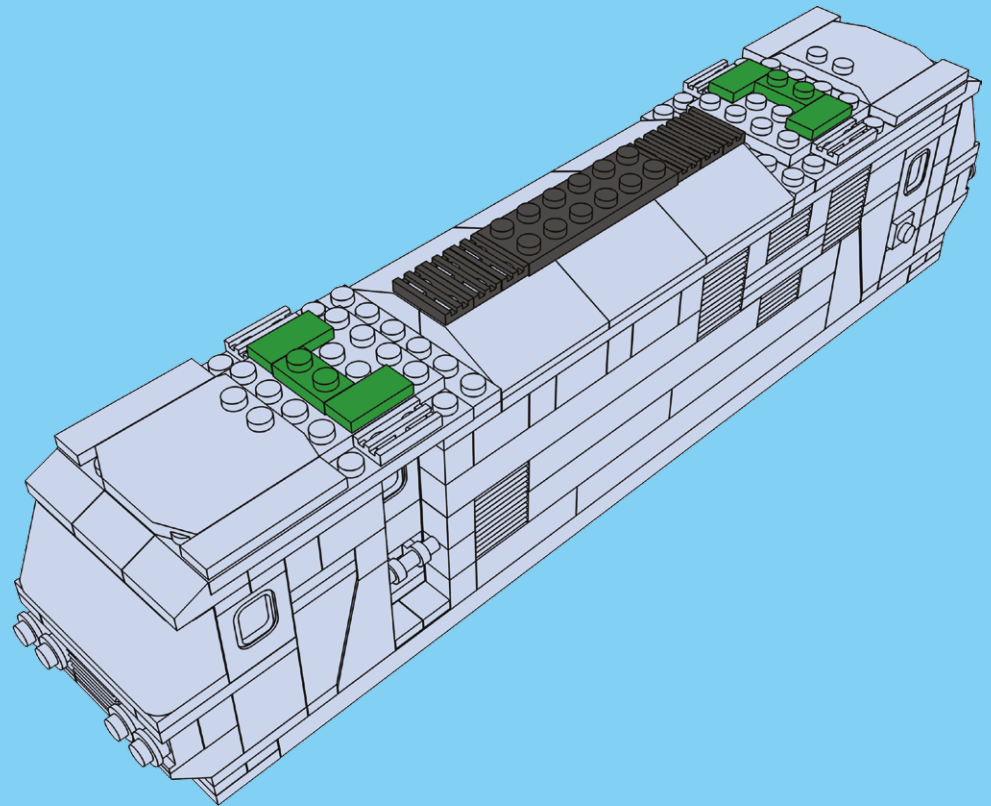


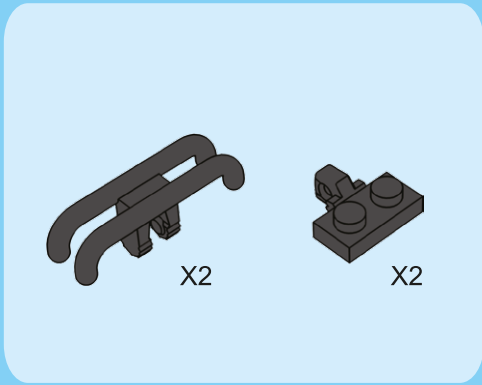


21

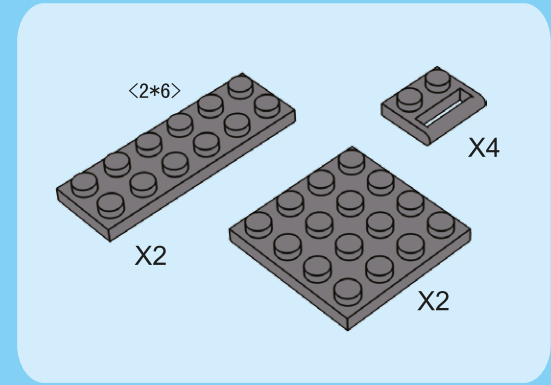
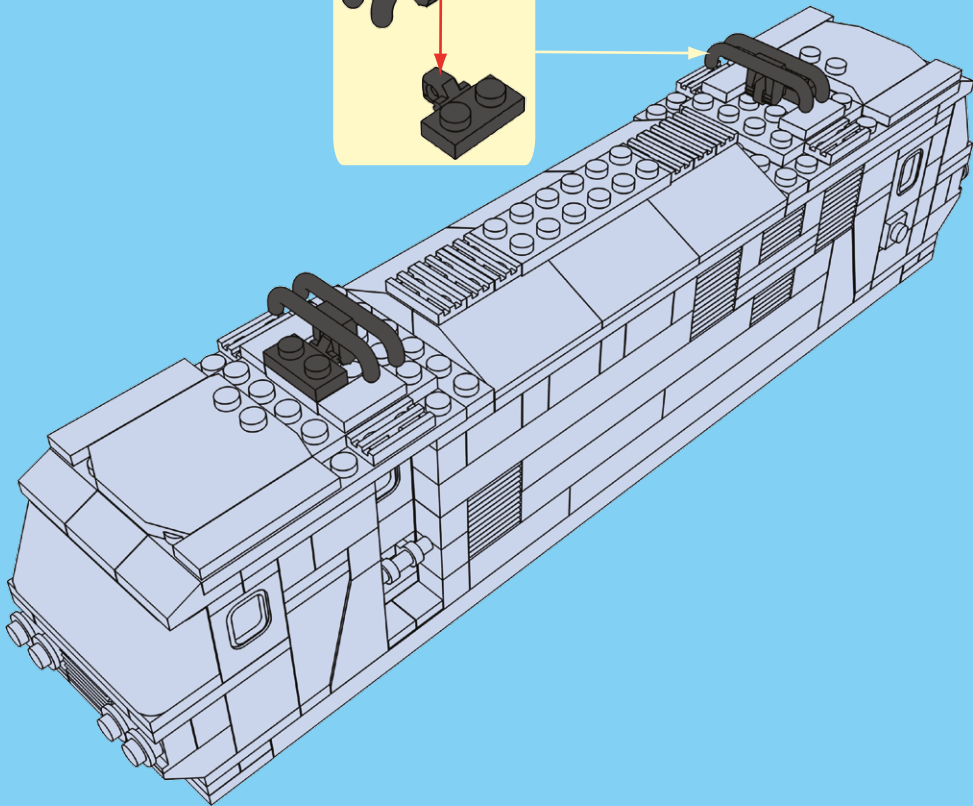
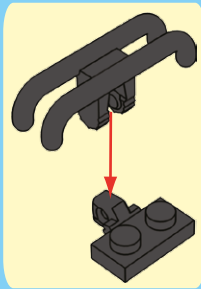


22

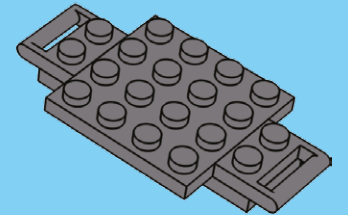
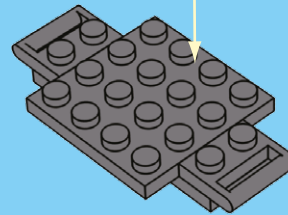
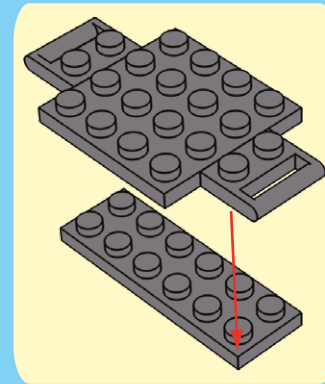


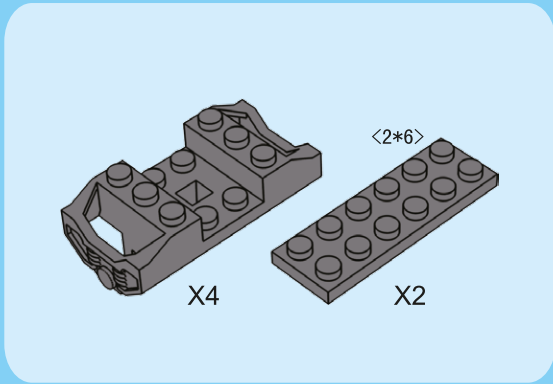


23

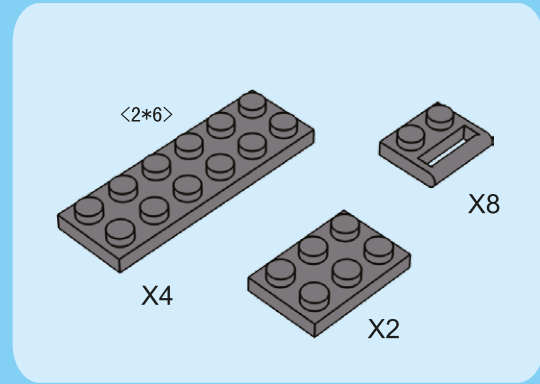


24

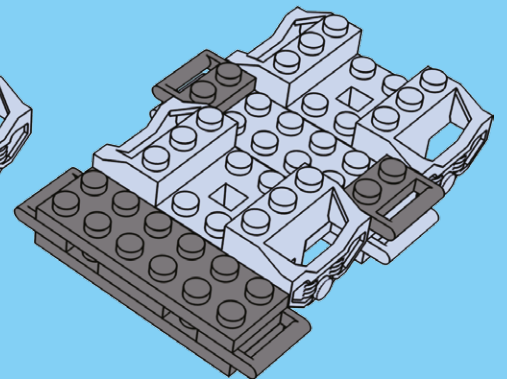
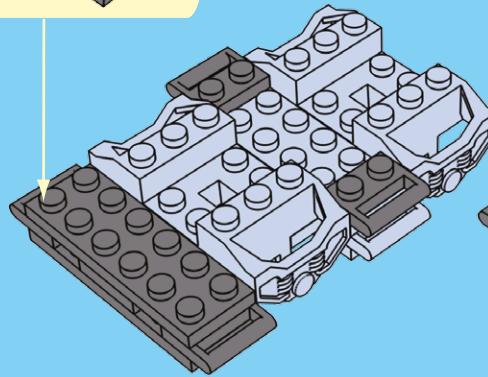
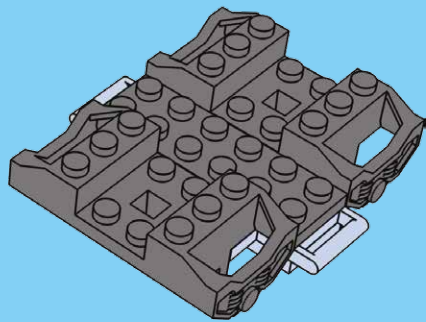
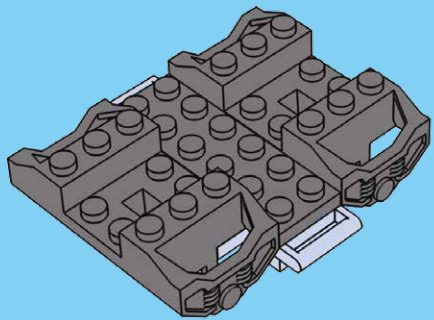
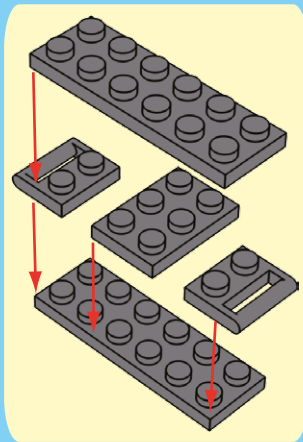


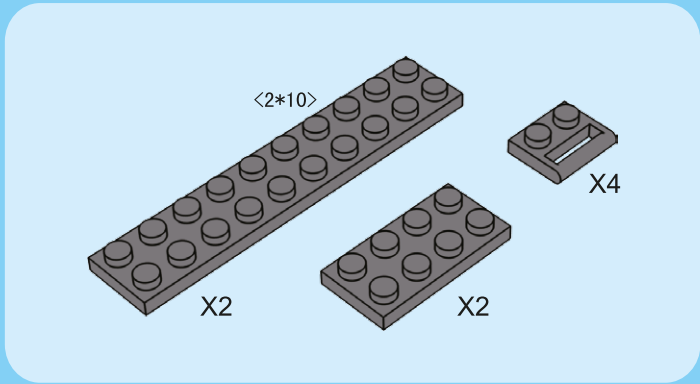


25

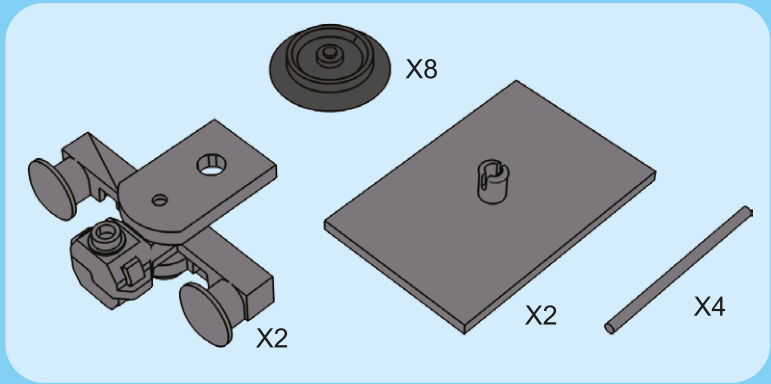


26

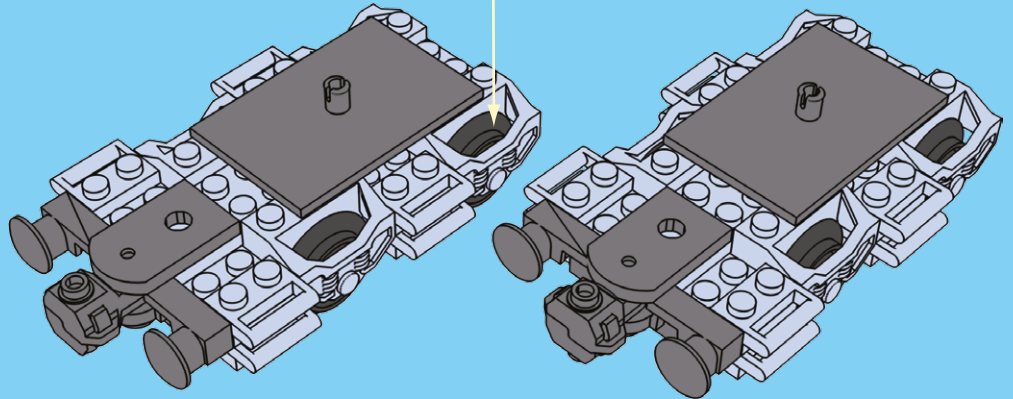
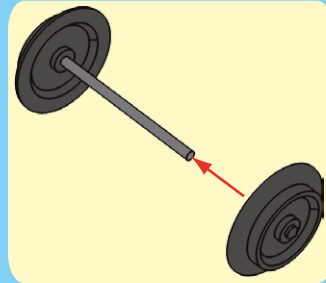
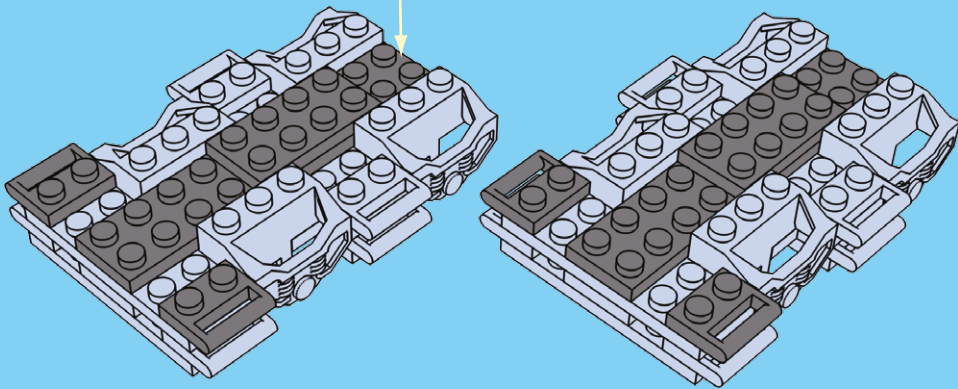
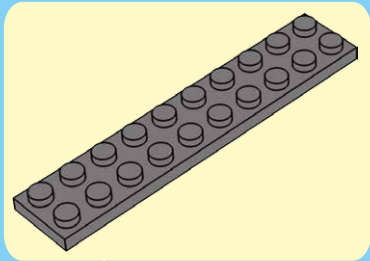


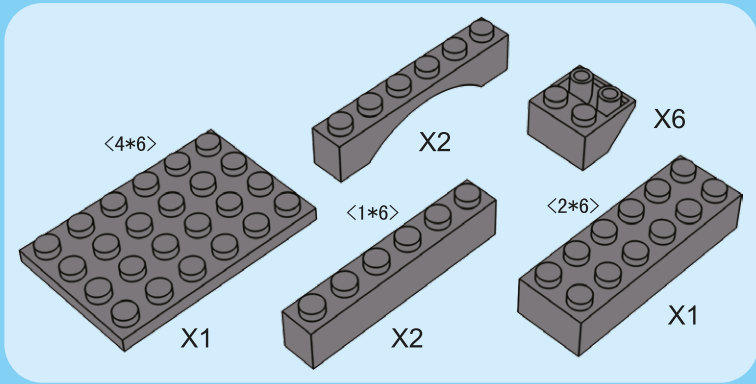


27

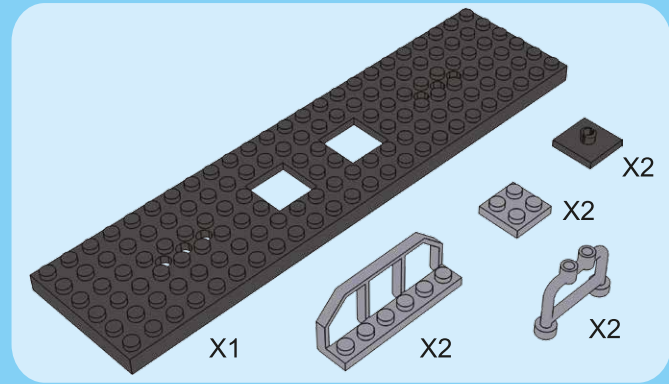


28

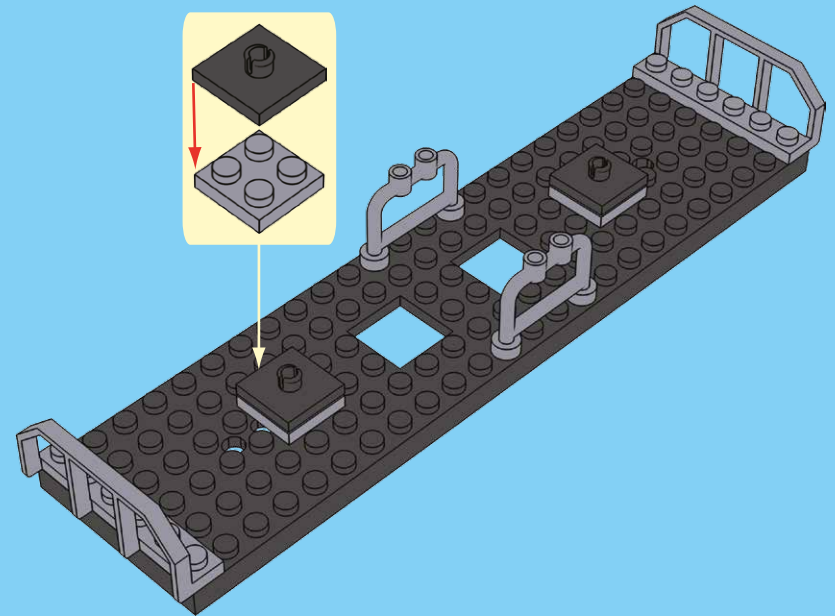
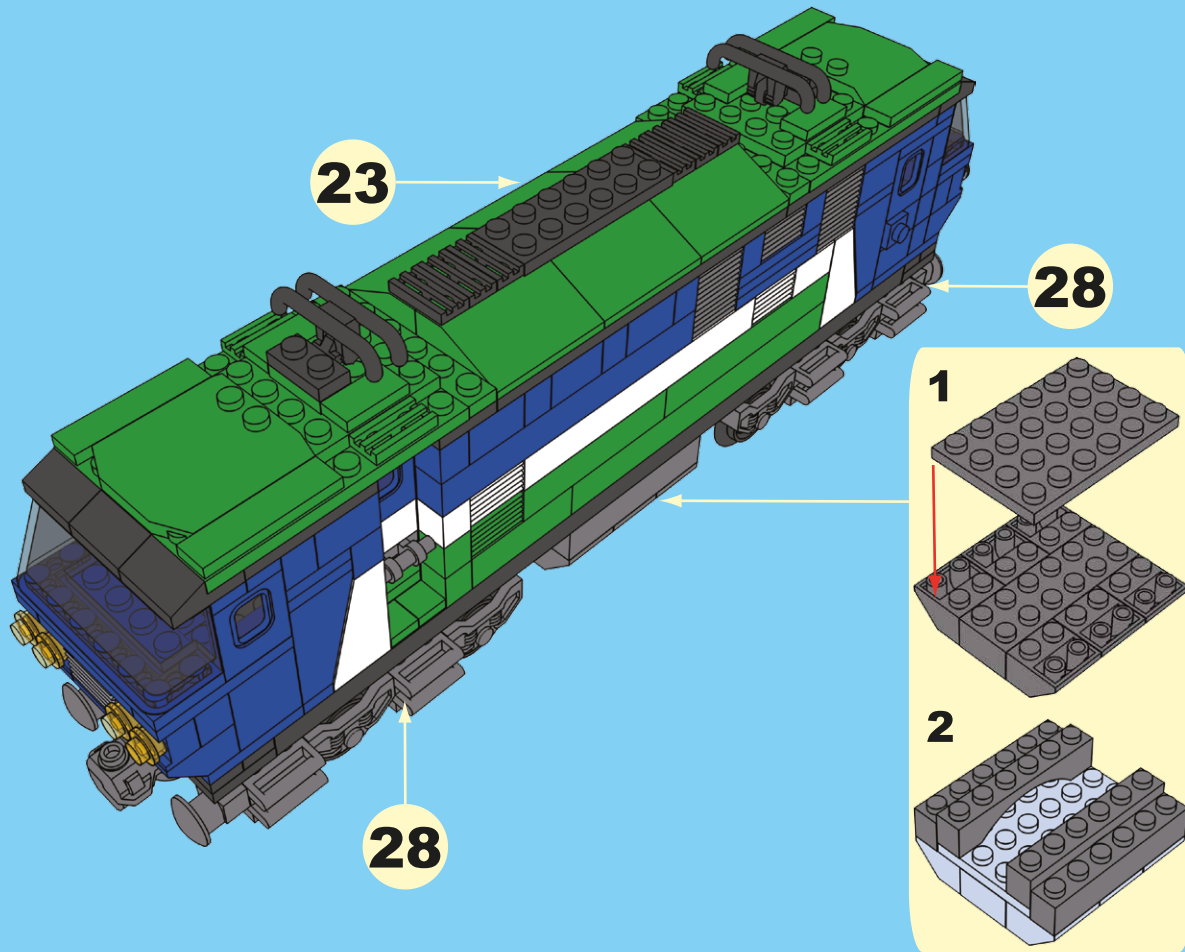


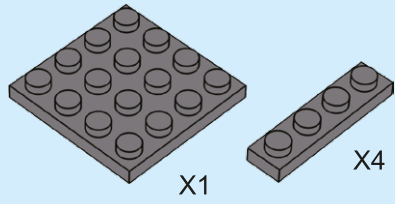


29

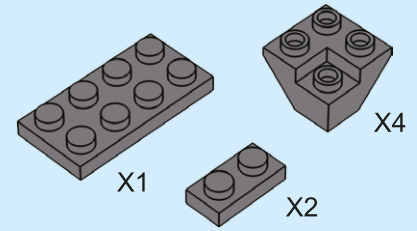
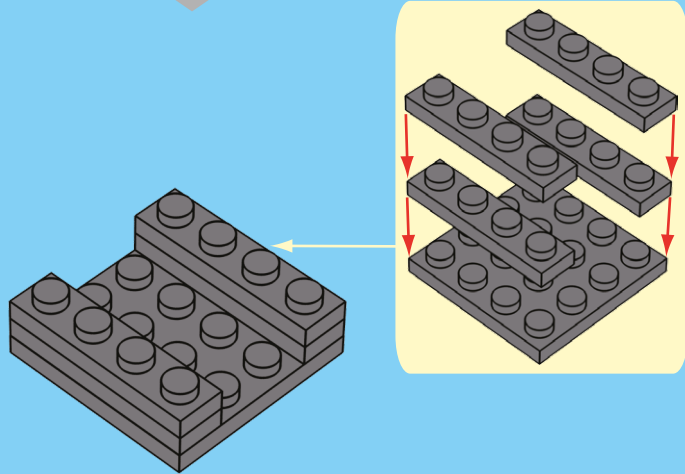


30

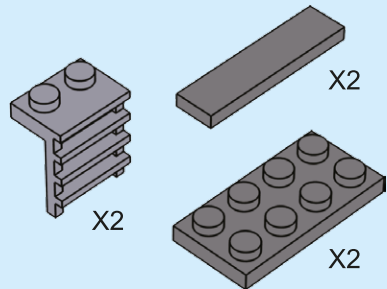
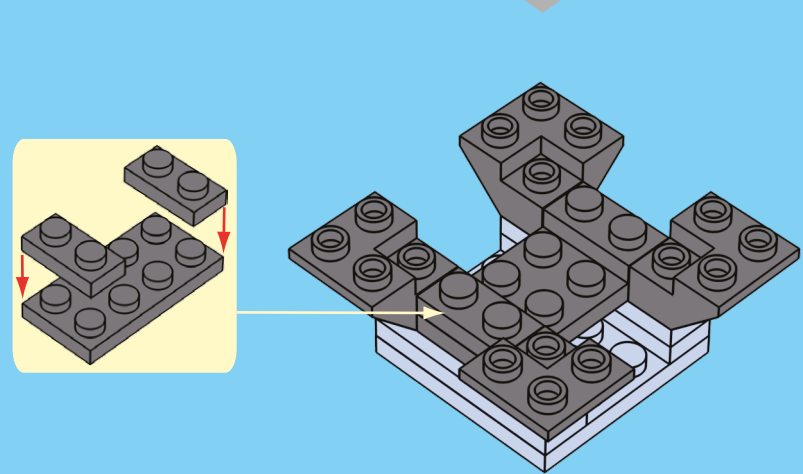




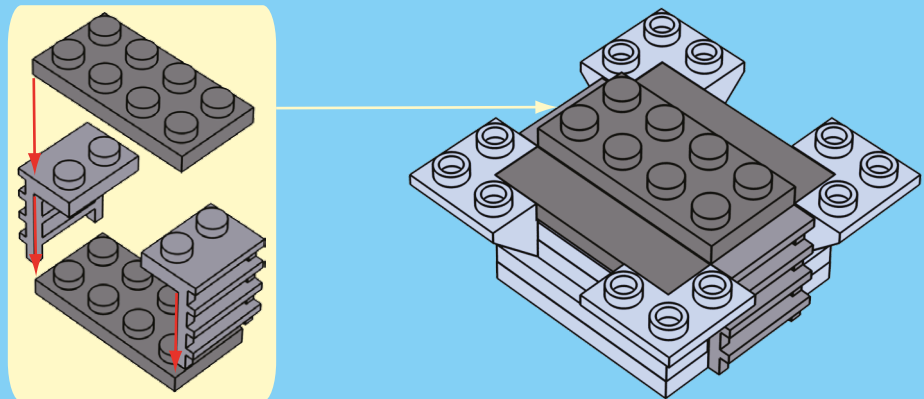
31

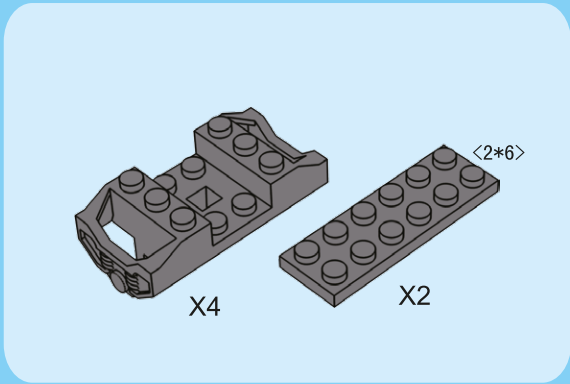


32

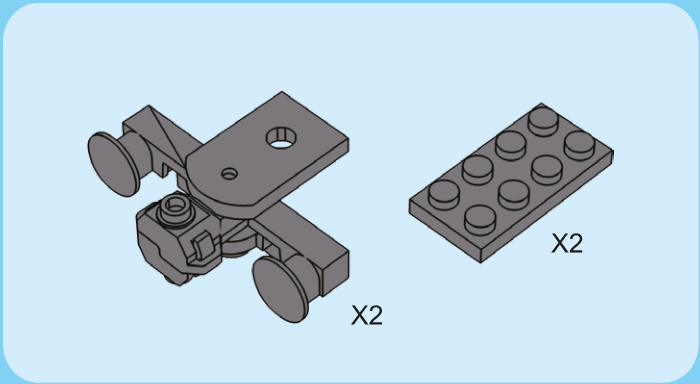


33

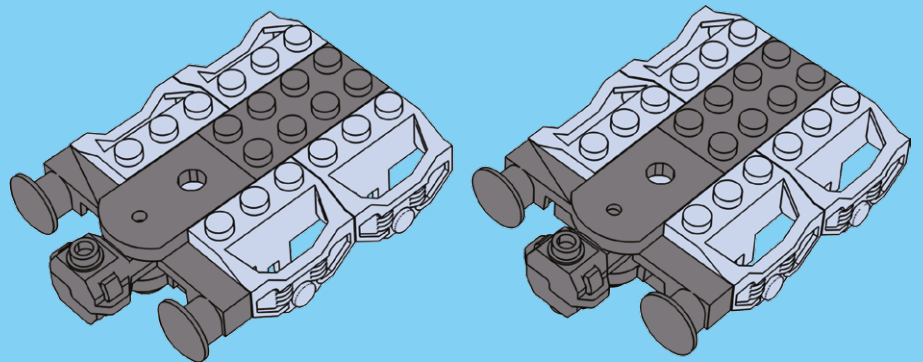
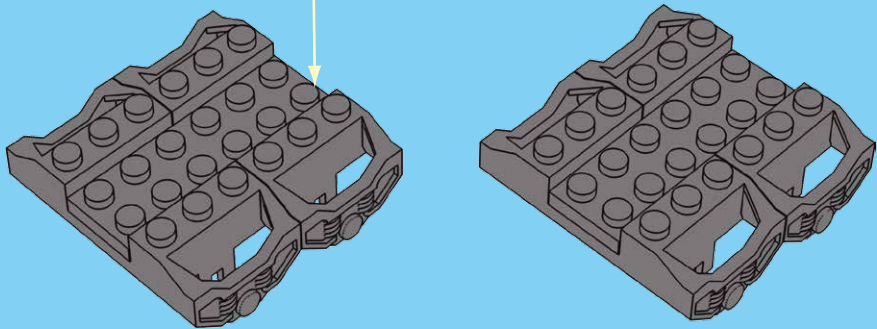
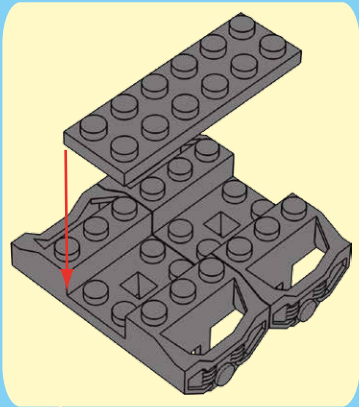


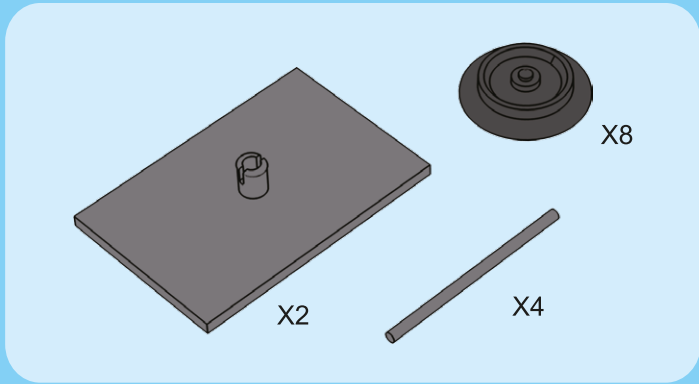


34

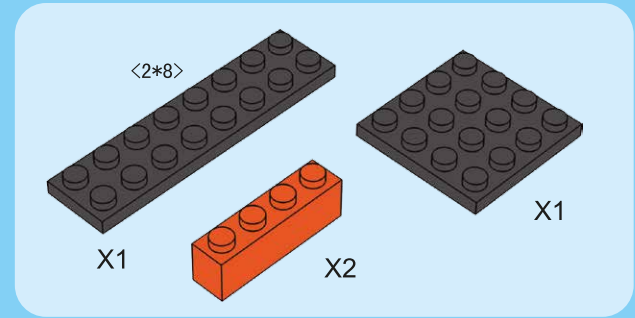
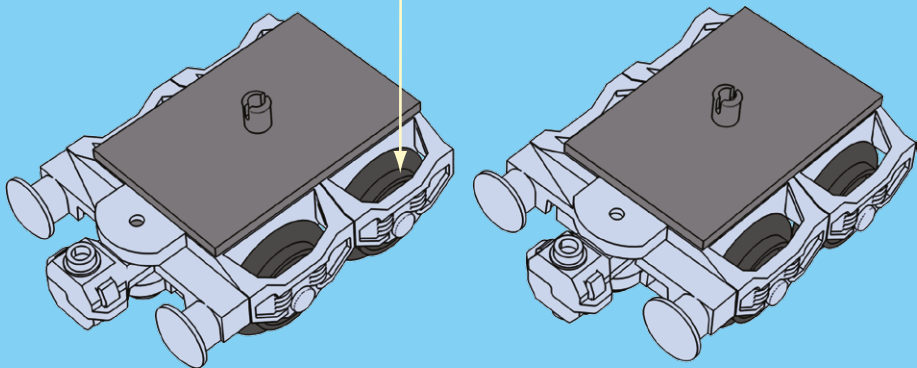
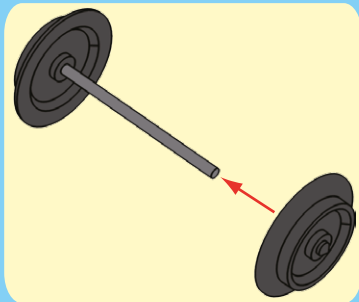


35

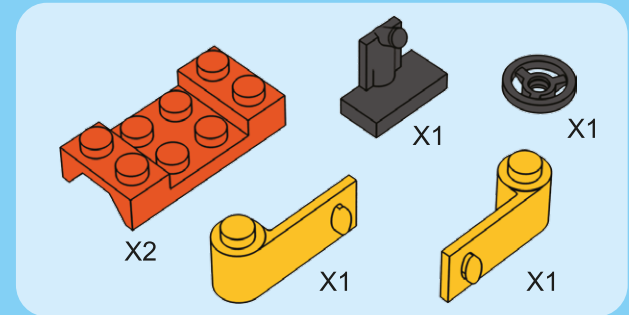
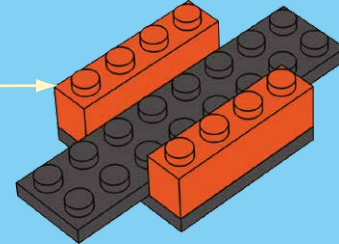
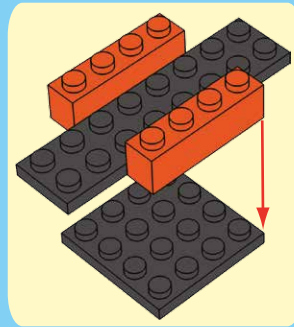




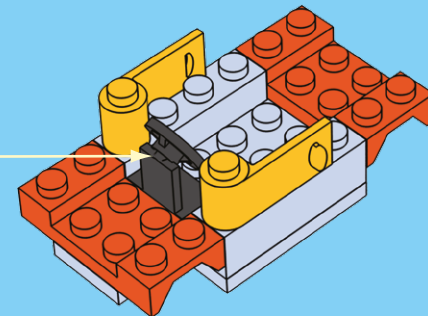
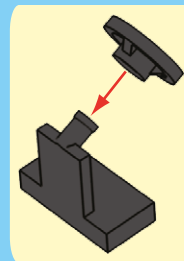
36

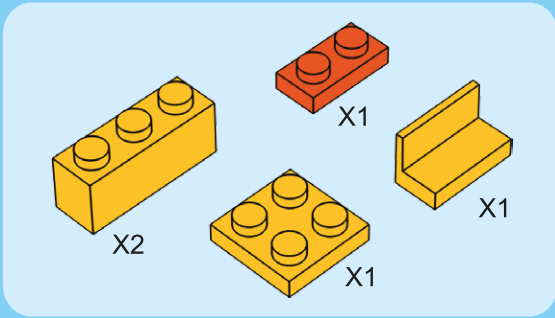


37

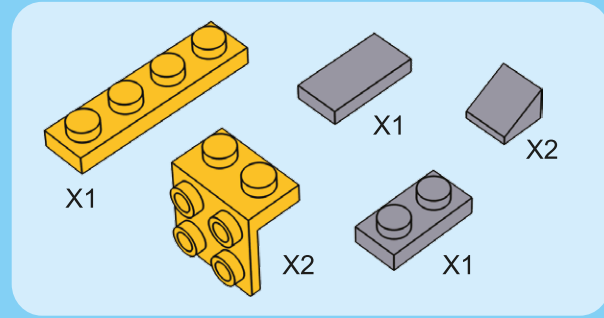
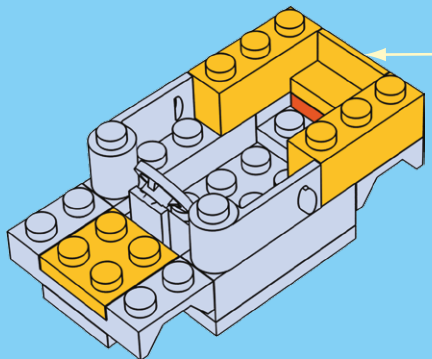
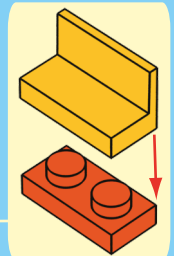


38

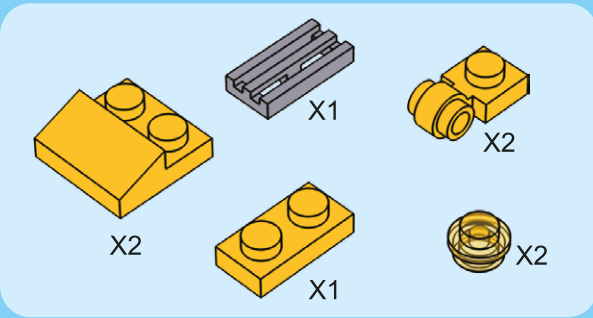
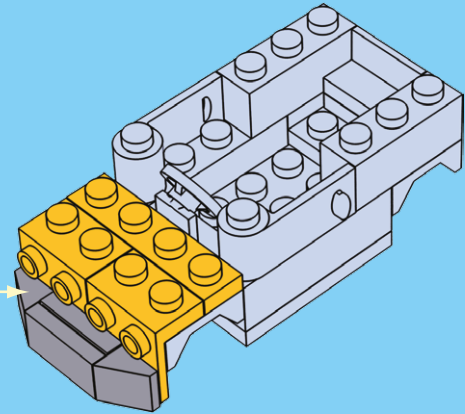
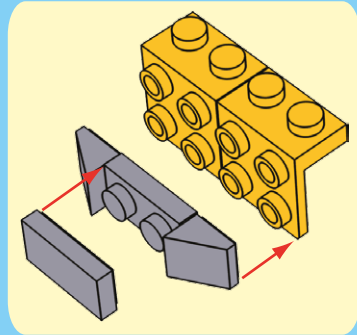




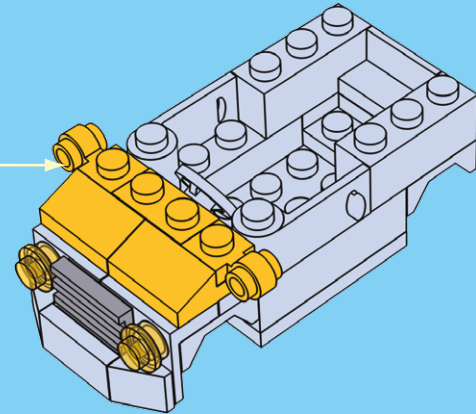
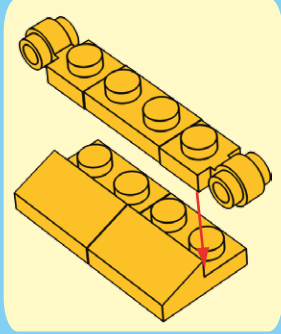
39

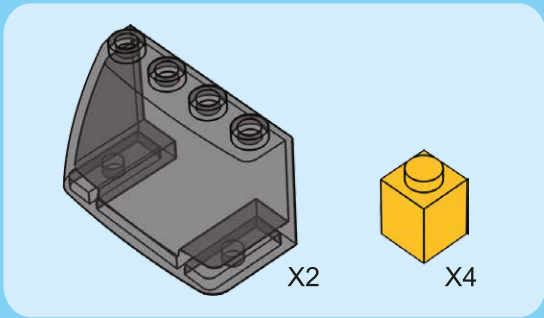


40

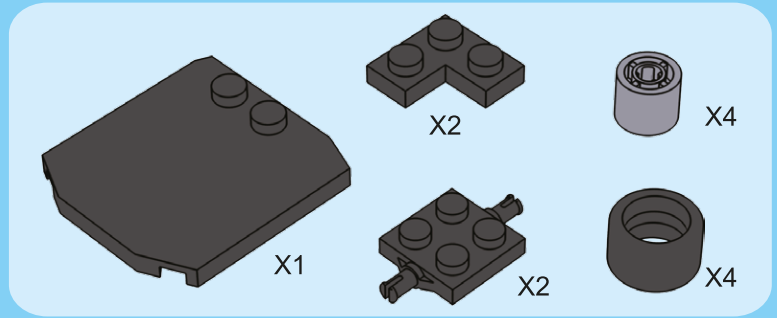
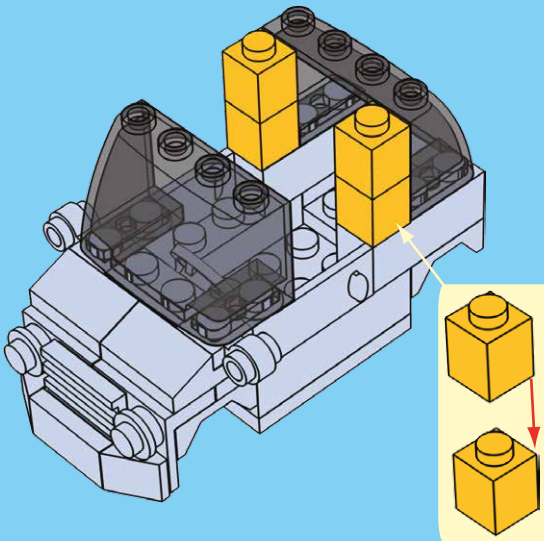


41

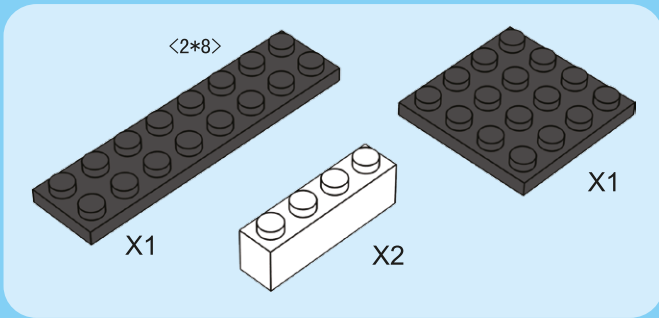
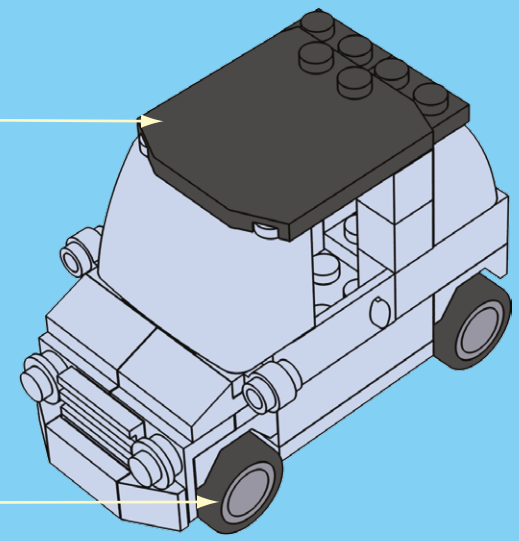
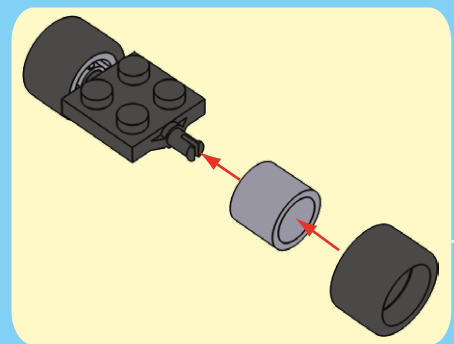
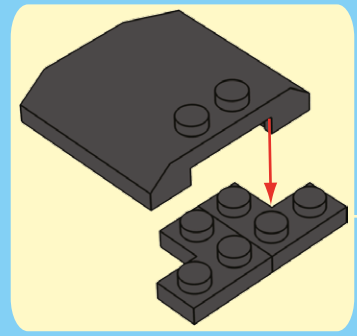




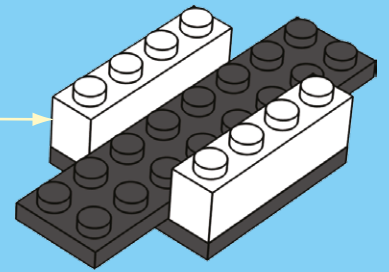
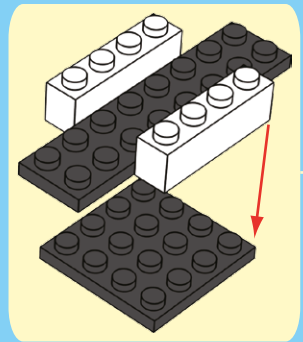
42

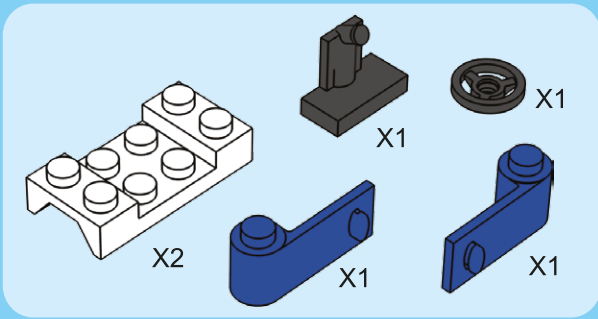


43

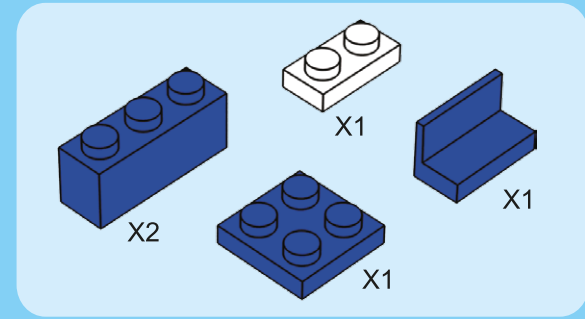


44

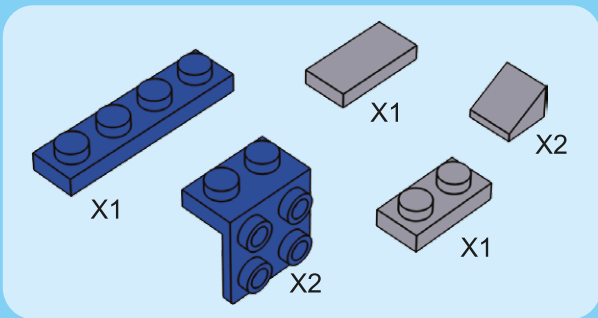
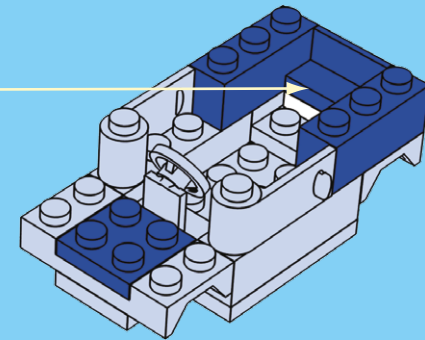
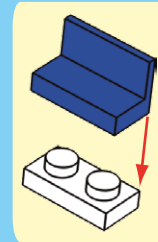
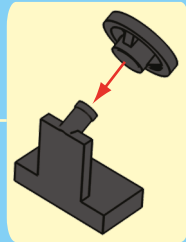
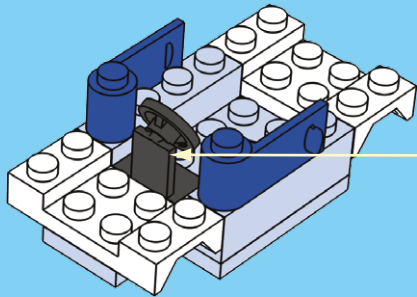




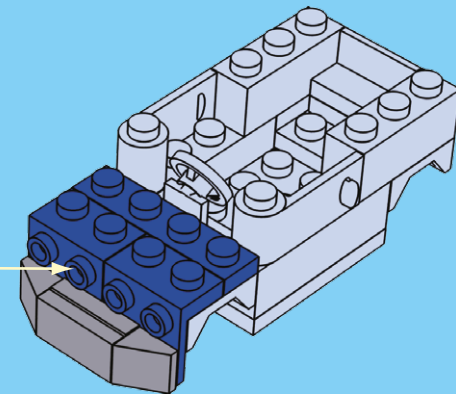
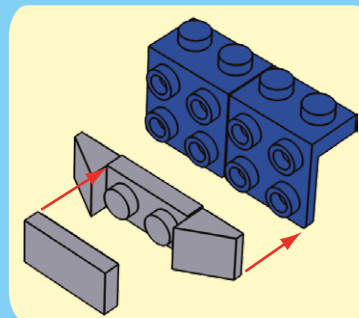
45

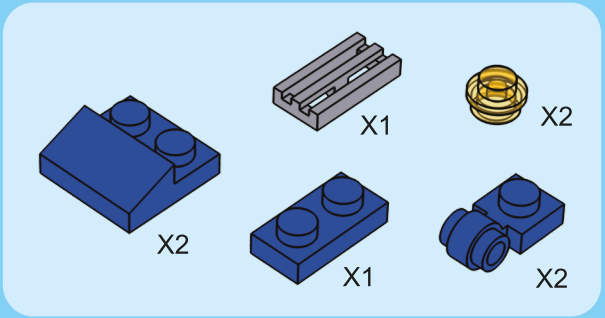


46

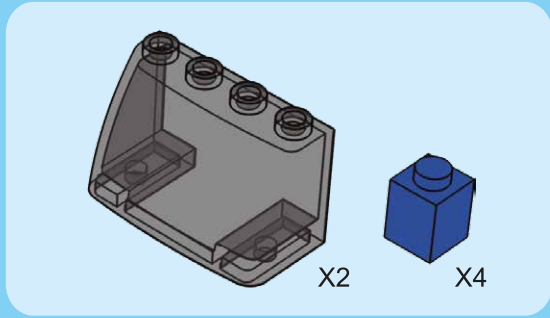
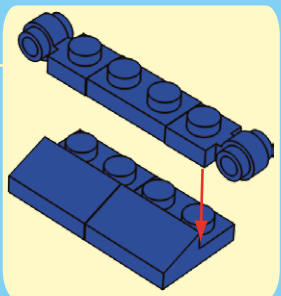
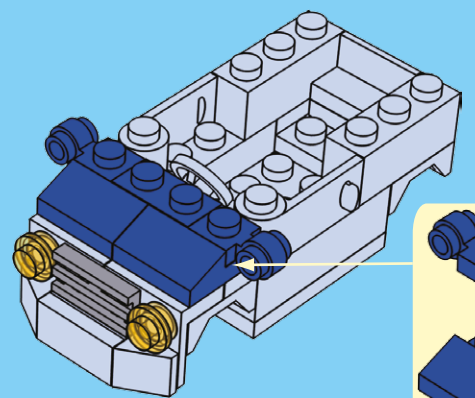


47

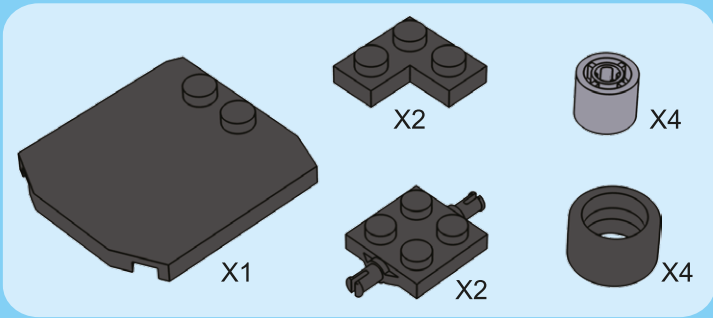
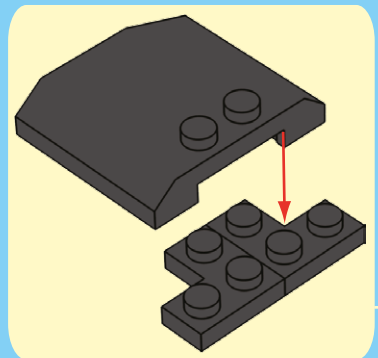
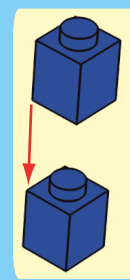
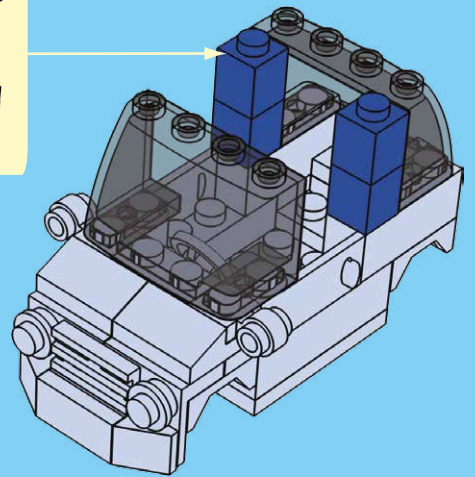




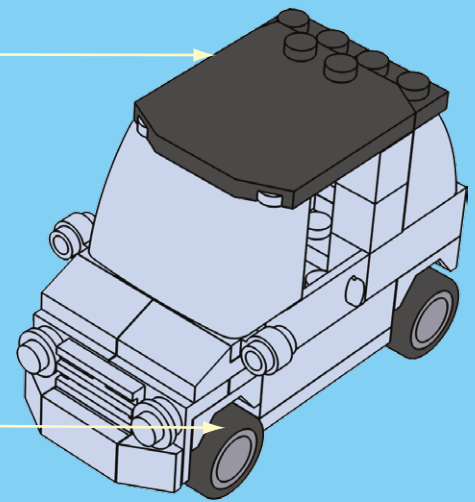
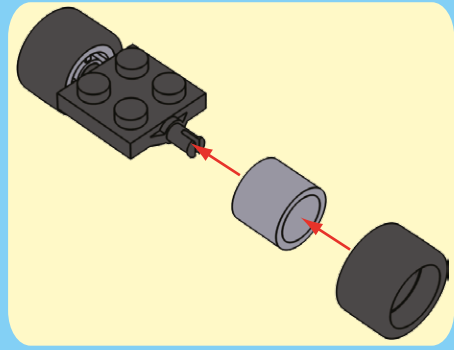
48



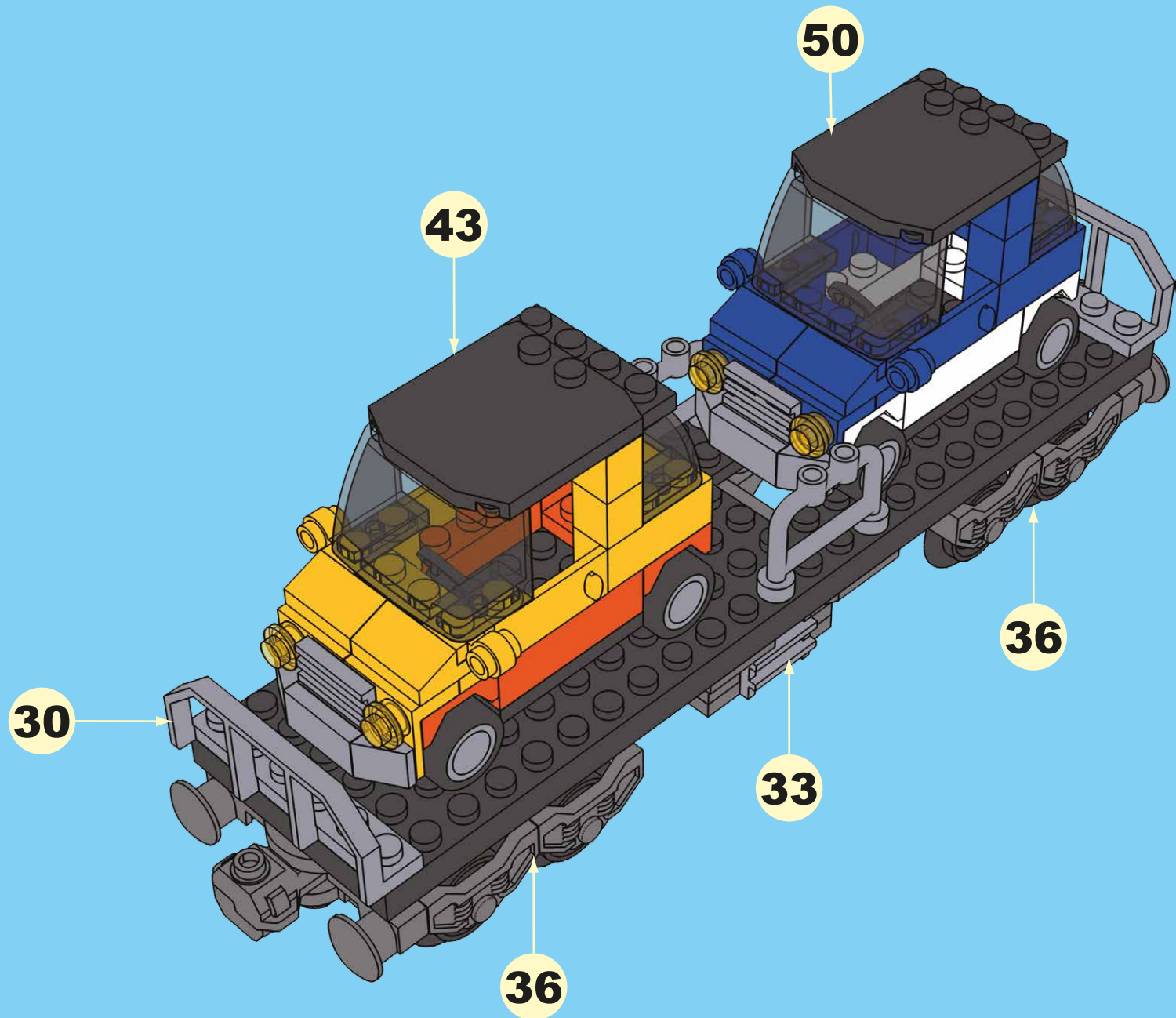
49

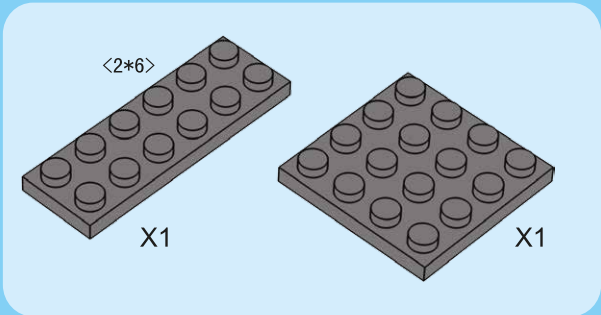


50

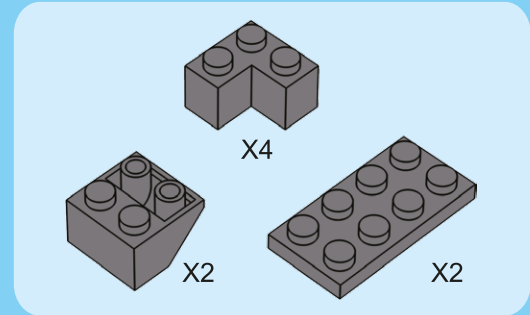
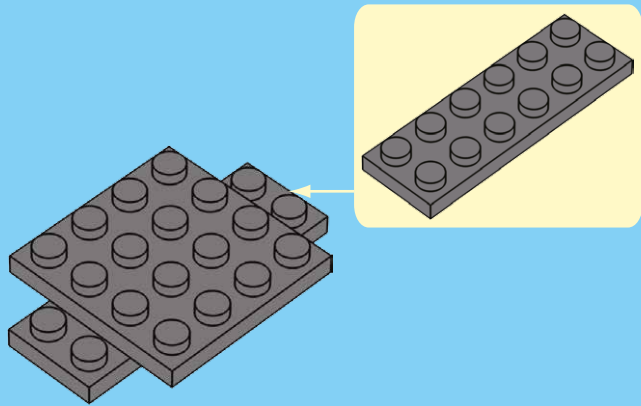


51

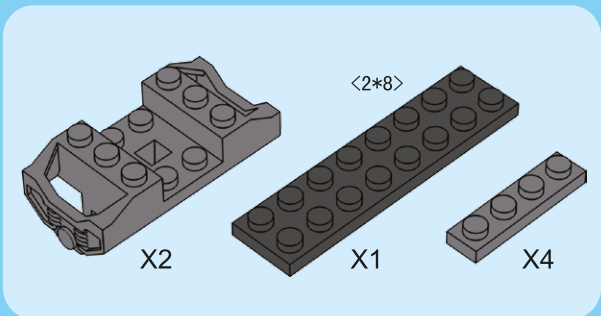
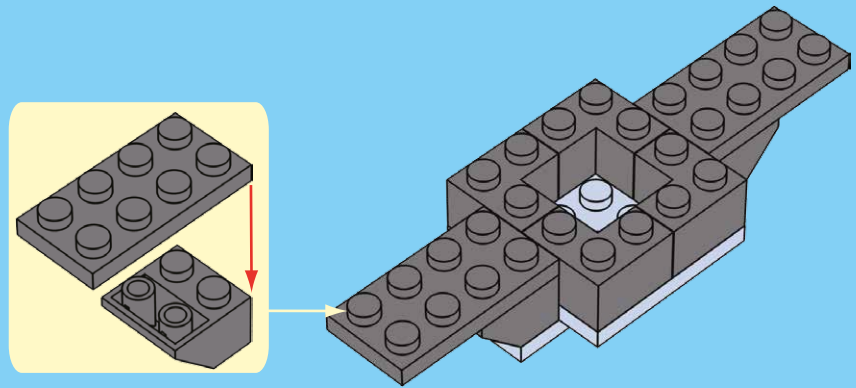




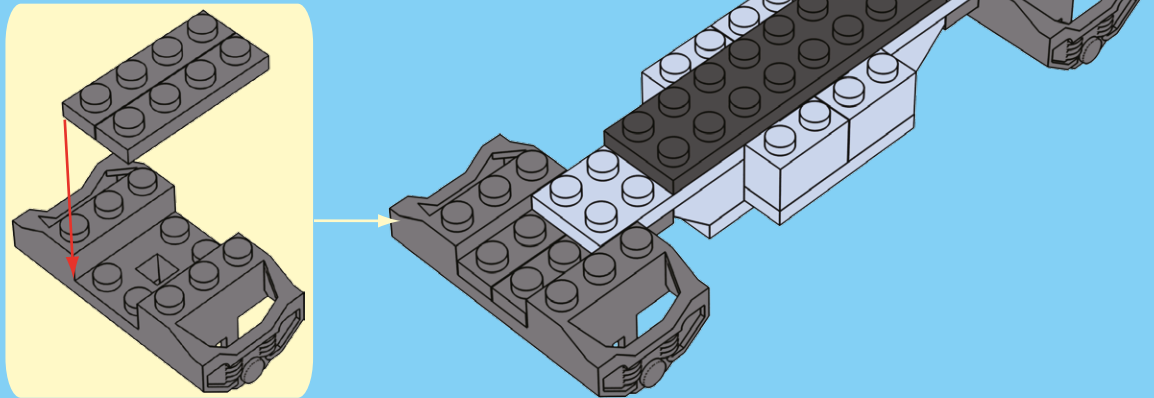
52

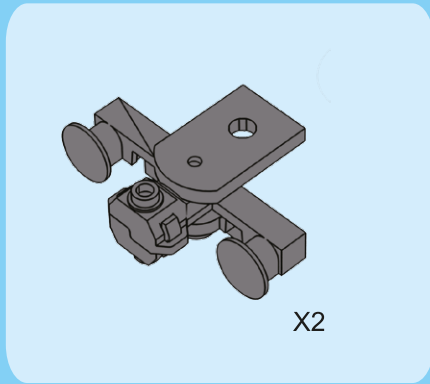


53

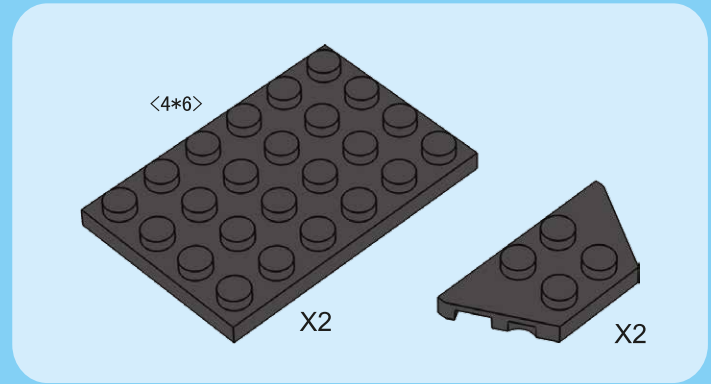


54

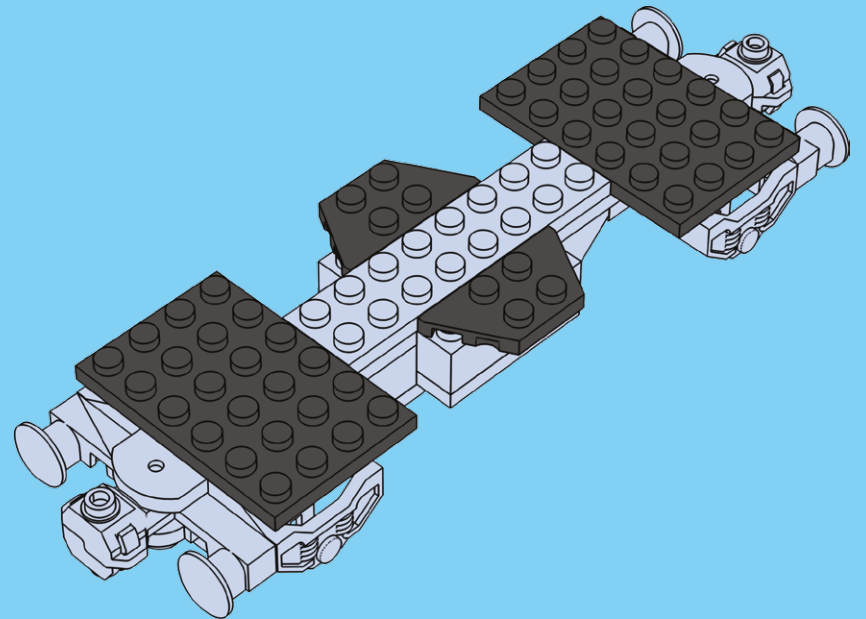
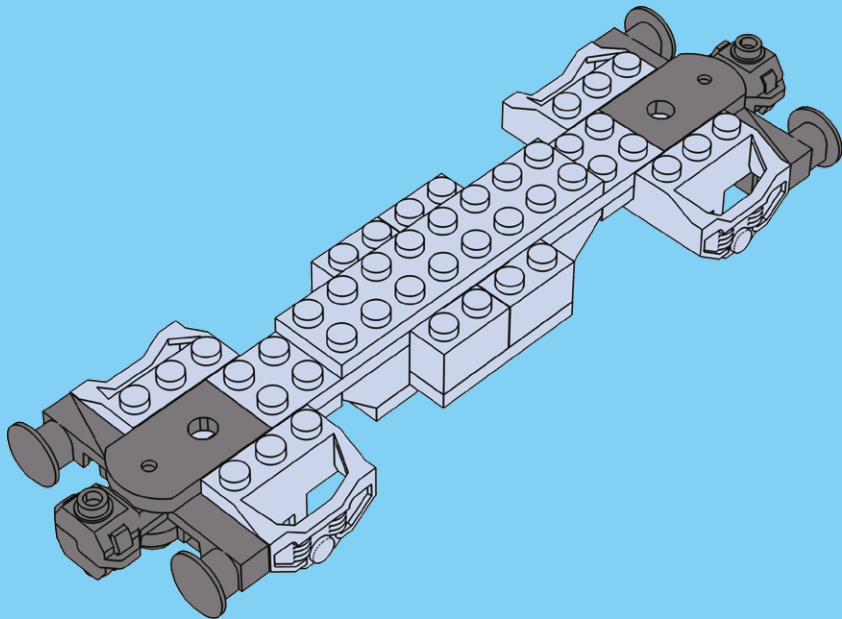


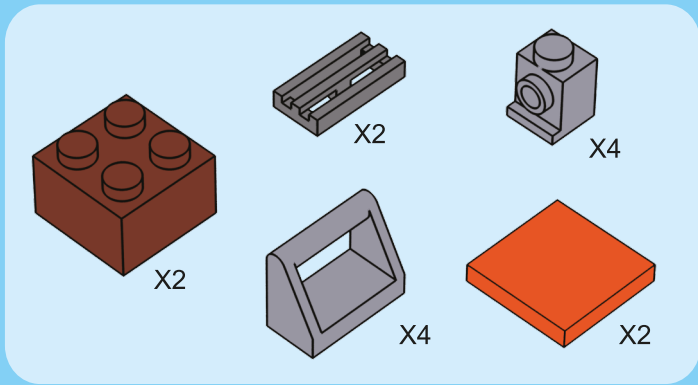


55

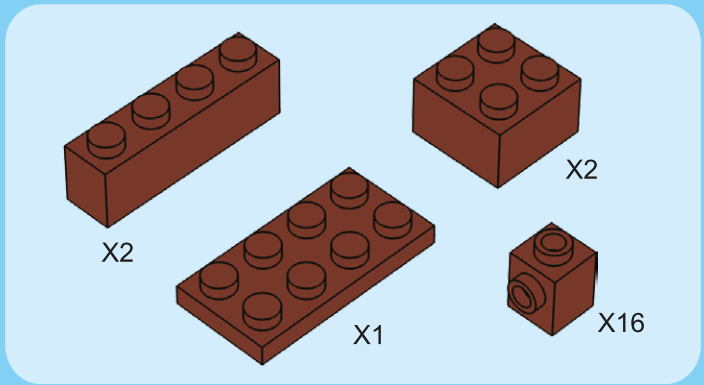


56

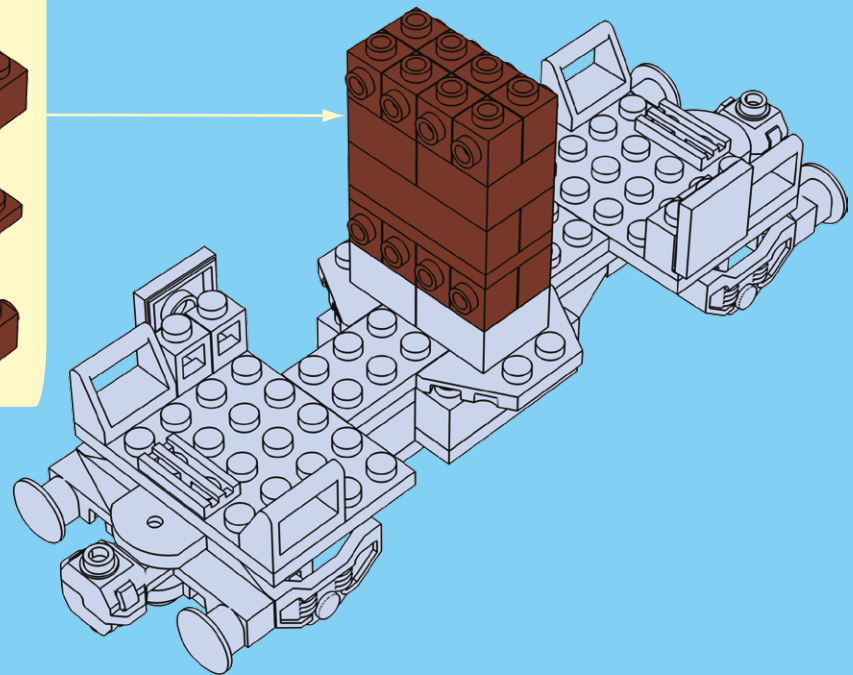
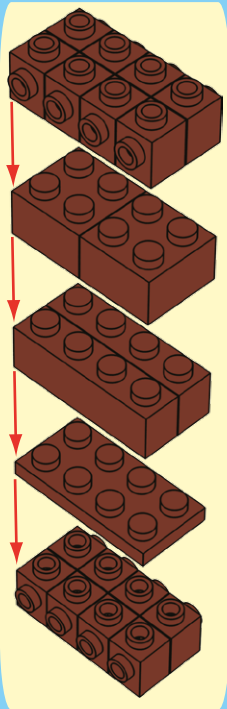
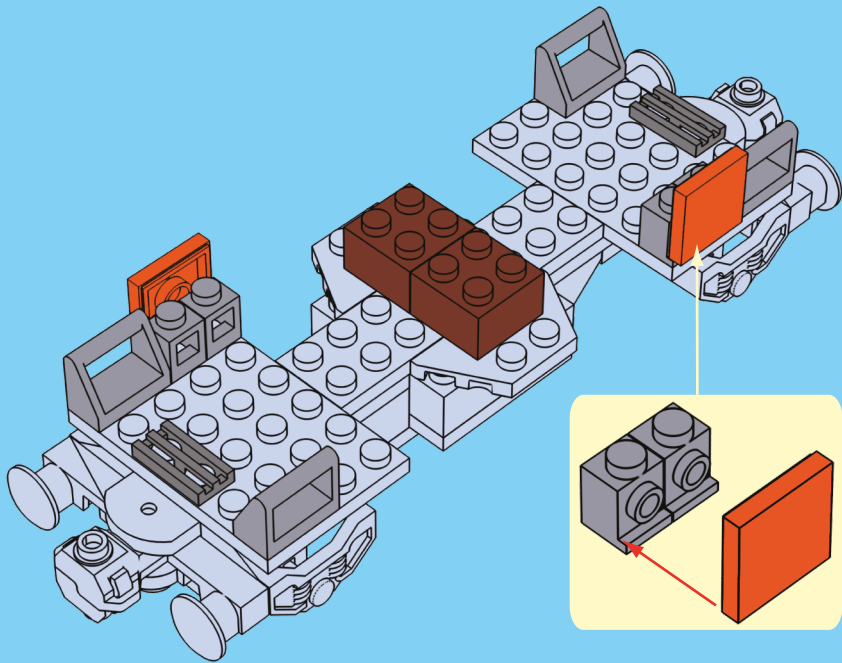


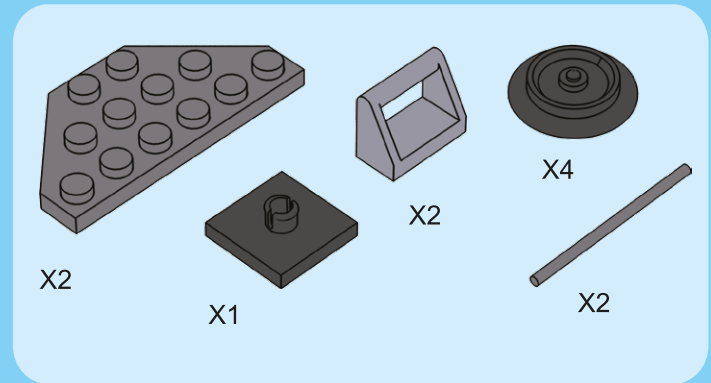
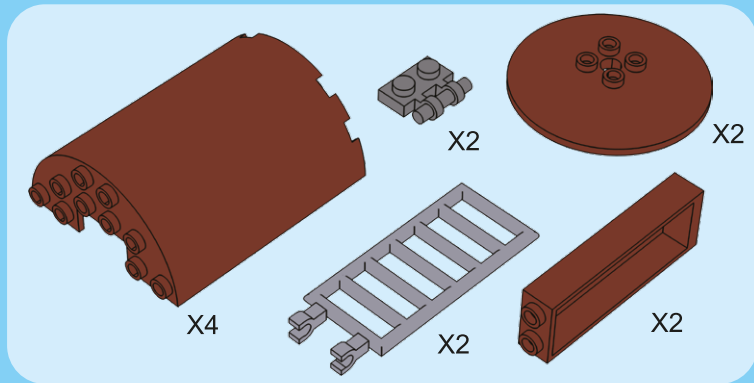


57



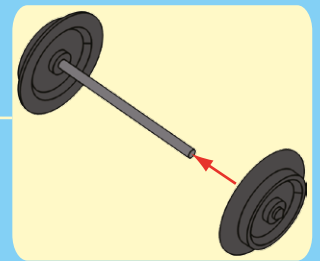
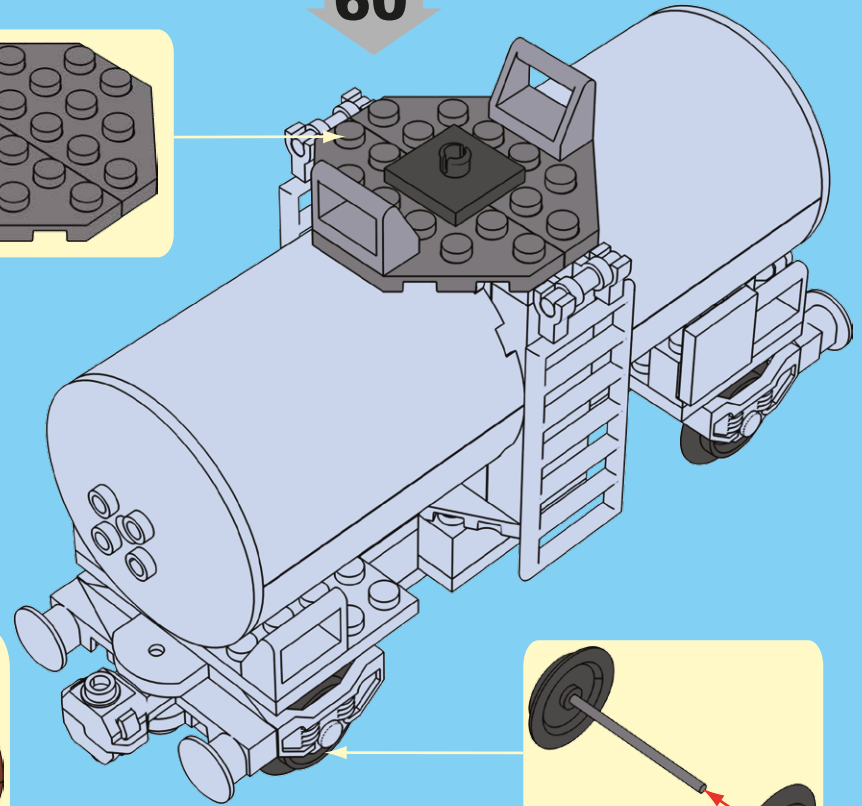
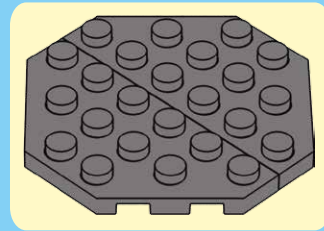
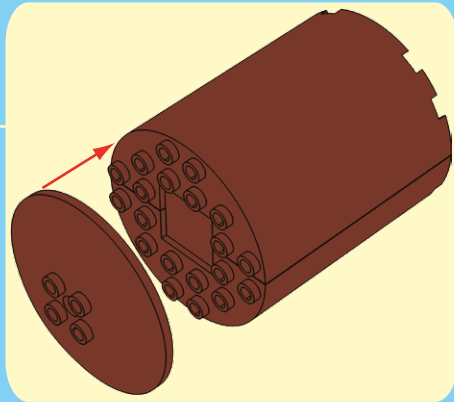
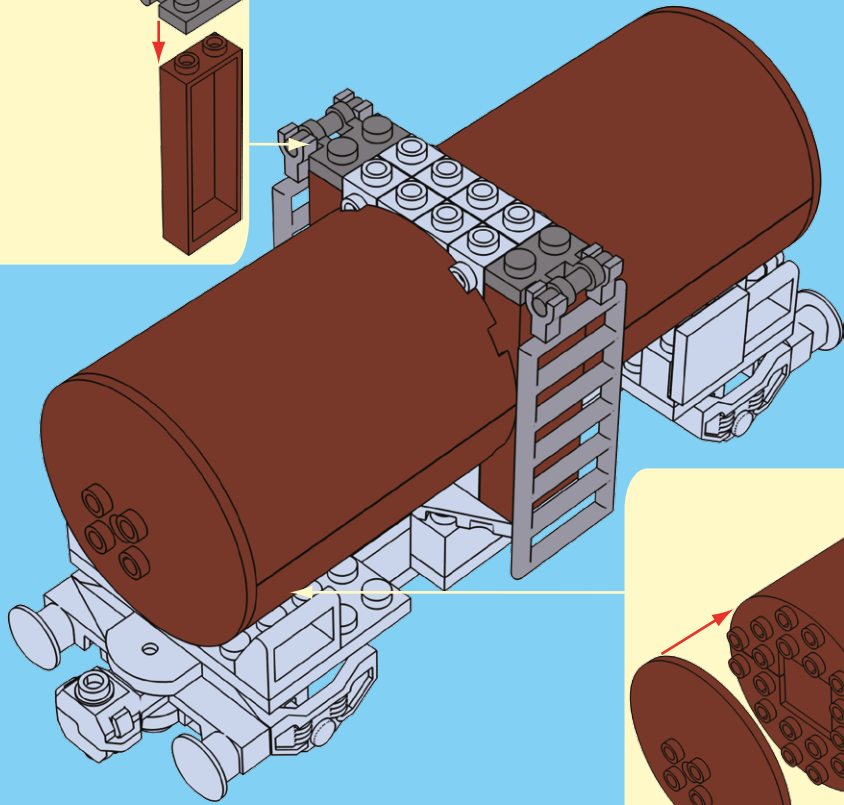
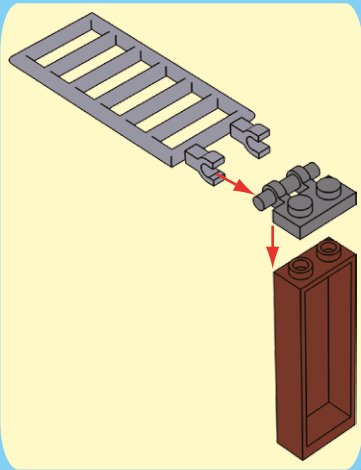
58

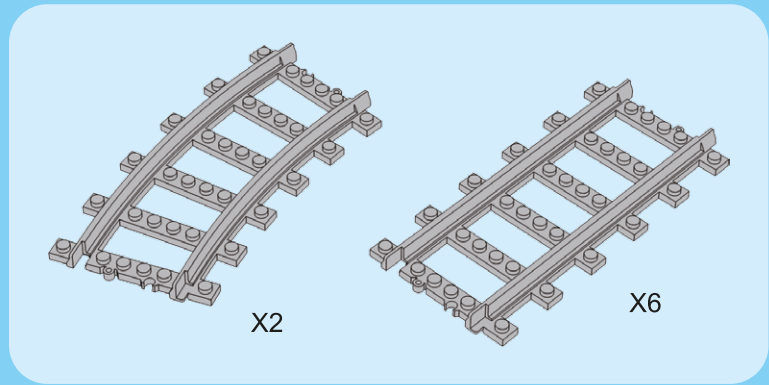




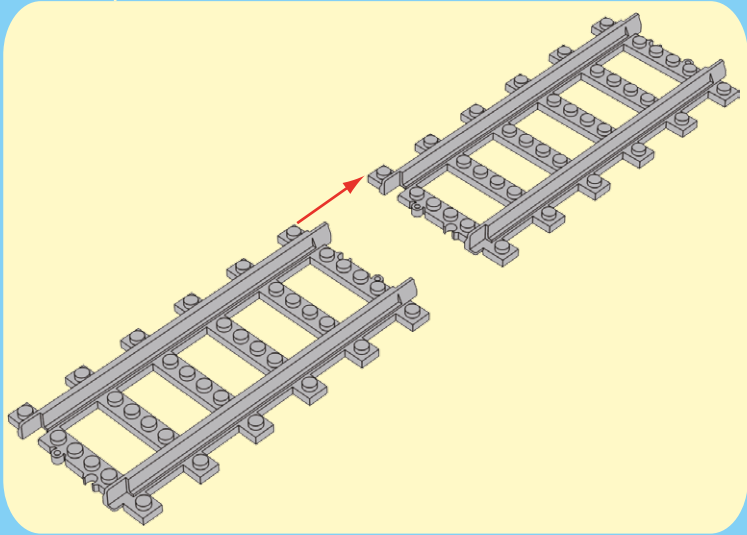
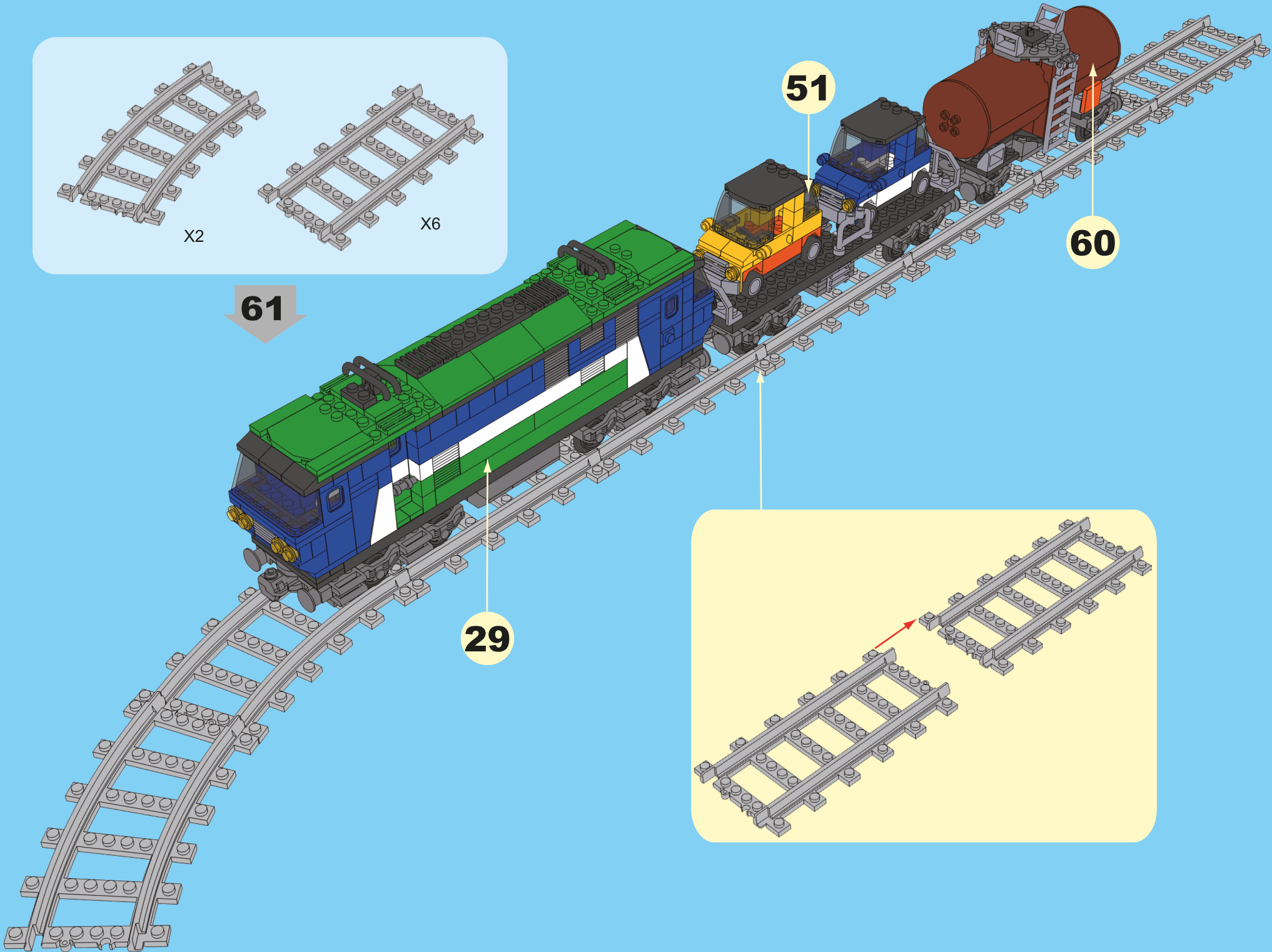
59

60





61



RAILROAD CONVEYANCE TRAINS



NO.25002



NO.25902

