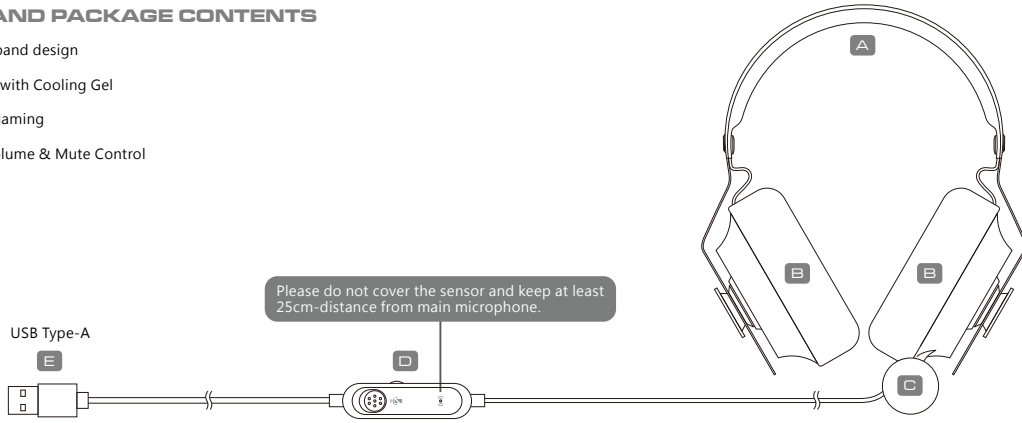




PHONTUM PRO PRIX

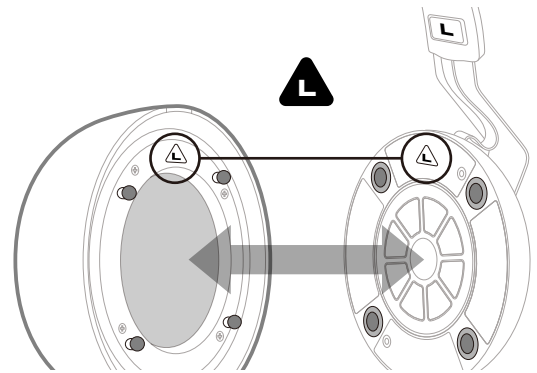
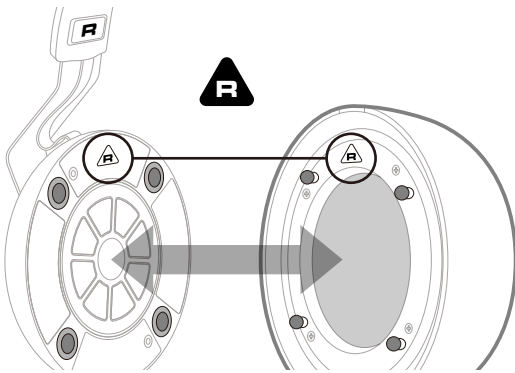
PRODUCT PARTS AND PACKAGE CONTENTS

- A Steel-based minimalist headband design
- B Large Memory Foam Ear Pad with Cooling Gel
- C Detachable microphone for gaming
- D Noise cancellation Sensor, Volume & Mute Control
- E USB Type-A

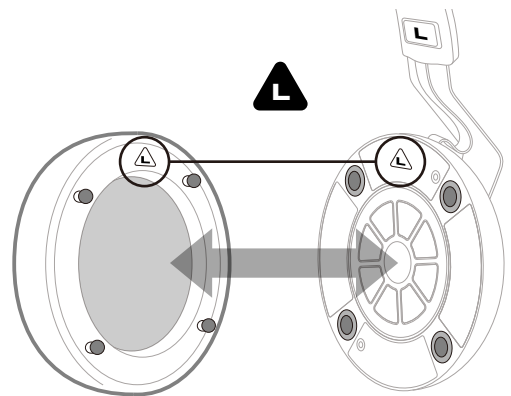
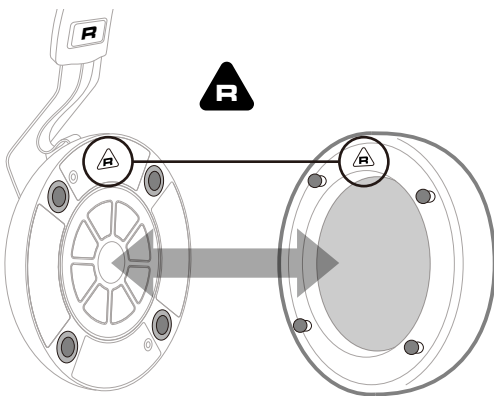


INSTRUCTIONS

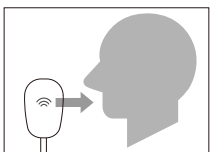
- A Interchangeable Ear Pads : Extra-large memory foam ear pad



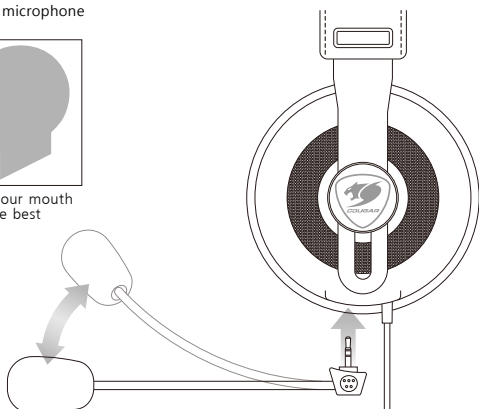
- B Interchangeable Ear Pads : On-the-go breathable ear pad



- C How to adjust the microphone



The sign toward your mouth can receive the the best sound quality.



SPECIFICATIONS

HEADPHONES		MICROPHONE	
Drivers	53mm	Type	9.7mm Noise Cancelling
Frequency response	20Hz - 20KHz	Frequency	100Hz to 10KHz
Sensitivity at 1KHz	98dB ± 3dB	Sensitivity at 1KHz	-47dB ± 3dB
Impedance at 1KHz	32ohm +/- 15%	Impedance	2.2kΩ
Cable Length	1.3m		

The above specifications may vary by country or region

PACKAGE CONTAINS

COUGAR PHONTUM PRO PRIX Gaming Headset	
Detachable Microphone	User Manual

HARDWARE REQUIREMENTS

USB-A Port for connection

FEATURES

ENGLISH

- Customizable RGB Lighting • 7.1 Virtual Surround for Enhanced Immersion
- Full Software Equalizer through COUGAR UIX System • Convenient USB-A Connection
- Comfortable Wearing Cushion with Cooling Gel
- 53mm Graphene Diaphragm Drivers: Pro-Level Sound Quality
- Perfect Clarity: 9.7mm Noise Cancellation Microphone

DEUTSCH

- Anpassbare RGB-Beleuchtung • 7.1 Virtual Surround für mehr Atmosphäre
- Vollständiger Software-Equalizer durch COUGAR-UIX-System
- Bequeme USB-A-Verbindung • Bequeme Pads mit Kühlgel
- 53mm Treiber : Pro Level Sound Qualität
- Glasklarer Klang durch 9.7mm Noise Cancellation Mikrofon

ESPAÑOL

- Iluminación RGB Personalizable • Tecnología 7.1 Virtual Surround para una Mayor Inmersión
- Funcionalidad Completa de Ecuilizador a Través del Sistema COUGAR UIX
- Cómoda conexión USB-A • Cojín cómodo con gel refrescante
- Conductores de diafragma de grafeno de 53mm: Calidad de sonido profesional
- Claridad perfecta: Micrófono de cancelación de ruido de 9.7mm

PORTUGUÊS

- Iluminação RGB Customizável • Surround Virtual 7.1 para Imersão Aprimorada
- Equalizador Completo de Software através do Sistema COUGAR UIX
- Conexão USB-A conveniente • Almofadas de ouvido confortáveis com gel de refrigeração
- Drivers de diafragma Grafeno de 53mm : Qualidade sonora Nível Profissional
- Perfeita Clareza: Microfone com cancelamento de Ruído de 9,7mm

РУССКИЙ

- Настраиваемая подсветка RGB • 7.1 обширный звук для глубокого погружения
- Полностью программируемый эквалайзер через систему COUGAR UIX
- Удобное соединение USB-A • Удобная подушка для ношения с охлаждающим гелем
- Драйверы с графеновой диафрагмой 53 мм: качество звука профессионального уровня
- Идеальная четкость: микрофон с шумоподавлением 9.7 мм

FRANÇAIS

- Éclairage RVB personnalisable • Son 7.1 Virtual Surround pour une immersion accrue
- Égaliseur logiciel complet via le système COUGAR UIX
- Connexion USB-A pratique • Coussin de port confortable avec gel rafraîchissant
- Drivers de 53mm avec un diaphragme en graphène : Qualité de son de niveau professionnel
- Clarté parfaite : Microphone de 9,7mm avec annulation du bruit

日本語

- カスタマイズ可能なRGB照明 • 7.1chバーチャルサラウンド
- COUGAR UIXソフトウェアによるイコライザーコントロール
- 便利なUSB-A接続 • 冷却ジェル付きの快適な着用クッション
- 53mmの大口径グラフェンダイアフラムドライバを採用: 歪みのないオーディオを提供します
- 9.7mmノイズキャンセリングマイク付き: 周辺ノイズをカットするノイズキャンセリング機能

한국어

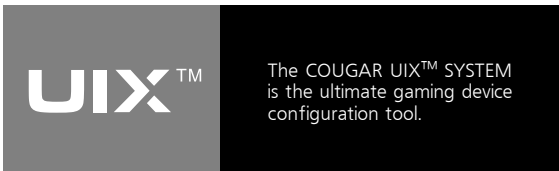
- 사용자가 조절할 수 있는 RGB 조명 • 강화된 7.1 가상 서라운드
- COUGAR UIX 시스템을 통한 풀 소프트웨어 이퀄라이저 • 편리한 USB-A 연결
- 냉각 젤이 있는 편안한 착용 쿠션 • 53mm 그래핀 다이어프램 드라이버: 전문적인 음질
- 완벽한 선명도: 9.7mm 소음 제거 마이크

中文

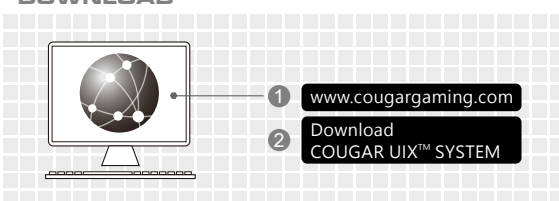
- 可定制化RGB灯光效果 • 7.1虚拟环绕声道提升临场感 • COUGAR UIX软件拥有完整的均衡器控制功能
- 便利USB-A连接 • 舒适的凝胶耳罩 • 53mm 石墨烯振膜单体喇叭: 专业级音效质量
- 音质完美清晰: 9.7mm降噪麦克风音头

SYSTEM REQUIREMENTS

Windows 10



DOWNLOAD



ENGLISH

- 1.Go to the COUGAR official website. (<http://www.cougargaming.com>)
- 2.Download the COUGAR UIX™ SYSTEM_PHONTUM PRO PRIX installer from the PHONTUM PRO PRIX download page.

DEUTSCH

1. Gehe zur offiziellen COUGAR Homepage. (<http://www.cougargaming.com>)
2. Download COUGAR UIX™ SYSTEM_PHONTUM PRO PRIX installer von der PHONTUM PRO PRIX download seite.

ESPAÑOL

1. Vaya a la web oficial de COUGAR. (<http://www.cougargaming.com>)
2. Descargue el instalador de COUGAR UIX™ SYSTEM_PHONTUM PRO PRIX de la página de descarga PHONTUM PRO PRIX

PORTUGUÊS

1. Visite o website oficial da COUGAR. (<http://www.cougargaming.com>)
2. Transfira o programa de instalação COUGAR UIX™ SYSTEM_PHONTUM PRO PRIX a partir da página de transferência PHONTUM PRO PRIX.

РУССКИЙ

1. Перейдите на веб-сайт COUGAR. (<http://www.cougargaming.com>)
2. Загрузите программу установки драйвера COUGAR UIX™ SYSTEM_PHONTUM PRO PRIX со страницы загрузок для PHONTUM PRO PRIX.

ITALIANO

1. Connettere la presa USB al PC. 2. Scarica e installa i driver da <http://cougargaming.com/downloads/>
3. Il vostro device è pronto per essere utilizzato.

日本語

1. COUGAR 公式サイトに移動します。 (<http://www.cougargaming.com>)
2. COUGAR_PHONTUM PRO PRIX ダウンロードページから COUGAR UIX™ SYSTEM_PHONTUM PRO PRIX のインストーラーをダウンロードします。

한국어

1. COUGAR 공식 웹사이트 (<http://www.cougargaming.com>) 로 이동합니다.
2. PHONTUM PRO PRIX 다운로드 페이지에서 COUGAR UIX™ SYSTEM_PHONTUM PRO PRIX 설치 프로그램을 다운로드합니다.

中文

1. 连上COUGAR官方网站 (<http://www.cougargaming.com>)
2. 进入PHONTUM PRO PRIX的下载页面 · 下载COUGAR UIX™ SYSTEM_PHONTUM PRO PRIX

INSTALLATION



1. Plug the headset USB connector into the USB port. Your computer should recognize and configure the headset for use and display a notification message when ready.
2. Click & Install UIX system and follow instructions step by step.
3. The process may take several minutes, please be patient and do not disconnect the device or shut the computer down.

GLOBAL WARRANTY POLICY

WARRANTY PERIODS OF COUGAR GAMING DEVICES

Product : COUGAR PHONTUM PRO PRIX gaming headset

Warranty : 1 Year

This warranty gives you specific legal rights. You may also have other rights granted under local law. These rights may vary.

WARRANTY AGREEMENT

- If the product has defects in material or manufacture, COUGAR will provide product repair and replacement service within the warranty period.
- Our warranty service is based on the date of the invoice or warranty card (must be affixed with the store stamp).
- If you lose the aforementioned evidence, we will apply the original shipping date of the product as the beginning date of warranty period. The shipping date will be identified by the product serial number(S/N).

CONDITIONS WHERE FREE MAINTENANCE IS NOT PROVIDED

- Any fault or damage caused by natural disasters (including storm, fire, flood, thunder, earthquake, etc).
- Any fault or damage caused by accidental factors and man-made reasons (including hit, scrape, crash, moving, compression, stain, corrosion, use of incurred on unsuitable voltage, computer virus, riot, misuse, malicious damage, etc).
- Use in an improper operating environment (including high temperature, high humidity, water inflow, etc).
- Inability to provide the product warranty card, purchase receipt or invoice to prove the product is still within the warranty period and the shipping date of the product is out of warranty.
- The warranty card or product serial number has been altered or its number is hard to identify.
- The warranty period has expired.
- Any fault or damage caused by non-compliance with regulations stated on the user manual or improper, rough and careless treatment.
- Any fault or damage caused by use of parts not certified by COUGAR original manufacturer.
- The problem is caused by improper repair or adjustment by the buyer or any manufacturer without authorization from COUGAR.
- The product is not acquired from an authorized distributor of the company or is acquired from illicit sources.
- Paper carton, instruction and other accessories are not warranted.

DISCLAIMERS

- COUGAR does not authorize or endorse the user of COUGAR products as a part of, together with, or connected to, life support devices, medical equipment in general, military equipment, traffic or transportation-related equipment or disaster prevention systems.
- COUGAR is not liable for any damage, expense, loss, cost, injury or any other result derived from the use of COUGAR products not specifically for PC gaming in the compatible other systems indicated by COUGAR.
- COUGAR is not liable for any damage, expense, loss, cost, injury or any other result due to use of COUGAR products not in strict accordance with the instructions provided by COUGAR in the instruction manual.
- Software, instruction manuals, consumables (for example mouse pads, mouse feet, etc.), boxes or other external packaging are not covered by the warranty.
- For inquiries about the warranty, please contact us at service@cougargaming.com

LEGAL NOTICES

This manual was created by Compucase Enterprise and may not be completely or partially copied, passed on, distributed or stored without written consent by Compucase Enterprise. COUGAR® is a registered brand of Compucase Enterprise Other product and company names mentioned in this documentation may be brands or trademarks of their respective owners. Compucase Enterprise reserves the right to make changes concerning the contents of the manual and the technical data of the product without previous announcement.



MANUFACTURER CONTACT

COUGAR USA Technical Service

Tel: (833) 256-3778

Mail: rma@compucaseusa.com <https://cougargaming.com/support/contact/upload/>

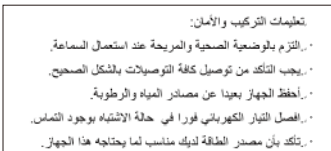
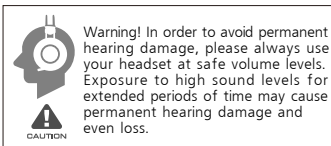
Compucase Enterprise Co.,Ltd.

No. 225, Lane 54, An Ho Road Sec. 2 Tainan, Taiwan, R.O.C

Tel:+886-6-356-0606 Service E-Mail:service@cougargaming.com

For more information, please visit <https://cougargaming.com>

Compucase Enterprise Co.,Ltd. All rights reserved. Made in China



ДАТА ИЗГОТОВЛЕНИЯ ПРОДУКЦИИ

год и месяц изготовления продукции указаны в серийном номере продукта. (существует 2 способа определения даты изготовления, оба способа описаны ниже)

A После S/N: первые две цифры означают год, вторые две – месяц изготовления. Например, S/N: H1702000001 означает, что товар был произведен в феврале 2017 года.

B После S/N: если указаны буквы, то две буквы представляют цифры из таблицы ниже, и означают год, последующие две цифры – месяц изготовления. Например, S/N: DAg02REV10000001 означает, что товар был произведен в феврале 2017 года.

A	B	C	D	E	F	G	H	I	J
1	2	3	4	5	6	7	8	9	0

• Например, AG = 17 = 2017 год