



**SPEED**  
CHAMPIONS

76914





### **Get excited about our new packaging!**

We're switching from plastic to paper-based packaging. That's why you might find a mix of paper and plastic in our boxes!

### **Nos nouveaux emballages vous emballeront !**

Nous passons des emballages en plastique aux emballages à base de papier. C'est pourquoi vous pourriez trouver un mélange de papier et de plastique dans nos boîtes !

### **¡Te presentamos nuestros nuevos empaques!**

Estamos sustituyendo las bolsas de plástico por bolsas con base de papel. ¡Por eso, puedes encontrar una mezcla de papel y de plástico en nuestras cajas!

**[LEGO.com/sustainable-packaging](https://www.lego.com/sustainable-packaging)**



# BUILDER

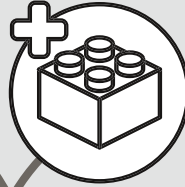


Apple and the Apple logo are trademarks of Apple Inc., registered in the U.S. and other countries and regions. App Store is a service mark of Apple Inc. Google Play and the Google Play logo are trademarks of Google LLC. Tencent and the Tencent logo are trademarks of Tencent Inc.

Q [LEGO.com/devicecheck](https://www.lego.com/devicecheck)

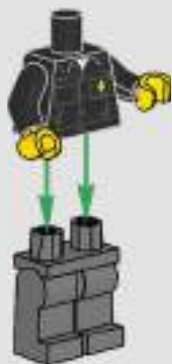
EN Ask parents' permission before going online | DE Eltern um Erlaubnis bitten, bevor du online gehst | FR Demande l'autorisation d'un parent avant d'aller en ligne | IT Chiedi il permesso ai tuoi genitori prima di andare online | ES Pídeles permiso a tus papás antes de conectarte a Internet | PT Pede autorização aos pais antes de acederes online | JA オンラインになる前にほご者の方のきよかをもらおう | ZH 上网前应先征得父母的同意 | KO 온라인 접속 전에 보호자 동의가 필요합니다 | RU Спроси разрешения у родителей, прежде чем заходить в интернет | PL Poproś rodziców o zgodę, zanim wejdiesz do Internetu | CS Než půjdeš na internet, požádej rodiče o svolení | SK Skôr než pôjdeš na internet, vypýtaj si povolenie od rodičov | HU Kérj szülői engedélyt, mielőtt online csatlakoznál! | RO Cere permisiunea părinților înainte de a te conecta online | BG Поискайте разрешение от родител, преди да влезете онлайн | LV Pirms došanās tiešsaistē palūdz atļauju vecākiem | ET Enne Interneti kasutamist küsi vanematelt luba | LT Prieš prisijungdami prie interneto, atsklauskite tėvų





1x

1



2

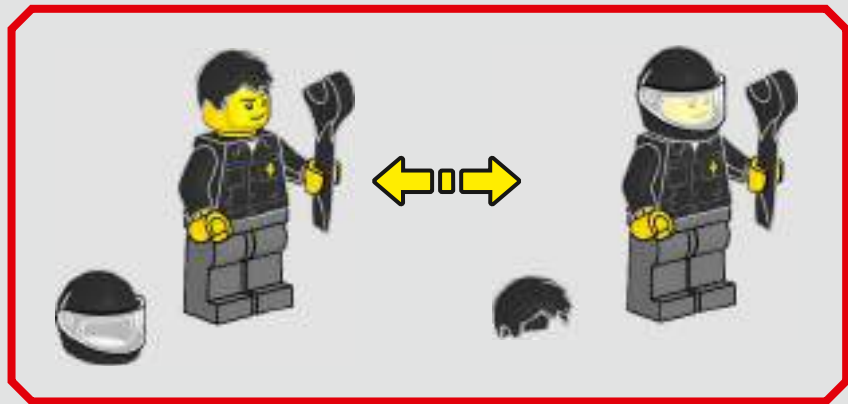
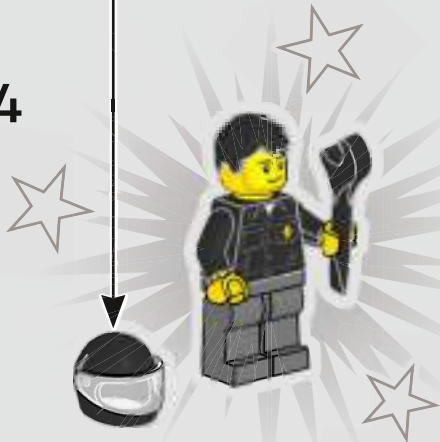


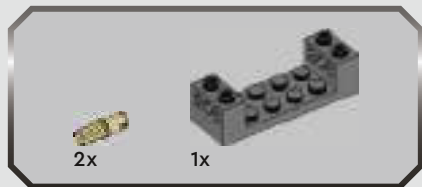
3



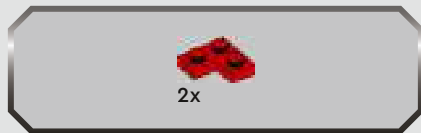
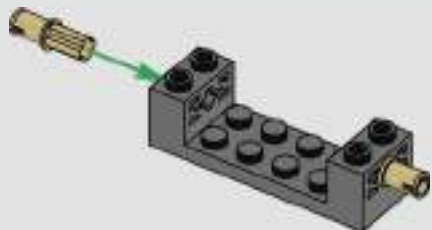


4





1



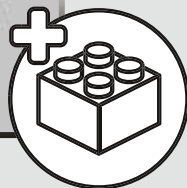
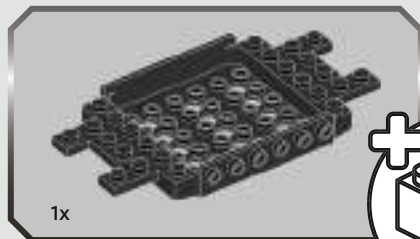
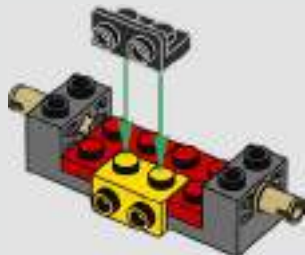
2







3



4





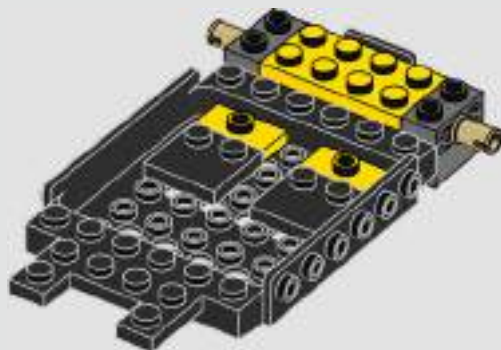
1x

5

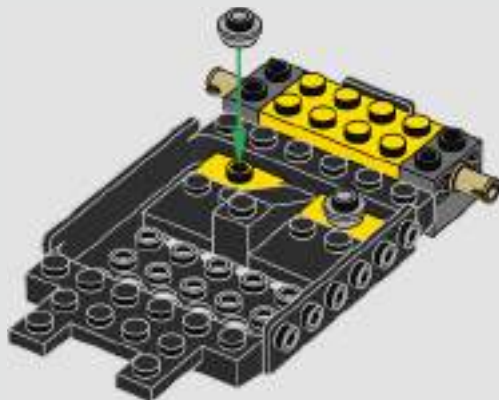




6

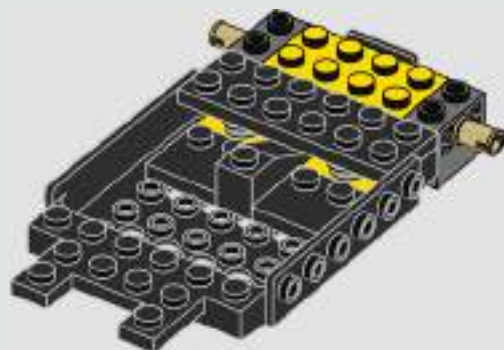


7

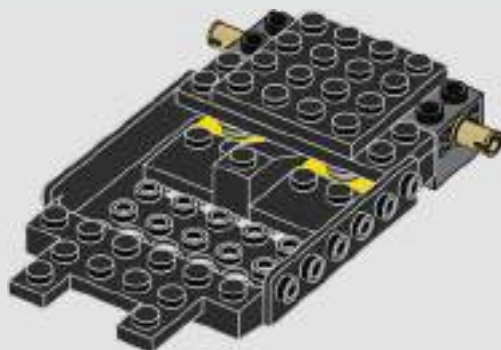


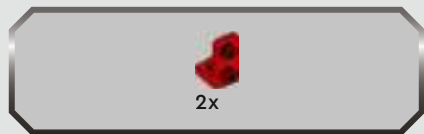


8

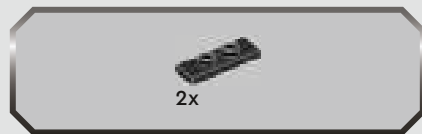
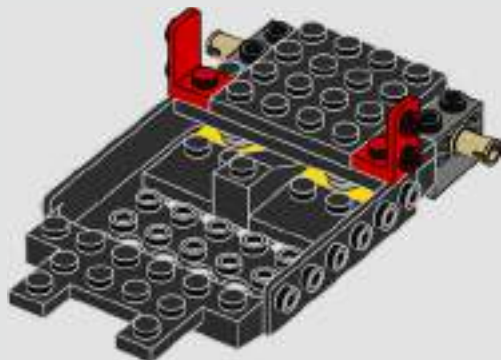


9

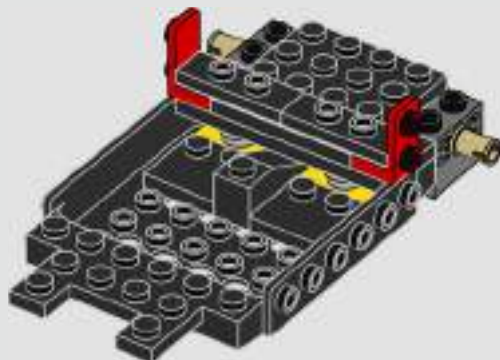


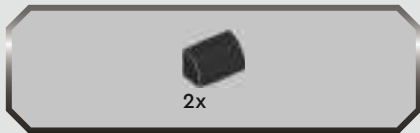


10

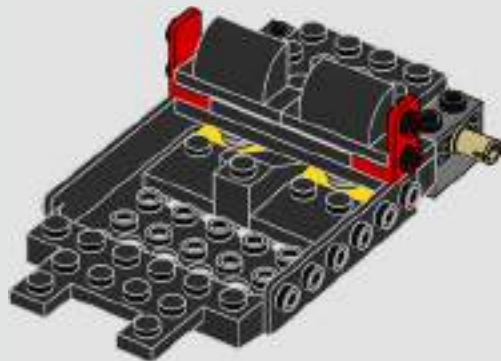


11

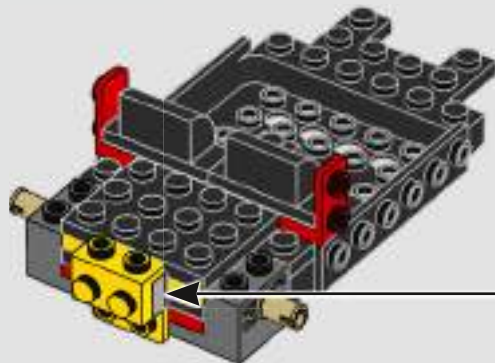
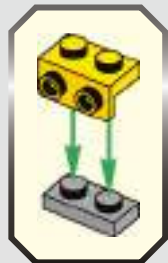




12

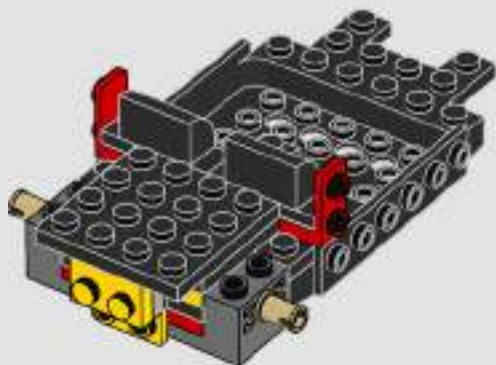


13

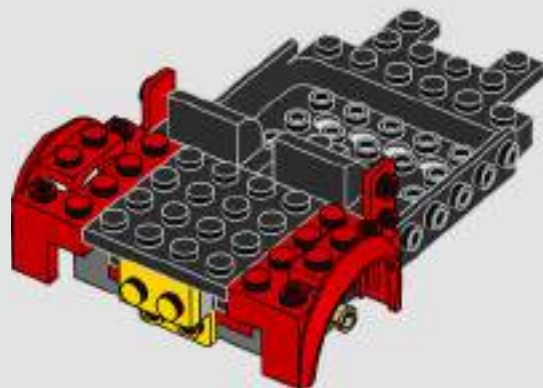




14



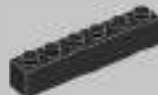
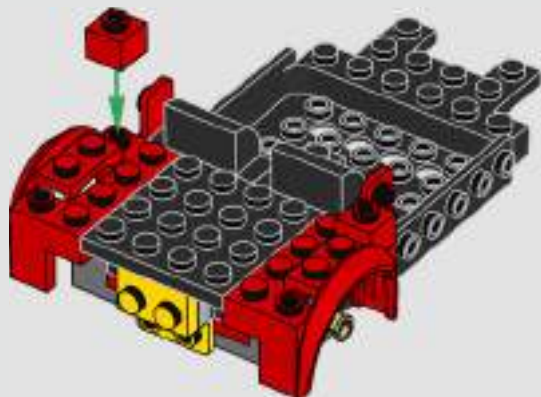
15





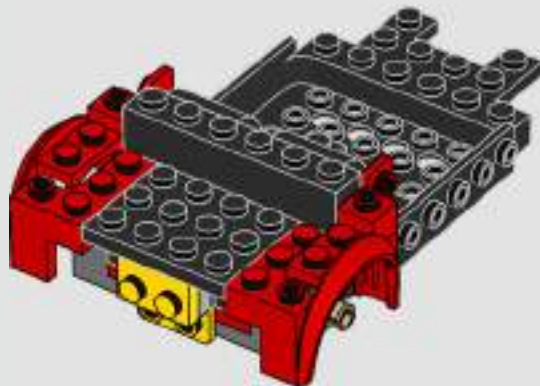
2x

16



1x

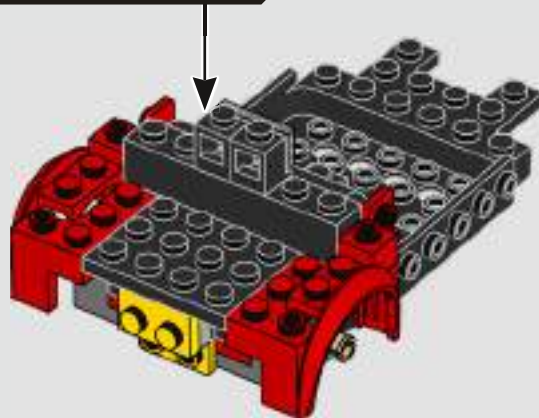
17







18



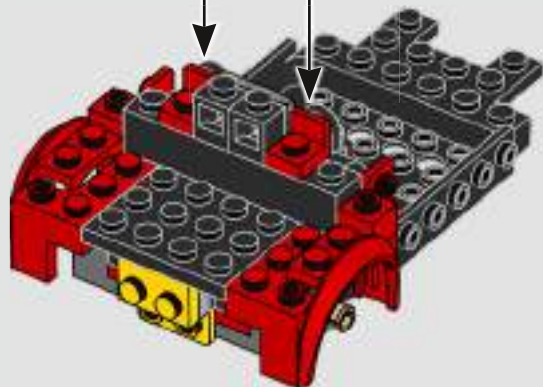


2x



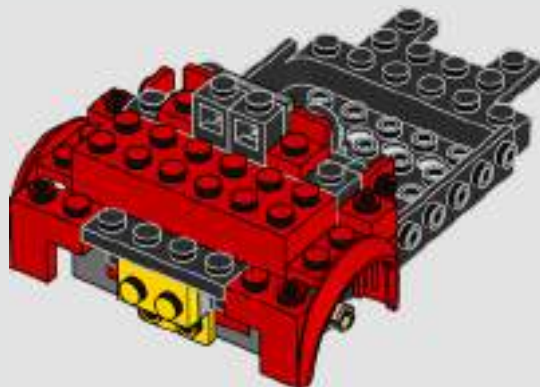
2x

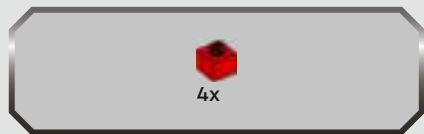
19



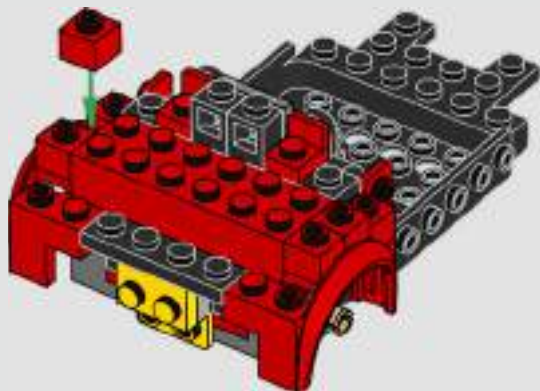
1x

20

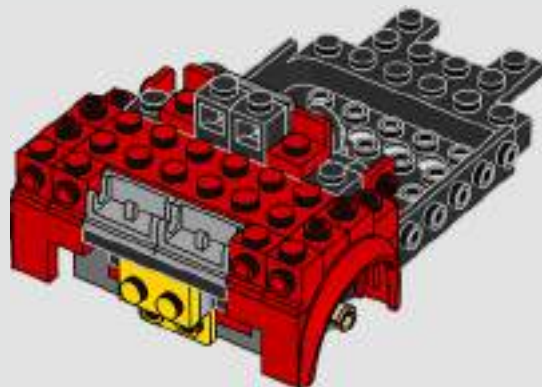




21



22





# 23

1



2

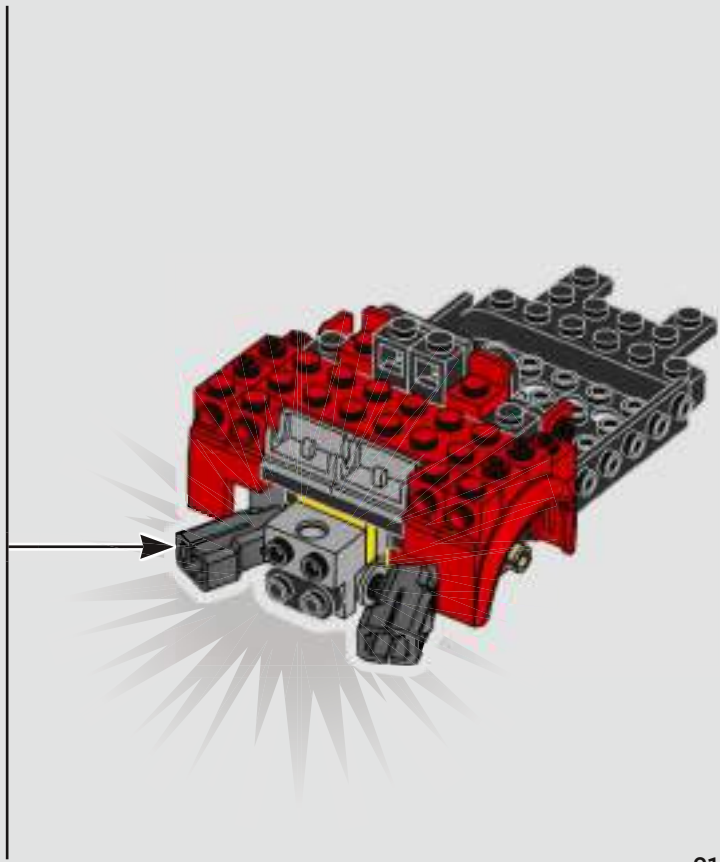
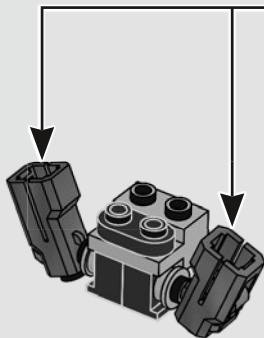


3



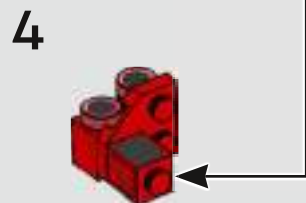


4



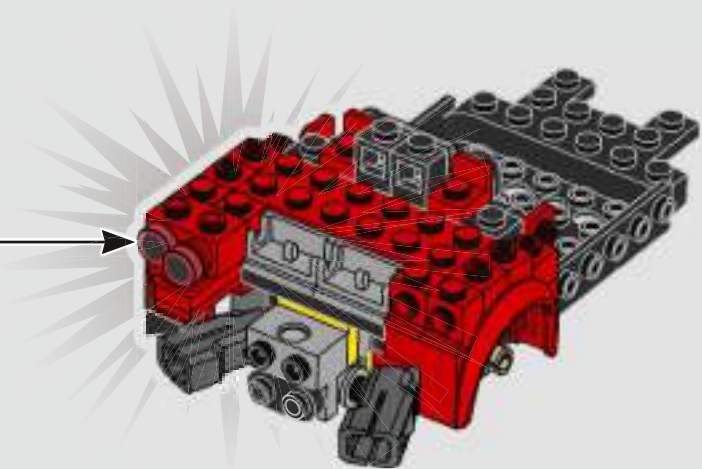


24



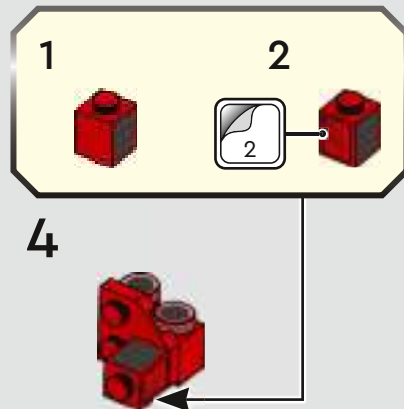
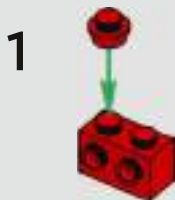


5





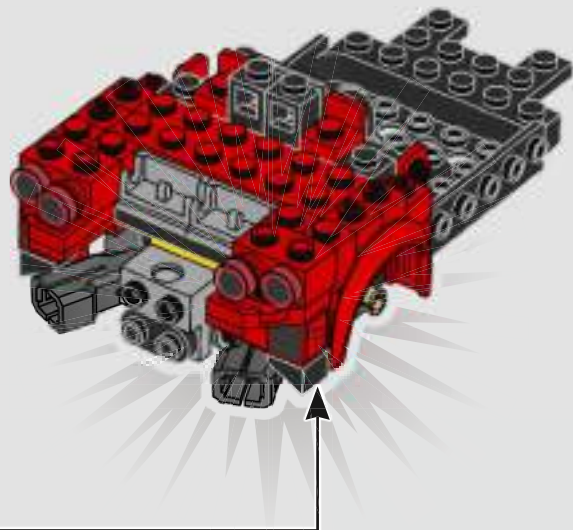
25





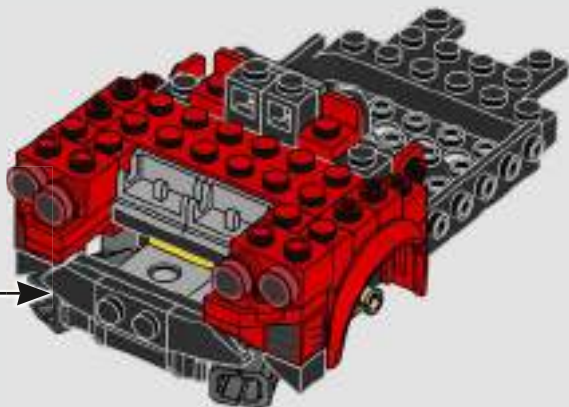
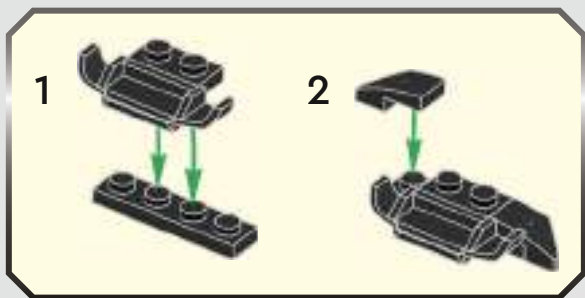


5



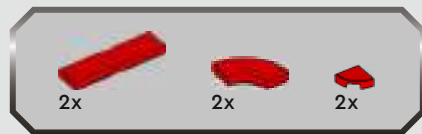
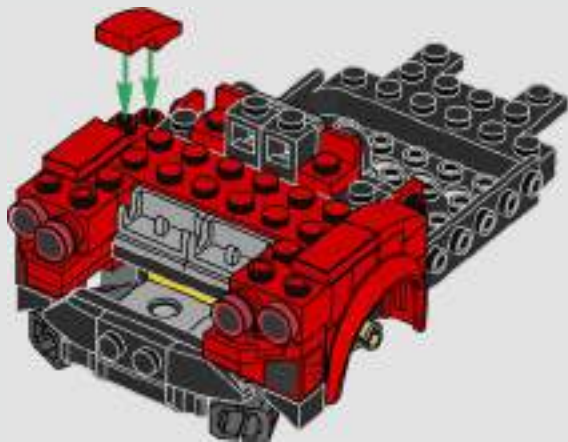


26

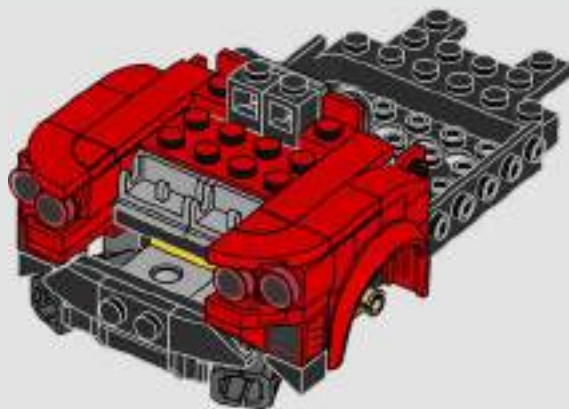




27

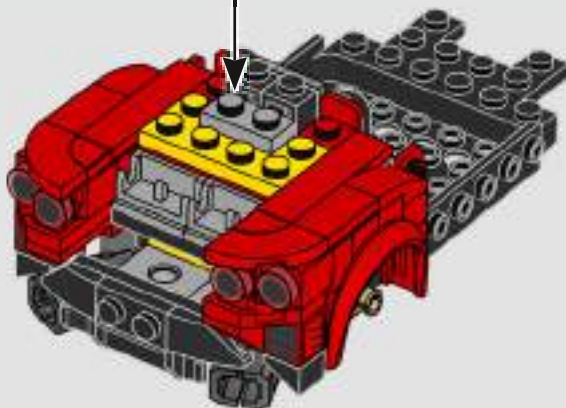
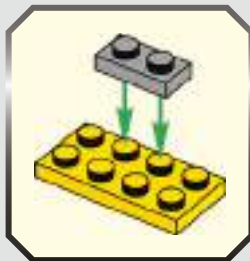


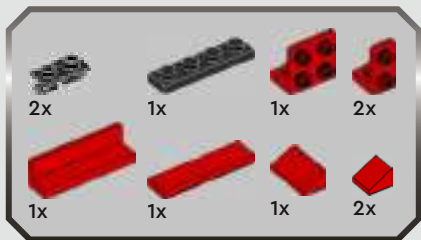
28



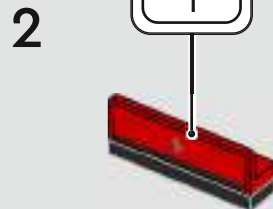
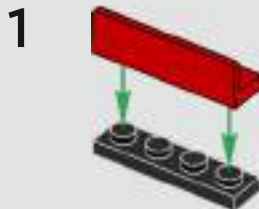


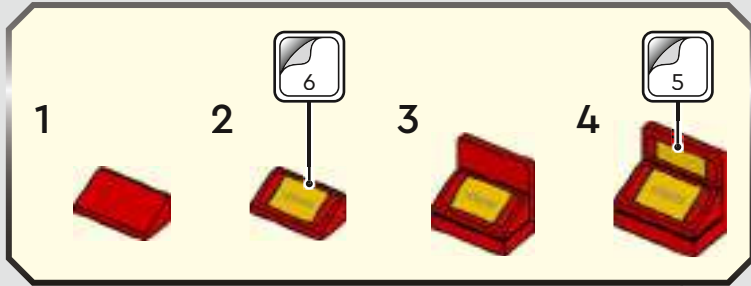
29



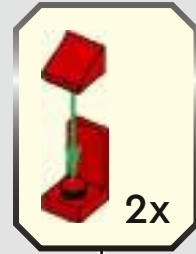


30



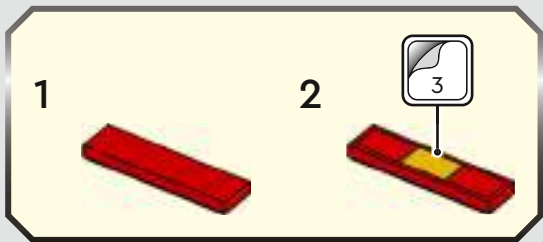


3



4

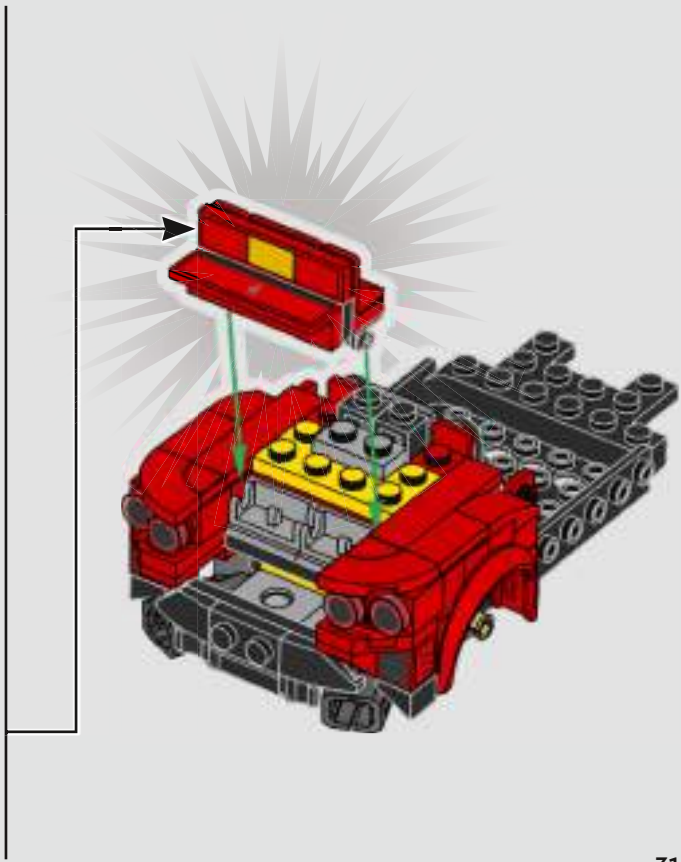




5

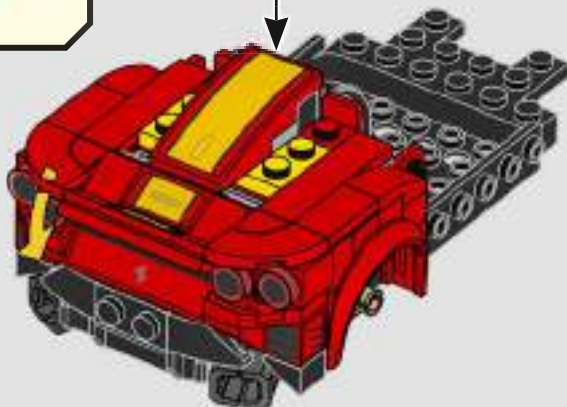
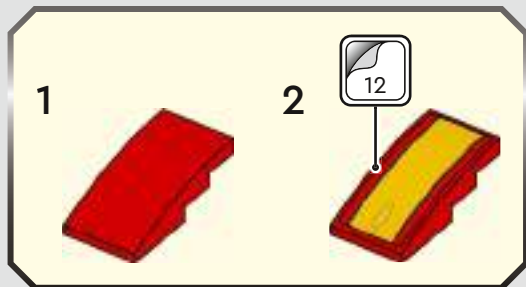


6





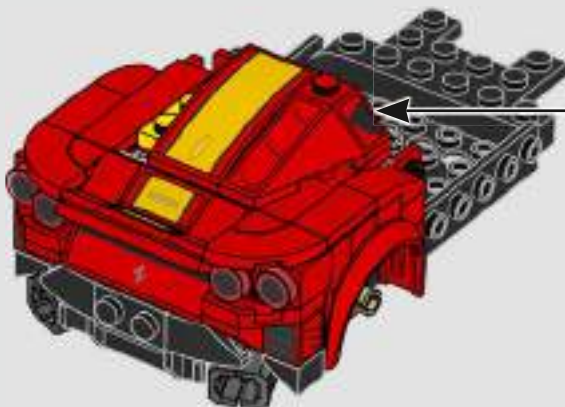
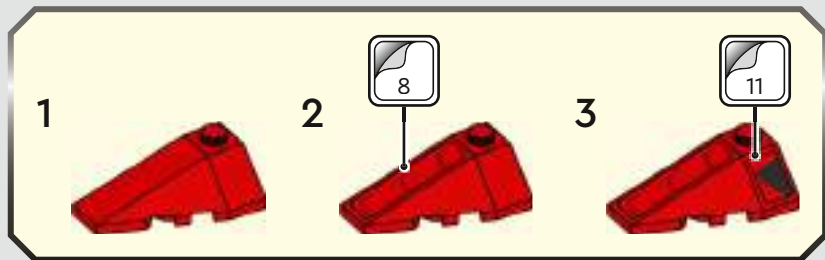
31





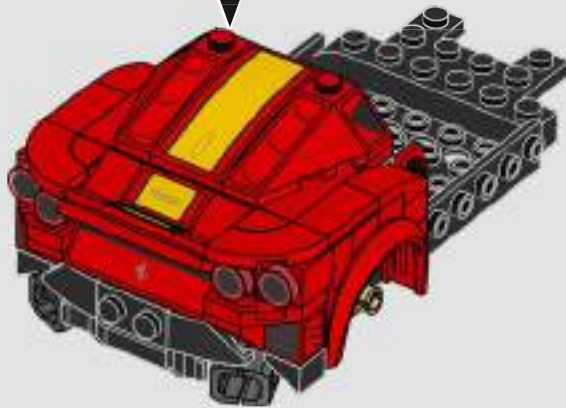
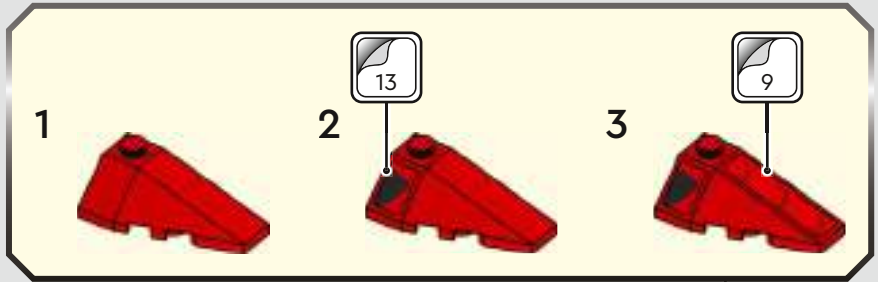


32





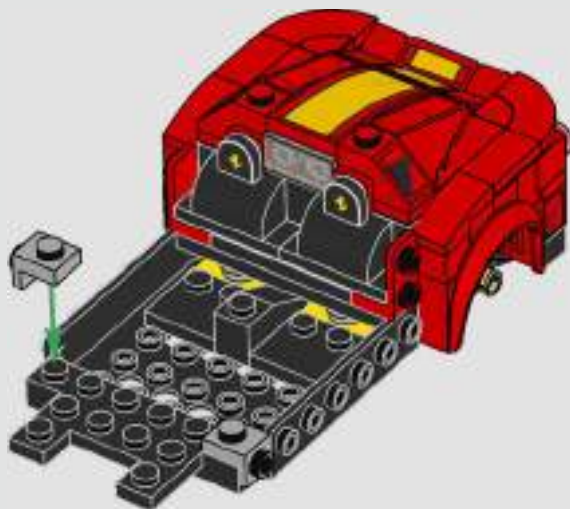
33





2x

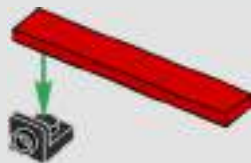
34





35

1

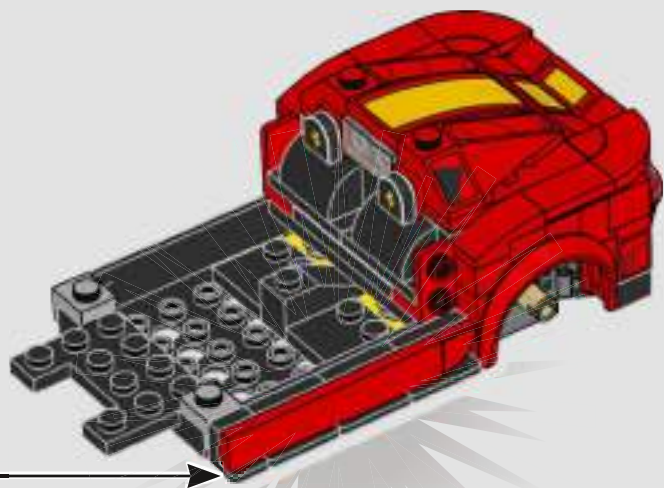


2



3







36

1

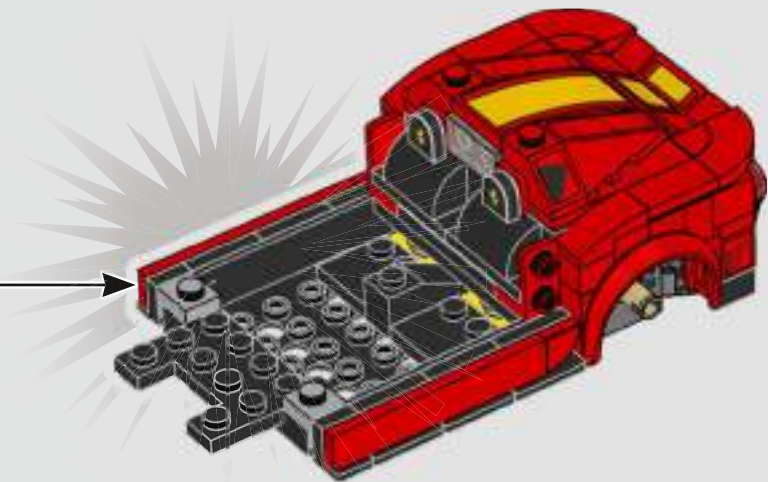


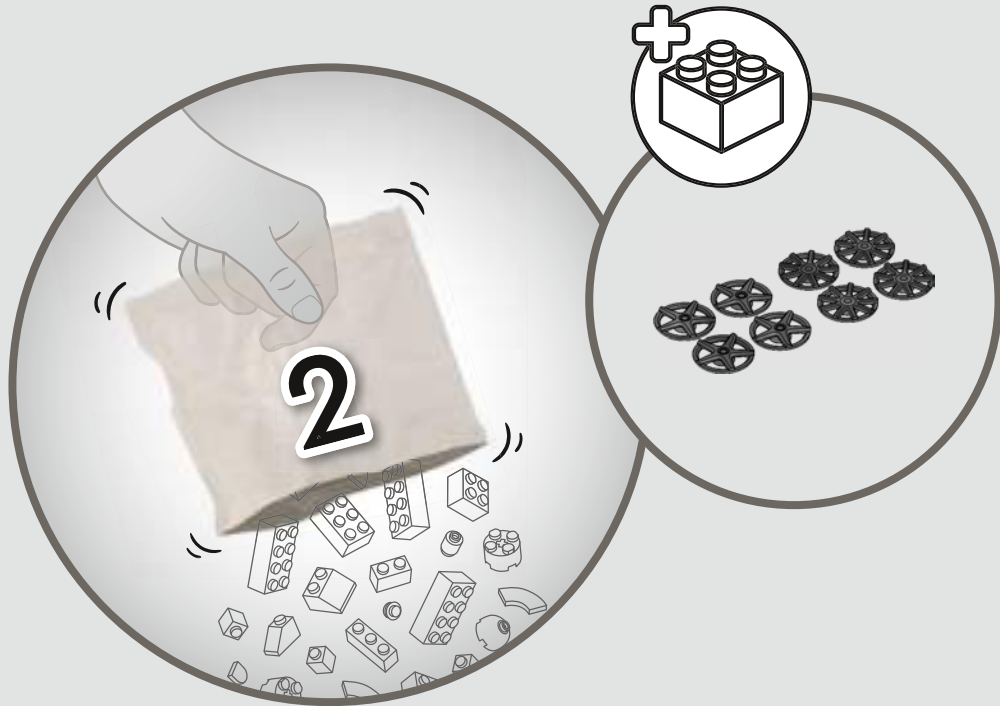
2



3



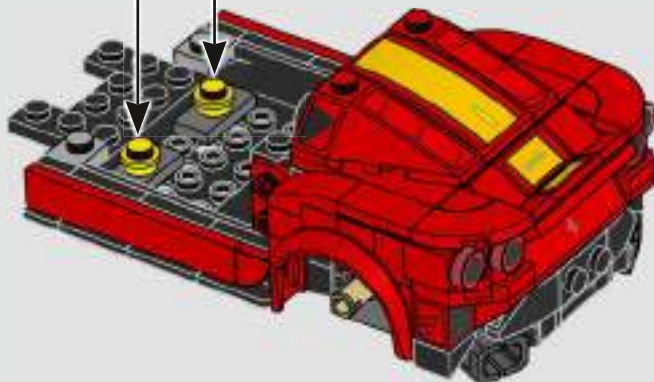


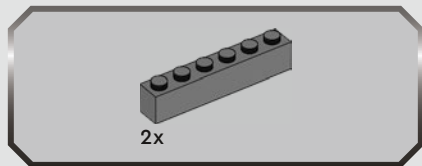




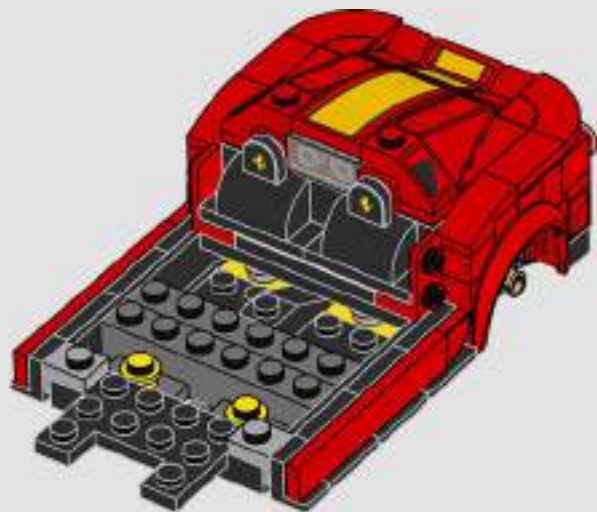


37

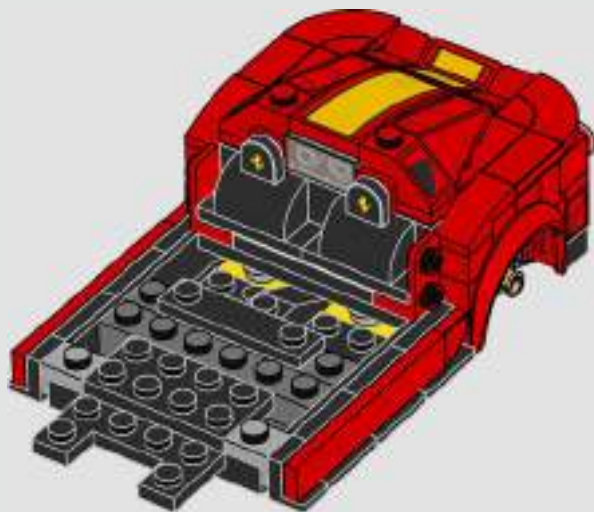


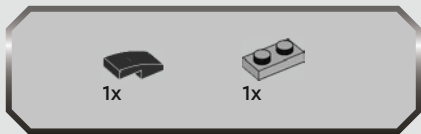


38

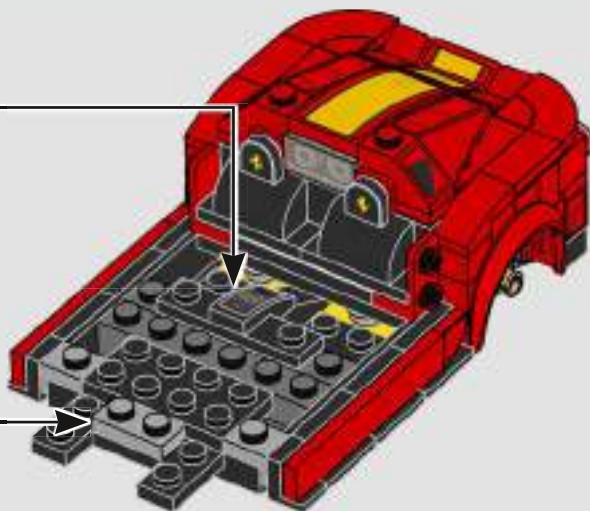
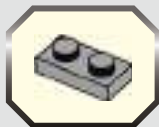


39





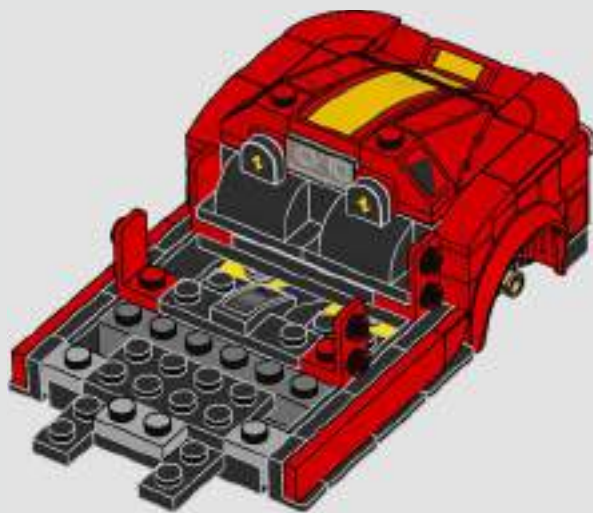
40

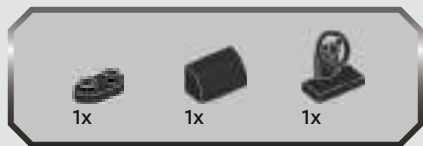




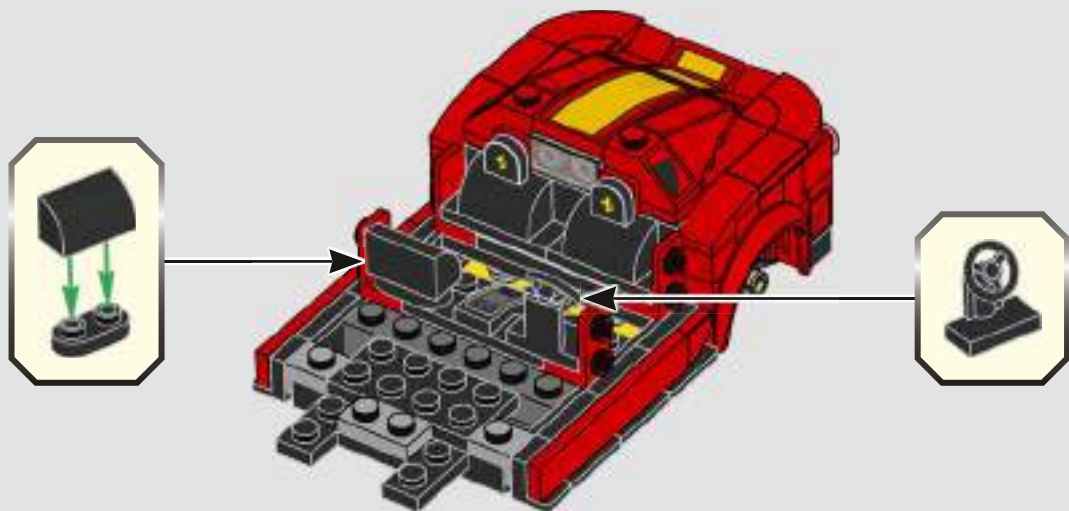
2x

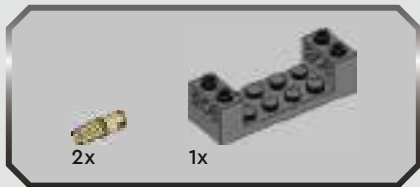
41



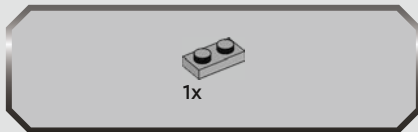
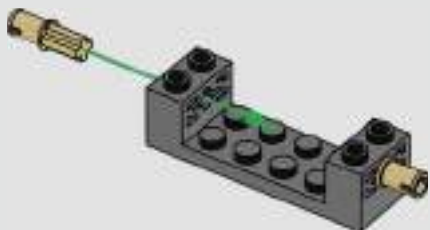


42

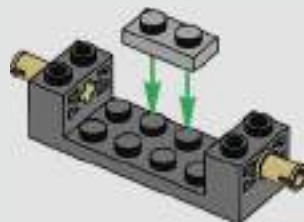


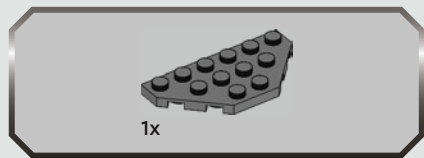


43



44

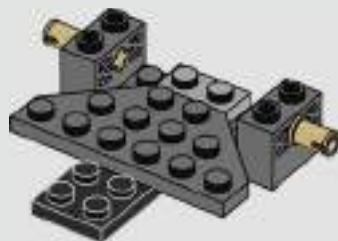




45



46





47



48







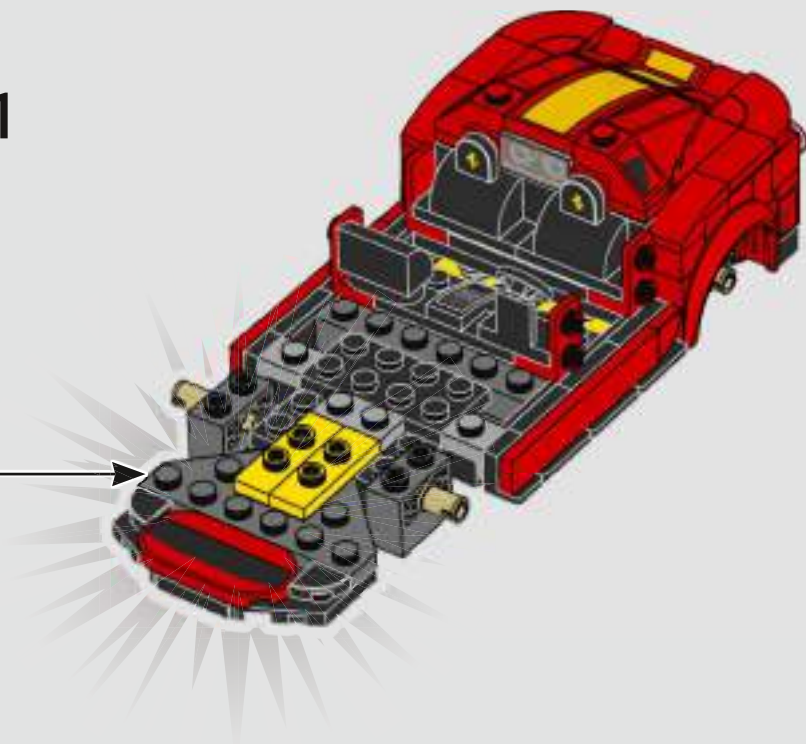
49

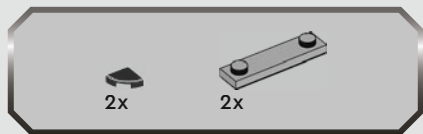


50

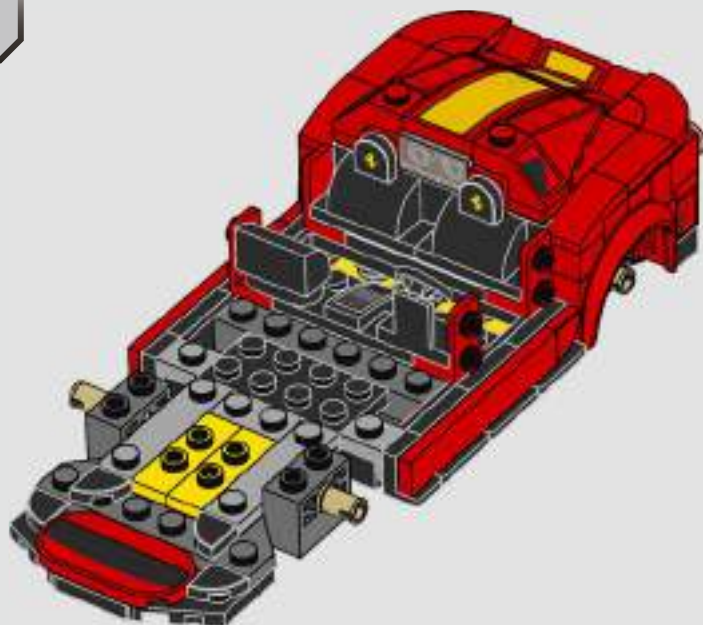


51



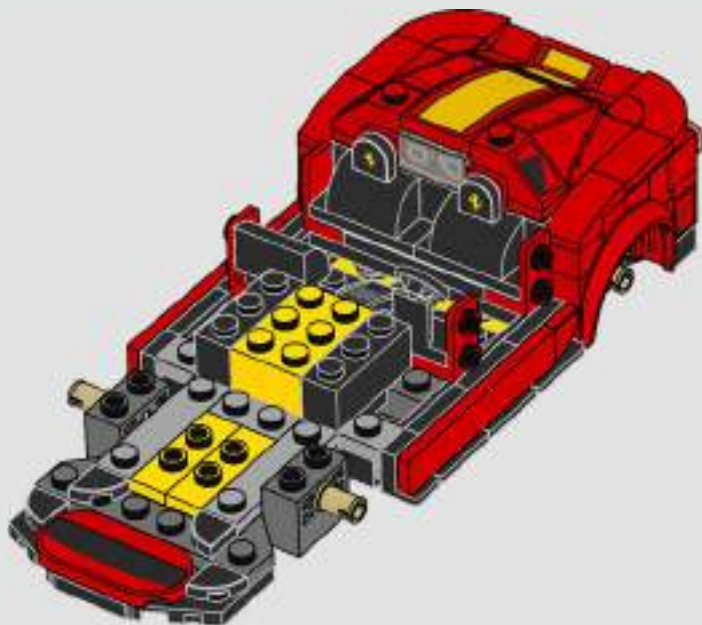


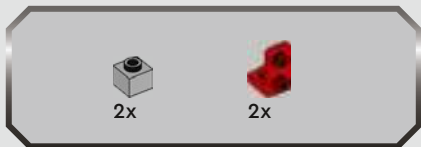
52



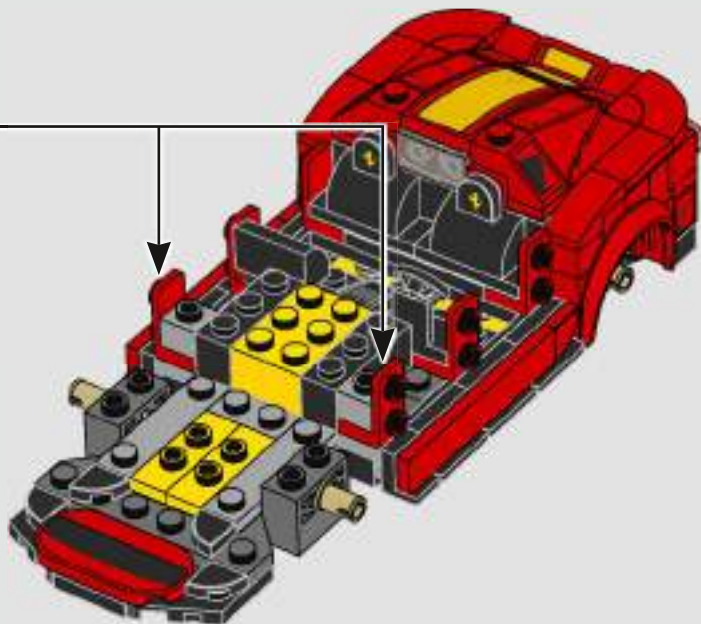
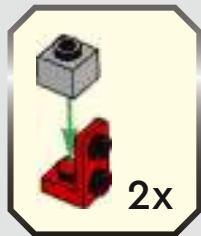


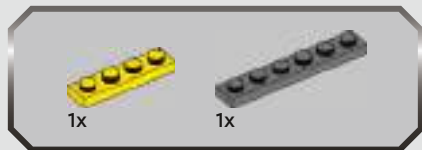
53



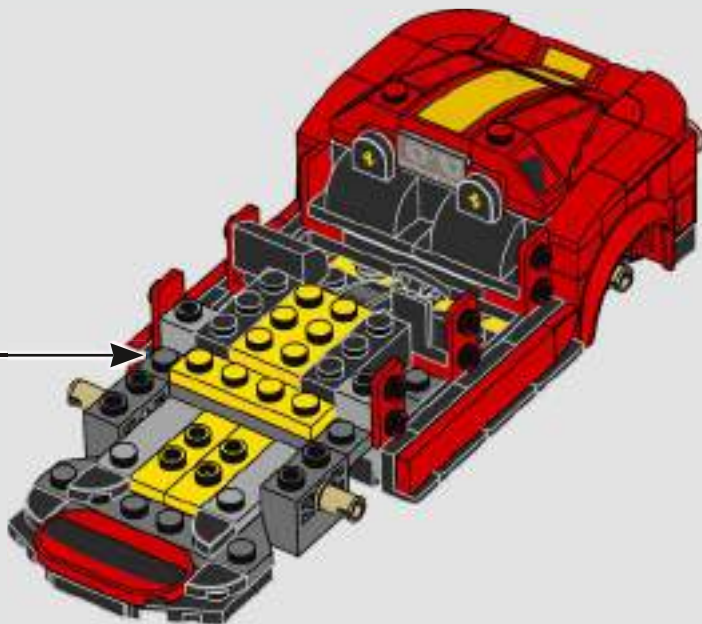
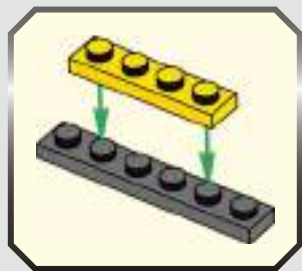


54



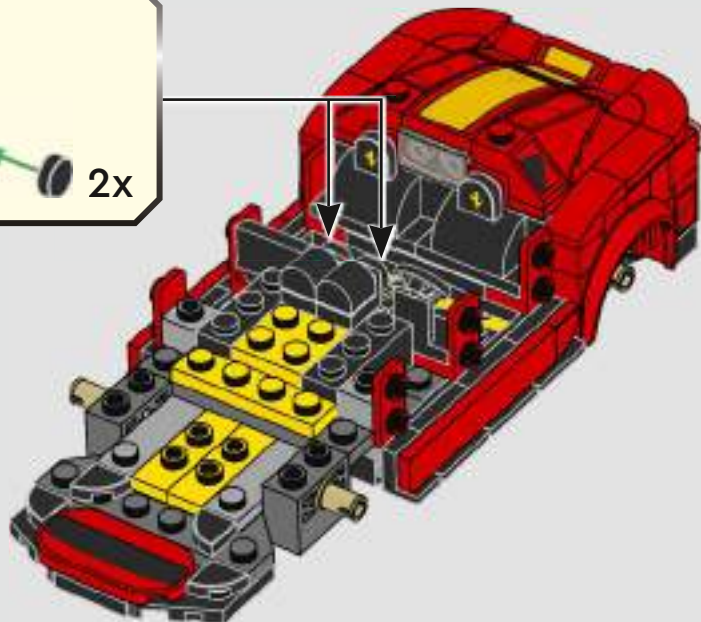
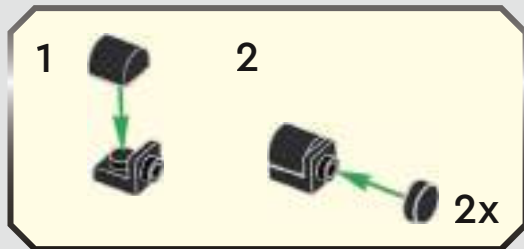


55



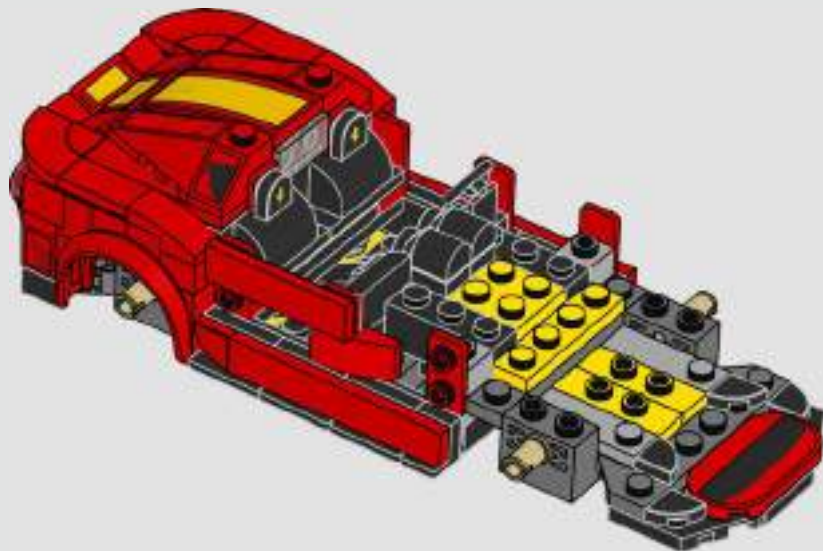


56

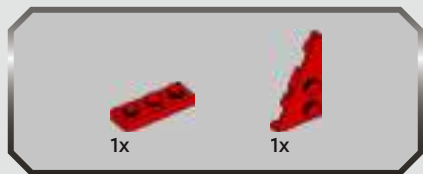




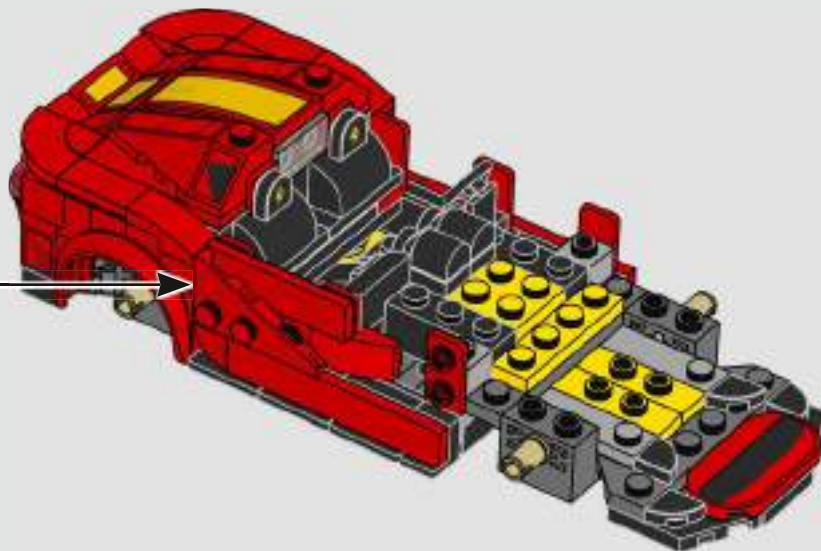
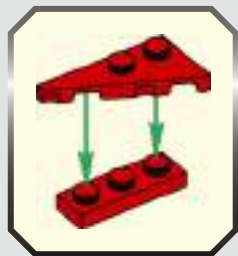
57

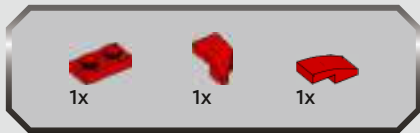




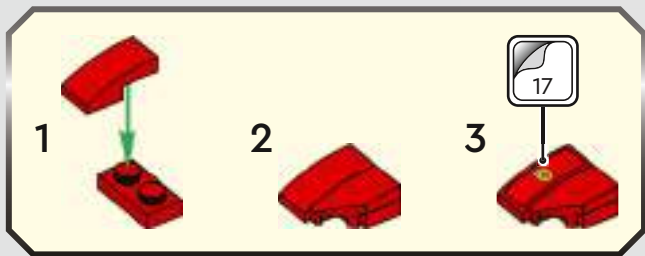
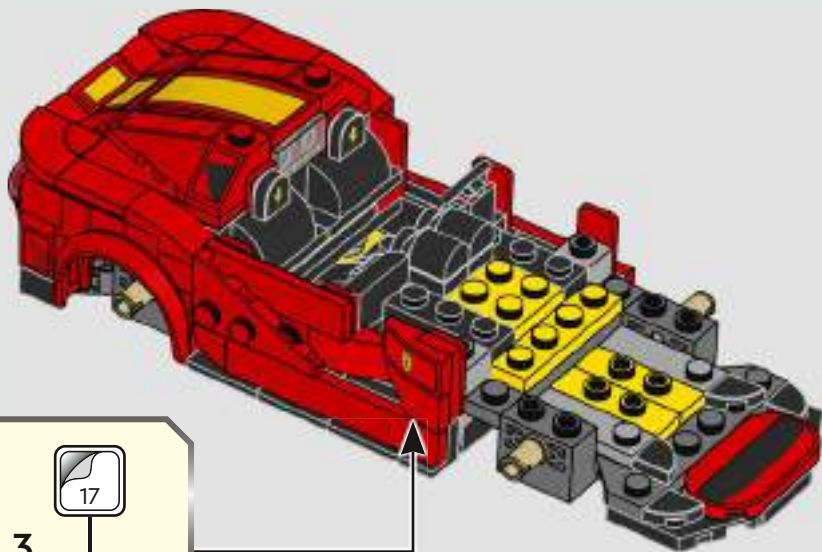


58



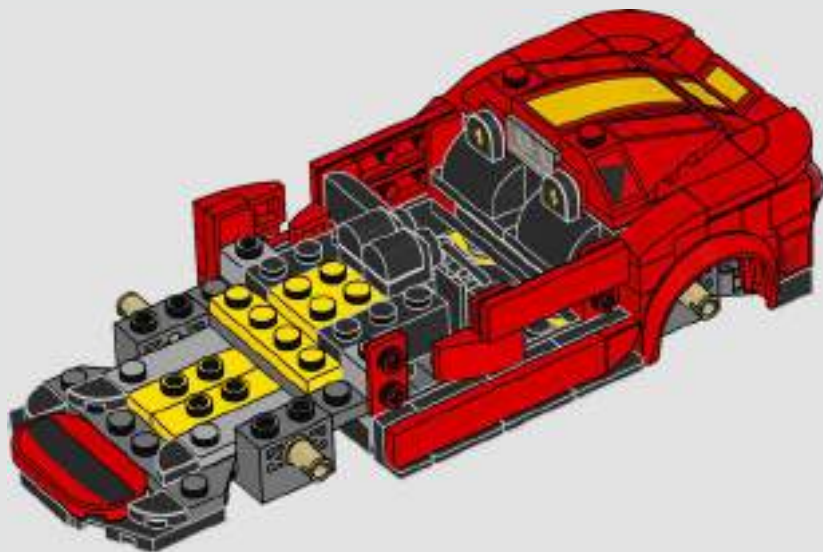


59



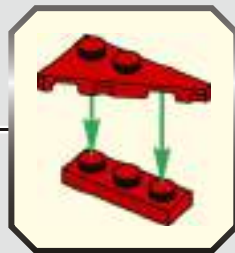
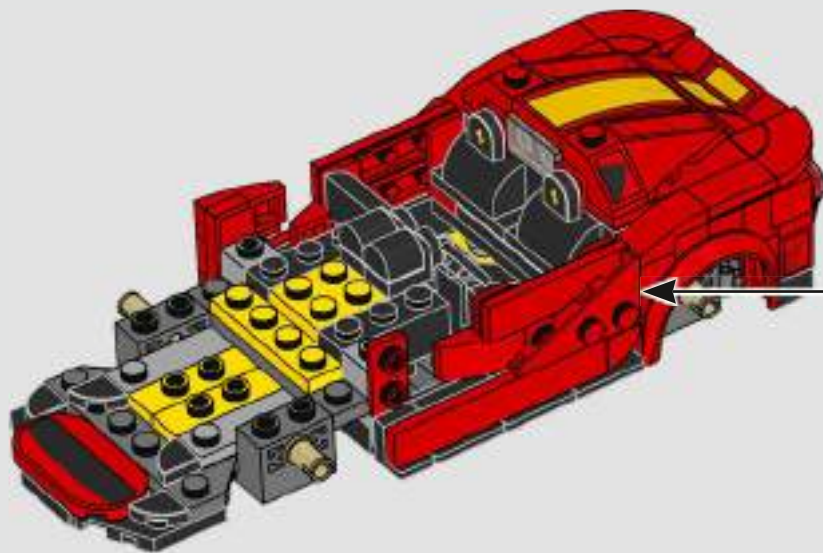


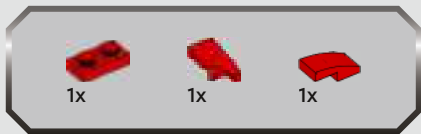
60



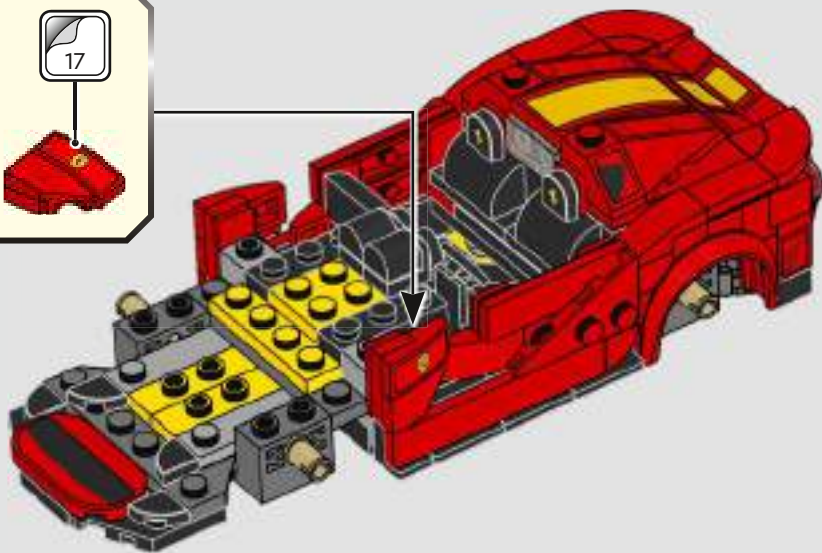
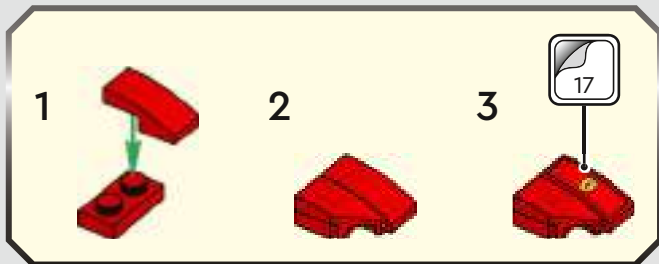


61





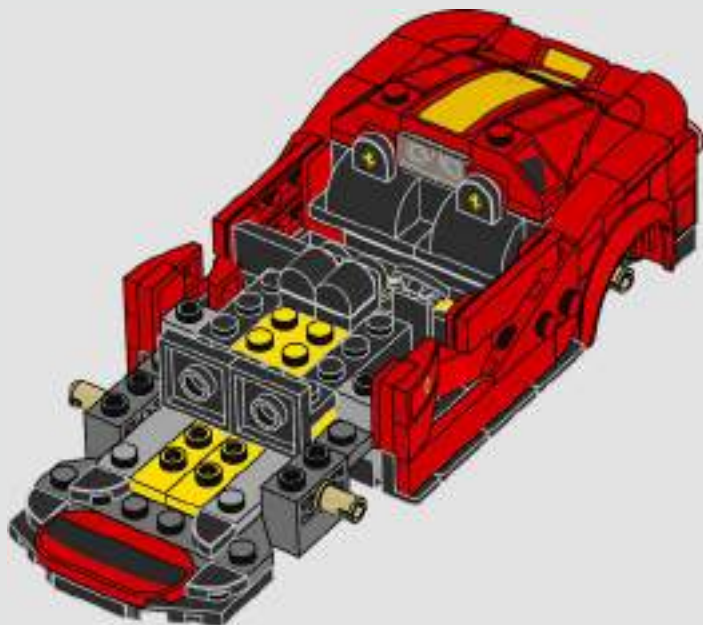
62





2x

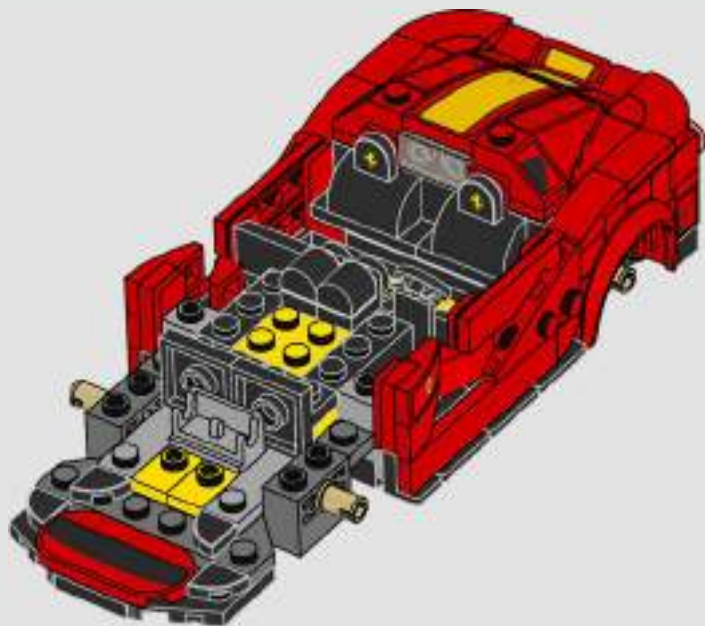
63





1x

64





65

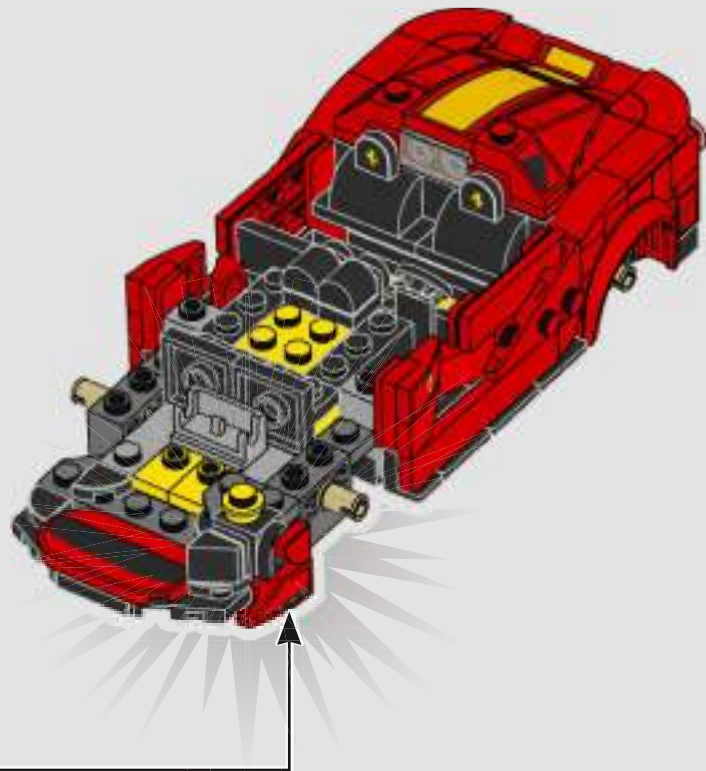


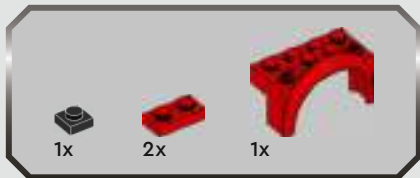


5

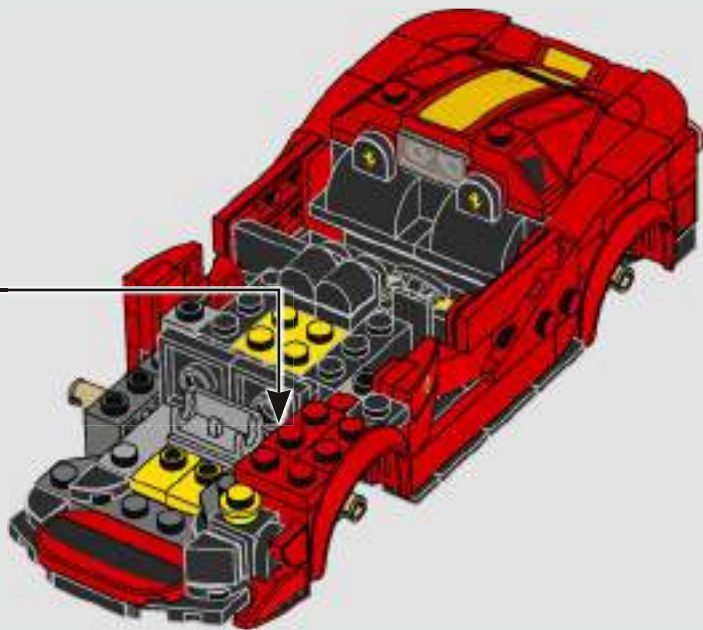
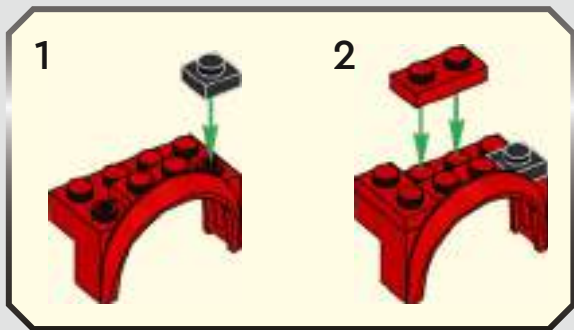


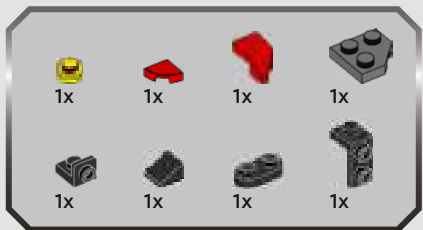
6





66





67



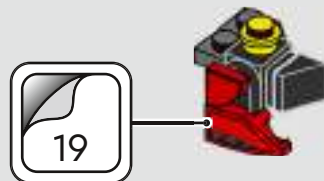
4

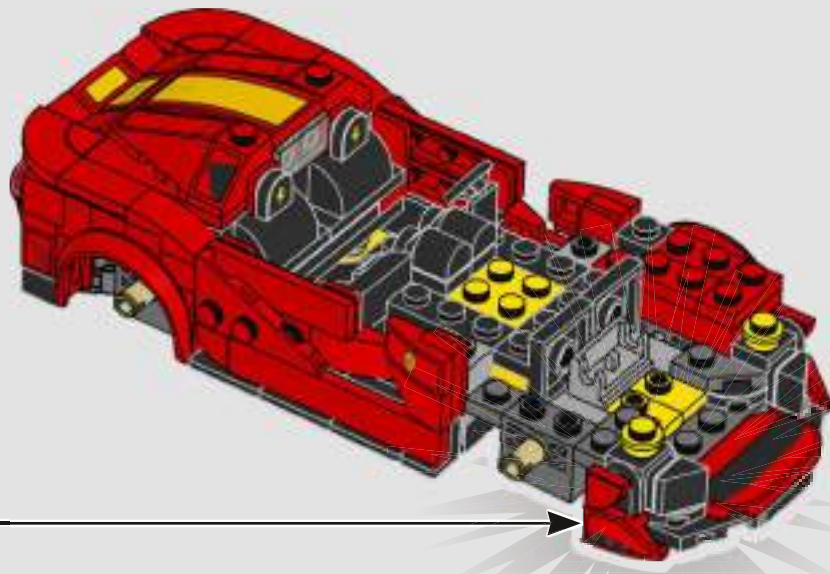


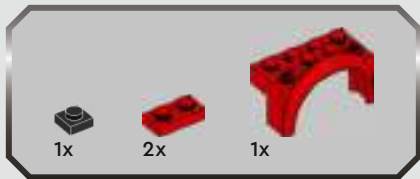
5



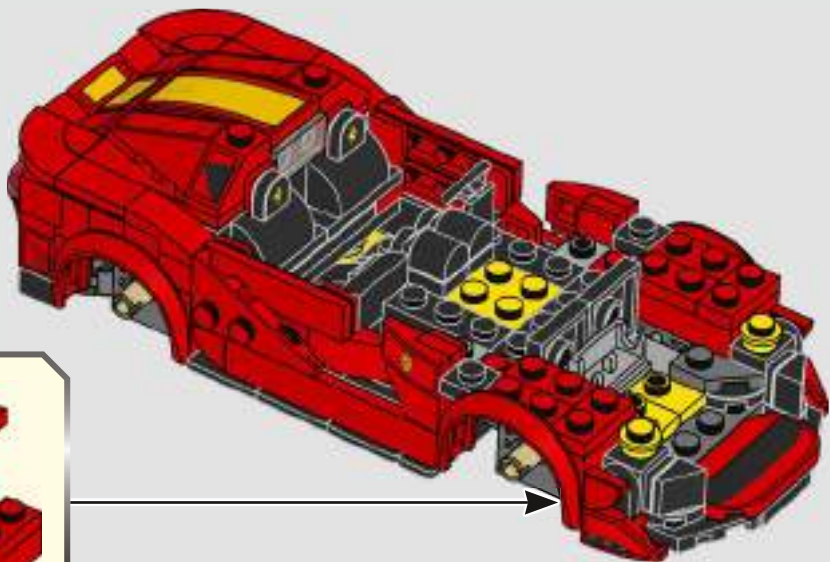
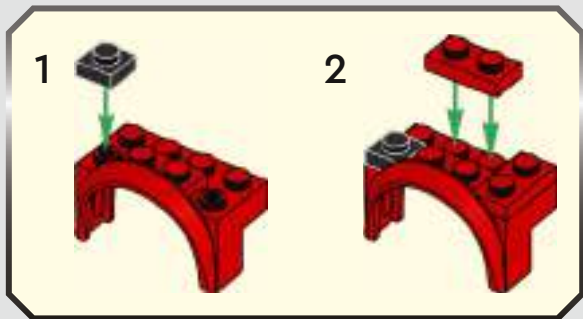
6





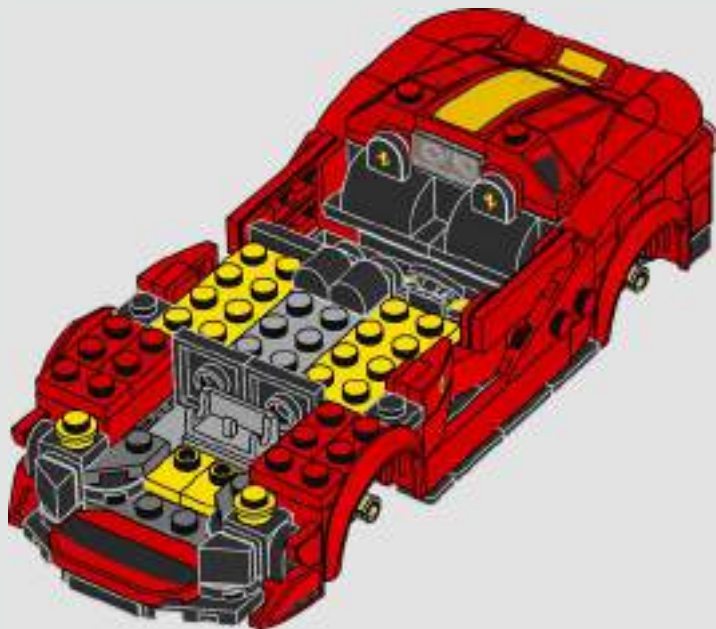


68





69



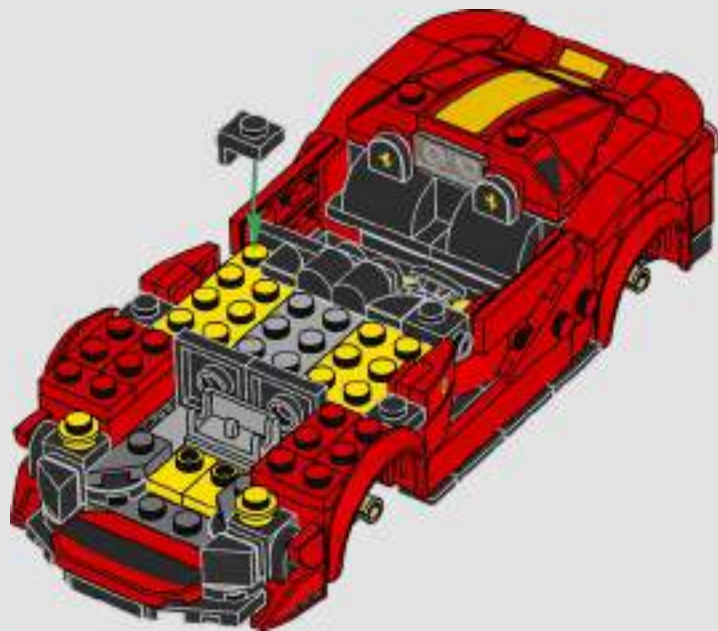


2x



2x

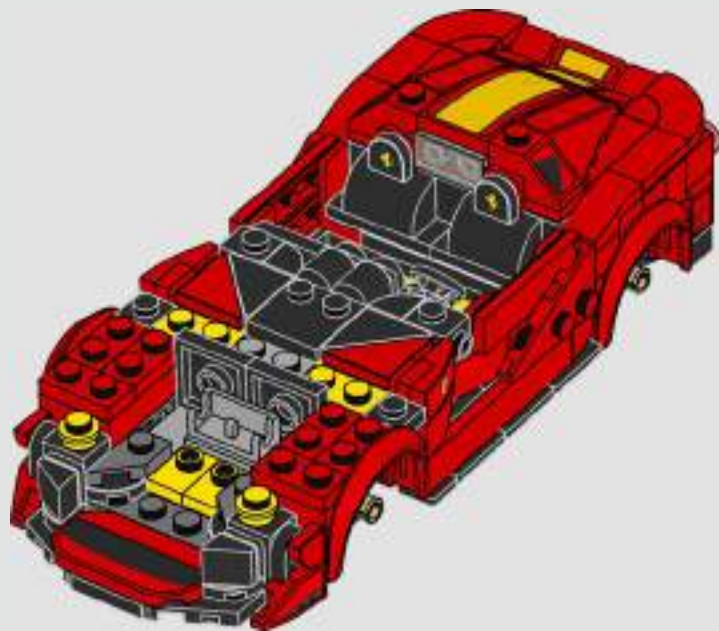
70





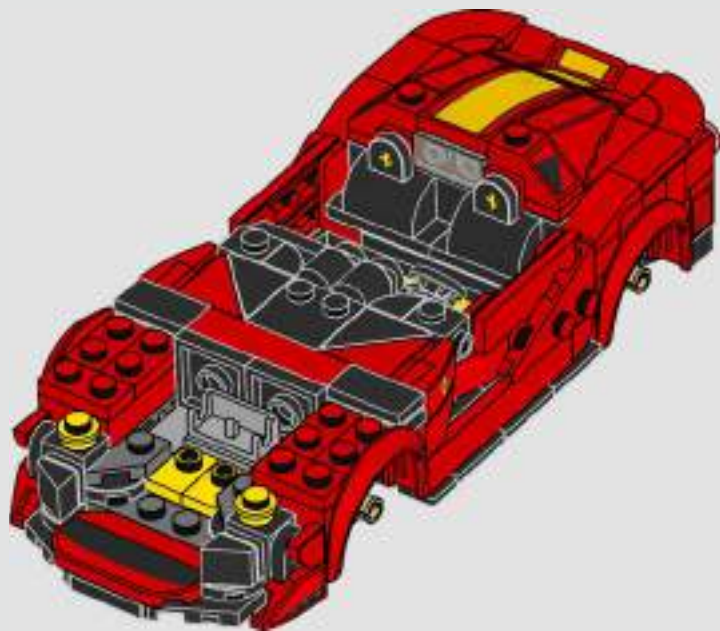


71





72



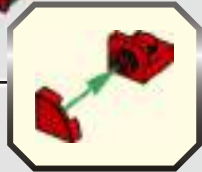
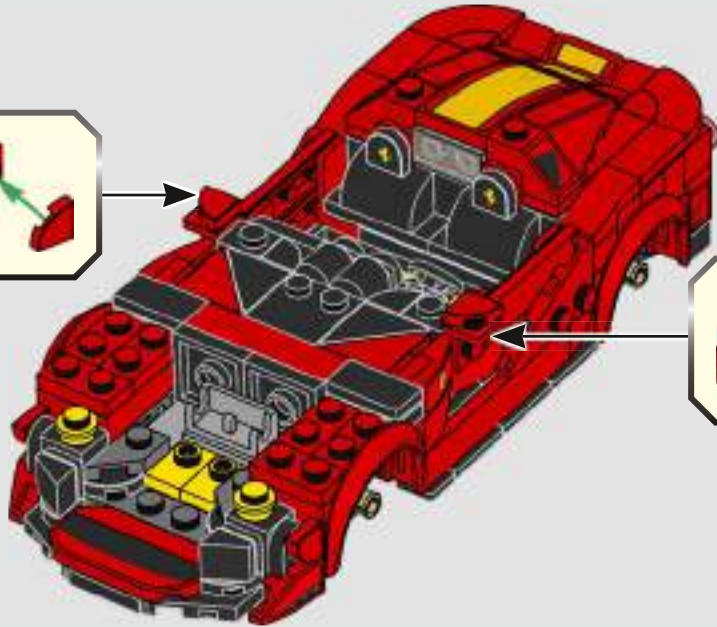
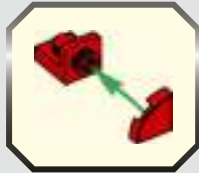


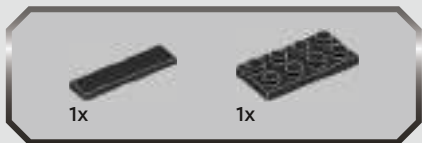
2x



2x

73





74



75

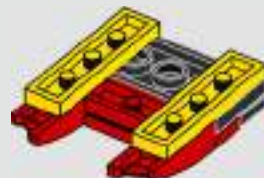




76



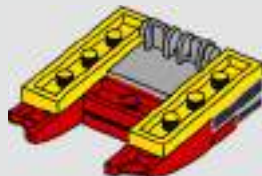
77





1x

78



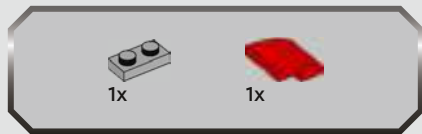
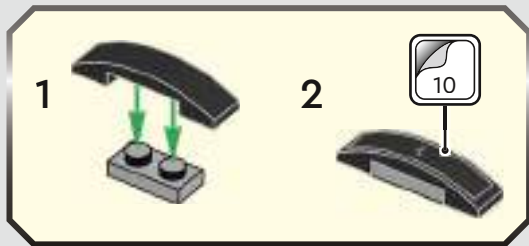
1x

79

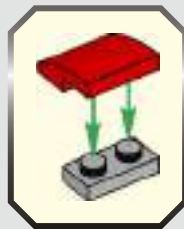




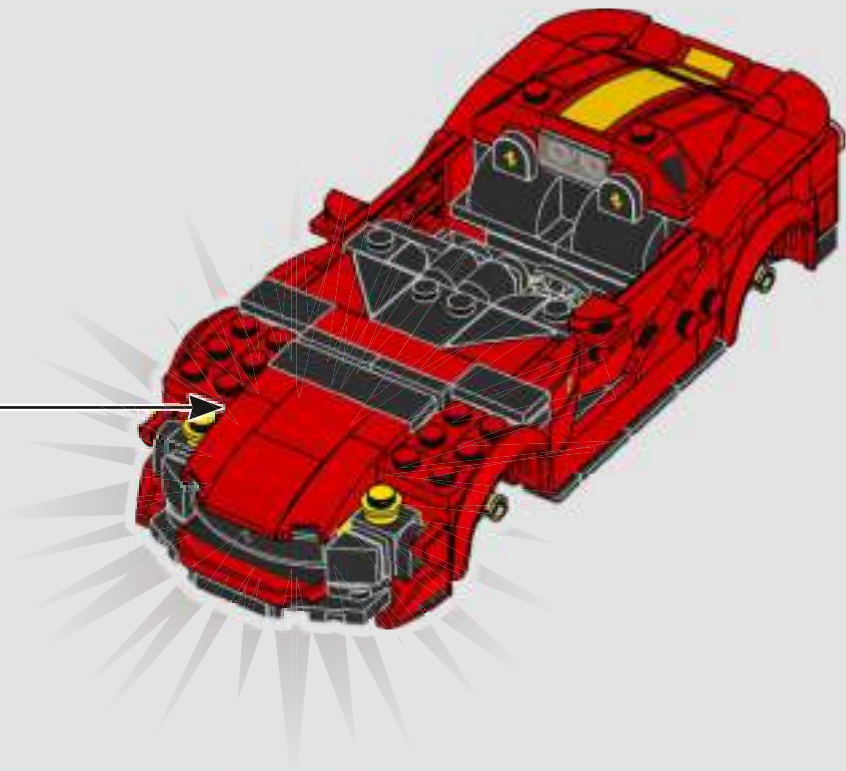
80



81



82





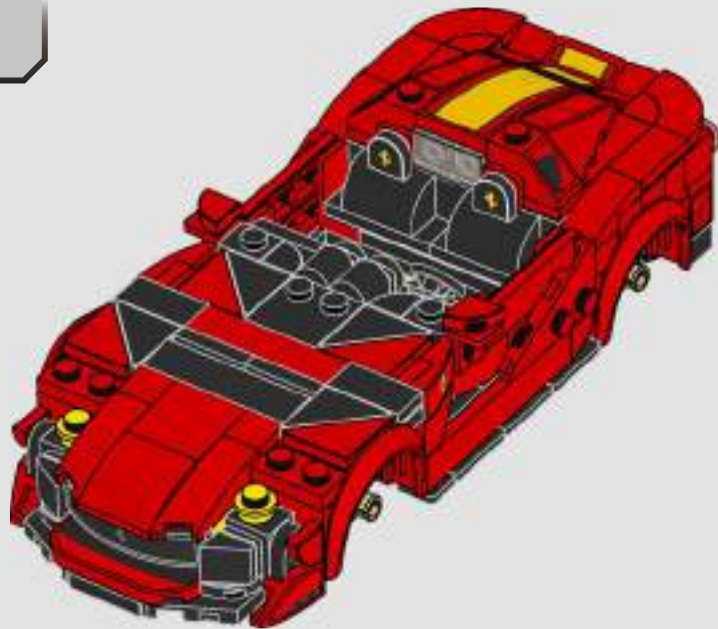


2x



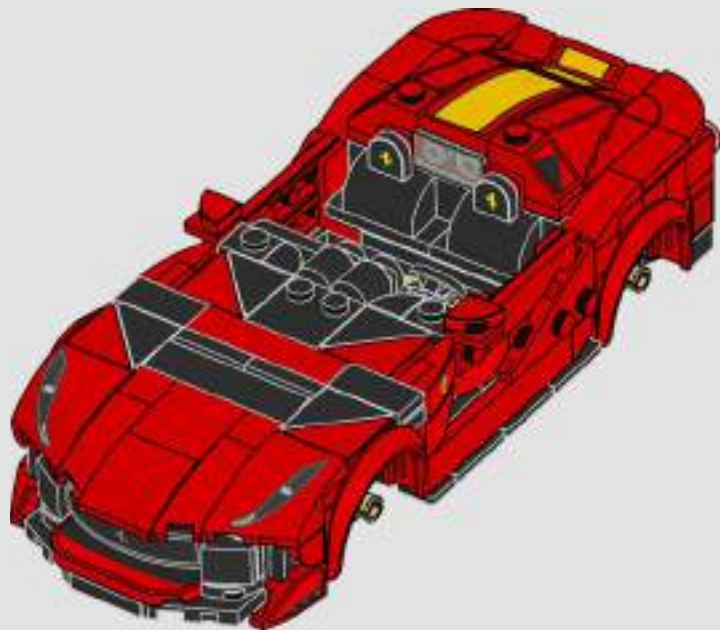
2x

83

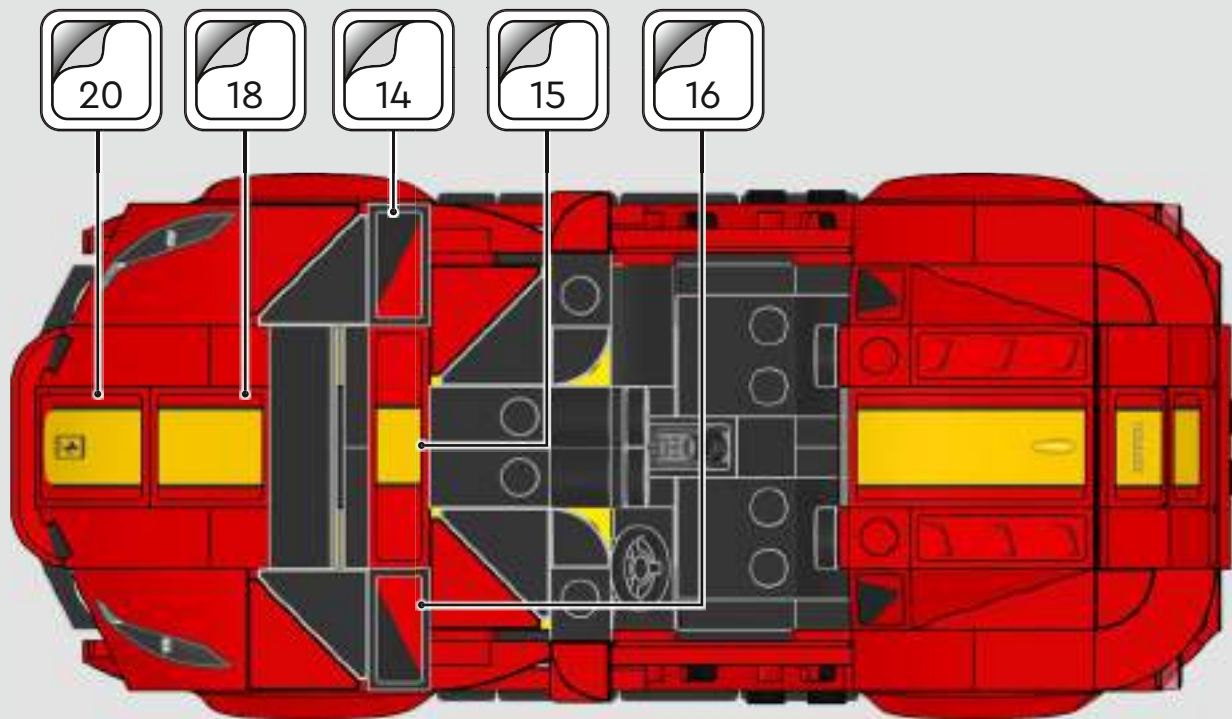




84

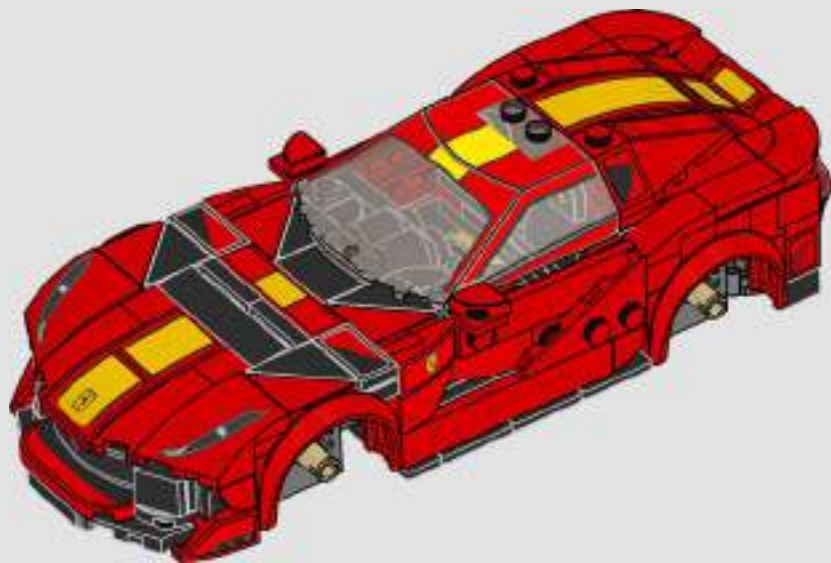


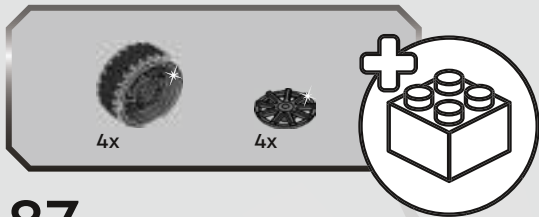
85



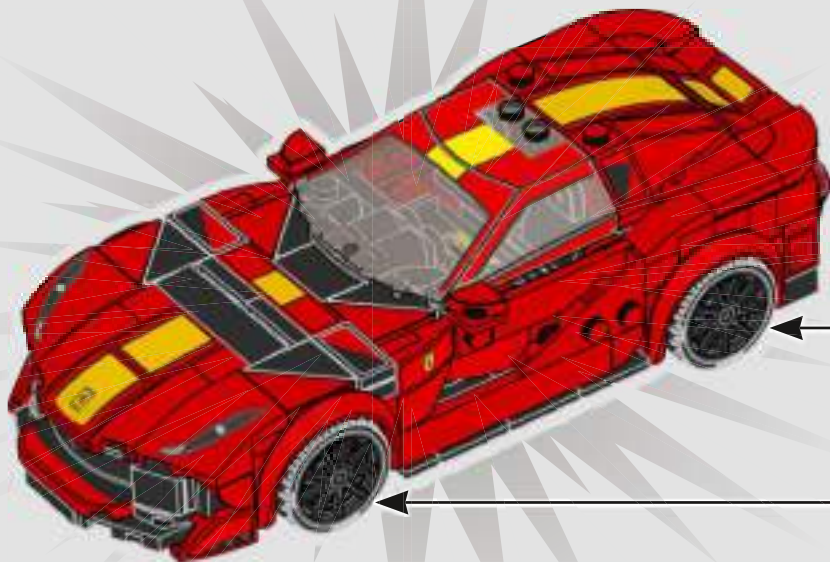


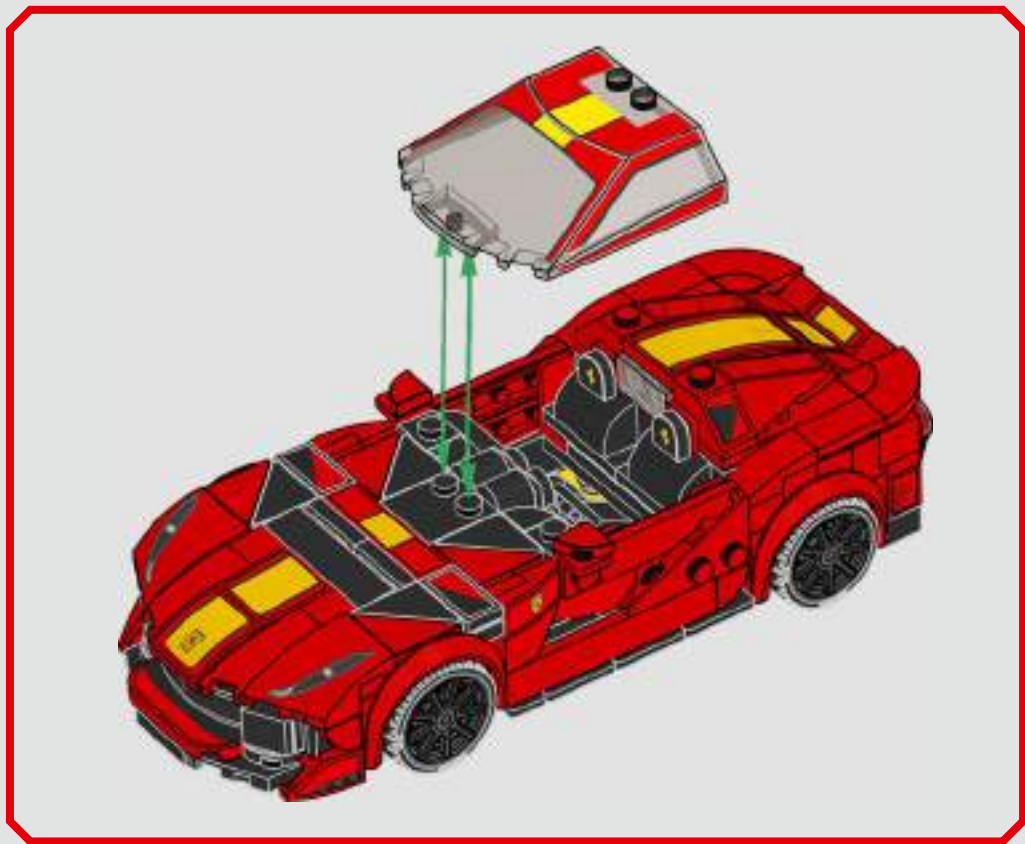
86





87













# SPEED CHAMPIONS



76918



76914

Produced under license of Ferrari S.p.A. The name FERRARI, the PRANCING HORSE device, all associated logos and distinctive designs are property of Ferrari S.p.A. The body designs of the Ferrari cars are protected as Ferrari S.p.A. property under design, trademark and trade dress regulations.



76915

The trademarks PAGANI and Pagani Automobili and Utopia are registered trademarks and used under license from HORACIO PAGANI S.P.A., Italy

Under license of Porsche AG.



76916

Nissan Motor Co., Ltd. trademarks, designs, copyrights and/or other intellectual property rights used under license.

Copyright © 24 Hours of Le Mans. « Le Mans », « 24 Hours of Le Mans » and the 24 Hours of Le Mans' logo are registered trademarks of the Automobile Club de l'Ouest and are used under license by the LEGO Group.



76917

Manufactured under license from McLaren Automotive Limited. The McLaren name and logo are registered trademarks of McLaren.

© Universal City Studios LLC. All Rights Reserved.



4x  
4666579



2x  
614121



4x  
407021



2x  
6437893



8x  
6170390



6x  
6397571



2x  
6177505



2x  
307021



2x  
4504379



4x  
6249907

**90**



2x  
6177507



2x  
6075074



1x  
4651524



2x  
306921



8x  
6345637



1x  
6286516



1x  
6286513



2x  
4569056



2x  
6173961



6x  
302321



6x  
6029946



1x  
6001806



4x  
6351892



2x  
242021



1x  
6437895



2x  
6310198



1x  
306821



1x  
6105976



2x  
362321



1x  
6437896



1x  
6438015



6x  
243121



1x  
6046379



1x  
6431123



1x  
4613174



1x  
6431121



4x  
6441691



1x  
6179656



2x  
4113858



1x  
4181138



4x  
6447377



4x  
6168647



2x  
6401023



2x  
6248078



6x  
4211398



3x  
4211469



1x  
6326478



1x  
4211881



1x  
4211396



2x  
6257593



4x  
614124



1x  
6218244



2x  
6092583



1x  
6313592



2x  
6185994



2x  
6228602



1x  
300224



3x  
371024



4x  
302024



2x  
6284070



2x  
6437897



4x  
407026



4x  
4504382



2x  
302426



2x  
6273589



6x  
6172383

1x  
6181720

1x  
4526110

2x  
6380236

2x  
6299338

6x  
6234695

1x  
4298619

4x  
6210270

1x  
6181713

3x  
6275732

2x  
306926

1x  
73081

1x  
6047276

2x  
393826

7x  
6020193

2x  
6250020

4x  
6214807

3x  
6192346

1x  
400626

2x  
6199908

1x  
428626

2x  
362226

1x  
6438003

2x  
4531412

1x  
4504187

2x  
371026

1x  
6254045

1x  
4613153

3x  
302026

2x  
4243819

1x  
243126

1x  
300926

1x  
379526



1x  
6424673

1x  
6244787

1x  
6251292



1x  
6437891

2x  
6360675

2x  
6092572

2x  
6164073

1x  
4222693

1x  
4211056

2x  
4211100

1x  
4210984

2x  
6287680

2x  
6345880

4x  
6337780

1x  
6323457

 [LEGO.com/service](https://www.LEGO.com/service)



YOU COULD  
**WIN**



Scan this QR code or go to  
**LEGO.COM/PRODUCTFEEDBACK** and give us  
your short feedback about this LEGO® set for  
a chance to win a cool LEGO prize.

Terms and Conditions apply\*

**DE: Du könntest GEWINNEN.** Es gelten die Teilnahmebedingungen\* **FR: Tu pourrais GAGNER.** Des conditions s'appliquent\* **IT: Potresti VINCERE tu.** Termini e condizioni sono applicabili\* **ES: Puedes GANAR.** Aplican términos y condiciones\* **PT: Poderá GANHAR.** Aplicam-se termos e condições\* **JA: プレゼント付き! 利用規約が適用されます\*** **ZH: 轻松获奖. 条款和条件适用\*** **KO: 상품의 주인이 되어보세요. 소정의 약관이 적용됩니다\*** **RU: Вы можете ВЫИГРАТЬ.** Действуют положения и условия\* **PL: Szansa na WYGRANĄ.** Obowiązują warunki korzystania\* **CS: Máte šanci VYHRÁT.** Platí všeobecné smluvní podmínky\* **SK: Máte šancu VYHRAŤ.** Platia všeobecné zmluvné podmienky\* **HU: TE IS NYERHETSZ.** Felhasználási feltételek érvényesek\* **RO: Ai putea CÂȘTIGA.** Se aplică termenii și condițiile\* **BG: Можете да СПЕЧЕЛИТЕ.** Има определени правила и условия\* **LV: Tu vari LAIMĒT.** Ir spēkā noteikumi un nosacījumi.\* **ET: Sul on võimalus VÕITA.** Kehtivad tingimused\* **LT: Jūs galite LAIMĖTI.** Taikomos sąlygos\*

\*[LEGO.com/productfeedback-terms](https://www.lego.com/productfeedback-terms)

LEGO and the LEGO logo are trademarks of the/sonnt des marques de commerce du/son marcas registradas de LEGO Group. ©2023 The LEGO Group. Produced under license of Ferrari S.p.A. The name FERRARI, the PRANCING HORSE device, all associated logos and distinctive designs are property of Ferrari S.p.A. The body designs of the Ferrari cars are protected as Ferrari S.p.A. property under design, trademark and trade dress regulations.

6491932