

NG-43 SERIES

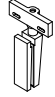
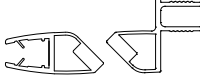
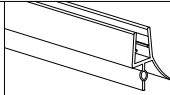





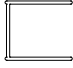


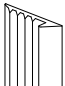

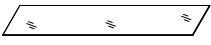
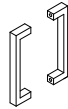
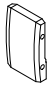
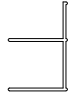


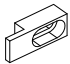
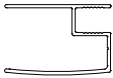
NG-63 SERIES

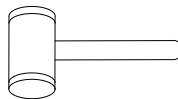
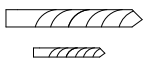
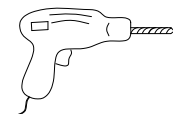
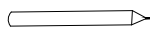
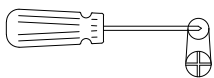
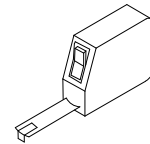
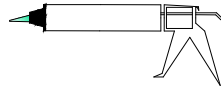
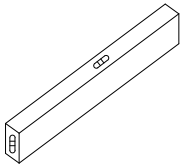
NG-83 SERIES

NG-43 SERIES+NG-A SERIES

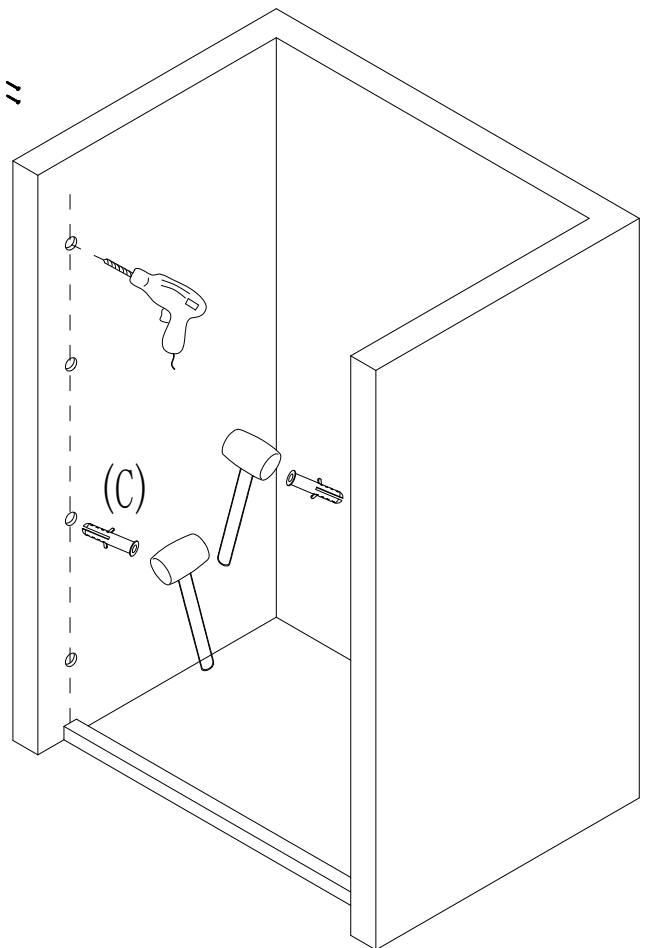
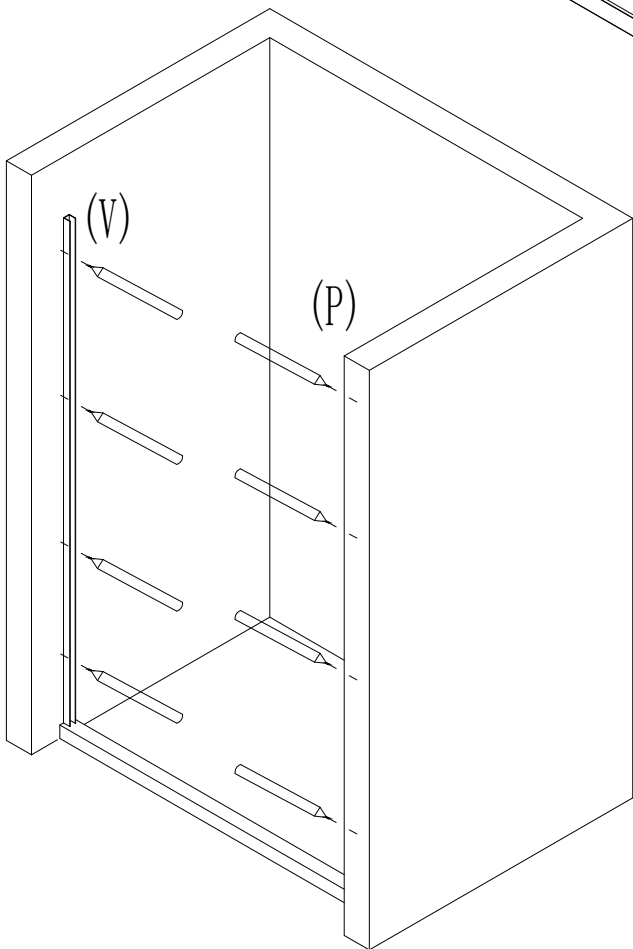
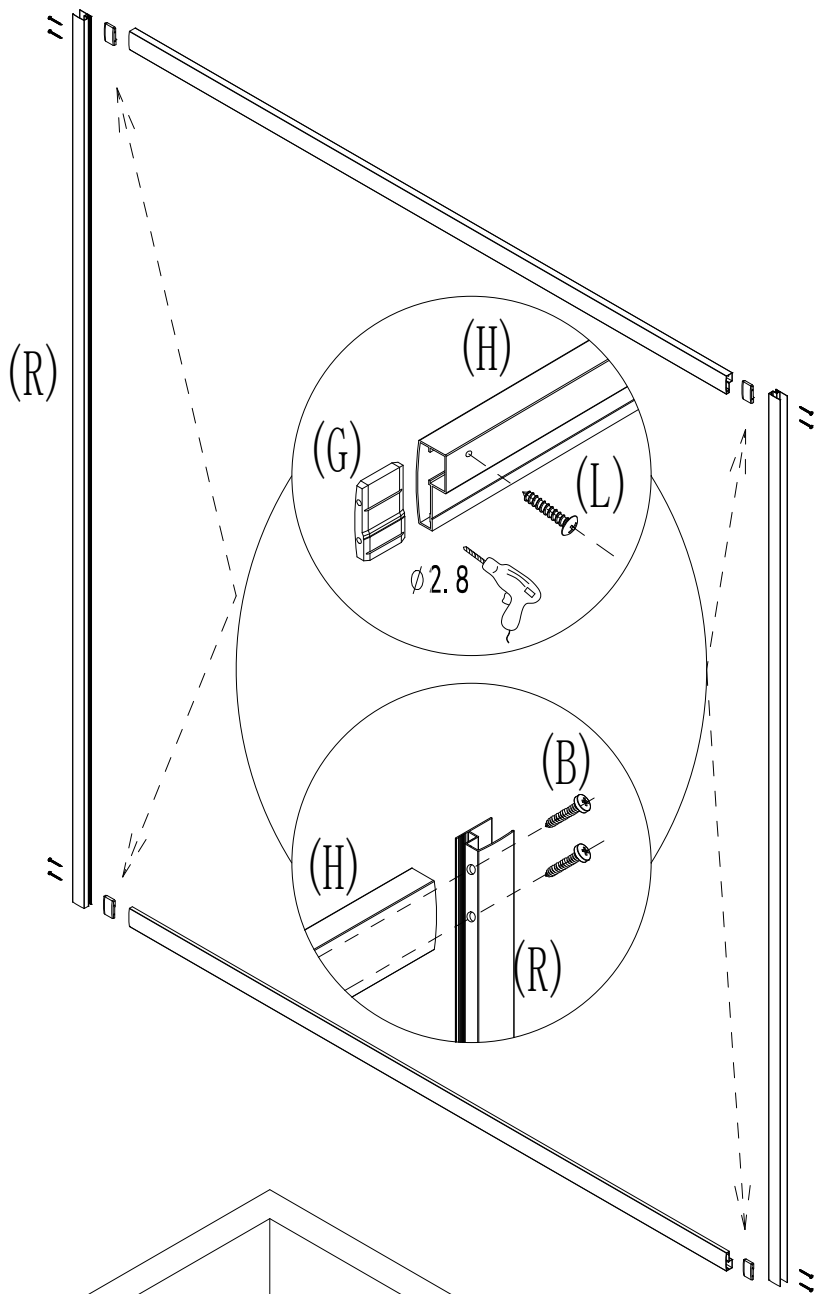
NG-63 SERIES+NG-A SERIES

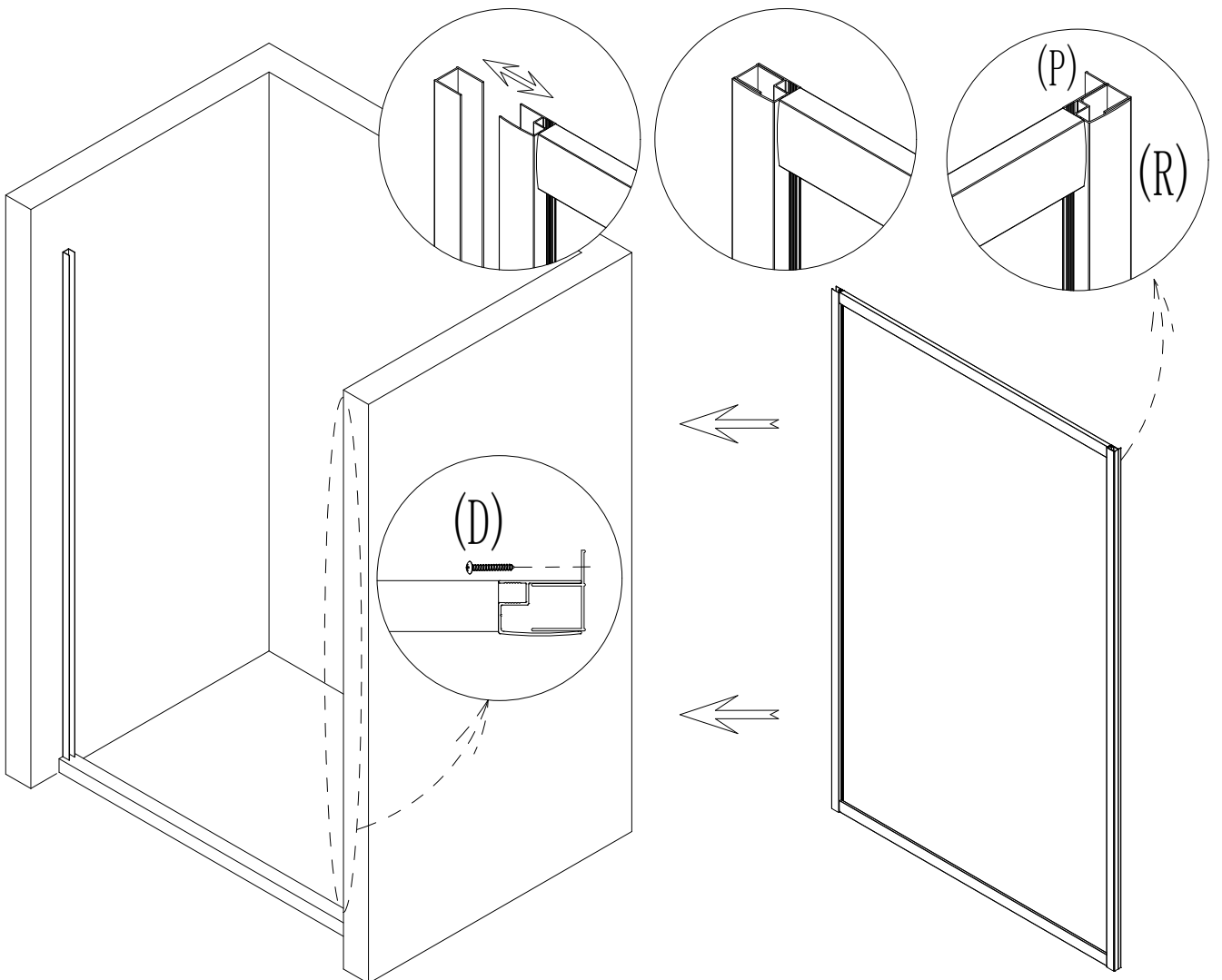
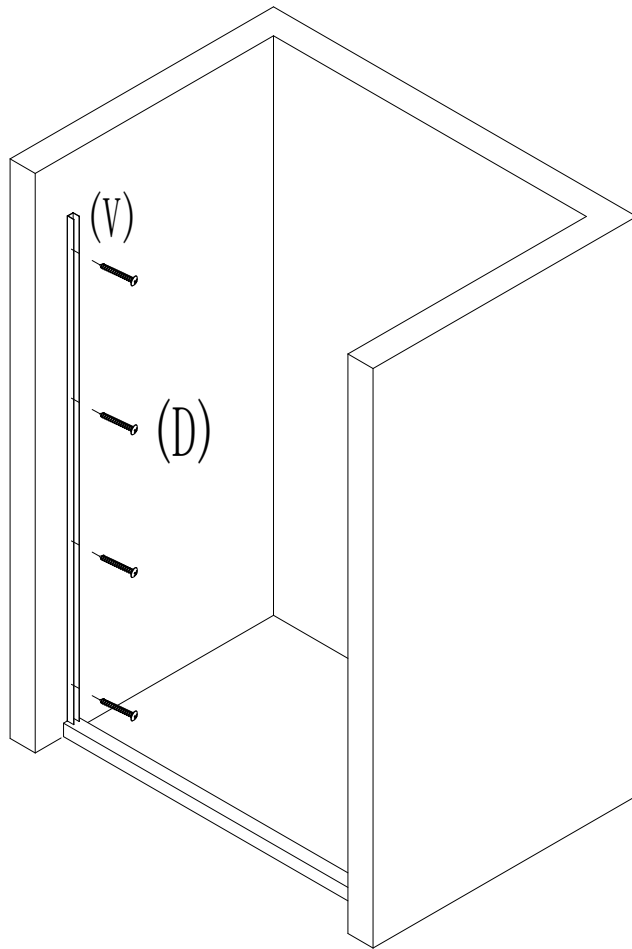
NG-83 SERIES+NG-A SERIES

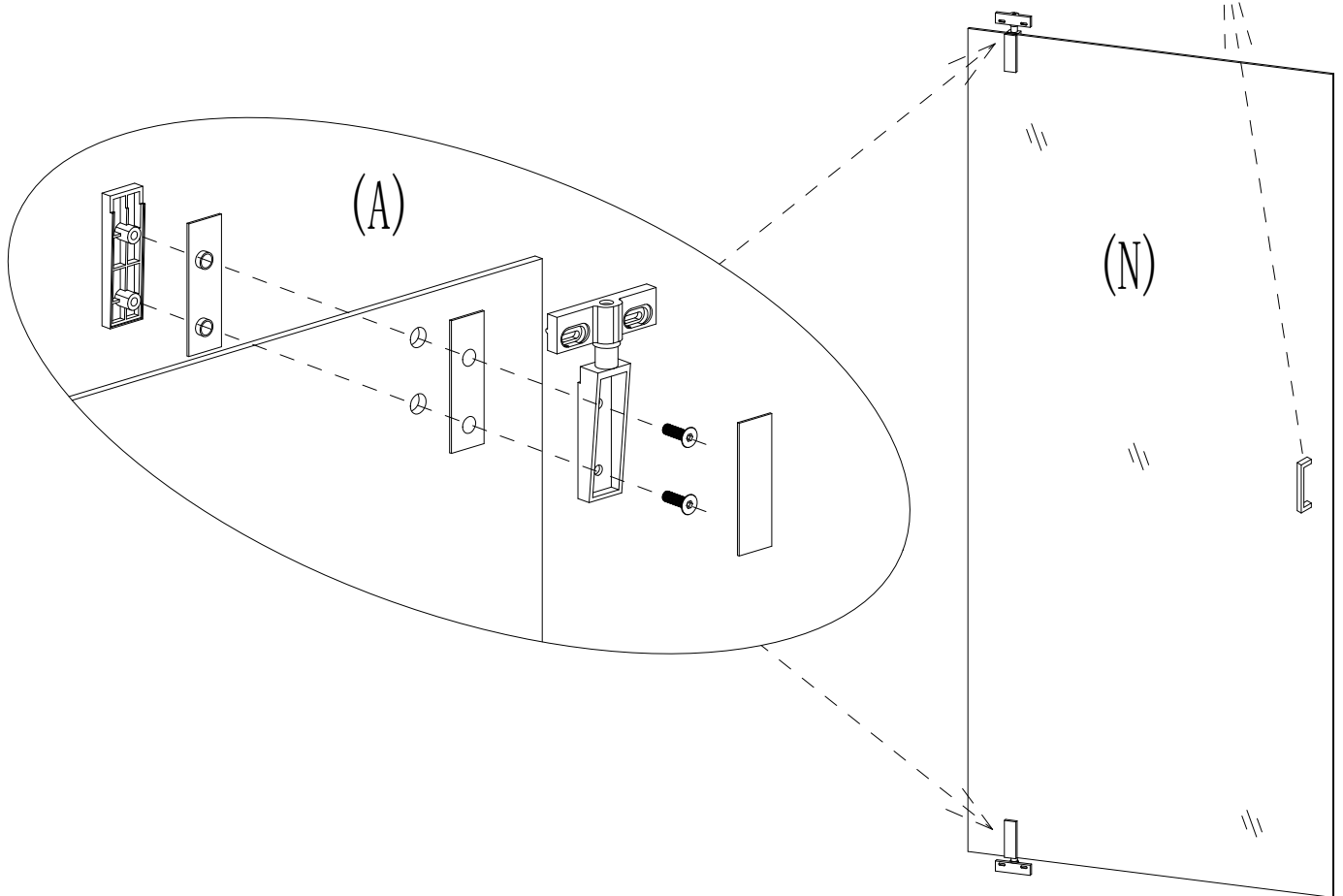
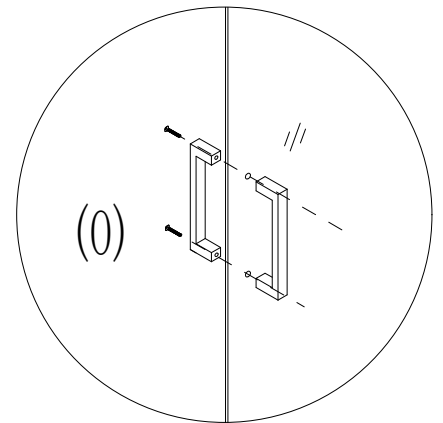
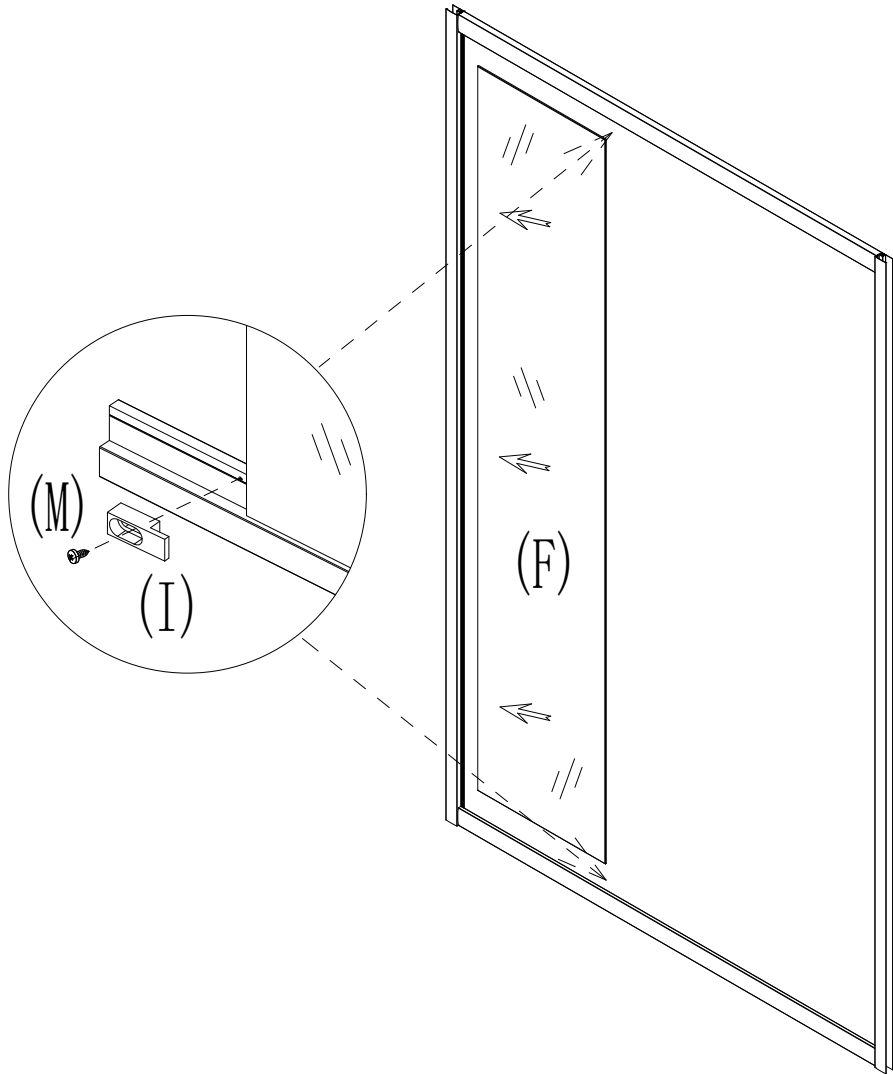
A		2	J		1	S		1
B	 ST4X16	8	K	 ST4X10	4	U	 ST4X10	6
C		8	L	 ST4X15	4	V		1
D	 ST4X30	8	M	 ST4X10	2			
E		1	N		1			
F		1	O		1			
G		4	P		1			
H		2	Q		1			
I		2	R		2			

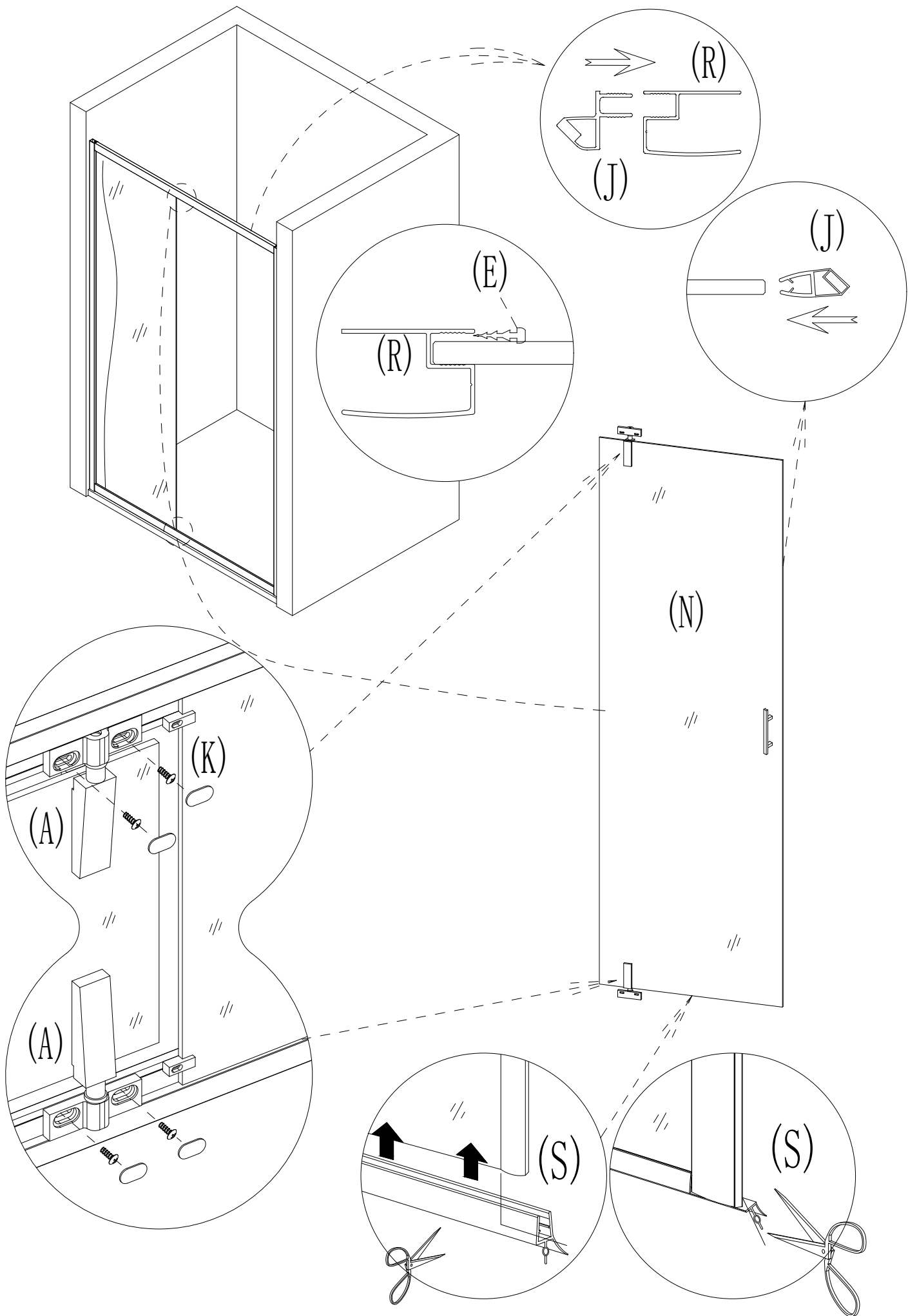


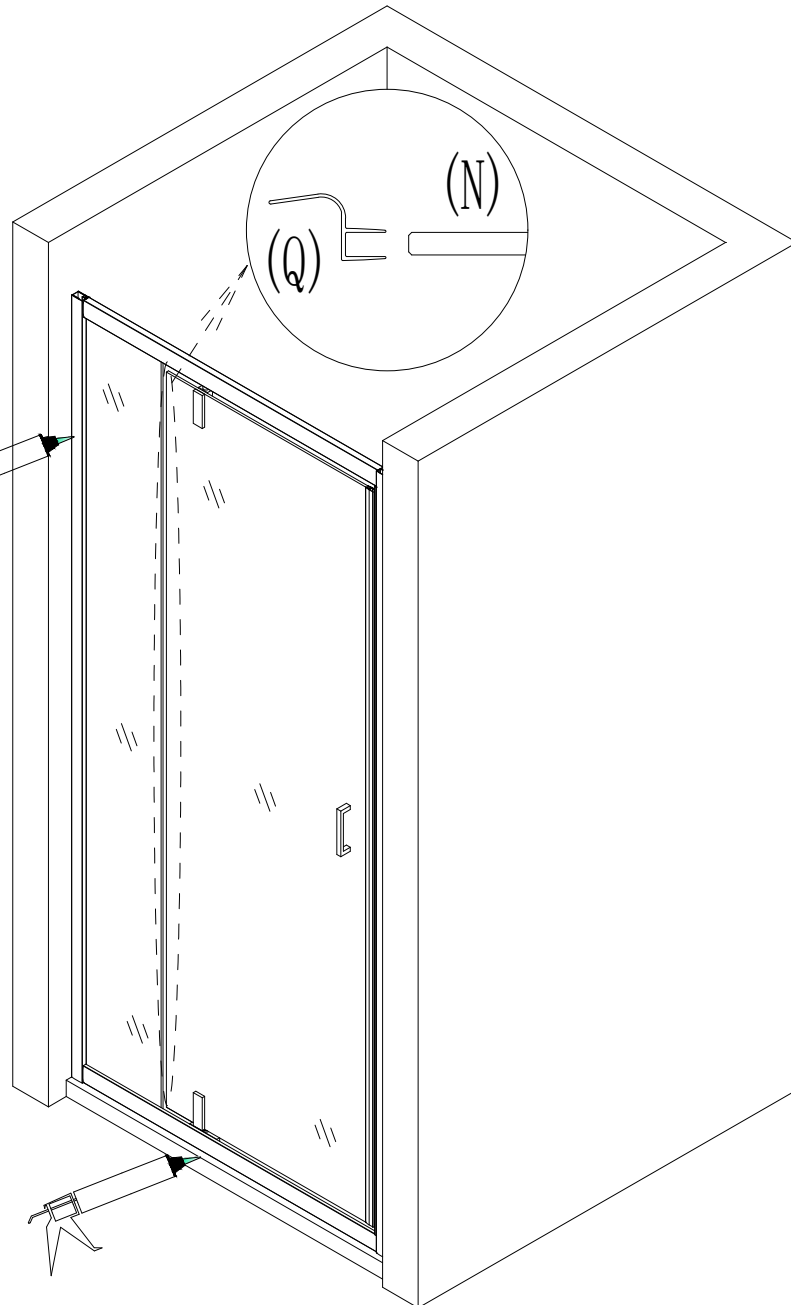
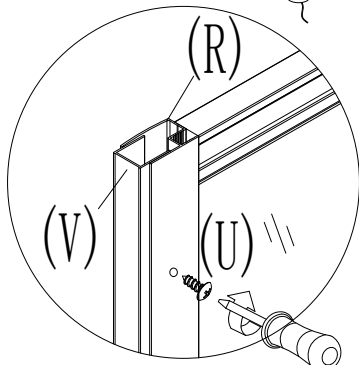
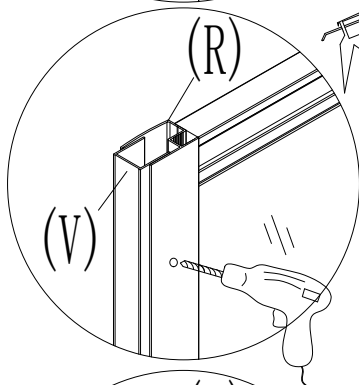
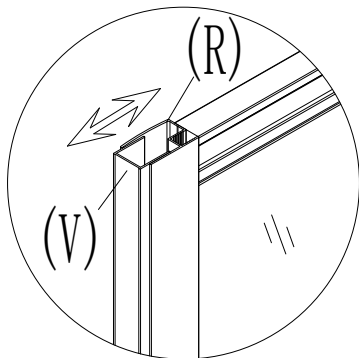
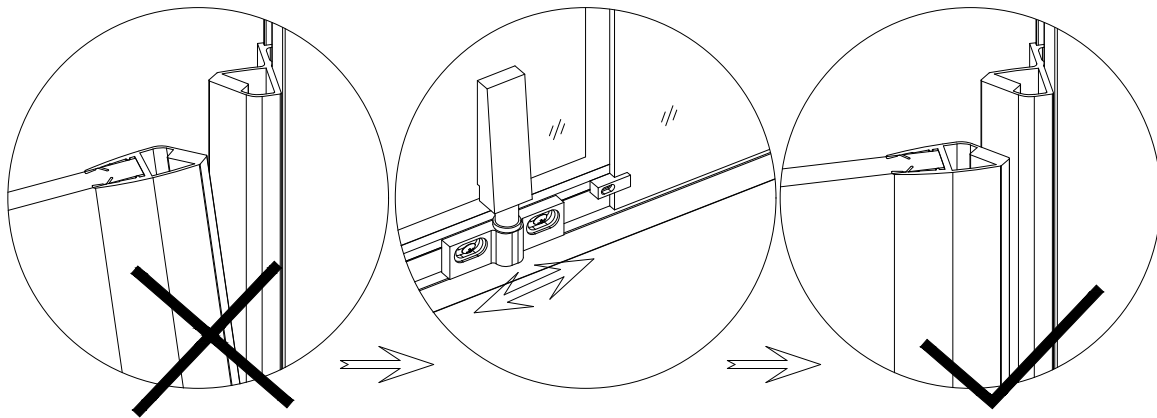
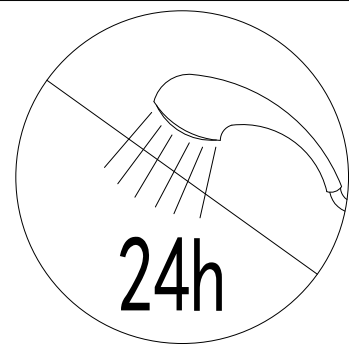
Ø6, Ø2.8

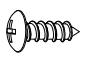












B-1	 ST4X10	3
-----	--	---

B-2		3
-----	--	---

B-3		1
-----	--	---

