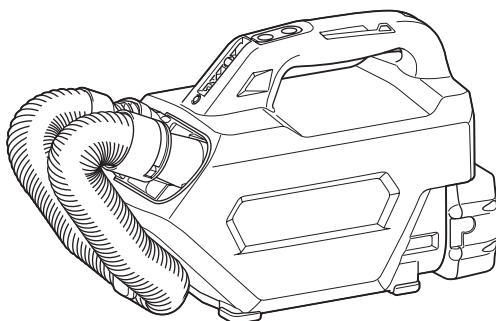




<b>EN</b>	Cordless Cleaner	INSTRUCTION MANUAL	8
<b>SL</b>	Brezžični čistilnik	NAVODILA ZA UPORABO	15
<b>SQ</b>	Pastruesi me bateri	MANUALI I PËRDORIMIT	22
<b>BG</b>	Акумулаторна прахосмукачка	РЪКОВОДСТВО ЗА ЕКСПЛОАТАЦИЯ	30
<b>HR</b>	Bežični usisavač	PRIRUČNIK S UPUTAMA	39
<b>MK</b>	Безжична правосмукалка	УПАТСТВО ЗА УПОТРЕБА	46
<b>SR</b>	Бежични чистач	УПУТСТВО ЗА УПОТРЕБУ	54
<b>RO</b>	Aspirator cu acumulator	MANUAL DE INSTRUCȚIUNI	62
<b>UK</b>	Бездротовий пилосос	ІНСТРУКЦІЯ З ЕКСПЛУАТАЦІЇ	70
<b>RU</b>	Аккумуляторный пылесос	РУКОВОДСТВО ПО ЭКСПЛУАТАЦИИ	79

## DCL184



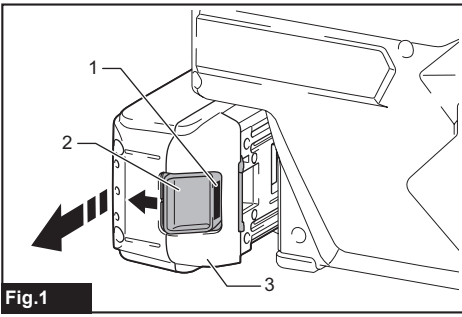


Fig.1

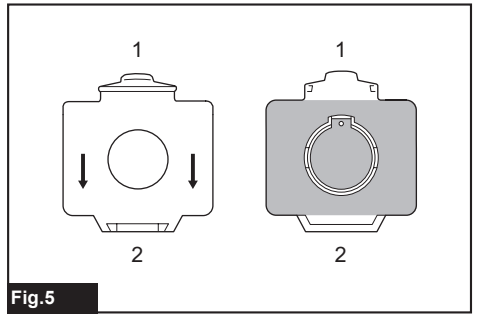


Fig.5

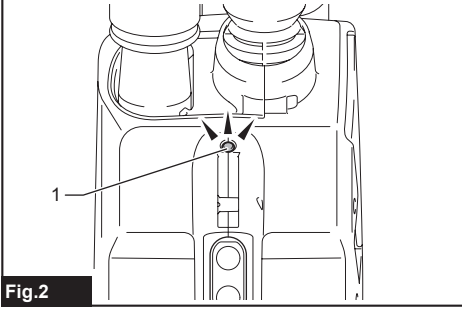


Fig.2

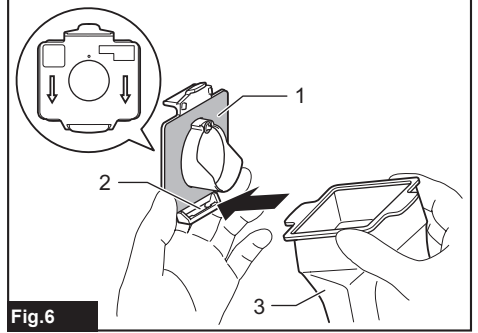


Fig.6

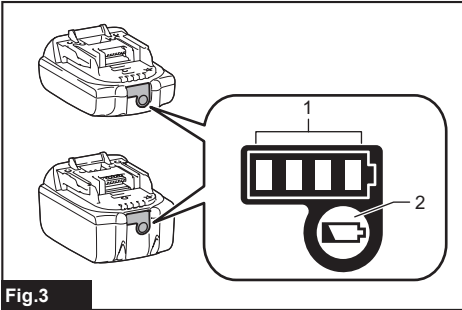


Fig.3

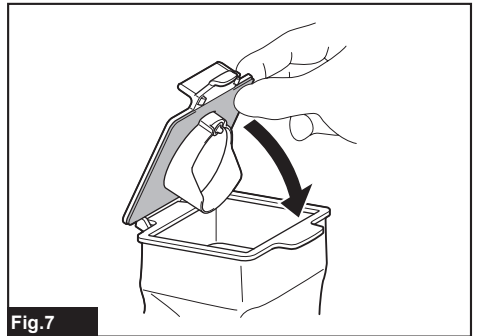


Fig.7

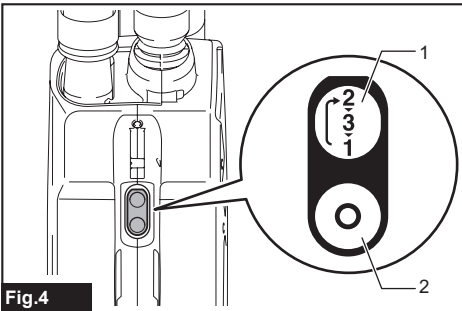


Fig.4

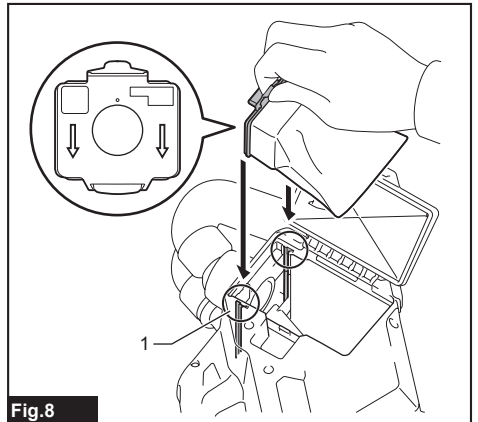


Fig.8

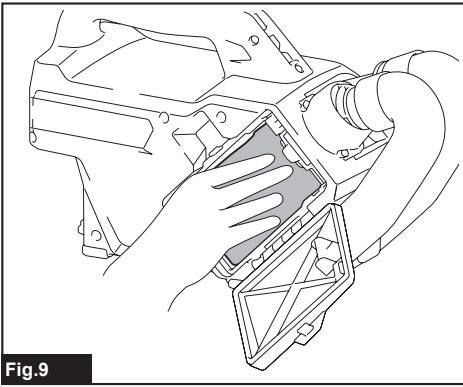


Fig.9

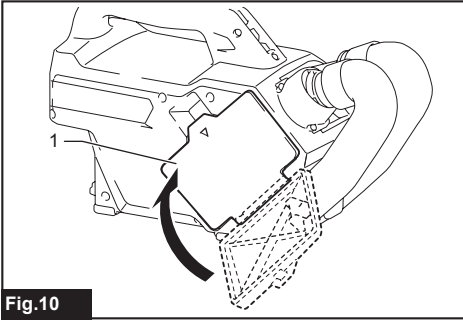


Fig.10

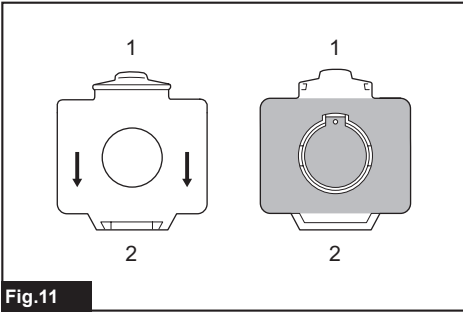


Fig.11

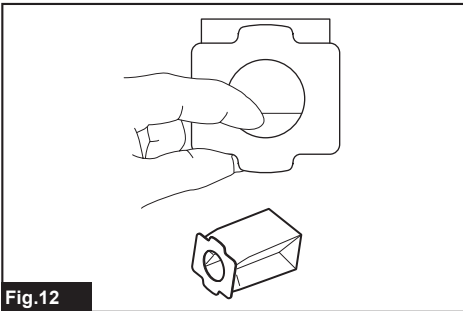


Fig.12

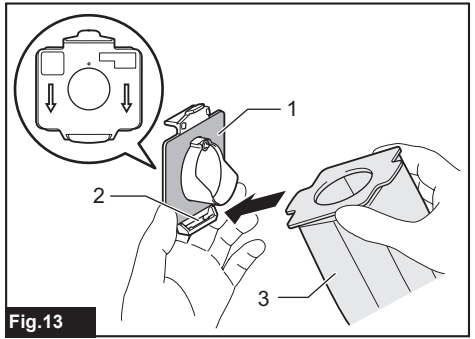


Fig.13

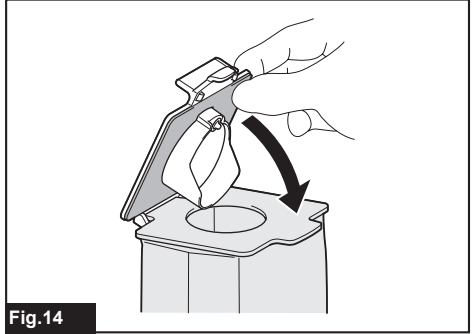


Fig.14

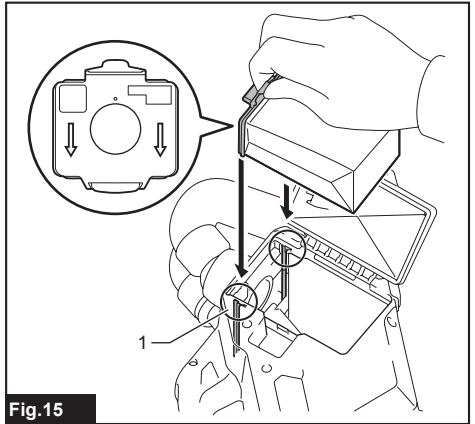


Fig.15

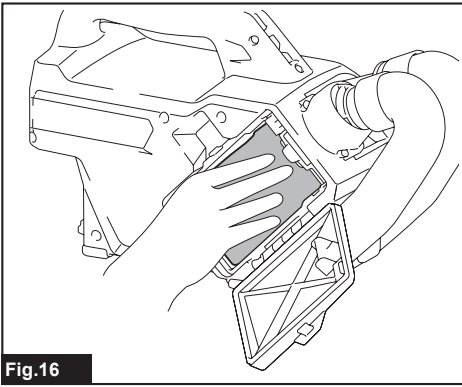


Fig.16

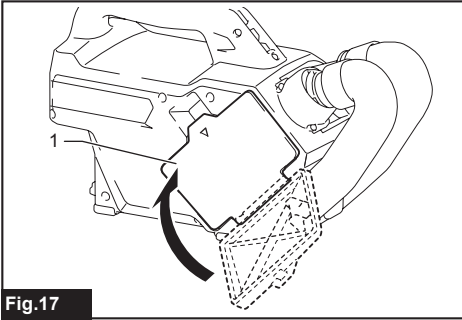


Fig.17

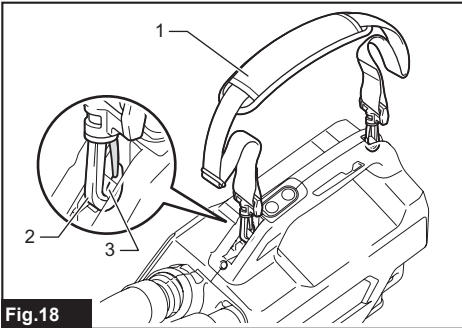


Fig.18

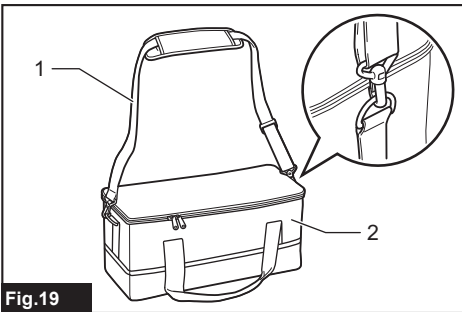


Fig.19

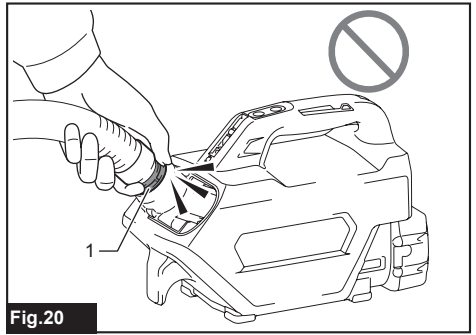


Fig.20

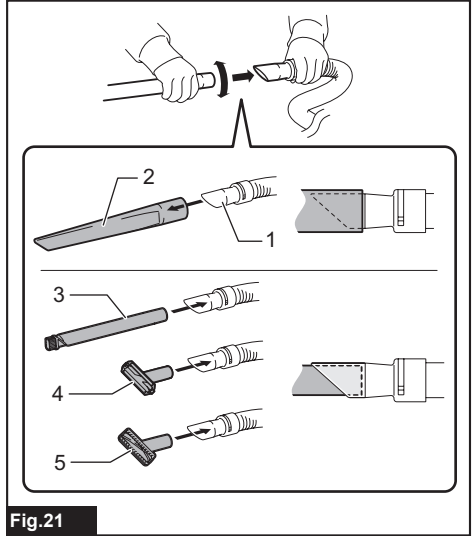


Fig.21

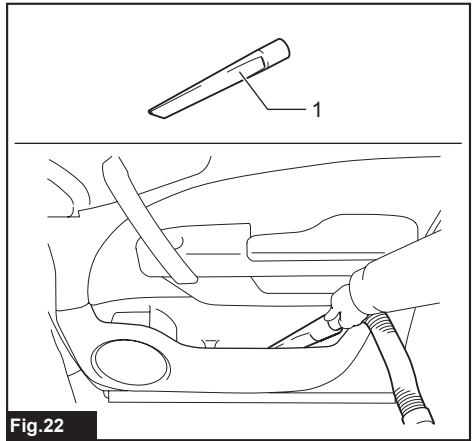


Fig.22



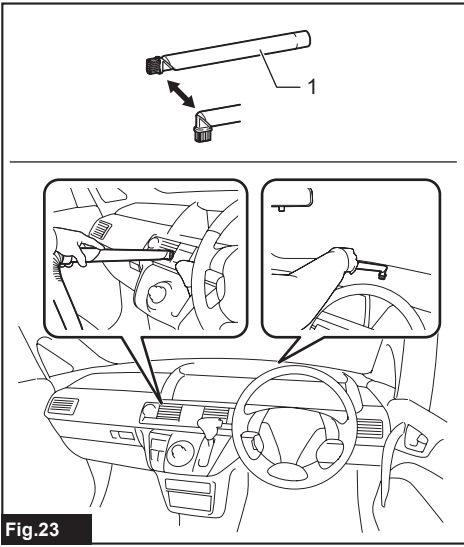


Fig. 23

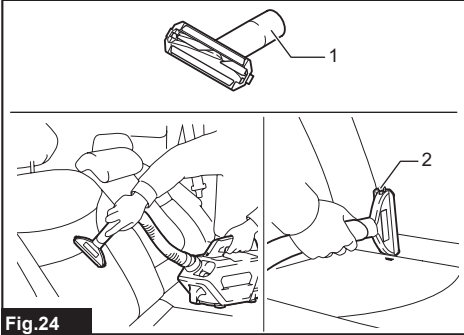


Fig. 24

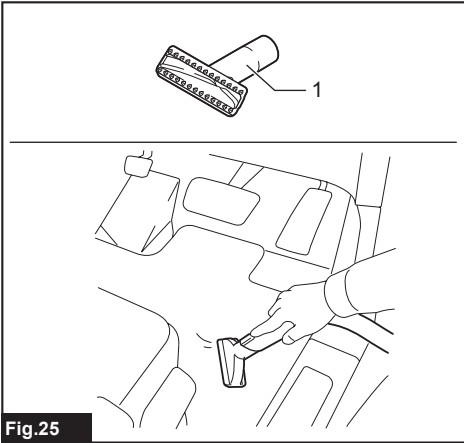


Fig. 25

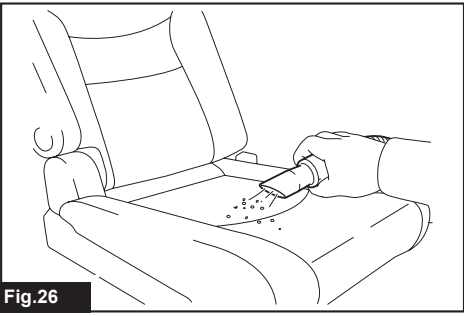


Fig. 26

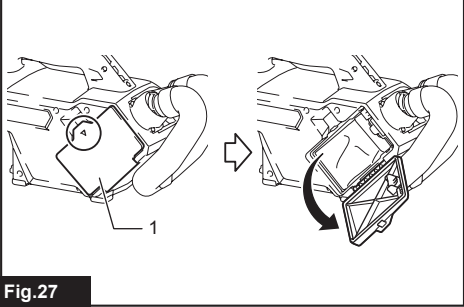


Fig. 27

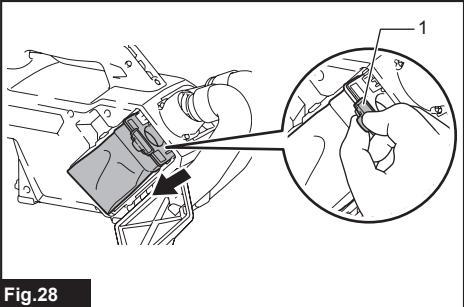


Fig. 28

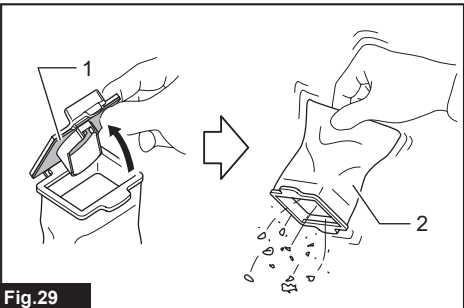


Fig. 29

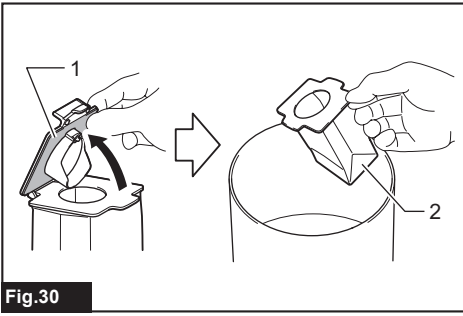


Fig.30

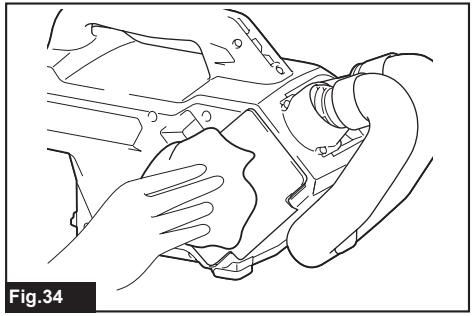


Fig.34

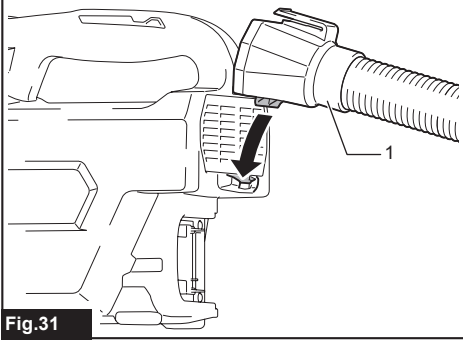


Fig.31

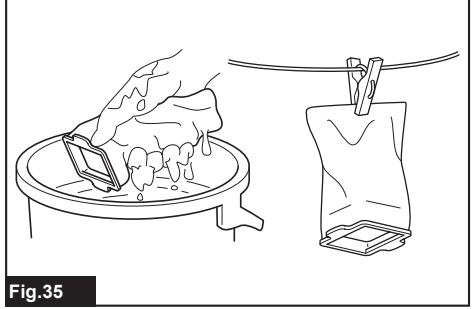


Fig.35

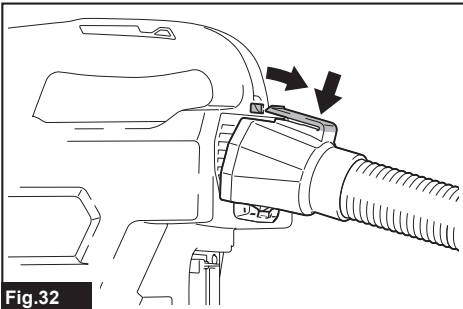


Fig.32

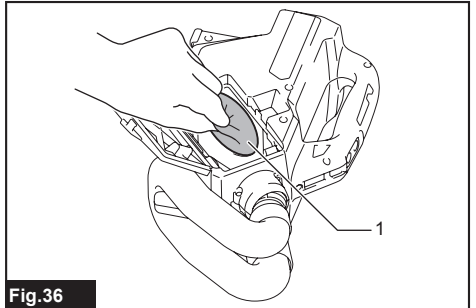


Fig.36

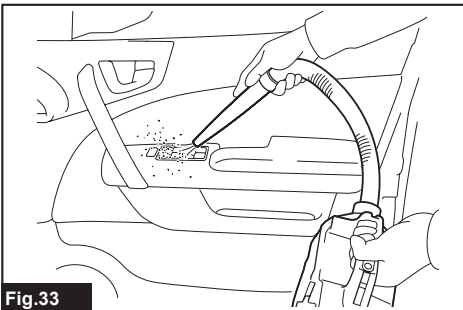


Fig.33

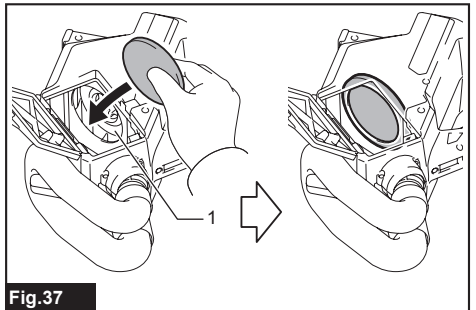
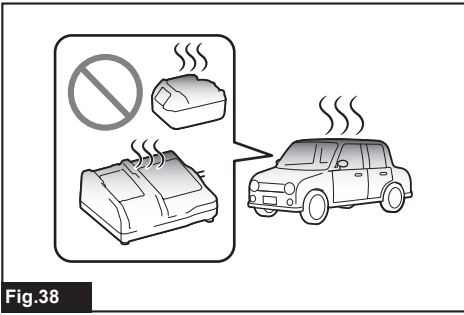
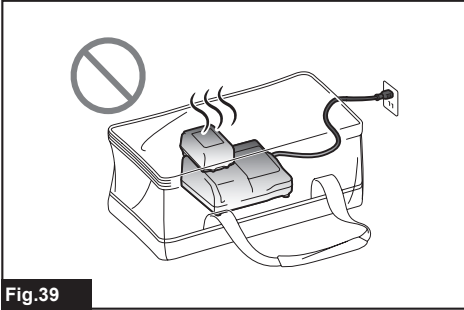


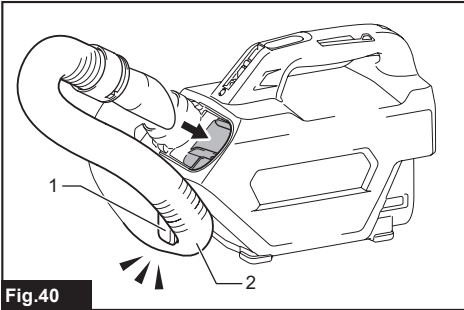
Fig.37



**Fig.38**



**Fig.39**



**Fig.40**

## WARNING

This appliance can be used by children aged from 8 years and above and persons with reduced physical, sensory or mental capabilities or lack of experience and knowledge if they have been given supervision or instruction concerning use of the appliance in a safe way and understand the hazards involved. Children shall not play with the appliance. Cleaning and user maintenance shall not be made by children without supervision.

## SPECIFICATIONS

Model:		DCL184
Capacity	with a dust bag	500 mL
	with a paper filter	330 mL
Continuous use (with battery BL1830B)	1 (Normal speed mode)	Approx. 80 min
	2 (High speed mode)	Approx. 30 min
	3 (Max speed mode)	Approx. 20 min
Overall length (with battery BL1830B)		365 mm
Rated voltage		D.C. 18 V
Net weight		1.8 - 2.2 Kg

- Due to our continuing program of research and development, the specifications herein are subject to change without notice.
- Specifications may differ from country to country.
- The weight does not include accessories but battery cartridge(s). The lightest and heaviest combination weight of the appliance and battery cartridge(s) are shown in the table.

### Applicable battery cartridge and charger

Battery cartridge	BL1815N / BL1820 / BL1820B / BL1830 / BL1830B / BL1840 / BL1840B / BL1850 / BL1850B / BL1860B
Charger	DC18RC / DC18RD / DC18RE / DC18SD / DC18SE / DC18SF / DC18SH

- Some of the battery cartridges and chargers listed above may not be available depending on your region of residence.

**⚠ WARNING: Only use the battery cartridges and chargers listed above.** Use of any other battery cartridges and chargers may cause injury and/or fire.

### Symbols

The followings show the symbols which may be used for the equipment. Be sure that you understand their meaning before use.



Read instruction manual.



Only for EU countries  
Do not dispose of electric equipment or battery pack together with household waste material! In observance of the European Directives, on Waste Electric and Electronic Equipment and Batteries and Accumulators and Waste Batteries and Accumulators and their implementation in accordance with national laws, electric equipment and batteries and battery pack(s) that have reached the end of their life must be collected separately and returned to an environmentally compatible recycling facility.

### Intended use

The tool is intended for collecting dry dust.

# SAFETY WARNINGS

## Cordless cleaner safety warnings

**⚠ WARNING: IMPORTANT! READ CAREFULLY** all safety warnings and all instructions **BEFORE USE**. Failure to follow the warnings and instructions may result in electric shock, fire and/or serious injury.

1. Do not expose to rain. Store indoors.
2. Do not allow to be used as a toy. Close attention is necessary when used by or near children.
3. Use only as described in this manual. Use only manufacturer's recommended attachments.
4. Do not use with damaged battery. If appliance is not working as it should, has been dropped, damaged, left outdoors, or dropped into water, return it to a service center.
5. Do not handle appliance with wet hands.
6. Do not put any object into openings. Do not use with any opening blocked; keep free of dust, lint, hair, and anything that may reduce air flow.
7. Keep hair, loose clothing, fingers, and all parts of body away from openings and moving parts.
8. Turn off all controls before removing the battery.
9. Use extra care when cleaning on stairs.
10. Do not use to pick up flammable or combustible liquids, such as gasoline, or use in areas where they may be present.
11. Use only the charger supplied by the manufacturer to recharge.
12. Do not pick up anything that is burning or smoking, such as cigarettes, matches, or hot ashes.
13. Do not use without dust bag and/or filters in place.
14. Do not charge the battery outdoors.
15. Recharge only with the charger specified by the manufacturer. A charger that is suitable for one type of battery pack may create a risk of fire when used with another battery pack.
16. Use power tools only with specifically designated battery packs. Use of any other battery packs may create a risk of injury and fire.
17. When (the) battery pack is not in use, keep it away from other metal objects, like paper clips, coins, keys, nails, screws or other small metal objects, that can make a connection from one terminal to another.
18. Under abusive conditions, liquid may be ejected from the battery; avoid contact. If contact accidentally occurs, flush with water.
19. Do not use a battery pack or tool that is damaged or modified. Damaged or modified batteries may exhibit unpredictable behaviour resulting in fire, explosion or risk of injury.
20. Do not expose a battery pack or tool to fire or excessive temperature. Exposure to fire or temperature above 130 °C may cause explosion.

21. Follow all charging instructions and do not charge the battery pack or tool outside the temperature range specified in the instructions. Charging improperly or at temperatures outside the specified range may damage the battery and increase the risk of fire.

## SAVE THESE INSTRUCTIONS.

### ADDITIONAL SAFETY RULES

This appliance is intended for household use.

1. Read this instruction manual and the charger instruction manual carefully before use.
2. Do not pick up the following materials:
  - Hot materials such as lit cigarettes or spark/metal dust generated by grinding/cutting metal
  - Flammable materials such as gasoline, thinner, benzene, kerosene or paint
  - Explosive materials like nitroglycerin
  - Ignitable materials such as Aluminum, zinc, magnesium, titanium, phosphorus or celluloid
  - Wet dirt, water, oil or the like
  - Hard pieces with sharp edges, such as wood chips, metals, stones, glasses, nails, pins or razors
  - Powder to clot such as cement or toner
  - Conductive dust such as metal or carbon
  - Fine particle like concrete dustSuch action may cause fire, injury and/or property damage.
3. Stop operation immediately if you notice anything abnormal.
4. If you drop or strike the cleaner, check it carefully for cracks or damage before operation.
5. Do not bring close to stoves or other heat sources.
6. Do not block the intake hole or vent holes.

## SAVE THESE INSTRUCTIONS.

### Important safety instructions for battery cartridge

1. Before using battery cartridge, read all instructions and cautionary markings on (1) battery charger, (2) battery, and (3) product using battery.
2. Do not disassemble or tamper the battery cartridge. It may result in a fire, excessive heat, or explosion.
3. If operating time has become excessively shorter, stop operating immediately. It may result in a risk of overheating, possible burns and even an explosion.
4. If electrolyte gets into your eyes, rinse them out with clear water and seek medical attention right away. It may result in loss of your eyesight.
5. Do not short the battery cartridge:
  - (1) Do not touch the terminals with any conductive material.

(2) **Avoid storing battery cartridge in a container with other metal objects such as nails, coins, etc.**

(3) **Do not expose battery cartridge to water or rain.**

A battery short can cause a large current flow, overheating, possible burns and even a breakdown.

6. **Do not store and use the tool and battery cartridge in locations where the temperature may reach or exceed 50 °C (122 °F).**
7. **Do not incinerate the battery cartridge even if it is severely damaged or is completely worn out. The battery cartridge can explode in a fire.**
8. **Do not nail, cut, crush, throw, drop the battery cartridge, or hit against a hard object to the battery cartridge.** Such conduct may result in a fire, excessive heat, or explosion.
9. **Do not use a damaged battery.**
10. **The contained lithium-ion batteries are subject to the Dangerous Goods Legislation requirements.** For commercial transports e.g. by third parties, forwarding agents, special requirement on packaging and labeling must be observed. For preparation of the item being shipped, consulting an expert for hazardous material is required. Please also observe possibly more detailed national regulations. Tape or mask off open contacts and pack up the battery in such a manner that it cannot move around in the packaging.
11. **When disposing the battery cartridge, remove it from the tool and dispose of it in a safe place. Follow your local regulations relating to disposal of battery.**
12. **Use the batteries only with the products specified by Makita.** Installing the batteries to non-compliant products may result in a fire, excessive heat, explosion, or leak of electrolyte.
13. **If the tool is not used for a long period of time, the battery must be removed from the tool.**
14. **During and after use, the battery cartridge may take on heat which can cause burns or low temperature burns. Pay attention to the handling of hot battery cartridges.**
15. **Do not touch the terminal of the tool immediately after use as it may get hot enough to cause burns.**
16. **Do not allow chips, dust, or soil stuck into the terminals, holes, and grooves of the battery cartridge.** It may result in poor performance or breakdown of the tool or battery cartridge.
17. **Unless the tool supports the use near high-voltage electrical power lines, do not use the battery cartridge near high-voltage electrical power lines.** It may result in a malfunction or breakdown of the tool or battery cartridge.
18. **Keep the battery away from children.**

## SAVE THESE INSTRUCTIONS.

**CAUTION:** Only use genuine Makita batteries. Use of non-genuine Makita batteries, or batteries that have been altered, may result in the battery bursting causing fires, personal injury and damage. It will also void the Makita warranty for the Makita tool and charger.

## Tips for maintaining maximum battery life

1. **Charge the battery cartridge before completely discharged. Always stop tool operation and charge the battery cartridge when you notice less tool power.**
2. **Never recharge a fully charged battery cartridge. Overcharging shortens the battery service life.**
3. **Charge the battery cartridge with room temperature at 10 °C - 40 °C (50 °F - 104 °F). Let a hot battery cartridge cool down before charging it.**
4. **When not using the battery cartridge, remove it from the tool or the charger.**
5. **Charge the battery cartridge if you do not use it for a long period (more than six months).**

## FUNCTIONAL DESCRIPTION

**CAUTION:** Always be sure that the tool is switched off and the battery cartridge is removed before adjusting or checking function on the tool.

**CAUTION:** Take care not to trap finger(s) between cleaner and battery when loading battery. Trapping finger(s) may cause injury.

## Installing or removing battery cartridge

**CAUTION:** Always switch off the tool before installing or removing of the battery cartridge.

**CAUTION:** Hold the tool and the battery cartridge firmly when installing or removing battery cartridge. Failure to hold the tool and the battery cartridge firmly may cause them to slip off your hands and result in damage to the tool and battery cartridge and a personal injury.

► Fig.1: 1. Red indicator 2. Button 3. Battery cartridge

To remove the battery cartridge, slide it from the tool while sliding the button on the front of the cartridge.

To install the battery cartridge, align the tongue on the battery cartridge with the groove in the housing and slip it into place. Insert it all the way until it locks in place with a little click. If you can see the red indicator on the upper side of the button, it is not locked completely.

**CAUTION:** Always install the battery cartridge fully until the red indicator cannot be seen. If not, it may accidentally fall out of the tool, causing injury to you or someone around you.

**CAUTION:** Do not install the battery cartridge forcibly. If the cartridge does not slide in easily, it is not being inserted correctly.

## Tool / battery protection system

The tool is equipped with a tool/battery protection system. This system automatically cuts off power to the motor to extend tool and battery life.

The tool will automatically stop during operation if the tool or battery are placed under one of the following conditions. In some conditions, the indication lamp lights up.

► **Fig.2:** 1. Indication lamp

## Overload protection

When the tool is operated in a manner that causes it to draw an abnormally high current, the tool stops automatically and the indicator lights up for about 60 seconds. In this situation, turn the tool off and stop the application that caused the tool to become overloaded. Then turn the tool on to restart.

## Overheat protection

When the tool/battery is overheated, the tool stops automatically and the battery indicator lights up for about 60 seconds. The tool does not start even if you turn the tool on. In this situation, let the battery cool before turning the tool on again.

## Overdischarge protection

When the remaining battery capacity gets low, the indicator blinks. By further use, the tool stops and the indicator lights up for about 60 seconds. If you turn the tool on, the motor runs again but stops soon. In this situation, charge the battery cartridge.

**NOTE:** The timing, at which the lamp lights up, depends on the temperature at work place and the battery cartridge conditions.

## Indicating the remaining battery capacity

*Only for battery cartridges with the indicator*

► **Fig.3:** 1. Indicator lamps 2. Check button

Press the check button on the battery cartridge to indicate the remaining battery capacity. The indicator lamps light up for a few seconds.

Indicator lamps			Remaining capacity
Lighted	Off	Blinking	
■	□	▬	75% to 100%
■ ■ ■ ■			
■ ■ ■ □			50% to 75%
■ ■ □ □			25% to 50%
■ □ □ □			0% to 25%
▬ □ □ □			Charge the battery.
■ ■ □ □			The battery may have malfunctioned.
□ □ ■ ■			

**NOTE:** Depending on the conditions of use and the ambient temperature, the indication may differ slightly from the actual capacity.

## Switch action

► **Fig.4:** 1. ON/speed change button 2. OFF button

To start the cleaner, simply push the ON/speed change button. To switch off, push the OFF button.

You can change the cleaner speed in three steps by pushing the ON/speed change button.

The first push on this button is for high speed mode, the second push for max speed mode and the third push for normal speed mode. Each push on this button repeats the high/max/normal speed cycle alternatively.

## ASSEMBLY

**CAUTION:** Always be sure that the tool is switched off and the battery cartridge is removed before carrying out any work on the tool.

## Dust bag and paper filter

Install either dust bag or paper filter before using cleaner.

Use the dust stopper when installing either dust bag or paper filter.

Dust bag are usable many times repeatedly by cleaning it out.

Paper filter is a throw-away type. Throw away the entire paper filter without emptying when it has become full.

**NOTICE:** To prevent dust from getting into the motor:

- Make sure that the dust bag or paper filter is installed before use.
- Insert the dust stopper together with the dust bag or paper filter all the way into the slots when installing them.
- Do not use a broken or ripped bag.

Otherwise the motor may be broken.

**NOTICE:** Do not fold the cardboard at its opening when installing the paper filter.

**NOTICE:** Never throw away the dust stopper because it needs to be used repeatedly whenever either the dust bag or the paper filter is used.

**NOTICE:** The paper filter for the cleaner is an important component for maintaining the tool performance. Using other than the genuine paper filter may cause smokes or ignition.

## Installing dust bag

Use the dust stopper when installing dust bag. Be careful not to take the upper side for the lower side by mistake because they are different each other.

► **Fig.5:** 1. Upper side of the dust stopper 2. Lower side of the dust stopper

1. Insert the protrusion of the dust bag into the groove on the dust stopper as shown in the figure.

The dust bag does not have distinction between the upper and lower sides. You can insert its protrusion of either side into the groove of the dust stopper.

► **Fig.6:** 1. Dust stopper 2. Groove 3. Dust bag

2. Overlap the frame of dust stopper with that of the dust bag.

► **Fig.7**

3. Place the dust stopper and the dust bag together into the cleaner cavity in the same direction of arrow on the dust stopper. Insert them all the way into the slots in the cleaner cavity.

► **Fig.8:** 1. Slot

4. Place the entire cloth part of the dust bag inside the cleaner itself.

► **Fig.9**

5. Close the dust case cover completely.

► **Fig.10:** 1. Dust case cover

**NOTE:** When the dust bag is not installed in the cleaner, the dust case cover does not close completely.

## Installing the paper filter

Use the dust stopper also when installing paper filter. Be careful not to take the upper side for the lower side by mistake because they are different each other.

► **Fig.11:** 1. Upper side of the dust stopper 2. Lower side of the dust stopper

1. Unfold the entrance of the paper filter before setting it on the dust stopper.

► **Fig.12**

2. Insert the protrusion of the paper filter into the groove on the dust stopper as shown in the figure.

The paper filter does not have distinction between the upper and lower sides. You can insert its protrusion of either side into the groove of the dust stopper.

► **Fig.13:** 1. Dust stopper 2. Groove 3. Paper filter

3. Overlap the frame of dust stopper with that of the paper filter.

► **Fig.14**

4. Place the dust stopper and the paper filter together into the cleaner cavity in the same direction of arrow on the dust stopper. Insert them all the way into the slots in the cleaner cavity.

► **Fig.15:** 1. Slot

5. Place the entire container part of the paper filter inside the tool itself.

► **Fig.16**

6. Close the dust case cover completely.

► **Fig.17:** 1. Dust case cover

**NOTE:** When the paper filter is not installed in the cleaner, the dust case cover does not close completely.

## Installing the shoulder strap

**CAUTION:** Be careful not to get the shoulder strap caught by objects in your surroundings.

**CAUTION:** Be careful not to slip the shoulder strap off from your shoulder when using the cleaner. For stable handling of the cleaner, it is recommended to wear the shoulder strap crossed in front of your chest.

Attach the hooks of the shoulder strap onto the mounts of the cleaner as shown in the figure.

► **Fig.18:** 1. Shoulder strap 2. Hook 3. Mount

**NOTE:** You can also attach the shoulder strap to the soft bag (optional accessory) as illustrated.

► **Fig.19:** 1. Shoulder strap 2. Soft bag

## OPERATION

**CAUTION:** Always hold the handle when carrying the cleaner. If you hold the attachment part to carry, it may come off from the cleaner and result in personal injury.

**CAUTION:** Do not use the appliance while driving a car or the engine is running.

**CAUTION:** Do not grasp the hose joint as shown in the figure. Holding the hose joint may get your finger pinched.

► **Fig.20:** 1. Hose joint

## Using as a vacuum cleaner

**NOTE:** Remove the blower attachment before vacuum cleaning. If the blower attachment is attached to the cleaner, the suction power will be reduced.

## Installing or removing the cleaner attachment

To connect an attachment such as a nozzle, twist and insert it securely to the hose. To disconnect, twist and remove it.

The way of installation varies depending on the nozzles as illustrated.

► **Fig.21:** 1. Hose 2. Rubber nozzle 3. Soft brush  
4. Seat nozzle 5. Mat nozzle

## Vacuum cleaning

### Rubber nozzle

This nozzle is convenient for cleaning bottom corners such as a door pocket. The rubber nozzle is gentle to the cleaning surface.

► **Fig.22:** 1. Rubber nozzle



## Soft brush

This nozzle is convenient for cleaning the air conditioner vents, dashboard, etc. The head of the soft brush can be turned to right angle.

► **Fig.23:** 1. Soft brush

## Seat nozzle

This nozzle has lint brush to clean the seat surface. The side brush on the nozzle is useful for raking dust out of the seams.

► **Fig.24:** 1. Seat nozzle 2. Side brush

## Mat nozzle

This nozzle is used for cleaning the floor mat and carpet. The teeth on the nozzle help raking out sand grains.

► **Fig.25:** 1. Mat nozzle

**NOTICE:** Always use the mat nozzle for cleaning a mat. Using the mat nozzle for other materials may scratch its surface.

## Cleaning without nozzle

You can perform vacuum cleaning without the nozzle.

► **Fig.26**

## Disposing of dust

**CAUTION:** Empty the dust bag or replace the paper filter before it becomes full. If not, the suction/blowing force weakens.

**CAUTION:** When closing the dust case cover, be careful not to pinch your fingers.

**NOTICE:** Never throw away the dust stopper because it should be used whenever either the dust bag or the paper filter is used.

**NOTICE:** When the dust bag/paper filter is not inside of the cleaner, the dust case cover does not close completely. Do not force to close the dust case cover. It may result in deforming or breakage of the tool.

**NOTICE:** When disposing of dust, also clean the room for the dust bag/paper filter. The remaining dust and dirt in the room may cause the sponge filter to be clogged or the motor to be damaged.

1. Open the dust case cover.

► **Fig.27:** 1. Dust case cover

2. Pull out both the orange-colored dust stopper and dust bag/paper filter together at the same time.

► **Fig.28:** 1. Dust stopper

3. **When using the dust bag**

Remove the dust stopper and empty the dust bag.

► **Fig.29:** 1. Dust stopper 2. Dust bag

**When using the paper filter**

Remove the dust stopper and dispose of the paper filter.

► **Fig.30:** 1. Dust stopper 2. Paper filter

4. Place the dust bag/new paper filter and dust stopper together into the cleaner and close the dust case cover.

## Using as a blower

**CAUTION:** Never point the nozzle at anyone in the vicinity.

**CAUTION:** To prevent inhaling dust, it is recommended to open the windows, and also wear protective goggles and mask while operating.

**CAUTION:** Do not pull the blower attachment. It may come off from the cleaner.

**CAUTION:** Do not use the cleaner for blowing air into objects, like rubber rafting, balls or other inflatable products. Increased motor revolution may cause dangerous fan breakage.

**CAUTION:** Never block suction inlet and/or blower outlet. Be careful not to block suction inlet or blower outlet with dust or dirt when operating in dusty area.

**CAUTION:** Do not use nozzles other than the nozzles provided by Makita.

## Installing or removing the blower attachment

To attach the blower attachment, align the protrusion of the blower attachment port with the groove on the vent, and then push it until clicks.

► **Fig.31:** 1. Blower attachment

To remove the blower attachment, pull the port downward while pressing its top as illustrated.

► **Fig.32**

## Blowing

Point the tip of blower attachment to the object to blow off and then turn on the tool.

► **Fig.33**

## MAINTENANCE

**CAUTION:** Always be sure that the tool is switched off and the battery cartridge is removed before attempting to perform inspection or maintenance.

**NOTICE:** Never use gasoline, benzine, thinner, alcohol or the like. Discoloration, deformation or cracks may result.

To maintain product SAFETY and RELIABILITY, repairs, any other maintenance or adjustment should be performed by Makita Authorized or Factory Service Centers, always using Makita replacement parts.

## Cleaning

From time to time wipe off the outside (cleaner body) of the cleaner using a cloth dampened in soapy water. Clean out also the suction opening, dust bag/paper filter mounting area and the dust stopper.

► Fig.34

Wash the dust bag in soapy water when it is clogged with dust and the cleaner power becomes weak. Dry it out thoroughly before use. An insufficiently dried filter may cause poor suction and shorten the service life of the motor.

► Fig.35

**NOTE:** Paper filter is a throw-away type.

When the sponge filter is clogged with dust, remove it from the cleaner and then wipe it off or wash in water.

## Removing and installing the sponge filter

**CAUTION:** After cleaning sponge filter, be sure to install it on the cleaner. If washed in water, dry it up before installing. An insufficiently dried sponge filter may shorten the service life of the motor.

To remove the sponge filter, remove the dust bag or paper filter and then pinch and take it out.

► Fig.36: 1. Sponge filter

Press in the whole edge of the sponge filter against the recessed wall inside the dust bag/paper filter mounting area.

► Fig.37: 1. Recessed wall

## Storage

**WARNING:** Never leave the battery cartridge and charger in a car. The temperature inside a car sitting in the sun may exceed 50 °C (122 °F). It may cause the battery cartridge deteriorated and result in liquid ejection, smoke emission or a fire.

► Fig.38

**WARNING:** Never use the charger while storing it in the storage bag. Blocking the air vent may result in smoking emission or a fire.

► Fig.39

**WARNING:** Never charge the battery cartridge with on-vehicle inverter. It may cause abnormal heat and result in a fire.

**WARNING:** Never charge the battery cartridge in a car. If the battery cartridge is exposed to the temperature range out of 10°C (50 °F) - 40°C (104 °F), it may generate heat and/or fire or explode.

**CAUTION:** Always store the hose as illustrated to avoid tripping, when the cleaner is not used. Unfolded hose may catch your foot and cause personal injury.

► Fig.40: 1. Hook 2. Hose

## Troubleshooting

Before asking for repairs, check the following points.

Symptom	Area to be investigated	Fixing method
Weak suction power	Is dust bag or paper filter full of dust ?	Empty dust bag or paper filter.
	Is dust bag clogged ?	Dust down or wash the dust bag.
	Is paper filter clogged ?	Replace paper filter.
	Is the battery cartridge exhausted ?	Charge the battery cartridge.
Not working	Is the battery cartridge exhausted ?	Charge the battery cartridge.
Dust case cover does not close	Is dust bag or paper filter set ?	Set dust bag or paper filter.

**NOTICE:** Do not attempt to repair cleaner by yourself.

## OPTIONAL ACCESSORIES

**CAUTION:** These accessories or attachments are recommended for use with your Makita tool specified in this manual. The use of any other accessories or attachments might present a risk of injury to persons. Only use accessory or attachment for its stated purpose.

If you need any assistance for more details regarding these accessories, ask your local Makita Service Center.

- Extension wand (Straight pipe)
- Nozzle
- Nozzle for carpet
- Shelf brush
- Corner nozzle

- Round brush
- Flexible hose
- Paper filter
- Free nozzle
- Seat nozzle
- Crevice nozzle
- Cyclone attachment
- Dust bag
- High performance dust bag
- Soft bag
- Makita genuine battery and charger

**NOTE:** Some items in the list may be included in the tool package as standard accessories. They may differ from country to country.

## OPOZORILO

To napravo lahko na varen način, če razumejo vključena tveganja, uporabljajo otroci, stari 8 let in več ter osebe z zmanjšanimi fizičnimi, čutilnimi ali psihičnimi sposobnostmi, ter s pomanjkanjem izkušenj in znanja, če so pod ustreznim nadzorom ali so prejeli navodila v zvezi z uporabo naprave. Otroci se z napravo ne smejo igrati. Otroci brez nadzora ne smejo izvajati čiščenja in uporabniškega vzdrževanja.

## TEHNIČNI PODATKI

<b>Model:</b>		<b>DCL184</b>
Zmogljivost	z vrečko za prah	500 mL
	s papirnatim filtrom	330 mL
Neprekinjena uporaba (z akumulatorjem BL1830B)	1 (način z običajno hitrostjo)	Pribl. 80 min
	2 (način z visoko hitrostjo)	Pribl. 30 min
	3 (način z največjo hitrostjo)	Pribl. 20 min
Celotna dolžina (z akumulatorjem BL1830B)		365 mm
Nazivna napetost		D.C. 18 V
Neto teža		1,8 – 2,2 kg

- Ker nenehno opravljamo raziskave in razvijamo svoje izdelke, se lahko tehnični podatki v tem dokumentu spremenijo brez obvestila.
- Tehnični podatki se lahko razlikujejo od države do države.
- Teža ne vključuje pripomočkov, vključuje pa akumulatorske baterije. Najlažja in najtežja kombinacija teže naprave in akumulatorskih baterij sta prikazani v tabeli.

## Uporabna akumulatorska baterija in polnilnik

Baterijski vložek	BL1815N / BL1820 / BL1820B / BL1830 / BL1830B / BL1840 / BL1840B / BL1850 / BL1850B / BL1860B
Polnilnik	DC18RC / DC18RD / DC18RE / DC18SD / DC18SE / DC18SF / DC18SH

- Nekatere zgoraj navedene akumulatorske baterije in polnilniki morda v vaši državi prebivališča niso na voljo.

**⚠ OPOZORILO:** Uporabljajte le zgoraj navedene akumulatorske baterije in polnilnike. Uporaba drugih akumulatorskih baterij in polnilnikov lahko povzroči telesne poškodbe in/ali požar.

## Simboli

Naslednji simboli se lahko uporabljajo v povezavi s strojem. Pred uporabo izdelka se obvezno seznanite z njihovim pomenom.



Preberite navodila za uporabo.



Samo za države EU  
Električnega orodja in akumulatorske baterije ne odlagajte skupaj z gospodinjstvi odpadki! V skladu z evropskimi direktivami o odpadni električni in elektronski opremi, baterijah in akumulatorjih, odpadnih baterijah in akumulatorjih ter upoštevanjem njihovih določil v skladu z državno zakonodajo je treba električno opremo, baterije in akumulatorje, katerih življenjska doba je pretekla, zbirati ločeno in jih dostaviti v ustrezen obrat za recikliranje, ki deluje skladno z okoljevarstvenimi zahtevami.

## Predvidena uporaba

Orodje je namenjeno za zbiranje suhega prahu.

# VARNOSTNA OPOZORILA

## Varnostna opozorila za brezžični čistilnik

**⚠ OPOZORILO: POMEMBNO! POZORNO PREBERITE** vsa varnostna opozorila in navodila pred uporabo. Zaradi neupoštevanja opozoril in navodil lahko pride do električnega šoka, požara in/ali hudih teleskih poškodb.

1. Ne izpostavljajte dežju. Hranite v notranjih prostorih.
2. Ne dovolite igranja z napravo. Potrebna je posebna pozornost, kadar napravo uporabljajo otroci ali se uporablja v njihovi bližini.
3. Uporabljajte le v skladu z opisi v tem priročniku. Uporabljajte le priključke, ki jih priporoča proizvajalec.
4. Ne uporabljajte naprave s poškodovanim akumulatorjem. Če naprava ne deluje, kot bi morala, je padla, je poškodovana, pozabljena na prostem ali je padla v vodo, jo odnesite v servis.
5. Ne rokujte z napravo z mokrimi rokami.
6. Ne vstavljajte predmetov v odprtine. Ne uporabljajte z zamaženimi odprtinami; odstranite prah, vlakna, lase in vse, kar bi lahko zmanjšalo pretok zraka.
7. Las, ohlapnih oblačil, prstov in nobenih delov telesa ne približujte odprtinam in premikajočim se delom.
8. Preden odstranite akumulator, izklopite vse upravljalne elemente.
9. Med čiščenjem na stopnicah bodite izjemno previdni.
10. Ne uporabljajte za pobiranje vnetljivih ali gorljivih tekočin, kot je bencin, in ne uporabljajte v območjih, kjer so lahko prisotne.
11. Za polnjenje uporabljajte samo polnilnik, ki ga dobavlja proizvajalec.
12. Ne pobirajte ničesar, kar gori ali iz česar se vije dim, kot so cigarete, vžigalice ali vroč pepel.
13. Ne uporabljajte brez vrečke za prah in/ali nameščenih filtrov.
14. Akumulatorja ne polnite na prostem.
15. Orodje polnite samo s polnilnikom, ki ga je določil proizvajalec. Polnilnik, ki je primeren za eno vrsto akumulatorskega sklopa, lahko pomeni nevarnost požara, če ga uporabljate z drugim akumulatorskim sklopom.
16. Električno orodje uporabljajte le s posebej označenimi akumulatorskimi sklopi. Uporaba drugih akumulatorskih sklopov lahko povzroči nevarnost telesnih poškodb in požara.
17. Ko akumulatorskega sklopa ne uporabljate, ga ne hranite ob kovinskih predmetih, kot so sponke za papir, kovanci, ključi, žebliji, vijaki ali drugi manjši kovinski predmeti, ki lahko povežejo oba terminala.
18. V neprimernih pogojih lahko iz akumulatorja uhaja tekočina; izogibajte se stiku. Če pride do nenamerne stika, sperite z vodo.
19. Ne uporabljajte akumulatorskega sklopa ali orodja, ki je poškodovano ali spremenjeno. Delovanje poškodovanih ali spremenjenih akumulatorjev je nepredvidljivo in lahko povzroči požar, eksplozijo ali telesne poškodbe.
20. Akumulatorskega sklopa in orodja ne izpostavljajte ognju ali previsoki temperaturi. Izpostavljenost ognju ali temperaturam nad 130 °C lahko povzroči eksplozijo.

21. Upošteвайте vsa navodila glede polnjenja in akumulatorskih baterij ali orodja ne polnite zunaj določenega temperaturnega obsega. Nepravilno polnjenje ali polnjenje pri temperaturah, ki so zunaj določenega obsega, lahko poškoduje akumulator in poveča nevarnost požara.

## SHRANITE TA NAVODILA.

## DODATNA VARNOSTNA PRAVILA

Ta naprava je namenjena le za domačo uporabo.

1. Pred uporabo pazno preberite ta navodila za uporabo in navodila za uporabo polnilnika.
2. Ne pobirajte naslednjih materialov:
  - vročega materiala, kot so prižgane cigarete ali iskre/kovinski prah, ki nastane zaradi brušenja/rezanja kovin
  - vnetljivih materialov, kot je bencin, razredčilo, kerolin ali barva
  - eksplozivnih materialov, npr. nitroglicerina
  - vnetljivih materialov, kot je aluminij, cink, magnezij, titan, fosfor ali celuloza
  - mokre zemlje, vode olja ipd.
  - trdih predmetov z ostrimi robovi, kot so lesni ostružki, kovine, kamni, steklo, žebliji, bučike ali britvice
  - prahu, ki se strdi, kot je cement ali toner
  - prevodnega prahu, kot je kovina ali ogljik
  - finih delcev, kot je betonski prahTakšna dejanja lahko povzročijo požar, telesne poškodbe in/ali materialno škodo.
3. Če opazite karkoli neobičajnega, takoj prenehajte uporabljati orodje.
4. Če vam čistilnik pade iz rok ali če z njim kam udarite, ga pred uporabo skrbno pregledajte, da preverite, ali je razpokan ali poškodovan.
5. Ne približujte ga pečicam ali drugim virom vročine.
6. Ne zamažite vhodne odprtine ali odprtin za prezračevanje.

## SHRANITE TA NAVODILA.

## Pomembna varnostna navodila za akumulatorsko baterijo

1. Pred uporabo baterijskega vložka preberite vsa navodila in opozorilne oznake na (1) polnilniku akumulatorja, (2) akumulatorju in (3) izdelku, ki uporablja akumulator.
2. Ne razstavljajte ali spreminjajte akumulatorske baterije. S tem lahko povzročite požar, prekomerno vročino ali eksplozijo.
3. Če se je čas delovanja občutno skrajšal, takoj prenehajte uporabljati orodje. V nasprotnem primeru lahko pride do pregretja, morebitnih opeklin in celo eksplozije.
4. Če pride elektrolit v stik z očmi, jih sperite s čisto vodo in takoj poiščite zdravniško pomoč. Posledica je lahko izguba vida.
5. Ne povzročite kratkega stika baterijskega vložka:
  - (1) Ne dotikajte se priključkov s kakršnim koli prevodnim materialom.

- (2) **Izogibajte se shranjevanju baterijskega vložka v vsebniku z drugimi kovinskimi predmeti kot so žebliji, kovanci itn.**
- (3) **Ne izpostavljajte baterijskega vložka vodi ali dežju.**

Kratek stik akumulatorja lahko povzroči velik električni tok, pregrevanje, morebitne opeklino in celo okvaro.

6. **Ne shranjujte in uporabljajte orodja in akumulatorske baterije na mestih, kjer lahko temperatura doseže ali preseže 50 °C (122 °F).**
7. **Ne sežigajte baterijskega vložka, tudi če je hudo poškodovan ali v celoti izpraznjen. Baterijski vložek lahko v ognju eksplodira.**
8. **Ne pribijajte, režite, drobite, mečite, spuščajte akumulatorske baterije oziroma ne udarjajte z akumulatorsko baterijo po trdem predmetu.** Takšno ravnanje lahko povzroči požar, prekomerno vročino ali eksplozijo.
9. **Ne uporabljajte poškodovanih akumulatorjev.**
10. **Priložene litij-ionske baterije ustrezajo zahtevam zakonodaje v zvezi z nevarnim blagom.** Za komercialne prevoze, npr. tiste, ki jih opravljajo tretje stranke in carinski posredniki, je treba upoštevati posebne zahteve v zvezi z embalažo in označevanjem. Med postopkom priprave na odpremo izdelka se je treba posvetovati s strokovnjakom za nevarne snovi. Pri tem upoštevajte tudi podrobnejše nacionalne predpise. Odprte stike oblepite z lepilnim trakom ali jih drugače zaščitite, baterijo pa zapakirajte tako, da se v embalaži ne more premikati.
11. **Ko odstranjujete akumulatorsko baterijo, jo vzemite iz orodja in varno zavržite. Upoštevajte lokalne uredbe glede odlaganja baterije.**
12. **Baterije uporabljajte le z izdelki, ki jih določi Makita.** Če namestite baterije v neskladne izdelke, lahko pride do požara, pregrevanja, eksplozije ali puščanja elektrolita.
13. **Če orodja dlje časa ne uporabljate, morate iz njega odstraniti baterijo.**
14. **Med uporabo in po uporabi lahko akumulatorska baterija postane vroča in povzroči opeklino. Z vročimi akumulatorskimi baterijami ravnajte pazljivo.**
15. **Ne dotikajte se priključka orodja takoj po uporabi, ker se lahko dovolj segreje, da povzroči opeklino.**
16. **Ne dovolite, da bi se v priključke, odprtine in utore akumulatorske baterije zleplili ostrižki, prah ali zemlja.** Umazanija lahko povzroči slabše delovanje ali okvaro orodja oziroma akumulatorske baterije.
17. **Razen če orodje podpira uporabo v bližini visokonapetostnih električnih vodov, akumulatorske baterije ne uporabljajte v bližini visokonapetostnih električnih vodov.** Takšna uporaba lahko povzroči motnje v delovanju ali okvaro orodja oziroma akumulatorske baterije.
18. **Baterijo hranite izven dosega otrok.**

## SHRANITE TA NAVODILA.

**⚠️ POZOR:** Uporabljajte le originalne baterije Makita. Če uporabljate neoriginalne baterije Makita ali baterije, ki so bile spremenjene, lahko pride do eksplozije baterije in posledično do požara, telesnih poškodb ali materialne škode. S takšno uporabo boste tudi razveljavili garancijo Makita za orodje in polnilnik Makita.

## Nasveti za ohranjanje največje zmogljivosti akumulatorja

1. **Napolnite baterijski vložek, preden se v celoti izprazni. Ko opazite, da ima orodje manjšo moč, vedno ustavite delovanje orodja in napolnite baterijski vložek.**
2. **Nikoli znova ne polnite popolnoma napolnjenega baterijskega vložka. Prenapolnjenje skrajša življenjsko dobo akumulatorja.**
3. **Baterijski vložek s sobno temperaturo polnite pri temperaturi okolja od 10 °C do 40 °C. Počakajte, da se vroč baterijski vložek pred polnjenjem ohladi.**
4. **Ko akumulatorske baterije ne uporabljate, jo odstranite iz orodja ali polnilnika.**
5. **Če baterijskega vložka ne uporabljate dalj časa (več kot 6 mesecev), ga napolnite.**

## OPIS DELOVANJA

**⚠️ POZOR:** Pred nastavljanjem ali preizkusom delovanja orodja se prepričajte, ali je orodje izključeno in ali je akumulatorska baterija odstranjena.

**⚠️ POZOR:** Pazite, da si med nameščanjem akumulatorja ne priprete prstov med sesalnik in akumulator. Tako se lahko poškodujete.

## Nameščanje ali odstranjevanje akumulatorske baterije

**⚠️ POZOR:** Vedno izklopite orodje, preden namestite ali odstranite akumulatorsko baterijo.

**⚠️ POZOR:** Kadar nameščate ali odstranjujete akumulatorsko baterijo, trdno držite orodje in akumulatorsko baterijo. Če orodja in akumulatorske baterije ne držite trdno, se lahko zgodi, da vam zdrsneta iz rok, posledica pa je lahko poškodba orodja in akumulatorske baterije ter telesna poškodba.

► **SI.1:** 1. Rdeči indikator 2. Gumb 3. Baterijski vložek

Če želite odstraniti akumulatorsko baterijo, jo potisnite iz orodja, pri tem pa pomikajte gumb na sprednji strani vložka.

Akumulatorsko baterijo vstavite tako, da poravnate jeziček na bateriji z utorom na ohišju in jo potisnete v ležišče. Potisnite jo do konca, da se zaskoči. Če je rdeči indikator na zgornji strani gumba viden, pomeni, da baterija ni ustrezno zaklenjena.

**⚠️ POZOR:** Vedno namestite akumulatorsko baterijo tako, da rdeči indikator ni več viden. Če tega ne upoštevate, lahko baterija nepričakovano pade iz orodja in poškoduje vas ali osebe v neposredni bližini.

**⚠️ POZOR:** Ne nameščajte akumulatorske baterije s silo. Če se akumulatorska baterija ne zaskoči zlahka, ni pravilno vstavljena.

## Zaščitni sistem orodja/akumulatorja

Orodje je opremljeno z zaščitnim sistemom za orodje/akumulator. Sistem samodejno prekine napajanje orodja, da podaljša življenjsko dobo orodja in akumulatorja. Orodje bo samodejno prenehalo delovati, če boste orodje ali akumulator uporabljali pod v nadaljevanju naštetimi pogoji. V nekaterih primerih zasveti opozorilna lučka.

► **Sl.2:** 1. Opozorilna lučka

## Zaščita pred preobremenitvijo

Kadar orodje uporabljate na način, ki povzroča neobičajno visoko porabo električnega toka, se orodje samodejno zaustavi in vklopi indikator, ki zasveti za približno 60 sekund. V tem primeru izklopite orodje in prekinite delo, ki je povzročilo preobremenitev orodja. Nato vklopite orodje, da ga znova zaženete.

## Zaščita pred pregrevanjem

Ko se orodje/akumulator pregreje, se orodje samodejno ustavi, indikator akumulatorja pa utripa približno 60 sekund. Orodje se ne zažene, tudi če ga vklopite. V tem primeru pustite, da se akumulator ohladi, preden znova vklopite orodje.

## Zaščita pred prekomernim izpraznjenjem












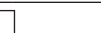





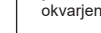
Ko preostala zmogljivost akumulatorja doseže nizko raven, začne utripati indikator. Ob nadaljnji uporabi se orodje zaustavi in vklopi indikator, ki sveti približno 60 sekund. Če vklopite orodje, se motor zažene, vendar kmalu tudi zaustavi. V tem primeru napolnite akumulatorsko baterijo.

**OPOMBA:** Čas vklopa lučke je odvisen od temperature na delovnem mestu in stanja akumulatorske baterije.

## Prikazuje preostalo raven napolnjenosti akumulatorja

**Samo za akumulatorske baterije z indikatorjem**

► **Sl.3:** 1. Indikatorne lučke 2. Gumb za preverjanje  
Pritisnite gumb za preverjanje na baterijskem vložku, da preverite raven napolnjenosti akumulatorja. Indikatorne lučke na kratko zasvetijo.

Indikatorne lučke			Prikaz preostale ravni napolnjenosti
 Sveti	 Ne svetila	 Utripa	
			od 75 % do 100 %
			od 50 % do 75 %
			od 25 % do 50 %
			od 0 % do 25 %
			Napolnite akumulator.
 	 	 	Akumulator je morda okvarjen.

**OPOMBA:** Odvisno od pogojev uporabe in okoljske temperature se označba lahko nekoliko razlikuje od dejanske napolnjenosti.

## Delovanje stikala

► **Sl.4:** 1. Gumb za vklop/spreminjanje hitrosti  
2. Gumb za izklop

Za zagon čistilnika pritisnite gumb za vklop/spreminjanje hitrosti. Za izklop pritisnite gumb za izklop. Z gumbom za vklop/spreminjanje hitrosti lahko spremenite hitrost čistilnika v treh korakih. S prvim pritiskom aktivirate način z visoko hitrostjo, z drugim pritiskom aktivirate način z največjo hitrostjo in s tretjim pritiskom aktivirate način z običajno hitrostjo. Vsak pritisk tega gumba izmenično ponovi cikel visoke/največje/običajne hitrosti.

## MONTAŽA

**⚠APOZOR:** Pred vsako izvedbo dela na orodju se prepričajte, da je le to izključeno in da je akumulatorska baterija odstranjena.

## Vrečka za prah in papirnati filter

Pred uporabo čistilnika namestite vrečko za prah ali papirnati filter.  
Pri nameščanju vrečke za prah ali papirnatega filtra uporabite napravo za ustavljanje prahu.  
Vrečko za prah lahko uporabite večkrat, če jo očistite. Papirnati filter je za enkratno uporabo. Ko je papirnati filter poln, ga zavrzite, ne da bi ga izpraznili.

**OBVESTILO:** Preprečite vdor prahu v motor:

- Pred uporabo se prepričajte, da je vrečka za prah ali papirnati filter nameščen.
- Pri nameščanju vstavite napravo za ustavljanje prahu skupaj z vrečko za prah ali s papirnatim filtrom do konca v reže.
- Ne uporabljajte poškodovane ali raztrgane vrečke.

Zaradi raztrgane vrečke se lahko poškoduje motor.

**OBVESTILO:** Kadar nameščate papirnati filter, kartona ne prepognite pri odprtini.

**OBVESTILO:** Naprave za ustavljanje prahu nikoli ne zavrzite, saj jo je treba večkrat uporabiti, ko uporabljate vrečko za prah ali papirnati filter.

**OBVESTILO:** Papirnati filter za čistilnik je pomembna komponenta za učinkovito delovanje orodja. Uporaba neoriginalnega papirnatega filtra lahko povzroči dim ali vžig.

## Nameščanje vrečke za prah

Pri nameščanju vrečke za prah uporabite napravo za ustavljanje prahu. Pazite, da ne boste pomotoma zamenjali zgornje in spodnje strani, saj sta različni.

► **Sl.5:** 1. Zgornja stran naprave za ustavljanje prahu  
2. Spodnja stran naprave za ustavljanje prahu



1. Vstavite izboklino vrečke za prah v utor naprave za ustavljanje prahu, kot je prikazano na sliki.

Zgornji in spodnji del vrečke za prah se ne razlikujeta. V utor naprave za ustavljanje prahu lahko vstavite izboklino na kateri koli strani.

- ▶ **SI.6:** 1. Naprava za ustavljanje prahu 2. Utor 3. Vrečka za prah
2. Okvir vrečke za prah mora prekrivati okvir naprave za ustavljanje prahu.
    - ▶ **SI.7**
  3. Napravo za ustavljanje prahu in vrečko za prah namestite skupaj v odprtino čistilnika v isti smeri, kot kaže puščica na napravi za ustavljanje prahu. Vstavite ju do konca v reže v odprtini čistilnika.
    - ▶ **SI.8:** 1. Reža
  4. Namestite celoten platneni del vrečke za prah v čistilnik.
    - ▶ **SI.9**
  5. Do konca zaprite pokrov posode za prah.
    - ▶ **SI.10:** 1. Pokrov posode za prah

**OPOMBA:** Kadar v sesalniku ni vrečke za prah, se pokrov posode za prah ne zapre do konca.

## Nameščanje papirnatega filtra

Tudi pri nameščanju papirnatega filtra uporabite napravo za ustavljanje prahu. Pazite, da ne boste pomotoma zamenjali zgornje in spodnje strani, saj sta različni.

- ▶ **SI.11:** 1. Zgornja stran naprave za ustavljanje prahu 2. Spodnja stran naprave za ustavljanje prahu

1. Odvijte vhodni del papirnatega filtra, preden ga namestite na napravo za ustavljanje prahu.
  - ▶ **SI.12**
2. Vstavite izboklino papirnatega filtra v utor naprave za ustavljanje prahu, kot je prikazano na sliki.

Zgornji in spodnji del papirnatega filtra se ne razlikujeta. V utor naprave za ustavljanje prahu lahko vstavite izboklino na kateri koli strani.

  - ▶ **SI.13:** 1. Naprava za ustavljanje prahu 2. Utor 3. Papirnati filter
3. Okvir papirnatega filtra mora prekrivati okvir naprave za ustavljanje prahu.
  - ▶ **SI.14**
4. Napravo za ustavljanje prahu in papirnati filter namestite skupaj v odprtino čistilnika v isti smeri, kot kaže puščica na napravi za ustavljanje prahu. Vstavite ju do konca v reže v odprtini čistilnika.
  - ▶ **SI.15:** 1. Reža
5. Namestite celoten vsebnik papirnatega filtra v orodje.
  - ▶ **SI.16**
6. Do konca zaprite pokrov posode za prah.
  - ▶ **SI.17:** 1. Pokrov posode za prah

**OPOMBA:** Kadar v sesalniku ni papirnatega filtra, se pokrov posode za prah ne zapre do konca.

## Namestitev ramenskega jermena

**⚠ POZOR:** Pazite, da se ramenski jermen ne bo zataknil za kakšen predmet v okolici.

**⚠ POZOR:** Pazite, da vam ramenski jermen ne bo zdrsnil z ramena pri uporabi sesalnika. Za stabilnejše ravnanje s sesalnikom priporočamo, da ramenski jermen namestite na sredino prsnega koša.

Kavljce ramenskega jermena pritrдите na nastavke sesalnika, kot je prikazano na sliki.

- ▶ **SI.18:** 1. Ramenski jermen 2. Kavelj 3. Nastavek

**OPOMBA:** Ramenski jermen lahko pritrđite tudi na mehko torbo (dodatna oprema), kot je prikazano na sliki.

- ▶ **SI.19:** 1. Ramenski jermen 2. Mehka torba

## UPRAVLJANJE

**⚠ POZOR:** Sesalnik vedno prenašajte tako, da ga držite za ročaj. Če ga prenašate z držanjem za nastavke, se lahko sname s sesalnika in vas poškoduje.

**⚠ POZOR:** Aparata ne uporabljajte med vožnjo ali z motorjem v teku.

**⚠ POZOR:** Ne držite priključka za cev, kot je prikazano na sliki. Če priključek za cev držite tako, si lahko priščipnete prste.

- ▶ **SI.20:** 1. Priključek za cev

## Uporaba kot sesalnik

**OPOMBA:** Pred začetkom sesanja odstranite nastavke za pihanje. Če je nastavek za pihanje vstavljen v sesalnik, se s tem zmanjša moč sesanja.

## Nameščanje ali odstranjevanje nastavka za sesanje

Če želite priklopiti posamezen nastavek, ga zavrtite in vstavite v cev. Če želite odstraniti nastavek, ga zavrtite in izvlčite.

Način namestitve se razlikuje glede na uporabljen nastavek, kot je prikazano na sliki.

- ▶ **SI.21:** 1. Cev 2. Gumijasti nastavek 3. Mehka krtača 4. Nastavek za sedeže 5. Nastavek za predpražnike

## Sesanje

### Gumijasti nastavek

Ta nastavek je primeren za čiščenje pritlehnih koticov, kot je utor pri drsnih vratih. Gumijasti nastavek je nežen do površin, ki jih želite očistiti.

- ▶ **SI.22:** 1. Gumijasti nastavek

### Mehka krtača

Ta nastavek je primeren za čiščenje prezračevalnih odprtin, armaturne plošče itd. Glavo mehke krtače je mogoče upogniti pravokotno.

- ▶ **SI.23:** 1. Mehka krtača

## Nastavek za sedeže

Ta nastavek ima vlakneno krtačo za čiščenje površine sedežev. Stranska krtača na nastavku je uporabna za doseganje prahu pri šivih.

► **SI.24:** 1. Nastavek za sedeže 2. Stranska krtača

## Nastavek za predpražnike

Ta nastavek se uporablja za čiščenje predpražnikov in preprog. Ščetine na nastavku pomagajo doseči zrna peska.

► **SI.25:** 1. Nastavek za predpražnike

**OBVESTILO:** Nastavek za predpražnike uporabite le za čiščenje predpražnika. Če nastavek za predpražnike uporabljate za čiščenje drugih materialov, se lahko obrabi.

## Čiščenje brez šobe

Sesate lahko tudi brez nastavkov.

► **SI.26**

## Odstranjevanje prahu

**POZOR:** Izpraznite vrečko za prah ali zamenjajte papirnati filter, preden se napolni. V nasprotnem primeru se bo zmanjšala moč sesanja/pihanja.

**POZOR:** Pri zapiranju pokrova posode za prah bodite previdni, da si ne priščipnete prstov.

**OBVESTILO:** Naprave za ustavljanje prahu nikoli ne zavrzite, saj jo je treba uporabiti pri vsaki uporabi vrečke za prah ali papirnatega filtra.

**OBVESTILO:** Če vrečka za prah oz. papirnati filter nista nameščena v sesalniku, se pokrov posode za prah ne bo zaprl do konca. Ne poskušajte na silo zapreti posode za prah. S tem lahko namreč poškodujete ali zlomite orodje.

**OBVESTILO:** Pri odstranjevanju prahu očistite tudi prostor za vrečko za prah oz. papirnati filter. Zaradi preostalega prahu in umazanije v prostoru lahko namreč pride do zamašitve gobastega filtra ali poškodb motorja.

1. Odprite pokrov posode za prah.

► **SI.27:** 1. Pokrov posode za prah

2. Hkrati izvlecite oranžno napravo za ustavljanje prahu in vrečko za prah oz. papirnati filter.

► **SI.28:** 1. Naprava za ustavljanje prahu

3. Če uporabljate vrečko za prah

Odstranite napravo za ustavljanje prahu in izpraznite vrečko za prah.

► **SI.29:** 1. Naprava za ustavljanje prahu 2. Vrečka za prah

### Če uporabljate papirnati filter

Odstranite napravo za ustavljanje prahu in zavrzite papirnati filter.

► **SI.30:** 1. Naprava za ustavljanje prahu 2. Papirnati filter

4. Vstavite vrečko za prah/novi papirnati filter skupaj z napravo za ustavljanje prahu v sesalnik in zaprite pokrov posode za prah.

## Uporaba kot puhalnik

**POZOR:** Šobe nikoli ne usmerjajte proti osebam v bližini.

**POZOR:** Priporočljivo je, da med čiščenjem odprete okna ter si nadenete zaščitna očala in masko, da preprečite vdihovanje prahu.

**POZOR:** Ne vlecite nastavka za pihanje. Lahko se namreč sname s čistilnika.

**POZOR:** Sesalnika ne uporabljajte za pihanje zraka v predmete, kot so gumijasti čolni, žoge ali napihljivi izdelki. Povišani vrtljaji motorja lahko uničijo ventilator, kar je lahko tudi nevarno.

**POZOR:** Nikoli ne smete zamašiti sesalnega vhoda in/ali izhoda puhalnika. Pazite, da ne zamašite sesalnega vhoda in/ali izhoda puhalnika, kadar ga uporabljate v prašnem prostoru.

**POZOR:** Ne uporabljajte šob, ki jih ni priložilo podjetje Makita.

## Nameščanje ali odstranjevanje nastavka za pihanje

Za namestitvev nastavka za pihanje poravnajte zatič na nastavku za pihanje s prezračevalno odprtino in ga potisnite, da se zaskoči.

► **SI.31:** 1. Nastavek za pihanje

Za odstranitev nastavka za pihanje pritisnite zatič na zgornji strani in nastavek povlecite rahlo navzdol.

► **SI.32**

## Pihanje

Usmerite konico nastavka za pihanje proti predmetu, ki ga želite odpihniti, in vklopite orodje.

► **SI.33**

## VZDRŽEVANJE

**POZOR:** Preden se lotite pregledovanja ali vzdrževanja orodja, se vedno prepričajte, da je orodje izklopljeno in akumulatorska baterija odstranjena.

**OBVESTILO:** Nikoli ne uporabljajte bencina, razredčila, alkohola ali podobnega sredstva. V tem primeru se lahko orodje razbarva ali deformira oziroma lahko nastanejo razpoke.

VARNO in ZANESLJIVO delovanje tega izdelka bo zagotovljeno le, če boste popravila, vzdrževanje in nastavitve prepustili pooblaščenemu servisu za orodja Makita ali tovarnikskemu osebju, ki vgrajuje izključno originalne nadomestne dele.

## Čiščenje

Občasno obrišite zunanost (ohišje) čistilnika s krpo, namočeno v milnico.

Očistite tudi sesalno odprtino, območje za namestitvev vrečke za prah/papirnatega filtra in napravo za ustavljanje prahu.

► **SI.34**



Operite vrečko za prah v milnici, saj se moč sesalnika zmanjša, če je vrečka polna praha. Pred uporabo ga temeljito osušite. Nezadostno osušen filter lahko povzroči slabše sesanje in skrajša življenjsko dobo motorja.

► **SI.35**

**OPOMBA:** Papirnati filter je za enkratno uporabo.

Ko je gobasti filter zamašen s prahom, ga odstranite iz čistilnika in ga obrišite ali operite v vodi.

## Odstranjevanje in nameščanje gobastega filtra

**▲POZOR:** Ko gobasti filter očistite, ga namestite v čistilnik. Če ste ga oprali v vodi, ga pred namestitvijo posušite. Nezadostno posušen gobasti filter lahko skrajša življenjsko dobo motorja.

Če želite odstraniti gobasti filter, najprej odstranite vrečko za prah ali papirnati filter, primite gobasti filter in ga izvlecite.

► **SI.36:** 1. Gobasti filter

Celoten rob gobastega filtra pritisnite ob umaknjeni del znotraj območja za namestitev vrečke za prah/papirnatega filtra.

► **SI.37:** 1. Umaknjena stena

## Shranjevanje

**▲OPPOZORILO:** Ne puščajte akumulatorske baterije in polnilnika v avtu. Temperatura v avtu, izpostavljenem soncu, lahko preseže 50 °C (122 °F). Zaradi tega lahko pride do okvare akumulatorske baterije in iztekanja tekočine, smojenja ali požara.

► **SI.38**

**▲OPPOZORILO:** Ne uporabljajte polnilnika, ko je v vrečki za shranjevanje. Zaradi oviranega prezračevanja lahko pride do smojenja ali požara.

► **SI.39**

**▲OPPOZORILO:** Ne polnite akumulatorske baterije z vgrajenim frekvenčnim menjalnikom. Naprava se lahko pregreje in vname.

**▲OPPOZORILO:** Akumulatorske baterije nikoli ne polnite v avtomobilu. Če je akumulatorska baterija izpostavljena temperaturam od 10 °C (50 °F) do 40 °C (104 °F), se lahko pregreje oz. vname ali eksplodira.

**▲POZOR:** Kadar sesalnika ne uporabljate, cev pospravite tako, kot je prikazano, da se ne spotaknete ob njo. Če cevi ne pospravite, se lahko vanjo ujamete z nogo in poškodujete.

► **SI.40:** 1. Kavelj 2. Cev

## Odpravljanje težav

Preden zahtevate popravilo, preverite naslednje:

Težava	Kaj je treba preveriti	Odpravljanje težave
Majhna moč sesanja	Ali je v vrečki za prah ali papirnatem filtru preveč prahu?	Izpraznite vrečko za prah ali papirnati filter.
	Ali je vrečka za prah zamašena?	Odstranite prah iz vrečke ali jo operite.
	Ali je papirnati filter zamašen?	Zamenjajte papirnati filter.
	Ali je akumulatorska baterija prazna?	Napolnite akumulatorsko baterijo.
Čistilnik ne deluje	Ali je akumulatorska baterija prazna?	Napolnite akumulatorsko baterijo.
Pokrov posode za prah se ne zapre	Ali ste namestili vrečko za prah ali papirnati filter?	Namestite vrečko za prah ali papirnati filter.

**OBVESTILO:** Ne poskušajte sami popravljati čistilnika.

## DODATNA OPREMA

**▲POZOR:** Ta dodatni pribor ali pripomočki so predvideni za uporabo z orodjem Makita, ki je opisano v teh navodilih za uporabo. Pri uporabi drugega pribora ali pripomočkov obstaja nevarnost telesnih poškodb. Dodatni pribor ali pripomočke uporabljajte samo za navedeni namen.

Za več informacij o dodatni opremi se obrnite na najbližji pooblaščen servis za orodja Makita.

- Podaljšek (ravna cev)
- Šoba
- Šoba za preprogo
- Krtača za police

- Kotna šoba
- Okrogla krtača
- Gibljiva cev
- Papirnati filter
- Prosta šoba
- Nastavek za sedeže
- Nastavek za špranje
- Nastavek za ciklonski sesalnik
- Vrečka za prah
- Visoko zmogljiva vrečka za prah
- Mehka torba
- Originalna akumulator in polnilnik Makita

**OPOMBA:** Nekateri predmeti na seznamu so lahko priloženi orodju kot standardna dodatna oprema. Lahko se razlikujejo od države do države.

## PARALAJMËRIM

Kjo pajisje mund të përdoret nga fëmijë të moshës 8 vjeçare e lart dhe persona me aftësi të kufizuara fizike, shqisore ose mendore, ose që u mungon përvoja dhe njohuria, nëse janë nën mbikëqyrje apo kanë marrë udhëzime në lidhje me përdorimin e sigurt të pajisjes dhe kuptimin e rreziqeve të mundshme. Fëmijët nuk duhet të luajnë me pajisjen. Pastrimi dhe mirëmbajtja nga përdoruesi nuk duhet të kryhet nga fëmijë pa mbikëqyrje.

## SPECIFIKIMET

Modeli:		DCL184
Kapaciteti	me qese pluhuri	500 mL
	me filtër letre	330 mL
Përdorimi i vazhdueshëm (me bateri BL1830B)	1 (Regjimi me shpejtësi normale)	Rreth 80 min
	2 (Regjimi me shpejtësi të lartë)	Rreth 30 min
	3 (Regjimi me shpejtësi maksimale)	Rreth 20 min
Gjatësia e përgjithshme (me bateri BL1830B)		365 mm
Tensioni nominal		D.C. 18 V
Pesha neto		1,8 - 2,2 kg

- Për shkak të programit tonë të vazhdueshëm të kërkim-zhvillimit, specifikimet që jepen këtu mund të ndryshojnë pa dhënë njoftim.
- Specifikimet mund të ndryshojnë nga njëri shtet në tjetrin.
- Pesha nuk përfshin aksesorët, por kutinë(të) e baterisë. Pesha më e lehtë dhe më e rëndë e kombinuar e pajisjes dhe e kutisë(ve) të baterisë tregohet në tabelë.

## Kutia e aplikueshme e baterisë dhe karikuesi

Kutia e baterisë	BL1815N / BL1820 / BL1820B / BL1830 / BL1830B / BL1840 / BL1840B / BL1850 / BL1850B / BL1860B
Karikuesi	DC18RC / DC18RD / DC18RE / DC18SD / DC18SE / DC18SF / DC18SH

- Disa prej kutive të baterive dhe karikuesve të renditura më lart mund të mos jenë të disponueshme në varësi të zonës ku ju banoni.

**⚠ PARALAJMËRIM: Përdorni vetëm kutitë e baterisë dhe karikuesit e listuar më lart.** Përdorimi i karikuesve dhe kutive të tjera të baterisë mund të shkaktojë lëndim dhe/ose zjarr.

## Simbolet

Pjesët në vazhdim tregojnë simbolet që mund të përdoren për pajisjen. Sigurohuni që merrni vesh kuptimin e tyre përpara përdorimit.



Lexoni manualin e përdorimit.



Vetëm për vendet e BE-së  
Mos i hidhni pajisjet elektrike ose paketën e baterisë së bashku me mbeturinat e shtëpisë! Në përputhje me Direktivën Evropiane për mbetjet nga pajisjet elektrike dhe elektronike, për bateritë dhe akumulatorët dhe mbetjet nga bateritë dhe akumulatorët dhe implementimin e tyre në përputhje me legjislacionin kombëtar, pajisjet elektrike, bateritë dhe paketën(at) e baterisë që kanë arritur fundin e jetëgjatësisë së tyre duhet të mblidhen veçmas dhe të dorëzohen në një objekt riciklimi që nuk dëmton mjedisin.

## Përdorimi i synuar

Vegla është synuar për mbledhjen e pluhurit të thatë.

# PARALAJMËRIME SIGURIE

## Paralajmërimi për sigurinë e pastruesit me bateri

**⚠ PARALAJMËRIM: E RËNDËSISHME**  
**LEXONI ME KUJDES të gjitha paralajmërimet**  
dhe udhëzimet **PARA PËRDORIMIT**. Moszbatimi i  
paralajmërimeve dhe udhëzimeve mund të rezultojë  
në goditje elektrike, zjarr dhe/ose lëndim serioz.

1. **Mos e ekspozoni në kohë me shi. Ruajeni në ambiente të brendshme.**
2. **Mos lejoni të përdoret si lodër. Nevojitet vëmendje e kujdesshme kur përdoret nga ose në afërsi të fëmijëve.**
3. **Të përdoret vetëm sipas udhëzimeve të këtij manuali. Përdorni vetëm pjesët shtesë të rekomanduara nga kompania prodhuese.**
4. **Mos përdorni bateri të dëmtuar. Nëse pajisja nuk funksionon siç duhet, është përplasur, dëmtuar, lënë në ambiente të jashtme ose ka rënë në ujë, dërgojeni në një qendër shërbimi.**
5. **Mos e përdorni pajisjen me duar të lagura.**
6. **Mos vendosni objekte në pjesët e hapura. Mos e përdorni me pjesët e hapura të bllokuara; mbajeni të pastër nga pluhurat, fijet, flokët dhe çfarëdo gjë që mund të pengojë rrjedhjen e ajrit.**
7. **Mbajini flokët, veshjet e lirshme, gishtat dhe të gjitha pjesët e trupit larg nga pjesët e hapura dhe të lëvizshme.**
8. **Fikni të gjitha kontrollet para se të hiqni baterinë.**
9. **Tregoni kujdes maksimal kur pastroni në shkallë.**
10. **Mos e përdorni për të mbledhur lëngje të ndezshme ose të djegshme si benzina apo mos e përdorni në zona ku mund të gjenden ato.**
11. **Për karikim, përdorni vetëm karikuesin e dhënë nga kompania prodhuese.**
12. **Mos mblidhni ndonjë gjë që digjet apo është e ndezur, si cigaret, shkrepset apo hiri i nxehtë.**
13. **Mos e përdorni pa vendosur qesen e pluhurit dhe/ose filtrat në vend.**
14. **Mos e karikoni baterinë në ambiente të jashtme.**
15. **Karikojeni vetëm me karikuesin e specifikuar nga prodhuesi. Karikuesi që është i përshtatshëm për një lloj pakete baterie mund të shkaktojë rrezik zjarri kur përdoret me një paketë tjetër baterie.**
16. **Përdorini veglat elektrike vetëm me paketat e baterisë të përcaktuara në mënyrë specifike. Përdorimi i paketave të tjera të baterisë mund të paraqesë rrezik lëndimi dhe zjarri.**

17. **Kur paketa e baterisë nuk përdoret, mbajeni larg objekteve të tjera metalike, si kapëset e letrave, monedhat, çelësat, gozhdët, vidat ose objektet e tjera të vogla metalike që mund të bëjnë lidhje nga njëri terminal tek tjetri.**
18. **Në kushte sforcimi mund të dalë lëng nga bateria; shmangni kontaktin. Nëse aksidentalisht ndodh kontakt, shpëlani me ujë.**
19. **Mos e përdorni një kuti baterie apo vegël që është e dëmtuar ose e modifikuar. Bateritë e dëmtuara ose të modifikuara mund të shfaqin sjellje të paparashikueshme që rezultojnë në zjarr, shpërthime apo rrezik plagosjeje.**
20. **Mos e ekspozoni kutinë e baterisë ose veglën në zjarr ose ndaj temperaturave ekstreme. Ekspozimi ndaj zjarrit ose temperaturave mbi 130 °C mund të shkaktojë shpërthim.**
21. **Ndiqu të gjitha udhëzimet e karikimit dhe mos e karikoni kutinë e baterisë ose veglën jashtë kufijve të temperaturës të specifikuar të udhëzimit. Karikimi i pasaktë ose në temperatura jashtë kufijve të specifikuar mund të dëmtojë baterinë dhe të rrisë rrezikun e zjarrit.**

## RUAJINI KËTO UDHËZIME.

### RREGULLA TË TJERA SIGURIE

Kjo pjesë synohet për përdorim shtëpiak.

1. **Lexoni me kujdes këtë manual përdorimi dhe manualin e përdorimit të karikuesit para përdorimit.**
2. **Mos i mblidhni materialet në vijim:**
  - Sendet si cigaret e ndezura apo pluhurin e shkëndijave/metaleve të krijuar nga gërryerja/prerja e metaleve
  - Materialet e djegshme si gazolina, holluesi, vajguri apo boja
  - Materialet shpërthyes si nitroglicerina
  - Materialet e ndezshme si alumini, zinku, magnezi, titani, fosfori apo celuloidi
  - Baltë të njomë, ujë, vaj ose sende të ngjashme
  - Sende të ngurta me cepa të mprehtë si ashkia druri, metale, gurë, xhama, gozhdë, gjilpëra ose brisqe
  - Pluhur që mpikset si çimento apo toner
  - Pluhur përcjellës si metal apo karbon
  - Grimca të imëta si pluhur betoni**Veprime të tilla mund të shkaktojnë zjarr, lëndim dhe/ose dëmtim të pronës.**
3. **Ndaloni menjëherë punën nëse vini re diçka jonormale.**
4. **Nëse pastruesi ju rrëzohet ose goditet, kontrollojeni me kujdes për plasaritje ose dëmtim para përdorimit.**
5. **Mos e afroni me sobat apo burime të tjera nxehtësie.**
6. **Mos e bllokoni vrimën e hyrjes së ajrit apo vrimat e ventilimit.**

## RUAJINI KËTO UDHËZIME.

## Udhëzime të rëndësishme rreth sigurisë për kutinë e baterisë

1. Përpara se ta përdorni kutinë e baterisë, lexoni të gjitha udhëzimet dhe shënimet e masave parandaluese të (1) ngarkuesi i baterisë, (2) bateria dhe (3) produkti që përdor baterinë.
2. Mos e çmontoni ose dëmtoni kutinë e baterisë. Kjo mund të shkaktojë zjarr, nxehtësi të lartë ose shpërthim.
3. Nëse koha e përdorimit është shkurtuar jashtë mase, ndalojeni punën menjëherë. Kjo mund të rezultojë në rrezik mbixhejeje, djegie të mundshme, madje edhe shpërthim.
4. Nëse ju futen elektrolite në sy, shpëlajini sytë me ujë të pastër dhe kërkoni ndihmë mjekësore menjëherë. Kjo gjë mund të rezultojë në humbje të shikimit.
5. Mos bëni lidhje të shkurtër me kutinë e baterisë:
  - (1) Mos i prekni terminalët me materiale përcjellëse.
  - (2) Shmangni ruajtjen e kutisë së baterisë në një kuti me objekte të tjera metalike, si gozhdë, monedha etj.
  - (3) Mos e ekspozoni kutinë e baterisë në ujë ose shi. Qarku i shkurtër i baterisë mund të shkaktojë qarkullim të madh të rrymës elektrike, mbixhejeje, djegie të mundshme dhe madje prishje.
6. Mos e ruani dhe mos e përdorni pajisjen dhe kutinë e baterisë në vende ku temperatura mund të arrijë ose tejkalojë 50 °C (122 °F).
7. Mos e digjni kutinë e baterisë, edhe nëse është shumë e dëmtuar ose është konsumuar plotësisht. Kutia e baterisë mund të shpërthejë në zjarr.
8. Mos e shpuni, pritni, shtypni, hidhni apo rrezoni kutinë e baterisë apo ta goditni kutinë e baterisë me një objekt të fortë. Një sjiellje e tillë mund të shkaktojë zjarr, nxehtësi të lartë ose shpërthim.
9. Mos përdorni bateri të dëmtuar.
10. Bateritë e përfshira të litiumit, u nënshtrohen kërkesave të legjisllacionit për mallrat e rrezikshme. Për transport tregtar p.sh. nga palë të treta, agjentë të ndërmjetëm, duhet të ndiqen kërkesa specifike mbi paketimin dhe etiketimin. Për përgatitjen e artikullit për transport, është i nevojshëm konsultimi i një eksperti për materiale të rrezikshme. Ju lutemi, ndiqni gjithashtu rregulloret me gjasë më të detajuara vendore. Mbuloni me ngjitime ose maskoni kontaktet e zhveshura dhe paketojeni baterinë në mënyrë të tillë që të mos lëvizë në paketim.
11. Kur hidhni kutinë e baterisë, hiqeni nga vegla dhe hidhni në një vend të sigurt. Zbatoni rregulloret lokale rreth hedhjes së baterisë.
12. Përdorni bateritë vetëm me produktet e specifikuar nga Makita. Instalimi i baterive në produkte të papajtuësme mund të rezultojë në zjarr, nxehtësi të lartë, shpërthim ose rrjedhje të elektroliteve.
13. Nëse vegla nuk përdoret për një periudhë të gjatë kohe, bateria duhet të hiqet nga vegla.
14. Gjatë dhe pas përdorimit, kutia e baterisë mund të nxehet, gjë që mund të shkaktojë djegie ose djegie në temperaturë të ulët. Tregoni kujdes gjatë manovrimit të kutive të nxehta të baterive.
15. Mos prekni terminalin e veglës menjëherë pas përdorimit pasi mund të nxehet aq shumë sa të shkaktojë djegie.

16. Mos lejoni që grumbullimin e ashklave, pluhurave ose papastërtive në terminalët, vrimat ose kanalet e kutisë së baterisë. Kjo mund të shkaktojë rendiment të ulët ose dëmtim të veglës ose të kutisë së baterisë.
17. Përveç kur vegla e mbështet përdorimin pranë linjave elektrike me voltazh të lartë, mos e përdorni kutinë e baterisë pranë linjave elektrike me voltazh të lartë. Kjo mund të shkaktojë një defekt ose dëmtim të veglës ose të kutisë së baterisë.
18. Mbjajeni baterinë larg fëmijëve.

## RUAJINI KËTO UDHËZIME.

### **▲KUJDES:** Përdorni vetëm bateri origjinale Makita.

Përdorimi i baterive jo-origjinale Makita ose baterive që mund të jenë modifikuar, mund të rezultojë në marrjen flakë të baterisë, lëndime personale apo dëmtime. Kjo do të anulojë gjithashtu edhe garancinë e Makita-s për veglën e Makita-s dhe ngarkuesin.

## Këshilla për të ruajtur jetëgjatësinë maksimale të baterisë

1. Ngarkojeni baterinë përpara se të shkarkohet plotësisht. Gjithmonë ndaloni punën me pajisjen dhe ngarkoni baterinë kur vëreni ulje të fuqisë së pajisjes.
2. Asnjëherë mos e ringarkoni baterinë e ngarkuar plotësisht. Mbingarkimi shkurtun jetëgjatësinë e shërbimit të baterisë.
3. Ngarkojeni baterinë në temperaturën e dhomës në 10 °C - 40 °C. Lërimi i kutisë e nxehtë të baterisë të ftohet përpara se ta ngarkoni atë.
4. Kur nuk e përdorni kutinë e baterisë, hiqeni atë nga vegla ose karikuesi.
5. Ngarkojeni baterinë nëse nuk e përdorni për një kohë të gjatë (mbi gjashtë muaj).

## PËRSHKRIMI I PUNËS

**▲KUJDES:** Sigurohuni gjithmonë që vegla të jetë e fiksuar dhe kutia e baterisë të jetë hequr përpara se ta rregulloni apo t'i kontrolloni funksionet e veglës.

**▲KUJDES:** Bëni kujdes të mos ju ngecin gishtat midis pastruesit dhe baterisë, kur të karikoni baterinë. Nëse ju ngecin gishtat mund të lëndoheni.

## Instalimi ose heqja e kutisë së baterisë

**▲KUJDES:** Fikeni gjithmonë veglën përpara se të instaloni ose hiqni kutinë e baterisë.

**▲KUJDES:** Mbjajeni fort veglën dhe kutinë e baterisë kur montoni ose hiqni kutinë e baterisë. Mosmbajta fort e veglës dhe e kutisë së baterisë mund të bëjë që t'ju rreshqasin nga duart dhe të shkaktojë dëmtim të veglës dhe të kutisë së baterisë, si dhe lëndime personal.

► Fig.1: 1. Treguesi i kuq 2. Butoni 3. Kutia e baterisë

Për të hequr kutinë e baterisë, rreshqiteni atë nga vegla ndërsa rreshqisni butonin në pjesën e përparme të kutisë së baterisë.

Për të vendosur kutinë e baterisë, bashkërenditni gjuhëzën e kutisë së baterisë me kanalën e folesë dhe rrethqiteni për ta futur. Futeni deri në fund, derisa të kërçasë dhe të bllokohet në vend. Nëse shikoni treguesin e kuq në anën e sipërme të butonit, ajo nuk është e bllokuar plotësisht.

**▲KUJDES:** Vendoseni gjithnjë plotësisht kutinë e baterisë derisa treguesi i kuq të mos duket. Në të kundërt, ajo mund të bjerë aksidentalisht nga vegla duke ju lënduar juve ose personin pranë jush.

**▲KUJDES:** Mos e vendosni me forcë kutinë e baterisë. Nëse kutia nuk hyn lehtë, nuk po e futni siç duhet.

## Sistemi i mbrojtjes së veglës/ baterisë

Vegla është e pajisur me një sistem të mbrojtjes së veglës/baterisë. Ky sistem ndërpret automatikisht energjinë në motor për të zgjatur jetëgjatësinë e veglës dhe baterisë.

Vegla do të ndalojë automatikisht gjatë punës nëse vegla ose bateria janë vendosur sipas një prej kushteve të mëposhtme. Llamba e treguesit ndizet në rrethana të caktuara.

► **Fig.2:** 1. Llamba e treguesit

## Mbrojtja nga mbingarkesa

Nëse vegla përdoret në mënyrë të tillë që të kërkojë nivele të larta anormale rryme, ajo ndalon automatikisht dhe treguesi i baterisë ndizet për rreth 60 sekonda. Në këtë situatë, fikeni veglën dhe ndaloni punën që shkaktoi mbingarkesën e veglës. Pastaj ndizeni veglën për ta rinisur.

## Mbrojtja ndaj mbinxehjes

Kur vegla/bateria mbinxehet, vegla fiket automatikisht dhe treguesi i baterisë ndizet për rreth 60 sekonda. Vegla nuk niset edhe nëse ndizni veglën. Në këtë situatë, lëreni baterinë të ftohet përpara se ta ndizni sërish.

## Mbrojtja nga mbishkarkimi

Treguesi pulson kur kapaciteti i mbetur i baterisë ulet. Nëse puna vazhdon, vegla ndalon dhe treguesi ndizet për rreth 60 sekonda. Nëse e ndizni veglën, motori ndizet sërish, por fiket shpejt. Në këtë rast, ngarkoni kutinë e baterisë.

**SHËNIM:** Koha në të cilën llamba fillon të ndizet varet nga temperatura në vendin e punës dhe gjendja e kutisë së baterisë.

## Treguesi i kapacitetit të mbetur të baterive

**Vetëm për kuti baterie me llambë**

► **Fig.3:** 1. Llambat treguese 2. Butoni i kontrollit Shtypni butonin e kontrollit në kutinë e baterisë për të treguar kapacitetin e mbetur të baterisë. Llambat treguese ndizen për pak sekonda.

Llambat treguese			Kapaciteti i mbetur
Ndezur	Fikur	Duke pulsuar	
■	□	▧	75% deri 100%
■	■	■	50% deri 75%
■	■	□	25% deri 50%
■	□	□	0% deri 25%
▧	□	□	Ngarkojeni baterinë.
■	■	□	Llambushka mund të ketë keqfunksionuar.
□	□	■	

**SHËNIM:** Në varësi të kushteve të përdorimit dhe të temperaturës së ambientit, treguesi mund të ndryshojë paksa nga kapaciteti aktual.

## Veprimi i ndërrimit

► **Fig.4:** 1. Butoni "ON" (ndezur)/butoni i ndërrimit të shpejtësisë 2. Butoni "OFF" (fikur)

Për të ndezur pastruesin, thjesht shtypni butonin "ON" (ndezur)/butonin e ndryshimit të shpejtësisë. Për ta fikur, shtypni butonin "OFF" (fikur). Mund ta ndryshoni shpejtësinë e pastruesit me tre hapa duke shtypur butonin "ON" (ndezur)/butonin e ndërrimit të shpejtësisë.

Shtypja e parë e këtij butoni është për regjimin me shpejtësi të lartë, shtypja e dytë për regjimin me shpejtësi maksimale dhe shtypja e tretë për shpejtësinë normale. Çdo shtypje e këtij butoni përsërit ciklin e shpejtësisë së lartë/maksimale/të ulët në mënyrë të alternuar.

## MONTIMI

**▲KUJDES:** Sigurohuni gjithmonë që vegla të jetë e fikur dhe kutia e baterisë të jetë hequr përpara se të kryeni ndonjë punë në vegël.

## Qesja e pluhurit dhe filtri prej letre

Vendosni qesen e pluhurit ose filtrin prej letre para se ta përdorni pastruesin.

Përdorni ndaluesin e pluhurit kur vendosni qesen e letrës ose filtrin prej letre.

Qesja e pluhurit mund të përdoret shumë herë nëpërmjet pastrimit.

Filtri prej letre është me një përdorim. Flakeni të gjithë filtrin prej letre pa e boshatisur kur të jetë mbushur.

**VINI RE:** Për të parandaluar hyrjen e pluhurit në motor:

- Sigurohuni që qesja e pluhurit ose filtri prej letre të instalohet përpara përdorimit.
- Fusni ndaluesin e pluhurit së bashku me qesen prej letre ose filtrin prej letre deri në fund në vrimat kur e vendosni.
- Mos përdorni qese të prishura ose të grisura.

Ndryshe motori mund të prishet.

**VINI RE:** Mos e palosni kartonin te pjesa e hapur kur vendosni filtrin prej letre.

**VINI RE:** Kurrë mos e flakni ndaluesin e pluhurit pasi duhet të përdoret vazhdimisht kurdoherë që përdoret qesja e pluhurit ose filtri prej letre.

**VINI RE:** Filtri prej letre për pastruesin është një pjesë përbërëse e rëndësishme për mirëmbajtjen e performancës së veglës. Përdorimi i filtrave të tjerë prej letre përveç atyre originalë mund të shkaktojë tym ose zjarr.

## Vendosja e qeses së pluhurit

Përdorni ndaluesin e pluhurit kur të vendosni qesen e pluhurit. Kini kujdes të mos ngatërmoni pjesën e sipërme nga pjesa e poshtme pasi kanë ndryshim nga njëri-tjetri.

► **Fig.5:** 1. Ana e sipërme e ndaluesit të pluhurit  
2. Ana e poshtme e ndaluesit të pluhurit

1. Futni pjesën e dalë të qeses së pluhurit në kanalën e ndaluesit të pluhurit siç tregohet në figurë.

Qesja e pluhurit nuk bën dallim ndërmjet pjesës së sipërme dhe të poshtme. Mund të fusni pjesën e dalë të çdo ane në kanalën e ndaluesit të pluhurit.

► **Fig.6:** 1. Ndaluesi i pluhurit 2. Kanali 3. Qesja e pluhurit

2. Mbivendoseni kornizën e ndaluesit të pluhurit me atë të qeses së pluhurit.

► **Fig.7**

3. Vendoseni ndaluesin e pluhurit dhe qesen e pluhurit së bashku në zgavrën e pastrimit në të njëjtin drejtim me shigjetën mbi ndaluesin e pluhurit. Futini deri në fund të foleve të zgavrës së pastrimit.

► **Fig.8:** 1. E çara

4. Vendoseni të gjithë pjesën e qeses së pluhurit brenda vetë pastruesit.

► **Fig.9**

5. Mbylleni plotësisht kapakun e kutisë së pluhurit.

► **Fig.10:** 1. Kapaku i kutisë së pluhurit

**SHËNIM:** Kur qesja e pluhurit nuk është e instaluar në fshesë, kapaku i kutisë së pluhurit nuk mbyllet plotësisht.

## Instalimi i filtrit prej letre

Përdorni edhe ndaluesin e pluhurit kur të vendosni filtrin prej letre. Kini kujdes të mos ngatërmoni pjesën e sipërme nga pjesa e poshtme pasi kanë ndryshim nga njëri-tjetri.

► **Fig.11:** 1. Ana e sipërme e ndaluesit të pluhurit  
2. Ana e poshtme e ndaluesit të pluhurit

1. Çmbështillni grykën e filtrit prej letre para se ta vendosni mbi ndaluesin e pluhurit.

► **Fig.12**

2. Futni pjesën e dalë të filtrit prej letre në kanalën e ndaluesit të pluhurit siç tregohet në figurë.

Filtri prej letre nuk bën dallim ndërmjet pjesës së sipërme dhe të poshtme. Mund të fusni pjesën e dalë të çdo ane në kanalën e ndaluesit të pluhurit.

► **Fig.13:** 1. Ndaluesi i pluhurit 2. Kanali 3. Filtri prej letre

3. Mbivendoseni kornizën e ndaluesit të pluhurit me atë të filtrit prej letre.

► **Fig.14**

4. Vendoseni ndaluesin e pluhurit dhe filtrin prej letre së bashku në zgavrën e pastrimit në të njëjtin drejtim me shigjetën mbi ndaluesin e pluhurit. Futini deri në fund të foleve të zgavrës së pastrimit.

► **Fig.15:** 1. E çara

5. Vendoseni të gjithë pjesën e filtrit prej letre brenda vetë veglës.

► **Fig.16**

6. Mbylleni plotësisht kapakun e kutisë së pluhurit.

► **Fig.17:** 1. Kapaku i kutisë së pluhurit

**SHËNIM:** Kur filtri prej letre nuk është i instaluar në fshesë, kapaku i kutisë së pluhurit nuk mbyllet plotësisht.

## Vendosja e rripit të krahut

**▲KUJDES:** Tregoni kujdes që rripi i krahut të mos ju ngeçë në objekte rrotull jush.

**▲KUJDES:** Tregoni kujdes që të mos ju rrëshqasë rripi i krahut nga krahu kur përdorni fshesën. Për përdorimin e qëndrueshëm të fshesës suaj, rekomandojmë që ta mbani rripin e krahut të kaluar përpara krahavorit.

Lidhni grepat e rripit të krahut në bazamentet e fshesës siç tregohet në figurë.

► **Fig.18:** 1. Rripi i krahut 2. Grepit 3. Bazamenti

**SHËNIM:** Gjithashtu mund të bashkoni rripin e krahut te çanta e butë (aksesor opsional) siç ilustrohet.

► **Fig.19:** 1. Rripi i krahut 2. Çanta e butë

## PËRDORIMI

**▲KUJDES:** Gjithmonë mbajeni dorezën kur transportoni fshesën. Nëse e mbani nga ana e aksesorit për ta transportuar, ai mund të shkëputet nga fshesa dhe të rezultojë në lëndime personale.

**▲KUJDES:** Mos e përdorni pajisjen ndërkohë që drejtoni makinën ose nëse motori është i ndezur.

**▲KUJDES:** Mos e kapni xhunton e zorrës siç tregohet në figurë. Mbjajtja e xhuntos së zorrës mund t'ju kapë gishtin.

► **Fig.20:** 1. Xhuntoja e zorrës

## Përdorimi si fshesë me korrent

**SHËNIM:** Hiqni aksesoren e fryrësës përpara se të fshini me fshesën me korrent. Nëse aksesori i fryrësës është bashkuar me fshesën, do të reduktohet fuqia e thithjes.

### Instalimi ose heqja e aksesorit të fshesës

Për të lidhur një aksesori, si p.sh. hundëzën, rrotullojeni dhe futeni mirë te zorra. Për ta shkëputur, rrotullojeni dhe hiqeni. Mënyra e instalimit varion në varësi të hundëzave siç illustrohet.

► **Fig.21:** 1. Zorra 2. Zorra prej gome 3. Furça e butë 4. Hundëza e ndenjësive 5. Hundëza e tapetit

### Fshirja me fshesë me korrent

#### Zorra prej gome

Kjo hundëz është praktikë për pastrimin e qosheve të poshtme si p.sh. xhepave të dyerve rrëshqitëse. Hundëza prej gome është delikate me sipërfaqen e pastrimit.

► **Fig.22:** 1. Zorra prej gome

#### Furça e butë

Kjo hundëz është praktikë për pastrimin e grilave, paneleve të kondicionerit etj. Koka e furçës së butë mund të kthehet në kënd të drejtë.

► **Fig.23:** 1. Furça e butë

#### Hundëza e ndenjësive

Kjo hundëz ka furçë pushi për të pastruar sipërfaqen e ndenjësive. Furça anësore në hundëz është e dobishme për të fshirë pluhurin nga tegelat.

► **Fig.24:** 1. Hundëza e ndenjësive 2. Furça anësore

#### Hundëza e tapetit

Kjo hundëz përdoret për të pastruar tapetët dhe qilimat. Dhëmbi në hundëz ndihmon nxjerrjen e grimcave të rërës.

► **Fig.25:** 1. Hundëza e tapetit

**VINI RE:** Gjithmonë përdorni hundëzën e tapetit për të pastruar një tapet. Përdorimi i hundëzës së tapetit për materiale të tjera mund të gërvishë sipërfaqen e saj.

#### Pastrimi pa hundëz

Mund ta kryeni pastrimin me fshesë me korrent pa hundëz.

► **Fig.26**

## Flakja e pluhurit

**▲KUJDES:** Zbrazeni qesen e pluhurit ose zëvendësojeni filtrin prej letre përpara se të mbushet. Nëse jo, forca e thithjes/fryrjes dobësohet.

**▲KUJDES:** Kur mbyllni kapakun e kutisë së pluhurit, kini kujdes të mos ju ngecin gishtat.

**VINI RE:** Kurrë mos e flakni ndaluesin e pluhurit pasi duhet të përdoret kurdoherë që përdoret qesja e pluhurit ose filtri i pluhurit.

**VINI RE:** Kur qesja e pluhurit/filtri prej letre nuk është brenda në fshesë, kapaku i kutisë së pluhurit nuk mbyllet plotësisht. Mos e mbyllni me forcë kapakun e kutisë së pluhurit. Kjo mund të rezultojë në deformim ose thyerje të vegjlës.

**VINI RE:** Kur hidhni pluhurin, pastroni gjithashtu dhomën për qesen e pluhurit/filtrin prej letre. Pluhuri dhe papastërtitë e mbetura në dhomë mund të shkaktojnë bllokimin e filtrit prej sfungjeri ose dëmtimin e motorit.

1. Hapeni kapakun e kutisë së pluhurit.

► **Fig.27:** 1. Kapaku i kutisë së pluhurit

2. Nxirreni ndaluesin e pluhurit me ngjyrë portokalli dhe qesen e pluhurit/filtrin prej letre në të njëjtën kohë.

► **Fig.28:** 1. Ndaluesi i pluhurit

3. Kur përdorni qesen e pluhurit

Hiqni ndaluesin e pluhurit dhe boshatiseni qesen e pluhurit.

► **Fig.29:** 1. Ndaluesi i pluhurit 2. Qesja e pluhurit

**Kur përdorni filtrin prej letre**

Hiqni ndaluesin e pluhurit dhe hidhni filtrin prej letre.

► **Fig.30:** 1. Ndaluesi i pluhurit 2. Filtri prej letre

4. Bashkoni qesen e pluhurit/filtrin e ri prej letre dhe ndaluesin e pluhurit në fshesë dhe mbyllni kapakun e kutisë së pluhurit.

## Përdorimi si fryrëse

**▲KUJDES:** Mos e drejtoni kurrë hundëzën drejt të tjerëve përreth.

**▲KUJDES:** Për të parandaluar thithjen e pluhurit, rekomandohet të hapni dritaret dhe të vishni syze mbrojtëse dhe maskë gjatë përdorimit.

**▲KUJDES:** Mos e tërhiqni aksesoren e fryrësës. Ai mund të dalë nga fshesa.

**▲KUJDES:** Mos e përdorni fshesën për të fryrë sende, p.sh. si varkat e gomës, topat ose produkte të tjera që fryhen. Rrotullimet e shtuara të motorit mund të shkaktojnë dëmtime të rrezikshme të ventilatorit.

**▲KUJDES:** Mos e bllokoni kurrë folenë e thithjes dhe/ose daljen e fryrësës. Bëni kujdes të mos e bllokoni hyrjen e thithjes ose të fryrjes me pluhura apo papastërti, kur punoni në zonë me pluhura.

**▲KUJDES:** Mos përdorni grykëza të ndryshme nga ato që ofrohen nga Makita.

### Instalimi ose heqja e aksesorit të fryrësës

Për të bashkuar aksesoren e fryrësës, bashkërenditni pjesën e dalë të portës së aksesorit të fryrësës me kanalën në grilë, më pas shtyjeni derisa të kërçasë lehtë.

► **Fig.31:** 1. Aksesori i fryrësës

Për të hequr aksesoren e fryrësës, tërhiqni poshtë portën ndërkohë që shtypni pjesën e sipërme siç illustrohet.

► **Fig.32**



## Fryrja

Drejtojeni majën e aksesorit të fryrësës drejt objektit që do të fryhet dhe ndizni veglën.

► Fig.33

## MIRËBAJTJA

**▲KUJDES:** Sigurohuni gjithmonë që vegla të jetë fikur dhe të jetë hequr nga bateria përpara se të kryeni inspektimin apo mirëmbajtjen.

**VINI RE:** Mos përdorni kurrë benzinë, benzinë pastrimi, hollues, alkool dhe të ngjashme. Mund të shkaktoni çngjyrosje, deformime ose krisje.

Për të ruajtur SIGURINË dhe QËNDRUESHMËRINË, riparimet dhe çdo mirëmbajtje apo rregullim tjetër duhen kryer nga qendrat e autorizuar të shërbimit ose të shërbimit të fabrikës së Makita-s, duke përdorur gjithnjë pjesë këmbimi të Makita-s.

### Pastrimi

Herë pas here fshijeni pjesën e jashtme (trupin e pastruesit) të pastruesit duke përdorur një leckë të njomur me ujë me sapun.

Gjithashtu pastroni edhe grykën e thithjes, zonën e montimit të qesës së pluhurit/filtrit prej letre dhe ndaluesin e pluhurit.

► Fig.34

Lajeni qeskën e pluhurit me ujë dhe sapun kur bllokohet me pluhur dhe ulet fuqia e pastruesit. Thajeni plotësisht para përdorimit. Filtri i patharë mirë mund të shkaktojë thithje të dobët dhe të shkurtojë jetëgjatësinë e shërbimit të motorit.

► Fig.35

**SHËNIM:** Filtri prej letre është me një përdorim.

Kur bllokohet filtri sfungjer me pluhur, hiqeni nga pastruesi dhe fshijeni ose lajeni me ujë.

## Heqja dhe instalimi i filtrit sfungjer

**▲KUJDES:** Pas pastrimit të filtrit sfungjer, sigurohuni që ta instaloni mbi pastrues. Nëse e lani me ujë, thajeni para se ta vendosni përsëri. Një filtër sfungjer i patharë mjaftueshëm mund të shkurtojë jetëgjatësinë e shërbimit të motorit.

Për të hequr filtrin sfungjer, hiqni qesën e pluhurit ose filtrin prej letre dhe nxirreni jashtë.

► Fig.36: 1. Filtri sfungjer

Shtypni gjithë cepin e filtrit sfungjer drejt murit të lugët brenda zonës së montimit të qesës së pluhurit/filtrit prej letre.

► Fig.37: 1. Muri i lugët

### Magazini

**▲PARALAJMËRIM:** Asnjëherë mos e lini kutinë e baterisë dhe karikuesin në makinë. Temperatura brenda makinës që qëndron në diell mund të tejkalojë 50 °C (122 °F). Kjo mund të shkaktojë dëmtim të kutisë së baterisë dhe mund të rezultojë në dalje të lëngjeve, tym ose zjarr.

► Fig.38

**▲PARALAJMËRIM:** Asnjëherë mos e përdorni karikuesin kur është i futur brenda çantës së magazinimit. Bllokimi i grilave të ajrimit mund të rezultojë në tym ose zjarr.

► Fig.39

**▲PARALAJMËRIM:** Asnjëherë mos e karikoni kutinë e baterisë me një inverter brenda makinës. Kjo mund të shkaktojë nxehtësi jonormale dhe zjarr.

**▲PARALAJMËRIM:** Asnjëherë mos e karikoni kutinë e baterisë në makinë. Nëse kutia e baterisë ekspozohet në temperatura jashtë gamës 10°C (50 °F) - 40°C (104 °F), mund të krijojë nxehtësi dhe/ose zjarr ose mund të shpërthejë.

**▲KUJDES:** Gjithmonë ruajeni zorrën siç tregohet për të shmangur pengimin, kur fshesa nuk përdoret. Zorra e shpalosur mund t'ju ngecë të këmbët dhe mund t'ju shkaktojë lëndime personale.

► Fig.40: 1. Grep 2. Zorra

## Zgjidhja e problemeve

Përpara se të kërkon riparime, kontrolloni pikat e mëposhtme.

Simptoma	Fusha që duhet hetuar	Metoda e rregullimit
Fuqi e ulët thithëse	A është mbushur plot qesja e pluhurit apo filtri prej letre?	Zbrazi qesën e pluhurit ose filtrin prej letre.
	A është bllokuar qesja e pluhurit?	Hiqni pluhurin ose lani qesën e pluhurit.
	A është bllokuar filtri prej letre?	Zëvendësojeni filtrin prej letre.
	Mos është mbaruar kutia e baterisë?	Karikoni kutinë e baterisë.
Nuk punon	Mos është mbaruar kutia e baterisë?	Karikoni kutinë e baterisë.
Kapaku i kutisë së pluhurit nuk mbyllet	A është e vendosur qesja e pluhurit apo filtri prej letre?	Vendosni qesën e pluhurit ose filtrin prej letre.

**VINI RE:** Mos u përpini ta riparoni vetë pastruesin.



# AKSESORË OPSIONALË

**⚠️KUJDES:** Këta aksesorë ose shtojca rekomandohen për përdorim me veglën Makita të përcaktuar në këtë manual. Përdorimi i aksesorëve apo shtojcave të tjera ndryshe nga këto mund të përbëjë rrezik lëndimi. Aksesorët ose shtojcat përdorini vetëm për qëllimin e tyre të përcaktuar.

Nëse keni nevojë për më shumë të dhëna në lidhje me aksesorët, pyesni qendrën vendore të shërbimit të Makita-s.

- Shkopi zgjatues (Tubi i drejtë)
- Hundëza
- Hundëza për tapete
- Furça e rafteve
- Hundëza me kënd
- Furça e rumbullakët
- Tubi fleksibël
- Filtri prej letre
- Grykëza e lirë
- Hundëza e folesë
- Hundëza për qoshet
- Aksesori Cyclone
- Qesja e pluhurit
- Qesja e pluhurit me performancë të lartë
- Çanta e butë
- Bateri dhe ngarkues origjinal Makita

**SHËNIM:** Disa artikuj të listës mund të përfshihen në paketën e veglës si aksesorë standardë. Ato mund të ndryshojnë nga njëri shtet në tjetrin.

## ПРЕДУПРЕЖДЕНИЕ

Този уред може да се използва от деца на възраст от 8 или повече години и от хора с намалени физически, сетивни или умствени възможности, или без опит и знания, ако те са под надзор или са били обучени относно безопасното използване на уреда и разбират възможните опасности. Децата не трябва да си играят с уреда. Почистването и техническото обслужване от потребителя не трябва да се извършват от деца без надзор.

## СПЕЦИФИКАЦИИ

Модел:		DCL184
Обем	с торба за прах	500 мл
	с хартиен филтър	330 мл
Непрекъсната употреба (с акумулаторна батерия BL1830B)	1 (режим на нормални обороти)	Прибл. 80 мин.
	2 (режим на високи обороти)	Прибл. 30 мин.
	3 (режим на максимални обороти)	Прибл. 20 мин.
Обща дължина (с батерия BL1830B)		365 мм
Номинално напрежение		Постоянно напрежение 18 V
Нетно тегло		1,8 - 2,2 кг

- Поради нашата непрекъсната научно-развойна дейност посочените тук спецификации могат да бъдат променени без предизвестие.
- Спецификациите може да са различни в различните държави.
- В теглото не са включени принадлежностите, а само акумулаторната/ите батерия/и. В таблицата са показани най-леката и най-тежката комбинации за тегло на уреда и акумулаторната/ите батерия/и.

## Приложима акумулаторна батерия и зарядно устройство

Акумулаторна батерия	BL1815N / BL1820 / BL1820B / BL1830 / BL1830B / BL1840 / BL1840B / BL1850 / BL1850B / BL1860B
Зарядно устройство	DC18RC / DC18RD / DC18RE / DC18SD / DC18SE / DC18SF / DC18SH

- Някои от акумулаторните батерии и зарядните устройства, посочени по-горе, може да не са налични в зависимост от региона на местоживеење.

**▲ ПРЕДУПРЕЖДЕНИЕ:** Използвайте само посочените по-горе акумулаторни батерии и зарядни устройства. Използването на други акумулаторни батерии и зарядни устройства може да причини нараняване и/или пожар.

## Символи

По-долу са описани символите, които може да се използват за тази машина. Задължително е да се запознаете с техните значения, преди да пристъпите към работа.



Прочетете ръководството за експлоатация.



Ni-MH  
Li-ion

Само за страни от ЕС  
Не изхвърляйте електрооборудване или акумулаторни батерии с битовите отпадъци! При спазване на Европейската директива относно отпадъците от електрическо и електронно оборудване и директивата относно батерии и акумулатори и отпадъците от батерии и акумулатори и приложението им съгласно националното законодателство, бракуваното електрическо оборудване и батерии и пакет(и) батерии трябва да се събират отделно и да се връщат в места за рециклиране, съобразени с изискванията за опазване на околната среда.

## Предназначение

Уредът е предназначен за събиране на сух прах.

## ПРЕДУПРЕЖДЕНИЯ ЗА БЕЗОПАСНОСТ

### Предупреждения за безопасност за акумулаторната прахосмукачка

**▲ ПРЕДУПРЕЖДЕНИЕ: ВАЖНО, ПРОЧЕТЕТЕ ВНИМАТЕЛНО всички предупреждения за безопасност и всички инструкции ПРЕДИ РАБОТА.** При пренебрегване на предупрежденията и инструкциите има опасност от токов удар, пожар и/или тежко нараняване.

1. Пазете машината от дъжд. Съхранявайте я вътре в помещението.
2. Не разрешавайте да се използва като играчка. Изисква се повишено внимание, когато се използва от или покрай деца.
3. Да се използва само в съответствие с описанието в ръководството. Да се използват само аксесоари, препоръчани от производителя.
4. Да не се използва с повредени акумулаторни батерии. Ако уредът не работи нормално, бил е изпуснат, повреден, оставен на открито или е паднал в близост до вода, изпратете го в център за обслужване.
5. Не пипайте уреда с мокри ръце.
6. Не поставяйте никакви предмети в отворите. Не го използвайте, когато има запушени отвори; пазете го от прах, конци, коса и всичко, което може да пречи на въздушния поток.
7. Дръжте косата си, свободното облекло, пръстите и останалите части от тялото далече от отвори и движещи се части.
8. Изключете всички органи за управление, преди да извадите акумулаторната батерия.
9. При почистване на стълби бъдете особено внимателни.
10. Не използвайте за събиране на възпламеними или горими течности като бензин или в места, където може да има такива материали.
11. За зареждане използвайте само зарядното устройство, доставено от производителя.
12. Не събирайте неща, които горят или пушат като цигари, кибритени клечки или гореца пепел.
13. Не използвайте без поставена торба за прах и/или филтри.
14. Не зареждайте акумулаторната батерия на открито.
15. Презареждайте само със зарядното устройство, което е посочено от производителя. Зарядно устройство, което е подходящо за едни акумулаторни батерии, може да създаде риск от пожар, ако се използва с други акумулаторни батерии.

16. Използвайте електрическите инструменти само с акумулаторни батерии, конкретно предназначени за тях. Използването на други акумулаторни батерии може да създаде риск от нараняване и пожар.
17. Когато акумулаторният пакет не се използва, дръжте го далеч от други метални предмети като кламери, монети, ключове, пирони, винтове или други дребни метални предмети, които могат да дадат накъсо двете клемми.
18. При грубо манипулиране е възможно изхвърляне на течност от батериите; избягвайте контакт с тях. При случайно докосване изплакнете с вода.
19. Не използвайте батерията или инструмента, който е повреден или променен. Повредените или променените батерии могат да проявяват непредвидимо поведение, което може да доведе до пожар, експлозия или опасност от нараняване.
20. Не излагайте батерията или инструмента на огън или прекомерна температура. Излагането на огън или температура над 130°C може да доведе до експлозия.
21. Спазвайте всички инструкции за зареждане и не зареждайте батерията или инструмента извън диапазона на температура, посочен в инструкциите. Неправилното зареждане или при температура извън посочения диапазон може да доведе до повреда на батерията и да повиши опасността от пожар.

## ЗАПАЗЕТЕ НАСТОЯЩИТЕ ИНСТРУКЦИИ.

### ДОПЪЛНИТЕЛНИ ПРАВИЛА ЗА БЕЗОПАСНОСТ

Този уред е за домакински цели.

1. Преди работа прочетете ръководството за експлоатация и ръководството за зарядното устройство.
2. Не събирайте с машината следните материали:
  - Горещи предмети като запалени цигари или искри/стърготини от метал, получавани при шлифоване/рязане на метал
  - Запалими материали като бензин, разредител, бензол, керосин или боя
  - Взривни материали като нитроглицерин
  - Възпламеними материали като алуминий, цинк, магнезий, титан, фосфор или целулоид
  - Мокра кал, вода, масло и подобни
  - Твърди парчета с остри ъгли като стружки, метали, камъни, стъкло, пирони, карфици и ножчета за бръснене
  - Буци от втвърден прах – цимент или тонер
  - Токопроводящ прах като от метал или въглерод
  - Фини частици като прах от бетон

Такива действия могат да предизвикат пожар, нараняване и/или щети на имущество.

3. Незабавно прекратете работата, ако забележите нещо необичайно.
4. Ако изпуснете или ударите прахосмукачката, внимателно я проверете за пукнатини или повреди, преди да работите с нея.
5. Не я използвайте близо до печки или други източници на топлина.
6. Не запушвайте отворите за засмукване или за вентилация.

## ЗАПАЗЕТЕ НАСТОЯЩИТЕ ИНСТРУКЦИИ.

### Важни инструкции за безопасност за акумулаторната батерия

1. Преди да използвате акумулаторната батерия, прочетете всички инструкции и предупредителни маркировки на (1) зарядното устройство за батериите, (2) за батериите и (3) за използвания батериите продукт.
2. Не разглобявайте и не променяйте акумулаторната батерия. Това може да предизвика пожар, прегряване или взрив.
3. Ако мощността на машината намалее много, веднага спрете да работите. Това може да доведе до риск от прегряване, до възможни изгаряния и даже до експлозии.
4. Ако в очите ви попадне електролит, изплакнете ги с чиста вода и веднага потърсете лекарска помощ. Това може да доведе до загуба на зрението ви.
5. Не давайте на късо акумулаторните батерии:
  - (1) Не докосвайте клемите с проводими материали.
  - (2) Избягвайте съхраняването на акумулаторните батерии в контейнер с други метални предмети като пирони, монети и други подобни.
  - (3) Не излагайте акумулаторните батерии на вода или дъжд.Закъсяването на акумулаторна батерия може да доведе до протичане на много силен ток, до прегряване, до възможни изгаряния и даже до разпадане на батерията.
6. Не съхранявайте и не използвайте инструмента и акумулаторните батерии на места, където температурата може да достигне или надмине 50 °C (122 °F).
7. Не изгаряйте акумулаторните батерии даже и ако те са сериозно повредени или напълно износени. Акумулаторната батерия може да експлодира в огън.
8. Не забивайте пирони, не режете, не смачквайте, не хвърляйте, не изпускате и не удрийте в твърд предмет акумулаторната батерия. Това поведение може да предизвика пожар, прегряване или взрив.
9. Не използвайте повредени акумулаторни батерии.

10. Съдържащите се литиево-йонни акумулаторни батерии са обект на изискванията на законодателството за опасни стоки. При търговски превози, напр. от трети страни, следитори, трябва да се спазват специални изисквания за опаковане и етикетирание. За подготовка на артикула, който трябва да бъде изпратен, е необходима консултация с експерт по опасните материали. Моля, спазвайте и евентуално по-подробните национални разпоредби. Запелете с лента или покрийте откритите контакти и опаковайте акумулаторната батерия по такъв начин, че да не може да се премества в опаковката.
11. При изхвърляне на акумулаторната батерия я извадете от инструмента и я изхвърлете на подходящо място. Спазвайте местните разпоредби за изхвърляне на акумулаторни батерии.
12. Използвайте батериите само с продуктите, определени от Makita. Поставянето на батериите към неодобрен продукт може да предизвика пожар, прегряване, взрив или изтичане на електролит.
13. Ако инструментът няма да се използва продължително време, батерията трябва да се извади от него.
14. По време на и след употреба акумулаторната батерия може да поеме топлина, която може да причини изгаряния или нискотемпературни изгаряния. Внимавайте, когато боравите с горещите акумулаторни батерии.
15. Не докосвайте клемата на инструмента веднага след употреба, тъй като е възможно да е достатъчно нагрята, за да предизвика изгаряния.
16. Не позволявайте стружки, прах или почва да полепват по клемите, отворите и каналите на акумулаторната батерия. Това може да доведе до лоши работни характеристики или повреда на инструмента или акумулаторната батерия.
17. Освен ако инструментът поддържа използването в близост до високоволтови електропроводи, не използвайте акумулаторната батерия близо до високоволтови електропроводи. Това може да доведе до неизправност или повреда на инструмента или акумулаторната батерия.
18. Пазете батерията от деца.

## ЗАПАЗЕТЕ НАСТОЯЩИТЕ ИНСТРУКЦИИ.

**▲ВНИМАНИЕ:** Използвайте само оригинални акумулаторни батерии на Makita. При използване на различни от акумулаторните батерии на Makita или стари акумулаторни батерии може да се получи пръскане на акумулаторната батерия, което да доведе до пожар, нараняване или повреда. Това също ще анулира гаранцията на Makita за инструмента и зарядното устройство Makita.

## Съвети за поддържане на максимално дълъг живот на акумулаторните батерии

1. Зареждайте акумулаторните батерии, преди те да са се разредили напълно. Когато забележите, че мощността на инструмента намалява, винаги спирайте работата с инструмента и заредете акумулаторната батерия.
2. Никога не презареждайте напълно заредена акумулаторна батерия. Презарядът скъсява експлоатационния живот на батерията.
3. Зареждайте акумулаторната батерия при стайна температура от 10 °C – 40 °C (50 °F – 104 °F). Оставете загретите акумулаторни батерии да се охладят, преди да ги зареждате.
4. Когато не използвате акумулаторната батерия, извадете я от инструмента или зарядното устройство.
5. Заредете акумулаторната батерия, ако не сте го използвали дълъг период от време (повече от шест месеца).

## ОПИСАНИЕ НА ФУНКЦИИТЕ

**⚠ВНИМАНИЕ:** Винаги проверявайте дали инструментът е изключен и касетата с акумулаторната батерия е извадена, преди да регулирате или проверявате дадена функция на инструмента.

**⚠ВНИМАНИЕ:** Внимавайте да не прищипете пръстите си между прахосмукачката и акумулаторната батерия, когато зареждате батерията. Прищипването на пръсти може да предизвика нараняване.

## Поставяне и изваждане на акумулаторната батерия

**⚠ВНИМАНИЕ:** Винаги изключвайте инструмента преди поставяне или изваждане на акумулаторната батерия.

**⚠ВНИМАНИЕ:** Когато инсталирате или изваждате акумулаторната батерия, дръжте здраво инструмента и акумулаторната батерия. Ако не държите здраво инструмента и акумулаторната батерия, те могат да се изплъзнат от ръцете ви и да доведат до повреждане на инструмента и акумулаторната батерия или нараняване.

- **Фиг.1:** 1. Червен индикатор 2. Бутон  
3. Акумулаторна батерия

За да извадите акумулаторната батерия, я плъзнете извън инструмента, плъзгайки същевременно бутона в предната част на акумулаторната батерия.

За да поставите акумулаторната батерия, изравнете езичето на акумулаторната батерия с жлеба в корпуса и го плъзнете на мястото му. Вмъкнете го докрай, докато ключалката го задържи на място с малко прищрапване. В случай че виждате червения индикатор в горната част на бутона, това означава, че тя не е фиксирана напълно на мястото си.

**⚠ВНИМАНИЕ:** Винаги вмъквайте акумулаторната батерия докрай, така че червеният индикатор да се скрие. В противен случай тя може неволно да изпадне от инструмента, което може да нарани вас или някого около вас.

**⚠ВНИМАНИЕ:** Не инсталирайте акумулаторната батерия със сила. Ако батерията не се движи свободно, тя не е била поставена правилно.

## Система за защита на инструмента / акумулаторната батерия

Инструментът е оборудван със система за защита на инструмента/акумулаторната батерия. Тази система автоматично прекъсва захранването към електромотора, за да осигури по-дълъг живот на инструмента и акумулаторната батерия. Инструментът ще спре автоматично по време на работа, ако той или батерията са поставени при едно от следните условия. В някои случаи, светлинен индикатор ще светнат.

► **Фиг.2:** 1. Светлинен индикатор

## Защита срещу претоварване

Когато с инструмента се работи по начин, който го принуждава да консумира необичайно много ток, инструментът автоматично спира и светлинният индикатор светва за около 60 секунди. В такъв случай изключете инструмента и прекратете използването му по начина, който го претоварва. След това включете инструмента за повторно стартиране.

## Защита срещу прегряване

При прегряване на инструмента/батерията той ще спре автоматично, а индикаторът на акумулаторната батерия ще свети за около 60 секунди. Инструментът няма да стартира, дори ако го включите. При това положение оставете акумулаторната батерия да изстине, преди да включите инструмента отново.

## Защита срещу прекомерно разреждане

Когато оставащият капацитет на акумулаторната батерия спадне, индикаторът мига. Ако продължите да използвате инструмента, той ще спре, а индикаторът на акумулаторната батерия ще свети за около 60 секунди. Ако включите инструмента, двигателят стартира, но скоро след това спира. В тази ситуация е необходимо да заредите акумулаторната батерия.

**ЗАБЕЛЕЖКА:** Моментът, в който лампата светне, зависи от температурата в работния участък и от състоянието на акумулаторната батерия.

## Индикация на оставащия капацитет на акумулаторната батерия

Само за акумулаторни батерии с индикатор

► Фиг.3: 1. Светлинни индикатори 2. Бутон за проверка

Натиснете бутона за проверка на акумулаторната батерия за показване на оставащия заряд на батерията. Светлинните индикатори ще светнат за няколко секунди.

Светлинни индикатори			Оставащ заряд на батерията
Свети	Изкл.	Мига	
■	□	▬	
■ ■ ■ ■			75% до 100%
■ ■ ■ □			50% до 75%
■ ■ □ □			25% до 50%
■ □ □ □			0% до 25%
▬ □ □ □			Заредете батерията.
■ ■ □ □			Батерията може да не работи правилно.
□ □ ■ ■	↑ ↓		

**ЗАБЕЛЕЖКА:** В зависимост от условията на употреба и околната температура е възможно показанията леко да се различават от действителния капацитет.

## Включване

► Фиг.4: 1. Бутон за промяна на скоростта/ВКЛ.  
2. Бутон за ИЗКЛ.

За да стартирате прахосмукачката, просто натиснете бутона за промяна на скоростта/ВКЛ. За изключване натиснете бутона за ИЗКЛ.

Можете да промените скоростта на прахосмукачката в три стъпки, като натиснете бутона за промяна на скоростта/ВКЛ.

Първото натискане на този бутон е за режим на високи обороти, второто натискане е за максимални обороти, а третото натискане е за нормални обороти. При всяко натискане на този бутон цикълът високи/максимални/нормални обороти се повтаря поредно.

## СГЛОБЯВАНЕ

**⚠ ВНИМАНИЕ:** Преди да извършите някакви дейности по инструмента, задължително проверете дали той е изключен и акумулаторната батерия е извадена.

## Торба за прах или хартиен филтър

Преди да използвате прахосмукачката, поставете торба за прах или хартиен филтър. Използвайте прахоуловителя, когато поставяте торба за прах или хартиения филтър. Торбата за прах може да се използва за многократна употреба след почистване. Хартиеният филтър се изхвърля след употреба. След като се напълни, изхвърляйте целия хартиен филтър, без да го изпразвате.

**БЕЛЕЖКА:** За да предотвратите навлизането на прах в мотора:

- Уверете се, че торбата за прах и хартиеният филтър са поставени преди употреба.
- Поставете прахоуловителя заедно с торбата за прах или хартиения филтър напълно в прорезите, когато ги монтирате.
- Не използвайте повредена или скъсана торба.

В противен случай моторът може да се счупи.

**БЕЛЕЖКА:** При поставяне на хартиения филтър не прегъвайте картоната при входната му част.

**БЕЛЕЖКА:** Никога не изхвърляйте прахоуловителя, защото той трябва да се използва многократно винаги при използване на торбата за прах или хартиения филтър.

**БЕЛЕЖКА:** Хартиеният филтър за прахосмукачката е важна част за поддържане на характеристиките на инструмента. Използването на различен от оригинален хартиен филтър може да доведе до пушек или възпламеняване.

## Поставяне на торба за прах

Използвайте прахоуловителя, когато поставяте торбата за прах. Внимавайте да не събъркате и да размените горната и долната страна, защото те са различни.

► Фиг.5: 1. Горна страна на прахоуловителя  
2. Долна страна на прахоуловителя

1. Поставете издадената част на торбата за прах в канала на прахоуловителя, както е показано на фигурата.

Няма разлика между горната и долната страна на торбата за прах. Можете да поставите издадената ѝ част от която и да било страна в канала на прахоуловителя.

► Фиг.6: 1. Прахоуловител 2. Канал 3. Торба за прах

2. Припокрийте рамката на прахоуловителя с тази на торбата за прах.

► **Фиг.7**

3. Поставете прахоуловителя заедно с торбата за прах във вътрешното пространство на прахосмукачката в същата посока на стрелката като на прахоуловителя. Поставете ги напълно в прорезите във вътрешното пространство на прахосмукачката.

► **Фиг.8:** 1. Отвор

4. Поставете цялата платнена част на торбата за прах в самата прахосмукачка.

► **Фиг.9**

5. Затворете напълно капака на контейнера за прах.

► **Фиг.10:** 1. Капак на контейнера за прах

**ЗАБЕЛЕЖКА:** Ако торбата за прах не е поставена в прахосмукачката, капакът на контейнера за прах няма да се затваря напълно.

## Поставяне на хартиения филтър

Използвайте прахоуловителя и когато поставяте хартиения филтър. Внимавайте да не сбъркате и да размените горната и долната страна, защото те са различни.

► **Фиг.11:** 1. Горна страна на прахоуловителя  
2. Долна страна на прахоуловителя

1. Развийте входната част на хартиения филтър, преди да го сложите към прахоуловителя.

► **Фиг.12**

2. Поставете издадената част на хартиения филтър в канала на прахоуловителя, както е показано на фигурата.

Няма разлика между горната и долната страна на хартиения филтър. Можете да поставите издадената и част от която и да било страна в канала на прахоуловителя.

► **Фиг.13:** 1. Прахоуловител 2. Канал 3. Хартиен филтър

3. Припокрийте рамката на прахоуловителя с тази на хартиения филтър.

► **Фиг.14**

4. Поставете прахоуловителя заедно с хартиения филтър във вътрешното пространство на прахосмукачката в същата посока по стрелката като на прахоуловителя. Поставете ги напълно в прорезите във вътрешното пространство на прахосмукачката.

► **Фиг.15:** 1. Отвор

5. Поставете цялата част на съда на хартиения филтър в самия уред.

► **Фиг.16**

6. Затворете напълно капака на контейнера за прах.

► **Фиг.17:** 1. Капак на контейнера за прах

**ЗАБЕЛЕЖКА:** Ако хартиеният филтър не е монтиран в прахосмукачката, капакът на контейнера за прах няма да се затваря напълно.

## Монтиране на ремъка за рамо

**⚠ВНИМАНИЕ:** Внимавайте ремъкът за рамо да не бъде захванат от околните предмети.

**⚠ВНИМАНИЕ:** Внимавайте ремъкът за рамо да не се изплъзне от рамото ви, докато използвате прахосмукачката. За стабилно боравене с прахосмукачката се препоръчва да кръстосате ремъка за рамо отпред на гърдите си.

Закрепете карабинките на ремъка за рамо към държачите на прахосмукачката, както е показано на фигурата.

► **Фиг.18:** 1. Раменен ремък 2. Карабинка  
3. Държач

**ЗАБЕЛЕЖКА:** Можете също да прикрепите ремъка за рамо към меката чанта (допълнителен аксесоар), както е показано.

► **Фиг.19:** 1. Раменен ремък 2. Мека чанта

## Експлоатация

**⚠ВНИМАНИЕ:** Винаги дръжте ръкохватката, когато носите прахосмукачката. Ако държите накрайника, за да носите прахосмукачката, той може да изпадне от прахосмукачката и да причини телесно нараняване.

**⚠ВНИМАНИЕ:** Не използвайте уреда, докато шофирате автомобил или двигателят работи.

**⚠ВНИМАНИЕ:** Не хващайте съединението на маркуча, както е показано на фигурата. Ако държите съединението на маркуча, може да прищипете пръстите си.

► **Фиг.20:** 1. Съединение на маркуча

## Използване като прахосмукачка

**ЗАБЕЛЕЖКА:** Отстранете накрайника на въздуходувката преди почистване с прахосмукачката. Ако накрайникът на въздуходувката е прикрепен към прахосмукачката, смукателната мощност ще спадне.

## Поставяне или отстраняване на накрайника на прахосмукачката

За свързване на приставка, като например накрайник, завъртете и го поставете надеждно в края на маркуча. За да го извадите, завъртете го и го издърпайте.

Начинът на монтаж зависи от накрайниците, както е показано на изображението.

► **Фиг.21:** 1. Маркуч 2. Гумен накрайник 3. Мека четка 4. Накрайник за седалки  
5. Накрайник за под



## Прахосмукачка

### Гумен накрайник

Този накрайник е удобен за почистване на ъглите на пода, като например джоба на плъзгаща врата. Гуменият накрайник почиства нежно повърхностите.

► **Фиг.22:** 1. Гумен накрайник

### Мека четка

Този накрайник е удобен за почистването на вентилационните отвори на климатик, арматурно табло и т.н. Главата на меката четка може да бъде завъртяна до правилния ъгъл.

► **Фиг.23:** 1. Мека четка

### Накрайник за седалки

Този накрайник има четка за власинки, за да почистите повърхността на седалките. Страничната четка на накрайника е полезна, за извличането на праха от шевовете.

► **Фиг.24:** 1. Накрайник за седалки 2. Странична четка

### Накрайник за под

Този накрайник се използва за почистване на подови настилки и килими. Зъбците на накрайника му позволяват да събира песьчинки.

► **Фиг.25:** 1. Накрайник за под

**БЕЛЕЖКА:** Винаги използвайте накрайник за под за почистване на подови настилки. При използване на накрайника за почистване на други материали може да се надраска повърхността му.

### Чистене без накрайник

Можете да чистите и без накрайник.

► **Фиг.26**

### Изхвърляне на праха

**ВНИМАНИЕ:** Изпразнете торбата за прах или сменете хартиения филтър, преди да се напълни. В противен случай силата на засмукване/издухване ще отслабне.

**ВНИМАНИЕ:** При затваряне на капака на контейнера за прах внимавайте да не прищипете пръстите си.

**БЕЛЕЖКА:** Никога не изхвърляйте прахоуловителя, защото той трябва да се използва винаги при използване на торбата за прах или хартиения филтър.

**БЕЛЕЖКА:** Ако торбата за прах/хартиения филтър не е монтиран/а в прахосмукачката, капакът на контейнера за прах няма да се затваря напълно. Не натискайте, за да затворите капака на контейнера за прах. Това може да доведе до деформиране или счупване на инструмента.

**БЕЛЕЖКА:** При изхвърляне на праха почиствате също и зоната за торбата за прах/хартиения филтър. Остатъчните прах и замърсявания могат да причинят запушване на филтъра-гъба или повреда на двигателя.

1. Отворете капака на контейнера за прах.

► **Фиг.27:** 1. Капак на контейнера за прах

2. Издърпайте едновременно оранжевия прахоуловител заедно с торбата за прах/хартиения филтър.

► **Фиг.28:** 1. Прахоуловител

3. Когато използвате торбата за прах

Отстранете прахоуловителя и изпразнете торбата за прах.

► **Фиг.29:** 1. Прахоуловител 2. Торба за прах

Когато използвате хартиения филтър

Отстранете прахоуловителя и изхвърлете хартиения филтър.

► **Фиг.30:** 1. Прахоуловител 2. Хартиен филтър

4. Поставете торбата за прах/новия хартиен филтър и прахоуловителя заедно в прахосмукачката и затворете капака на контейнера за прах.

### Използване като въздуходувка

**ВНИМАНИЕ:** Никога не насочвайте накрайника към човек, намиращ се в близост.

**ВНИМАНИЕ:** За да се предотврати вдихването на прах, се препоръчва да се отворят прозорците, а освен това по време на работа да се носят предпазни очила и маска.

**ВНИМАНИЕ:** Не дърпайте приставката на въздуходувката. Тя може да се извади от прахосмукачката.

**ВНИМАНИЕ:** Никога не използвайте прахосмукачката за напомпване на изделия, например гумени лодки за рафтинг, топки или други надуваеми продукти. Повишените обороти на електродвигателя могат да предизвикат опасно счупване на вентилатора.

**ВНИМАНИЕ:** Никога не запушвайте смукателния отвор /или отвора за издухване. Когато работите в запрашена зона, внимавайте да не запушите смукателния отвор или отвора за издухване с прах или замърсявания.

**ВНИМАНИЕ:** Не използвайте накрайници, които не са предоставени от Makita.

### Поставяне или отстраняване на накрайника на въздуходувката

За да поставите накрайника на въздуходувката, центрирайте излъкналата част на порта на накрайника на въздуходувката с канала на вентилационния отвор, и тогава натиснете, докато щракне.

► **Фиг.31:** 1. Накрайник на въздуходувката

За да отстраните накрайника на въздуходувката, издърпайте порта надолу, докато натискате горната му част, както е показано.

► **Фиг.32**

### Издухване

Насочете върха на накрайника на въздуходувката към обекта, който трябва да бъде издухан, и включете уреда.

► **Фиг.33**



## ПОДДРЪЖКА

**⚠ВНИМАНИЕ:** Преди да проверявате или извършвате поддръжка на инструмента, се уверете, че той е изключен и акумулаторната батерия е извадена.

**БЕЛЕЖКА:** Не използвайте бензин, нафта, разреждател, спирт и др. подобни. Това може да причини обезцветяване, деформация или пукнатини.

За да се поддържа БЕЗОПАСНОСТТА и НАДЕЖНОСТТА на продукта, ремонтите, поддръжката или регулирането трябва да се извършват от упълномощен сервиз или фабрични сервизни центрове на Makita, като винаги трябва да използвате резервни части от Makita.

## Почистване

Периодично избърсвайте външно прахосмукачката (тялото на прахосмукачката) с кърпа, овлажнена със сапунена вода.

Почиствайте също и отвора за засмукването, монтажната зона на торбата за прах/хартиения филтър и прахоуловителя.

► Фиг.34

Измивайте торбата за прах със сапунена вода, ако се задръсти с прах и мощността на прахосмукачката намалее. Преди работа го подсушавайте грижливо. Недостатъчно сух филтър може да предизвика влошено засмукване и да намали експлоатационния живот на мотора.

► Фиг.35

**ЗАБЕЛЕЖКА:** Хартиеният филтър се изхвърля след употреба.

Когато филтърът-гъба се задръсти с прах, го извадете от прахосмукачката и го избършете или измийте във вода.

## Изваждане и поставяне на филтър-гъба

**⚠ВНИМАНИЕ:** След почистване на филтър-гъба непременно го върнете в прахосмукачката. Ако е бил измит във вода, преди да го поставите, трябва да го изсушите. Недостатъчно сух филтър-гъба може да намали експлоатационния живот на мотора.

За изваждане на филтър-гъба, извадете торбата за прах или хартиения филтър и го стиснете, за да го извадите.

► Фиг.36: 1. Филтър-гъба

Натиснете целия ръб на филтър-гъба към отделението вътре в монтажната зона на торбата за прах/хартиения филтър.

► Фиг.37: 1. Отделение

## Съхранение

**⚠ПРЕДУПРЕЖДЕНИЕ:** Никога не оставяйте акумулаторната батерия и зарядното устройство в кола. Температурата в нагрятата от слънцето кола може да превиши 50 °C (122 °F). Това може да влоши качеството на акумулаторната батерия и да доведе до изхвърляне на течности, отделяне на дим или до пожар.

► Фиг.38

**⚠ПРЕДУПРЕЖДЕНИЕ:** Никога не използвайте зарядното устройство, докато е прибрано в калъф за съхранение. Блокирането на вентилационния отвор може да доведе до отделяне на дим или до пожар.

► Фиг.39

**⚠ПРЕДУПРЕЖДЕНИЕ:** Никога не зареждайте акумулаторната батерия с инвертор за кола. Това може да причини необичайно загряване и да доведе до пожар.

**⚠ПРЕДУПРЕЖДЕНИЕ:** Никога зареждайте акумулаторната батерия в кола. Ако акумулаторната батерия е изложена на температурен диапазон от 10 °C (50 °F) - 40 °C (104 °F), това може да доведе до загряване и/или пожар или експлозия.

**⚠ВНИМАНИЕ:** Винаги съхранявайте маркучката, както е показано, за да се избегне спъване в него, когато прахосмукачката не се използва. Ако маркучът е разгънат, може да се спънете в него и да се нараните.

► Фиг.40: 1. Фиксатор 2. Маркуч

## Отстраняване на неизправности

Преди да предприемете ремонт, проверете следните точки.

Симптом	Къде трябва да се проверява	Начин за отстраняване
Слаба мощност на засмукване	Пълни ли са с прах торбата за прах или хартиеният филтър?	Изпразнете торбата за прах или хартиения филтър.
	Задръстена ли е торбата за прах?	Изчистете от прах или изперете торбата за прах.
	Задръстен ли е хартиеният филтър?	Сменете хартиения филтър.
	Изтощена ли е акумулаторната батерия?	Заредете акумулаторната батерия.
Не работи	Изтощена ли е акумулаторната батерия?	Заредете акумулаторната батерия.
Капакът на контейнера за прах не се затваря	Поставени ли са торбата за прах или хартиения филтър?	Поставете торбата за прах или хартиения филтър.

**БЕЛЕЖКА:** Не се опитвайте да ремонтирате прахосмукачката сами.

## ДОПЪЛНИТЕЛНИ АКСЕСОАРИ

**⚠ ВНИМАНИЕ:** Препоръчва се използването на тези аксесоари или накрайници с вашия инструмент Makita, описан в настоящото ръководство. Използването на други аксесоари или накрайници може да доведе до опасност от телесни повреди. Използвайте съответния аксесоар или накрайник само по предназначение.

Ако имате нужда от помощ за повече подробности относно тези аксесоари, се обърнете към местния сервизен център на Makita.

- Удължител (права тръба)
- Накрайник
- Накрайник за килим
- Четка за полици
- Ъглов накрайник
- Кръгла четка
- Гъвкав маркуч
- Хартиен филтър
- Свободен накрайник
- Дюза със седло
- Накрайник за труднодостъпни места
- Накрайник "Циклон"
- Торба за прах
- Високоэффективна торба за прах
- Мека чанта
- Оригинална акумулаторна батерия и зарядно устройство на Makita

**ЗАБЕЛЕЖКА:** Някои артикули от списъка може да са включени в комплекта на инструмента, като стандартни аксесоари. Те може да са различни в различните държави.

## UPOZORENJE

Ovaj uređaj mogu koristiti djeca u dobi od 8 i više godina i osobe sa smanjenim fizičkim, osjetilnim ili mentalnim sposobnostima ili s nedovoljnim iskustvom i znanjem ako su pod nadzorom ili dobivaju upute za rukovanje bitne za uporabu uređaja na siguran način i razumiju opasnosti koje s time dolaze. Djeci je zabranjeno igranje uređajem. Djeci je zabranjeno čistiti i provoditi korisničko održavanje bez nadzora.

## SPECIFIKACIJE

Model:		DCL184
Kapacitet	s vrećom za prašinu	500 mL
	s papirnatim filtrom	330 mL
Kontinuirana upotreba (s baterijom BL1830B)	1 (Način uobičajene brzine)	Pribl. 80 min
	2 (Način velike brzine)	Pribl. 30 min
	3 (Način maksimalne brzine)	Pribl. 20 min
Ukupna dužina (uz bateriju BL1830B)		365 mm
Nazivni napon		DC 18 V
Neto težina		1,8 – 2,2 kg

- Zahvaljujući našem stalnom programu razvoja i istraživanja, navedene specifikacije podložne su promjenama bez obavijesti.
- Specifikacije mogu biti različite ovisno o zemlji.
- Težina ne uključuje dodatni pribor osim baterijskih uložaka. U tablici su prikazane najveća i najmanja ukupna težina uređaja i baterijskih uložaka.

## Odgovarajući baterijski uložak i punjač

Baterija	BL1815N / BL1820 / BL1820B / BL1830 / BL1830B / BL1840 / BL1840B / BL1850 / BL1850B / BL1860B
Punjač	DC18RC / DC18RD / DC18RE / DC18SD / DC18SE / DC18SF / DC18SH

- Neki od navedenih baterijskih uložaka i punjača možda neće biti dostupni ovisno o regiji u kojoj se nalazite.

**UPOZORENJE:** Upotrebjavajte samo navedene baterijske uloške i punjače. Upotreba bilo koje druge vrste baterijskih uložaka i punjača može prouzročiti ozljede i/ili požar.

## Simboli

U nastavku su prikazani simboli koji se upotrebljavaju za opremu. Prije korištenja provjerite jeste li razumjeli njihovo značenje.



Pročitajte priručnik s uputama.



Samo za države EU-a  
Ne odlažite električnu opremu ili baterije zajedno s komunalnim otpadom! Sukladno europskim direktivama o otpadnoj električnoj i elektroničkoj opremi, baterijama i akumulatorima te otpadnim baterijama i akumulatorima te njihovoj primjeni sukladno nacionalnim zakonima, električna oprema i baterije na kraju vijeka trajanja moraju se zasebno prikupiti i vratiti u ekološki kompatibilno postrojenje za recikliranje.

## Namjena

Alat je namijenjen za skupljanje suhe prašine.

# SIGURNOSNA UPOZORENJA

## Sigurnosna upozorenja za bežični usisavač

**▲ UPOZORENJE: VAŽNO POZORNO PROČITAJTE** sva sigurnosna upozorenja i sve upute **PRIJE UPOTREBE**. Nepridržavanje upozorenja ili uputa može rezultirati strujnim udarom, požarom i/ili ozbiljnim ozljedama.

1. Nemojte izlagati kiši. Pohranite u zatvorenom prostoru.
2. Ne dopustite da se koristi kao igračka. Posebno pazite kad ga koriste djeca ili kad se koristi u blizini djece.
3. Koristite samo na način opisan u ovom priručniku. Koristite isključivo preporučene dodatke proizvođača.
4. Ne koristite s oštećenom baterijom. Ako uređaj ne radi kako bi trebao ili je pao, bio oštećen, ostavljen na otvorenom ili ispušten u vodu, vratite ga u servis.
5. Nemojte rukovati uređajem mokrim rukama.
6. Ne stavljajte predmete u otvore. Ne koristite s blokiranom otvorima, zaštitite ga od prašine, dlavica, kose i bilo čega drugoga što bi moglo smanjiti protok zraka.
7. Držite kosu, široku odjeću i sve dijelove tijela dalje od otvora i pomičnih dijelova.
8. Isključite sve kontrole prije uklanjanja baterije.
9. Posebno pazite kad čistite stube.
10. Ne koristite za skupljanje zapaljivih tekućina kao što je benzin i ne koristite na mjestima gdje se one mogu nalaziti.
11. Za punjenje koristite isključivo isporučeni punjač proizvođača.
12. Ne usisavajte stvari koje gore ili se dime, kao što su cigarete, šibice ili vrući pepeo.
13. Ne koristite bez postavljene vreće za prašinu i/ili filtera.
14. Ne punite bateriju na otvorenom.
15. Baterije punite isključivo punjačem koji preporučuje proizvođač. Punjač koji je prikladan za jednu vrstu baterija može uzrokovati opasnost od požara ako se koristi za drugu vrstu baterija.
16. Ručni alat koristite isključivo s namjenskim i propisanim baterijama. Korištenje bilo koje druge vrste baterija može uzrokovati opasnost od ozljede i požara.
17. Kad se ne koristite baterijama, držite ih podalje od drugih metalnih predmeta poput spajalica, kovanica, ključeva, čavala, vijaka i drugih sitnih metalnih predmeta koji mogu uzrokovati spoj između polova.
18. Pod djelovanjem sile tekućina može iscuriti iz baterije; izbjegavajte kontakt. Ako slučajno dođe do kontakta, isperite vodom.
19. Ne koristite oštećenu ili preinačenu bateriju ili alat. Oštećene ili preinačene baterije mogu se neočekivano ponašati te prouzročiti požar, eksploziju ili ozljede.

20. Ne izlažite bateriju ili alat plamenu ili previsokoj temperaturi. Izlaganje plamenu ili temperaturi višoj od 130 °C može prouzročiti eksploziju.
21. Pridržavajte se svih uputa za punjenje i nemojte puniti bateriju ili alat izvan temperaturnog raspona navedenog u uputama. Neispravno punjenje ili punjenje pri temperaturama izvan navedenog raspona mogu oštetiti bateriju i povećati opasnost od požara.

## ČUVAJTE OVE UPUTE.

### DODATNA SIGURNOSNA PRAVILA

Ovaj je uređaj namijenjen za kućnu uporabu.

1. Pažljivo pročitajte ovaj priručnik s uputama i priručnik s uputama za punjač prije uporabe.
2. Ne usisavajte sljedeće materijale:
  - Vruće materijale kao što su zapaljene cigarete ili iskre/metalna prašina koja nastaje brušenjem/rezanjem metala
  - Zapaljive materijale kao što su benzin, razrjeđivač, kerozin ili boja
  - Eksplozivne materijale kao što je nitroglicerina
  - Zapaljive materijale kao što su aluminij, cink, magnezij, titanij, fosfor ili celulozid
  - Moku prašinu, vodu, ulje i slično
  - Tvrdje dijelove s oštrim rubovima, kao što su komadići drva, metali, kamenje, staklo, čavli, pribadače ili britve
  - Praške koji se grušu kao što su cement ili toner
  - Prašinu koja provodi struju kao što je metalna ili ugljična prašina
  - Sitne čestice kao što je prašina betonaTakve radnje mogu prouzročiti požar, ozljedu i/ili štetu na imovini.
3. Odmah prestanite s radom ako primijetite nešto neobično.
4. Ako ispustite ili udarite usisivač, pažljivo provjerite ima li pukotina ili oštećenja prije rada s njime.
5. Ne približavajte ga štednjacima i drugim izvorima topline.
6. Ne blokirajte ulaznu rupu ili ventilacijske rupe.

## ČUVAJTE OVE UPUTE.

### Važne sigurnosne upute za bateriju

1. Prije uporabe baterije pročitajte sve upute i oznake upozorenja na (1) punjaču za baterije, (2) bateriji i (3) proizvodu koji koristi bateriju.
2. Nemojte rastavljati ili izmjenjivati baterijski uložak. To može dovesti do požara, pretjeranog zagrijavanja ili eksplozije.
3. Ako se vrijeme rada znatno skratilo, odmah prestanite raditi. Može doći do pregrijavanja, mogućih opekлина pa čak i eksplozije.
4. Ako vam elektrolit dospije u oči, isperite ih čistom vodom i odmah se obratite liječniku. Tako možete izgubiti vid.

5. **Nemojte kratko spajati bateriju:**
  - (1) **Ne dovodite terminale u kontakt s provodljivim materijalima.**
  - (2) **Ne čuvajte bateriju u spremniku s drugim metalnim predmetima poput čavala, kovanica itd.**
  - (3) **Ne izlažite bateriju vodi ili kiši.** Kratki spoj baterije može uzrokovati velik protok struje, pregrijavanje, moguće opekline pa čak i kvar.
6. **Ne držite i ne upotrebljavajte alat i baterijski uložak na mjestima gdje temperatura može premašiti 50 °C (122 °F).**
7. **Ne spaljujte bateriju čak ni ako je ozbiljno oštećena ili potpuno istrošena.** Baterija može eksplodirati u vatri.
8. **Nemojte zabijati čavle u baterijski uložak, rezati ga, gnječiti, bacati ili udarati tvrdim predmetom.** Ti postupci mogu dovesti do požara, pretjeranog zagrijavanja ili eksplozije.
9. **Ne koristite oštećene baterije.**
10. **Sadržane litij-ionske baterije podliježu odredbama zakonskih propisa o opasnim tvarima.** Kada se radi o komercijalnom transportu koji obavlja npr. dobavljači ili špediteri, moraju se poštovati posebni zahtjevi na pakiranju i oznakama. Prilikom pripreme isporuke takve stavke potražite savjet stručnjaka za opasne tvari. Pogledajte i moguće podrobnije nacionalne propise. Prekrijte trakom ili zaštitite otvorene kontakte i bateriju zapakirajte tako da se ne može pomicati u pakiranju.
11. **Kada odlažete baterijski uložak u otpad, uklonite ga iz alata i zbrinite na sigurnom mjestu. Pridržavajte se lokalnih zakonskih propisa za zbrinjavanje baterija.**
12. **Upotrebljavajte baterije samo s proizvodima koje je odobrila tvrtka Makita.** Umetanje baterija u neprikladne proizvode može dovesti do požara, prekomjerne topline, eksplozije ili curenja elektrolita.
13. **Ako se alat ne upotrebljava dulje vrijeme, bateriju morate ukloniti iz alata.**
14. **Tijekom i nakon upotrebe baterijski uložak može se zagrijati i prouzročiti opekline višeg ili nižeg stupnja. Pažljivo rukujte vrućim baterijskim ulošcima.**
15. **Nemojte dirati priključak alata neposredno nakon upotrebe jer se može zagrijati toliko da prouzroči opekline.**
16. **Ne dopustite da krhotine, prašina ili zemlja zapnu u priključcima, otvorima i urezima baterijskog uložka.** To može dovesti do neispravnog rada ili kvara alata ili baterijskog uložka.
17. **Ako alat ne podržava upotrebu u blizini visokonaponskih električnih vodova, nemojte upotrebljavati baterijski uložak u blizini a visokonaponskih električnih vodova.** To može dovesti do neispravnog rada ili kvara alata ili baterijskog uložka.
18. **Bateriju čuvajte podalje od djece.**

## ČUVAJTE OVE UPUTE.

**⚠ OPREZ:** Uvijek upotrebljavajte originalne baterije Makita. Upotreba baterija koje nisu originalne baterije Makita ili su izmijenjene može dovesti do rasprskavanja baterije i uzrokovati požar, tjelesnu ozljedu ili štetu. To će također poništiti jamstvo tvrtke Makita za alat i punjač Makita.

## Savjeti za održavanje najduljeg vijeka trajanja baterije

1. **Napunite bateriju prije nego što se potpuno isprazni.** Uvijek zaustavite alat i napunite bateriju kad primijetite da alat slabije radi.
2. **Nikad ne punite već do kraja napunjenu bateriju.** Pretjerano punjenje skraćuje radni vijek baterije.
3. **Bateriju punite na sobnoj temperaturi između 10 °C i 40 °C.** Vruću bateriju prije punjenja ostavite da se ohladi.
4. **Kada ne upotrebljavate baterijski uložak, uklonite ga iz alata ili punjača.**
5. **Napunite bateriju ako je ne mislite koristiti duže vrijeme (duže od 6 mjeseci).**

## FUNKCIONALNI OPIS

**⚠ OPREZ:** Prije podešavanja ili provjere rada alata obavezno provjerite je li stroj isključen i baterija uklonjena.

**⚠ OPREZ:** Pazite da prilikom punjenja baterije ne prignječite prste između usisavača i baterije. Prignječenje prsta može prouzročiti ozljedu.

## Umetanje ili uklanjanje baterije

**⚠ OPREZ:** Uvijek isključite alat prije umetanja ili uklanjanja baterije.

**⚠ OPREZ:** Čvrsto držite alat i bateriju pri umetanju ili uklanjanju baterije. Ako alat i bateriju ne držite čvrsto, mogli bi vam isključiti iz ruku te oštetiti alat i bateriju ili uzrokovati osobnu ozljedu.

► **SI.1:** 1. Crveni indikator 2. Gumb 3. Baterija

Za uklanjanje bateriju gurnite van iz alata pritiskom gumba na prednjoj strani uložka.

Za umetanje baterije poravnajte jezičac na bateriji s utorom u kućištu i gurnite je na mjesto. Umetnite bateriju skroz do kraja dok ne sjedne na svoje mjesto uz mali klik. Ako možete vidjeti crveni indikator na gornjoj strani gumba, baterija nije do kraja sjela na svoje mjesto.

**⚠ OPREZ:** Uvijek umetnite bateriju dok kraja tako da ne možete vidjeti crveni indikator. U suprotnom može slučajno ispasti iz alata, što može dovesti do ozljede vas ili nekog u blizini.

**⚠ OPREZ:** Ne umećite bateriju silom. Ako baterija ne klizne lagano, znači da nije ispravno umetnuta.

## Sustav zaštite alata/baterije

Ovaj alat sadrži sustav zaštite alata/baterije. Sustav automatski prekida napajanje motora da bi produžio vijek trajanja alata i baterije.

Alat automatski prestaje raditi ako se alat ili baterija nađu u nekome od sljedećih uvjeta. U nekim se uvjetima uključuje žaruljica indikatora.

► **SI.2:** 1. Žaruljica indikatora

## Zaštita od preopterećenja

Kada se alat upotrebljava na način pri kojemu troši neobično mnogo struje, alat se automatski zaustavlja, a indikator se uključuje na otprilike 60 sekundi. U tom slučaju isključite alat i prestanite ga upotrebljavati na način koji je izazvao preopterećenje. Zatim uključite alat kako biste ga ponovno pokrenuli.

## Zaštita od pregrijavanja

Kada se alat/baterija pregrije, alat se automatski zaustavlja, a indikator baterije treperi otprilike 60 sekundi. Alat se neće pokrenuti čak ni ako ga uključite. U tom slučaju pričekajte da se baterija ohladi prije nego što ponovno uključite alat.

## Zaštita od prekomjernog pražnjenja

Kad je preostali kapacitet baterije nizak, indikator treperi. Daljnjom se upotrebom alat zaustavlja, a indikator treperi otprilike 60 sekundi. Ako uključite alat, motor će se opet pokrenuti, ali ubrzo i zaustaviti. U tom slučaju napunite bateriju.

**NAPOMENA:** Vrijeme kada će žaruljica početi treperiti ovisi o temperaturi radnog mjesta i uvjetima baterijskog uložka.

## Prikaz preostalog kapaciteta baterije

**Samo za baterijske uloške s indikatorom**

► **SI.3:** 1. Žaruljice indikatora 2. Gumb za provjeru

Pritisnite gumb za provjeru na bateriji kako biste provjerili preostali kapacitet baterije. Žaruljica indikatora zasvijetlit će na nekoliko sekundi.

Žaruljice indikatora			Preostali kapacitet
Svijetli	Isključeno	Treperi	
			75 % do 100 %
			50 % do 75 %
			25 % do 50 %
			0 % do 25 %
			Napunite bateriju.
			Baterija je možda neispravna.

**NAPOMENA:** Ovisno o uvjetima upotrebe i temperaturi okoline, prikaz indikatora može se donekle razlikovati od stvarnog kapaciteta.

## Uključivanje i isključivanje

► **SI.4:** 1. Gumb za uključivanje („ON“)/promjenu brzine 2. Gumb za isključivanje („OFF“)

Da biste uključili usisavač, jednostavno pritisnite gumb za uključivanje/promjenu brzine. Da biste ga isključili, pritisnite gumb za isključivanje.

Brzinu usisavača možete promijeniti u tri koraka pritiskom gumba za uključivanje/promjenu brzine.

Prvim se pritiskom uključuje način velike brzine, drugim se pritiskom uključuje način maksimalne brzine, a trećim uobičajena brzina. Svakim pritiskom tog gumba ponavlja se ciklus velike/maksimalne/uobičajene brzine.

## MONTAŽA

**⚠OPREZ:** Prije izvođenja bilo kakve radnje na alatu obavezno provjerite je li stroj isključen i baterija uklonjena.

## Vreća za prašinu ili papirnati filter

Postavite vreću za prašinu ili papirnati filter prije upotrebe usisavača.

Koristite zaustavljač prašine kad postavljate vreću za prašinu ili papirnati filter.

Vreća za prašinu može se koristiti više puta tako da se očisti. Papirnati filter baca se nakon upotrebe. Bacite papirnati filter bez pražnjenja kad se napuni.

**NAPOMENA:** Da biste spriječili ulazak prašine u motor:

- Prije upotrebe provjerite je li postavljena vreća za prašinu ili papirnati filter.
- Pri postavljanju umetnite zaustavljač prašine zajedno s vrećom za prašinu ili papirnatim filterom skroz do kraja u utore.
- Ne upotrebljavajte oštećenu ili poderanu vreću.

U suprotnom se motor može oštetiti.

**NAPOMENA:** Nemojte presavijati karton na njegovu otvoru kad postavljate papirnati filter.

**NAPOMENA:** Nikad ne bacajte zaustavljač prašine jer se on mora koristiti uvijek kada se koriste vreće za prašinu ili papirnati filter.

**NAPOMENA:** Papirnati filter za usisavač važan je dio za održavanje rada alata. Korištenje papirnatih filtera koji nisu originalni može uzrokovati pojavu dima ili zapaljenje.

## Postavljanje vreće za prašinu

Koristite zaustavljač prašine kad postavljate vreću za prašinu. Pazite da slučajno ne zamijenite njegovu gornju i donju stranu jer se one razlikuju.

► **SI.5:** 1. Gornja strana zaustavljača prašine 2. Donja strana zaustavljača prašine

1. Umetnite izbočenje vreće za prašinu u žlijeb na zaustavljaču prašine kao što je prikazano na slici.

Nema razlike između gornje i donje strane vreće za prašinu. Izbočenje vreće na bilo kojoj strani možete umetnuti u žlijeb zaustavljača prašine.

► **SI.6:** 1. Zaustavljač prašine 2. Utor 3. Vreća za prašinu

2. Preklonite okvir zaustavljača prašine s okvirom vreće za prašinu.

► **SI.7**

3. Stavite zaustavljač prašine i vreću za prašinu zajedno u otvor usisavača u smjeru strelice na zaustavljaču prašine. Umetnite ih do kraja u utore u otvor usisavača.

► **SI.8:** 1. Utor

4. Postavite cijeli tkani dio vreće za prašinu u sam usisavač.

► **SI.9**

5. Zatvorite do kraja poklopac kutije za prašinu.

► **SI.10:** 1. Poklopac kutije za prašinu

**NAPOMENA:** Ako u usisivaču nije postavljena vreća za prašinu, poklopac kutije za prašinu ne može se u potpunosti zatvoriti.

## Postavljanje zračnog filtra

Koristite zaustavljač prašine kad postavljate papirnati filter. Pazite da slučajno ne zamijenite njegovu gornju i donju stranu jer se one razlikuju.

► **SI.11:** 1. Gornja strana zaustavljača prašine  
2. Donja strana zaustavljača prašine

1. Otvorite otvor papirnato g filtra prije postavljanja u zaustavljač prašine.

► **SI.12**

2. Umetnite izbočenje papirnato g filtra u žlijeb na zaustavljaču prašine kao što je prikazano na slici.

Nema razlike između gornje i donje strane papirnato g filtra. Izbočenje vreće na bilo kojoj strani možete umetnuti u žlijeb zaustavljača prašine.

► **SI.13:** 1. Zaustavljač prašine 2. Utor 3. Papirnati filter

3. Preklopite okvir zaustavljača prašine s okvirom papirnato g filtra.

► **SI.14**

4. Stavite zaustavljač prašine i papirnati filter zajedno u otvor usisavača u smjeru strelice na zaustavljaču prašine. Umetnite ih do kraja u utore u otvoru usisavača.

► **SI.15:** 1. Utor

5. Postavite cijeli spremnik papirnato g filtra unutar samog alata.

► **SI.16**

6. Zatvorite do kraja poklopac kutije za prašinu.

► **SI.17:** 1. Poklopac kutije za prašinu

**NAPOMENA:** Ako u usisivaču nije postavljen papirnati filter, poklopac kutije za prašinu ne može se u potpunosti zatvoriti.

## Postavljanje remena za rame

**▲OPREZ:** Pazite da vam remen za rame ne zapne za predmete u okolini.

**▲OPREZ:** Pazite da vam remen za rame ne otklizi s ramena prilikom upotrebe usisivača. Radi stabilnijeg upravljanja usisivačem preporučujemo da remen za rame nosite poprečno preko prsa.

Pričvrstite kukice remena za rame na nosače usisavača kao što je prikazano na slici.

► **SI.18:** 1. Remen za rame 2. Kukica 3. Nosač

**NAPOMENA:** Remen za rame možete pričvrstiti i na meku vreću (dodatni pribor) kao što je prikazano na slici.

► **SI.19:** 1. Remen za rame 2. Meka vreća

## RAD

**▲OPREZ:** Uvijek držite ručku tijekom nošenja usisavača. Ako tijekom nošenja držite nastavak, on može otpasti s usisivača i prouzročiti ozljede.

**▲OPREZ:** Ne upotrebljavajte uređaj dok vozite ili dok je moto u radu.

**▲OPREZ:** Ne primajte zglob za crijevo kao što je prikazano na slici. Držanjem zgloba za crijevo možete priklještit prst.

► **SI.20:** 1. Zglob za crijevo

## Upotreba uređaja kao usisavača

**NAPOMENA:** Prije usisavanja uklonite nastavak puhalo. Ako je nastavak puhalo pričvršćen na usisivač, usisna snaga bit će smanjena.

## Postavljanje ili uklanjanje dodatnog pribora usisavača

Da biste postavili dodatni pribor (kao što je mlaznica), zakrenite ga i umetnite u crijevo. Da biste ga odspojili, zakrenite ga i uklonite. Način postavljanja razlikuje se ovisno o mlaznicama kao što je prikazano na slici.

► **SI.21:** 1. Crijevo 2. Gumena mlaznica 3. Meka četka  
4. Mlaznica za sjedala 5. Mlaznica za tepih

## Usisavanje

### Gumena mlaznica

Ova je mlaznica prikladna za čišćenje donjih kutova vratnih džepova. Gumena mlaznica nježna je u odnosu na površinu čišćenja.

► **SI.22:** 1. Gumena mlaznica

### Meka četka

Ova je mlaznica prikladna za čišćenje otvora za prozračivanje klimatizacijskog uređaja, nadzorne ploče itd. Glava četke može se okrenuti pod odgovarajućim kutom.

► **SI.23:** 1. Meka četka

### Mlaznica za sjedala

Ova mlaznica sadrži četku za dlačice za čišćenje površine sjedala. Četka sa strane mlaznice korisna je za uklanjanje prašine sa spojeva.

► **SI.24:** 1. Mlaznica za sjedala 2. Četka sa strane

### Mlaznica za tepih

Ova se mlaznica koristi za čišćenje otirača i tepiha. Zupci na mlaznici pomažu u uklanjanju pješćanih zrnaca.

► **SI.25:** 1. Mlaznica za tepih

**NAPOMENA:** Za čišćenje tepiha uvijek upotrebljavajte mlaznicu za tepih. Upotrebom mlaznice za tepih na drugim materijalima možete oštetiti njihovu površinu.

## Čišćenje bez mlaznice

Možete usisavati bez mlaznice.

► **SI.26**



## Odlaganje prašine

**▲ OPREZ:** Ispraznite vreću za prašinu ili zamijenite papirnati filter prije nego što se napuni. U suprotnom će se smanjiti usisna snaga/snaga otpuhivanja.

**▲ OPREZ:** Kad zatvarate poklopac kutije za prašinu, pazite da ne priklješite prste.

**NAPOMENA:** Nikad ne bacajte zaustavljač prašine jer se on mora koristiti kad god se koriste vreća za prašinu ili papirnati filter.

**NAPOMENA:** Ako u usisivaču nije postavljena vreća za prašinu/papirnati filter, poklopac kutije za prašinu ne može se u potpunosti zatvoriti. Nemojte na silu zatvarati poklopac kutije za prašinu. To može rezultirati iskrivljavanjem ili lomom alata.

**NAPOMENA:** Prilikom odlaganja prašine u otpad, očistite i prostor za vreću za prašinu/papirnati filter. Zbog preostale prašine i prljavštine u prostoru može se začepti spužvasti filter ili oštetiti motor.

1. Otvorite poklopac kutije za prašinu.  
▶ **SI.27:** 1. Poklopac kutije za prašinu
2. Istovremeno izvucite i narančasti zaustavljač prašine i vreću za prašinu/papirnati filter.  
▶ **SI.28:** 1. Zaustavljač prašine
3. **Prilikom upotrebe vreće za prašinu**  
Uklonite zaustavljač prašine i ispraznite vreću za prašinu.  
▶ **SI.29:** 1. Zaustavljač prašine 2. Vreća za prašinu

### Prilikom upotrebe papirnato g filtra

Uklonite zaustavljač prašine i odložite papirnati filter.  
▶ **SI.30:** 1. Zaustavljač prašine 2. Papirnati filter

4. Postavite vreću za prašinu/novi papirnati filter u usisivač i zatvorite poklopac kutije za prašinu.

## Upotreba uređaja kao puhalo

**▲ OPREZ:** Mlaznicu nikada nemojte usmjeravati ni u koju osobu u blizini.

**▲ OPREZ:** Da biste spriječili udisanje prašine, preporučuje se otvoriti prozore te nositi zaštitne naočale i masku tijekom rada.

**▲ OPREZ:** Nemojte povlačiti nastavak puhalo. Može se odvojiti od usisivača.

**▲ OPREZ:** Usisivač nemojte upotrebljavati za upuhivanje zraka u predmete kao što su gumeni madraci, lopte i drugi proizvodi na napuhavanje. Povećani broj okretaja motora može uzrokovati opasni lom ventilatora.

**▲ OPREZ:** Nikada nemojte blokirati otvor za usis i/ili izlaz ventilatora. Pazite da otvor za usis ili izlaz ventilatora ne blokirate prašinom ili prljavštinom kad radite u prašnjavom području.

**▲ OPREZ:** Ne upotrebljavajte druge mlaznice osim onih koje isporučuje Makita.

## Postavljanje ili uklanjanje nastavka puhalo

Nastavak puhalo pričvrstite tako da poravnate izbočine na ulazu nastavka puhalo sa žljebom na otvoru za prozračivanje, a zatim ga gurnite dok ne klikne.

▶ **SI.31:** 1. Nastavak puhalo

Da biste uklonili nastavak puhalo, povucite ulaz prema dolje dok pritišćete vrh kao što je prikazano na slici.

▶ **SI.32**

## Otpuhivanje

Nastavak puhalo usmjerite prema predmetu koji želite otpuhati i uključite uređaj.

▶ **SI.33**

## ODRŽAVANJE

**▲ OPREZ:** Prije svih zahvata na stroju provjerite jeste li isključili stroj i uklonili bateriju.

**NAPOMENA:** Nikada nemojte koristiti benzin, mješavinu benzina, razrjeđivač, alkohol ili slično. Kao rezultat toga može se izgubiti boja, pojaviti deformacija ili pukotine.

Da biste zadržali SIGURNOST I POUZDANOST proizvoda, održavanje ili namještanja trebali biste prepustiti ovlaštenim servisnim ili tvorničkim centrima tvrtke Makita; uvijek rabite originalne rezervne dijelove.

## Čišćenje

Povremeno obrišite vanjski dio (kućište) usisavača tkaninom navlaženom u vodi sa sapunicom. Očistite i otvor za usis, dio za postavljanje vreće za prašinu/papirnato g filtra i zaustavljač prašine.

▶ **SI.34**

Operite vreću za prašinu u vodi sa sapunicom kad se začepti prašinom i kad se smanji snaga usisavanja. Temeljito ga osušite prije korištenja. Nedovoljno suh filter može uzrokovati slab usis i skratiti vijek trajanja motora.

▶ **SI.35**

**NAPOMENA:** Papirnati filter baca se nakon upotrebe.

Kad se spužvasti filter začepti prašinom, uklonite ga iz usisivača i obrišite ili operite u vodi.

## Uklanjanje i postavljanje spužvastog filtra

**▲ OPREZ:** Nakon čišćenja nemojte zaboraviti ponovno postaviti spužvasti filter u usisivač. Ako ga perete u vodi, osušite ga prije postavljanja. Nedovoljno suh spužvasti filter može skratiti vijek trajanja motora.

Da biste uklonili spužvasti filter, uklonite vreću za prašinu ili papirnati filter, a zatim ga primite i izvucite.

▶ **SI.36:** 1. Spužvasti filter

Pritisnite cijeli rub spužvastog filtra na udubljeni zid unutar dijela za postavljanje vreće za prašinu/papirnato g filtra.

▶ **SI.37:** 1. Udubljeni zid

## Skladištenje

**⚠ UPOZORENJE:** Nikad ne ostavljajte baterijski uložak i punjač u automobilu. Temperatura u automobilu koji se nalazi na suncu može premašiti 50 °C (122 °F). To može dovesti do oštećenja baterijskog uložka i curenja tekućine, pojave dima ili požara.

► SI.38

**⚠ UPOZORENJE:** Nikad ne upotrebljavajte punjač dok je u vreći za pohranu. Blokiranje otvora za prozračivanje može dovesti do pojave dima ili požara.

► SI.39

**⚠ UPOZORENJE:** Nikad ne mijenjajte baterijski uložak pomoću invertera u vozilu. To može dovesti do neuobičajene topline i požara.

**⚠ UPOZORENJE:** Nikad ne punite baterijski uložak u automobilu. Ako je baterijski uložak izložen temperaturi izvan raspona od 10°C (50 °F) do 40°C (104 °F), to može dovesti do stvaranja topline i/ili požara ili eksplozije.

**⚠ OPREZ:** Kako biste izbjegli spoticanje, kada se ne koristi, crijevo pohranite kako je prikazano na slici. Možete se spotaknuti o razmotano crijevo i ozlijediti se.

► SI.40: 1. Kuka 2. Crijevo

## Otklanjanje poteškoća

Prije nego što uređaj odnesete na popravak, provjerite sljedeće.

Simptom	Područje koje je potrebno istražiti	Ispravljanje problema
Slaba snaga usisa	Jesu li vreća za prašinu ili papirnati filter puni prašine?	Ispraznite vreću za prašinu ili papirnati filter.
	Je li vreća za prašinu začepljena?	Istresite prašinu ili operite vreću za prašinu.
	Je li papirnati filter začepljen?	Zamijenite papirnati filter.
	Je li baterija prazna?	Napunite bateriju.
Ne radi	Je li baterija prazna?	Napunite bateriju.
Poklopac kutije za prašinu ne zatvara se	Jesu li vreća za prašinu ili papirnati filter postavljeni?	Postavite vreću za prašinu ili papirnati filter.

**NAPOMENA:** Ne pokušavajte sami popraviti usisavač.

## DODATNI PRIBOR

**⚠ OPREZ:** Ovaj dodatni pribor ili priključci preporučuju se samo za upotrebu s alatom Makita navedenim u ovom priručniku. Upotreba bilo kojeg drugog dodatnog pribora ili priključaka može prouzročiti ozljede. Upotrebljavajte dodatni pribor ili priključak samo za njegovu navedenu svrhu.

Ako vam je potrebna pomoć za više detalja u pogledu ovih dodatnih pribora, obratite se najbližem Makita servisnom centru.

- Produžna cijev (ravna cijev)
- Mlaznica
- Mlaznica za tepih
- Četkica za police
- Kutna mlaznica
- Okrugla četka
- Fleksibilno crijevo
- Papirnati filter
- Slobodna mlaznica
- Mlaznica za sjedala
- Mlaznica za procjep
- Nastavak ciklona
- Vreća za prašinu
- Vreća za prašinu visoke učinkovitosti

- Meka vreća
- Izvorna Makita baterija i punjač

**NAPOMENA:** Neke stavke iz popisa se mogu isporučiti zajedno sa strojem kao standardni dodatni pribori. Oni mogu biti različiti ovisno o zemlji.

## ПРЕДУПРЕДУВАЊЕ

Овој уред може да се користи од страна на деца на возраст од 8 години или постари, и лица со намалени физички, сетилни или ментални капацитети, или без доволно искуство и познавање ако се под надзор или им се даваат упатства за користење на уредот на безбеден начин и ги разбираат вклучените ризици. Децата не смеат да си играат со уредот. Чистењето и одржувањето од корисникот не смеат да се вршат од страна на деца без надзор.

## СПЕЦИФИКАЦИИ

Модел:		DCL184
Капацитет	со вреќа за прав	500 mL
	со хартиен филтер	330 mL
Континуирана работа (со батерија BL1830B)	1 (Режим со нормална брзина)	Околу 80 мин.
	2 (Режим со голема брзина)	Околу 30 мин.
	3 (Режим со максимална брзина)	Околу 20 мин.
Вкупна должина (со батерија BL1830B)		365 мм
Номинален напон		D.C. 18 V
Нето тежина		1,8 - 2,2 кг

- Поради нашата континуирана програма за истражување и развој, спецификациите тука подлежат на промена без најава.
- Спецификациите може да се разликуваат од држава до држава.
- Тежината не ги вклучува додатоците освен касетите за батерија. Најлесните и најтешките комбинации на тежина на уредот и касетите за батерија се прикажани во табелата.

## Применлива касета за батерија и полнач

Касета за батерија	BL1815N / BL1820 / BL1820B / BL1830 / BL1830B / BL1840 / BL1840B / BL1850 / BL1850B / BL1860B
Полнач	DC18RC / DC18RD / DC18RE / DC18SD / DC18SE / DC18SF / DC18SH

- Некои од касетите за батерии и полначите наведени погоре може да не се достапни зависно од регионот во кој живеете.

**▲ ПРЕДУПРЕДУВАЊЕ:** Користете ги само касетите за батерии и полначите наведени погоре. Користењето какви било поинакви касети за батерии и полначи може да создаде ризик од повреда и/или пожар.

## Симболи

Долунаведените ги прикажуваат симболите што може да се користат кај опремата. Пред употребата, проверете дали го разбирате нивното значење.



Прочитајте го упатството за користење.



Само за земјите на ЕУ  
Не фрлајте ја електричната опрема или батеријата заедно со домашниот отпад! Земјајќи ги предвид европските директиви за отпадна електрична и електронска опрема и за батерии, акумулатори и отпадни батерии и акумулатори и нивното спроведување во согласност со националните закони, електричната опрема и батериите на крајот на нивниот работен век мора да се собираат одделно и да се вратат во еколошки објект за рециклирање.

## Наменета употреба

Алатот е наменет за собирање сув прав.

# БЕЗБЕДНОСНИ ПРЕДУПРЕДУВАЊА

## Безбедносни предупредувања за безжичната правосмукалка

**▲ ПРЕДУПРЕДУВАЊЕ: ВАЖНО!**  
**ПРОЧИТАЈТЕ ГИ ВНИМАТЕЛНО** сите  
безбедносни предупредувања и сите упатства  
**ПРЕД УПОТРЕБА.** Ако не се почитуваат  
предупредувањата и упатствата, може да дојде до  
струен удар, пожар и/или тешки повреди.

1. Да не се изложува на дожд. Да се чува во затворена просторија.
2. Не дозволувајте да се користи како играчка. Кога се користи во близина на деца, потребно е да се обрне особено внимание.
3. Користете го само онака како што е опишано во ова упатство. Користете само додатоци што се одобрени од производителот.
4. Не користете оштетена батерија. Ако уредот не работи како што треба, бил испуштен, оштетен, оставен на отворено или паднал во вода, вратете го во сервисен центар.
5. Не ракувајте со уредот со влажни раце.
6. Не ставајте никакви предмети во отворите. Не користете го доколку кој било од отворите е блокиран; одржувајте го чист и без прав, текстилни влакненца, коса и што било друго што може да го намали протокот на воздух.
7. Држете ја косата, лабавата облека и сите делови од телото подалеку од отворите и подвижните делови.
8. Исклучете ги сите контроли пред да ја извадите батеријата.
9. Обрнете особено внимание кога чистите скали.
10. Не користете го за подигање запаливи или согорливи течности, како на пример, бензин, и не користете го во области каде што тие може да бидат присутни.
11. За полнење, користете го само полначот што е испорачан од страна на производителот.
12. Не подигајте ништо што гори или чади, како на пример, цигари, догорчиња или жежок пепел.
13. Не користете го без вреќа за прав и/или без поставени филтри.
14. Не полнете ја батеријата надвор.
15. Полнете само со полначот одреден од страна на производителот. Полнач што е соодветен за еден тип батерија може да создаде ризик од пожар кога се користи со друга батерија.
16. Исклучиво користете ги електричните алати со конкретно наменети батерии. Користењето други батерии може да создаде ризик од повреда и пожар.
17. Кога батеријата не се користи, држете ја настрана од други метални предмети, како што се спојувалки, монети, клучеви, шајки или други мали метални предмети што може да послужат како врска од еден на друг приклучок.

18. При неправилна употреба, од батеријата може да истече течност. Избегнувајте контакт со неа. Ако дојде до ненамерен контакт, измијте со вода.
19. Не користете батерии или алат што се оштетени или менувани. Оштетените или менуваните батерии може да прикажуваат непредвидливо однесување што резултира со оган, експлозија или опасност од повреда.
20. Не изложувајте ги батериите или алатот на оган или прекумерна температура. Изложувањето на оган или температура над 130°C може да предизвика експлозија.
21. Следете ги сите упатства за полнење и не полнете ги батериите или алатот надвор од температурниот опсег наведен во упатството. Неправилното менување или менувањето на температури надвор од наведениот опсег може да ја оштети батеријата и да ја зголеми опасноста од оган.

## ЧУВАЈТЕ ГО УПАТСТВОТО.

### ДОПОЛНИТЕЛНИ БЕЗБЕДНОСНИ ПРАВИЛА

Овој уред е наменет за употреба во домаќинството.

1. Внимателно прочитајте ги ова упатство за употреба и упатството за употреба за полначот пред употребата.
2. Не подигајте ги следниве материјали:
  - Жешките материјали, како на пример запалени цигари или искречки/метален прав што се создава од брусењето/сечењето метал
  - Запаливи материјали, како на пример, бензин, разредувач, газија, керозин или боја
  - Експлозивни материјали, како на пример, нитроглицерин
  - Запаливи материјали, како на пример, алуминиум, цинк, магнезиум, титаниум, фосфор или целулоид
  - Влажен прав, вода, масло или слично
  - Тврди парчиња со остри рабови, како на пример, дрвени делканици, метали, камења, стакло, шајки, игли или жилети
  - Прав што може да предизвика затнување, како на пример, цемент или прав за тонер
  - Проводлив прав, како на пример, метал или јаглерод
  - Мали честички, како на пример, прав од бетонТаквите дејства може да предизвикаат пожар, повреда и/или оштетување на имотот.
3. Ако забележите нешто абнормално, веднаш запрете со работа.
4. Ако ја испуштите или удристе правосмукалата, внимателно проверете дали на неа има пукнатини или оштетувања пред да продолжите со работа.

- Не доближувајте го до печки или други топлински извори.
- Не блокирајте ги доводната дупка и дупките за вентилација.

## ЧУВАЈТЕ ГО УПАТСТВОТО.

### Важни безбедносни упатства за касетата за батеријата

- Пред користење на касетата за батеријата, прочитајте ги сите упатства и ознаки за претпазливост на (1) полначот за батеријата, (2) батеријата и (3) производот што ја користи батеријата.
- Не расклопувајте ја, ниту експериментирајте со касетата за батеријата. Тоа може да резултира со оган, прекумерна топлина или експлозија.
- Ако оперативното време станало прекумерно кратко, престанете веднаш со работа. Тоа може да резултира со ризик од прегревање, можни изгореници, па дури и експлозија.
- Ако електролит навлезе во вашите очи, измијте ги со чиста вода и побарајте медицинска нега веднаш. Тоа може да резултира со губење на вашиот вид.
- Не предизвикувајте спој на касетата за батеријата.
  - Не допирајте ги контактите со никаков проводлив материјал.
  - Избегнувајте да ја чувате касетата за батерија во сад со други метални предмети како што се шајки, монети и сл.
  - На изложувајте ја касетата за батеријата на вода или дожд.
 Краткиот спој на батеријата може да предизвика голем проток на електрична енергија, прегревање, можни изгореници, па дури и пад на напојувањето.
- Не складирајте и не користете ги алатот и касетата за батеријата на места каде што температурата може да достигне или надминува 50 °C (122 °F).
- Не палете ја касетата за батеријата дури и кога е многу оштетена или целосно потрошена. Касетата за батеријата може да експлодира ако се стави во оган.
- Не заковувајте ја, сечете ја, фрлајте ја, испуштајте ја касетата за батерија, ниту удирајте ја од тврд предмет касетата за батеријата. Таквото однесување може да резултира со оган, прекумерна топлина или експлозија.
- Не користете оштетена батерија.
- Содржаните батери со литиумови јони се подложни на условите во Правилата за опасни предмети. За комерцијален транспорт на пр. од трети лица и посредници, мора да се следат посебните услови на пакувањата или ознаките. При подготовка на предметот кој треба да се испрати, консултирајте се со експерт за опасни материјали. Исто така, следете ги потенцијално подеталните национални правила. Запелете ги со леплива лента или маскирајте ги отворените контакти, а батеријата спакувајте ја, така што нема да се движи слободно во пакувањето.

- Кога ја фрлате во отпад касетата за батеријата, извадете ја од алатот и фрлете ја на безбедно место. Почитувајте ги локалните законски прописи што се однесуваат на фрлање во отпад на батеријата.
- Користете ги батериите само со производите назначени од Makita. Монтирањето батери на неусогласените производи може да резултира со пожар, прекумерна топлина, експлозија или истекување на електролитот.
- Доколку алатот не се користи подолг временски период, батеријата мора да се извади од алатот.
- Пред и по употребата, касетата за батеријата може да прими топлина што може да предизвика изгореници или изгореници од ниска температура. Внимавајте како ракувате со жешките касети за батерији.
- Не допирајте го терминалот на алатот непосредно по употребата бидејќи може да се загрее доволно за да предизвика изгореници.
- Не доволувајте деланки, прав или земја да се заглават во терминалите, отворите и жлебовите на касетата за батерија. Тоа може да резултира со слаба изведба или пад на напојувањето на алатот или касетата за батерија.
- Освен ако алатката не поддржува употреба на електричните далноводи со висок напон во близина, не користете ја касетата за батерија во близина на електричните далноводи со висок напон. Тоа може да резултира со дефект или пад на напојувањето на алатот или касетата за батерија.
- Држете ја батеријата подалеку од деца.

## ЧУВАЈТЕ ГО УПАТСТВОТО.

**▲ВНИМАНИЕ:** Користете само оригинални батери на Makita. Користењето неоригинални батери на Makita или батери што се изменети може да резултира со распакување на батеријата, предизвикувајќи пожар, телесна повреда и оштетување. Тоа исто така ќе ја поништи гаранцијата на Makita за алатот и полначот на Makita.

## Совети за одржување максимален работен век на батеријата

- Заменете ја касетата за батеријата пред целосно да се испразни. Секогаш запирајте ја работата со алатот и заменете ја касетата за батеријата кога ќе забележите дека алатот дава помала моќност.
- Никогаш немојте да полните целосно полна касета за батерија. Прекумерното полнење го скратува работниот век на батеријата.
- Полнете ја касетата за батеријата на собна температура од 10°C - 40°C. Дозволете загреаната касета за батерија да се олади пред да ја ставите на полнење.
- Кога не ја користите касетата за батерија, извадете ја алатот или полначот.
- Полнете ја касетата за батеријата доколку не ја користите подолго време (повеќе од шест месеци).

## ОПИС НА ФУНКЦИИТЕ

**⚠ ВНИМАНИЕ:** Пред секое нагодување или проверка на алатот, проверувајте дали е исклучен и батеријата е извадена.

**⚠ ВНИМАНИЕ:** Внимавајте да не ги потфатите прстите помеѓу правосмукалката и батеријата кога ја вметнувате батеријата. Фаќањето на прстите може да предизвика повреда.

## Монтирање или отстранување на касетата за батеријата

**⚠ ВНИМАНИЕ:** Секогаш исклучувајте го алатот пред ставањето или вадењето на касетата за батеријата.

**⚠ ВНИМАНИЕ:** Држете ги алатот и касетата за батеријата цврсто кога ја монтирате или вадите касетата за батеријата. Ако не ги држите цврсто алатот и касетата за батеријата, тие може да се лизнат од вашите раце и да дојде до нивно оштетување, како и до телесна повреда.

► **Сл.1:** 1. Црвен индикатор 2. Копче 3. Касета за батерија

За да ја извадите касетата за батеријата, повлечете ја од алатот додека го лизгате копчето на предната страна на касетата.

За вметнување на касетата за батеријата, порамнете го јазичето на касетата со жлебот во кукиштето и лизнете го во место. Вметнете ја до крај додека не се блокира во место при што ќе се слушне мало кликување. Ако можете да го видите црвениот индикатор на горната страна од копчето, тоа значи дека не е заклучена целосно во место.

**⚠ ВНИМАНИЕ:** Секогаш монтирајте ја касетата за батеријата целосно додека црвениот индикатор не се изгасне. Во спротивно, може ненадејно да испадне од алатот предизвикувајќи ви повреда вам или на некој друг околу вас.

**⚠ ВНИМАНИЕ:** Немојте да ја монтирате касетата за батеријата на сила. Ако касетата не може да се лизне лесно, тоа значи дека не е поставена правилно.

## Систем за заштита на алатот/ батеријата

Алатот е опремен со систем за заштита на алатот/ батеријата. Овој систем автоматски го прекинува напојувањето на моторот за да го продолжи работниот век на алатот и на батеријата. Алатот автоматски ќе застане за време на работењето ако алатот или батеријата се поставени под еден од следниве услови. Во некои услови, индикаторската ламбичка светнува.

► **Сл.2:** 1. Индикаторска ламбичка

## Заштита од преоптоварување

Кога со алатот се ракува на начин што предизвикува да повлекува нетипично висока струја, алатот автоматски запира и индикаторот светка околу 60 секунди. Во таква ситуација, исклучете го алатот и запрете со примената што предизвикала негово преоптоварување. Потоа, повторно вклучете го алатот.

## Заштита од прегревавање

Кога алатот/батеријата е прегреана, алатот автоматски запира, а индикаторот за батеријата трепка околу 60 секунди. Алатот не стартува дури ни ако го вклучите. Во оваа ситуација, оставете ја батеријата да се излади пред повторно да го вклучите алатот.

## Заштита од прекумерно празнење

Кога преостанатиот капацитет на батеријата дојде на ниско ниво, индикаторот трепка. Со натамошна употреба, алатот запира и индикаторот свети околу 60 секунди. Ако го вклучите алатот, моторот работи уште малку, но набрзо запира. Во оваа ситуација, наполнете ја батеријата.











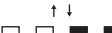

**НАПОМЕНА:** Времето во кое ламбичката свети зависи од температурата на работното место и условите на батеријата.

## Укажување на преостанатиот капацитет на батеријата

**Само за батерии со индикатор**

► **Сл.3:** 1. Индикаторски ламбички 2. Копче за проверка

Притиснете го копчето за проверка на касетата за батеријата за укажување на преостанатиот капацитет на батеријата. Индикаторските ламбички светнуваат неколку секунди.

Индикаторски ламбички			Преостанат капацитет
 Запалено	 Исклучено	 Трепка	
			75% до 100%
			50% до 75%
			25% до 50%
			0% до 25%
			Наполнете ја батеријата.
			Батеријата можеби е неисправна.
			

**НАПОМЕНА:** Во зависност од условите на користење и амбиенталната температура, индикацијата може да се разликува во мала мера од реалниот капацитет.

## Вклучување

- **Сл.4:** 1. Копче ВКЛУЧИ/промени брзина 2. Копче ИСКЛУЧИ

За да ја стартувате правосмукалката, едноставно притиснете го копчето ВКЛУЧИ/промени брзина. За исклучување, притиснете го копчето ИСКЛУЧИ. Брзината на правосмукалката може да ја менувате во три чекори со притискање на копчето ВКЛУЧИ/промени брзина.

Првото притискање на ова копче е за режим со голема брзина, второто за режим со максимална брзина, а третото за нормална брзина. Секое притискање на ова копче го повторува циклусот голема/максимална/нормална брзина наизменично.

## СОСТАВУВАЊЕ

**▲ ВНИМАНИЕ:** Пред секое дотерување или проверка на алатот, секогаш проверувајте дали е исклучен и батеријата е извадена.

## Вреќа за прав и хартиен филтер

Монтирајте вреќа за прав или хартиен филтер пред да започнете со употреба на правосмукалката. Користете го запирачот на прав кога имате монтирано вреќа за прав или хартиен филтер. Вреќата за прав може да се користи повеќекратно притоа чистејќи ја. Хартиениот филтер служи за една употреба и се фрла во отпад по употребата. Кога ќе се наполни, фрлете го во отпад целиот хартиен филтер без да го празните.

**ЗАБЕЛЕШКА:** За да спречите влегување прав во моторот:

- Пред употребата, проверете дали се монтирани вреќата за прав или хартиениот филтер.
- Вметнете го запирачот на прав заедно со вреќата за прав или хартиениот филтер до крај во отворите кога ги монтирате.
- Не користете оштетена или скината вреќа.

Во спротивно, моторот може да се оштети.

**ЗАБЕЛЕШКА:** Не виткајте го картонот на отворот на хартиениот филтер кога го монтирате.

**ЗАБЕЛЕШКА:** Никогаш не фрлајте го запирачот на прав бидејќи тој треба да се користи секогаш кога се користи вреќата за прав или хартиениот филтер.

**ЗАБЕЛЕШКА:** Хартиениот филтер за правосмукалката е важна компонента за одржување на перформансите на алатот. Употребата на хартиен филтер што е поинаков од оригиналниот може да предизвика чадење или палење.

## Монтирање на вреќата за прав

Користете го запирачот на прав кога ја монтирате вреќата за прав. Внимавајте да не ги побркате горната и долната страна, бидејќи се разликуваат меѓу себе.

- **Сл.5:** 1. Горна страна на запирачот на прав  
2. Долна страна на запирачот на прав

1. Вметнете го испакнатиот дел од вреќата за прав во жлебот на запирачот на прав како што е покажано на сликата.

Вреќата за прав нема разлика помеѓу горната и долната страна. Може да го вметнете испакнатиот дел од која било страна во жлебот на запирачот на прав.

- **Сл.6:** 1. Запирач на прав 2. Жлеб 3. Вреќа за прав

2. Преклопете ја рамката на запирачот на прав со таа на вреќата за прав.

- **Сл.7**

3. Поставете ги запирачот на прав и вреќата за прав заедно во празнината на правосмукалката во иста насока на стрелката на запирачот на прав. Вметнете ги до крај во отворите во празнината на правосмукалката.

- **Сл.8:** 1. Отвор

4. Поставете го целиот дел од платното на вреќата за прав внатре во самата правосмукалка.

- **Сл.9**

5. Целосно затворете го капакот на кутијата за прав.

- **Сл.10:** 1. Капак на кутијата за прав

**НАПОМЕНА:** Кога вреќата за прав не е инсталирана во правосмукалката, капакот на кутијата за прав не се затвора целосно.

## Монтирање на хартиениот филтер

Користете го запирачот на прав и кога го монтирате хартиениот филтер. Внимавајте да не ги побркате горната и долната страна, бидејќи се разликуваат меѓу себе.

- **Сл.11:** 1. Горна страна на запирачот на прав  
2. Долна страна на запирачот на прав

1. Одвиткајте го влезот на хартиениот филтер пред да го поставите на запирачот на прав.

- **Сл.12**

2. Вметнете го испакнатиот дел од хартиениот филтер во жлебот на запирачот на прав како што е покажано на сликата.

Хартиениот филтер нема разлика помеѓу горната и долната страна. Може да го вметнете испакнатиот дел од која било страна во жлебот на запирачот на прав.

- **Сл.13:** 1. Запирач на прав 2. Жлеб 3. Хартиен филтер

3. Преклопете ја рамката на запирачот на прав со онаа на хартиениот филтер.

- **Сл.14**



4. Поставете ги запирачот на прав и хартиениот филтер заедно во празнината на правосмукалката во иста насока како стрелката на запирачот на прав. Вметнете ги до крај во отворите во празнината на правосмукалката.

► **Сл.15:** 1. Отвор

5. Поставете го целиот дел од склопот на хартиениот филтер внатре во самиот алат.

► **Сл.16**

6. Целосно затворете го капакот на кутијата за прав.

► **Сл.17:** 1. Капак на кутијата за прав

**НАПОМЕНА:** Кога хартиениот филтер не е инсталиран во правосмукалката, капакот на кутијата за прав не се затвора правилно.

## Монтирање на прерамката

**⚠ВНИМАНИЕ:** Внимавајте прерамката да не се фати во предмети во вашето окружување.

**⚠ВНИМАНИЕ:** Внимавајте прерамката да не ви се лизне од рамото кога ја користите правосмукалката. За стабилно ракување со правосмукалката, се препорачува да ја носите прерамката вкрстена пред градниот кош.

Прикачете ги куките од прерамката на држачите на правосмукалката како што е прикажано на сликата.

► **Сл.18:** 1. Прерамка за рамо 2. Кука 3. Држач

**НАПОМЕНА:** Прерамката исто така може да ја прикачите на меката торба (опционален додаток), како што е прикажано на сликата.

► **Сл.19:** 1. Прерамка за рамо 2. Мека торба

## РАБОТЕЊЕ

**⚠ВНИМАНИЕ:** Секогаш држете ја рачката кога ја носите правосмукалката. Доколку го држите делот на приклучокот за носење, тој може да се извади од правосмукалката и да дојде до телесна повреда.

**⚠ВНИМАНИЕ:** Не користете го уредот додека возите автомобил или додека моторот работи.

**⚠ВНИМАНИЕ:** Не фаќајте ја спојката за црево како што е прикажано на сликата.

Држењето на спојката за црево може да предизвика да ви биде стипнат прстот.

► **Сл.20:** 1. Спојка за црево

## Користење како вакуумска правосмукалка

**НАПОМЕНА:** Пред смукање, извадете го приклучокот на дувалката. Доколку приклучокот на дувалката е прикачен на правосмукалката, ќе се намали силата на смукање.

## Монтирање или отстранување на приклучокот на правосмукалката

За да приклучите додаток, како на пример додаток за агли, завртете го и вметнете го цврсто во цревето. За да го отстраните, завртете го и извадете го. Начинот на монтирање се разликува во зависност од додатоките, како што е прикажано на сликата.

► **Сл.21:** 1. Црево 2. Додаток за гума 3. Мека четка 4. Додаток за седишта 5. Додаток за теписи

## Смукање

### Додаток за гума

Овој додаток е погоден за чистење на аглите на подот, како на пример џеб врата. Додатокот за гума е нежен спрема површината за чистење.

► **Сл.22:** 1. Додаток за гума

### Мека четка

Додатокот е погоден за чистење на отворите за вентилација на клима-уредите, инструмент-таблата итн. Главата на меката четка може да се сврти кон вистинскиот агол.

► **Сл.23:** 1. Мека четка

### Додаток за седишта

Овој додаток има четка за текстилни влакненца за чистење на површината на седиштето. Страничната четка на додатокот е корисна за собирање на правот од браздите.

► **Сл.24:** 1. Додаток за седишта 2. Странична четка

### Додаток за теписи

Овој додаток се користи за чистење на простирка за под и килим. Забецот на додатокот помага во собирањето зрна песок.

► **Сл.25:** 1. Додаток за теписи

**ЗАБЕЛЕШКА:** За чистење тепих, секогаш користете го додатокот за теписи. Користењето на додатокот за теписи за други материјали може да ја изгребе површината.

## Чистење без додаток

Може да вршите смукање без додаток.

► **Сл.26**

## Фрлање на правот во отпад

**⚠ВНИМАНИЕ:** Испразнете ја вреќата за прав или заменете го хартиениот филтер пред да се наполни. Во спротивно, силата на смукање/дување слабеа.

**⚠ВНИМАНИЕ:** Кога го затворите капакот на кутијата за прав, внимавајте да не ги потфатите вашите прсти.

**ЗАБЕЛЕШКА:** Никогаш не фрлајте го запирачот на прав бидејќи тој треба да се користи секогаш кога се користат вреќата за прав или хартиениот филтер.

**ЗАБЕЛЕШКА:** Кога вреќата за прав/хартиениот филтер не е во правосмукалката, капакот на кутијата за прав не се затвора целосно. Не форсирајте го затворањето на капакот на кутијата за прав. Тоа може да резултира со деформирање или кршење на алатот.

**ЗАБЕЛЕШКА:** Кога го фрлате правот во отпад, исчистете го просторот за вреќата за прав/хартиениот филтер. Преостанатиот прав и нечистотијата во просторот може да предизвикаат сунѓерестиот филтер да се затне или моторот да се оштети.

1. Отворете го капакот на кутијата за прав.

► **Сл.27:** 1. Капак на кутијата за прав

2. Извлекете ги истовремено портокалово обоениот запирач на прав и вреќата за прав/хартиениот филтер.

► **Сл.28:** 1. Запирач на прав

3. Кога ја користите вреќата за прав

Извадете го запирачот на прав и испразнете ја вреќата за прав.

► **Сл.29:** 1. Запирач на прав 2. Вреќа за прав

Кога го користите хартиениот филтер

Извадете го запирачот на прав и фрлете го хартиениот филтер во отпад.

► **Сл.30:** 1. Запирач на прав 2. Хартиен филтер

4. Ставете ги истовремено вреќата за прав/хартиениот филтер и запирачот на прав во правосмукалката и затворете го капакот на кутијата за прав.

## Користење како дувалка

**⚠ВНИМАНИЕ:** Никогаш не насочувајте ја млазницата кон никого во близина.

**⚠ВНИМАНИЕ:** За да се избегне вдишувањето прашина, се препорачува отворање на прозорците, а исто така и носење заштитни очила и маска при работењето.

**⚠ВНИМАНИЕ:** Не повлекувајте го приклучокот на дувалката. Може да се откачи од правосмукалката.

**⚠ВНИМАНИЕ:** Не користете ја правосмукалката за дување воздух во предмет како што се гумени чамци, топки или други производи на надување. Работењето со зголемен број вртежи на моторот може да предизвика опасно кршење на вентилаторот.

**⚠ВНИМАНИЕ:** Никогаш не блокирајте ги доводот за смукање и/или одводот за дување. Внимавајте да не го блокирате доводот за смукање или одводот за смукање со прав или нечистотија кога работите во правлива област.

**⚠ВНИМАНИЕ:** Не користете други распрскувачи освен распрскувачите што ги обезбедува Makita.

## Монтирање или отстранување на приклучокот на дувалката

За прикачување на приклучокот на дувалката, порамнете го издадениот дел од портата на приклучокот на дувалката со жлебот на отворот за вентилација, а потоа притиснете го додека на кликне.

► **Сл.31:** 1. Приклучок на дувалката

За отстранување на приклучокот на дувалката, повлечете ја портата надолу додека притискате на нејзиниот горен дел, како што е прикажано на сликата.

► **Сл.32**

## Дување

Насочете го врвот од приклучокот на дувалката кон предметот што треба да се издува, а потоа вклучете го алатот.

► **Сл.33**

## ОДРЖУВАЊЕ

**⚠ВНИМАНИЕ:** Пред секоја проверка или одржување, секогаш проверувајте дали алатот е исклучен и касетата за батеријата е извадена.

**ЗАБЕЛЕШКА:** За чистење, не користете нафта, бензин, разредувач, алкохол или слично. Тие средства ја вадат бојата и може да предизвикаат деформации или пукнатини.

За да се одржи БЕЗБЕДНОСТА и СИГУРНОСТА на производот, поправките, одржувањата или дотерувањата треба да се вршат во овластени сервисни или фабрички центри на Makita, секогаш со резервни делови од Makita.

## Чистење

Од време на време бришете ја надворешноста (телото на правосмукалката) на правосмукалката со помош на крпа натопена во вода со сапуница. Исто така, исчистете го отворот на смукалката, подрачјето за монтирање на вреќата за прав/хартиениот филтер и запирачот на прав.

► **Сл.34**

Измийте ја вреќата за прав со вода со сапуница ако е затната со прав и со тоа моќноста на чистачот станала послаба. Целосно исушете ја пред употребата. Недоволно исушениот филтер може да предизвика намалена моќност на смукање и да го скрати работниот век на моторот.

► **Сл.35**

**НАПОМЕНА:** Хартиениот филтер служи за една употреба и се фрла во отпад по употребата.

Кога сунѓерестиот филтер е затнат со прав, извадете го од правосмукалката и избришете го или измијте го со вода.

## Вадење и монтирање на сунѓерестиот филтер

**▲ ВНИМАНИЕ:** Откако ќе го исчистите сунѓерестиот филтер, монтирајте го на правосмукалката. Ако сте го миеле со вода, исушете го пред да го монтирате. Ако сунѓерестиот филтер е недоволно исушен, тоа може да го скрати работниот век на моторот.

За да го извадите сунѓерестиот филтер, извадете ја вреќата за прав или хартиениот филтер, а потоа, фатете го и извадете го надвор.

► **Сл.36:** 1. Сунѓерест филтер

Притиснете целосно на работ од сунѓерестиот филтер на вдлабнатиот сид внатре во подрачјето за монтирање на вреќата за прав/хартиениот филтер.

► **Сл.37:** 1. Вдлабнат сид

## Складирање

**▲ ПРЕДУПРЕДУВАЊЕ:** Никогаш не оставајте ги касетата за батерија и полначот во автомобил. Температурата во внатрешноста на автомобилот што е на сонце може да надмине 50°C (122°F). Тоа може да предизвика касетата за батерија да се расипе и да резултира со исфрлање течност, емисија на чад или пожар.

► **Сл.38**

## Решавање проблеми

Пред да побарате поправка, проверете ги следниве точки.

Симптом	Подрачје што треба да се испита	Метод на зацврстување
Слаба сила на смукање	Дали вреќата за прав или хартиениот филтер се полни со прав?	Испразнете ја вреќата за прав или хартиениот филтер.
	Дали вреќата за прав е затната?	Испразнете го правот или измијте ја вреќата за прав.
	Дали хартиениот филтер е затнат?	Заменете го хартиениот филтер.
	Дали касетата со батерија е испразнета?	Променете ја касетата за батеријата.
Не работи	Дали касетата со батерија е испразнета?	Променете ја касетата за батеријата.
Капакот на кутијата за прав не се затвора	Дали вреќата за прав или хартиениот филтер се поставени?	Поставете ги вреќата за прав или хартиениот филтер.

**ЗАБЕЛЕШКА:** Не обидувајте се самите да ја поправате правосмукалката.

## ОПЦИОНАЛЕН ПРИБОР

**▲ ВНИМАНИЕ:** Овој прибор или додатоци се препорачуваат за користење со алатот од Makita дефиниран во упатството. Со користење друг прибор или додатоци може да се изложите на ризик од телесни повреди. Користете ги приборот и додатоците само за нивната назначена намена.

Ако ви треба помош за повеќе детали за приборот, прашајте во локалниот сервисен центар на Makita.

- Издолжувач (права цевка)
- Додаток
- Додаток за тепих
- Четка за полици
- Додаток за агли

**▲ ПРЕДУПРЕДУВАЊЕ:** Никогаш не користете го полначот додека го складираате во торбата за складирање. Блокирањето на отворот за вентилација може да резултира со емисија на чад или пожар.

► **Сл.39**

**▲ ПРЕДУПРЕДУВАЊЕ:** Никогаш не полнете ја касетата за батеријата со инвертор на возилото. Тоа може да предизвика абнормална топлина и да резултира со пожар.

**▲ ПРЕДУПРЕДУВАЊЕ:** Никогаш не полнете ја касетата за батерија во автомобил. Доколку касетата за батеријата е изложена на температурен опсег надвор од 10°C (50 °F) - 40°C (104 °F), тоа може да создаде топлина и/или пожар или да експлодира.

**▲ ВНИМАНИЕ:** Кога не ја користите правосмукалката, секогаш складирајте го црево то како што е прикажано на сликата за да се избегне соннување. Одвитканото црево може да ви го фати стапалото и да предизвика телесна повреда.

► **Сл.40:** 1. Кука 2. Црево

- Кружна четка
- Флексибилно црево
- Хартиен филтер
- Наставка
- Додаток за седишта
- Додаток за уреди
- Прилог циклон
- Вреќа за прав
- Вреќа за прав со високи перформанси
- Мека торба
- Оригинална батерија и полнач на Makita

**НАПОМЕНА:** Некои ставки на листата може да се вклучени со алатот како стандарден прибор. Тие може да се разликуваат од држава до држава.

## УПОЗОРЕЊЕ

Деца старија од 8 година, особе са ограниченим физичким, сензорним или менталним способностима, као и особе без искуства и знања могу да користе овај апарат ако су под надзором или су били обучени о безбедној употреби апарата и разумеју потенцијалне опасности у вези са његовом употребом. Деца не смеју да се играју апаратом. Деца не смеју да чисте апарат и да обављају корисничко одржавање без надзора.

## ТЕХНИЧКИ ПОДАЦИ

Модел:		DCL184
Капацитет	са врећом за прашину	500 мл
	са папирним филтером	330 мл
Коришћење (са батеријом BL1830B)	1 (Режим нормалне брзине)	Приближ. 80 мин
	2 (Режим велике брзине)	Приближ. 30 мин
	3 (Режим највеће брзине)	Приближ. 20 мин
Укупна дужина (са батеријом BL1830B)		365 мм
Номинални напон		DC 18 V
Нето тежина		1,8 – 2,2 кг

- На основу нашег непрестаног истраживања и развоја задржавамо право измена наведених техничких података без претходне најаве.
- Спецификације могу да се разликују у различитим земљама.
- Тежина не укључује други прибор осим уложака батерије. У табели су приказане најлакше и најтеже комбинације тежине уређаја и уложка батерије.

## Применљив уложак батерије и пуњач

Уложак батерије	BL1815N / BL1820 / BL1820B / BL1830 / BL1830B / BL1840 / BL1840B / BL1850 / BL1850B / BL1860B
Пуњач	DC18RC / DC18RD / DC18RE / DC18SD / DC18SE / DC18SF / DC18SH

- Неки горенаведени улошки батерија и пуњачи можда неће бити доступни у зависности од места становања.

**▲УПОЗОРЕЊЕ:** Користите само горенаведене уложке батерије и пуњаче. Коришћење других уложака батерије и пуњача може узроковати повреде и/или пожар.

## Симболи

У наставку су приказани симболи који се односе на опрему. Пре употребе се обавезно упознајте са њиховим значењем.



Прочитајте упутство за употребу.



Само за земље ЕУ  
Немојте да одлажете електричну опрему или батерију заједно са отпадом из домаћинства! У складу са европским директивама о електричном и електронском отпаду, батеријама и акумулаторима и истрошеним батеријама и акумулаторима и применом ових директива у складу са државним законима, електричну опрему, батерије и њихова паковања на крају радног века неопходно је одвојено прикупити и вратити у еколошки прихватљиво постројење за рециклажу.

## Намена

Овај алат је намењен за сакупљање суве прашине.

# БЕЗБЕДНОСНА УПОЗОРЕЊА

## Безбедносна упозорења за бежични чистач

**▲ УПОЗОРЕЊЕ: ВАЖНО ПАЖЉИВО ПРОЧИТАЈТЕ** сва безбедносна упозорења и упутства **ПРЕ КОРИШЋЕЊА**. Непоштовање упозорења и упутстава може изазвати струјни удар, пожар и/или тешке телесне повреде.

1. Алат немојте излагати киши. Чувајте у затвореном.
2. Не дозволите да се алат користи као играчка. Неопходна је велика пажња приликом коришћења алата од стране или у близини деце.
3. Користите алат само на начин описан у овом приручнику. Користите искључиво наставке које препоручује произвођач.
4. Немојте да користите алат са оштећеном батеријом. Ако апарат не ради правилно, ако се испусти, оштети, остави напољу или упадне у воду, вратите га у сервисни центар.
5. Немојте руковати апаратом мокрым рукама.
6. Не стављајте никакве предмете у отворе. Немојте да користите алат ако је неки отвор блокиран; уклањајте прашину, отпатке од предива, длаке и све што би могло да умањи проток ваздуха.
7. Држите косу, широку одећу, прсте и све делове тела даље од отвора и покретних делова.
8. Пре уклањања батерије искључите све контроле.
9. Будите нарочито пажљиви када чистите док сте на степеницама.
10. Немојте да користите уређај за сакупљање запаљивих течности као што је бензин, или у подручјима у којима би оне могле да буду присутне.
11. За пуњење користите искључиво пуњач који је доставио произвођач.
12. Немојте да сакупљате ништа што гори или се дими, као што су цигарете, шибице или врели пепео.
13. Немојте да користите уређај без постављене вреће за прашину и/или филтера.
14. Немојте да пуните батерију на отвореном.
15. Пуните батерију искључиво помоћу пуњача који је навео произвођач. Ако се пуњач који је намењен за одређену врсту батерије користи са другом батеријом, може да дође до опасности од пожара.

16. Електричне алате користите само са батеријама које су предвиђене за њих. Коришћење других врста батерија може да изазове ризик од повреде и пожара.
17. Када се батерија не користи, држите је даље од других металних предмета, попут спајалица, новчића, кључева, ексера, завртања и других малих металних предмета који могу да преспоје два прикључка.
18. У случају злоупотребе батерије из ње може исцурити течност. У том случају, пазите да не дођете у додир с њом. Ако случајно дођете у додир с батеријом, исперите место додира водом.
19. Немојте да користите батерију или алат који су оштећени или модификовани. Оштећене или модификоване батерије могу испољити непредвидиво понашање које може довести до пожара, експлозије или ризика од задобијања повреда.
20. Немојте да излажете батерију или алат ватри или високој температури. Излагање ватри или температури изнад 130 °C може довести до експлозије.
21. Придржавајте се свих упутстава за пуњење и немојте да пуните батерију или алат изнад опсега температуре који је наведен у упутствима. Неисправно пуњење или пуњење на температурама изнад наведеног опсега може оштетити батерију и повећати ризик од пожара.

## САЧУВАЈТЕ ОВО УПУТСТВО.

## ДОДАТНА БЕЗБЕДНОСНА ПРАВИЛА

Овај уређај је намењен за кућну употребу.

1. Пре употребе пажљиво прочитајте овај приручник са упутствима и приручник са упутствима за пуњач.
2. Немојте да скупљате следеће материјале:
  - Вреле материјале, као што су запаљене цигарете или варнице / метална прашина настала брушењем/сечењем метала
  - Запаљиве материјале као што су бензин, разређивач, керозин или фарба
  - Експлозивне материјале као што је нитроглицерин
  - Запаљиве материјале као што су алуминијум, цинк, магнезијум, титанијум, фосфор или целулоид
  - Мокру прашину, воду, уље и слично
  - Чврсте предмете са оштрим ивицама, као што су опилци дрвета, метали, камен, стакло, ексери, клинови или жилети
  - Прах који се згрушава, као што је цемент или тонер
  - Проводну прашину попут металне или угљене прашине

— **Фине честице, као што је бетонска прашина**

**То би могло да доведе до пожара, повреде и/или оштећења имовине.**

3. **Одмах престаните са радом ако приметите било шта необично.**
4. **Ако испустите или ударите чистач, пре рада пажљиво проверите да ли на њему има пукотина или оштећења.**
5. **Немојте да користите уређај у близини шпорета или других топлотних извора.**
6. **Немојте да блокирате улазни отвор или вентилационе отворе.**

## **САЧУВАЈТЕ ОВО УПУТСТВО.**

### **Важна безбедносна упутства која се односе на уложак батерије**

1. **Пре употребе уложка батерије, прочитајте сва упутства и безбедносне ознаке на (1) пуњачу батерије, (2) батерији и (3) производу који користи батерију.**
2. **Не растављајте и не модификујте уложак батерије.** Тиме можете да изазовете пожар, прекомерно загревање или експлозију.
3. **Ако се време рада знатно скратило, одмах престаните са коришћењем.** То може да доведе до ризика од прегревања, могућих опекотина, па чак и експлозије.
4. **Ако електролит доспе у очи, исперите их чистом водом и одмах затражите помоћ лекара.** То може да доведе до губитка вида.
5. **Немојте да изазивате кратак спој уложка батерије:**
  - (1) **Немојте додиривати прикључке било којим проводним материјалом.**
  - (2) **Избегавајте складиштење уложка батерије у кутији са другим металним предметима као што ексери, новчићи итд.**
  - (3) **Немојте да излажете уложак батерије води или киши.**

**Кратак спој батерије може да доведе до великог протока струје, прегревања, могућих опекотина, па чак и прегоривања.**

6. **Немојте да складиштите и користите алат и уложак батерије на местима где температура може да достигне или премаше 50 °C (122 °F).**
7. **Немојте да палите уложак батерије чак ни када је озбиљно оштећен или потпуно похабан.** Уложак батерије може да експлодира у ватри.
8. **Немојте да закивате, сечете, ломите, бацате или испуштате уложак батерије, или да њиме ударате по чврстој површини.** На тај начин можете да изазовете пожар, прекомерно загревање или експлозију.
9. **Немојте да користите оштећену батерију.**
10. **Садржане литијум-јонске батерије подлежу Закону о превозу опасних материја.** Приликом комерцијалног превоза, нпр. од стране трећих лица и превозника, мора се обратити посебна пажња на специјалне захтеве паковања и обележавања.

Приликом припреме материјала за превоз, потребно је саветовати се са стручњаком за опасне материје. Такође обратите пажњу на евентуалне даље националне прописе. Омотајте траком или прекријте отворене контакте и запакујте батерију тако да се не може померати унутар паковања.

11. **Када одлажете уложак батерије на отпад, извадите га из алата и одложите на безбедно место.** Придржавајте се локалних прописа у вези са одлагањем батерије.
12. **Батерије користите само са производима које је навела компанија Makita.** Постављање батерије на производе који нису усаглашени може да доведе до пожара, прекомерне топлоте, експлозије или цурења електролита.
13. **Ако се алат не користи током дужег периода, батерија мора да се извади из алата.**
14. **Током и након коришћења, уложак батерије може да акумулира толико топлоте да то може довести до опекотина, уобичајених и нискотемпературних.** Пажљиво рукујте врућим улошцима батерије.
15. **Не додирујте контакте алата одмах након коришћења јер су можда толико врући да могу да изазову опекотине.**
16. **Водите рачуна да се струготина, прашина или земља не заглаве у контактима, рупицама и жлебовима уложка батерије.** У супротном може доћи до лошег утичка или прегоривања алата или уложка батерије.
17. **Осим ако алат то не подржава, немојте да користите уложак батерије близу високонапонских разводних линија електричне струје.** У супротном може доћи до квара или прегоривања алата или уложка батерије.
18. **Држите батерију ван домаћаја деце.**

## **САЧУВАЈТЕ ОВО УПУТСТВО.**

**ПАЖЊА:** Користите само оригиналне Makita батерије. Коришћење Makita батерија које нису оригиналне или батерија које су измењене може да доведе до пуцања батерије, које може да изазове пожар, телесне повреде или штету. То ће такође поништити гаранцију компаније Makita за Makita алат и пуњач.

## **Савети за максимално трајање батерије**

1. **Напуните уложак батерије пре него што се потпуно испразни.** Сваки пут прекините рад са алатом и напуните уложак батерије када приметите да је снага алата слабија.
2. **Никада немојте да поново пуните потпуно напуњени уложак батерије.** Препуњавање скраћује радни век батерије.
3. **Пуните уложак батерије на собној температури између 10°C и 40°C (између 50°F и 104°F).** Сачекајте да се врући уложак батерије охлади пре пуњења.
4. **Када не користите уложак батерије, извадите га из алата или пуњача.**
5. **Напуните уложак батерије ако га нећете користити дужег време (више од шест месеци).**

## ОПИС НАЧИНА ФУНКЦИОНИСАЊА

**ПАЖЊА:** Пре подешавања или провере функција алата увек проверите да ли је алат искључен и да ли је уложак батерије уклоњен.

**ПАЖЊА:** Приликом убацивања батерије водите рачуна да вам се прсти не заглаве између чистача и батерије. Заглављивање прстију може да доведе до повреде.

### Постављање и уклањање улошка батерије

**ПАЖЊА:** Увек искључите алат пре постављања или уклањања улошка батерије.

**ПАЖЊА:** Држите чврсто алат и уложак батерије када постављате или уклањате уложак батерије. Ако алат и уложак батерије не будете држали чврсто, могу вам исклизнути из руку, оштетити се при паду и повредити вас.

► **Слика 1:** 1. Црвени индикатор 2. Дугме 3. Уложак батерије

Да бисте уклонили уложак батерије, клизањем га извучите из алата док клизањем померате дугме на предњој страни улошка.

Да бисте поставили уложак батерије, поравнајте језичак на њему са жлебом на кућишту и гурните га на место. Гурните га до краја тако да легне на своје место и чује се тихо шкљоцање. Ако можете да уочите црвени индикатор на горњој страни дугмета, то значи да уложак батерије није потпуно закључан.

**ПАЖЊА:** Увек до краја гурните уложак батерије тако да се црвени индикатор не види. У супротном, он случајно може испасти из алата и повредити вас или неку особу у вашој близини.

**ПАЖЊА:** Немојте на силу да постављате уложак батерије. Ако уложак не можете лако да гурнете, то значи да га не постављате исправно.

### Систем за заштиту алата/батерије

Алат је опремљен системом за заштиту алата/батерије. Овај систем аутоматски прекида напајање мотора како би продужио век трајања алата и батерије. Алат ће се аутоматски зауставити током рада ако алат или батерија уђу у једно од следећих стања. У извесним стањима се укључује индикаторска лампица.

► **Слика 2:** 1. Индикаторска лампица

### Заштита од преоптерећења

Када се алатом ради на начин који захтева изузетно велику потрошњу струје, алат аутоматски престаје са радом, а индикатор светли око 60 секунди. У овој ситуацији, искључите алат и престаните са употребом која је довела до преоптерећења алата. Затим укључите алат да бисте га поново покренули.

### Заштита од прегревања

Када се алат или батерија прегреју, алат аутоматски престаје са радом, а индикатор батерије светли око 60 секунди. Алат се не покреће чак и ако га укључите. У овом случају, пустите да се батерија охлади пре поновног укључивања алата.

### Заштита од превеликог пражњења

Када преостали капацитет батерије постане низак, индикатор трепери. Ако наставите са употребом, алат престаје са радом, а индикатор светли око 60 секунди. Ако укључите алат, мотор ће се поново покренути, али ће се убрзо зауставити. У том случају напуните уложак батерије.

**НАПОМЕНА:** Време у које ће се лампица укључити зависи од температуре радног окружења и стања улошка батерије.

### Приказ преосталог капацитета батерије

**Само за улошке батерије са индикатором**

► **Слика 3:** 1. Индикаторске лампице 2. Дугме за проверу

Притисните дугме за проверу на улошку батерије да бисте приказали преостали капацитет батерије. Индикаторске лампице ће се укључити на неколико секунди.

Индикаторске лампице			Преостали капацитет
Светли	Искључено	Трепће	
			Од 75% до 100%
			Од 50% до 75%
			Од 25% до 50%
			Од 0% до 25%
			Напуните батерију.
			Могуће је да је батерија постала неисправна.

**НАПОМЕНА:** У зависности од услова коришћења и температуре околине, приказани капацитет може донекле да се разликује од стварног.

### Функционисање прекидача

► **Слика 4:** 1. Дугме за УКЉУЧИВАЊЕ / промену брзине 2. Дугме за ИСКЉУЧИВАЊЕ

Да бисте укључили чистач, једноставно притисните дугме за УКЉУЧИВАЊЕ / промену брзине. За искључивање притисните дугме за ИСКЉУЧИВАЊЕ.

Брзину чистача можете да промените у три корака тако што ћете притиснути дугме за УКЉУЧИВАЊЕ / промену брзине.

Први притисак на дугме је за режим велике брзине, други је за режим највеће брзине и трећи је за нормалну брзину. Свакиком притиском на овај тастер понавља се циклус веће/највеће/нормалне брзине.



# СКЛАПАЊЕ

**▲ ПАЖЊА:** Пре обављања било каквог посла на алату увек проверите да ли је он искључен и да ли је уложак батерије уклоњен.

## Врећа за прашину и папирни филтер

Пре употребе чистача поставите или врећу за прашину или папирни филтер.

Приликом постављања вреће за прашину или папирног филтера користите затварач против прашине.

Врећу за прашину можете да користите више пута након што је испразните.

Папирни филтер се баца. Баците цели папирни филтер без пражњења када се напуни.

**ОБАВЕШТЕЊЕ:** Да бисте спречили да прашина доспе у мотор:

- Постарајте се да пре употребе буду постављени врећа за прашину или папирни филтер.
- Поставите затварач против прашине до краја у прорезе заједно са врећом за прашину или папирним филтером.
- Немојте користити оштећену или поцепану врећу.

У супротном, мотор може да се поквари.

**ОБАВЕШТЕЊЕ:** Немојте да савијате картон на њеном отвору када постављате папирни филтер.

**ОБАВЕШТЕЊЕ:** Никада не бацајте затварач против прашине јер он мора да се користи увек када користите врећу за прашину или папирни филтер за прашину.

**ОБАВЕШТЕЊЕ:** Папирни филтер за чистач је значајна компонента за функционисање алата. Коришћење било ког другог папирног филтера осим оригиналног може довести до дима или паљења.

## Постављање вреће за прашину

Приликом постављања вреће за прашину користите затварач против прашине. Водите рачуна да не помешате горњу и доњу страну јер се оне међусобно разликују.

► **Слика5:** 1. Горња страна затварача против прашине 2. Доња страна затварача против прашине

1. Убаците избочину на врећи за прашину у жлеб на затварачу против прашине као што је приказано на слици.

Гоња и доња страна вреће за прашину се не разликују. Можете да убаците избочину на било којој страни у жлеб затварача против прашине.

► **Слика6:** 1. Затварач против прашине 2. Жлеб 3. Врећа за прашину

2. Оквир затварача против прашине преклопите са оквиром вреће за прашину.

► **Слика7**

3. Поставите затварач против прашине и врећу за прашину у шупљину чистача, у смеру стрелице на затварачу против прашине. Убаците их до краја у прорезе у шупљини чистача.

► **Слика8:** 1. Прорез

4. Убаците у алат комплетан платнени део вреће за прашину.

► **Слика9**

5. Потпуно затворите поклопац кућишта за прашину.

► **Слика10:** 1. Поклопац кућишта за прашину

**НАПОМЕНА:** Када врећа за прашину није постављена на чистач, поклопац кућишта за прашину се не затвара до краја.

## Постављање папирног филтера

Користите затварач против прашине и када постављате папирни филтер. Водите рачуна да не помешате горњу и доњу страну јер се оне међусобно разликују.

► **Слика11:** 1. Горња страна затварача против прашине 2. Доња страна затварача против прашине

1. Размотајте улазни део папирног филтера пре него што га поставите на затварач против прашине.

► **Слика12**

2. Убаците избочину на папирном филтеру у жлеб на затварачу против прашине као што је приказано на слици.

Горња и доња страна папирног филтера се не разликују. Можете да убаците избочину на било којој страни у жлеб затварача против прашине.

► **Слика13:** 1. Затварач против прашине 2. Жлеб 3. Папирни филтер

3. Оквир затварача против прашине преклопите са оквиром папирног филтера.

► **Слика14**

4. Поставите затварач против прашине и папирни филтер у шупљину чистача, у смеру стрелице на затварачу против прашине. Убаците их до краја у прорезе у шупљини чистача.

► **Слика15:** 1. Прорез

5. Убаците у алат комплетан сабирни део папирног филтера.

► **Слика16**

6. Потпуно затворите поклопац кућишта за прашину.

► **Слика17:** 1. Поклопац кућишта за прашину

**НАПОМЕНА:** Када папирни филтер није постављен на чистач, поклопац кућишта за прашину се не затвара до краја.

## Постављање каиша за раме

**▲ПАЖЊА:** Пазите да се каиш за раме не закачи за неки предмет у окружењу.

**▲ПАЖЊА:** Пазите да вам каиш за раме не склизне са рамена док користите чистач. Да бисте стабилно руковали чистачем, препоручујемо да каиш за раме носите тако да укосо прелази преко груди.

Поставите куке каиша за раме на држаче на усисивачу као што је приказано на слици.

► **Слика18:** 1. Каиш за раме 2. Кука 3. Држач

**НАПОМЕНА:** Можете да поставите каиш за раме и на меку врећу (опциони додатни прибор), као што је приказано на слици.

► **Слика19:** 1. Каиш за раме 2. Мека врећа

## РАД

**▲ПАЖЊА:** Увек држите ручку док носите чистач. Ако носите чистач држећи га за додатак, он може да се откачи и доведе до телесне повреде.

**▲ПАЖЊА:** Немојте да користите апарат када возите аутомобил или ако мотор ради.

**▲ПАЖЊА:** Немојте да хватате спој црева на начин приказан на слици. Ако тако хватате спој црева, можете да укљештите прст.

► **Слика20:** 1. Спој црева

## Коришћење уређаја за усисавање

**НАПОМЕНА:** Уклоните додатак за издувавање пре коришћења функције усисивача. Ако је додатак за издувавање монтиран на чистач, умањује се снага усисавања.

## Постављање или уклањање додатка чистача

Да бисте повезали неки наставак, као што је млазница, убаците га уз окретање и чврсто фиксирајте. Да бисте скинули додатак, уклоните га уз окретање.

Начин монтирања се разликује у зависности од млазнице, као што је приказано.

► **Слика21:** 1. Црево 2. Гумена млазница 3. Мекана четка 4. Млазница за седишта 5. Млазница за поднице

## Усисавање

### Гумена млазница

Ова млазница је практична за чишћење ниских ћошкова, попут преграда у вратима. Гумена млазница не оштећује површину која се чисти.

► **Слика22:** 1. Гумена млазница

## Мекана четка

Ова млазница је практична за чишћење отвора за вентилацију, командне табле итд. Глава мекане четке може да се окрене у прав угао.

► **Слика23:** 1. Мекана четка

## Млазница за седишта

Ова млазница има четку за уклањање длачица, која служи за чишћење површине седишта. Бочна четка на млазници је корисна за извлачење прашине из шавова.

► **Слика24:** 1. Млазница за седишта 2. Бочна четка

## Млазница за поднице

Ова млазница се користи за чишћење подница и тепиха. Зупци на млазници олакшавају извлачење честица песка.

► **Слика25:** 1. Млазница за поднице

**ОБАВЕШТЕЊЕ:** Увек користите млазницу за поднице да бисте очистили поднице. Коришћење млазнице за поднице за друге материјале може да оштети површину.

## Чишћење без млазнице

Можете да усисавате и без млазнице.

► **Слика26**

## Одлагање прашине

**▲ПАЖЊА:** Испразните врећу за прашину или папирни филтер пре него што се напуне. Ако то не урадите, снага усисавања/дувања се смањује.

**▲ПАЖЊА:** Приликом затварања поклопца кућишта за прашину пазите да не уштинете прсте.

**ОБАВЕШТЕЊЕ:** Никада не бацајте затварач против прашине јер би он требало да се користи увек када користите врећу за прашину или папирни филтер.

**ОБАВЕШТЕЊЕ:** Када врећа за прашину/папирни филтер нису постављени унутар чистача, поклопац кућишта за прашину се не затвара до краја. Немојте на силу затварати поклопац кућишта за прашину. То може да доведе до кривљења или лома алата.

**ОБАВЕШТЕЊЕ:** Када одлажете прашину у отпад, очистите и простор за папирни филтер/врећу за прашину. Ако у том простору остане прашине и прљавштине, сунђерасти филтер може да се запуши и може да дође до оштећења мотора.

1. Отворите поклопац кућишта за прашину.

► **Слика27:** 1. Поклопац кућишта за прашину

2. Истовремено извуците наранџасти затварач против прашине и врећу за прашину/папирни филтер.

► **Слика28:** 1. Затварач против прашине

### 3. Када користите врећу за прашину

Уклоните затварач против прашине и испразните врећу за прашину.

- **Слика29:** 1. Затварач против прашине 2. Врећа за прашину

### Када користите папирни филтер

Уклоните затварач против прашине и одложите папирни филтер у отпад.

- **Слика30:** 1. Затварач против прашине 2. Папирни филтер

4. Поставите врећу за прашину/нови папирни филтер и затварач против прашине заједно у чистач и затворите затварач против прашине.

## Коришћење уређаја за издувавање

**▲ПАЖЊА:** Никада не усмеравајте млазницу у било кога у близини.

**▲ПАЖЊА:** Да бисте спречили удисање прашине, препоручујемо да отворите прозоре и носите заштитне наочаре и маску док радите.

**▲ПАЖЊА:** Не повлачите додатак за издувавање. Може да спадне са чистача.

**▲ПАЖЊА:** Немојте да користите чистач за издувавање ваздуха у предмете као што су гумени сплавови, лопте или други предмети на надувавање. Повећани број обртаја мотора може да проузрокује опасан квар вентилатора.

**▲ПАЖЊА:** Никада не блокирајте улаз за усисавање и/или излаз за ваздух. Обратите пажњу да не блокирате улаз за усисавање или излаз за ваздух прашином или прљавштином када користите дувалицу у прашњавој средини.

**▲ПАЖЊА:** Користите само млазнице које је произвела компанија Makita.

## Постављање или уклањање додатка за издувавање

Да бисте поставили додатак за издувавање, поравнајте испупчење на прикључку додатка за издувавање са жлебом на отвору, а затим га гурајте док не кликне.

- **Слика31:** 1. Додатак за издувавање

Да бисте уклонили додатак за издувавање, повуците прикључак на доле док притискате његов врх, као што је приказано.

- **Слика32**

## Издубавање

Усмерите врх додатка за издувавање ка предмету који желите да одувате, па укључите алат.

- **Слика33**

## ОДРЖАВАЊЕ

**▲ПАЖЊА:** Пре него што почнете с прегледом или одржавањем алата, искључите алат и уклоните уложак батерије.

**ОБАВЕШТЕЊЕ:** Никад немојте да користите нафту, бензин, разређивач, алкохол и слична средства. Може доћи до губитка боје, деформације или оштећења.

БЕЗБЕДАН и ПОУЗДАН рад алата гарантујемо само ако поправке, свако друго одржавање или подешавање, препустите овлашћеном сервису компаније Makita или фабричком сервису, уз употребу оригиналних резервних делова компаније Makita.

## Чишћење

С времена на време обришите спољашњост (кућиште) чистача помоћу тканине натопљене сапуницом.

Такође очистите усисни отвор, подручје за монтажу вреће за прашину / папирног филтера и затварач против прашине.

- **Слика34**

Врећу за прашину оперите сапуницом када се запуши од прашине и када се смањи снага чистача. Добро је осушите пре употребе. Недовољно осушен филтер може да доведе до лошег усисавања и скрати радни век мотора.

- **Слика35**

**НАПОМЕНА:** Папирни филтер се баца.

Када се прашина нагомила на сунђерастом филтеру, скините га са чистача и обришите га или оперите водом.

## Скидање и постављање сунђерастог филтера

**▲ПАЖЊА:** Након чишћења сунђерастог филтера обавезно га поставите у чистач. Ако га перете водом, осушите га пре постављања. Недовољно осушен сунђерасти филтер може да скрати радни век мотора.

Да бисте скинули сунђерасти филтер, уклоните врећу за прашину или папирни филтер, а затим га ухватите прстима и извучите.

- **Слика36:** 1. Сунђерасти филтер

Утисните целу ивицу сунђерастог филтера у увучени зид у подручју за монтажу вреће за прашину / папирног филтера.

- **Слика37:** 1. Увучени зид

## Чување

**⚠ УПОЗОРЕЊЕ:** Никада немојте да остављате уложак батерије и пуњач у аутомобилу. Температура унутар аутомобила који је остављен на сунцу може да премаши 50 °C (122 °F). То може да доведе до оштећења уложка батерије и избацивања течности, појаве дима или пожара.

► Слика38

**⚠ УПОЗОРЕЊЕ:** Никада немојте да користите пуњач док се налази у торби за одлагање. Ако се вентилациони отвор блокира, може да дође до појаве дима или пожара.

► Слика39

**⚠ УПОЗОРЕЊЕ:** Никада немојте да пуните уложак батерије помоћу адаптера у возилу. То може да доведе до прекомерног загревања и пожара.

**⚠ УПОЗОРЕЊЕ:** Никада немојте да пуните уложак батерије у аутомобилу. Ако се уложак батерије изложи температури која је ван опсега 10 °C (50 °F) – 40 °C (104 °F), може да дође до стварања прекомерне топлоте и/или пожара или експлозије.

**⚠ ПАЖЊА:** Када не користите чистач, увек чувајте црево на начин приказан на слици да бисте избегли салпитање. Ако је црево одвијено, може да вам закачи стопало и доведе до телесних повреда.

► Слика40: 1. Кука 2. Црево

## Решавање проблема

Пре него што затражите поправку, проверите следеће ставке.

Симптом	Шта треба проверити	Начин поправке
Мала усисна снага	Да ли су врећа за прашину или папирни филтер пуни прашине?	Испразните врећу за прашину или папирни филтер.
	Да ли је врећа за прашину запушена?	Истресите или оперите врећу за прашину.
	Да ли је папирни филтер запушен?	Замените папирни филтер.
	Да ли се уложак батерије испразнио?	Напуните уложак батерије.
Не ради	Да ли се уложак батерије испразнио?	Напуните уложак батерије.
Поклопац кућишта за прашину се не затвара	Да ли су врећа за прашину или папирни филтер постављени?	Поставите врећу за прашину или папирни филтер.

**ОБАВЕШТЕЊЕ:** Не покушавајте да сами поправите чистач.

## ОПЦИОНИ ПРИБОР

**⚠ ПАЖЊА:** Ова опрема и прибор су предвиђени за употребу са алатом Makita описаним у овом упутству за употребу. Употреба друге опреме и прибора може да доведе до повреда. Користите делове прибора или опрему искључиво за предвиђену намену.

Да бисте добили више детаља у вези са овим прибором, обратите се локалном сервисном центру компаније Makita.

- Продужна цев (права цев)
- Млазница
- Млазница за тепих
- Четка за полице
- Угаона цев
- Округла четка
- Савитљиво црево
- Папирни филтер
- Слободна млазница
- Млазница за седишта
- Млазница за превоје
- Додатак за циклон

- Врећа за прашину
- Врећа за прашину са високим учинком
- Мека врећа
- Makita оригинална батерија и пуњач

**НАПОМЕНА:** Поједине ставке на листи могу бити укључене у садржај паковања алата као стандардна опрема. Оне се могу разликовати од земље до земље.

## AVERTIZARE

Acest aparat poate fi utilizat de copiii cu vârsta de cel puțin 8 ani și de persoanele cu capacități fizice, senzoriale sau mentale reduse, sau lipsite de experiență și cunoștințe doar dacă sunt supravegheate sau au fost instruite cu privire la utilizarea aparatului în siguranță și înțeleg pericolele implicate. Copiii nu au voie să folosească acest aparat ca jucărie. Curățarea și întreținerea nu vor fi efectuate de copii nesupravegheați.

## SPECIFICAȚII

Model:		DCL184
Capacitate	cu un sac de praf	500 ml
	cu un filtru de hârtie	330 ml
Utilizare continuă (cu baterie BL1830B)	1 (Mod viteză normală)	Aprox. 80 min
	2 (Mod viteză ridicată)	Aprox. 30 min
	3 (Mod viteză max.)	Aprox. 20 min
Lungime totală (cu acumulator BL1830B)		365 mm
Tensiune nominală		18 V cc.
Greutate netă		1,8 - 2,2 kg

- Datorită programului nostru continuu de cercetare și dezvoltare, specificațiile pot fi modificate fără o notificare prealabilă.
- Specificațiile pot varia în funcție de țară.
- Greutatea nu include accesoriile, ci cartușul(ele) acumulatorului. Greutatea combinată cea mai mică și cea mai mare a aparatului și cartușului(elor) acumulatorului sunt prezentate în tabel.

## Cartușul acumulatorului și încărcătorul aplicabile

Cartușul acumulatorului	BL1815N / BL1820 / BL1820B / BL1830 / BL1830B / BL1840 / BL1840B / BL1850 / BL1850B / BL1860B
Încărcător	DC18RC / DC18RD / DC18RE / DC18SD / DC18SE / DC18SF / DC18SH

- Este posibil ca unele cartușe ale acumulatorilor și încărcătoare menționate mai sus să nu fie disponibile în funcție de regiunea dvs. de reședință.

**⚠️ AVERTIZARE:** Utilizați numai cartușele de acumulator și încărcătoarele enumerate mai sus. Utilizarea oricărui altor cartușe de acumulator și încărcătoare poate duce la rănire și/sau incendiu.

## Simboluri

Mai jos sunt prezentate simbolurile care pot fi utilizate pentru echipament. Asigurați-vă că înțelegeți sensul acestora înainte de utilizare.



Citiți manualul de utilizare.



Doar pentru țările din cadrul UE  
Nu aruncați aparatele electrice sau acumulatorii în gunoii menajeri! În conformitate cu Directiva europeană privind deșeurile de echipamente electrice și electronice, bateriile și acumulatorii, precum și bateriile și acumulatorii reziduale și implementarea acestora conform legislației naționale, echipamentele electrice și bateriile și acumulatorii care au ajuns la sfârșitul duratei de viață trebuie colectate separat și reciclate corespunzător în vederea protejării mediului.

## Destinația de utilizare

Acest aparat este destinat colectării prafului uscat.

# AVERTIZĂRI DE SIGURANȚĂ

## Avertismente privind siguranța pentru aspiratorul cu acumulator

**⚠️ AVERTIZARE: IMPORTANT CITIȚI CU ATENȚIE** toate avertizările de siguranță și toate instrucțiunile ÎNAINTE DE UTILIZARE. Nerespectarea acestor avertismente și instrucțiuni poate avea ca rezultat electrocutarea, incendiul și/ sau rănirea gravă.

1. Nu expuneți la ploaie. Depozitați în spații interioare.
2. Nu permiteți utilizarea acestuia ca jucărie. Acordați atenție utilizării acestuia de către copii sau în apropierea copiilor.
3. Utilizați doar în modul descris în acest manual. Utilizați doar accesoriile recomandate de producător.
4. Nu folosiți cu un acumulator uzat. În cazul în care aparatul nu funcționează corespunzător, a suferit șocuri, este deteriorat, a fost depozitat în exterior sau a fost scăpat în apă, returnați-l la un centru de service.
5. Nu manipulați aparatul cu mâinile umede.
6. Nu introduceți obiecte în orificii. A nu se utiliza cu orificiile blocate; ferțiți de praf, scame, păr și orice alte materiale care pot obstrucționa fluxul de aer.
7. Nu vă apropiați părul, hainele largi, degetele și celelalte părți ale corpului de deschideri și de piesele mobile.
8. Dezactivați toate comenzile înainte de a scoate acumulatorul.
9. Acordați atenție specială la curățarea pe trepte.
10. Nu utilizați la colectarea unor lichide inflamabile sau combustibile, cum ar fi benzina și nu utilizați în zone în care acestea ar putea fi prezente.
11. Utilizați doar încărcătorul furnizat de producător pentru reîncărcare.
12. Nu colectați obiecte care ard sau fumează, cum ar fi țigări, chibrituri sau cenușă fierbinte.
13. Nu utilizați fără sac de praf și/sau filtre montate.
14. Nu încărcați acumulatorul în exterior.
15. Efectuați reîncărcarea numai cu încărcătorul specificat de producător. Un încărcător adecvat pentru un anumit tip de acumulator poate prezenta risc de incendiu dacă este utilizat cu alt tip de acumulator.
16. Folosiți mașinile electrice numai cu acumulatorii special destinați acestora. Utilizarea altor acumulatori poate prezenta risc de rănire și de incendiu.

17. Când nu folosiți acumulatorul, țineți-l la distanță de obiecte metalice precum agrafe de birou, monede, chei, cuie, șuruburi sau alte obiecte metalice mici, ce pot constitui o legătură între cele două borne.
18. În condiții extreme, lichidul poate fi eliminat din acumulator; evitați contactul cu acesta. Dacă intrați în contact accidental, clătiți bine cu apă zona afectată.
19. Nu utilizați un acumulator sau o unealtă care este avariată sau modificată. Bateriile avariate sau modificate pot prezenta comportament imprezvizibil ce poate cauza incendii, explozii sau risc de rănire.
20. Nu expuneți un acumulator sau o unealtă la foc sau la temperaturi excesive. Expunerea la foc sau la temperaturi mai mari de 130 °C poate cauza explozii.
21. Urmați toate instrucțiunile de încărcare și nu încărcați acumulatorul sau unealta la temperaturi din afara intervalului specificat în instrucțiuni. Încărcarea incorectă sau la temperaturi din afara intervalului specificat poate cauza deteriorarea bateriei și creșterea riscului de incendiu.

## PĂSTRAȚI ACESTE INSTRUCȚIUNI.

## NORME SUPLIMENTARE DE SECURITATE

Acest aparat este destinat doar uzului casnic.

1. Înainte de utilizare, citiți cu atenție acest manual de instrucțiuni și manualul de instrucțiuni al încărcătorului.
2. Nu aspirați următoarele materiale:
  - Materiale fierbinți, precum țigări aprinse sau praf provenit de la scânteii/metal generat de șlefuirea/taierea metalului
  - Materiale inflamabile precum petrol, diluant, benzină, kerosen sau vopsea
  - Materiale explosive, cum ar fi nitroglicerina
  - Materiale inflamabile, precum aluminiu, zinc, magneziu, titan, fosfor sau celuloid
  - Murdărie umedă, apă, ulei sau alte lichide
  - Obiecte dure cu margini ascuțite, precum așchii de lemn, metale, pietre, sticlă, cuie, ace sau lame
  - Pudră care formează cheag, precum ciment sau toner
  - Praful conductiv, precum praful de metal sau carbon
  - Particule fine, precum praful de betonO astfel de acțiune poate cauza incendii, accidente și/sau daune.
3. Întrerupeți lucrul imediat dacă observați orice anomalie.
4. Dacă scăpați pe jos sau loviți aspiratorul, înainte de utilizare verificați-l cu atenție în privința fisurării sau deteriorării.
5. Nu țineți în apropiere sobelor sau a altor surse de căldură.

6. Nu obturați orificiile de admisie sau de ventilație.

## PĂSTRAȚI ACESTE INSTRUCȚIUNI.

### Instrucțiuni importante privind siguranța pentru cartușul acumulatorului

1. Înainte de a folosi cartușul acumulatorului, citiți toate instrucțiunile și atenționările de pe (1) încărcătorul acumulatorului, (2) acumulator și (3) produsul care folosește acumulatorul.
2. Nu dezasamblați și nu interveniți asupra cartușului acumulatorului. Acest lucru poate cauza incendii, căldură excesivă sau explozii.
3. Dacă timpul de funcționare s-a redus excesiv, întrerupeți imediat funcționarea. Aceasta poate prezenta risc de supraîncălzire, posibile arsuri și chiar explozie.
4. Dacă electrolitul pătrunde în ochi, clătiți bine ochii cu apă curată și consultați imediat un medic. Există risc de orbire.
5. Nu scurtcircuitați cartușul acumulatorului:
  - (1) Nu atingeți bornele cu niciun material conductor.
  - (2) Evitați depozitarea cartușului acumulatorului la un loc cu alte obiecte metalice cum ar fi cuie, monede etc.
  - (3) Nu expuneți cartușul acumulatorului la apă sau ploaie.

Un scurtcircuit al acumulatorului poate provoca un flux puternic de curent electric, supraîncălzire, posibile arsuri și chiar defectarea mașinii.

6. Nu depozitați și nu utilizați mașina și cartușul acumulatorului în locuri în care temperatura poate atinge sau depăși 50 °C (122 °F).
7. Nu incinerați cartușul acumulatorului chiar dacă acesta este grav deteriorat sau complet uzat. Cartușul acumulatorului poate exploda în foc.
8. Nu introduceți cuie în cartușul acumulatorului, nu îl tăiați, striviți, aruncați sau scăpați și nu îl loviți cu un obiect dur. Astfel de acțiuni pot provoca incendii, căldură excesivă sau explozii.
9. Nu utilizați un acumulator deteriorat.
10. Acumulatorii Li-Ion încorporați se supun cerințelor Legislației privind substanțele periculoase.

Pentru transporturi comerciale, efectuate de exemplu de către părți terțe, expeditori, trebuie respectate cerințele speciale de ambalare și etichetare.

Pentru pregătirea articolului care urmează să fie expediat, este necesară consultarea unui expert în materiale periculoase. Vă rugăm să respectați, de asemenea, reglementările naționale, care pot fi mai detaliate.

Izolați sau acoperiți contactele deschise și împachetați acumulatorul în așa fel încât să nu se poată mișca în ambalaj.

11. Atunci când eliminați la deșeurile cartușul acumulatorului, scoateți-l din mașină și eliminați-l într-un loc sigur. Respectați normele naționale privind eliminarea la deșeurile a acumulatorului.
12. Utilizați acumuloarele numai cu produsele specificate de Makita. Instalarea acumulatorilor în produse neconforme poate cauza incendii, căldură excesivă, explozii sau scurgeri de electrolit.
13. Dacă mașina nu este utilizată o perioadă lungă de timp, acumulatorul trebuie scos din acesta.
14. În timpul utilizării și după aceea, cartușul acumulatorului se poate încălzi, ceea ce poate cauza arsuri sau arsuri la temperaturi scăzute. Fiți atenți la manipularea cartușelor de acumulator atunci când sunt fierbinți.
15. Nu atingeți borna mașinii imediat după utilizare, întrucât se poate încălzi foarte tare și poate provoca arsuri.
16. Nu lăsați să pătrundă așchii, praf sau pământ în borne, în orificii și în canelurile cartușului acumulatorului. Acest lucru poate duce la o performanță slabă sau poate cauza defectarea mașinii sau a cartușului acumulatorului.
17. Nu utilizați cartușul acumulatorului în apropierea liniilor electrice de înaltă tensiune, cu excepția cazului în care mașina suportă utilizarea în apropierea liniilor electrice de înaltă tensiune. Acest lucru poate duce la funcționarea necorespunzătoare sau la defectarea mașinii sau a cartușului acumulatorului.
18. Țineți acumulatorul la distanță de copii.

## PĂSTRAȚI ACESTE INSTRUCȚIUNI.

**⚠ATENȚIE:** Folosiți numai acumulatori Makita originali. Acumulatorii Makita care nu sunt originali și acumulatorii care au suferit modificări se pot aprinde, provocând incendii, leziuni corporale și daune. De asemenea, anulează garanția oferită de Makita pentru unealta și încărcătorul Makita.

## Sfaturi pentru obținerea unei durate maxime de exploatare a acumulatorului

1. Încărcați cartușul acumulatorului înainte de a se descărca complet. Întrerupeți întotdeauna funcționarea mașinii și încărcați cartușul acumulatorului când observați o scădere a puterii mașinii.
2. Nu reîncărcați niciodată un acumulator complet încărcat. Supraîncărcarea va scurta durata de exploatare a acumulatorului.
3. Încărcați cartușul acumulatorului la temperatura camerei, între 10 °C - 40 °C (50 °F - 104 °F). Lăsați un acumulator fierbinte să se răcească înainte de a-l încărca.
4. Atunci când nu utilizați cartușul acumulatorului, scoateți-l din mașină sau din încărcător.
5. Încărcați cartușul acumulatorului în cazul în care nu a fost utilizat pe o perioadă mai lungă (mai mult de șase luni).



## DESCRIEREA FUNCȚIILOR

**ATENȚIE:** Asigurați-vă întotdeauna că mașina este oprită și cartușul acumulatorului este scos înainte de a ajusta sau verifica funcționarea mașinii.

**ATENȚIE:** Aveți grijă ca la încărcarea acumulatorului să nu vă prindeți degetul(ele) între aspirator și acumulator. Prinderea degetului(elor) poate provoca vătămări.

### Instalarea sau scoaterea cartușului acumulatorului

**ATENȚIE:** Opriți întotdeauna mașina înainte de montarea sau demontarea cartușului de acumulator.

**ATENȚIE:** Țineți ferm mașina și cartușul acumulatorului la montarea sau demontarea cartușului. În cazul în care nu țineți ferm mașina și cartușul de acumulator, acestea vă pot aluneca din mâini, rezultând defectarea mașinii și cartușului de acumulator, precum și în accidente personale.

► Fig.1: 1. Indicator roșu 2. Buton 3. Cartușul acumulatorului

Pentru a scoate cartușul acumulatorului, glisați-l din mașină în timp ce glisați butonul de pe partea frontală a cartușului.

Pentru a instala cartușul acumulatorului, aliniați limba de pe cartușul acumulatorului cu canelura din carcasă și introduceți-l în locaș. Introduceți-l complet, până când se înclichează în locaș. Dacă puteți vedea indicatorul roșu din partea superioară a butonului, acesta nu este blocat complet.

**ATENȚIE:** Instalați întotdeauna cartușul acumulatorului complet, până când indicatorul roșu nu mai este vizibil. În caz contrar, acesta poate cădea accidental din mașină provocând rănirea dumneavoastră sau a persoanelor din jur.

**ATENȚIE:** Nu forțați cartușul acumulatorului la montare. Dacă acesta nu glisează ușor, înseamnă că a fost introdus incorect.

### Sistem de protecție mașină/ acumulator

Mașina este prevăzută cu un sistem de protecție mașină/ acumulator. Sistemul întrerupe automat alimentarea motorului pentru a extinde durata de viață a mașinii și acumulatorului.

Mașina se va opri automat în timpul funcționării când mașina sau acumulatorul se află într-una din situațiile următoare. În unele situații, lampa indicatoare luminează.

► Fig.2: 1. Lampă indicatoare

### Protecție la suprasarcină

Când mașina este utilizată într-un mod care cauzează un consum de curent neobișnuit de ridicat, aceasta se va opri automat și indicatorul se va aprinde, luminând aproximativ 60 de secunde. În această situație, opriți mașina și întrerupeți aplicația care a dus la suprasolicitaarea mașinii. Apoi, reporniți mașina.

### Protecție la supraîncălzire

Când mașina/acumulatorul este supraîncălzită/supraîncălzit, aceasta/acesta se oprește automat și indicatorul acumulatorului luminează timp de aproximativ 60 de secunde. Mașina nu se pune în funcțiune chiar dacă o porniți. În această situație, lăsați acumulatorul să se răcească înainte de a reporni mașina.

### Protecție împotriva supradescărcării

Când capacitatea rămasă a acumulatorului se reduce, indicatorul luminează intermitent. Dacă continuați să o utilizați, mașina se oprește și indicatorul luminează timp de aproximativ 60 de secunde. Dacă porniți mașina, motorul funcționează din nou, dar se oprește imediat. În această situație, încărcați cartușul acumulatorului.

**NOTĂ:** Momentul în care lampa începe să lumineze depinde de temperatura din zona de lucru și de starea cartușului acumulatorului.

### Indicarea capacității rămase a acumulatorului

**Numai pentru cartușe de acumulator cu indicator**

► Fig.3: 1. Lămpi indicatoare 2. Buton de verificare

Apăsăți butonul de verificare de pe cartușul acumulatorului, astfel încât să se indice capacitățile rămase ale acumulatorului. Lămpile indicatorului vor lumina timp de câteva secunde.

Lămpi indicatoare			Capacitate rămasă
Iluminat	Oprit	Iluminare intermitentă	
■ ■ ■ ■			între 75% și 100%
■ ■ ■ □			între 50% și 75%
■ ■ □ □			între 25% și 50%
■ □ □ □			între 0% și 25%
▣ □ □ □			Încărcați acumulatorul.
■ ■ □ □			Este posibil ca acumulatorul să fie defect.
□ □ ■ ■			

**NOTĂ:** În funcție de condițiile de utilizare și temperatura ambientală, indicația poate fi ușor diferită de capacitatea reală.

## Acționarea întrerupătorului

- **Fig.4:** 1. Buton ON (Pornire)/schimbare viteză  
2. Buton OFF (Oprire)

Pentru a porni aspiratorul, apăsați pur și simplu butonul ON (Pornire)/schimbare viteză. Pentru a opri, apăsați butonul OFF (Oprire).

Puteți modifica viteza aspiratorului în trei pași, apăsând butonul ON (Pornire)/schimbare viteză.

Prima apăsare a acestui buton este pentru modul viteză ridicată, a doua pentru modul viteză max. iar a treia pentru viteză normală. Fiecare apăsare pe acest buton repetă alternativ ciclul de viteză ridicată/max./normală.

## ASAMBLARE

**⚠ATENȚIE:** Asigurați-vă întotdeauna că mașina este oprită și cartușul acumulatorului este scos înainte de a executa orice lucrări la mașină.

### Sacul de praf și filtrul de hârtie

Înainte de a utiliza aspiratorul, montați fie un sac de praf, fie un filtru de hârtie.

Utilizați opritorul de praf atunci când montați fie un sac de praf, fie un filtru de hârtie.

Sacul de praf poate fi utilizat de mai multe ori dacă este curățat.

Filtrul de hârtie este pentru o singură utilizare. Când se umple tot filtrul de hârtie, aruncați-l fără a-l goli.

**NOTĂ:** Pentru a preveni infiltrarea prafului în motor:

- Asigurați-vă că sacul de praf sau filtrul de hârtie sunt instalate înainte de utilizare.
- Introduceți opritorul de praf împreună cu sacul de praf sau filtrul de hârtie până la maxim în fante, la instalarea acestora.
- Nu utilizați un sac rupt sau deteriorat.

În caz contrar, motorul se poate defecta.

**NOTĂ:** Nu îndoiți cartonul de la admisie atunci când montați filtrul de hârtie.

**NOTĂ:** Nu aruncați niciodată opritorul de praf pentru că acesta trebuie reutilizat ori de câte ori este schimbat sacul de praf sau filtrul de hârtie.

**NOTĂ:** Filtrul de hârtie pentru aspirator reprezintă o componentă importantă pentru păstrarea performanței acestuia. Utilizarea unui alt filtru de hârtie decât cel original poate cauza fum sau aprindere.

### Instalarea sacului de praf

Utilizați opritorul de praf atunci când montați sacul de praf. Aveți grijă ca, din greșeală, să nu utilizați fața superioară în locul feței inferioare pentru că acestea sunt diferite una de cealaltă.

- **Fig.5:** 1. Partea superioară a opritorului de praf  
2. Partea inferioară a opritorului de praf

1. Introduceți proeminența sacului de praf în canelura din opritorul de praf, așa cum este arătat în figură.

Sacul de praf nu are un demarcaj între partea superioară și cea inferioară. Puteți introduce proeminența oricăreia dintre părți în canelura opritorului de praf.

- **Fig.6:** 1. Opritor de praf 2. Canelură 3. Sac de praf

2. Suprapuneți cadrul opritorului de praf cu cel al sacului de praf.

► **Fig.7**

3. Puneți opritorul de praf și sacul de praf în cavitatea aspiratorului, în direcția săgeții de pe opritorul de praf. Introduceți-le până la maxim în fantele cavității aspiratorului.

► **Fig.8:** 1. Fantă

4. Așezați întreaga porțiune din material textil a sacului de praf în interiorul aspiratorului.

► **Fig.9**

5. Închideți complet capacul cutiei pentru praf.

► **Fig.10:** 1. Capacul cutiei pentru praf

**NOTĂ:** Când sacul pentru praf nu este instalat în aspirator, capacul cutiei pentru praf nu se închide complet.

### Instalarea filtrului de hârtie

Utilizați opritorul de praf și atunci când montați filtrul de hârtie. Aveți grijă ca, din greșeală, să nu utilizați fața superioară în locul feței inferioare pentru că acestea sunt diferite una de cealaltă.

- **Fig.11:** 1. Partea superioară a opritorului de praf  
2. Partea inferioară a opritorului de praf

1. Înainte de a-l monta pe opritorul de praf, depliați admisia filtrului de hârtie.

► **Fig.12**

2. Introduceți proeminența filtrului de hârtie în canelura opritorului de praf, așa cum este arătat în figură.

Filtrul de hârtie nu are un demarcaj între partea superioară și inferioară. Puteți introduce proeminența oricăreia dintre părți în canelura opritorului de praf.

- **Fig.13:** 1. Opritor de praf 2. Canelură 3. Filtru de hârtie

3. Suprapuneți cadrul opritorului de praf cu cel al filtrului de hârtie.

► **Fig.14**

4. Puneți opritorul de praf și filtrul de hârtie în cavitatea aspiratorului, în direcția săgeții de pe opritorul de praf. Introduceți-le până la maxim în fantele cavității aspiratorului.

► **Fig.15:** 1. Fantă

5. Așezați întreaga porțiune de reținere a filtrului de hârtie în interiorul aspiratorului propriu-zis.

► **Fig.16**

6. Închideți complet capacul cutiei pentru praf.

► **Fig.17:** 1. Capacul cutiei pentru praf

**NOTĂ:** Când filtrul de hârtie nu este instalat în aspirator, capacul cutiei pentru praf nu se închide complet.

## Instalarea centurii pentru umăr

**⚠ATENȚIE:** Fiți atent să nu prindeți centura pentru umăr de obiectele înconjurătoare.

**⚠ATENȚIE:** Fiți atent să nu vă cadă centura pentru umăr de pe umăr când utilizați aspiratorul. Pentru o manipulare stabilă a aspiratorului, se recomandă să purtați centura pentru umăr petrecută peste piept.

Atașați cârligele centurii pentru umăr la suporturile de pe aspirator, așa cum este ilustrat în imagine.

► **Fig.18:** 1. Curea pentru umăr 2. Cârlig 3. Suport

**NOTĂ:** De asemenea, puteți atașa centura pentru umăr la sacul moale (accesoriu opțional), conform imaginii.

► **Fig.19:** 1. Curea pentru umăr 2. Sac moale

## OPERAREA

**⚠ATENȚIE:** Țineți întotdeauna de mâner când transportați aspiratorul. Dacă țineți de accesoriu în timpul transportului, acesta se poate desprinde de aspirator și poate provoca vătămări corporale.

**⚠ATENȚIE:** Nu utilizați aparatul în timp ce conduceți o mașină sau când motorul este pornit.

**⚠ATENȚIE:** Nu prindeți de articulația furtunului așa cum se vede în figură. Dacă țineți de articulația furtunului, vă puteți prinde degetul.

► **Fig.20:** 1. Articulația furtunului

## Utilizarea ca aspirator

**NOTĂ:** Scoateți accesoriul suflantei înainte de aspirare. Dacă accesoriul suflantei este atașat la aspirator, puterea de aspirare se va reduce.

## Montarea sau demontarea accesoriului de aspirare

Pentru a conecta un accesoriu, cum ar fi duza, roțiți-l și introduceți-l ferm în furtun. Pentru deconectare, roțiți-l și trageți-l în afară.

Modul de montare variază în funcție de duze, conform imaginilor.

► **Fig.21:** 1. Furtun 2. Duză din cauciuc 3. Perie moale 4. Duză scaun 5. Duză covor

## Aspirator

### Duză din cauciuc

Această duză este potrivită pentru curățarea colțurilor inferioare, cum ar fi buzunarul unei portiere. Duza din cauciuc curăță delicat suprafețele.

► **Fig.22:** 1. Duză din cauciuc

### Perie moale

Această duză este potrivită pentru curățarea aerisirilor pentru aer condiționat, a tabloului de bord etc. Capul periei moi poate fi rotit în unghi drept.

► **Fig.23:** 1. Perie moale

### Duză scaun

Această duză are o perie de scame pentru a curăța suprafața scaunului. Peria laterală de pe duză este utilă pentru îndepărtarea prafului din cusături.

► **Fig.24:** 1. Duză scaun 2. Perie laterală

### Duză covor

Această duză se utilizează pentru a curăța covorul și carpetele de pe podea. Dinții duzei ajută la greblarea particulelor.

► **Fig.25:** 1. Duză covor

**NOTĂ:** Utilizați întotdeauna duza pentru covor pentru curățarea covoarelor. Utilizarea duzei pentru covor pe alte materiale poate zgâria suprafața acestora.

## Curățarea fără duză

Puteți efectua aspirarea fără duză.

► **Fig.26**

## Eliminarea prafului

**⚠ATENȚIE:** Goliți sacul de praf sau înlocuiți filtrul de hârtie înainte de a se umple. În caz contrar, forța de aspirare/suflare se reduce.

**⚠ATENȚIE:** La închiderea capacului cutiei pentru praf, fiți atent să nu vă prindeți degetele.

**NOTĂ:** Nu aruncați niciodată opritorul de praf pentru că acesta trebuie reutilizat ori de câte ori este schimbat sacul de praf sau filtrul de hârtie.

**NOTĂ:** Când sacul de praf/filtrul de hârtie nu este instalat în aspirator, capacul cutiei pentru praf nu se închide complet. Nu forțați închiderea capacului cutiei pentru praf. Aceasta poate provoca deformarea sau ruperea mașinii.

**NOTĂ:** La eliminarea prafului, puteți curăța și camera pentru sacul de praf/filtrul de hârtie. Praful și murdăria rămase în cameră pot provoca înfundarea filtrului sau deteriorarea motorului.

1. Deschideți capacul cutiei pentru praf.

► **Fig.27:** 1. Capacul cutiei pentru praf

2. Trageți în afară opritorul de praf portocaliu și sacul de praf/filtrul de hârtie în același timp.

► **Fig.28:** 1. Opritor de praf

3. Când folosiți sacul de praf

Scoateți opritorul de praf și goliți sacul de praf.

► **Fig.29:** 1. Opritor de praf 2. Sac de praf

Când folosiți filtrul de praf

Scoateți opritorul de praf și eliminați filtrul de hârtie.

► **Fig.30:** 1. Opritor de praf 2. Filtru de hârtie

4. Puneți sacul de praf/filtrul de hârtie nou și opritorul de praf împreună în aspirator și curățați capacul cutiei de praf.

## Utilizarea ca suflantă

**⚠ATENȚIE:** Nu îndreptați niciodată duza spre persoane aflate în apropiere.

**⚠ATENȚIE:** Pentru a evita inhalarea prafului, este recomandat să deschideți geamurile și să purtați ochelari și mască de protecție în timpul utilizării.

**⚠ATENȚIE:** Nu trageți de accesoriul suflantei. Se poate desprinde de aspirator.

**⚠ATENȚIE:** Nu folosiți aspiratorul pentru a sufla aer în interiorul obiectelor, cum ar fi bărci de cauciuc pentru rafting, mingi sau alte articole gonflabile. Rotația sporită a motorului poate cauza defectarea ventilatorului, care poate fi periculoasă.

**⚠ATENȚIE:** Nu blocați niciodată orificiul de aspirație și/sau orificiul de evacuare al suflantei. Când utilizați suflanta în zone prăfuite, asigurați-vă că nu blocați orificiul de aspirație și orificiul de evacuare al suflantei cu praf sau murdărie.

**⚠ATENȚIE:** Utilizați numai duzele furnizate de Makita.

## Montarea sau demontarea accesoriului suflantei

Pentru a atașa accesoriul suflantei, aliniați proeminența portului pentru accesoriul suflantei cu canelura de pe aerisire și apoi împingeți până când face clic.

► Fig.31: 1. Accesoriul suflantei

Pentru a scoate accesoriul suflantei, trageți de port în jos în timp ce apăsați pe partea sa superioară, așa cum se vede în figură.

► Fig.32

## Suflarea

Îndreptați vârful accesoriului suflantei către obiectul care urmează să fie suflat și apoi porniți dispozitivul.

► Fig.33

## ÎNȚEȚINERE

**⚠ATENȚIE:** Asigurați-vă întotdeauna că mașina este oprită și cartușul acumulatorului scos înainte de a executa lucrările de inspecție și întreținere.

**NOTĂ:** Nu utilizați niciodată gazolină, benzină, diluant, alcool sau alte substanțe asemănătoare. În caz contrar, pot rezulta decolorări, deformări sau fisuri.

Pentru a menține SIGURANȚA și FIABILITATEA produsului, reparațiile și orice alte lucrări de întreținere sau reglare trebuie executate de centre de service Makita autorizate sau proprii, folosind întotdeauna piese de schimb Makita.

## Curățarea

Din când în când ștergeți suprafața exterioră (corpul aspiratorului) a aspiratorului utilizând o lavetă umezită în apă cu săpun. De asemenea, curățați admisia, zona de montaj a sacului de praf/filtrului de hârtie și opritorul de praf.

► Fig.34

Spălați sacul de praf în apă cu săpun atunci când acesta este înfundat și când se reduce puterea aspiratorului. Uscați-l complet înainte de utilizare. Un filtru uscat insuficient poate avea ca efect o putere mică de aspirare și poate scurta durata de viață a motorului.

► Fig.35

**NOTĂ:** Filtrul de hârtie este pentru o singură utilizare.

Când filtrul spongios este îmbăcșit cu praf, scoateți-l din aspirator și apoi curățați-l sau spălați-l în apă.

## Scoaterea și montarea filtrului spongios

**⚠ATENȚIE:** După curățarea filtrului spongios, asigurați-vă că acesta va fi montat în aspirator. Dacă a fost spălat în apă, uscați filtrul înainte de a-l monta. Un filtru spongios insuficient uscat poate scurta durata de viață a motorului.

Pentru a scoate filtrul spongios, scoateți sacul de praf sau filtrul de hârtie apoi prindeți-l și trageți-l afară.

► Fig.36: 1. Filtru spongios

Apăsați întreaga margine a filtrului spongios pe peretele cu nișe din interiorul zonei de montaj a sacului de praf/filtrului de hârtie.

► Fig.37: 1. Perete cu nișe

## Depozitare

**⚠AVERTIZARE:** Nu lăsați niciodată cartușul acumulatorului și încărcătorul în mașină. Temperatura din interiorul unei mașini care stă în bătaia soarelui poate depăși 50 °C (122 °F). Aceasta poate provoca deteriorarea cartușului acumulatorului și ejectarea lichidului, emisia de fum sau incendiu.

► Fig.38

**⚠AVERTIZARE:** Nu utilizați niciodată încărcătorul în timp ce este depozitat într-o geantă de depozitare. Blocarea aerisirii poate produce fum sau un incendiu.

► Fig.39

**⚠AVERTIZARE:** Nu încărcăți niciodată cartușul acumulatorului cu inversorul vehiculului. Aceasta poate cauza încălzirea anormală și incendiu.

**⚠AVERTIZARE:** Nu încărcăți niciodată cartușul acumulatorului în mașină. Atunci când cartușul acumulatorului este expus la un interval de temperatură care depășește 10 °C (50 °F) - 40 °C (104 °F), acesta poate genera căldură și/sau un incendiu sau poate exploda.

**⚠ATENȚIE:** Atunci când aspiratorul nu este în uz, depozitați întotdeauna furtunul ca în imagine pentru a evita împiedicarea. Furtunul nepliat vă poate agăța piciorul și provoca vătămări corporale.

► Fig.40: 1. Cârlig 2. Furtun

## Depanare

Înainte de a solicita reparații, verificați următoarele puncte.

Simptom	Zona care trebuie investigată	Metoda de fixare
Putere slabă de aspirație	Sacul de praf sau filtrul de hârtie este plin de praf?	Goliți sacul de praf sau filtrul de hârtie.
	Sacul de praf este înfundat?	Eliminați praful din sac sau spălați sacul.
	Filtrul de hârtie este înfundat?	Înlocuiți filtrul de hârtie.
	Cartușul acumulatorului este epuizat?	Încărcați cartușul acumulatorului.
Nu funcționează	Cartușul acumulatorului este epuizat?	Încărcați cartușul acumulatorului.
Capacul cutiei pentru praf nu se închide	Sacul de praf sau filtrul de hârtie este montat?	Montați sacul de praf sau filtrul de hârtie.

**NOTĂ:** Nu încercați să reparați singur aspiratorul.

## ACCESORII OPȚIONALE

**⚠ATENȚIE:** Folosiți accesoriile sau piesele auxiliare recomandate pentru mașina dumneavoastră Makita în acest manual. Utilizarea oricăror alte accesorii sau piese auxiliare poate prezenta risc de vătămare corporală. Utilizați accesoriile și piesele auxiliare numai în scopul destinat.

Dacă aveți nevoie de asistență sau de mai multe detalii referitoare la aceste accesorii, adresați-vă centrului local de service Makita.

- Tub de extensie (Teavă dreaptă)
- Duză
- Duză pentru covoare
- Perie pentru rafturi
- Duză pentru colțuri
- Perie rotundă
- Furtun flexibil
- Filtru de hârtie
- Duză liberă
- Duză scaun
- Duză pentru curățarea spațiilor greu accesibile
- Ciclon pentru colectarea prafului
- Sac de praf
- Sac de praf de înaltă performanță
- Sac moale
- Acumulator și încărcător original Makita

**NOTĂ:** Unele articole din listă pot fi incluse ca accesorii standard în ambalajul de scule. Acestea pot diferi în funcție de țară.

## ПОПЕРЕДЖЕННЯ

Цей прилад дозволяється використовувати дітям віком від 8 років або старше, а також особам з обмеженими фізичними, сенсорними або розумовими здібностями та особам з недостатнім досвідом і знаннями, якщо за ними встановлений нагляд або їм були надані інструкції стосовно безпечного використання цього приладу та вони усвідомлюють потенційну небезпеку від його використання. Дітям не дозволяється грати з цим приладом. Дітям не дозволяється виконувати чищення або проводити технічне обслуговування приладу без нагляду дорослих.

## ТЕХНІЧНІ ХАРАКТЕРИСТИКИ

Модель:		DCL184
Ємність	з мішком для пилу	500 мл
	з паперовим фільтром	330 мл
Тривалість використання (з акумулятором BL1830B)	1 (режим нормальної швидкості)	Близько 80 хв
	2 (режим високої швидкості)	Близько 30 хв
	3 (режим максимальної швидкості)	Близько 20 хв
Загальна довжина (з акумулятором BL1830B)		365 мм
Номінальна напруга		18 В пост. струму
Маса нетто		1,8 – 2,2 кг

- Оскільки наша програма наукових досліджень і розробок триває безперервно, наведені тут технічні характеристики можуть бути змінені без попередження.
- У різних країнах технічні характеристики можуть бути різними.
- Вага не включає жодних додаткових приладів, окрім касети (касет) з акумулятором. Найменша або найбільша комбінація ваги пристрою та касети (касет) з акумулятором наведені в таблиці.

### Застосовна касета з акумулятором і зарядний пристрій

Касета з акумулятором	BL1815N / BL1820 / BL1820B / BL1830 / BL1830B / BL1840 / BL1840B / BL1850 / BL1850B / BL1860B
Зарядний пристрій	DC18RC / DC18RD / DC18RE / DC18SD / DC18SE / DC18SF / DC18SH

- Деякі касети з акумулятором і зарядні пристрої, які вказано вище, можуть бути недоступними залежно від вашого регіону або місця перебування.

**▲ПОПЕРЕДЖЕННЯ:** Використовуйте лише касети з акумулятором і зарядні пристрої, перелічені вище. Використання будь-яких інших касет з акумулятором і зарядних пристроїв може призвести до травмування й/або пожежі.

### Символи

Далі наведено символи, які можуть застосовуватися для позначення обладнання. Перед користуванням переконайтеся, що ви розумієте їхнє значення.



Читайте посібник з експлуатації.



Тільки для країн ЄС

Не викидайте електроприлади або акумуляторні батареї разом із побутовим сміттям! Згідно з європейськими директивами про утилізацію електричного та електронного обладнання та про утилізацію батарей і акумуляторів, а також батарей та акумуляторів, термін служби яких закінчився, та їх використанням із дотриманням національних законів, електричне обладнання, батареї та акумулятори, термін служби яких закінчився, потрібно збирати окремо та відправляти на екологічно чисті підприємства з їхньої переробки.

## Призначення

Інструмент призначено для збирання сухого пилю.

## ПОПЕРЕДЖЕННЯ ПРО ДОТРИМАННЯ ТЕХНІКИ БЕЗПЕКИ

### Попередження про необхідну обережність під час роботи з бездротовим пирососом

**▲ ПОПЕРЕДЖЕННЯ: ВАЖЛИВО! ПРОЧИТАЙТЕ УВАЖНО всі попередження про необхідну обережність під час роботи та всі інструкції ПЕРЕД ВИКОРИСТАННЯМ.** Недотримання попереджень та інструкцій може призвести до ураження електричним струмом, до виникнення пожежі та/або до отримання серйозних травм.

1. Не залишайте інструмент під дощем. Зберігайте у приміщенні.
2. Не допускайте, щоб з цим приладом гралися діти. Потрібно бути пильним, якщо інструмент використовується дітьми або поблизу від них.
3. Використовуйте лише у відповідності з цією інструкцією. Використовуйте лише допоміжне обладнання, яке рекомендоване виробником.
4. Не використовуйте, якщо акумулятор пошкоджений. Якщо прилад не працює належним чином, його впустили, пошкодили, залишили під дощем або зронили у воду, його слід відправити до сервісного центру.
5. Не торкайтеся приладу мокрими руками.
6. Не встромляйте жодних предметів у отвори. Не використовуйте прилад із заблокованими отворами; не допускайте їх блокування пилом, пухом, волоссям або будь-чим, що може послабити потік повітря.
7. Слідкуйте, щоб волосся, просторий одяг, а також пальці та інші частини тіла не потрапили до отворів та рухомих частин приладу.
8. Перед зніманням акумулятора вимикайте всі елементи керування.
9. Будьте особливо обережні під час прибирання на сходах.
10. Уникайте потрапляння на прилад займих або палих рідин, наприклад бензину, та не використовуйте прилад в місцях його застосування.

11. Для перезаряджання акумулятора використовуйте тільки зарядний пристрій, що постачається виробником.
12. Уникайте контакту приладу з будь-якими речовинами та предметами, що горять або димлять, наприклад цигарками, сірниками або гарячим попелом.
13. Не використовуйте без мішка для пилю і (або) встановлених фільтрів.
14. Перезаряджайте акумулятор тільки в приміщенні.
15. Перезаряджайте акумулятор лише за допомогою зарядного пристрою, вказаного виробником. Зарядний пристрій, який підходить для одного типу акумуляторів, може призвести до пожежі при використанні з акумулятором іншого типу.
16. Використовуйте електроінструменти лише з акумуляторами того типу, який призначений саме для цих електроінструментів. Використання акумуляторів інших типів може призвести до отримання травм і виникнення пожежі.
17. Коли акумулятор не використовується, тримайте його подалі від таких металевих предметів, що можуть закоротити клеми акумулятора, наприклад скріпок, монет, ключів, цвяхів, гвинтів тощо.
18. За неналежних умов зберігання з акумулятора може витекти рідина, контакту з якою слід уникати. У разі випадкового потрапляння рідини на тіло уражену частину необхідно промити водою.
19. Не користуйтеся акумулятором або інструментом, які було змінено чи пошкоджено. Експлуатація акумуляторів, що їх було пошкоджено або до конструкції яких було внесено зміни, може бути небезпечною й може спричинити пожежу, вибух або травму.
20. Не піддавайте акумулятор або інструмент впливу вогню чи надмірної температури. Вплив вогню або температури вище 130° C може спричинити вибух.
21. Дотримуйтеся усіх вказівок із заряджання й не заряджайте акумулятор або інструмент за температури за межами зазначеного в інструкції діапазону. Неправильне заряджання або заряджання за межами вказаного температурного діапазону може призвести до пошкодження акумулятора й підвищити небезпеку займання.

## ЗБЕРІГАЙТЕ ЦІ ВКАЗІВКИ.

### ДОДАТКОВІ ПРАВИЛА БЕЗПЕКИ

Цей прилад призначений тільки для побутового використання.

1. Перед використанням уважно прочитайте цю інструкцію, а також інструкцію до зарядного пристрою.
2. Уникайте таких речовин та предметів, як:
  - гарячі речовини та предмети, наприклад запалені цигарки або іскри й металевий пил, що утворюються під час шліфування або різання металу
  - паливі речовини, наприклад газолін, розчинники, бензин, гас або фарби
  - вибухові речовини, наприклад нітрогліцерин



- займісті речовини, наприклад алюміній, цинк, магній, титан, фосфор або целулоід
  - вологий бруд, вода, мастило та подібні речовини
  - тверді предмети з гострими кутами, наприклад тріска, метали, каміння, скло, цвяхи, шпильки або бритви
  - порошок або грудки, наприклад цемент або тонер
  - електропровідний пил, наприклад металевий або вугільний
  - дрібні частки, наприклад бетонний пил.
- У протилежному випадку це може призвести до пожежі, травми та (або) пошкодження майна.
3. негайно зупиніть інструмент, якщо помітите відхилення в його роботі.
  4. Якщо ви впустили або вдарили пиросос, перед подальшим використанням його слід ретельно оглянути на наявність тріщин або пошкоджень.
  5. Заборонено підносити інструмент близько до кухонних плит або інших джерел тепла.
  6. Заборонено блокувати забірний або вентиляційні отвори.

## ЗБЕРІГАЙТЕ ЦІ ВКАЗІВКИ.

### Важливі інструкції з безпеки для касети з акумулятором

1. Перед тим як користуватися касетою з акумулятором, слід прочитати всі інструкції та застережні знаки щодо (1) зарядного пристрою акумулятора, (2) акумулятора та (3) виробів, що працюють від акумулятора.
2. Не розбирайте касету з акумулятором і не змінюйте її конструкцію. Це може призвести до пожежі, перегріву або вибуху.
3. Якщо період роботи дуже покоротшав, слід негайно припинити користування. Це може призвести до виникнення ризику перегріву, опіку та навіть вибуху.
4. У разі потрапляння електроліту в очі слід промити їх чистою водою та негайно звернутися до лікаря. Це може призвести до втрати зору.
5. Не закоротіть касету з акумулятором.
  - (1) Не слід торкатися клею будь-яким струмопровідним матеріалом.
  - (2) Не слід зберігати касету з акумулятором у ємності з іншими металевими предметами, такими як цвяхи, монети тощо.
  - (3) Не залишайте касету з акумулятором під дощем, запобігайте контакту з водою.
 Коротке замикання може призвести до появи значного струму, перегріву, можливих опіків та навіть виходу з ладу.
6. Не слід зберігати й використовувати інструмент і касету з акумулятором у місцях, де температура може сягнути чи перевищити 50 °C (122 °F).
7. Не слід спалювати касету з акумулятором, навіть якщо вона була неодноразово пошкоджена або повністю спрацьована. Касета з акумулятором може вибухнути у вогні.

8. Заборонено забивати цвяхи в касету з акумулятором, різати, ламати, кидати, впускати касету з акумулятором або вдаряти її твердим предметом. Це може призвести до пожежі, перегріву або вибуху.
9. Не слід використовувати пошкоджений акумулятор.
10. Літій-іонні акумулятори, що містяться в інструменті, мають відповідати вимогам законів про небезпечні товари. Під час транспортування за допомогою комерційних перевезень, наприклад із залученням третьої сторони та експедиторів, необхідно дотримуватися особливих вимог, вказаних на пакуванні й у маркуванні. Під час підготовки позиції до відправлення необхідно проконсультуватись зі спеціалістом з небезпечних матеріалів. Крім того, слід виконувати більш докладні національні настанови, якщо такі є. Заклейте відкриті контакти стрічкою або заховайте їх і запакуйте акумулятор таким чином, щоб він не міг рухатися в пакуванні.
11. Для утилізації касети з акумулятором витягніть її з інструмента та утилізуйте безпечним способом. Дотримуйтеся норм місцевого законодавства щодо утилізації акумуляторів.
12. Використовуйте акумулятори лише з виробами, указаними компанією Makita. Установлення акумуляторів у невідповідні виробі може призвести до пожежі, надмірного нагрівання, вибуху чи витоку електриліту.
13. Якщо інструментом не користуватимуться протягом тривалого періоду часу, вийміть акумулятор з інструмента.
14. Під час і після використання касета з акумулятором може нагріватися, що може стати причиною опіків або низькотемпературних опіків. Будьте обережні під час поводження з гарячою касетою з акумулятором.
15. Не торкайтеся контактів інструмента відразу після використання, оскільки він може бути досить гарячим, щоб викликати опіки.
16. Не допускайте, щоб уламки, пил або земля прилипали до контактів, отворів і пазів на касеті з акумулятором. Це може привести до зниження експлуатаційних параметрів, поломки інструмента або касети з акумулятором.
17. Якщо інструмент не розраховано на використання поблизу високовольтних ліній електропередач, не використовуйте касету з акумулятором поблизу високовольтних ліній електропередач. Це може призвести до несправності, поломки інструмента або касети з акумулятором.
18. Тримайте акумулятор у недоступному для дітей місці.

## ЗБЕРІГАЙТЕ ЦІ ВКАЗІВКИ.

**▲ОБЕРЕЖНО:** Використовуйте тільки акумулятори Makita. Використання акумуляторів, інших ніж оригінальні акумулятори Makita, або акумуляторів, конструкцію яких було змінено, може призвести до вибуху акумулятора і спричинити пожежу, травму або пошкодження. У зв'язку з цим також буде анульовано гарантію Makita на інструмент Makita і на зарядний пристрій.

## Поради з забезпечення максимального строку експлуатації акумулятора

1. Касету з акумулятором слід заряджати до того, як він розрядиться повністю. Завжди слід зупинити роботу інструмента та зарядити акумулятор, якщо ви помітили зменшення потужності інструмента.
2. Ніколи не слід заряджати повторно повністю заряджену касету з акумулятором. Перезарядження скорочує строк експлуатації акумулятора.
3. Заряджайте касету з акумулятором при кімнатній температурі 10°C - 40°C (50°F - 104°F). Перед тим як заряджати касету з акумулятором, слід зачекати, доки вона охолоне.
4. Коли касета з акумулятором не використовується, виймайте її з інструмента або зарядного пристрою.
5. Якщо касета з акумулятором не використовувалася тривалий час (понад шість місяців), її слід зарядити.

## ОПИС РОБОТИ

**⚠ОБЕРЕЖНО:** Обов'язково переконайтеся, що прилад вимкнено, а касету з акумулятором знято, перед регулюванням або перевіркою функціонування інструмента.

**⚠ОБЕРЕЖНО:** Заряджаючи касету з акумулятором, будьте обережні, щоб не затиснути пальці між пілососом і акумулятором. Защемлення пальців може призвести до травм.

## Встановлення та зняття касети з акумулятором

**⚠ОБЕРЕЖНО:** Завжди вимикайте інструмент перед встановленням або зняттям касети з акумулятором.

**⚠ОБЕРЕЖНО:** Під час встановлення або зняття касети з акумулятором слід міцно тримати інструмент та касету з акумулятором. Якщо ви утримуватимете інструмент та касету з акумулятором недостатньо міцно, вони можуть вислизнути з рук, що може призвести до пошкодження інструмента та касети з акумулятором або може спричинити травми.

► **Рис.1:** 1. Червоний індикатор 2. Кнопка 3. Касета з акумулятором

Щоб зняти касету з акумулятором, слід витягнути її з інструмента, натиснувши на кнопку в передній частині касети.

Щоб установити касету з акумулятором, слід сумістити виступ на касеті з акумулятором із пазом у корпусі та вставити касету на місце. Її необхідно вставити повністю, аж доки не почуєте клацання. Якщо на верхній частині кнопки помітний червоний індикатор, це означає, що касета з акумулятором установлена не до кінця.

**⚠ОБЕРЕЖНО:** Завжди вставляйте касету з акумулятором повністю, аж поки червоний індикатор стане невидимим. Якщо цього не зробити, касета може випадково випасти з інструмента та завдати травми вам або людям, що знаходяться поряд.

**⚠ОБЕРЕЖНО:** Не встановлюйте касету з акумулятором із зусиллям. Якщо касета не вставляється легко, то це означає, що ви її неправильно вставляєте.

## Система захисту інструмента/акумулятора

Інструмент оснащено системою захисту інструмента/акумулятора. Ця система автоматично вимикає живлення двигуна з метою збільшення терміну служби інструмента та акумулятора.

Інструмент буде автоматично вимкнено під час роботи, якщо він чи акумулятор перебуватимуть у вказаних далі умовах. За певних умов засвічується індикаторна лампа.

► **Рис.2:** 1. Індикаторна лампа

## Захист від перевантаження

У разі роботи в режимі, за якого споживання струму стає надмірним, інструмент автоматично зупиниться, а індикатор загориться приблизно на 60 секунд. У такому випадку вимкніть інструмент і припиніть роботу, під час виконання якої сталося перевантаження інструмента. Щоб перезапустити інструмент, увімкніть його знову.

## Захист від перегрівання

У разі перегрівання інструмента чи акумулятора інструмент автоматично зупиняється, а індикатор акумулятора загоряється приблизно на 60 секунд. Інструмент не запуститься, навіть якщо ви вимкнете й увімкнете його знову. У такому разі зачекайте, доки акумулятор охолоне, перш ніж знову вимкати інструмент.

## Захист від надмірного розрядження

За низького заряду акумулятора починає блимати індикатор. У разі подальшого використання інструмент зупиняється, навіть якщо ви вимкнете й увімкнете його знову. Якщо ввімкнути інструмент, двигун запуститься, проте незабаром зупиниться. У такому разі необхідно зарядити касету з акумулятором.

**ПРИМІТКА:** Час, через який вмикається індикатор, залежить від температури на робочому місці й від стану касети з акумулятором.

## Відображення залишкового заряду акумулятора

Тільки для касет з акумулятором, які мають індикатори

► Рис.3: 1. Індикаторні лампи 2. Кнопка перевірки

Натисніть кнопку перевірки на касеті з акумулятором для відображення залишкового ресурсу акумулятора. Індикаторні лампи загоряться на кілька секунд.

Індикаторні лампи			Залишковий ресурс
 Горить	 Вимк.	 Блимає	
			від 75 до 100%
			від 50 до 75%
			від 25 до 50%
			від 0 до 25%
			Зарядить акумулятор.
 ↑ ↓ 			Можливо, акумулятор вийшов з ладу.

**ПРИМІТКА:** Залежно від умов використання та температури оточуючого середовища показання можуть незначним чином відрізнятися від дійсного ресурсу.

## Дія вимикача

► Рис.4: 1. Кнопка ввімкнення / зміни швидкості  
2. Кнопка вимкнення

Для того щоб запустити пилосос, просто натисніть кнопку ввімкнення / зміни швидкості. Щоб вимкнути інструмент, натисніть кнопку вимкнення.

Швидкість пилососа змінюється в три кроки натисканням кнопки ввімкнення / зміни швидкості.

При першому натисканні цієї кнопки вмикається режим високої швидкості, при другому — режим максимальної швидкості, а при третьому — режим нормальної швидкості. Кожне натискання на цю кнопку по черзі перемикає швидкість між високою, максимальною та низькою.

## ЗБОРКА

**⚠ ОБЕРЕЖНО:** Обов'язково переконайтеся, що прилад вимкнено, а касету з акумулятором знято, перш ніж проводити будь-які роботи з інструментом.

## Мішок для пилу та паперовий фільтр

Перед використанням пилососа встановіть мішок для пилу або паперовий фільтр.

Під час установлення мішка для пилу або паперового пакета використовуйте пилову заслінку.

Мішок для пилу можна використовувати багаторазово, очищаючи його від пилу.

Паперовий фільтр призначено для одноразового використання. Коли паперовий фільтр наповнюється, його слід викинути цілком без спорожнення.

**УВАГА:** Для запобігання потрапляння пилу в двигун:

- перед використанням завжди перевіряйте наявність мішка для пилу або паперового фільтра;
- уставляйте пилову заслінку разом з мішком для пилу або паперовим фільтром у пази повністю;
- не використовуйте пошкоджені або порвані мішки.

Недотримання цих вимог може призвести до пошкодження двигуна.

**УВАГА:** Не складайте картон біля отвору під час установлення паперового фільтра.

**УВАГА:** Заборонено викидати пилову заслінку, оскільки її необхідно завжди використовувати повторно з мішком для пилу або паперовим фільтром.

**УВАГА:** Паперовий фільтр для пилососа є важливим компонентом, який допомагає підтримувати робочі характеристики пристрою на високому рівні. Використання неоригінального паперового фільтра може призвести до появи диму або до займання.

## Установлення мішка для пилу

Під час установлення мішка для пилу слід використовувати заслінку для пилу. Слід бути обережним, щоб не переплутати верхню частину з нижньою, оскільки вони відрізняються.

► Рис.5: 1. Верхня частина пилової заслінки  
2. Нижня частина пилової заслінки

1. Вставте мішок для пилу виступом у паз на пиловій заслінці, як показано на рисунку.

Верхня й нижня частини мішка для пилу однакові. Виступ можна вставляти будь-якою частиною в паз пилової заслінки.

► Рис.6: 1. Пилова заслінка 2. Паз 3. Мішок для пилу

2. Слід накласти раму пилової заслінки на раму мішка для пилу.

► Рис.7

3. Установіть пилову заслінку та мішок для пилу разом у порожнину пилососа відповідно до напрямку, указанного стрілкою на заслінці. Повністю вставте їх у пази в порожнині пилососа.

► Рис.8: 1. Канавка

4. Повністю розташуйте тканинну частину мішка для пилу всередині пилососа.

► Рис.9

5. Повністю закрийте кришку пилозахисного кожуха.

► **Рис.10:** 1. Кришка пилозахисного кожуха

**ПРИМІТКА:** Якщо мішок для пилу не встановлено в пилосос, кришка пилозахисного кожуха не закриється повністю.

## Установлення паперового фільтра

Під час установлення паперового фільтра слід також використовувати заслінку для пилу. Слід бути обережним, щоб не переплутати верхню частину з нижньою, оскільки вони відрізняються.

► **Рис.11:** 1. Верхня частина пилової заслінки  
2. Нижня частина пилової заслінки

1. Розгорніть вхідну частину фільтра перед його встановленням на пилову заслінку.

► **Рис.12**

2. Вставте виступ на паперовому фільтрі в паз у пилової заслінці, як показано на рисунку.

Між верхньою й нижньою частинами паперового фільтра немає різниці. Виступ можна вставляти будь-якою частиною в паз пилової заслінки.

► **Рис.13:** 1. Пилова заслінка 2. Паз 3. Паперовий фільтр

3. Накладіть раму пилової заслінки на раму паперового фільтра.

► **Рис.14**

4. Установіть пилову заслінку та паперовий фільтр разом у порожнину пилососа відповідно до напрямку, указанного стрілкою на заслінці. Повністю вставте їх у пази в порожнині пилососа.

► **Рис.15:** 1. Канавка

5. Повністю розташуйте частину паперового фільтра для вмісту пилу всередині інструмента.

► **Рис.16**

6. Повністю закрийте кришку пилозахисного кожуха.

► **Рис.17:** 1. Кришка пилозахисного кожуха

**ПРИМІТКА:** Якщо паперовий фільтр не встановлено в пилосос, кришка пилозахисного кожуха не закриється повністю.

## Під'єднання плечевого ремня

**⚠ОБЕРЕЖНО:** Стежте за тим, щоб плечовий ремінь не зачепився за навколишні предмети.

**⚠ОБЕРЕЖНО:** Стежте за тим, щоб плечовий ремінь не зіскочив із плеча під час використання пилососа. Для надійної фіксації пилососа рекомендується надягати плечовий ремінь через плече.

Під'єднайте гачки плечевого ремня до кріплень на пилососі, як показано на малюнку.

► **Рис.18:** 1. Плечовий ремінь 2. Гачок 3. Кріплення

**ПРИМІТКА:** Ви можете також пристебнути плечовий ремінь до м'якої сумки (додатковий аксесуар), як показано на рисунку.

► **Рис.19:** 1. Плечовий ремінь 2. М'яка сумка

## РОБОТА

**⚠ОБЕРЕЖНО:** Під час переміщення пилососа тримайтеся за ручку. Якщо під час переміщення триматися за насадку, вона може зіскочити з пилососа й спричинити травму.

**⚠ОБЕРЕЖНО:** Не використовуйте пристрій під час керування автомобілем або за працюючого двигуна.

**⚠ОБЕРЕЖНО:** Не беріться за з'єднання шланга, як показано на рисунку. Це може привести до затискання пальців.

► **Рис.20:** 1. З'єднання шланга

## Використання як пилососа

**ПРИМІТКА:** Видаліть повітродувку перед початком прибирання пилососом. Якщо повітродувку встановлено на пилосос, потужність усмоктання може знизитися.

## Установлення або видалення насадки пилососа

Для під'єднання аксесуара, наприклад насадки, поверніть його та вставте в шланг до повної фіксації. Для від'єднання поверніть її та зніміть.

Спосіб установлення залежить від насадок (показано на рисунку).

► **Рис.21:** 1. Шланг 2. Гумова насадка 3. М'яка щітка 4. Насадка для очищення сидіння 5. Щітка для килимків

## Очищення пилососом

### Гумова насадка

Цєю насадкою зручно очищати кути внизу, наприклад у дверній рамі. Гумова насадка призначена для делікатного очищення поверхні.

► **Рис.22:** 1. Гумова насадка

### М'яка щітка

Цєю насадкою зручно очищати вентиляційні отвори кондиціонерів, панель приладів тощо. Головку м'якої щітки можна повертати під прямим кутом.

► **Рис.23:** 1. М'яка щітка

### Насадка для очищення сидіння

У цій насадці є щітка для ворсу, яка призначена для очищення сидінь. Бічною щіткою на насадці зручно видаляти пил зі швів.

► **Рис.24:** 1. Насадка для очищення сидіння 2. Бокова щітка

### Щітка для килимків

Ця насадка призначена для очищення килимків для підлоги й килимів. Зубчики на насадці допомагають збирати піщинки.

► **Рис.25:** 1. Щітка для килимків

**УВАГА:** Для очищення килимків використовуйте насадку для килимків. Використання насадки для килимків для очищення іншого матеріалу може привести до появи подряпин на його поверхні.

## Чищення без шуцера

Очищення пилососом можна виконувати без використання насадки.

► Рис.26

## Видалення пилу

**⚠ОБЕРЕЖНО:** Спорожніть мішок для пилу або замінійте паперовий фільтр до того, як він повністю заповниться. У іншому випадку потужність усмоктування/обдування знизиться.

**⚠ОБЕРЕЖНО:** Закриваючи кришку пилозахисного кожуха, стежте за тим, щоб не затиснути пальці.

**УВАГА:** Заборонено викидати пилову заслінку, оскільки її необхідно завжди використовувати з мішком для пилу або паперовим фільтром.

**УВАГА:** Якщо мішок для пилу / паперовий фільтр не встановлено в пилосос, кришка пилозахисного кожуха не закриється повністю. Не застосовуйте надмірних зусиль під час закриття кришки пилозахисного кожуха. Це може привести до деформації або поломки інструмента.

**УВАГА:** Під час очищення від пилу не забудьте очистити відсік для мішка для пилу / паперового фільтра. Пил і бруд, що залишилися у відсіку, можуть призвести до засмічення губчастого фільтра або пошкодження двигуна.

1. Відкрийте кришку пилозахисного кожуха.

► Рис.27: 1. Кришка пилозахисного кожуха

2. Витягніть одночасно жовтогогарячу пилову заслінку й мішок для пилу / паперовий фільтр.

► Рис.28: 1. Пилова заслінка

3. Під час використання мішка для пилу Видаліть пилову заслінку й спорожніть мішок для пилу.

► Рис.29: 1. Пилова заслінка 2. Мішок для пилу

Під час використання паперового фільтра Видаліть пилову заслінку й спорожніть паперовий фільтр.

► Рис.30: 1. Пилова заслінка 2. Паперовий фільтр

4. Установіть мішок для пилу / новий паперовий фільтр і пилову заслінку в пилосос та закрийте кришку пилозахисного кожуха.

## Використання як повітродувки

**⚠ОБЕРЕЖНО:** Не спрямовуйте вихідний отвір на людей, які перебувають поруч.

**⚠ОБЕРЕЖНО:** Щоб не допустити вдихання пилу, рекомендується відкривати вікна, а також надягати захисні окуляри та маску під час роботи.

**⚠ОБЕРЕЖНО:** Не тягніть за насадку повітродувки. Вона може зіскочити з пилососа.

**⚠ОБЕРЕЖНО:** Не використовуйте пилосос для накачування предметів, наприклад надувних плотів, м'ячів або інших надувних виробів. Підвищення частоти обертання двигуна може призвести до небезпечної поломки вентилятора.

**⚠ОБЕРЕЖНО:** Не закривайте всмоктувальний і (або) випускний отвір повітродувки. Не допускайте засмічування всмоктувального або випускного отвору повітродувки пилом або брудом під час роботи на вкритих пилом ділянках.

**⚠ОБЕРЕЖНО:** Використовуйте тільки насадки, надані компанією Makita.

## Установлення або видалення насадки повітродувки

Для установлення насадки повітродувки сумістіть виступ у гнізді насадки з пазом на вентиляційному отворі й натисніть до клацання.

► Рис.31: 1. Насадка повітродувки

Для видалення насадки повітродувки натисніть у місці з'єднання вниз, вставляючи верхню частину, як показано на рисунку.

► Рис.32

## Обдування

Направте кінець насадки на предмет, який необхідно обдути, і ввімкніть інструмент.

► Рис.33

## ТЕХНІЧНЕ ОБСЛУГОВУВАННЯ

**⚠ОБЕРЕЖНО:** Перед здійсненням перевірки або обслуговування завжди перевіряйте, щоб інструмент був вимкнений, а касета з акумулятором була знята.

**УВАГА:** Ніколи не використовуйте газолін, бензин, розріджувач, спирт та подібні речовини. Їх використання може призвести до зміни кольору, деформації або появи тріщин.

Для забезпечення БЕЗПЕКИ та НАДІЙНОСТІ продукції, її ремонт, а також роботи з обслуговування або регулювання повинні виконуватись уповноваженими або заводськими сервісними центрами Makita із використанням запчастин виробництва компанії Makita.

## Чистка

Слід періодично протирати зовнішню поверхню (корпус) пилососа ганчіркою, зволоженою мильною водою.

Слід також вичищати отвір усмоктування, ділянку встановлення мішка для пилу / паперового фільтра та пилову заслінку.

► **Рис.34**

Коли мішок для пилу засмічується й потужність пилососа зменшується, фільтр слід вимити в мильній воді. Перед використанням його слід ретельно висушити. Недостатньо висушений фільтр може спричинити послаблення всмоктування й скорочення терміну служби двигуна.

► **Рис.35**

**ПРИМІТКА:** Паперовий фільтр призначено для одноразового використання.

Коли губчатий фільтр засмічується пилом, його слід зняти з пилососа та витерти або вимити у воді.

## Зняття й встановлення губчатого фільтра

**⚠ОБЕРЕЖНО:** Після чищення губчатого фільтра його слід обов'язково встановити на пилосос. У разі промивання водою його слід просушити перед встановленням. Недостатньо просушений губчатий фільтр може скоротити термін служби двигуна.

Для того щоб зняти губчатий фільтр, слід зняти мішок для пилу або паперовий фільтр, а потім зашипнути й витягнути його.

► **Рис.36:** 1. Губчатий фільтр

Утисніть увесь край губчатого фільтра в западину на внутрішній стінці на ділянці встановлення мішка для пилу / паперового фільтра.

► **Рис.37:** 1. Стінка із западиною

## Зберігання

**⚠ПОПЕРЕДЖЕННЯ:** Не залишайте касету з акумулятором і зарядним пристроєм в автомобілі. Температура всередині автомобіля, який перебуває на сонці, може перевищувати 50 °C (122 °F). Це може спричинити пошкодження касети з акумулятором і призвести до викиду рідини, виділення диму або займання.

► **Рис.38**

**⚠ПОПЕРЕДЖЕННЯ:** Не використовуйте зарядний пристрій, не виїнявши його з мішка для зберігання. Блокування вентиляційного отвору може призвести до виділення диму або займання.

► **Рис.39**

**⚠ПОПЕРЕДЖЕННЯ:** Не заряджайте касету з акумулятором інвертором, який є в автомобілі. Це може привести до перегрівання й займання.

**⚠ПОПЕРЕДЖЕННЯ:** Не заряджайте касету з акумулятором в автомобілі. Якщо касета з акумулятором піддаватиметься дії температури в діапазоні від 10 °C (50 °F) до 40 °C (104 °F), це може призвести до виділення тепла та/або займання чи вибуху.

**⚠ОБЕРЕЖНО:** Щоб не перечепитися через шланг, зберігайте його таким чином, як показано на рисунку, коли пилосос не використовується. Ви можете зачепитися ногою за нескладений шланг, що приведе до травмування.

► **Рис.40:** 1. Гачок 2. Шланг

## Усунення несправностей

Перш ніж здавати прилад до ремонту, слід перевірити такі моменти.

Ознака	Ділянка, яку слід обстежити	Спосіб усунення несправності
Слабка сила всмоктування	Чи накопився пил у мішку для пилу або паперовому фільтрі?	Спорожніть мішок для пилу або паперовий фільтр.
	Чи засмічений мішок для пилу?	Витрусіть пил з мішка для пилу або виперіть його.
	Чи засмічений паперовий фільтр?	Замініть паперовий фільтр.
	Чи розряджений акумулятор?	Зарядіть акумулятор.
Пристрій не працює	Чи розряджений акумулятор?	Зарядіть акумулятор.
Кришка пілозахисного кожуха не закривається	Переконайтеся в тому, що мішок для пилу або паперовий фільтр встановлено.	Установіть мішок для пилу або паперовий фільтр.

**УВАГА:** Не намагайтеся відремонтувати пилосос самотужки.

## ДОДАТКОВЕ ПРИЛАДДЯ

**⚠ ОБЕРЕЖНО:** Це додаткове та допоміжне обладнання рекомендовано використовувати з інструментом Makita, зазначеним у цій інструкції з експлуатації. Використання будь-якого іншого додаткового та допоміжного обладнання може становити небезпеку травмування. Використовуйте додаткове та допоміжне обладнання лише за призначенням.

У разі необхідності отримати допомогу в більш детальному ознайомленні з оснащенням звертайтеся до місцевого сервісного центру Makita.

- Подовжувач (пряма труба)
- Штуцер
- Штуцер для килима
- Щітка для полиць
- Кутовий штуцер
- Кругла щітка
- Гнучкий шланг
- Паперовий фільтр
- Вільний штуцер
- Насадка для очищення сидіння
- Сопло для чищення щілин
- Циклонний уловлювач
- Мішок для пилу
- Мішок для пилу підвищеної місткості
- М'яка сумка
- Оригінальний акумулятор та зарядний пристрій Makita

**ПРИМІТКА:** Деякі елементи списку можуть входити до комплекту інструмента як стандартне приладдя. Вони можуть відрізнятися залежно від країни.



## ОСТОРОЖНО

Данный инструмент могут использовать дети с 8 лет и лица с ограниченными физическими, сенсорными или умственными способностями, а также не имеющие надлежащего опыта и знаний, только в случаях, когда они действуют под руководством или после надлежащего инструктажа по безопасному использованию инструмента и осознают возможные опасности. Не разрешайте детям играть с инструментом. Детям запрещается проводить чистку и обслуживание без контроля со стороны взрослых.

## ТЕХНИЧЕСКИЕ ХАРАКТЕРИСТИКИ

<b>Модель:</b>		<b>DCL184</b>
Производительность	с пылесборным мешком	500 мл
	с бумажным фильтром	330 мл
Продолжительное использование (с аккумулятором BL1830B)	1 (Режим нормальной скорости)	Приблизительно 80 мин
	2 (Режим высокой скорости)	Приблизительно 30 мин
	3 (Режим максимальной скорости)	Приблизительно 20 мин
Общая длина (с аккумулятором BL1830B)		365 мм
Номинальное напряжение		18 В пост. тока
Масса нетто		1,8 - 2,2 кг

- Благодаря нашей постоянно действующей программе исследований и разработок указанные здесь технические характеристики могут быть изменены без предварительного уведомления.
- Технические характеристики могут различаться в зависимости от страны.
- В значение массы не входит масса принадлежностей, только масса блок(ов) аккумулятора. Наименьшая и наибольшая совокупная масса инструмента и блока(ов) аккумулятора указана в таблице.

### Подходящий блок аккумулятора и зарядное устройство

Блок аккумулятора	BL1815N / BL1820 / BL1820B / BL1830 / BL1830B / BL1840 / BL1840B / BL1850 / BL1850B / BL1860B
Зарядное устройство	DC18RC / DC18RD / DC18RE / DC18SD / DC18SE / DC18SF / DC18SH

- В зависимости от региона проживания некоторые блоки аккумуляторов и зарядные устройства, перечисленные выше, могут быть недоступны.

**⚠ ОСТОРОЖНО:** Используйте только перечисленные выше блоки аккумуляторов и зарядные устройства. Использование других блоков аккумуляторов и зарядных устройств может привести к травме и/или пожару.

### Символы

Ниже приведены символы, которые могут использоваться для обозначения оборудования. Перед использованием убедитесь в том, что вы понимаете их значение.



Прочитайте руководство по эксплуатации.



Только для стран ЕС  
Не выбрасывайте электрооборудование или аккумуляторы вместе с бытовым мусором! В соответствии с европейскими директивами об утилизации электрического и электронного оборудования, о батареях и аккумуляторах, а также использованных батареях и аккумуляторах и их применении в соответствии с местными законами электрооборудование, батареи и аккумуляторы, срок эксплуатации которых истек, должны утилизироваться отдельно и передаваться для утилизации на предприятие, соответствующее применяемым правилам охраны окружающей среды.

## Назначение

Данный инструмент предназначен для сбора сухой пыли.

## МЕРЫ БЕЗОПАСНОСТИ

### Правила техники безопасности при эксплуатации аккумуляторного пылесоса

**⚠ ОСТОРОЖНО: ВАЖНО! ВНИМАТЕЛЬНО ОЗНАКОМЬТЕСЬ со всеми инструкциями и рекомендациями по технике безопасности ДО НАЧАЛА РАБОТЫ.** Невыполнение инструкций и рекомендаций может привести к поражению электротоком, пожару и/или тяжелым травмам.

1. Берегите от дождя. Храните в помещении.
2. Не позволяйте использовать в качестве игрушки. Если инструмент используют дети или инструмент используется рядом с детьми, соблюдайте особую осторожность.
3. Используйте только так, как описано в настоящем руководстве. Используйте только принадлежности, рекомендованные производителем.
4. Не используйте с поврежденным аккумулятором. Если инструмент не работает должным образом, был уронен, поврежден, забыт на улице или попал в воду, отнесите его в сервисный центр.
5. Не берите инструмент мокрыми руками.
6. Не помещайте какие-либо предметы в отверстие. Не используйте, если какое-либо отверстие заблокировано. Предотвращайте попадание пыли, пуха, волос и других материалов, способных уменьшить поток воздуха.
7. Держите волосы, свободную одежду, пальцы и другие части тела подальше от отверстий и движущихся деталей.
8. Перед снятием аккумулятора выключите все регуляторы.

9. Проявляйте особую осторожность при чистке на лестницах.
10. Не используйте для сбора огнеопасных или воспламеняющихся жидкостей, например бензина, и не используйте там, где они могут присутствовать.
11. Для зарядки используйте только зарядное устройство, поставленное производителем.
12. Не собирайте ничего, что горит или дымится, например, окурки, спички или горячий пепел.
13. Не используйте без установленных фильтров и/или пылесборного мешка.
14. Не заряжайте аккумулятор на улице.
15. Заряжайте аккумулятор только зарядным устройством, указанным изготовителем. Зарядное устройство, подходящее для одного типа аккумуляторных блоков, может привести к пожару при его использовании с другим аккумуляторным блоком.
16. Используйте электроинструмент только с указанными аккумуляторными блоками. Использование других аккумуляторных блоков может привести к травме или пожару.
17. Когда аккумуляторный блок не используется, храните его отдельно от металлических предметов, таких как скрепки, монеты, ключи, гвозди, шурупы или другие небольшие металлические предметы, которые могут привести к короткому замыканию контактов аккумуляторного блока.
18. При неправильном обращении из аккумуляторного блока может потечь жидкость. Избегайте контакта с ней. В случае контакта с кожей промойте место контакта обильным количеством воды.
19. Не используйте поврежденные или модифицированные инструменты и аккумуляторные блоки. Поврежденные или модифицированные аккумуляторы могут работать некорректно, что может привести к пожару, взрыву или травмированию.
20. Не подвергайте аккумуляторный блок или инструмент воздействию огня или высокой температуры. Воздействие огня или температуры выше 130 °C может привести к взрыву.
21. Следуйте всем инструкциям по зарядке и не заряжайте аккумуляторный блок или инструмент при температурных условиях, выходящих за пределы диапазона, указанного в инструкции. Зарядка ненадлежащим образом или при температурных условиях, выходящих за пределы указанного диапазона, может привести к повреждению батареи и повысить риск пожара.

## СОХРАНИТЕ ДАННЫЕ ИНСТРУКЦИИ.

## ДОПОЛНИТЕЛЬНЫЕ ПРАВИЛА ТЕХНИКИ БЕЗОПАСНОСТИ

Этот инструмент предназначен для домашнего использования.

1. Перед использованием внимательно прочитайте это руководство по эксплуатации и руководство по эксплуатации зарядного устройства.
2. Запрещается собирать следующие материалы:
  - горячие материалы (напр., зажженные сигареты) или искры/стружку при шлифовке/резании металла
  - горючие материалы (например, бензин, растворитель, бензол, керосин или краска)
  - взрывоопасные материалы (например, нитроглицерин)
  - воспламеняющиеся материалы (например, алюминий, цинк, магний, титан, фосфор или целлулоид)
  - жидкую грязь, воду, масло и подобные материалы
  - твердые частицы с острыми краями (например, древесные стружки, металлы, камни, стекла, гвозди, штифты или бритвы)
  - пыль от цемента или тонера
  - электропроводящую пыль (например, металлов или угля)
  - тонкодисперсные частицы (например, пыль от бетона)

Подобные действия могут привести к пожару, травмам и/или повреждению имущества.

3. Немедленно прекратите работу, если вы заметили какие-либо отклонения.
4. Тщательно проверьте пылесос перед началом эксплуатации на предмет наличия трещин и повреждений, если вы уронили или ударили его.
5. Не подносите близко к печам и источникам тепла.
6. Не блокируйте входные и вентиляционные отверстия.

## СОХРАНИТЕ ДАННЫЕ ИНСТРУКЦИИ.

### Важные правила техники безопасности для работы с аккумуляторным блоком

1. Перед использованием аккумуляторного блока прочитайте все инструкции и предупреждающие надписи на (1) зарядном устройстве, (2) аккумуляторном блоке и (3) инструменте, работающем от аккумуляторного блока.
2. Не разбирайте блок аккумулятора и не меняйте его конструкцию. Это может привести к пожару, перегреву или взрыву.

3. Если время работы аккумуляторного блока значительно сократилось, немедленно прекратите работу. В противном случае, может возникнуть перегрев блока, что приведет к ожогам и даже к взрыву.
  4. В случае попадания электролита в глаза промойте их обильным количеством чистой воды и немедленно обратитесь к врачу. Это может привести к потере зрения.
  5. Не замыкайте контакты аккумуляторного блока между собой:
    - (1) Не прикасайтесь к контактам какими-либо токопроводящими предметами.
    - (2) Не храните аккумуляторный блок в контейнере вместе с другими металлическими предметами, такими как гвозди, монеты и т. п.
    - (3) Не допускайте попадания на аккумуляторный блок воды или дождя.
- Замыкание контактов аккумуляторного блока между собой может привести к возникновению большого тока, перегреву, возможным ожогам и даже поломке блока.
6. Не храните и не используйте инструмент и аккумуляторный блок в местах, где температура может достигать или превышать 50 °C (122 °F).
  7. Не бросайте аккумуляторный блок в огонь, даже если он сильно поврежден или полностью вышел из строя. Аккумуляторный блок может взорваться под действием огня.
  8. Запрещено вбивать гвозди в блок аккумулятора, резать, ломать, бросать, ронять блок аккумулятора или ударять его твердым предметом. Это может привести к пожару, перегреву или взрыву.
  9. Не используйте поврежденный аккумуляторный блок.
  10. Входящие в комплект литий-ионные аккумуляторы должны эксплуатироваться в соответствии с требованиями законодательства об опасных товарах.

При коммерческой транспортировке, например, третьей стороной или экспедитором, необходимо нанести на упаковку специальные предупреждения и маркировку.

В процессе подготовки устройства к отправке обязательно проконсультируйтесь со специалистом по опасным материалам. Также соблюдайте местные требования и нормы. Они могут быть строже.

Закройте или закрепите разомкнутые контакты и упакуйте аккумулятор так, чтобы он не перемещался по упаковке.
  11. Для утилизации блока аккумулятора извлеките его из инструмента и утилизируйте безопасным способом. Выполняйте требования местного законодательства по утилизации аккумуляторного блока.
  12. Используйте аккумуляторы только с продукцией, указанной Makita. Установка аккумуляторов на продукцию, не соответствующую требованиям, может привести к пожару, перегреву, взрыву или утечке электролита.

13. Если инструментом не будут пользоваться в течение длительного периода времени, извлеките аккумулятор из инструмента.
14. Во время и после использования блок аккумулятора может нагреваться, что может стать причиной ожогов или низкотемпературных ожогов. Будьте осторожны при обращении с горячим блоком аккумулятора.
15. Не прикасайтесь к контактам инструмента сразу после использования, поскольку они могут быть достаточно горячими, чтобы вызвать ожоги.
16. Не допускайте, чтобы обломки, пыль или земля прилипали к контактам, отверстиям и пазам на блоке аккумулятора. Это может привести к снижению эксплуатационных параметров, поломке инструмента или блока аккумулятора.
17. Если инструмент не рассчитан на использование вблизи высоковольтных линий электропередач, не используйте блок аккумулятора вблизи высоковольтных линий электропередач. Это может привести к неисправности, поломке инструмента или блока аккумулятора.
18. Храните аккумулятор в недоступном для детей месте.

## СОХРАНИТЕ ДАННЫЕ ИНСТРУКЦИИ.

**ВНИМАНИЕ:** Используйте только фирменные аккумуляторные батареи Makita. Использование аккумуляторных батарей, не произведенных Makita, или батарей, которые были подвергнуты модификациям, может привести к взрыву аккумулятора, пожару, травмам и повреждению имущества. Это также автоматически аннулирует гарантию Makita на инструмент и зарядное устройство Makita.

## Советы по обеспечению максимального срока службы аккумулятора

1. Заряжайте блок аккумуляторов перед его полной разрядкой. Обязательно прекратите работу с инструментом и зарядите блок аккумуляторов, если вы заметили снижение мощности инструмента.
2. Никогда не подзаряжайте полностью заряженный блок аккумуляторов. Перезарядка сокращает срок службы аккумулятора.
3. Заряжайте блок аккумуляторов при комнатной температуре в 10 - 40 °C (50 - 104 °F). Перед зарядкой горячего блока аккумуляторов дайте ему остыть.
4. Если блок аккумулятора не используется, извлеките его из инструмента или зарядного устройства.
5. Зарядите ионно-литиевый аккумуляторный блок, если вы не будете пользоваться инструментом длительное время (более шести месяцев).

## ОПИСАНИЕ РАБОТЫ

**ВНИМАНИЕ:** Перед регулировкой или проверкой функций инструмента обязательно убедитесь, что он выключен и его аккумуляторный блок снят.

**ВНИМАНИЕ:** Соблюдайте осторожность, чтобы при установке аккумулятора не защемить пальцы между пылесосом и аккумулятором. Защемление пальцев может привести к травме.

## Установка или снятие блока аккумуляторов

**ВНИМАНИЕ:** Обязательно выключайте инструмент перед установкой и извлечением аккумуляторного блока.

**ВНИМАНИЕ:** При установке и извлечении аккумуляторного блока крепко удерживайте инструмент и аккумуляторный блок. Если не соблюдать это требование, они могут выскользнуть из рук, что приведет к повреждению инструмента, аккумуляторного блока и травмированию оператора.

► **Рис.1:** 1. Красный индикатор 2. Кнопка 3. Блок аккумулятора

Для снятия аккумуляторного блока нажмите кнопку на лицевой стороне и извлеките блок.

Для установки аккумуляторного блока совместите выступ аккумуляторного блока с пазом в корпусе и задвиньте его на место. Устанавливайте блок до упора так, чтобы он зафиксировался на месте с небольшим щелчком. Если вы можете видеть красный индикатор на верхней части клавиши, адаптер аккумулятора не полностью установлен на месте.

**ВНИМАНИЕ:** Обязательно устанавливайте аккумуляторный блок до конца, чтобы красный индикатор не был виден. В противном случае аккумуляторный блок может выпасть из инструмента и нанести травму вам или другим людям.

**ВНИМАНИЕ:** Не прилагайте чрезмерных усилий при установке аккумуляторного блока. Если блок не двигается свободно, значит он вставлен неправильно.

## Система защиты инструмента/ аккумулятора

На инструменте предусмотрена система защиты инструмента/аккумулятора. Она автоматически отключает питание двигателя для продления срока службы инструмента и аккумулятора. Инструмент автоматически остановится во время работы при возникновении указанных ниже ситуаций, влияющих на работу самого инструмента или аккумулятора. В некоторых ситуациях загорается индикаторная лампа.

► **Рис.2:** 1. Индикаторная лампа

## Защита от перегрузки

При работе в режиме, чрезмерно повышающем потребление тока, инструмент автоматически остановится, а индикатор загорится приблизительно на 60 секунд. В этом случае выключите инструмент и прекратите работу, из-за которой произошла перегрузка инструмента. Затем включите инструмент для перезапуска.

## Защита от перегрева

При перегреве инструмента/аккумулятора инструмент останавливается автоматически, а индикатор аккумулятора загорается и продолжает гореть приблизительно 60 секунд. Инструмент не запустится даже при включении и повторном включении. В этом случае дайте аккумулятору остыть перед повторным включением инструмента.

## Защита от переразрядки

При низком заряде аккумулятора индикатор начинает мигать. При дальнейшем использовании инструмент останавливается, а индикатор загорается примерно на 60 секунд. При включении инструмента электродвигатель запускается, но вскоре останавливается. В этом случае следует зарядить блок аккумулятора.

**ПРИМЕЧАНИЕ:** Время, через которое загорается индикатор, зависит от температуры на рабочем месте и состояния блока аккумулятора.

## Индикация оставшегося заряда аккумулятора

Только для блоков аккумулятора с индикатором

► Рис.3: 1. Индикаторы 2. Кнопка проверки

Нажмите кнопку проверки на аккумуляторном блоке для проверки заряда. Индикаторы загорятся на несколько секунд.

Индикаторы			Уровень заряда
Горит	Выкл.	Мигает	
■ ■ ■ ■ ■			от 75 до 100%
■ ■ ■ ■ □			от 50 до 75%
■ ■ ■ □ □			от 25 до 50%
■ □ □ □ □			от 0 до 25%
▬ □ □ □ □			Зарядите аккумуляторную батарею.
■ ■ □ □ □			Возможно, аккумуляторная батарея неисправна.
□ □ ■ ■ ■			

**ПРИМЕЧАНИЕ:** В зависимости от условий эксплуатации и температуры окружающего воздуха индикация может незначительно отличаться от фактического значения.

## Действие выключателя

► Рис.4: 1. Кнопка "Вкл./Изменения скорости" 2. Кнопка "Выкл."

Для включения пылесоса просто нажмите кнопку "Вкл./Изменения скорости. Чтобы выключить инструмент, нажмите кнопку "Выкл.". Вы можете изменить скорость пылесоса за три шага путем нажатия кнопки "Вкл./Изменения скорости. Первое нажатие на эту кнопку включает режим высокой скорости, второе — режим максимальной скорости, а третье — нормальной. Каждое последующее нажатие попеременно повторяет цикл высокой/максимальной/нормальной скорости.

## СБОРКА

**▲ВНИМАНИЕ:** Перед проведением каких-либо работ с инструментом обязательно убедитесь, что инструмент отключен, а блок аккумулятора снят.

## Пылесборный мешок и бумажный фильтр

Перед использованием пылесоса установите либо пылесборный мешок, либо бумажный фильтр. При установке пылесборного мешка или бумажного фильтра используйте заглушку для пыли. Пылесборный мешок можно использовать повторно много раз, очищая его. Бумажный фильтр необходимо выбрасывать после использования. Выбросьте бумажный фильтр, когда он заполнится, не опорожняая его.

**ПРИМЕЧАНИЕ:** Во избежание попадания пыли в мотор:

- Перед использованием инструмента убедитесь в наличии установленного пылесборного мешка или бумажного фильтра.
- При установке пылесборного мешка или бумажного фильтра также установите заглушку для пыли в слоты до фиксации.
- Не используйте поврежденный или разорванный мешок.

Несоблюдение данной инструкции может привести к повреждению двигателя.

**ПРИМЕЧАНИЕ:** При установке бумажного фильтра не сгибайте картонные части на его отверстия.

**ПРИМЕЧАНИЕ:** Никогда не выбрасывайте заглушку для пыли, потому что она предназначена для повторного использования с пылесборным мешком и с бумажным фильтром.

**ПРИМЕЧАНИЕ:** Бумажный фильтр пылесоса — это важный компонент для сохранения работоспособности инструмента. Использование бумажных фильтров других производителей может привести к появлению дыма или возгоранию.

## Установка пылесборного мешка

При установке пылесборного мешка используйте заглушку для пыли. Будьте внимательны, чтобы не перепутать верхнюю и нижнюю части, потому что они отличаются друг от друга.

- **Рис.5:** 1. Верхняя часть заглушки для пыли  
2. Нижняя часть заглушки для пыли

1. Вставьте пылесборный мешок выступом в паз на заглушке для пыли, как показано на рисунке.

Нижняя и верхняя стороны пылесборного мешка одинаковы. Вы можете вставить его выступ любой стороной в паз на заглушке для пыли.

- **Рис.6:** 1. Заглушка для пыли 2. Паз  
3. Пылесборный мешок

2. Перекройте рамку заглушки для пыли рамкой пылесборного мешка.

► **Рис.7**

3. Поместите одновременно заглушку для пыли и пылесборный мешок в углубление в пылесосе в направлении стрелки на заглушке для пыли. Вставьте их до упора в слоты углубления в пылесосе.

► **Рис.8:** 1. Канавка

4. Поместите всю тканевую часть пылесборного мешка внутрь самого устройства.

► **Рис.9**

5. Полностью закройте крышку пылезащитного кожуха.

► **Рис.10:** 1. Крышка пылезащитного кожуха

**ПРИМЕЧАНИЕ:** Если пылесборный мешок не установлен в пылесос, крышка пылезащитного кожуха не закроется полностью.

## Установка бумажного фильтра

При установке бумажного фильтра используйте также заглушку для пыли. Будьте внимательны, чтобы не перепутать верхнюю и нижнюю части, потому что они отличаются друг от друга.

- **Рис.11:** 1. Верхняя часть заглушки для пыли  
2. Нижняя часть заглушки для пыли

1. Разверните входную часть бумажного фильтра перед тем, как устанавливать его на заглушку для пыли.

► **Рис.12**

2. Вставьте выступ на бумажном фильтре в паз на заглушке для пыли, как показано на рисунке.

Нижняя и верхняя стороны бумажного фильтра одинаковы. Вы можете вставить его выступ любой стороной в паз на заглушке для пыли.

- **Рис.13:** 1. Заглушка для пыли 2. Паз  
3. Бумажный фильтр

3. Перекройте рамку заглушки для пыли рамкой бумажного фильтра.

► **Рис.14**

4. Поместите одновременно заглушку для пыли и бумажный фильтр в углубление в пылесосе в направлении стрелки на заглушке для пыли. Вставьте их до упора в слоты углубления в пылесосе.

► **Рис.15:** 1. Канавка

5. Поместите всю тканевую часть бумажного мешка внутрь самого устройства.

► **Рис.16**

6. Полностью закройте крышку пылезащитного кожуха.

► **Рис.17:** 1. Крышка пылезащитного кожуха

**ПРИМЕЧАНИЕ:** Если бумажный фильтр не установлен в пылесос, крышка пылезащитного кожуха не закроется полностью.

## Присоединение плечевого ремня

**ВНИМАНИЕ:** Следите за тем, чтобы плечевой ремень не зацепился за окружающие предметы.

**ВНИМАНИЕ:** Следите за тем, чтобы плечевой ремень не соскочил с плеча при использовании пылесоса. Для надежной фиксации пылесоса рекомендуется надевать плечевой ремень через плечо.

Закрепите крючки плечевого ремня на креплениях пылесоса, как показано на рисунке.

- **Рис.18:** 1. Плечевой ремень 2. Крючок  
3. Крепление

**ПРИМЕЧАНИЕ:** Вы можете также пристегнуть плечевой ремень к мягкой сумке (дополнительная принадлежность), как показано на рисунке.

- **Рис.19:** 1. Плечевой ремень 2. Мягкая сумка

## ЭКСПЛУАТАЦИЯ

**ВНИМАНИЕ:** При перемещении пылесоса держитесь за ручку. Если при перемещении держаться за насадку, она может соскочить с пылесоса и привести к травме.

**ВНИМАНИЕ:** Не используйте устройство во время управления автомобилем или при работающем двигателе.

**ВНИМАНИЕ:** Не беритесь за соединение шланга, как показано на рисунке. Это может привести к защемлению пальцев.

- **Рис.20:** 1. Соединение шланга

## Использование в качестве пылесоса

**ПРИМЕЧАНИЕ:** Удалите воздуходушку перед началом уборки пылесосом. Если воздуходушка установлена на пылесос, мощность всасывания может снизиться.



## Установка или удаление насадки пылесоса

Для подсоединения дополнительной принадлежности, например насадки, проверните ее и вставьте в шланг до полной фиксации. Для отсоединения поверните ее и снимите.

Способ установки зависит от насадок (показано на рисунке).

- **Рис.21:** 1. Шланг 2. Резиновая насадка 3. Мягкая щетка 4. Насадка для очистки сиденья 5. Насадка для ковриков

## Очистка пылесосом

### Резиновая насадка

Этой насадкой удобно очищать углы внизу, например в дверной раме. Резиновая насадка предназначена для деликатной очистки поверхности.

- **Рис.22:** 1. Резиновая насадка

### Мягкая щетка

Этой насадкой удобно очищать вентиляционные отверстия кондиционеров, панель приборов и т. д. Головку мягкой щетки можно поворачивать под прямым углом.

- **Рис.23:** 1. Мягкая щетка

### Насадка для очистки сиденья

У этой насадки есть щетка для ворса, предназначенная для очистки сидений. Боковой щеткой на насадке удобно удалять пыль из швов.

- **Рис.24:** 1. Насадка для очистки сиденья 2. Боковая щетка

### Насадка для ковриков

Эта насадка предназначена для очистки ковриков для пола и ковров. Зубчики на насадке помогают собирать песчинки.

- **Рис.25:** 1. Насадка для ковриков

**ПРИМЕЧАНИЕ:** Для очистки ковриков используйте насадку для ковриков. Использование насадки для ковриков для очистки другого материала может привести к появлению царапин на его поверхности.

### Чистка без насадки

Очистку пылесосом можно выполнять без использования насадки.

- **Рис.26**

### Удаление пыли

**ВНИМАНИЕ:** Опорожняйте пылесборный мешок или заменяйте бумажный фильтр до того, как он полностью заполнится. В противном случае мощность всасывания/обдувания снизится.

**ВНИМАНИЕ:** Закрывая крышку пылезащитного кожуха, следите за тем, чтобы не защемить пальцы.

**ПРИМЕЧАНИЕ:** Не выбрасывайте заглушку для пыли, поскольку она должна использоваться как с пылесборным мешком, так и с бумажным фильтром.

**ПРИМЕЧАНИЕ:** Если пылесборный мешок/бумажный фильтр не установлен в пылесос, крышка пылезащитного кожуха не закроется полностью. Не прилагайте чрезмерных усилий при закрытии крышки пылезащитного кожуха. Это может привести к деформации или поломке инструмента.

**ПРИМЕЧАНИЕ:** При очистке от пыли не забудьте очистить отсек для пылесборного мешка / бумажного фильтра. Оставшаяся пыль и грязь в отсеке может привести к засорению губчатого фильтра или повреждению двигателя.

1. Откройте крышку пылезащитного кожуха.

- **Рис.27:** 1. Крышка пылезащитного кожуха

2. Вытяните одновременно оранжевую крышку и пылесборный мешок / бумажный фильтр.

- **Рис.28:** 1. Заглушка для пыли

3. При использовании пылесборного мешка Удалите заглушку для пыли и опорожните пылесборный мешок.

- **Рис.29:** 1. Заглушка для пыли 2. Пылесборный мешок

### При использовании бумажного фильтра

Удалите заглушку для пыли и опорожните бумажный фильтр.

- **Рис.30:** 1. Заглушка для пыли 2. Бумажный фильтр

4. Установите пылесборный мешок / новый бумажный фильтр и заглушку для пыли в пылесос и закройте крышку пылезащитного кожуха.

## Использование в качестве воздуходувки

**ВНИМАНИЕ:** Не направляйте выходное отверстие инструмента на близко стоящих людей.

**ВНИМАНИЕ:** Чтобы не допустить вдыхания пыли, рекомендуется открывать окна, а также надевать защитные очки и маску во время работы.

**ВНИМАНИЕ:** Не тяните за насадку воздуходувки. Она может соскочить с пылесоса.

**ВНИМАНИЕ:** Не используйте пылесос для накачивания предметов, например надувных плотов, мячей или других надувных изделий. Повышение частоты вращения двигателя может привести к опасной поломке вентилятора.

**ВНИМАНИЕ:** Не закрывайте всасывающее и (или) выпускное отверстие воздуходувки. Не допускайте засорения всасывающего или выпускного отверстия воздуходувки пылью или грязью во время работы на пыльных участках.

**ВНИМАНИЕ:** Используйте только насадки, предоставленные компанией Makita.



## Установка или удаление насадки воздуходувки

Для установки насадки воздуходувки совместите выступ в гнезде насадки с пазом на вентиляционном отверстии и нажмите до щелчка.

► **Рис.31:** 1. Насадка воздуходувки

Для удаления насадки воздуходувки надавите в месте соединения вниз, вставляя верхнюю часть, как показано на рисунке.

► **Рис.32**

## Обдувание

Направьте конец насадки воздуходувки на объект, который необходимо обдуть, и включите инструмент.

► **Рис.33**

## ОБСЛУЖИВАНИЕ

**▲ВНИМАНИЕ:** Перед проведением проверки или работ по техобслуживанию всегда проверяйте, что инструмент выключен, а блок аккумуляторов снят.

**ПРИМЕЧАНИЕ:** Запрещается использовать бензин, растворители, спирт и другие подобные жидкости. Это может привести к обесцвечиванию, деформации и трещинам.

Для обеспечения БЕЗОПАСНОСТИ и НАДЕЖНОСТИ оборудования ремонт, любое другое техобслуживание или регулировку необходимо производить в уполномоченных сервис-центрах Makita или сервис-центрах предприятия с использованием только сменных частей производства Makita.

## Очистка

Время от времени протирайте внешнюю часть (корпус) пылесоса с помощью тряпки, смоченной мыльной водой.

Также очищайте всасывающее отверстие, область крепления пылесборного мешка/бумажного фильтра и заглушку для пыли.

► **Рис.34**

Когда в фильтре скопится пыль и мощность всасывания пылесоса снизится, промойте пылесборный мешок в мыльной воде. Тщательно высушите его перед использованием. Не полностью высушенный фильтр может привести к плохому всасыванию и уменьшить срок службы мотора.

► **Рис.35**

**ПРИМЕЧАНИЕ:** Бумажный фильтр необходимо выбрасывать после использования.

Когда губчатый фильтр загрязнится пылью, извлеките его из пылесоса, а затем вытряхните его или промойте водой.

## Снятие и установка губчатого фильтра

**▲ВНИМАНИЕ:** После очистки губчатого фильтра обязательно установите его в пылесос. Если вы промывали его водой, перед установкой высушите его. Неполностью высушенный губчатый фильтр может сократить срок службы мотора.

Для удаления губчатого фильтра извлеките пылесборный мешок или бумажный фильтр, а затем зажмите и вытащите его.

► **Рис.36:** 1. Губчатый фильтр

Нажмите по всей кромке губчатого фильтра вдоль утопленной панели внутри области установки пылесборного мешка/бумажного фильтра.

► **Рис.37:** 1. Стенка с углублением

## Хранение

**▲ОСТОРОЖНО:** Не оставляйте блок аккумулятора и зарядное устройство в автомобиле. Температура внутри находящегося на солнце автомобиля может превысить 50 °C (122 °F). Это может привести к повреждению блока аккумулятора и выбросу жидкости, выделению дыма или возгоранию.

► **Рис.38**

**▲ОСТОРОЖНО:** Не используйте зарядное устройство, не вынув его из мешка для хранения. Закупорка вентиляционного отверстия может привести к выделению дыма или возгоранию.

► **Рис.39**

**▲ОСТОРОЖНО:** Не заряжайте блок аккумулятора инвертором, имеющемся в автомобиле. Это может привести к перегреву и возгоранию.

**▲ОСТОРОЖНО:** Не заряжайте блок аккумулятора в автомобиле. Если блок аккумулятора подвергается воздействию температуры в диапазоне от 10 °C (50 °F) до 40 °C (104 °F), это может привести к выделению тепла, возгоранию и/или взрыву.

**▲ВНИМАНИЕ:** Чтобы не споткнуться о шланг, храните его таким образом, как показано на рисунке, когда пылесос не используется. Вы можете зацепиться ногой за несложенный шланг, что приведет к травме.

► **Рис.40:** 1. Крючок 2. Шланг

## Устранение неполадок

Перед ремонтом проверьте следующее:

Признак	Что проверить	Способ крепления
Недостаточная сила всасывания	Пылесборный мешок или бумажный фильтр заполнены пылью?	Опорожните пылесборный мешок или бумажный фильтр.
	Пылесборный мешок засорен?	Вытряхните или промойте пылесборный мешок.
	Бумажный фильтр засорен?	Замените бумажный фильтр.
	Недостаточный заряд блока аккумулятора?	Зарядите блок аккумулятора.
Не работает	Недостаточный заряд блока аккумулятора?	Зарядите блок аккумулятора.
Крышка пылезащитного кожуха не закрывается	Убедитесь в том, что пылесборный мешок или бумажный фильтр установлен.	Установите пылесборный мешок или бумажный фильтр.

**ПРИМЕЧАНИЕ:** Не пытайтесь чинить пылесос самостоятельно.

## ДОПОЛНИТЕЛЬНЫЕ ПРИНАДЛЕЖНОСТИ

**⚠ ВНИМАНИЕ:** Данные принадлежности или приспособления рекомендуются для использования с инструментом Makita, указанным в настоящем руководстве. Использование других принадлежностей или приспособлений может привести к получению травмы. Используйте принадлежность или приспособление только по указанному назначению.

Если вам необходимо содействие в получении дополнительной информации по этим принадлежностям, свяжитесь с вашим сервис-центром Makita.

- Удлиняющая труба (прямая труба)
- Насадка
- Насадка для чистки ковра
- Щетка для чистки полок
- Угловая насадка
- Круглая щетка
- Гибкий шланг
- Бумажный фильтр
- Насадка
- Насадка для очистки сиденья
- Сопло для чистки щелей
- Циклонный уловитель
- Пылесборный мешок
- Пылесборный мешок повышенной вместимости
- Мягкая сумка
- Оригинальный аккумулятор и зарядное устройство Makita

**ПРИМЕЧАНИЕ:** Некоторые элементы списка могут входить в комплект инструмента в качестве стандартных приспособлений. Они могут отличаться в зависимости от страны.

**Makita Europe N.V.** Jan-Baptist Vinkstraat 2,  
3070 Kortenberg, Belgium

**Makita Corporation** 3-11-8, Sumiyoshi-cho,  
Anjo, Aichi 446-8502 Japan

[www.makita.com](http://www.makita.com)

885803-962  
EN, SL, SQ, BG,  
HR, MK, SR, RO,  
UK, RU  
20200406