

TANGER

1




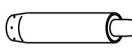







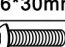
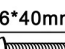
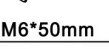
2


3

4

5

6

A		1
B		1
C+C ₁		1+1
D		1
E		1
E1		2
F		5
G		1
H		1
I	 M6*20mm	4
J	 M6*30mm	4
K	 M6*40mm	4
L	 M6*50mm	2
M	 Φ 18*Φ 6*1.5mm	6

 **max. 100 kg**

v.2